

9. SEE DRAWING 061607 FOR INSTALLATION OF GROMMETS.
8. SECURE DRAINAGE PIPES TO CABINET USING WIRE TIE 108046-02-000, AND SCREW 000G67-10-12U AT INTERVALS OF NOT OF NOT MORE THAN 4 FEET APART.
7. SECURE VENT PIPE TO FLOOR WITH CLAMP 062401-02-000 (2), SCREW 000G67-10-12U (2), BRACKET 136878-01-CHT (2).
6. VENT PIPE MUST PROJECT 51 MIN AND 64 MAX ABOVE ROOF FOR PROPER FIT AND FUNCTION. ADD S-1 (116666-01-CHT SEAL-VENT PIPE) AROUND PIPE ON ROOF BEFORE VENT CAP IS INSTALLED.
5. SEAL AROUND SHOWER WITH SILICONE.
4. USE SMOOTH PLUMBERS PUTTY 167459-01-000 TO SEAL STRAINER (0.2 PER STRAINER).
3. ALL PIPE AND FITTINGS TO BE ASSEMBLED WITH SOLVENT 004020-01-000 (USA), 004020-02-000 (CAN)
2. SLOPE OF TRAP ARM MUST BE 6 PER 305 mm.
1. SLOPE OF HORIZONTAL PIPING TO BE MINIMUM OF 3 PER 305 mm.

NOTES:

FOR DRAINAGE CALLOUTS SEE DWG NO 116229-01-000

WINNEBAGO INDUSTRIES, INC. COPYRIGHT 2014

DFT-ORIG	ORIG. DATE
CHKR	ALL DIMENSIONS ARE IN MILLIMETERS
P.E.	
M.E.	FIRST USED
DSNR	14 730J
UNSPECIFIED TOLERANCES ARE:	
WHOLE DIM (X)	: 3
ONE-PLACE (X.X)	: 1.5
TWO-PLACE (X.XX)	: 0.50
ANGLE	: 1°
THIRD ANGLE PROJECTION	
DO NOT SCALE DRAWING	REFER TO ES0018 FOR FASTENER TIGHTENING GUIDELINES
TITLE: DRAINAGE SYSTEM INSTL	
SHEET 1 OF 4	PART NO 185299 REV
REF:	1 23-Mar-2015

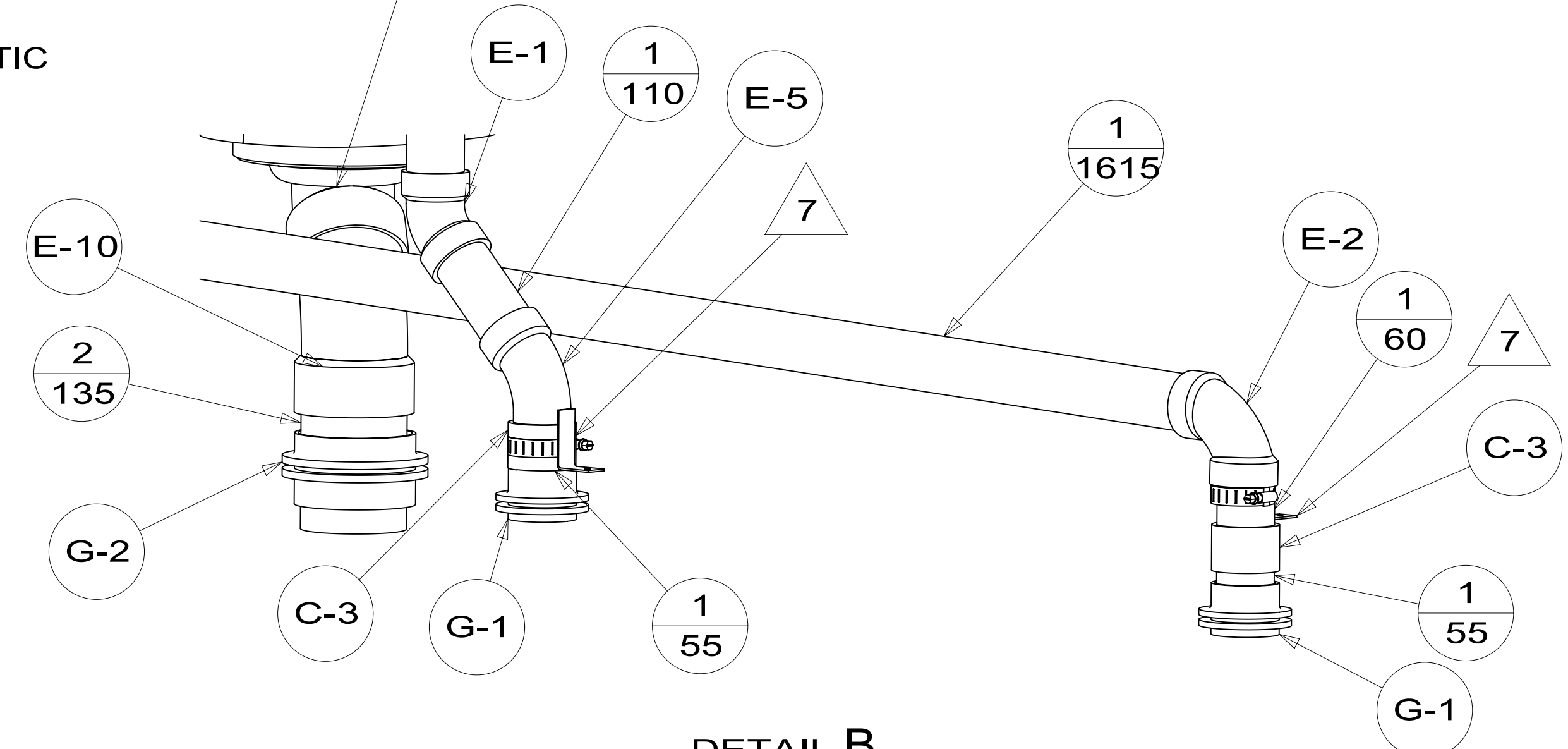
*185299 *A

SINK-GALLEY
179864-01-CHT
STRAINER-SINK
092303-01-000 (2)
ANGLE
140002-01-CHT(10)
SEAL
091255-03-000
(2130)

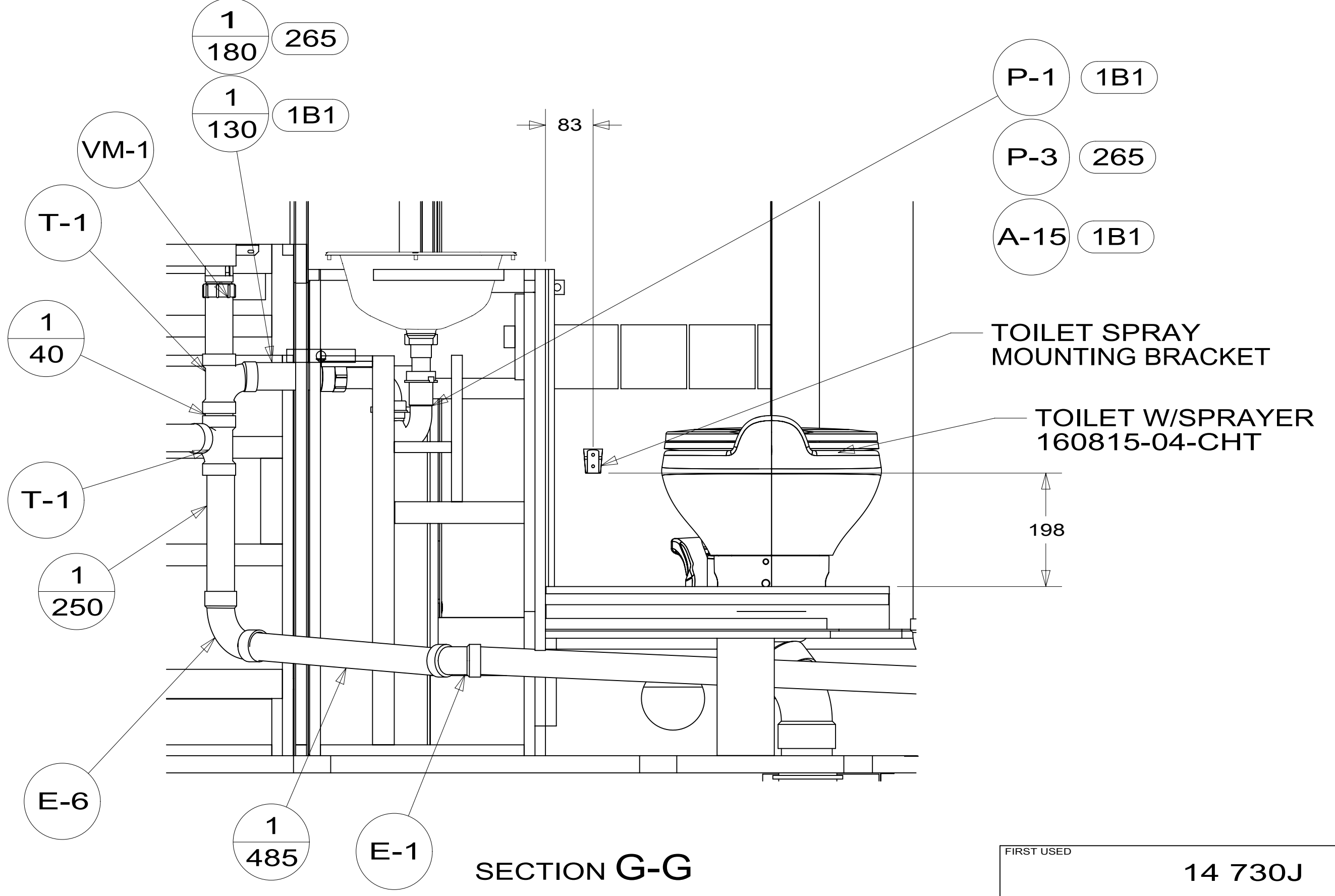
SINK-OVAL,OVAL SST
184546-01-CHT
SEAL
091255-02-000
STRAINER ASM-PLASTIC
106116-01-CHT

FLANGE-CLOSET
151541-01-000

W-2
P-1 1B1
P-3 265
A-15 1B1
1 185 1B1
1 240 265



DETAIL B
(SHOWN W/OUT CABINETS & FLOOR)



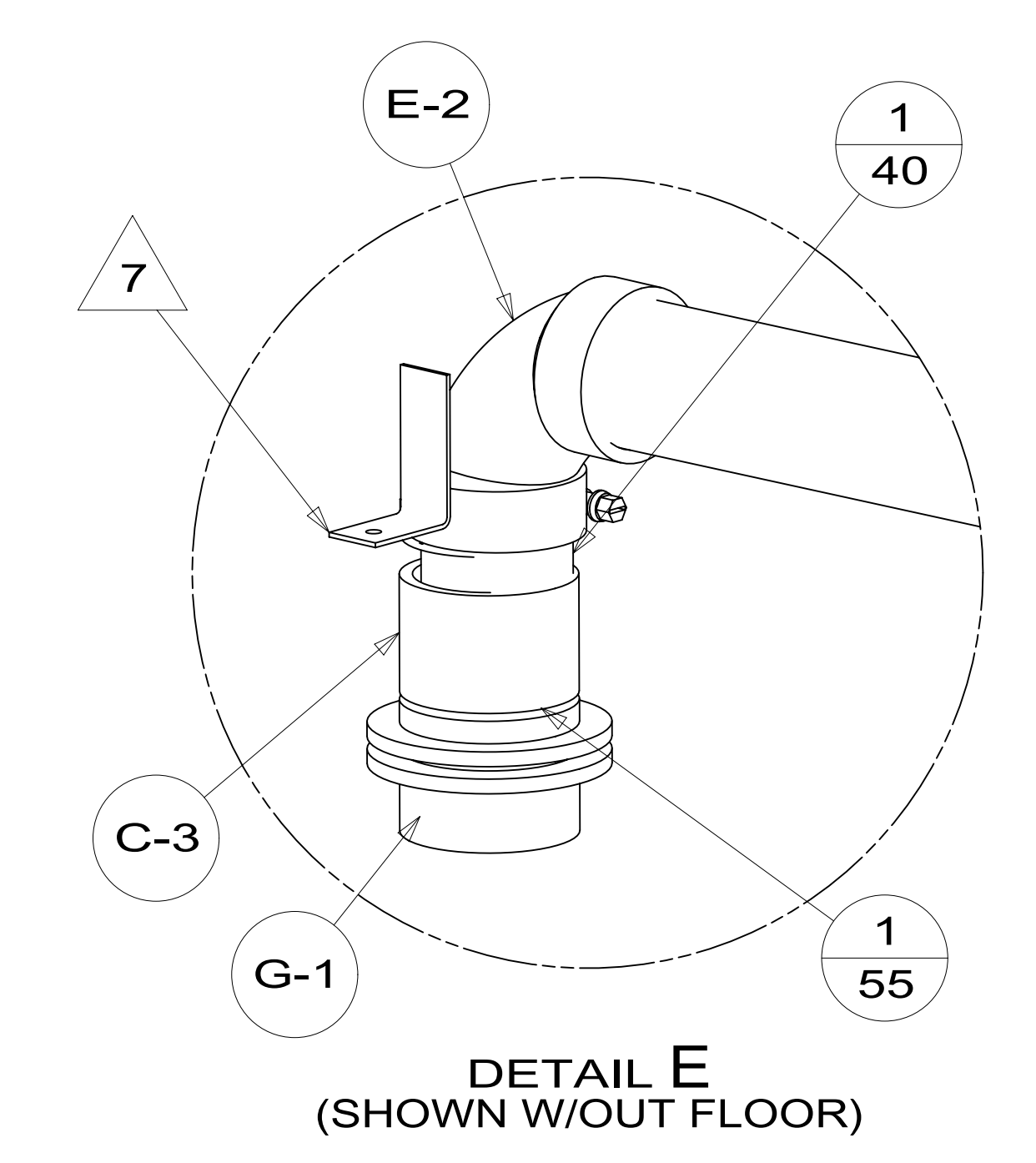
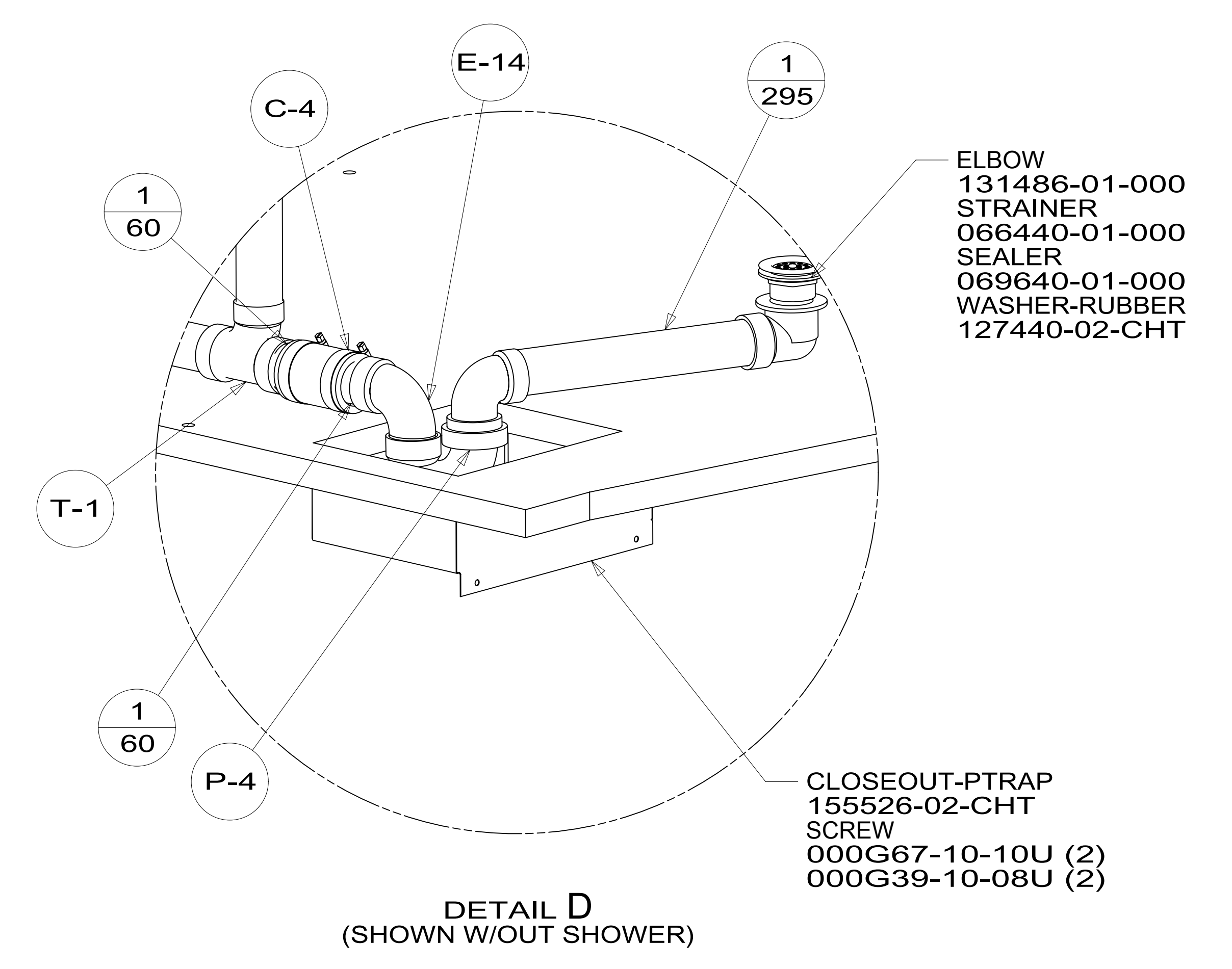
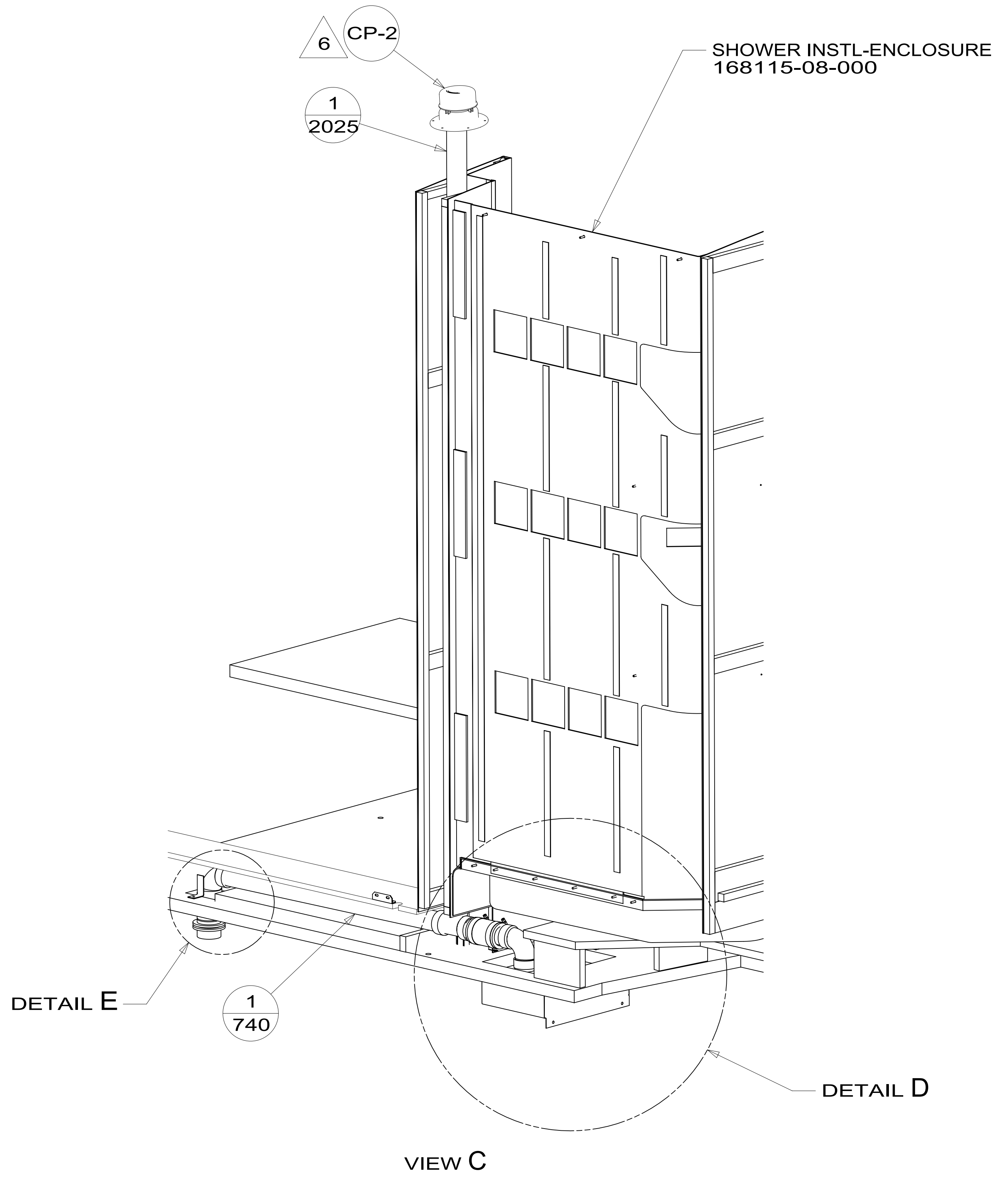
SECTION G-G

VIEW A

DETAIL B

FIRST USED	14 730J
DO NOT SCALE DRAWING	
TITLE: DRAINAGE SYSTEM INSTL	
SHEET 2	PART NO 185299 REV
1 23-Mar-2015	

185299



FIRST USED	14 730J	
TITLE:	DO NOT SCALE DRAWING	
SHEET 3	PART NO	185299
	REV	1
23-Mar-2015		

*185299 *A

ANGLE-SUPPORT, TANK
167254-01-CHT
SCREW
000G39-10-12U (2)

FOAM-SUPPORT
130223-26-000

TANK-HOLDING
165597-05-000

TANK-HOLDING
165591-02-000

DATUM
(CORNER OF FLOOR)

STRAP-TANK, HOLDING
166731-01-CHT
166731-02-CHT
BOLT
000C12-05-12U(2)
NUT
000D14-05-00U(2)
000D39-05-00U(2)

PANEL-COMPARTMENT, BOTTOM
165697-01-CHT
RIVET
118626-01-CHT (16)

INSULATION
168508-04-000

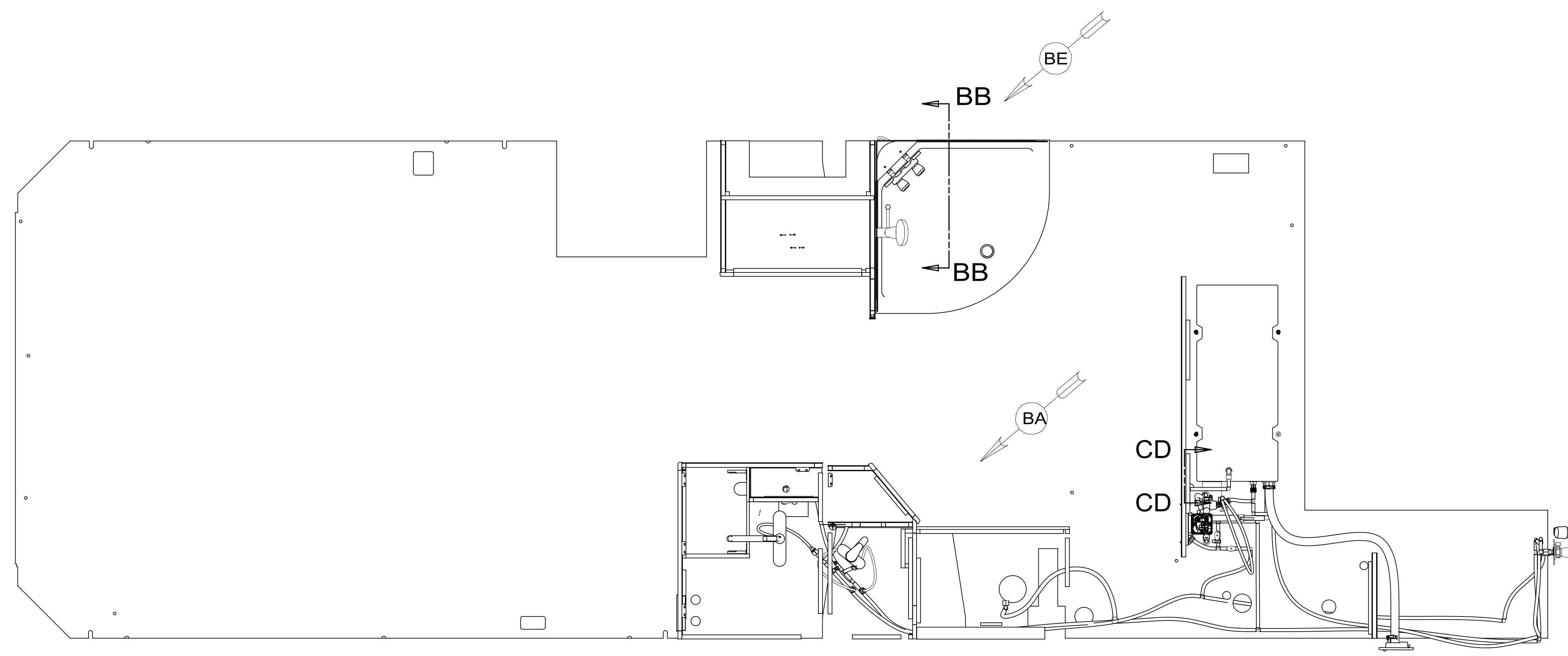
SUPPORT ASM-HOLDING TANK
167221-01-CHT
BOLT
000C12-05-20U (2)

VIEW F

F

FIRST USED	14 730J	
DO NOT SCALE DRAWING		
TITLE: DRAINAGE SYSTEM INSTL		
SHEET 4	PART NO 185299	REV
		1 23-Mar-2015

*185299 *A



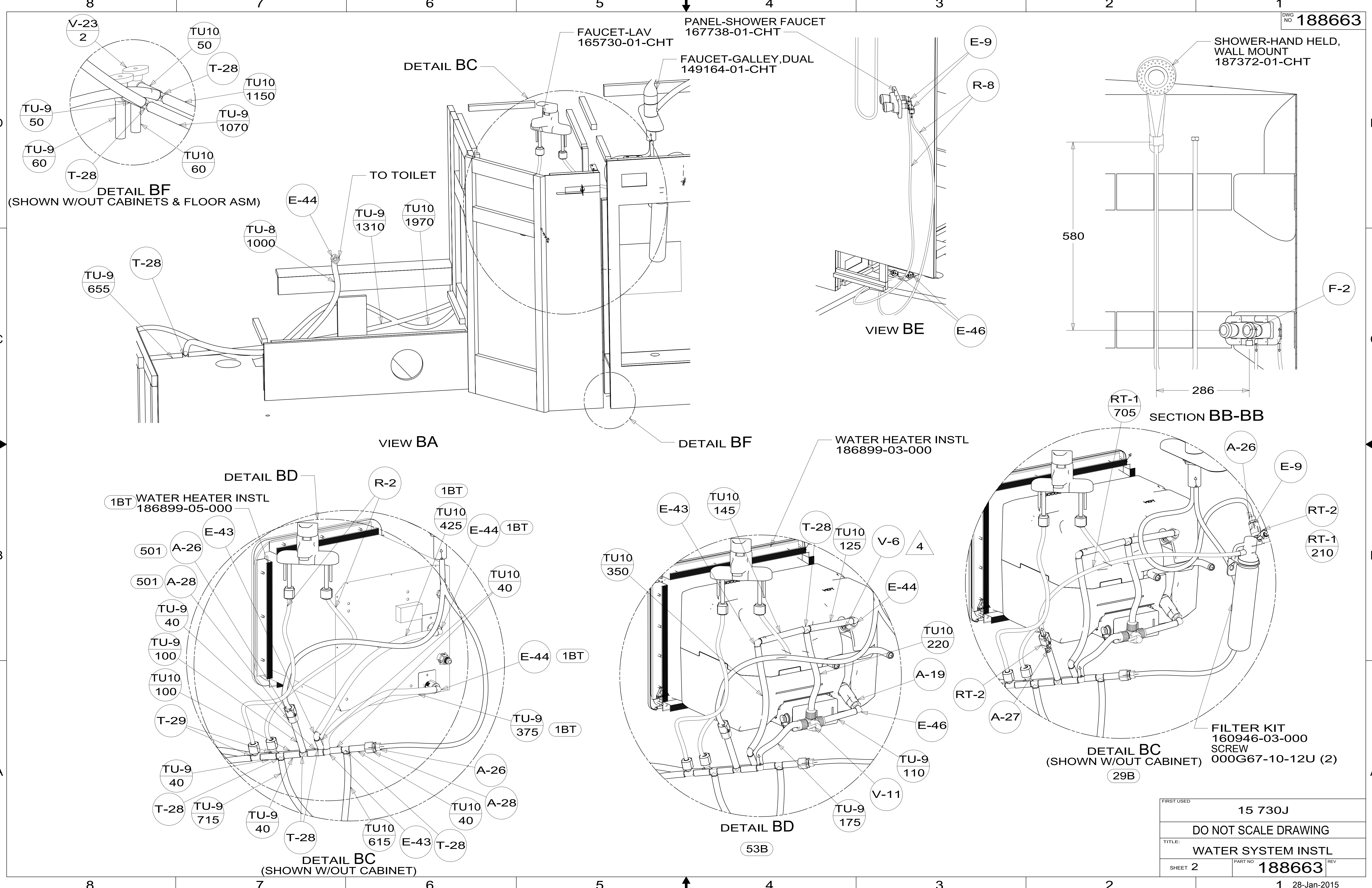
- 29B WATER PURIFIER
- 501 WATER PURIFIER WITHOUT
- 64R EXTERIOR WASH STATION
- IJ4 EXT WASH STATION-WITHOUT
- 53B WTR HTR-6 GAL ELECTRIC/LP GAS
- 1BT WATER HEATER, TANKLESS
- 54E WATER SYS WINTERIZATION PKG

- NOTES:
1. PLASTIC FITTINGS TO BE SEALED WITH SEALANT 084456-01-000.
 2. TUBING TO BE INSTALLED WITH SUFFICIENT SLOPE TO PROVIDE DRAINAGE TO NEAREST VALVE.
 3. ALL TUBING TO BE SECURED AT 1200 INTERVALS MAXIMUM WITH CLAMP 010495-01-000 AND SCREW 000G67-10-12U OR EQUIVALENT.
 4. ADD TEFLON TAPE 010405-02-000.
 5. ADD PIPE WRAP (LADDER SCRAP 110157-02-000) INSULATION.
 6. LABEL HOT AND COLD SUPPLY TUBES AND TAPE FITTING TO TUBE BEFORE CABINET SET TO PREVENT MOVEMENT.
 7. ALL CRIMP FITTINGS TO 5/8" FLEX TUBING REQUIRE 5/8" CLAMP 140171-04-000.
 8. ALL CRIMP FITTINGS TO 1/2" PEX TUBING REQUIRE 1/2" CLAMP 140171-03-000.
 9. ALL CRIMP FITTINGS TO 3/4" PEX TUBING REQUIRE 3/4" CLAMP 140171-05-000.
 10. SEAL VENT HOLE IN DOOR W/SILICONE SEALANT.

FOR WATER CALLOUTS SEE DWG NO 116230-01-000

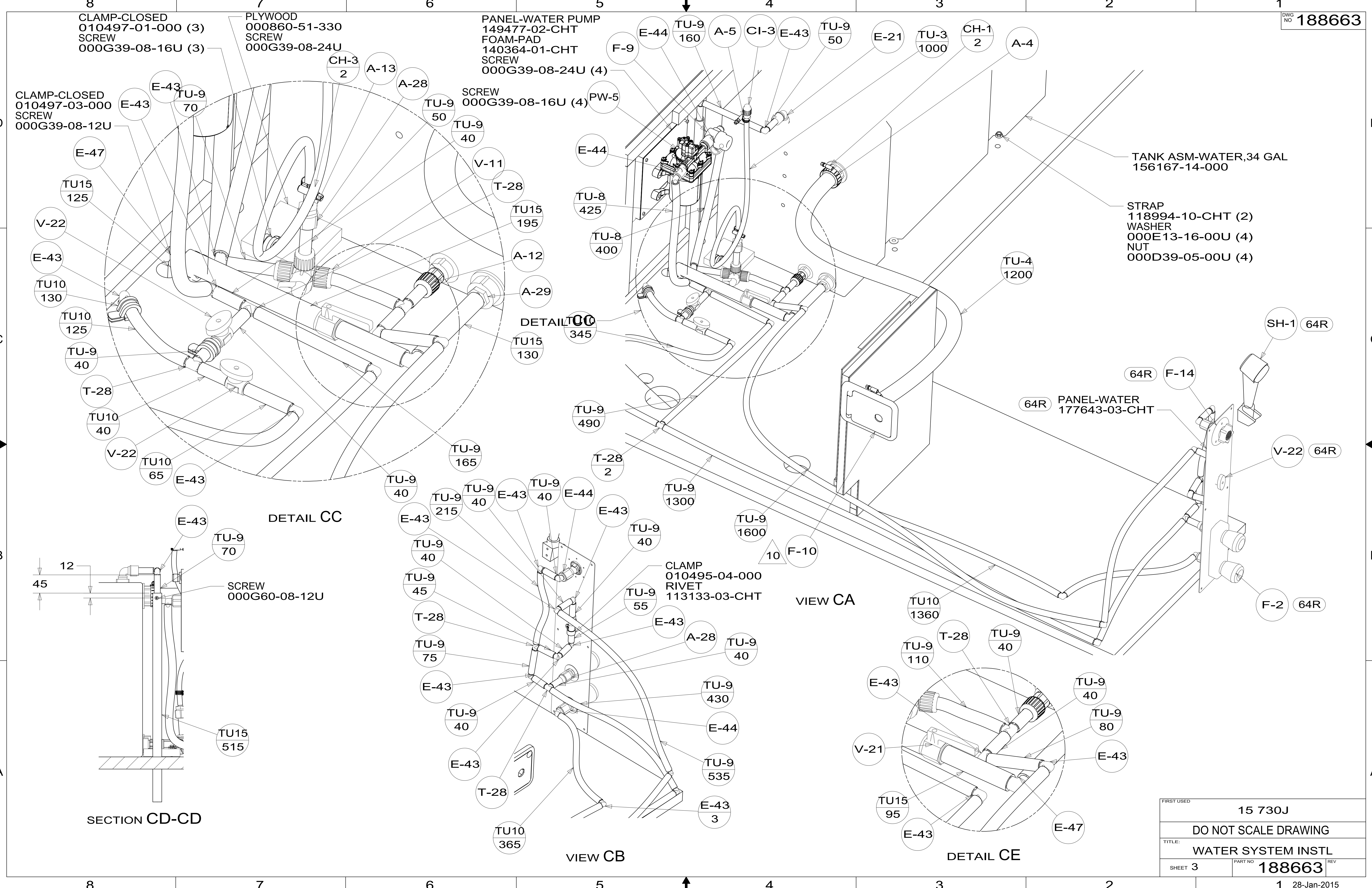
WINNEBAGO		COPYRIGHT 2014 WINNEBAGO INDUSTRIES, INC.	
DFTR	ORIG. DATE	ALL DIMENSIONS ARE IN MILLIMETERS	
CHKR			
P.E.			
M.E.	FIRST USED		
DSNR		15 730J	
UNSPECIFIED TOLERANCES ARE:		MATERIAL:	
WHOLE DIM (X)	: 3		
ONE-PLACE (X.X)	: 1.5		
TWO-PLACE (X.XX)	: 0.50		
ANGLE	: 1°		
THIRD ANGLE PROJECTION			
DO NOT SCALE DRAWING		REFER TO ES0018 FOR FASTENER TIGHTENING GUIDELINES	
TITLE: WATER SYSTEM INSTL			
SHEET 1 OF 3	PART NO 188663	REV	
REF:	1	28-Jan-2015	

188663



FIRST USED	15 730J
TITLE:	DO NOT SCALE DRAWING
	WATER SYSTEM INSTL
SHEET 2	PART NO 188663 REV
	28-Jan-2015

* 188663 A



8 CLAMP-CLOSED
010497-01-000 (3)
SCREW
000G39-08-16U (3)

7 PLYWOOD
000860-51-330
SCREW
000G39-08-24U

5 PANEL-WATER PUMP
149477-02-CHT
FOAM-PAD
140364-01-CHT
SCREW
000G39-08-24U (4)

D CLAMP-CLOSED
010497-03-000
SCREW
000G39-08-12U

SCREW
000G39-08-16U (4)

TANK ASM-WATER,34 GAL
156167-14-000

STRAP
118994-10-CHT (2)
WASHER
000E13-16-00U (4)
NUT
000D39-05-00U (4)

64R PANEL-WATER
177643-03-CHT

CLAMP
010495-04-000
RIVET
113133-03-CHT

SCREW
000G60-08-12U

SECTION CD-CD

VIEW CA

VIEW CB

DETAIL CE

FIRST USED	15 730J
TITLE:	DO NOT SCALE DRAWING
	WATER SYSTEM INSTL
SHEET 3	PART NO 188663 REV

188663 A