

9. SEE DRAWING 061607 FOR INSTALLATION OF GROMMETS.
8. SECURE DRAINAGE PIPES TO CABINET USING WIRE TIE 108046-02-000, AND SCREW 000667-10-12U AT INTERVALS OF NOT OF NOT MORE THAN 4 FEET APART.
- ▲ SECURE VENT PIPE TO FLOOR WITH CLAMP 062401-02-000 (2), SCREW 000667-10-12U (2), BRACKET 136878-01-CHT (2).
- ▲ VENT PIPE MUST PROJECT 51 MIN AND 64 MAX ABOVE ROOF FOR PROPER FIT AND FUNCTION. ADD S-1 (116666-01-CHT SEAL-VENT PIPE) AROUND PIPE ON ROOF BEFORE VENT CAP IS INSTALLED.
5. SEAL AROUND SHOWER WITH SILICONE.
- ▲ USE SMOOTH PLUMBERS PUTTY 167459-01-000 TO SEAL STRAINER (0.2 PER STRAINER).
3. ALL PIPE AND FITTINGS TO BE ASSEMBLED WITH SOLVENT 004020-01-000 (USA), 004020-02-000 (CAN)
2. SLOPE OF TRAP ARM MUST BE 6 PER 305 mm.
1. SLOPE OF HORIZONTAL PIPING TO BE MINIMUM OF 3 PER 305 mm.

NOTES:

265 CODES/STANDARDS-CSA/CMVSS
 1B1 CODES/STANDARDS USA

WINNEBAGO COPYRIGHT 2014 WINNEBAGO INDUSTRIES, INC.

DTR	ORIG. DATE
CHR	ALL DIMENSIONS ARE IN MILLIMETERS
P.E.	
W.E.	FIRST USED
DWR	15 7270
UNSPECIFIED TOLERANCES ARE:	
SIZE DIM (X)	MATERIAL
ONE-PLACE (X,XX)	1 3
TWO-PLACE (X,XXX)	1 1.5
ANGLE	0.50
	1°
THIRD ANGLE PROJECTION	

FOR DRAINAGE CALLOUTS SEE DWG NO 116229-01-000

DO NOT SCALE DRAWING REFER TO ES0016 FOR FASTENER TIGHTENING GUIDELINES

TITLE: DRAINAGE SYSTEM INSTL

SHEET 1 of 4 PART NO 189177 REV

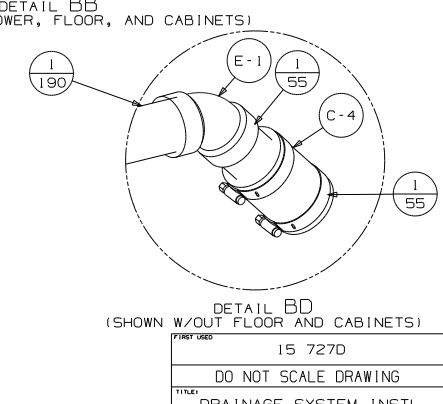
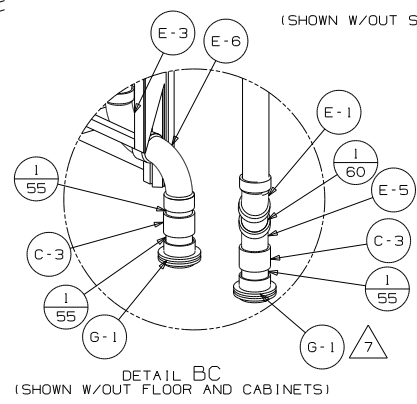
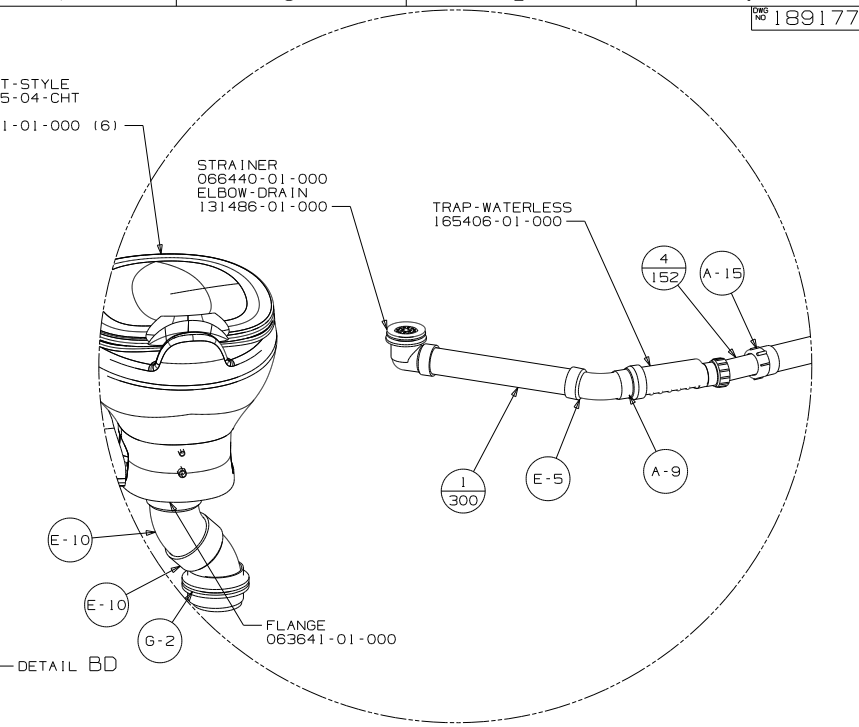
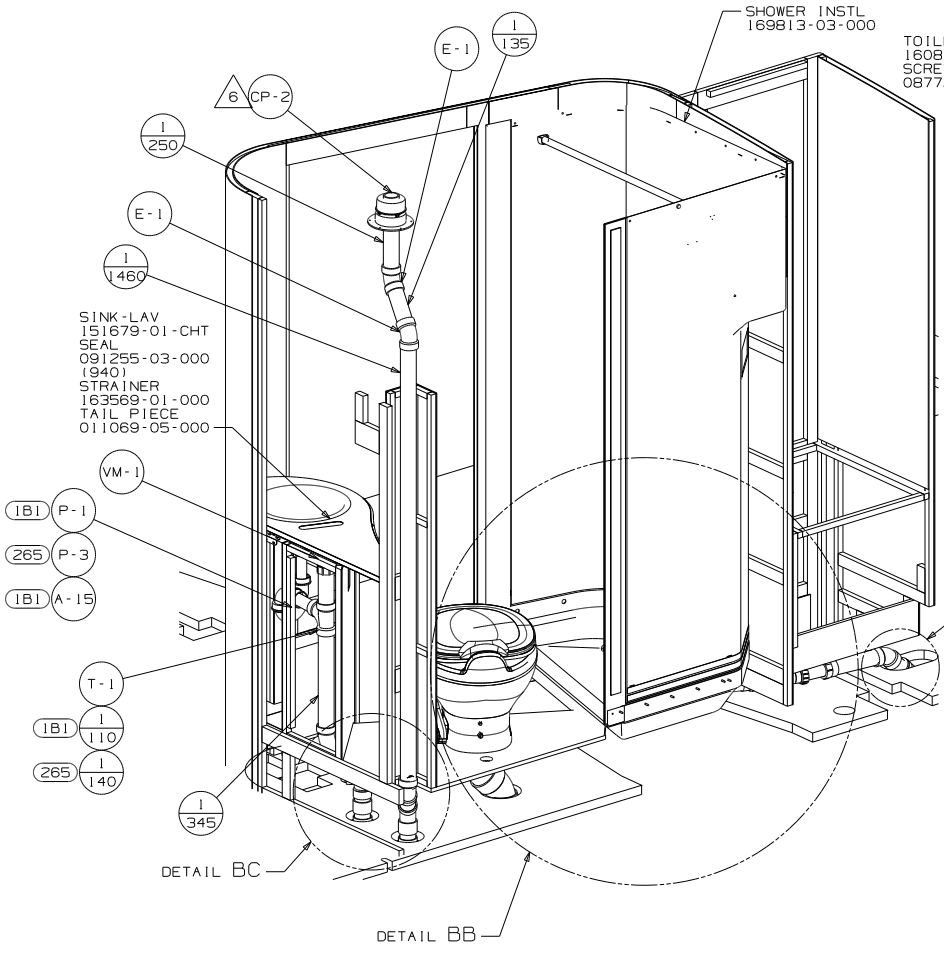
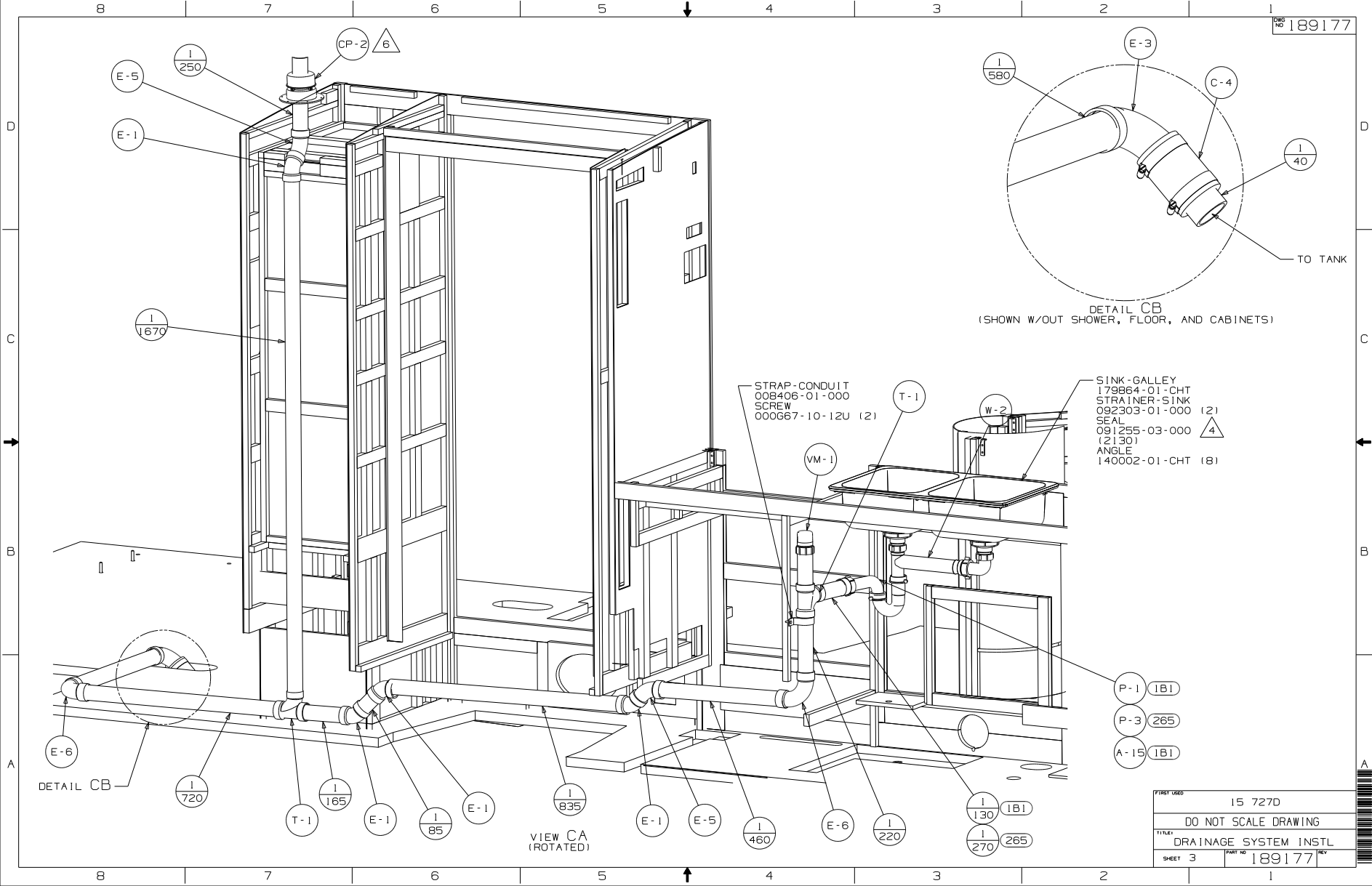


FIGURE NO.	15 727D
DO NOT SCALE DRAWING	
TITLE:	DRAINAGE SYSTEM INSTL
SHEET 2	PART NO 189177 REV



DETAIL CB
(SHOWN W/OUT SHOWER, FLOOR, AND CABINETS)

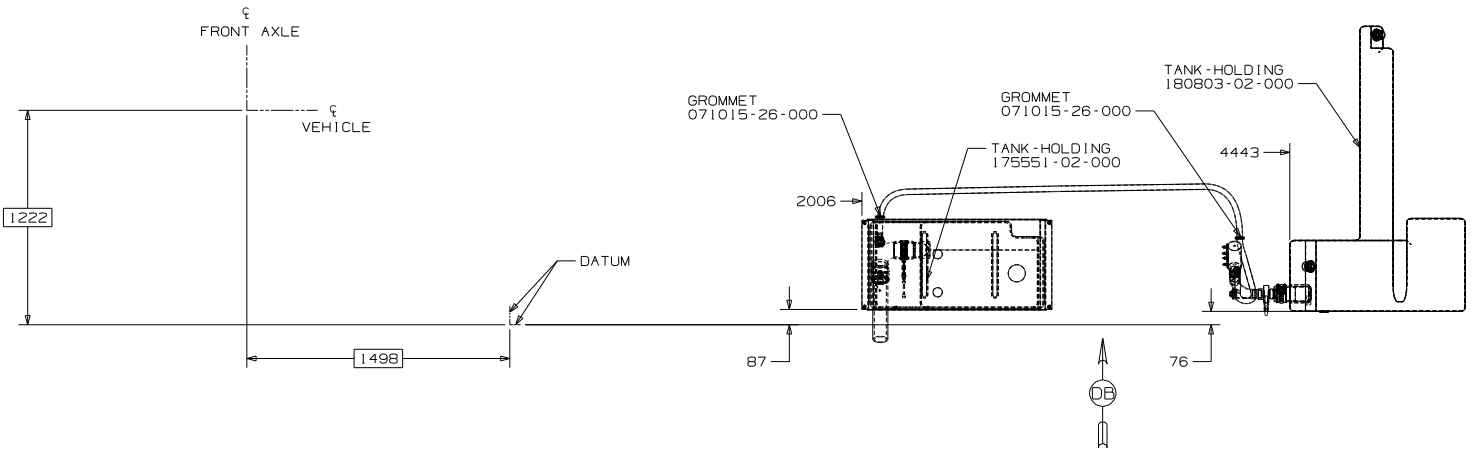
STRAP-CONDUIT
008406-01-000
SCREW
000667-10-12U (2)

SINK-GALLEY
179864-01-CHT
STRAINER-SINK
092303-01-000 (2)
SEAL
091255-03-000 (2)
ANGLE
140002-01-CHT (8)

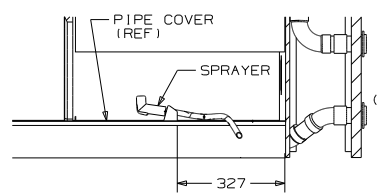
DETAIL CB

VIEW CA
(ROTATED)

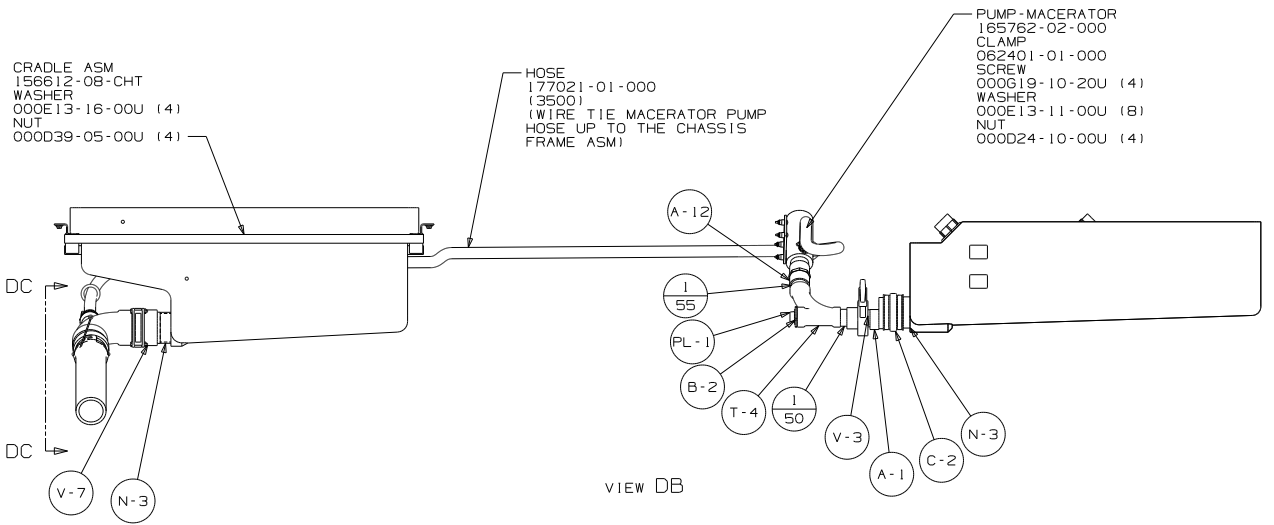
FIRST USES		15 727D
DO NOT SCALE DRAWING		
TITLE: DRAINAGE SYSTEM INSTL		
SHEET 3	PART NO 189177	REV



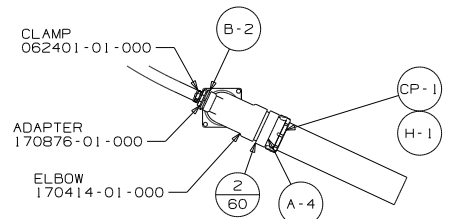
TOP VIEW SHOWING TANKS AND DRAINS ONLY



SECTION DA-DA



VIEW DB



SECTION DC-DC

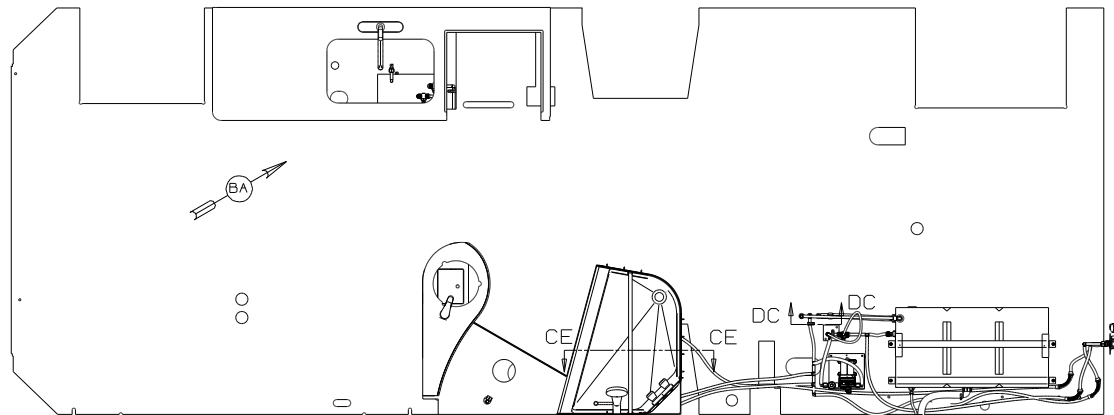
FIRST USED		15 727D
DO NOT SCALE DRAWING		
TITLE: DRAINAGE SYSTEM INSTL		
SHEET 4	PART NO	189177

D

C

B

A



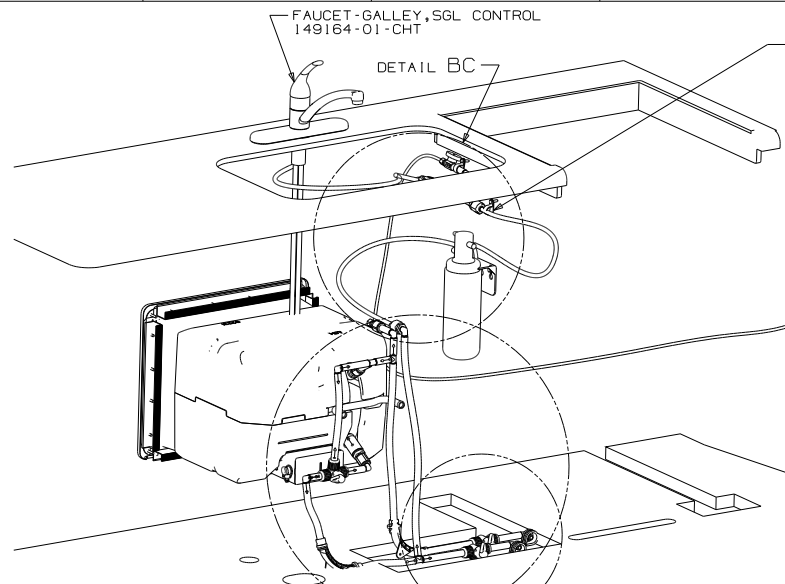
- (144) REFRIGERATOR-DOUBLE DOOR
- (1BT) WATER HEATER-TANKLESS
- (53B) WTR HTR-6 GAL ELECTRIC/LP GAS
- (29B) WATER PURIFIER
- (501) WATER PURIFIER-WITHOUT
- (53E) WATER SYS WINTERIZATION PKG
- (64R) EXTERIOR WASH STATION

9. ALL CRIMP FITTINGS TO 3/4" PEX TUBING REQUIRE 3/4" CLAMP 140171-05-000.
8. ALL CRIMP FITTINGS TO 1/2" PEX TUBING REQUIRE 1/2" CLAMP 140171-03-000.
7. ALL CRIMP FITTINGS TO 5/8" FLEX TUBING REQUIRE 5/8" CLAMP 140171-04-000.
6. LABEL HOT AND COLD SUPPLY TUBES AND TAPE FITTING TO TUBE BEFORE CABINET SET TO PREVENT MOVEMENT.
5. ADD PIPE WRAP (LADDER SCRAP 110157-02-000) INSULATION.
4. ADD TEFLON TAPE 010405-02-000.
3. ALL TUBING TO BE SECURED AT 1200 INTERVALS MAXIMUM WITH CLAMP 010495-01-000 AND SCREW 000667-10-12U OR EQUIVALENT.
2. TUBING TO BE INSTALLED WITH SUFFICIENT SLOPE TO PROVIDE DRAINAGE TO NEAREST VALVE.
1. PLASTIC FITTINGS TO BE SEALED WITH SEALANT 084456-01-000.

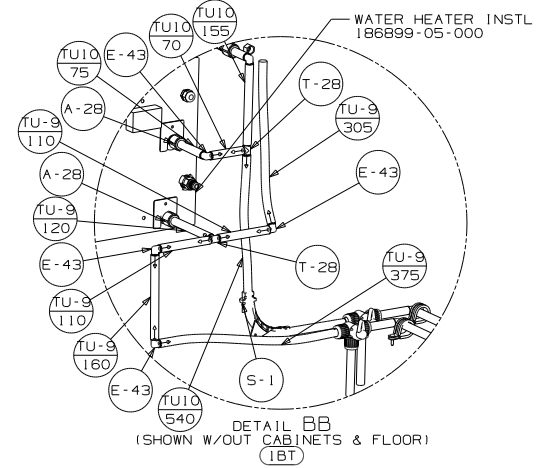
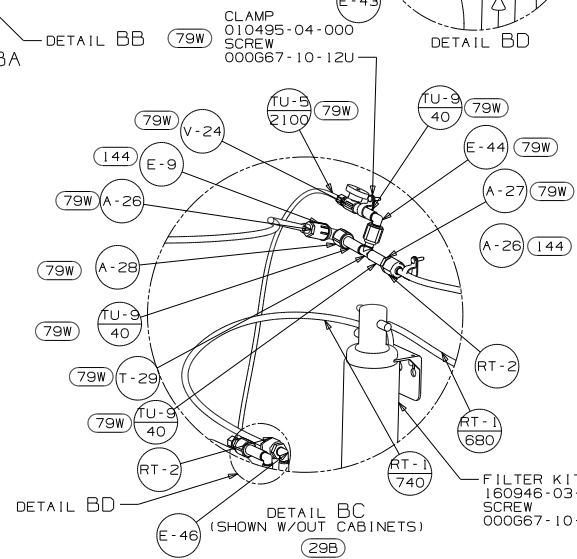
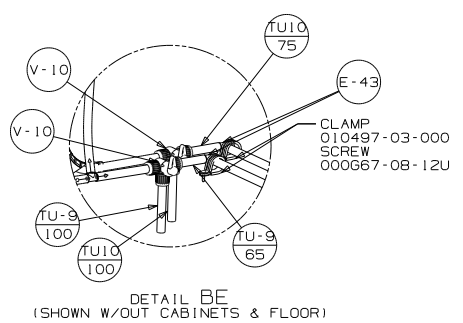
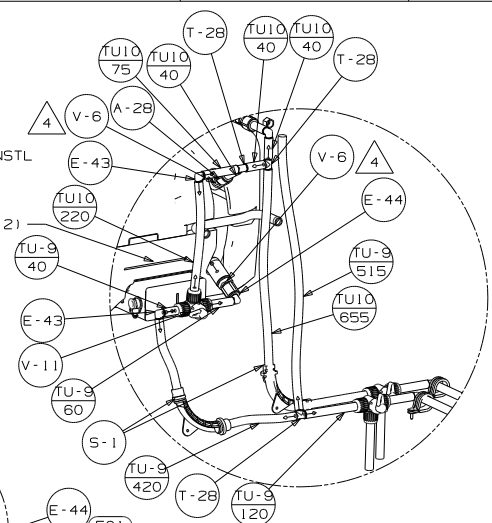
NOTES:

(X-X)
FOR WATER CALLOUTS SEE DWG NO 116230-01-000

WINNBERG COPYRIGHT 2014 WINNBERG INDUSTRIES, INC.	
DTR	ORIG. DATE
DWR	ALL DIMENSIONS ARE IN MILLIMETERS
P.E.	FIRST DSB
M.E.	15 727D
DSB	
UNSPECIFIED TOLERANCES ARE:	
WHOLE DIM (X.X)	+ .3
ONE-PLACE (X.XX)	+
TWO-PLACE (X.XXX)	+
ANGLE	+
THIRD ANGLE PROJECTION	
DO NOT SCALE DRAWING	REFER TO ES0018 FOR FASTENER TIGHTENING GUIDELINES
TITLE: WATER SYSTEM INSTL	
SHEET 1 of 4	DWG NO 189135
REF: 188938A 1	

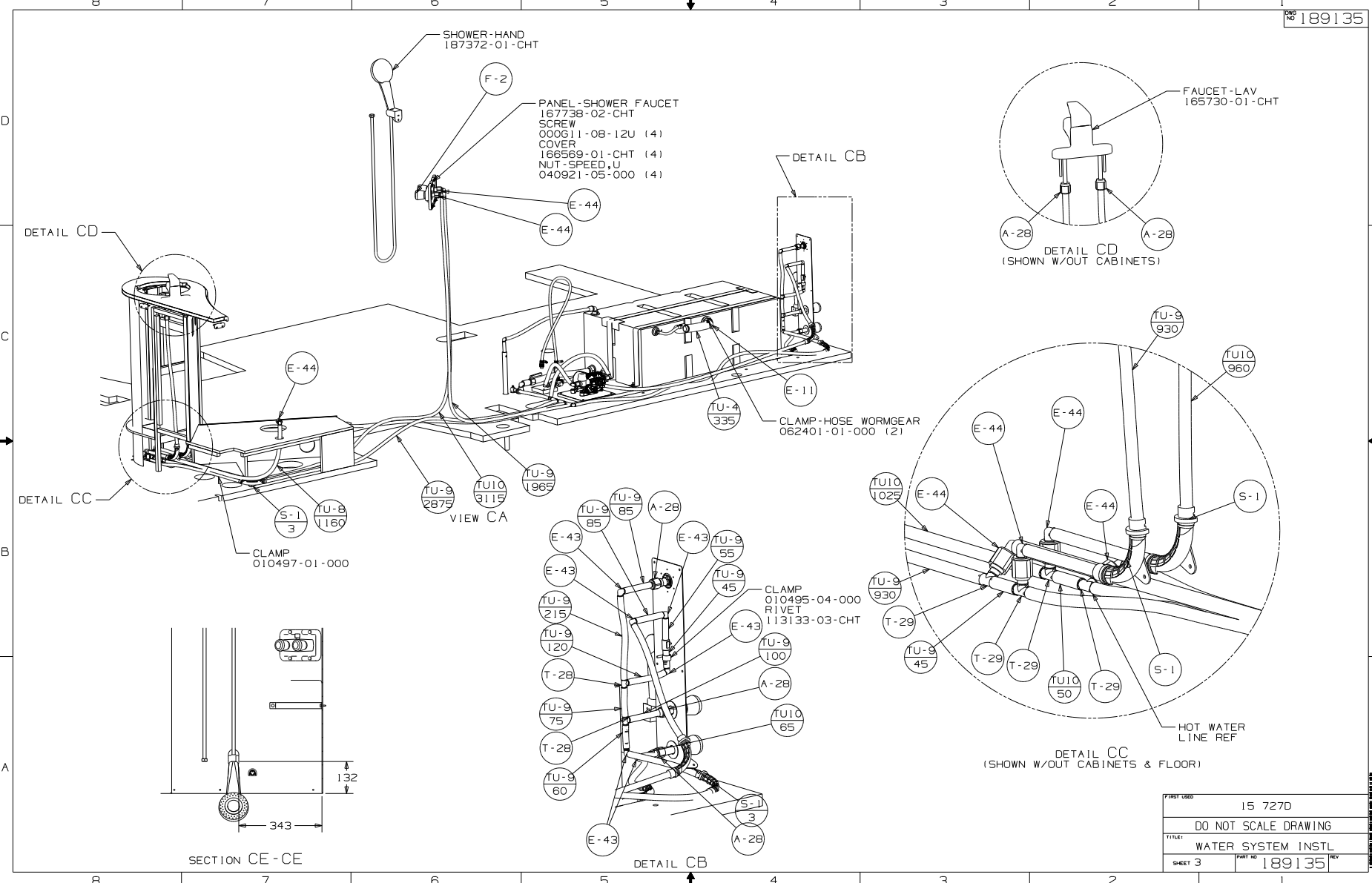


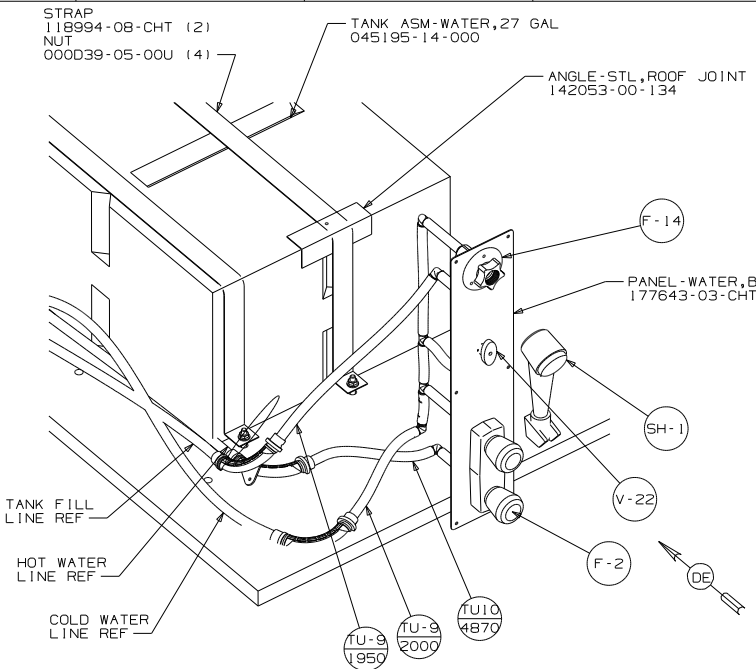
WATER HEATER INSTL
186899-03-000
CABLE
076767-03-000
SCREW
000611-06-08U (2)



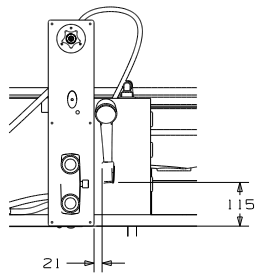
FILTER KIT-WATER, SINK
160946-03-000
SCREW
000667-10-12U (2)

PRINTED	15 727D
DO NOT SCALE DRAWING	
TITLE: WATER SYSTEM INSTL	
SHEET 2	PRINT NO 189135

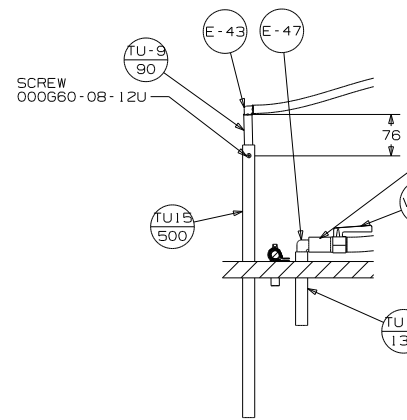




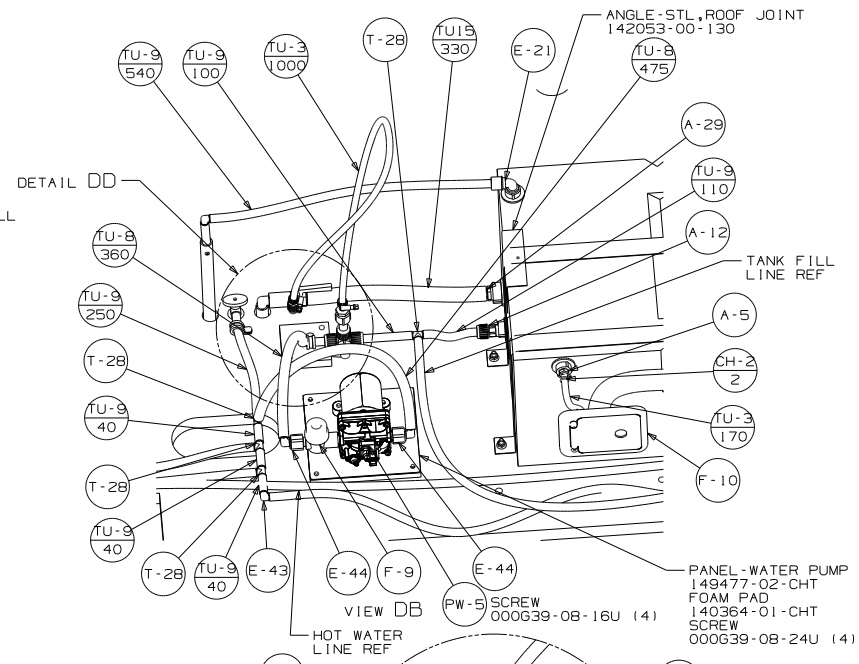
VIEW DA



VIEW DE

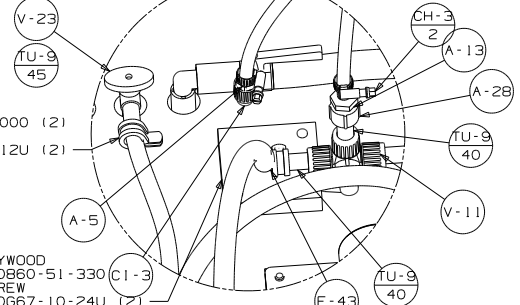


SECTION DC-DC



CLAMP
010497-01-000 (2)
SCREW
000667-08-12U (2)

PLYWOOD
000860-51-330
SCREW
000667-10-24U (2)



DETAIL DD

PRINT USED	15 727D
DO NOT SCALE DRAWING	
TITLE: WATER SYSTEM INSTL	
SHEET 4	PRINT NO 189135 REV