

- 1B1 CODES/STANDARDS USA
- 265 CODES/STANDARDS-CSA/CMVSS
- 23T DRAINAGE SYSTEM-HEATED
- 1JD DRAINAGE SYSTEM-HEATED-W/O
- 464 TOILET

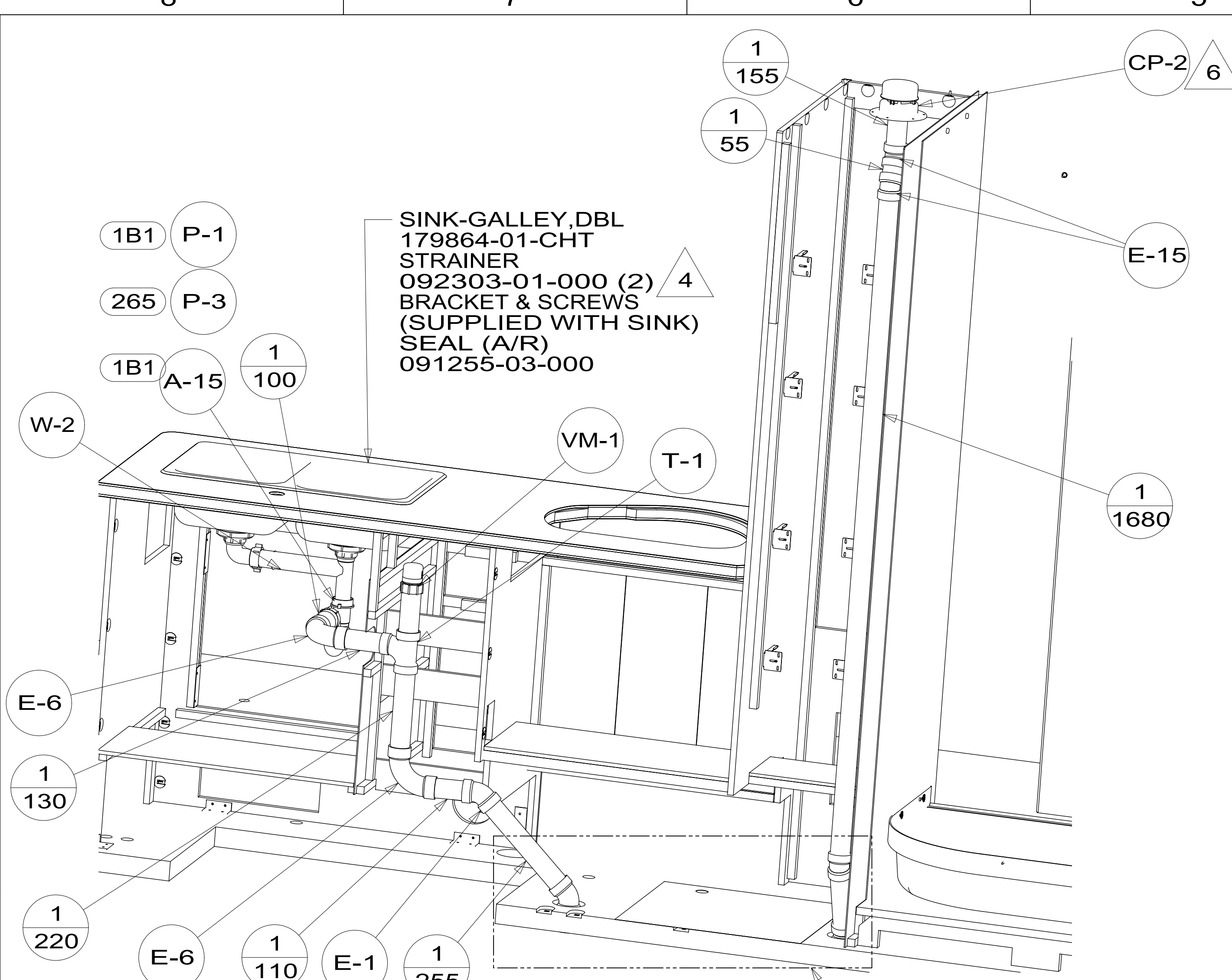
- 11 PREP THE SURFACE PER MANUFACTURERS INSTRUCTIONS BEFORE APPLYING THE HEATING PAD.
- 10 SEE WIRING INSTL-BODY FOR ELECTRICAL CONNECTION.
- 9. SEE DRAWING 061607 FOR INSTALLATION OF GROMMETS.
- 8. SECURE DRAINAGE PIPES TO CABINET USING WIRE TIE 108046-02-000, AND SCREW 000G67-10-12U AT INTERVALS OF NOT OF NOT MORE THAN 4 FEET APART.
- 7 SECURE VENT PIPE TO FLOOR WITH CLAMP 062401-02-000 (2),SCREW 000G67-10-12U (2), BRACKET 136878-01-CHT (2).
- 6 VENT PIPE MUST PROJECT 51 MIN AND 64 MAX ABOVE ROOF FOR PROPER FIT AND FUNCTION. ADD S-1 (116666-01-CHT SEAL-VENT PIPE) AROUND PIPE ON ROOF BEFORE VENT CAP IS INSTALLED.
- 5. SEAL AROUND SHOWER WITH SILICONE.
- 4 USE SMOOTH PLUMBERS PUTTY 167459-01-000 TO SEAL STRAINER (0.2 PER STRAINER).
- 3. ALL PIPE AND FITTINGS TO BE ASSEMBLED WITH SOLVENT 004020-01-000 (USA), 004020-02-000 (CAN)
- 2. SLOPE OF TRAP ARM MUST BE 6 PER 305 mm.
- 1. SLOPE OF HORIZONTAL PIPING TO BE MINIMUM OF 3 PER 305 mm.

NOTES:

FOR DRAINAGE CALLOUTS SEE DWG NO 116229-01-000

		COPYRIGHT 2014 WINNEBAGO INDUSTRIES, INC.
DFT-ORIG	ORIG. DATE	
CHKR	ALL DIMENSIONS ARE IN MILLIMETERS	
P.E.		
M.E.	FIRST USED	
DSNR	14 623B	
UNSPECIFIED TOLERANCES ARE:		MATERIAL:
WHOLE DIM (X)	:	
ONE-PLACE (X.X)	:	
TWO-PLACE (X.XX)	:	
ANGLE	:	
THIRD ANGLE PROJECTION		
DO NOT SCALE DRAWING	REFER TO ES0018 FOR FASTENER TIGHTENING GUIDELINES	
TITLE: DRAINAGE SYSTEM INSTL		
SHEET 1 OF 3	PART NO 184221	REV
REF:	1 18-Nov-2014	

*184221 *A

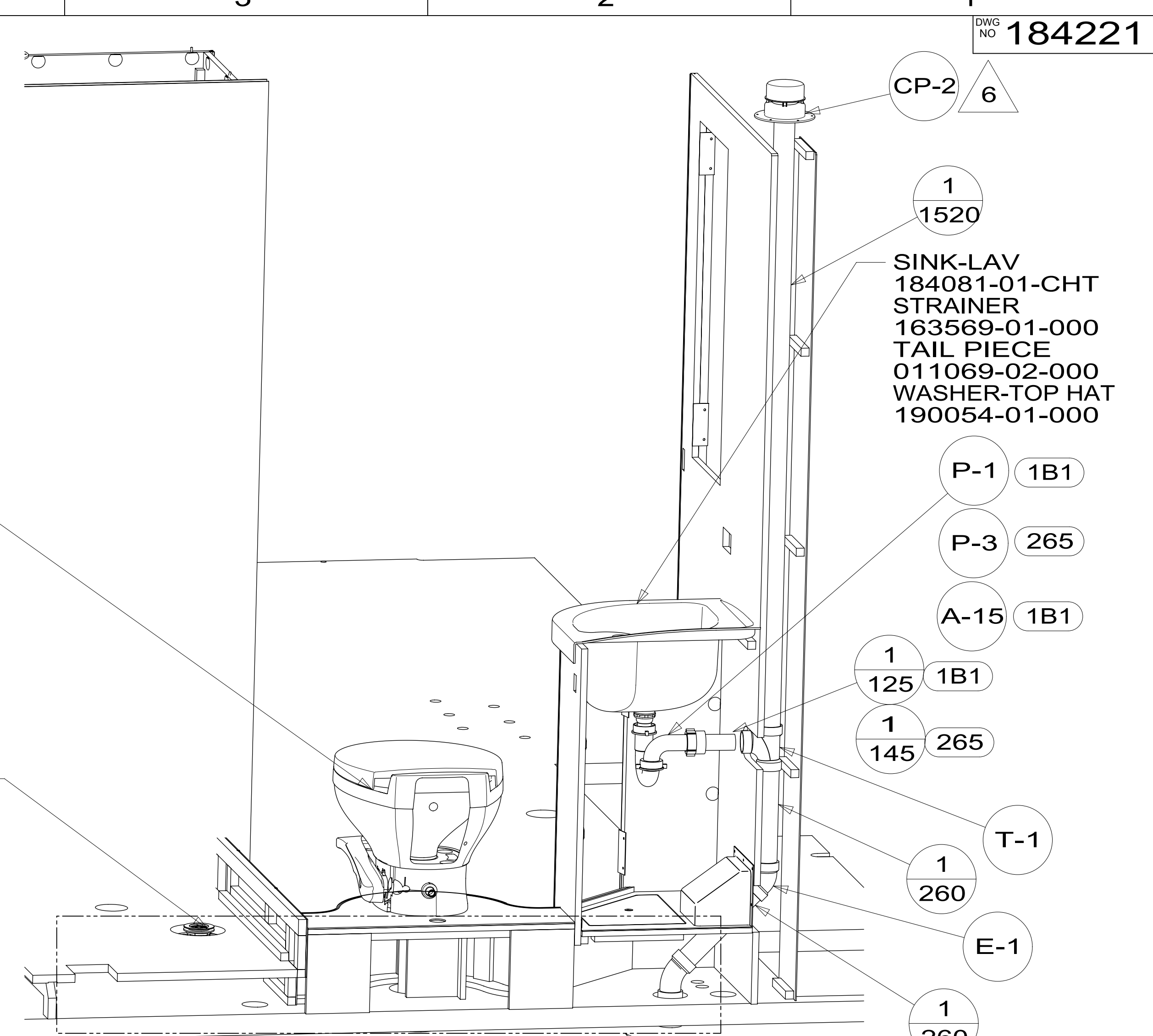


VIEW BA

DETAIL BC

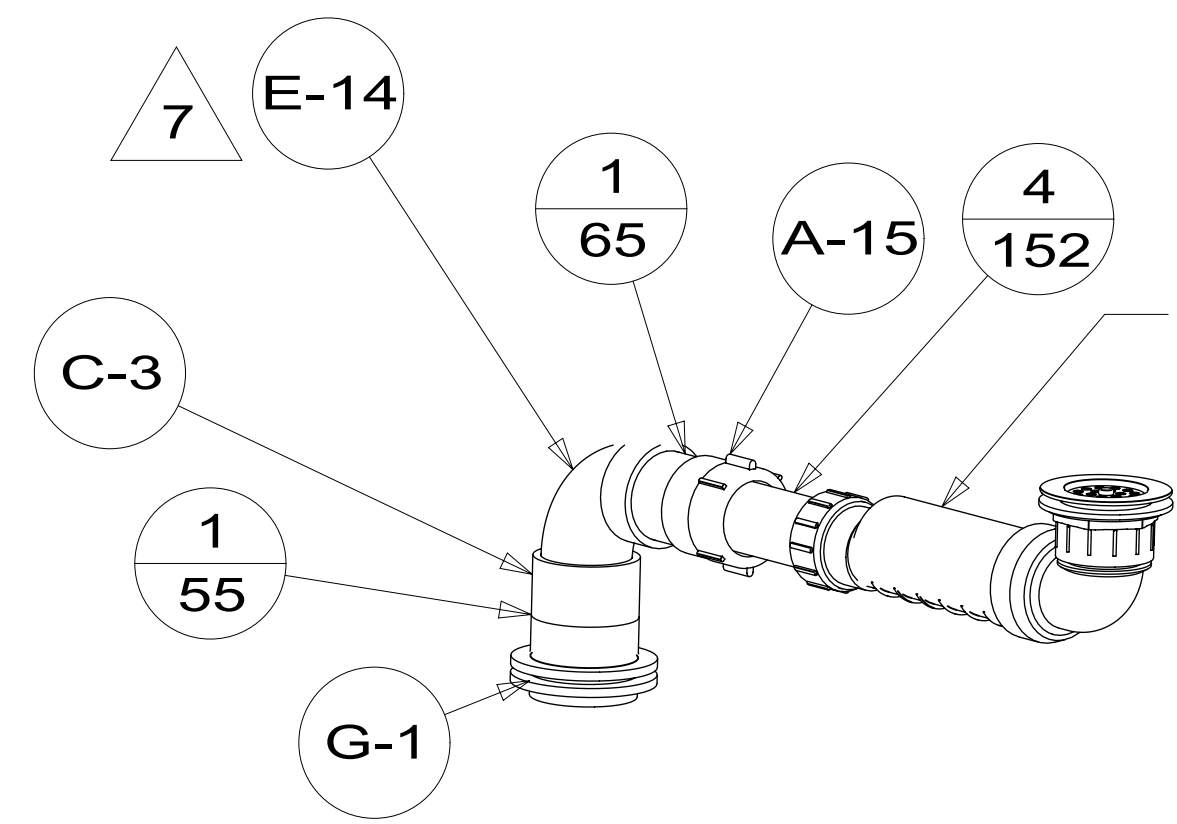
464 TOILET
 184093-01-CHT

SHOWER INSTL
 184094-01-000
 STRAINER
 066440-01-000
 ELBOW-DRAIN
 165406-02-000

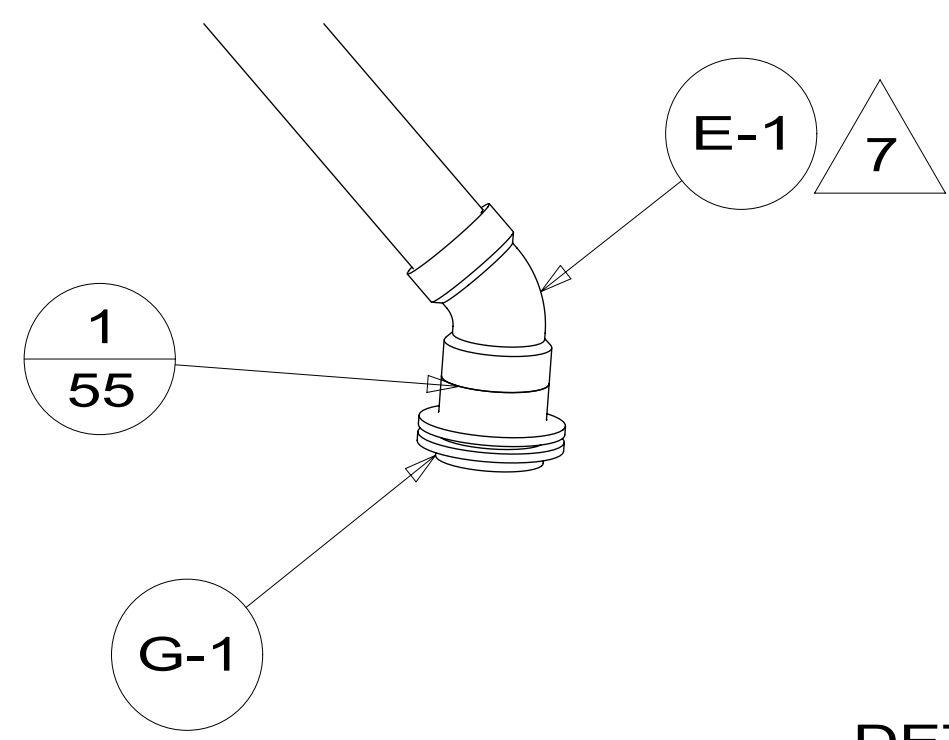


VIEW BB

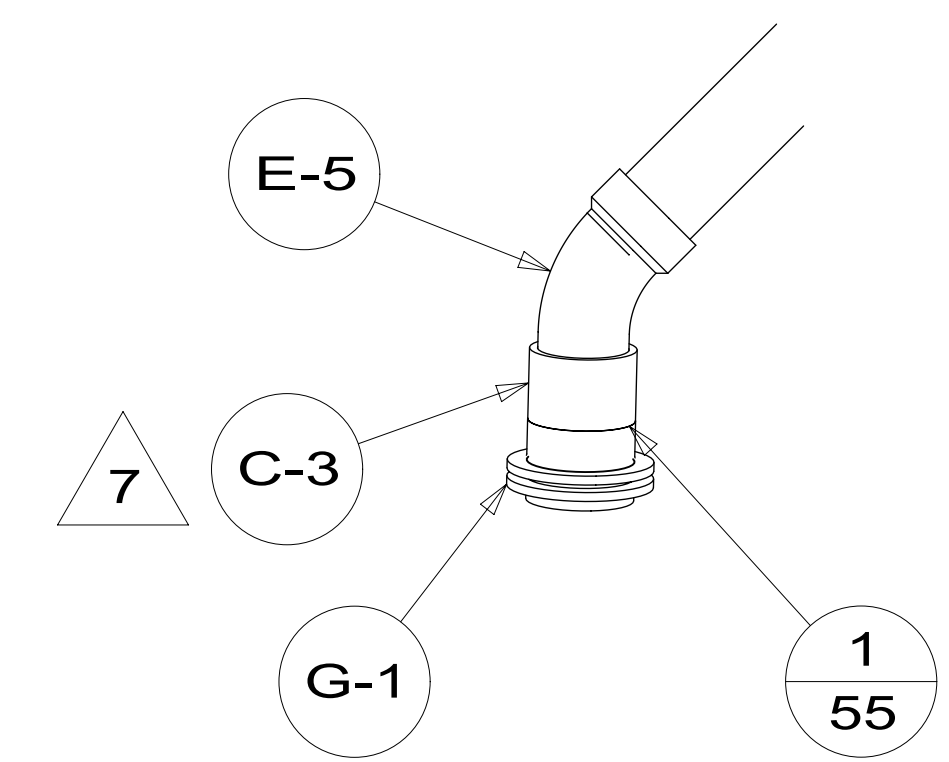
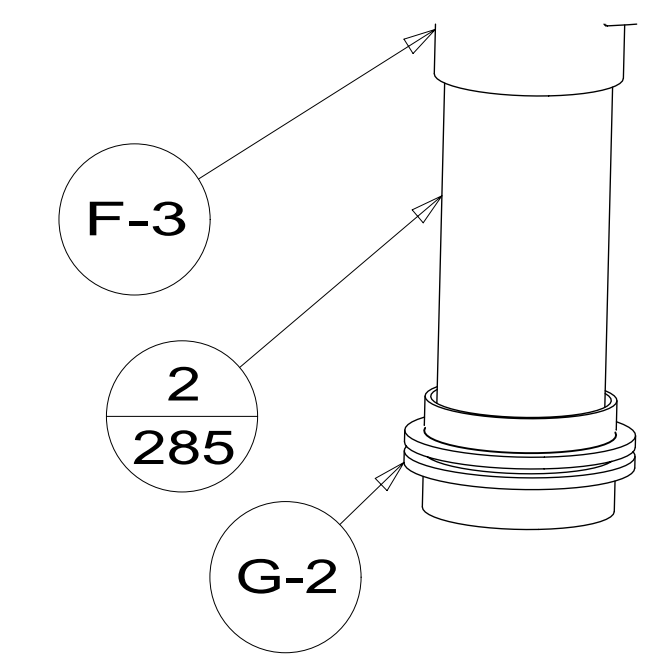
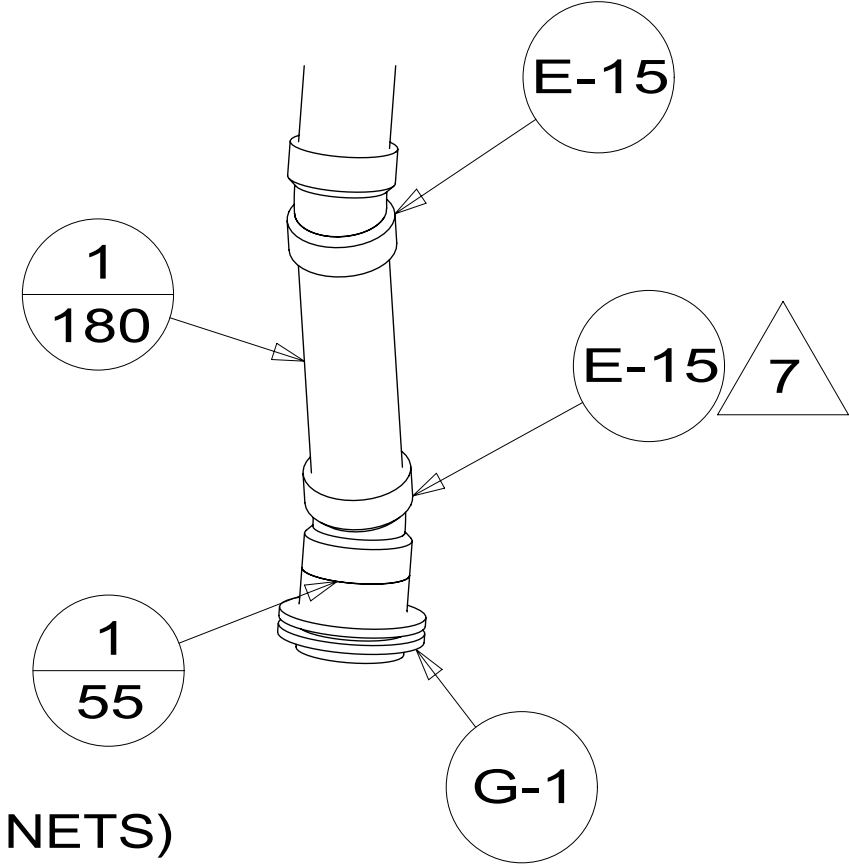
DETAIL BD



DETAIL BD
 (SHOWN W/OUT FLOOR AND CABINETS)

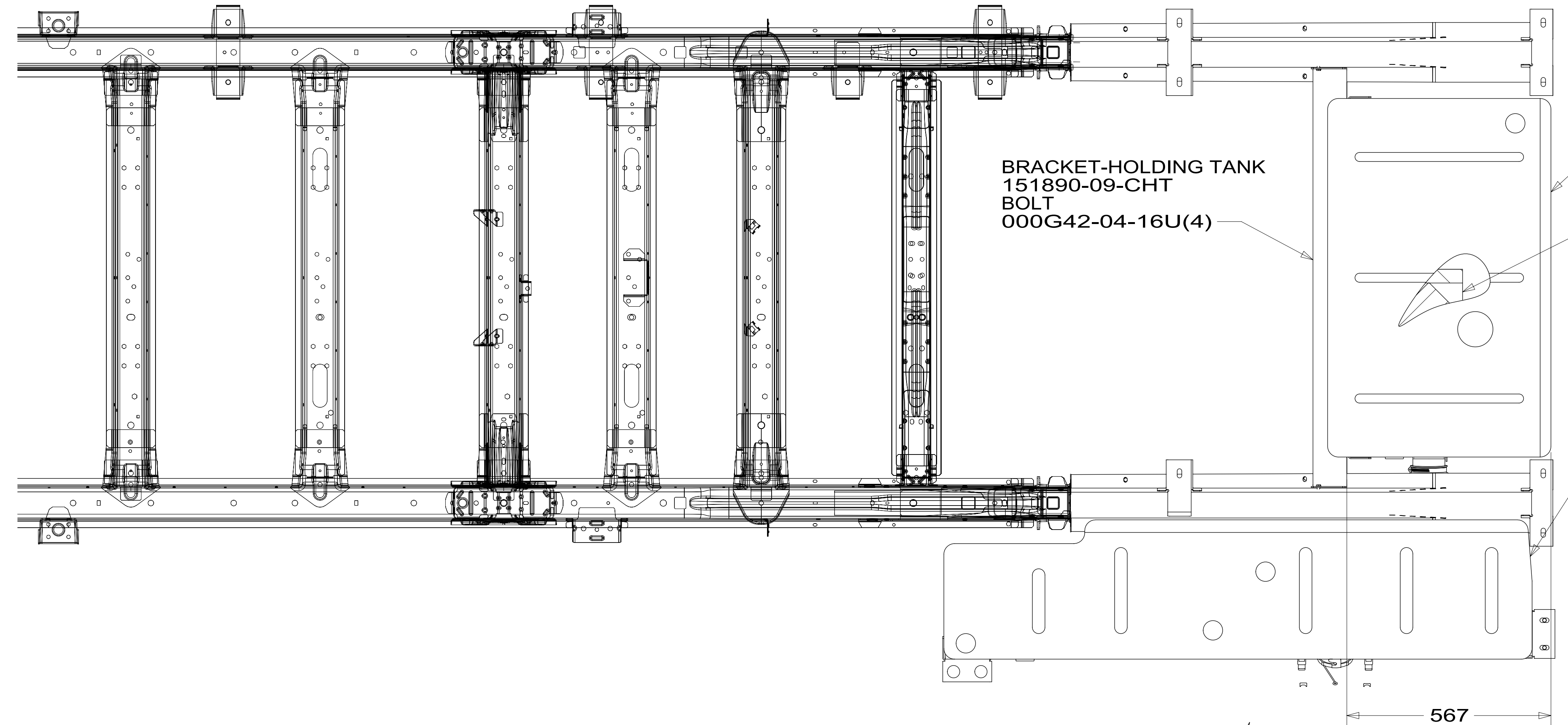


DETAIL BC
 (SHOWN W/OUT FLOOR AND CABINETS)



FIRST USED	14 623B	
TITLE:	DO NOT SCALE DRAWING	
TITLE:	DRAINAGE SYSTEM INSTL	
SHEET 2	PART NO 184221	REV
		1 18-Nov-2014

*184221 *A



BRACKET-HOLDING TANK
151890-09-CHT
BOLT
000G42-04-16U(4)

TANK ASM-HOLDING, 40 GAL
183780-03-000

PAD-HEATER
133972-04-000

TANK ASM-HOLDING, 35 GAL
183779-03-000

567

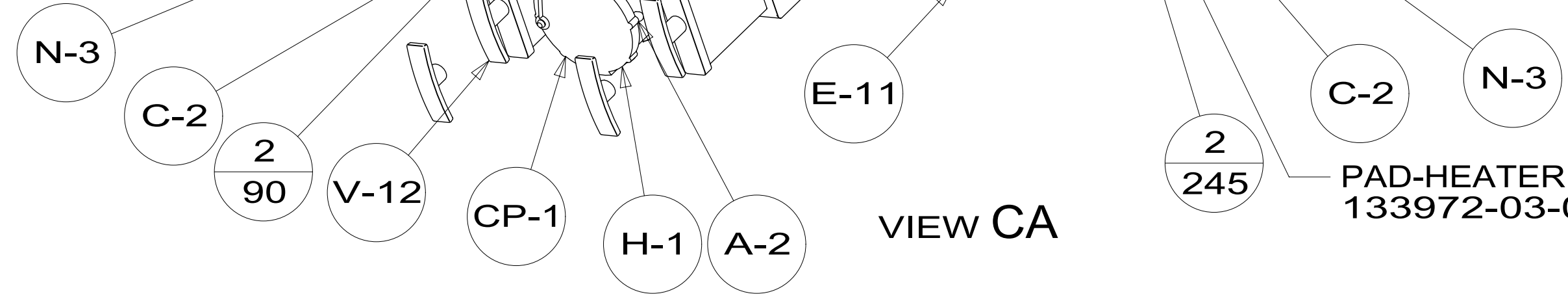
CA

BRACKET-TANK MOUNT
167936-06-CHT
BOLT-ELEVATOR
000C18-06-56U(2)
WASHER
000E13-18-00U(2)
NUT
000D29-06-00U(2)

BRACKET-TANK MOUNT
167936-06-CHT
WASHER
000E13-18-00U(2)
NUT
000D29-06-00U(2)

23T 10 11 PAD-HEATER
133972-04-000

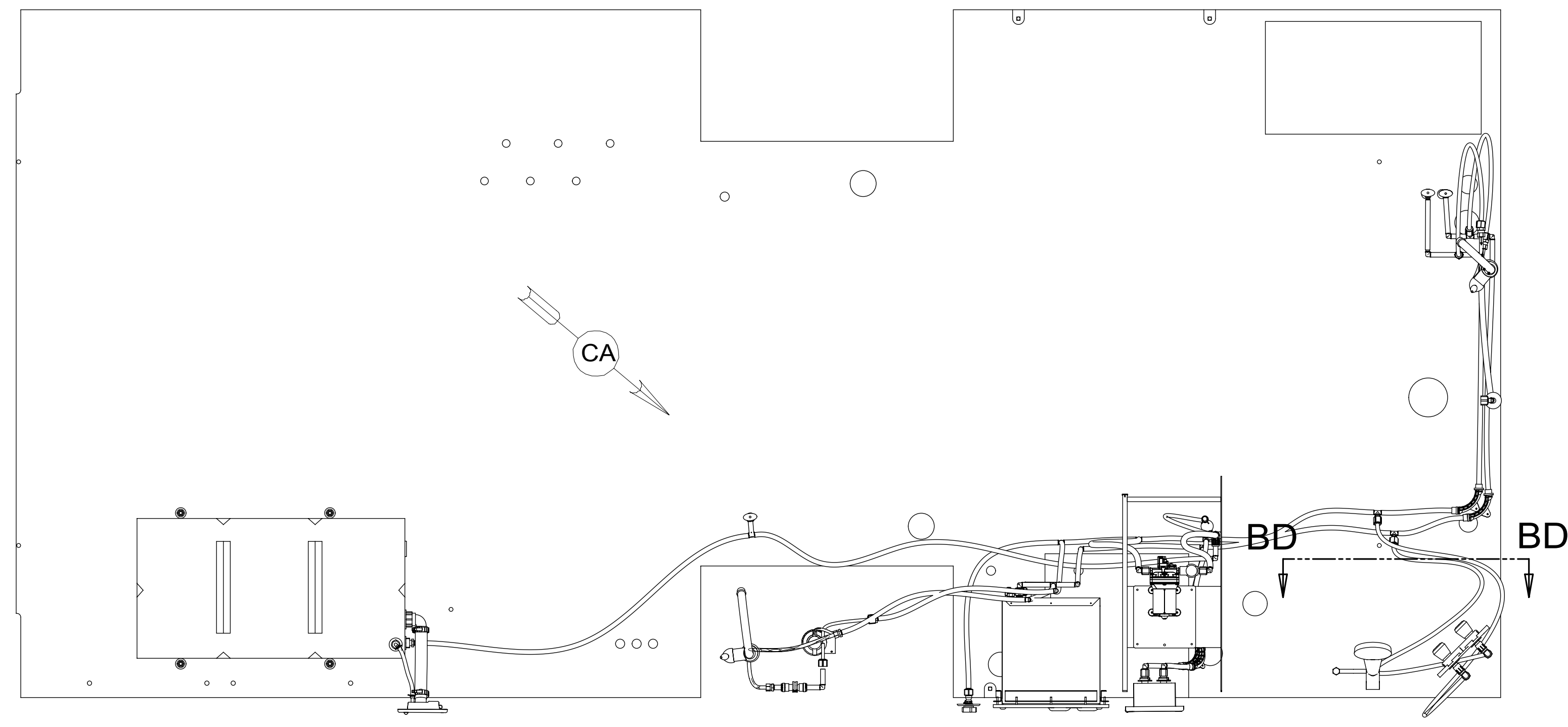
2 245 PAD-HEATER
133972-03-000



VIEW CA

FIRST USED	14 623B	
DO NOT SCALE DRAWING		
TITLE: DRAINAGE SYSTEM INSTL		
SHEET 3	PART NO 184221	REV
1 18-Nov-2014		

*184221 *A



- 29B WATER PURIFIER
- 53E WATER SYS WINTERIZATION PKG
- 64R EXTERIOR WASH STATION

- NOTES:
9. ALL CRIMP FITTINGS TO 3/4" PEX TUBING REQUIRE 3/4" CLAMP 140171-05-000.
 8. ALL CRIMP FITTINGS TO 1/2" PEX TUBING REQUIRE 1/2" CLAMP 140171-03-000.
 7. ALL CRIMP FITTINGS TO 5/8" FLEX TUBING REQUIRE 5/8" CLAMP 140171-04-000.
 - 6 LABEL HOT AND COLD SUPPLY TUBES AND TAPE FITTING TO TUBE BEFORE CABINET SET TO PREVENT MOVEMENT.
 - 5 ADD PIPE WRAP (LADDER SCRAP 110157-02-000) INSULATION.
 - 4 ADD TEFLON TAPE 010405-02-000.
 3. ALL TUBING TO BE SECURED AT 1200 INTERVALS MAXIMUM WITH CLAMP 010495-01-000 AND SCREW 000G67-10-12U OR EQUIVALENT.
 2. TUBING TO BE INSTALLED WITH SUFFICIENT SLOPE TO PROVIDE DRAINAGE TO NEAREST VALVE.
 1. PLASTIC FITTINGS TO BE SEALED WITH SEALANT 084456-01-000.

FOR WATER CALLOUTS SEE DWG NO 116230-01-000

		COPYRIGHT 2014 WINNEBAGO INDUSTRIES, INC.
DFTR	ORIG. DATE	
CHKR	ALL DIMENSIONS ARE IN MILLIMETERS	
P.E.		
M.E.	FIRST USED	
DSNR	14 623B	
UNSPECIFIED TOLERANCES ARE:		
WHOLE DIM (X)	: 3	
ONE-PLACE (X.X)	: 1.5	
TWO-PLACE (X.XX)	: 0.50	
ANGLE	: 1°	
THIRD ANGLE PROJECTION		
DO NOT SCALE DRAWING	REFER TO ES0018 FOR FASTENER TIGHTENING GUIDELINES	
TITLE: WATER SYSTEM INSTL		
SHEET 1 OF 3	PART NO 184224	REV
REF:	1	14-Jul-2015

*184224 *A

- TANK ASM-WATER, 27 GAL
045195-13-000
- STRAP ASM-TANK, WATER
118994-25-CHT(4)
- PLATE ASM
150283-02-CHT(4)
- SCREW
000G11-08-08U(4)
- NUT
000D39-07-00U (4)
- WASHER
000E13-22-00U (4)

FAUCET-GALLEY
171482-02-CHT

WATER HEATER INSTL-TANKLESS
186899-05-000

SHOWER HEAD
187372-01-CHT

PANEL-SHOWER FAUCET
167738-02-CHT

FAUCET-LAV
171481-01-CHT

64R SHOWER-EXTERIOR
166291-01-CHT

GROMMET
016188-09-000

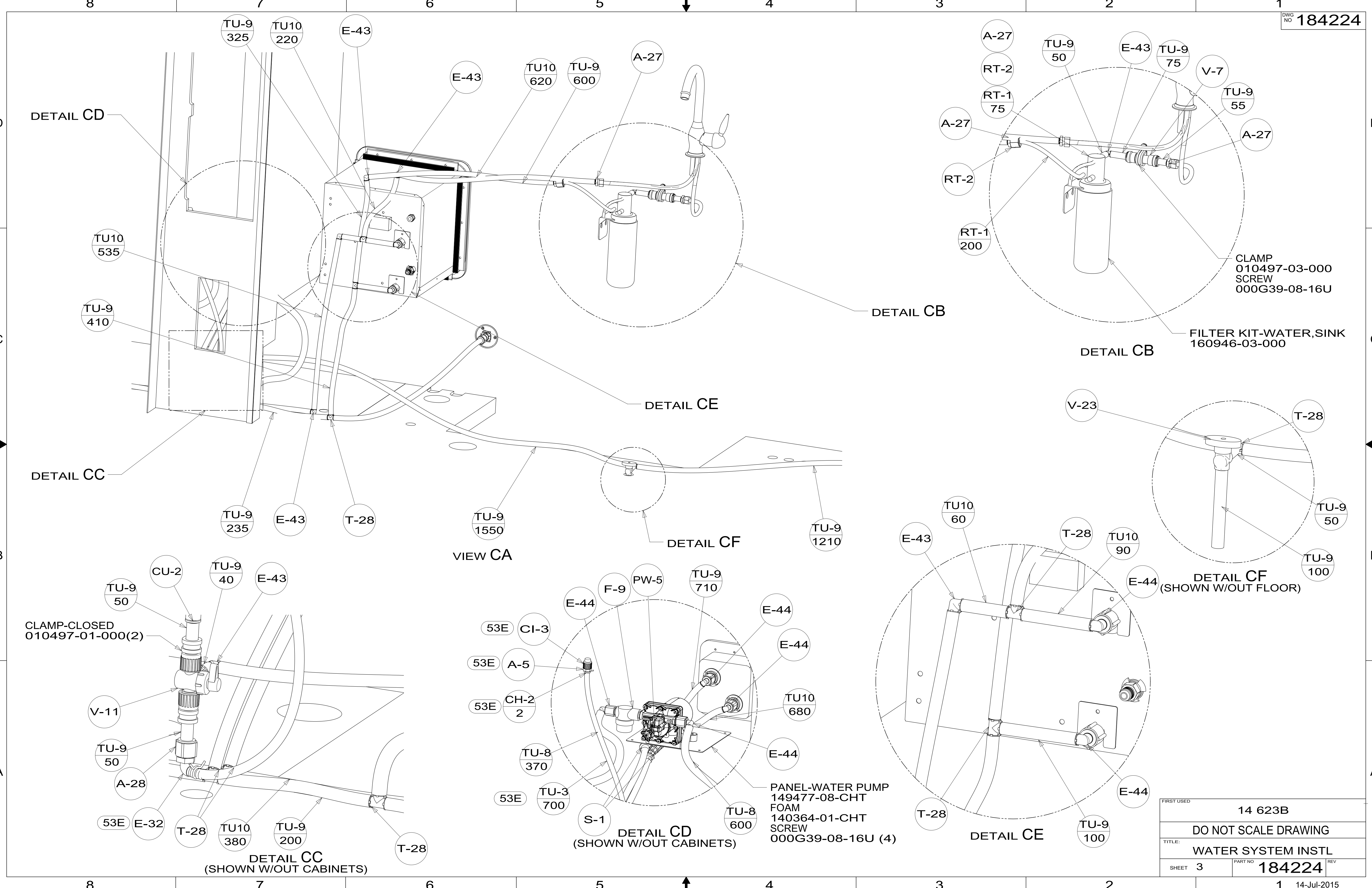
SECTION BD-BD
(ROTATED)

DETAIL BB
(SHOWN W/OUT FLOOR)

DETAIL BC
(SHOWN W/OUT SHOWER)

FIRST USED	14 623B		
TITLE:	DO NOT SCALE DRAWING		
SHEET	2	PART NO	184224
REV			
14-Jul-2015			

184224



FIRST USED	14 623B
TITLE:	DO NOT SCALE DRAWING
SHEET 3	WATER SYSTEM INSTL
PART NO	184224
REV	1
14-Jul-2015	

*184224 *A