

- 10. REMOVE SWIVEL NUT ON TRAP-WATERLESS 165406-01-000 AND CONNECT A-10.
- 9. PREP THE SURFACE PER MANUFACTURERS INSTRUCTIONS, THEN APPLY ADHESIVE 067788-04-000 (0.10) ON PREPARED AREA BEFORE APPLYING THE HEATING PAD PER MANUFACTURERS INSTRUCTIONS.
- 8. FOLLOW SEWAGE MACERATOR PUMP WINTERIZATION PROCEDURE. EACH PUMP REQUIRES TWO GALLONS OF RV ANTIFREEZE 182955-01-000.
- 7. SECURE VENT PIPE TO FLOOR WITH CLAMP 062401-02-000 (2), SCREW 000G67-10-12U (2), BRACKET 136878-01-CHT (2).
- 6. VENT PIPE MUST PROJECT 51 MIN AND 64 MAX ABOVE ROOF FOR PROPER FIT AND FUNCTION. ADD S-1 (116666-01-CHT SEAL-VENT PIPE) AROUND PIPE ON ROOF BEFORE VENT CAP IS INSTALLED.
- 5. SEAL AROUND SHOWER WITH SILICONE.
- 4. SECURE DRAINAGE PIPES TO CABINET USING WIRE TIE 108046-02-000, AND SCREW 000G67-10-12U AT INTERVALS OF NOT MORE THAN 4 FEET APART.
- 3. ALL PIPE AND FITTINGS TO BE ASSEMBLED WITH SOLVENT 004020-01-000 (USA), 004020-02-000 (CAN)
- 2. SLOPE OF TRAP ARM MUST BE 6 PER 305 mm.
- 1. SLOPE OF HORIZONTAL PIPING TO BE MINIMUM OF 3 PER 305 mm.

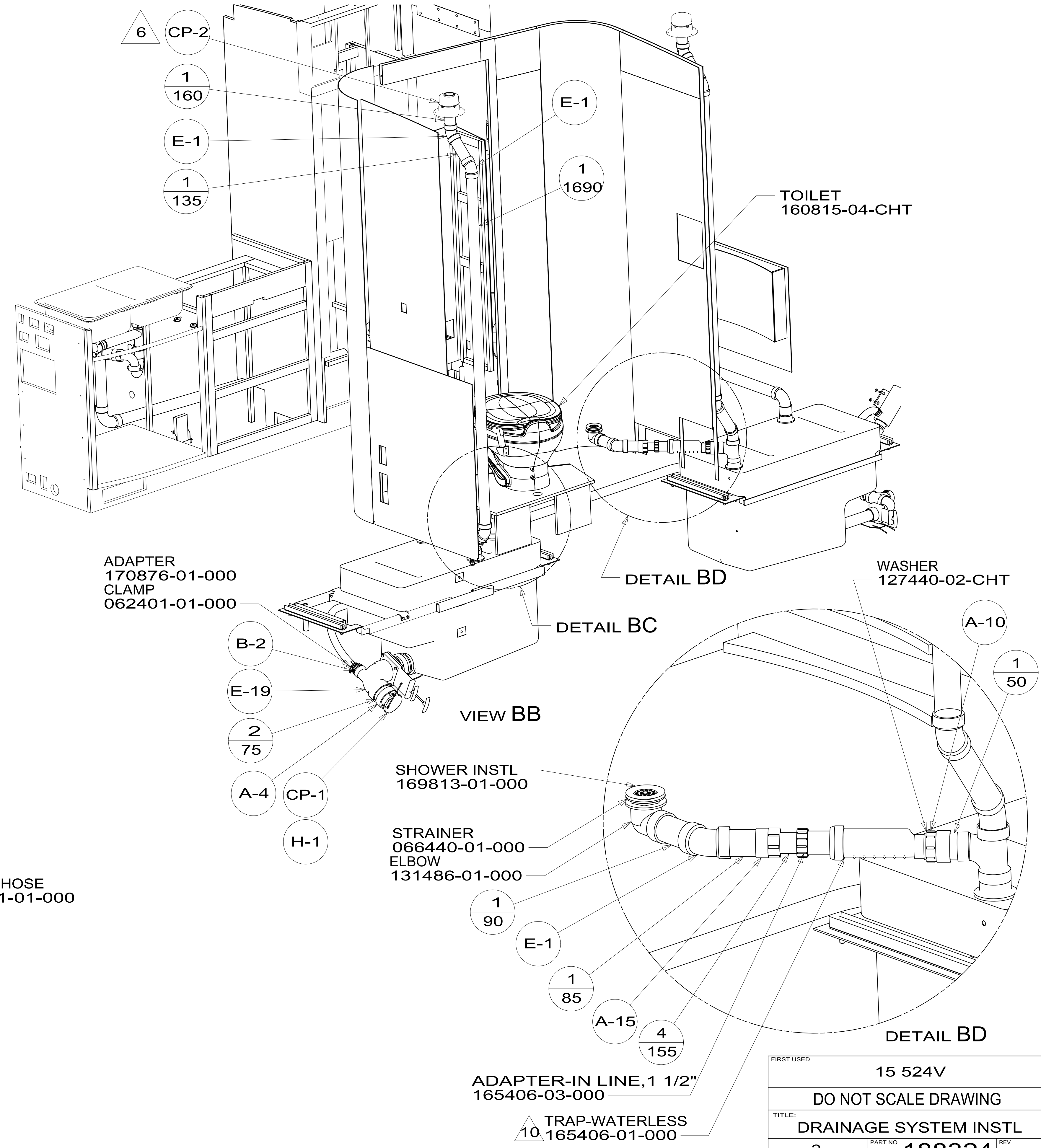
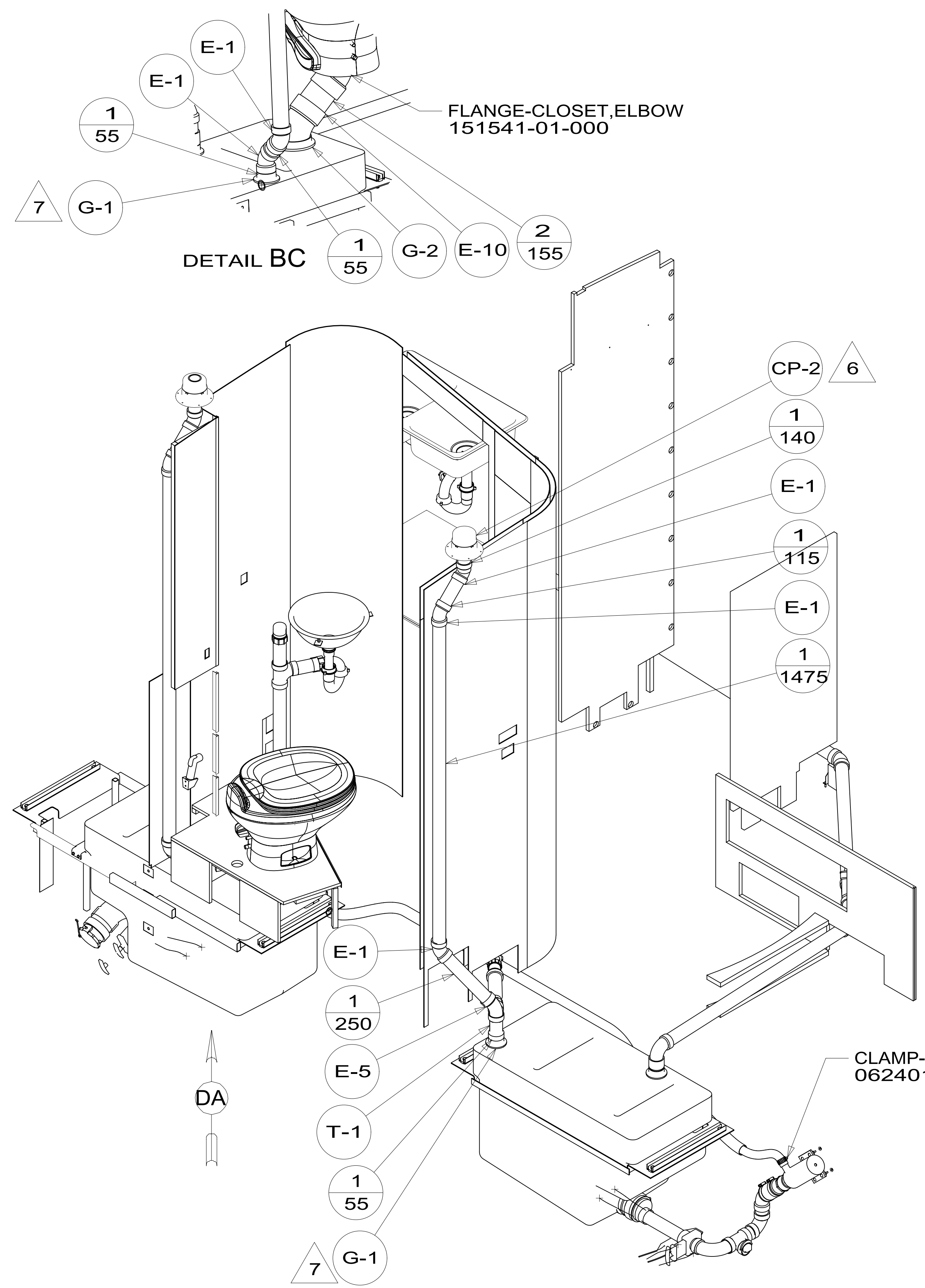
- (23T) DRAINAGE SYSTEM-HEATED
- (265) CODES/STANDARDS-CSA/CMVSS
- (1B1) CODES/STANDARDS USA

WINNEBAGO		COPYRIGHT 2014 WINNEBAGO INDUSTRIES, INC.	
DFTR	ORIG. DATE		
CHKR	ALL DIMENSIONS ARE IN MILLIMETERS		
P.E.	FIRST USED		
M.E.	15 524V		
DSNR			
UNSPECIFIED TOLERANCES ARE:		MATERIAL:	
WHOLE DIM (X)	: 3		
ONE-PLACE (X.X)	: 1.5		
TWO-PLACE (X.XX)	: 0.50		
ANGLE	: 1°		
THIRD ANGLE PROJECTION			
DO NOT SCALE DRAWING		REFER TO ES0018 FOR FASTENER TIGHTENING GUIDELINES	
TITLE: DRAINAGE SYSTEM INSTL			
SHEET 1 OF 4	PART NO	188324	REV
REF:	1	24-Jul-2015	

FOR
DRAINAGE
CALLOUTS
SEE DWG NO
116229-01-000

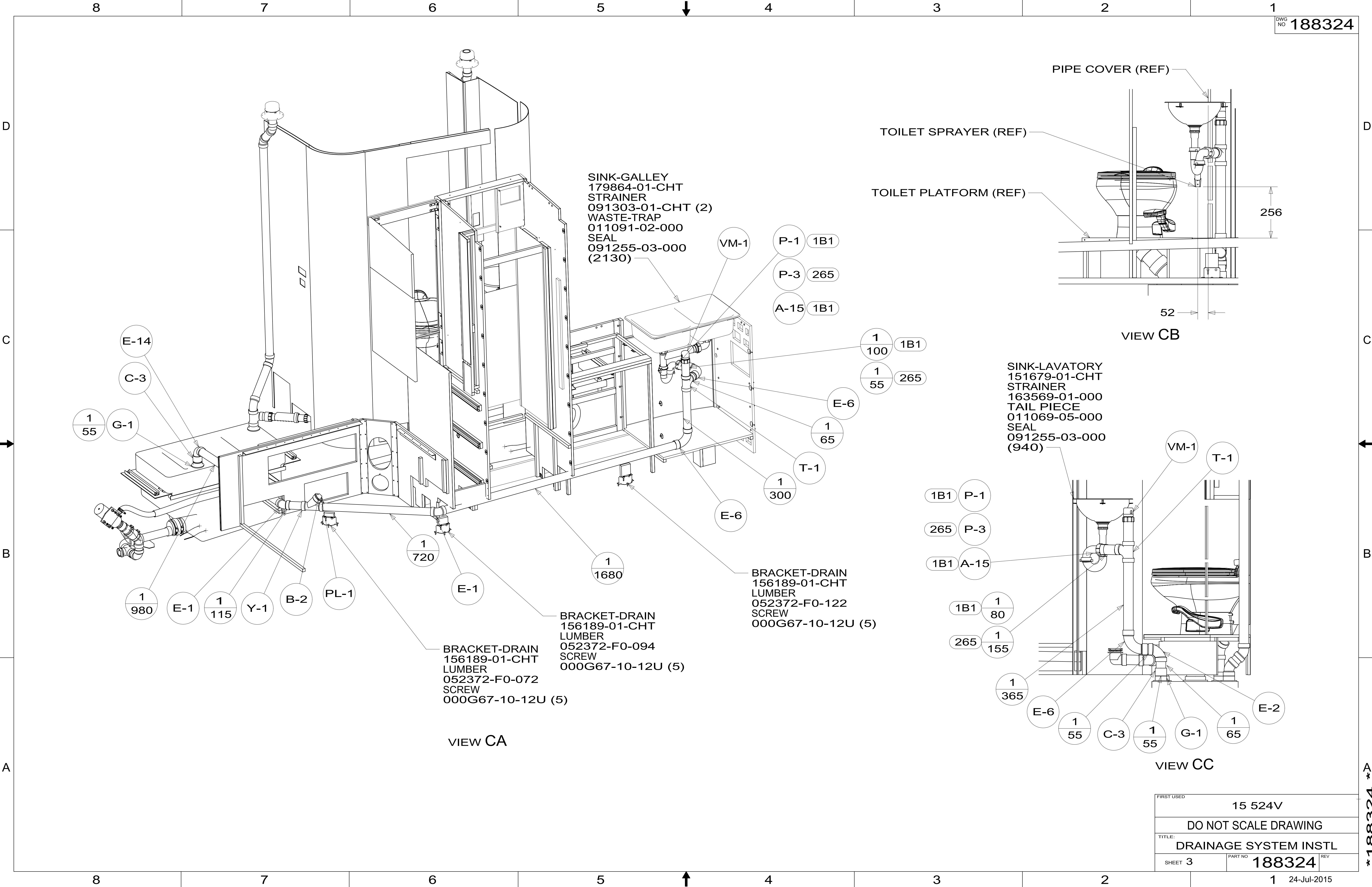
NOTES:

188324

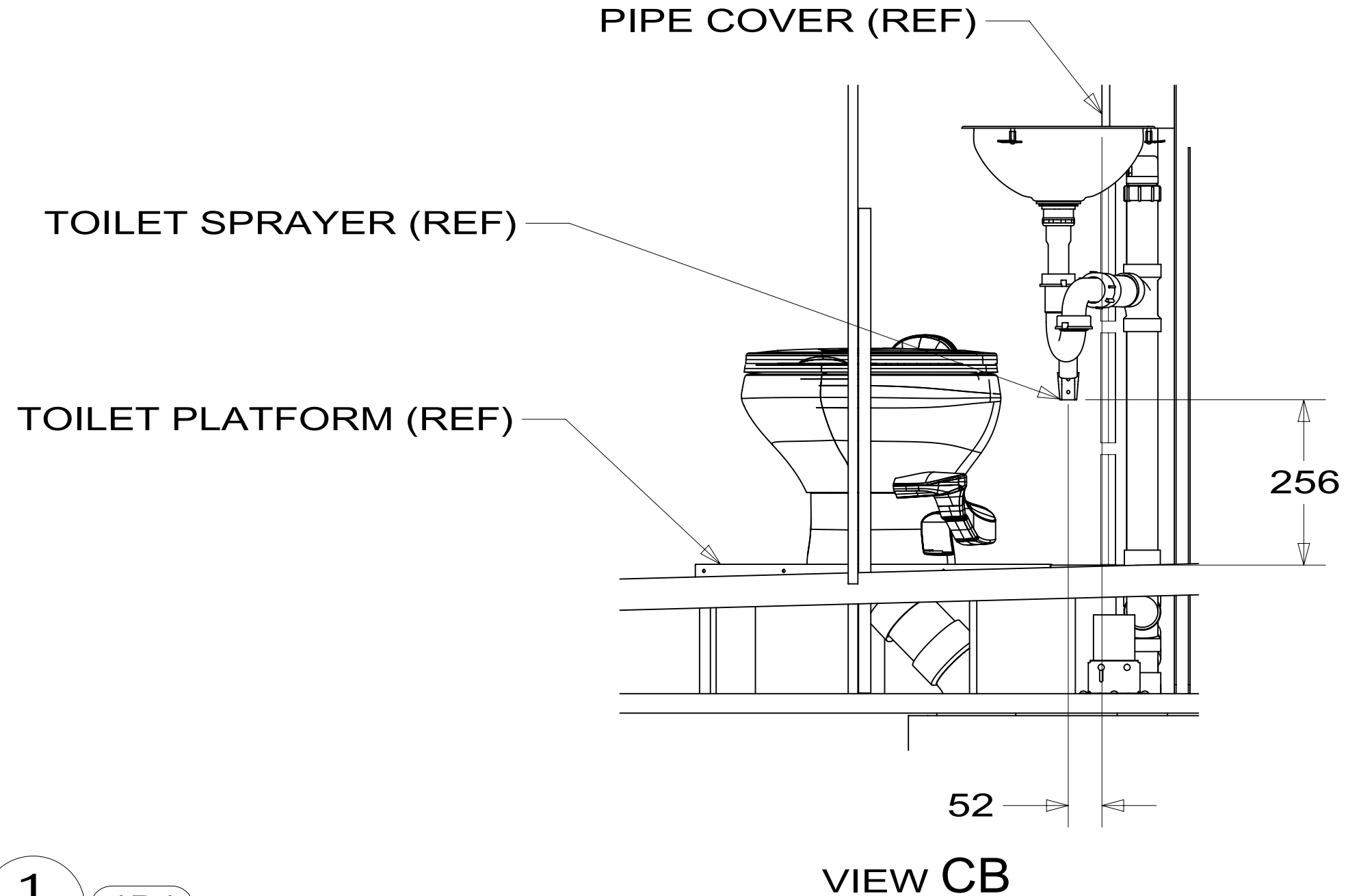


FIRST USED	15 524V
DO NOT SCALE DRAWING	
TITLE:	DRAINAGE SYSTEM INSTL
SHEET 2	PART NO 188324 REV

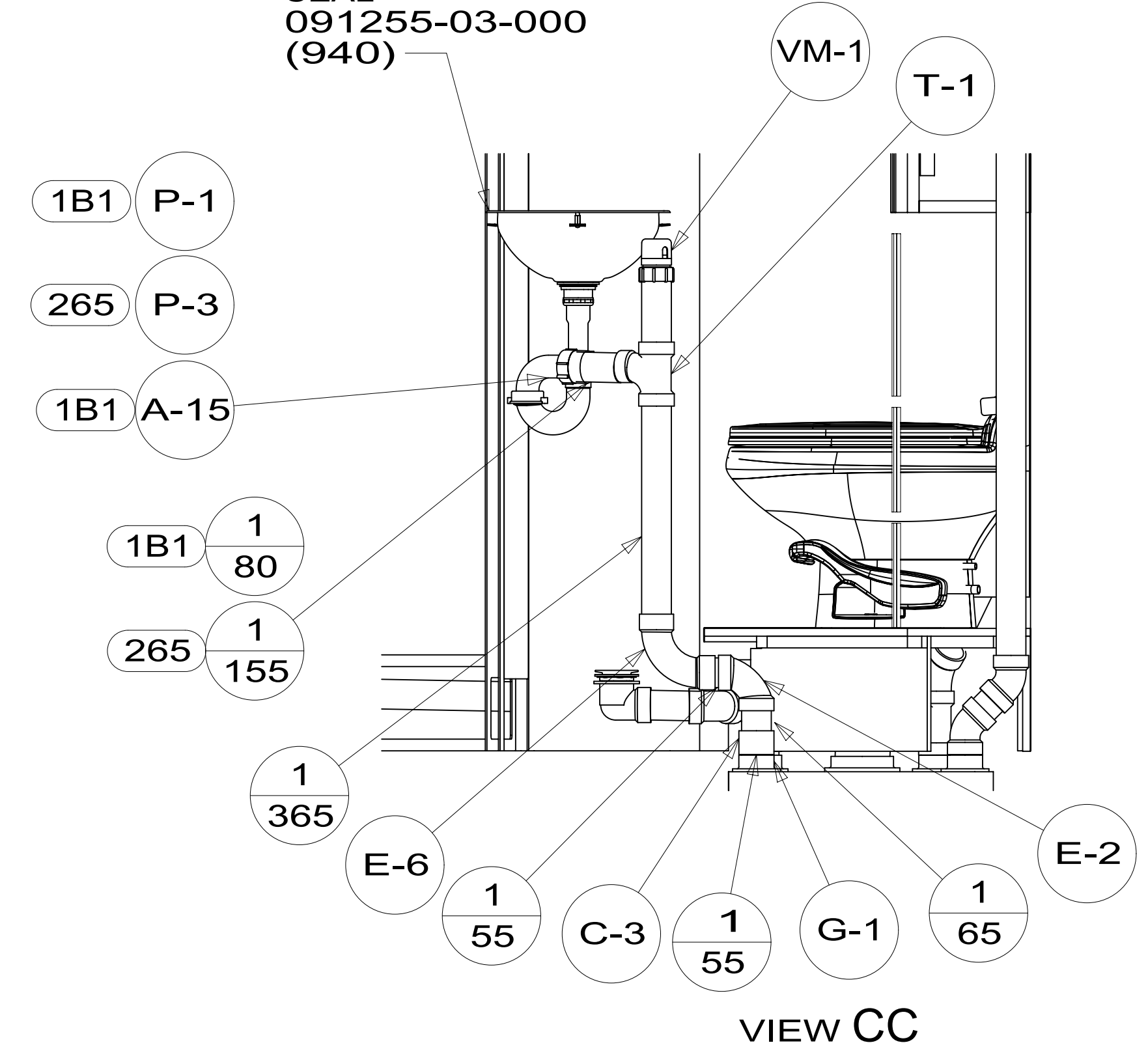
*188324 *A



SINK-GALLEY
 179864-01-CHT
 STRAINER
 091303-01-CHT (2)
 WASTE-TRAP
 011091-02-000
 SEAL
 091255-03-000
 (2130)



SINK-LAVATORY
 151679-01-CHT
 STRAINER
 163569-01-000
 TAIL PIECE
 011069-05-000
 SEAL
 091255-03-000
 (940)



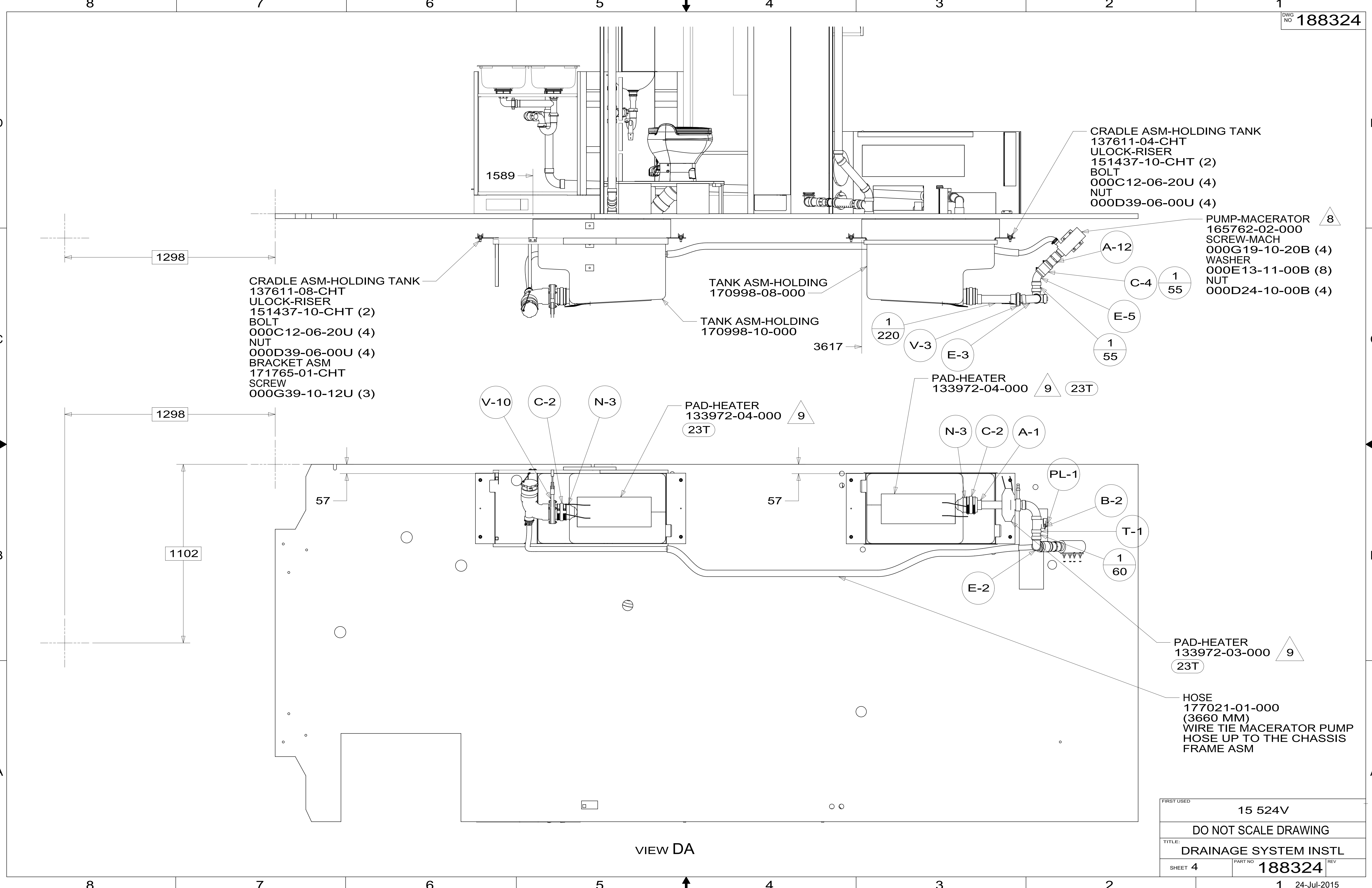
BRACKET-DRAIN
 156189-01-CHT
 LUMBER
 052372-F0-094
 SCREW
 000G67-10-12U (5)

BRACKET-DRAIN
 156189-01-CHT
 LUMBER
 052372-F0-122
 SCREW
 000G67-10-12U (5)

VIEW CA

FIRST USED	15 524V	
TITLE:	DO NOT SCALE DRAWING	
TITLE:	DRAINAGE SYSTEM INSTL	
SHEET 3	PART NO	188324
	REV	1
		24-Jul-2015

188324



CRADLE ASM-HOLDING TANK
 137611-08-CHT
 ULOCK-RISER
 151437-10-CHT (2)
 BOLT
 000C12-06-20U (4)
 NUT
 000D39-06-00U (4)
 BRACKET ASM
 171765-01-CHT
 SCREW
 000G39-10-12U (3)

CRADLE ASM-HOLDING TANK
 137611-04-CHT
 ULOCK-RISER
 151437-10-CHT (2)
 BOLT
 000C12-06-20U (4)
 NUT
 000D39-06-00U (4)

PUMP-MACERATOR
 165762-02-000
 SCREW-MACH
 000G19-10-20B (4)
 WASHER
 000E13-11-00B (8)
 NUT
 000D24-10-00B (4)

TANK ASM-HOLDING
 170998-08-000
 TANK ASM-HOLDING
 170998-10-000

PAD-HEATER
 133972-04-000
 9 23T

PAD-HEATER
 133972-04-000
 9 23T

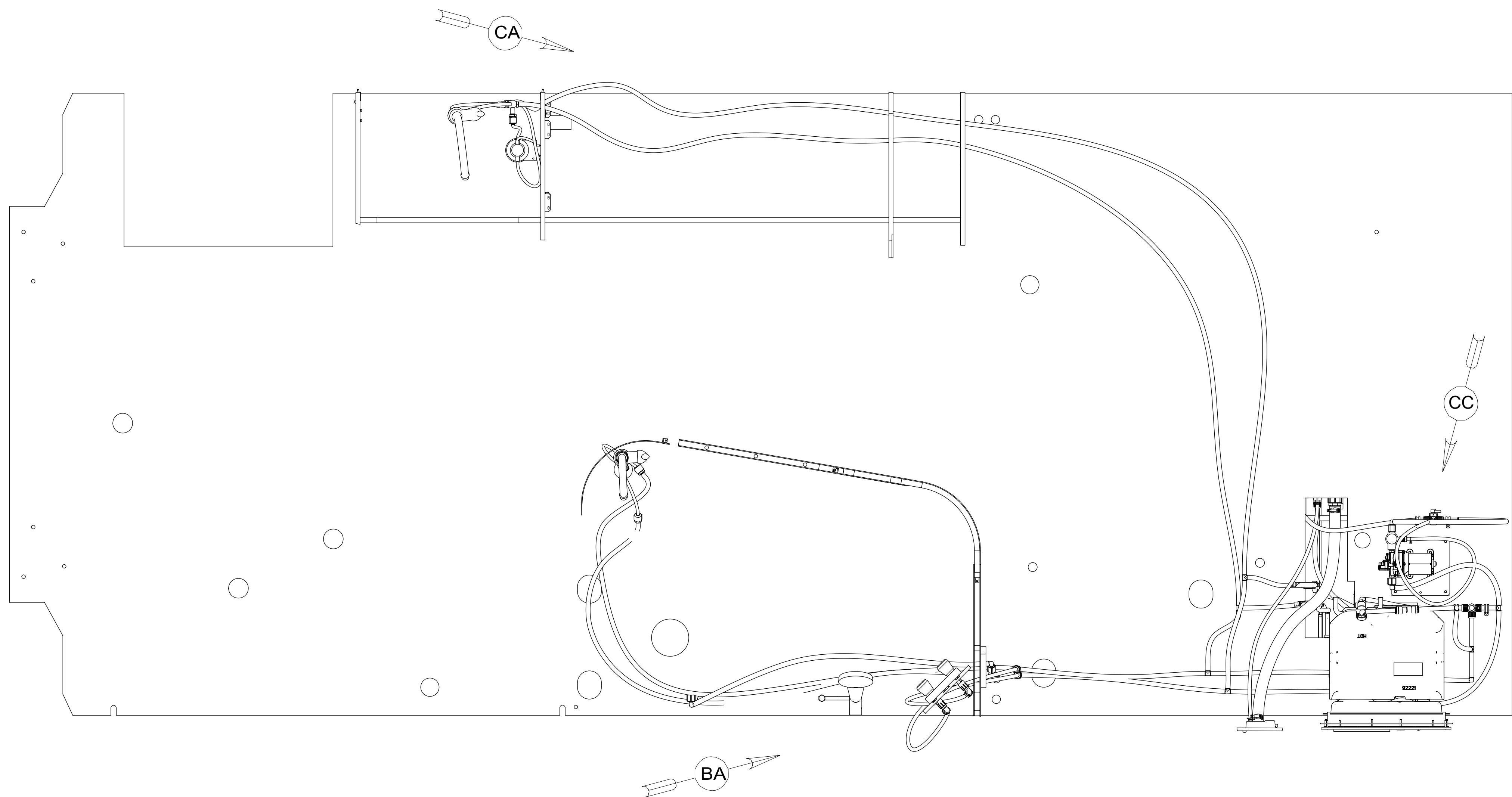
PAD-HEATER
 133972-03-000
 9 23T

HOSE
 177021-01-000
 (3660 MM)
 WIRE TIE MACERATOR PUMP
 HOSE UP TO THE CHASSIS
 FRAME ASM

VIEW DA

FIRST USED	15 524V		
TITLE:	DO NOT SCALE DRAWING		
TITLE:	DRAINAGE SYSTEM INSTL		
SHEET 4	PART NO	188324	REV
			1 24-Jul-2015

*188324 *A



- 1B1 CODES/STANDARDS USA
- 265 CODES/STANDARDS-CSA/CMVSS
- 29B WATER PURIFIER
- 501 WATER PURIFIER WITHOUT

- 9 ALL CRIMP FITTINGS TO PEX TUBING REQUIRE 5/8" CLAMP 140171-04-000.
- 8 INSTALL BETWEEN MOUNTING PLATE AND RETAINING NUTS
- 7 LAVATORY FAUCET SPOUT TO BE TURNED 180 DEGREES SO THE ON/OFF HANDLE IS FACING TOWARD THE SHOWER.
- 6 INSTALL CONNECTOR WITH TAPERED END AWAY FROM FAUCET.
- 5 ADD PIPE WRAP (LADDER SCRAP 110157-02-000) INSULATION.
- 4 ADD TEFLON TAPE 010405-01-000.
- 3 ALL TUBING TO BE SECURED AT 1200 INTERVALS MAXIMUM WITH CLAMP 010495-01-000 AND SCREW 000G67-10-12B OR EQUIVALENT.
2. TUBING TO BE INSTALLED WITH SUFFICIENT SLOPE TO PROVIDE DRAINAGE TO NEAREST VALVE.
1. PLASTIC FITTINGS TO BE SEALED WITH SEALANT 084456-01-000.

NOTES:

FOR WATER CALLOUTS SEE DWG NO 116230-01-000

WINNEBAGO		COPYRIGHT 2014 WINNEBAGO INDUSTRIES, INC.	
DFT-ORIG	ORIG. DATE	ALL DIMENSIONS ARE IN MILLIMETERS	
CHKR			
P.E.			
M.E.	FIRST USED		
DSNR		15 524V	
UNSPECIFIED TOLERANCES ARE:		MATERIAL:	
WHOLE DIM (X)	: 3		
ONE-PLACE (X.X)	: 1.5		
TWO-PLACE (X.XX)	: 0.50		
ANGLE	: 1°		
THIRD ANGLE PROJECTION			
DO NOT SCALE DRAWING		REFER TO ES0018 FOR FASTENER TIGHTENING GUIDELINES	
TITLE: WATER SYSTEM INSTL			
SHEET 1 OF 4	PART NO 188323	REV	
REF:	1	21-Jul-2015	

188323

FAUCET-LAV
171481-01-CHT
WASHER
000E13-13-00U(2)

PANEL-SHOWER FAUCET
167738-02-CHT
SCREW
000G37-08-12U(4)

SHOWER HEAD
187372-01-CHT

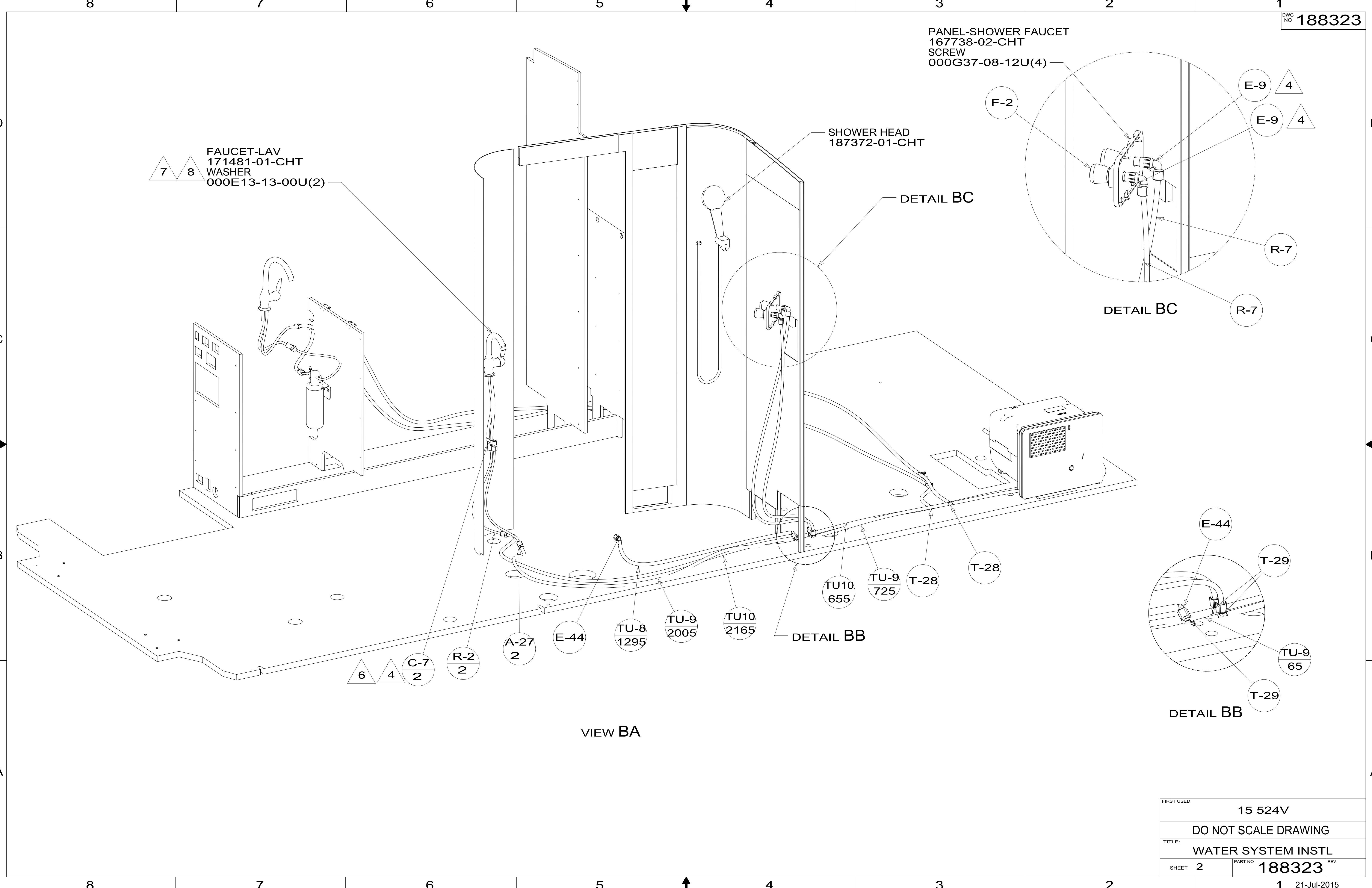
DETAIL BC

DETAIL BC

DETAIL BB

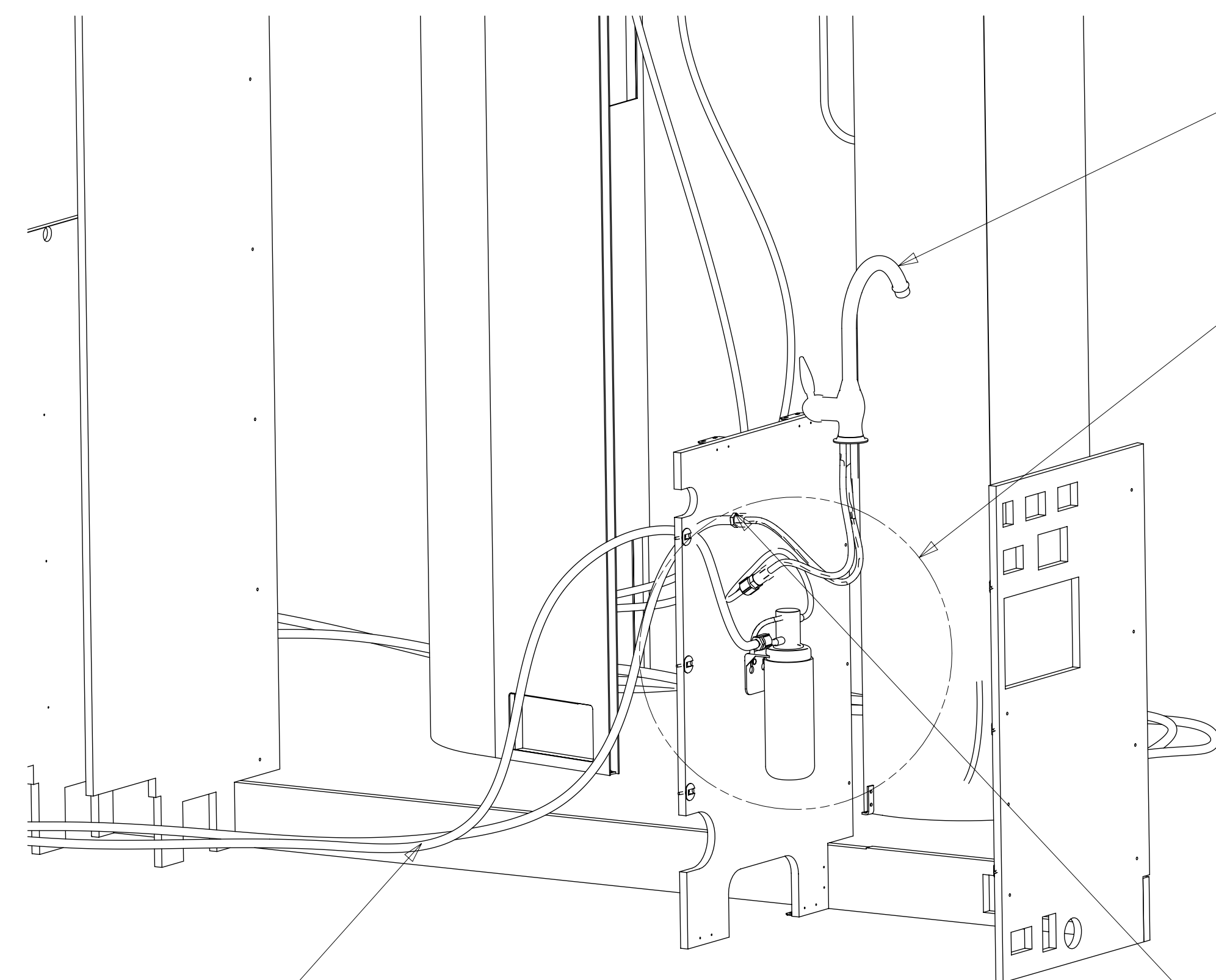
DETAIL BB

VIEW BA



FIRST USED	15 524V		
TITLE:	DO NOT SCALE DRAWING		
SHEET	2	PART NO	188323
		REV	1
			21-Jul-2015

188323



VIEW CA

- FAUCET-GAL 171482-02-CHT
- DETAIL CB
- WATER HEATER INSTL 186899-03-000
- CABLE 076767-03-000
- SCREW 000G11-06-08U(2)

- TU10 135
- E-46
- V-7
- TU10 155
- E-43
- TU10 320
- E-43
- TU-9 1175

DETAIL CE

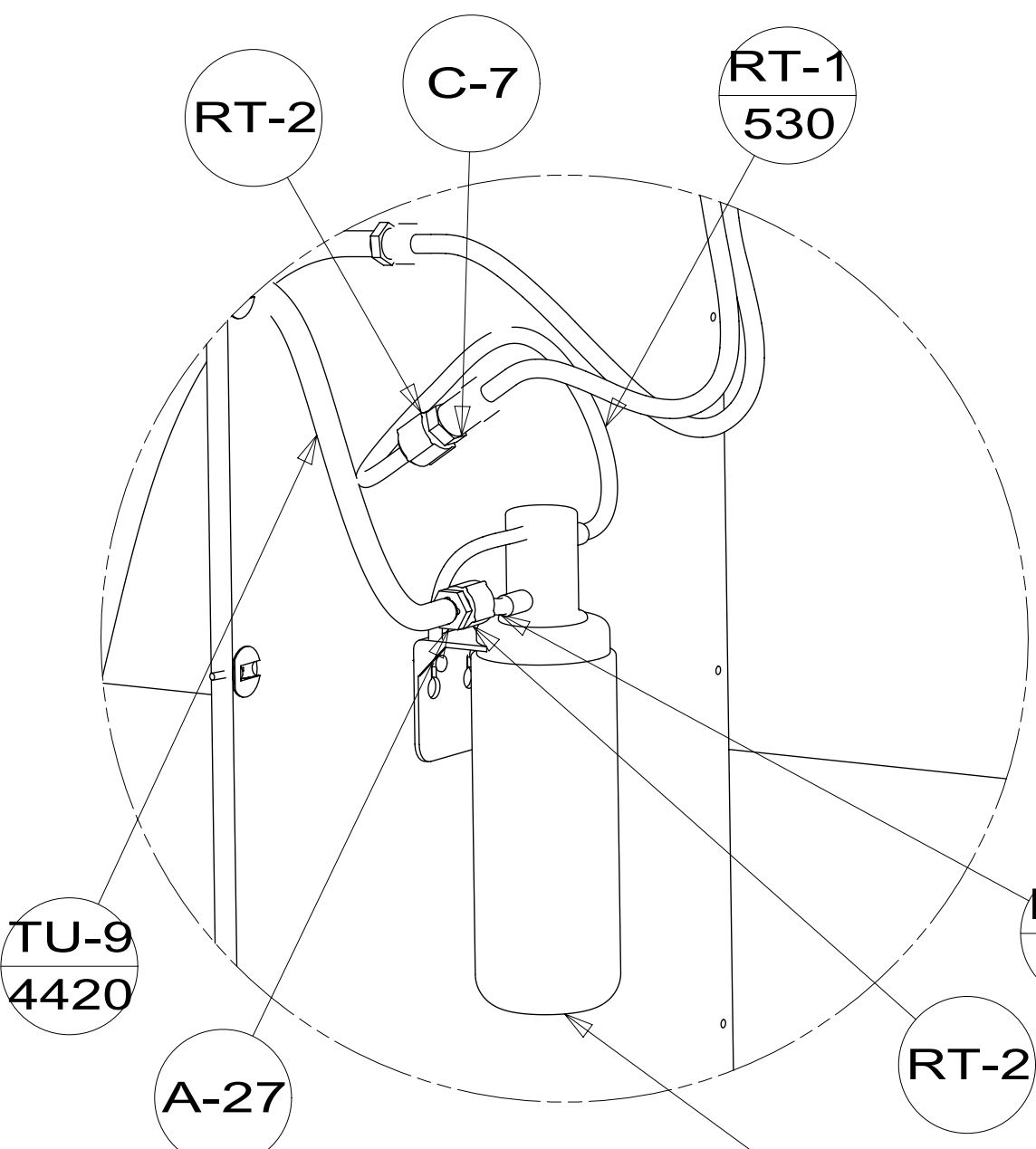
- PLATFORM ASM 144200-A3-000

- TU-8 485
- TU-8 665
- TU-9 370
- TU-3 1000

VIEW CC

DETAIL CD

TO WATER TANK

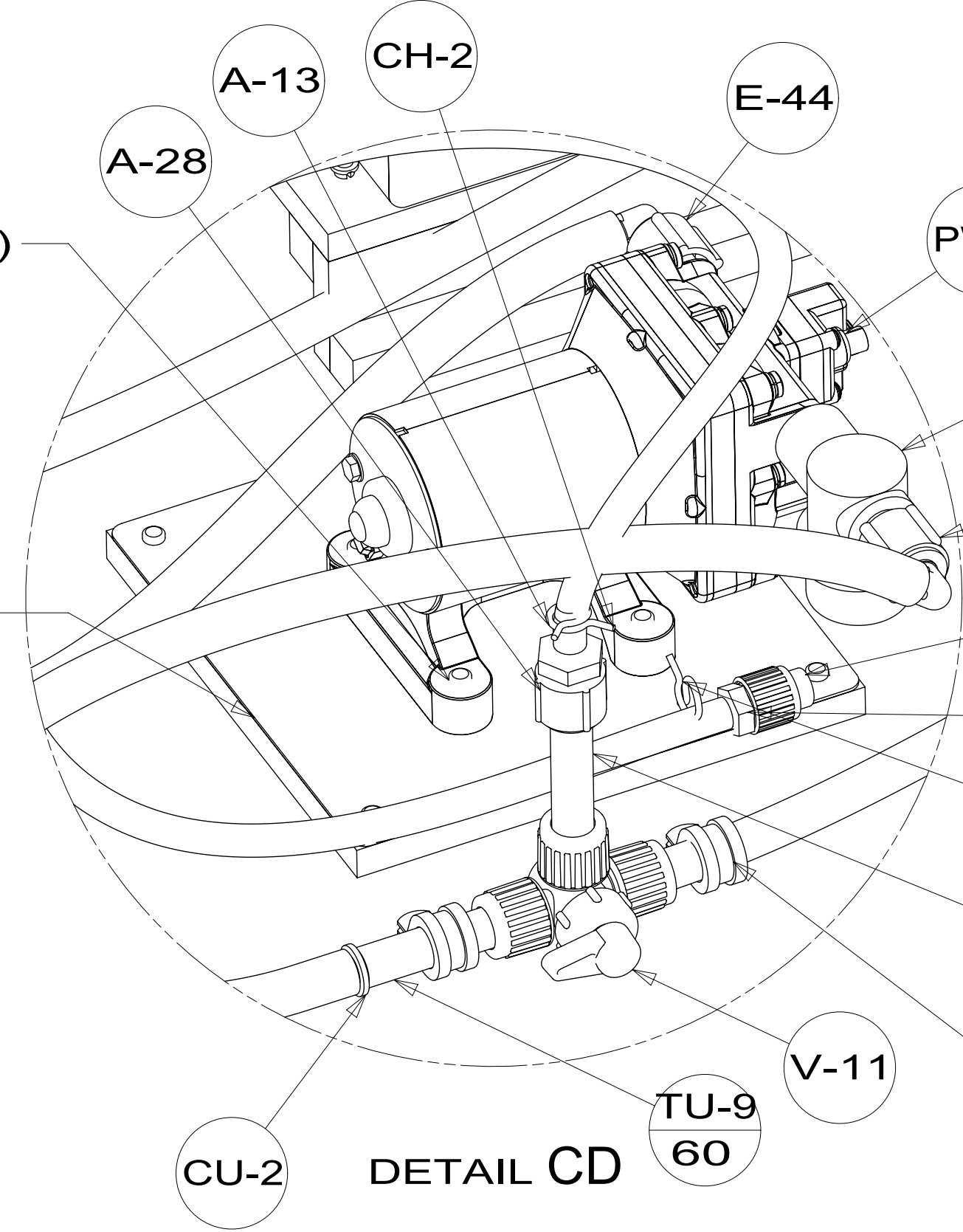


DETAIL CB

- FILTER KIT-WATER,SINK 160946-03-000
- SCREW 000G67-10-12U(2)

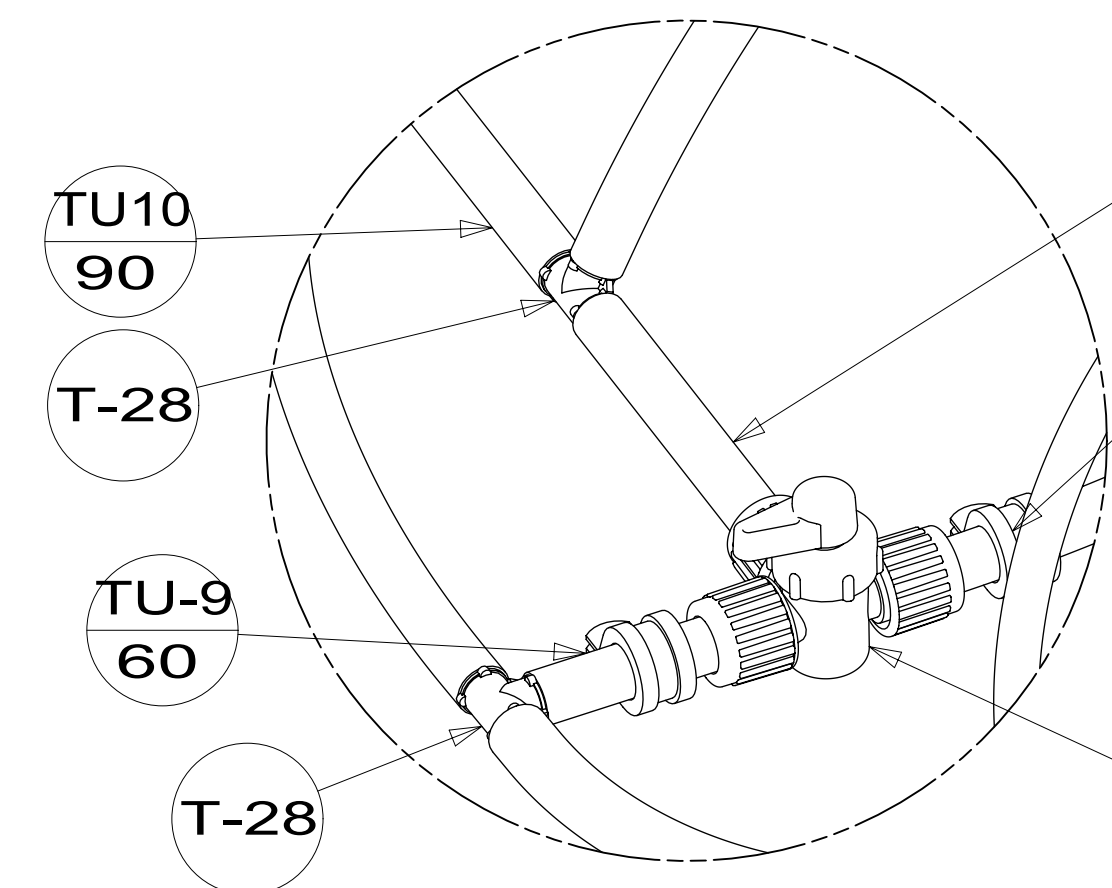
- SCREW-PAN,HEAD 000G39-08-16U (4)

- PANEL-WATER PUMP 149477-04-CHT
- FOAM 140364-01-CHT
- SCREW 000G39-08-24U (4)



DETAIL CD

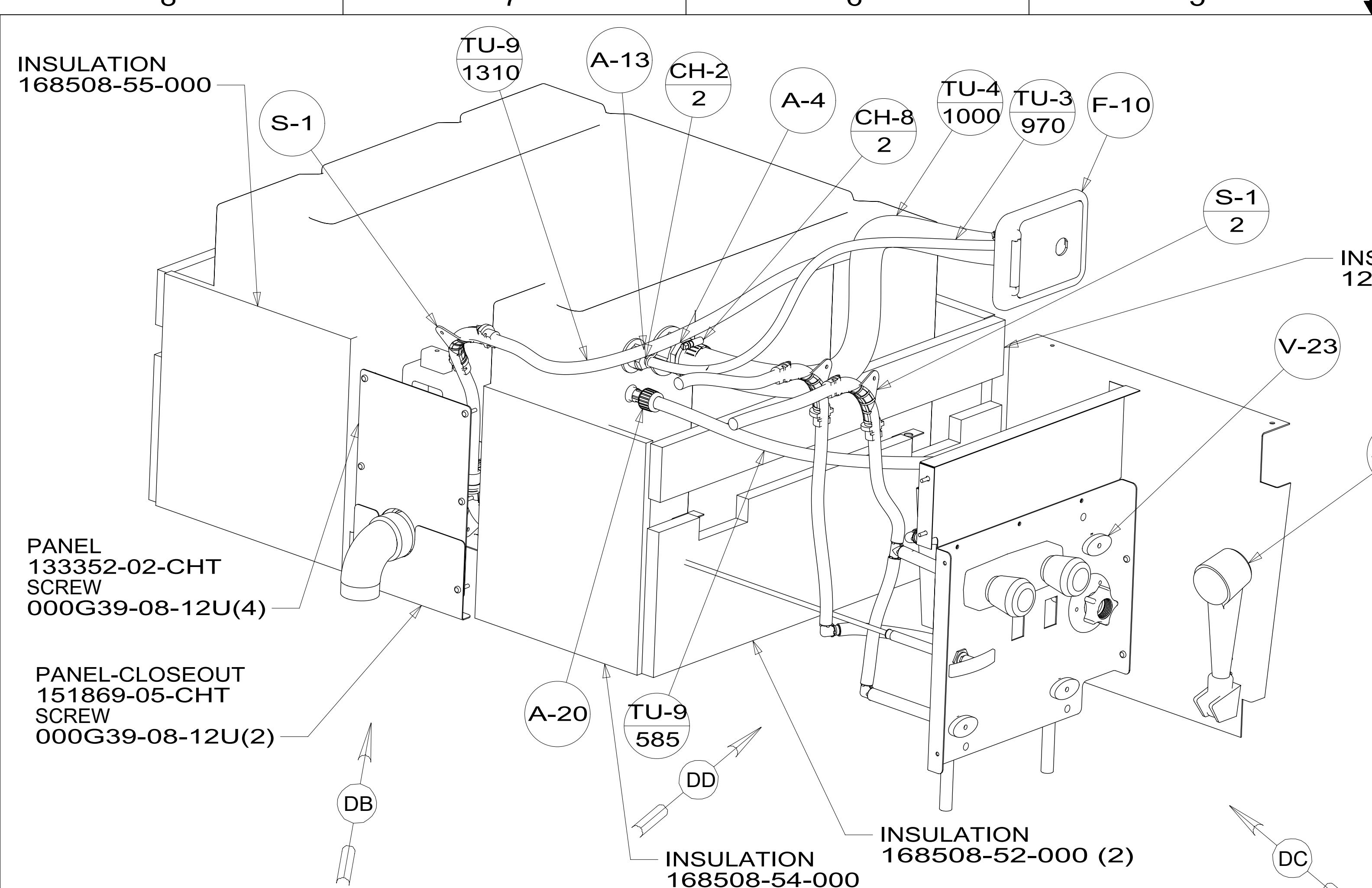
- CLAMP 010497-01-000(2)
- SCREW 000G39-08-12U(2)



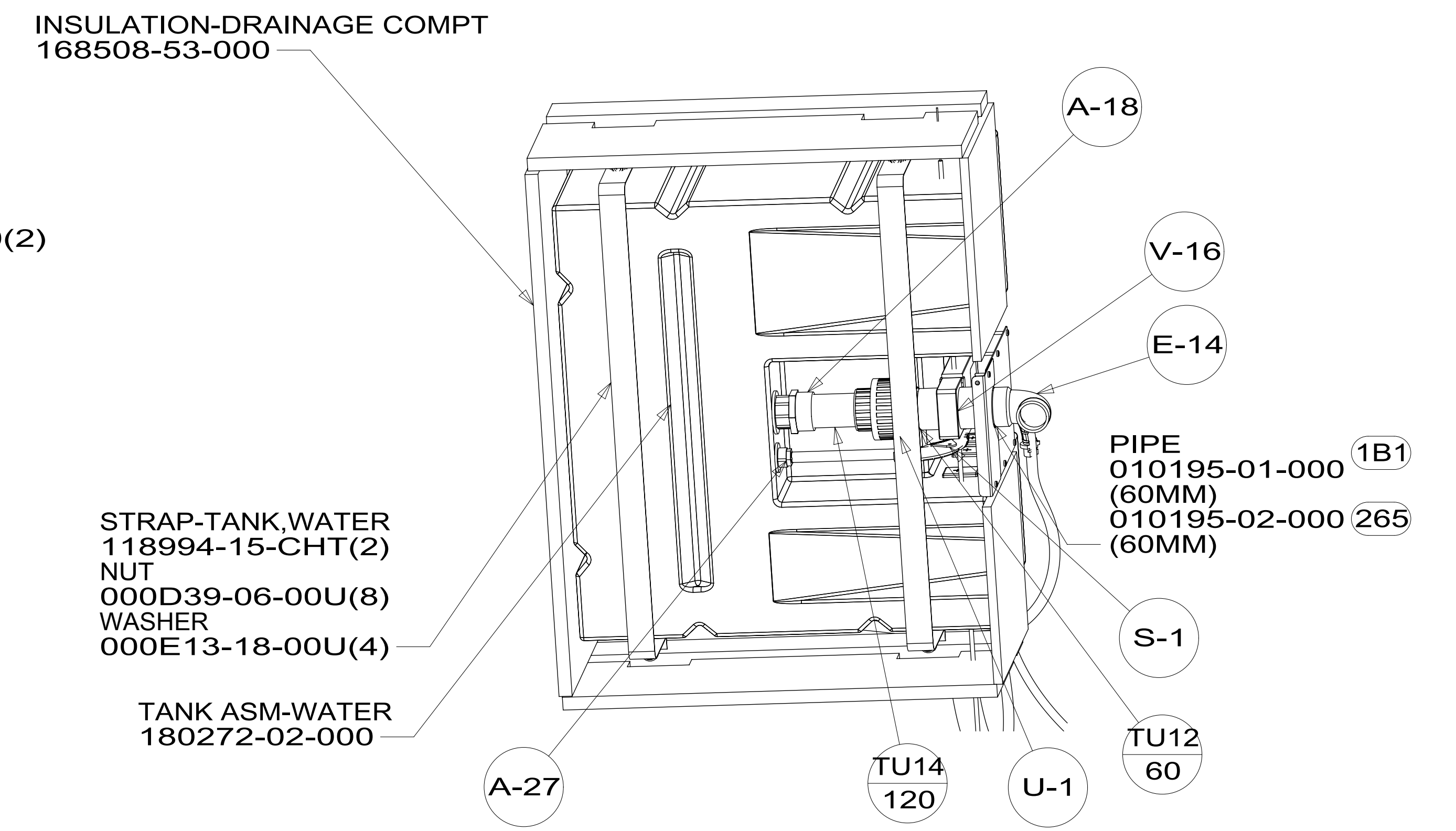
DETAIL CE

FIRST USED	15 524V	
TITLE:	DO NOT SCALE DRAWING	
SHEET 3	PART NO 188323	REV
		1 21-Jul-2015

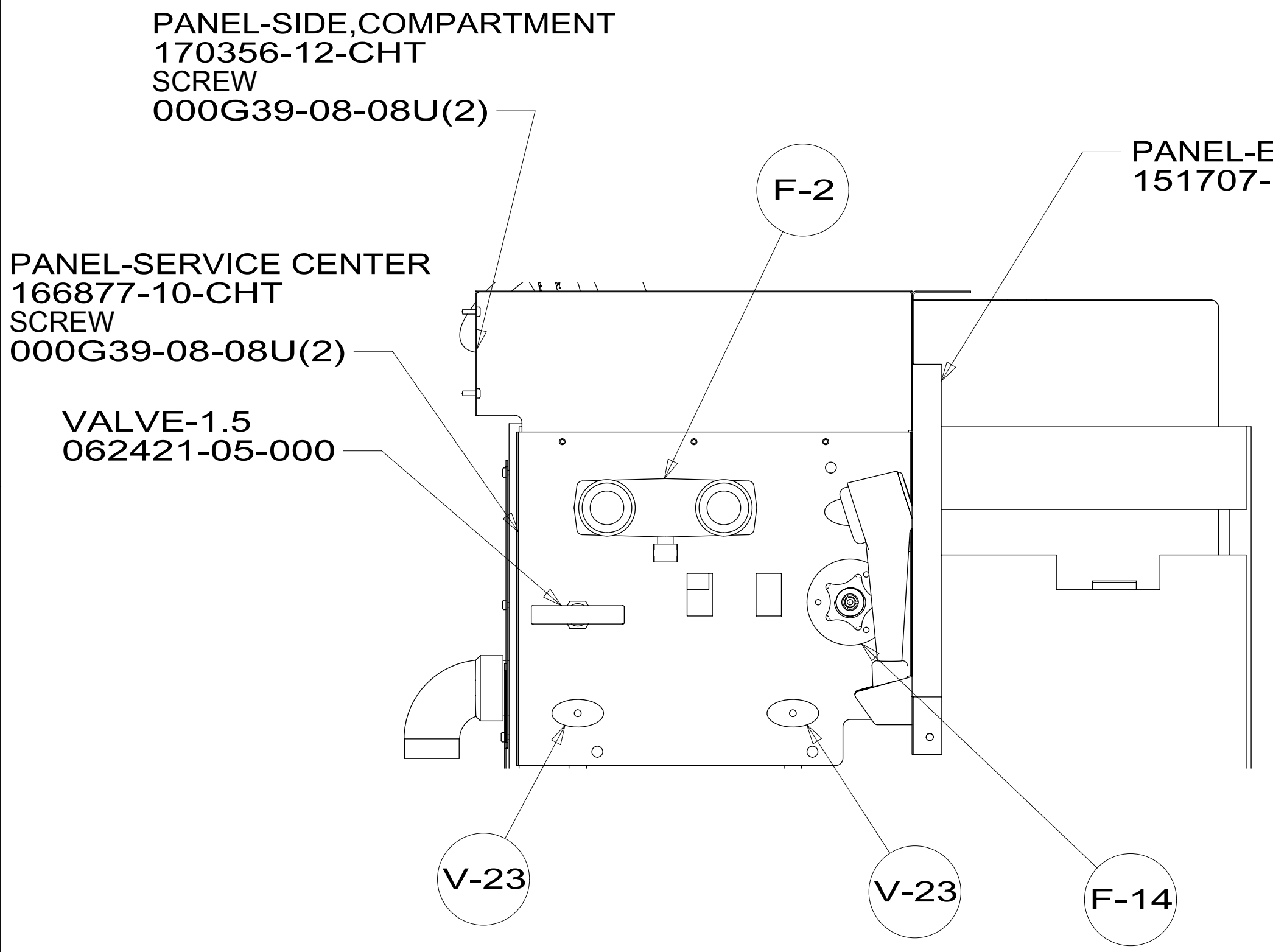
188323



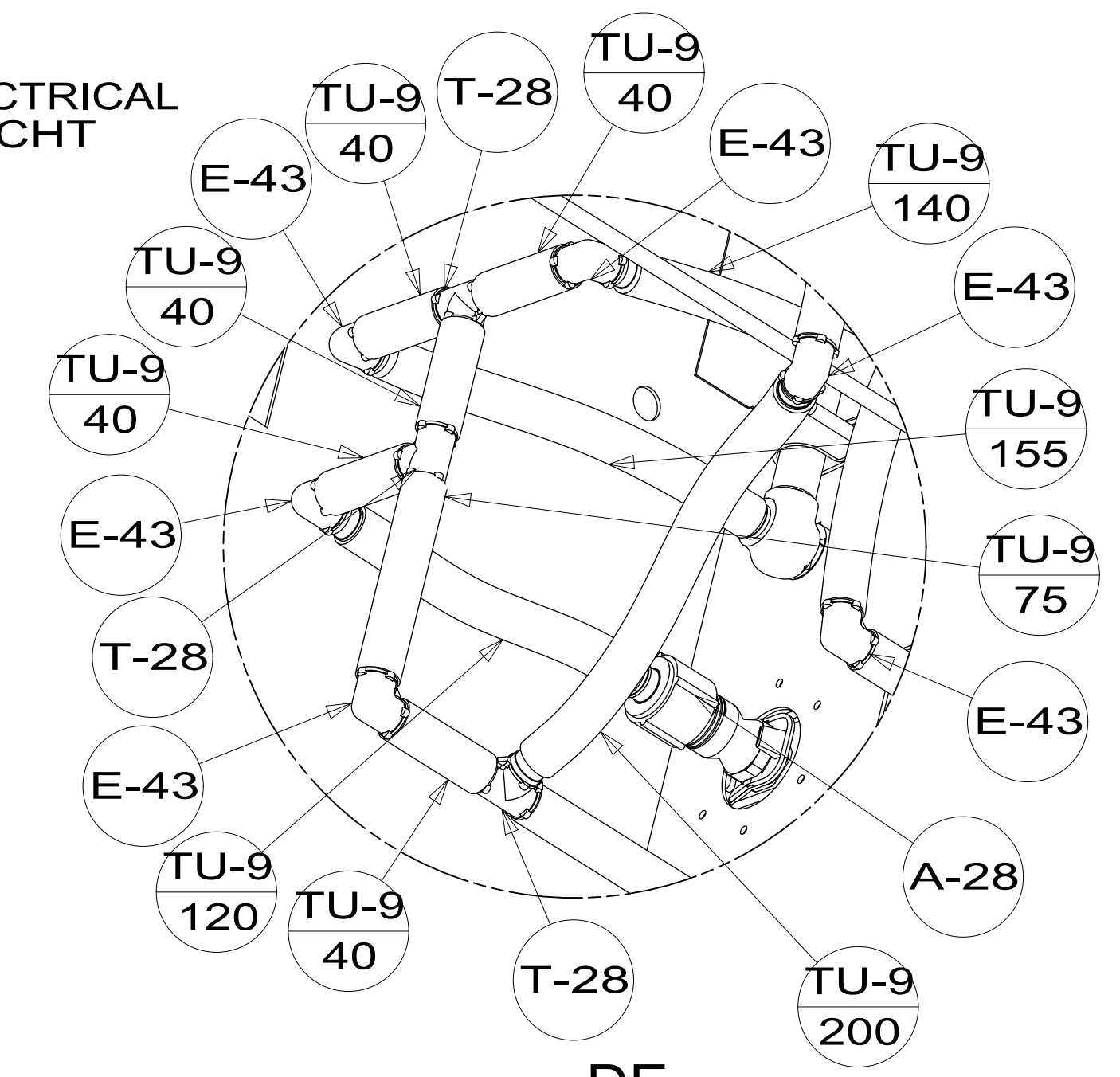
VIEW DA



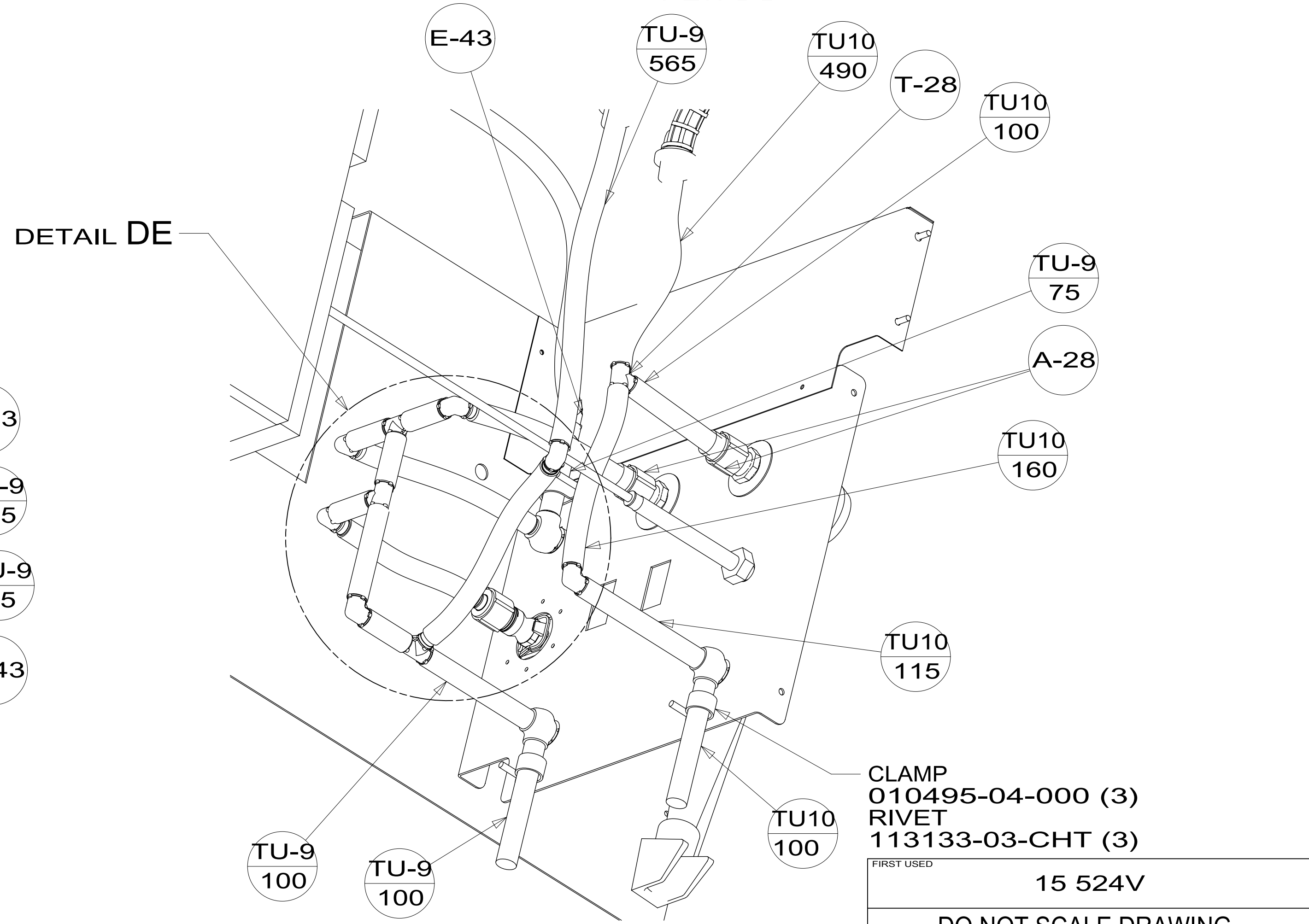
VIEW DB



VIEW DC



DETAIL DE



VIEW DD

FIRST USED	15 524V
DO NOT SCALE DRAWING	
TITLE: WATER SYSTEM INSTL	
SHEET 4	PART NO 188323 REV
1 21-Jul-2015	

188323