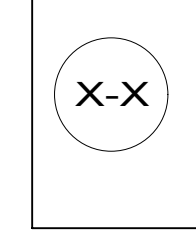


- 13 REMOVE SWIVEL NUT ON TRAP-WATERLESS 165406-01-000 AND CONNECT A-10.
- 12 FOLLOW SEWAGE MACERATOR PUMP WINTERIZATION PROCEDURE. EACH PUMP REQUIRES TWO GALLONS OF RV ANTIFREEZE 157665-02-000.
- 11 PREP THE SURFACE PER MANUFACTURERS INSTRUCTIONS BEFORE APPLYING THE HEATING PAD.
- 10 SEE WIRING INSTL-BODY FOR ELECTRICAL CONNECTION.
- 9. SEE DRAWING 061607 FOR INSTALLATION OF GROMMETS.
- 8. SECURE DRAINAGE PIPES TO CABINET USING WIRE TIE 108046-02-000, AND SCREW 000G67-10-12U AT INTERVALS OF NOT OF NOT MORE THAN 4 FEET APART.
- 7 SECURE VENT PIPE TO FLOOR WITH CLAMP 062401-02-000 (2), SCREW 000G67-10-12U (2), BRACKET 136878-01-CHT (2).
- 6 VENT PIPE MUST PROJECT 51 MIN AND 64 MAX ABOVE ROOF FOR PROPER FIT AND FUNCTION. ADD S-1 (116666-01-CHT SEAL-VENT PIPE) AROUND PIPE ON ROOF BEFORE VENT CAP IS INSTALLED.
- 5. SEAL AROUND SHOWER WITH SILICONE.
- 4 USE SMOOTH PLUMBERS PUTTY 167459-01-000 TO SEAL STRAINER (0.2 PER STRAINER).
- 3. ALL PIPE AND FITTINGS TO BE ASSEMBLED WITH SOLVENT 004020-01-000 (USA), 004020-02-000 (CAN)
- 2. SLOPE OF TRAP ARM MUST BE 6 PER 305 mm.
- 1. SLOPE OF HORIZONTAL PIPING TO BE MINIMUM OF 3 PER 305 mm.

- 23T DRAINAGE SYSTEM-HEATED
- 265 CODES/STANDARDS-CSA/CMVSS
- 1B1 CODES/STANDARDS USA

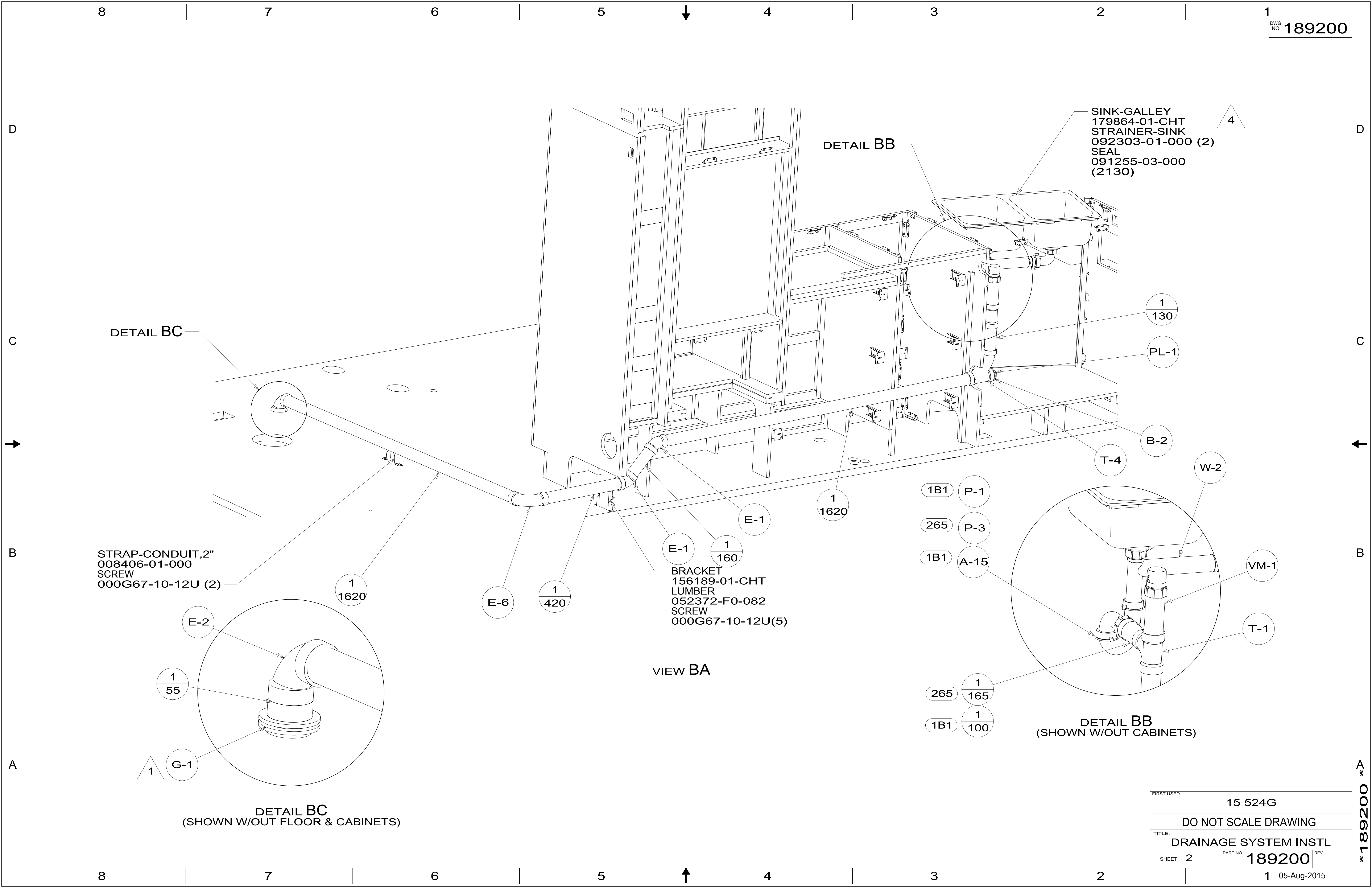
		COPYRIGHT 2014 WINNEBAGO INDUSTRIES, INC.
DFT-ORIG	ORIG. DATE	
CHKR	ALL DIMENSIONS ARE IN MILLIMETERS	
P.E.		
M.E.	FIRST USED	
DSNR	15 524G	
UNSPECIFIED TOLERANCES ARE:		MATERIAL:
WHOLE DIM (X)	: 3	
ONE-PLACE (X.X)	: 1.5	
TWO-PLACE (X.XX)	: 0.50	
ANGLE	: 1°	
THIRD ANGLE PROJECTION		
DO NOT SCALE DRAWING		REFER TO ES0018 FOR FASTENER TIGHTENING GUIDELINES
TITLE: DRAINAGE SYSTEM INSTL		
SHEET 1 OF 4	PART NO	189200
REF:	1 05-Aug-2015	

FOR DRAINAGE CALLOUTS SEE DWG NO 116229-01-000



NOTES:

189200



SINK-GALLEY
179864-01-CHT
STRAINER-SINK
092303-01-000 (2)
SEAL
091255-03-000
(2130)

DETAIL BC

DETAIL BB

STRAP-CONDUIT, 2"
008406-01-000
SCREW
000G67-10-12U (2)

BRACKET
156189-01-CHT
LUMBER
052372-F0-082
SCREW
000G67-10-12U(5)

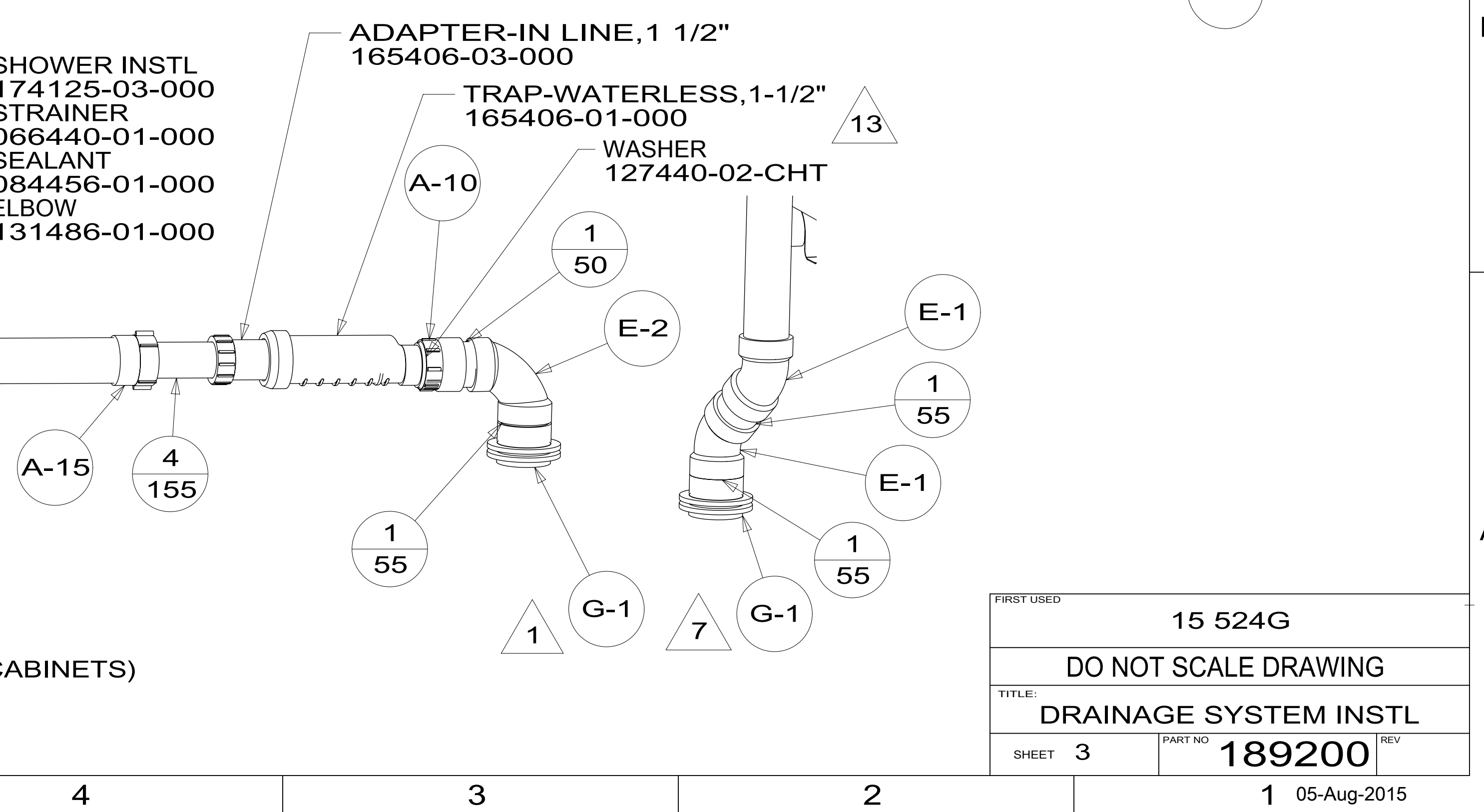
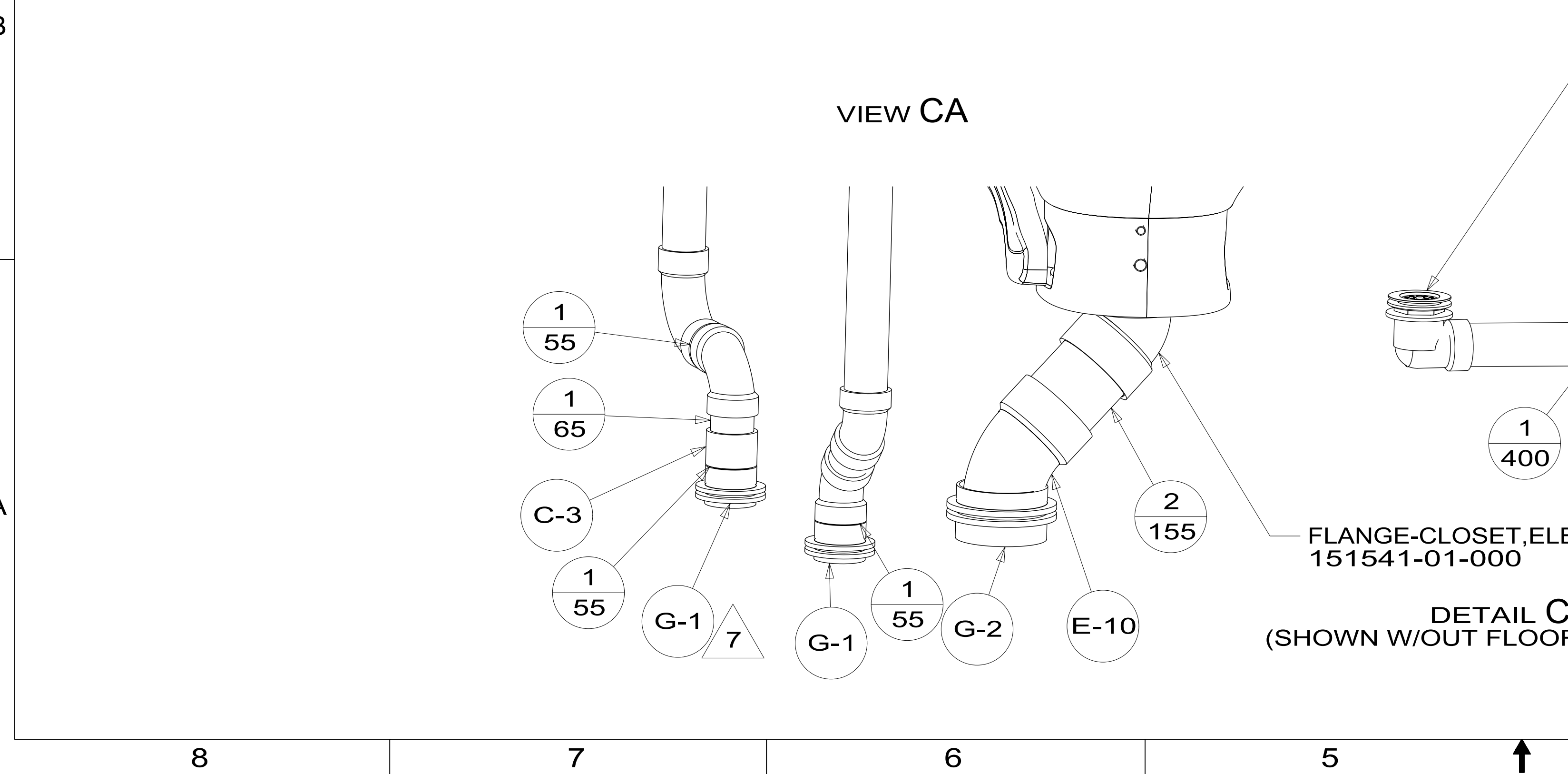
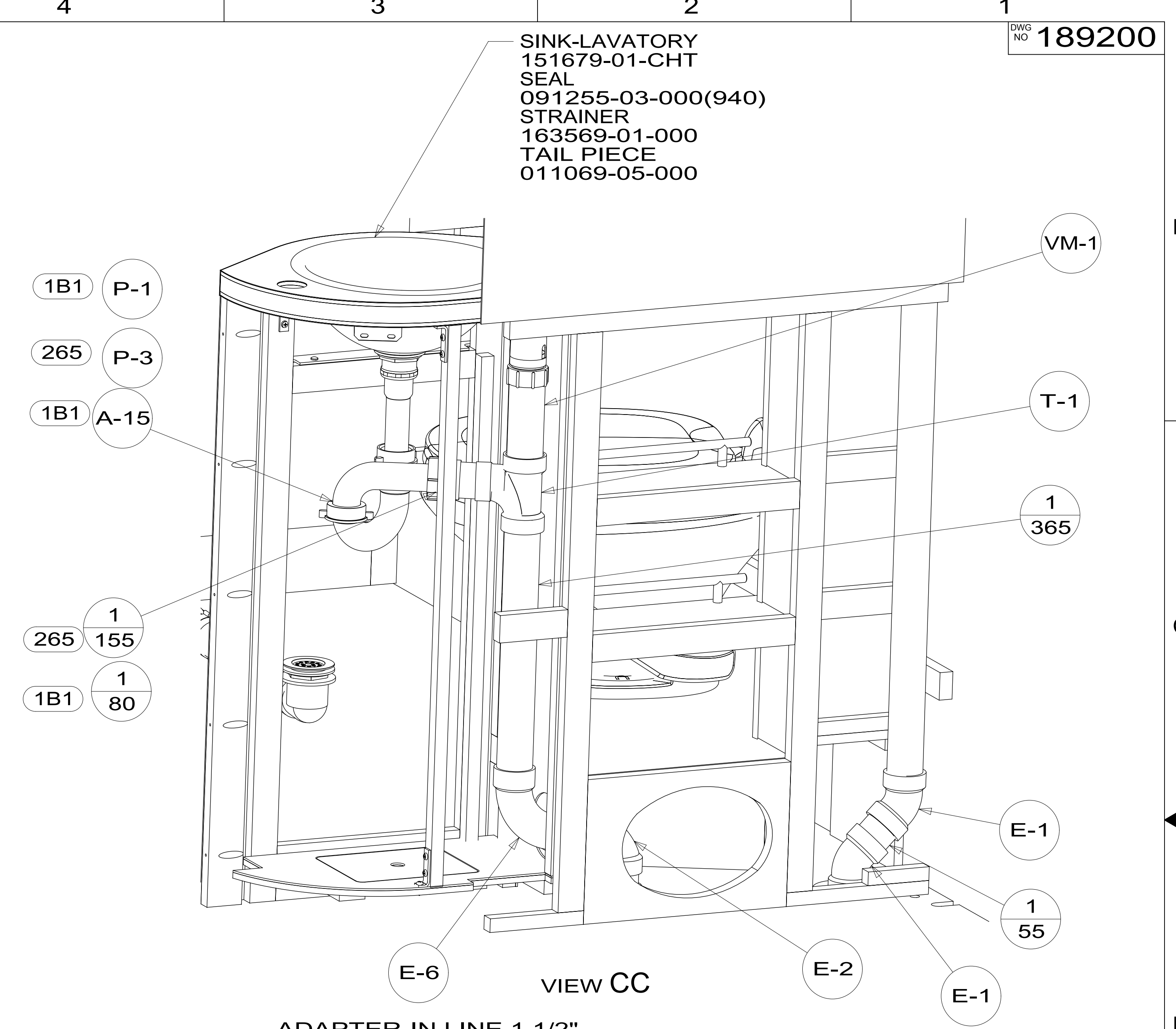
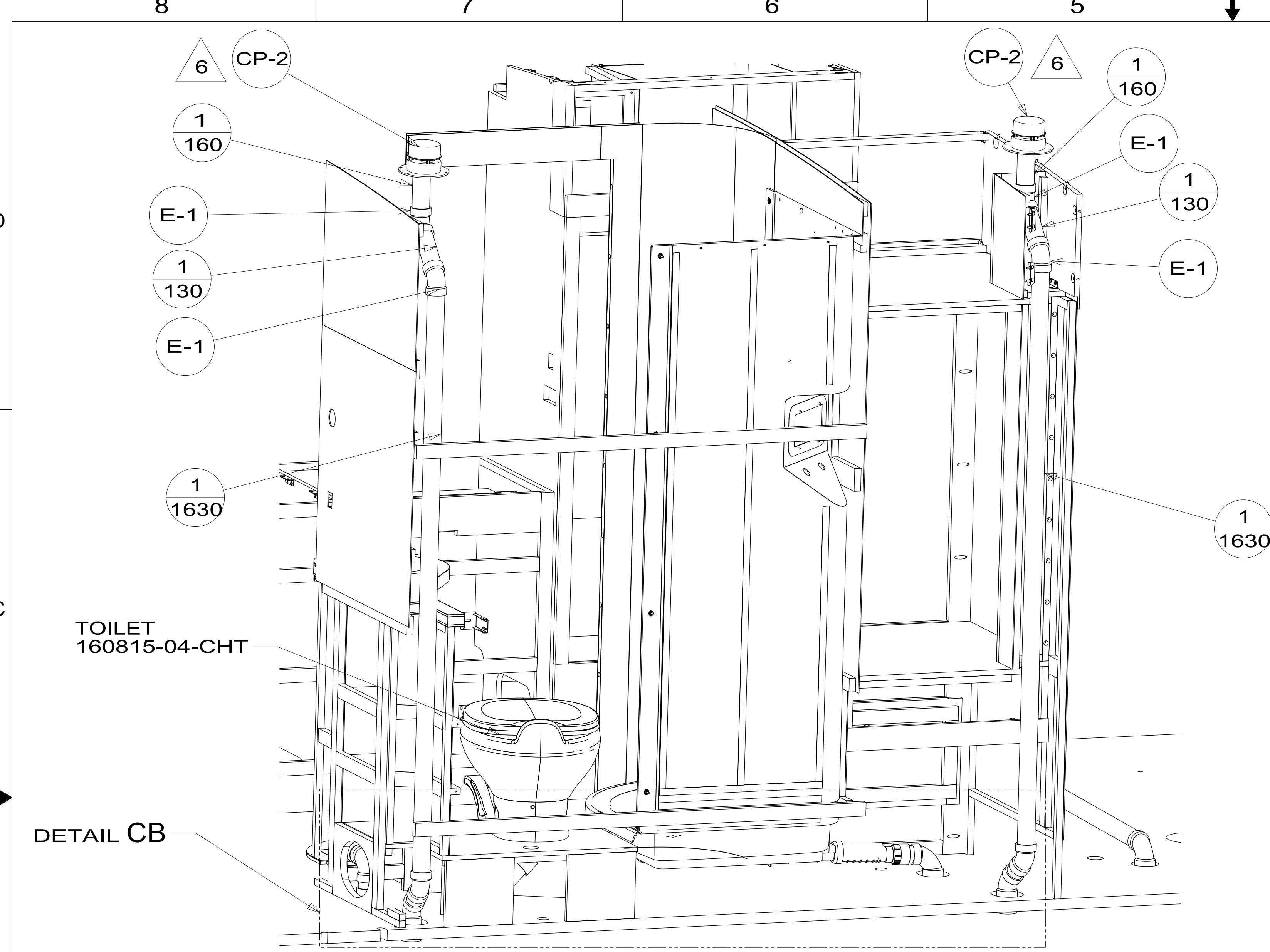
DETAIL BB
(SHOWN W/OUT CABINETS)

DETAIL BC
(SHOWN W/OUT FLOOR & CABINETS)

VIEW BA

FIRST USED	15 524G		
TITLE:	DO NOT SCALE DRAWING		
SHEET	2	PART NO	189200
REV			1 05-Aug-2015

189200



FIRST USED	15 524G	
TITLE:	DO NOT SCALE DRAWING	
SHEET	3	PART NO 189200
REV	1	05-Aug-2015

189200

BRACKET ASM-TANK,MOUNT
171765-01-CHT
SCREW
000G39-10-12U(3)

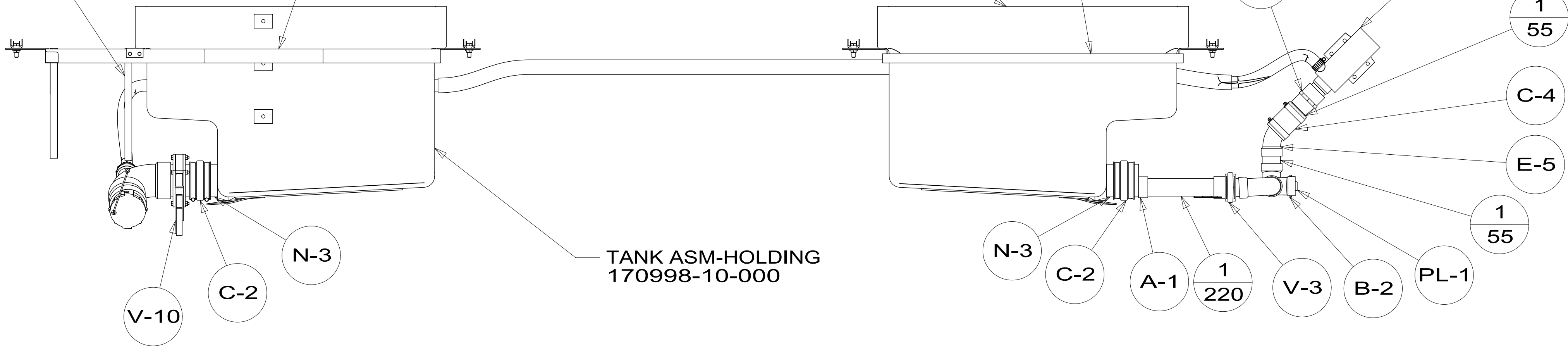
CRADLE ASM
137611-08-CHT
ULOCK-RISER
151437-10-CHT(2)
BOLT-ELEVATOR
000C12-06-20U(4)
NUT
000D39-06-00U(4)

CRADLE ASM
137611-04-CHT
ULOCK-RISER
151437-10-CHT(2)
BOLT-ELEVATOR
000C12-06-20U(4)
NUT
000D39-06-00U(4)

12 PUMP-MACERATOR
165762-02-000
SCREW
000G19-10-20U(4)
WASHER
000E13-11-00U(4)
NUT
000D24-10-00U(4)

TANK ASM-HOLDING
170998-07-000

TANK ASM-HOLDING
170998-10-000



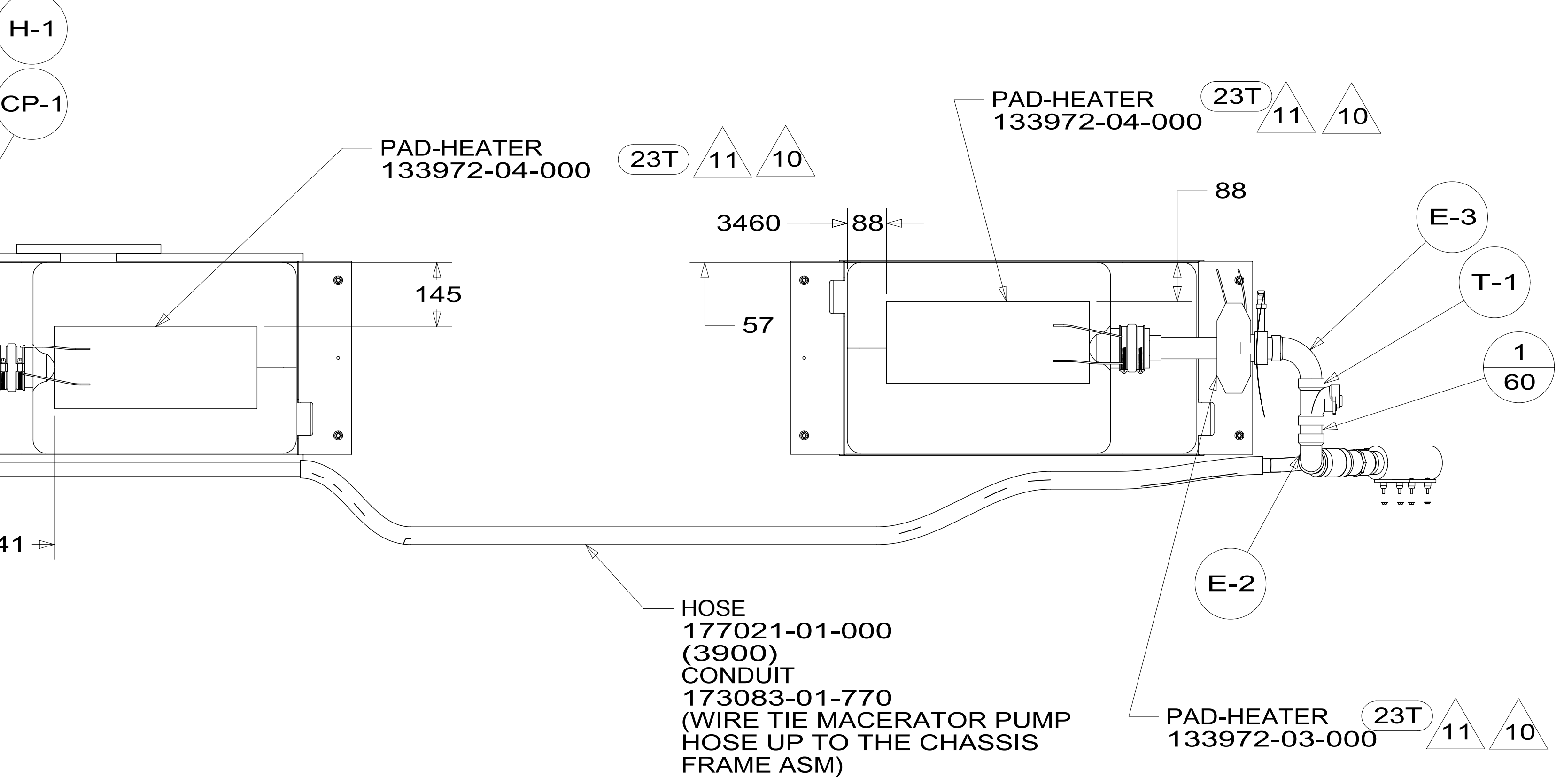
1487

DATUM

1102

VEHICLE

FRONT AXLE



BOTTOM VIEW SHOWING ONLY DRAINS AND TANKS

FIRST USED	15 524G		
TITLE:	DO NOT SCALE DRAWING		
TITLE:	DRAINAGE SYSTEM INSTL		
SHEET 4	PART NO	189200	REV

189200

8

7

6

5

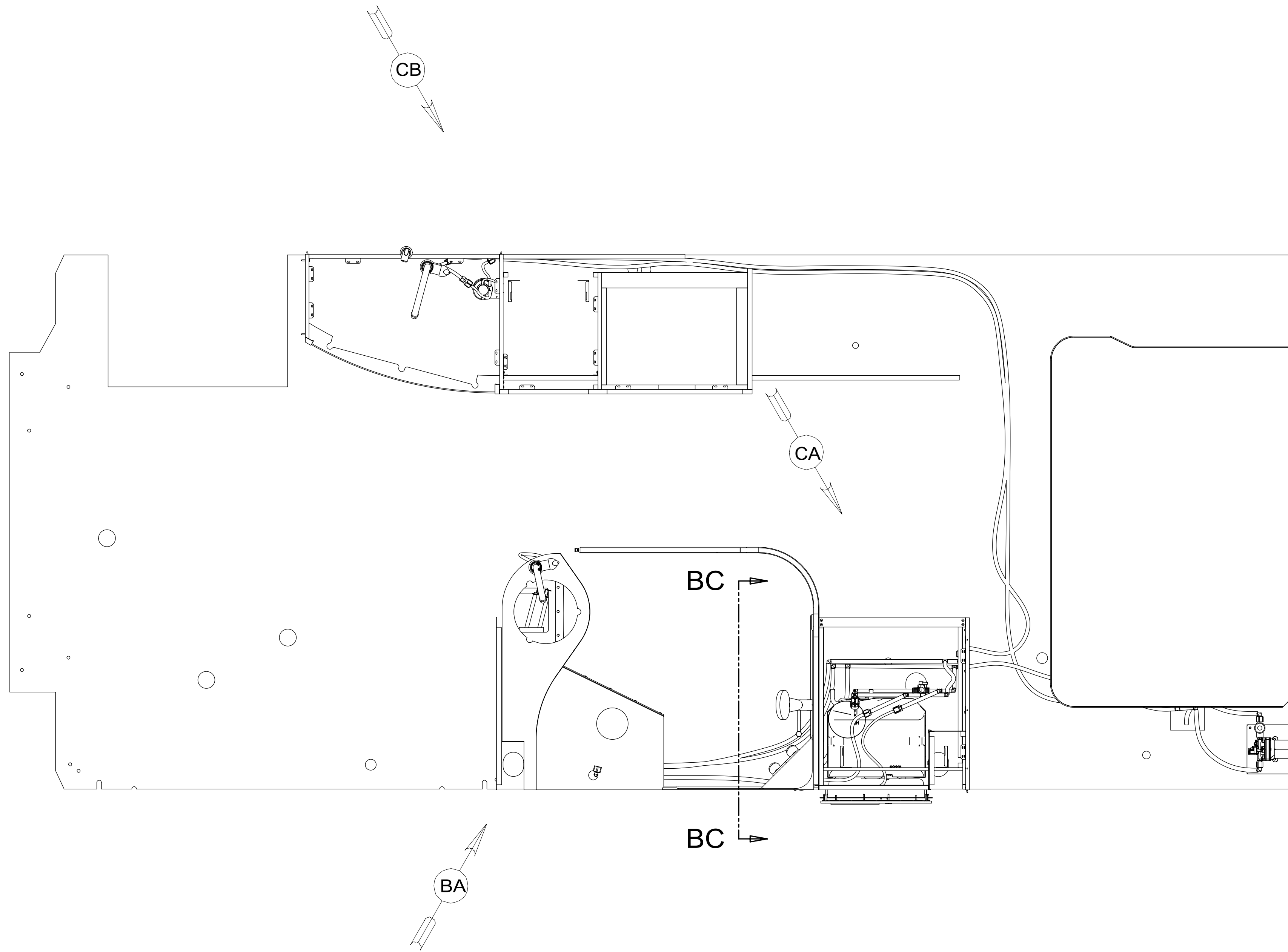
4

3

2

1

RELEASE	REV/DATE	DWG NO	189199
REV ZONE	REVISION RECORD	DATE	DFT-ORIG



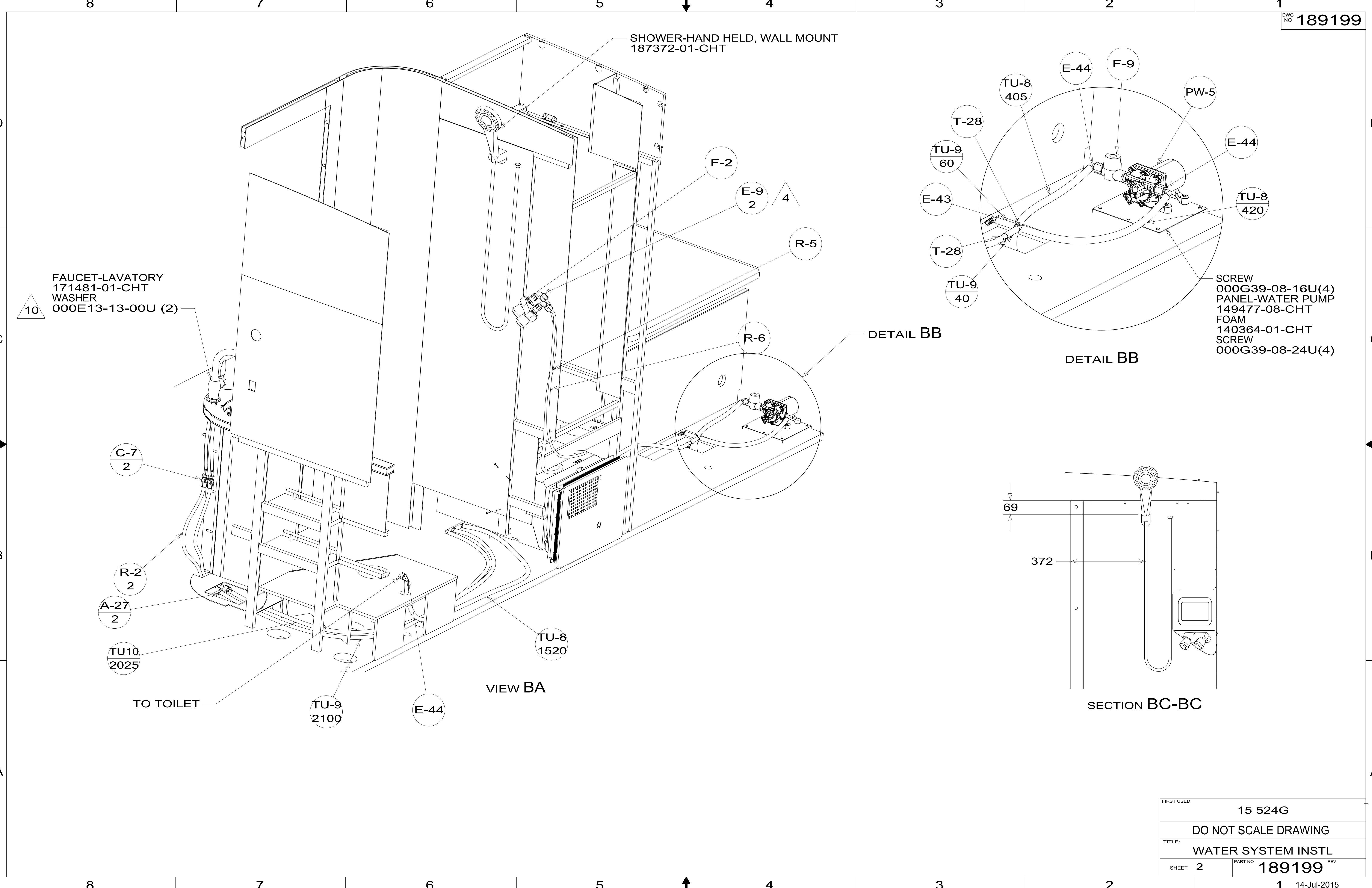
- 10. INSTALL BETWEEN MOUNTING PLATE AND RETAINING NUTS.
- 9. ALL CRIMP FITTINGS TO 3/4" PEX TUBING REQUIRE 3/4" CLAMP 140171-05-000.
- 8. ALL CRIMP FITTINGS TO 1/2" PEX TUBING REQUIRE 1/2" CLAMP 140171-03-000.
- 7. ALL CRIMP FITTINGS TO 5/8" FLEX TUBING REQUIRE 5/8" CLAMP 140171-04-000.
- 6. LABEL HOT AND COLD SUPPLY TUBES AND TAPE FITTING TO TUBE BEFORE CABINET SET TO PREVENT MOVEMENT.
- 5. ADD PIPE WRAP (LADDER SCRAP 110157-02-000) INSULATION.
- 4. ADD TEFLON TAPE 010405-01-000.
- 3. ALL TUBING TO BE SECURED AT 1200 INTERVALS MAXIMUM WITH CLAMP 010495-01-000 AND SCREW 000G67-10-12U OR EQUIVALENT.
- 2. TUBING TO BE INSTALLED WITH SUFFICIENT SLOPE TO PROVIDE DRAINAGE TO NEAREST VALVE.
- 1. PLASTIC FITTINGS TO BE SEALED WITH SEALANT 084456-01-000.

53E WINTERIZATION PACKAGE

		COPYRIGHT 2014 WINNEBAGO INDUSTRIES, INC.
DFT-ORIG	ORIG. DATE	
CHKR	ALL DIMENSIONS ARE IN MILLIMETERS	
P.E.		
M.E.	FIRST USED	
DSNR	15 524G	
UNSPECIFIED TOLERANCES ARE:		MATERIAL:
WHOLE DIM (X)	: 3	
ONE-PLACE (X.X)	: 1.5	
TWO-PLACE (X.XX)	: 0.50	
ANGLE	: 1°	
THIRD ANGLE PROJECTION		
DO NOT SCALE DRAWING	REFER TO ES0018 FOR FASTENER TIGHTENING GUIDELINES	
TITLE: WATER SYSTEM INSTL		
SHEET 1 OF 5	PART NO 189199	REV
REF:	1	14-Jul-2015

FOR WATER CALLOUTS SEE DWG NO 116230-01-000

* 189199 *

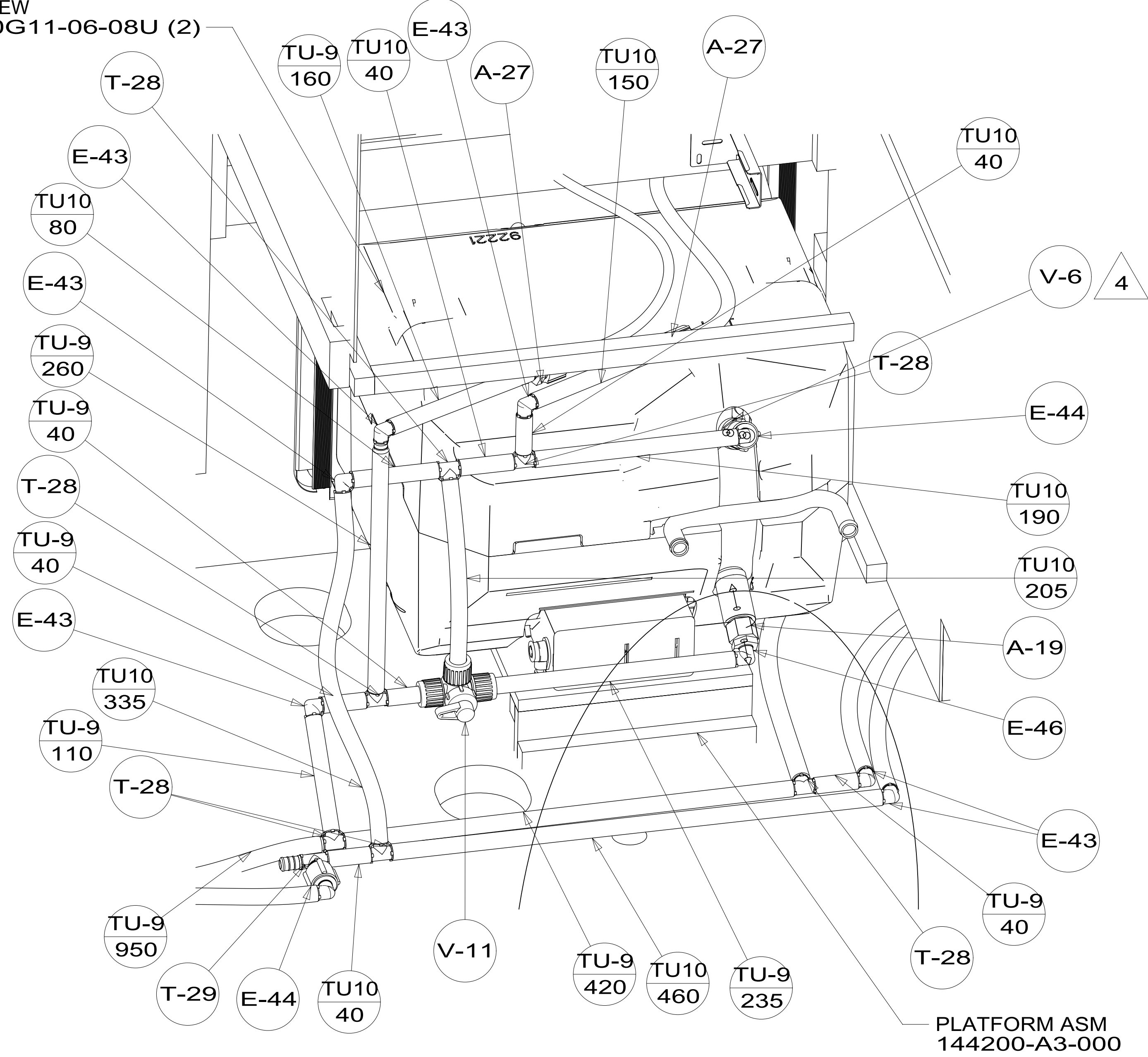


FIRST USED	15 524G		
TITLE:	DO NOT SCALE DRAWING		
TITLE:	WATER SYSTEM INSTL		
SHEET 2	PART NO	189199	REV
			1 14-Jul-2015

* 189199 *

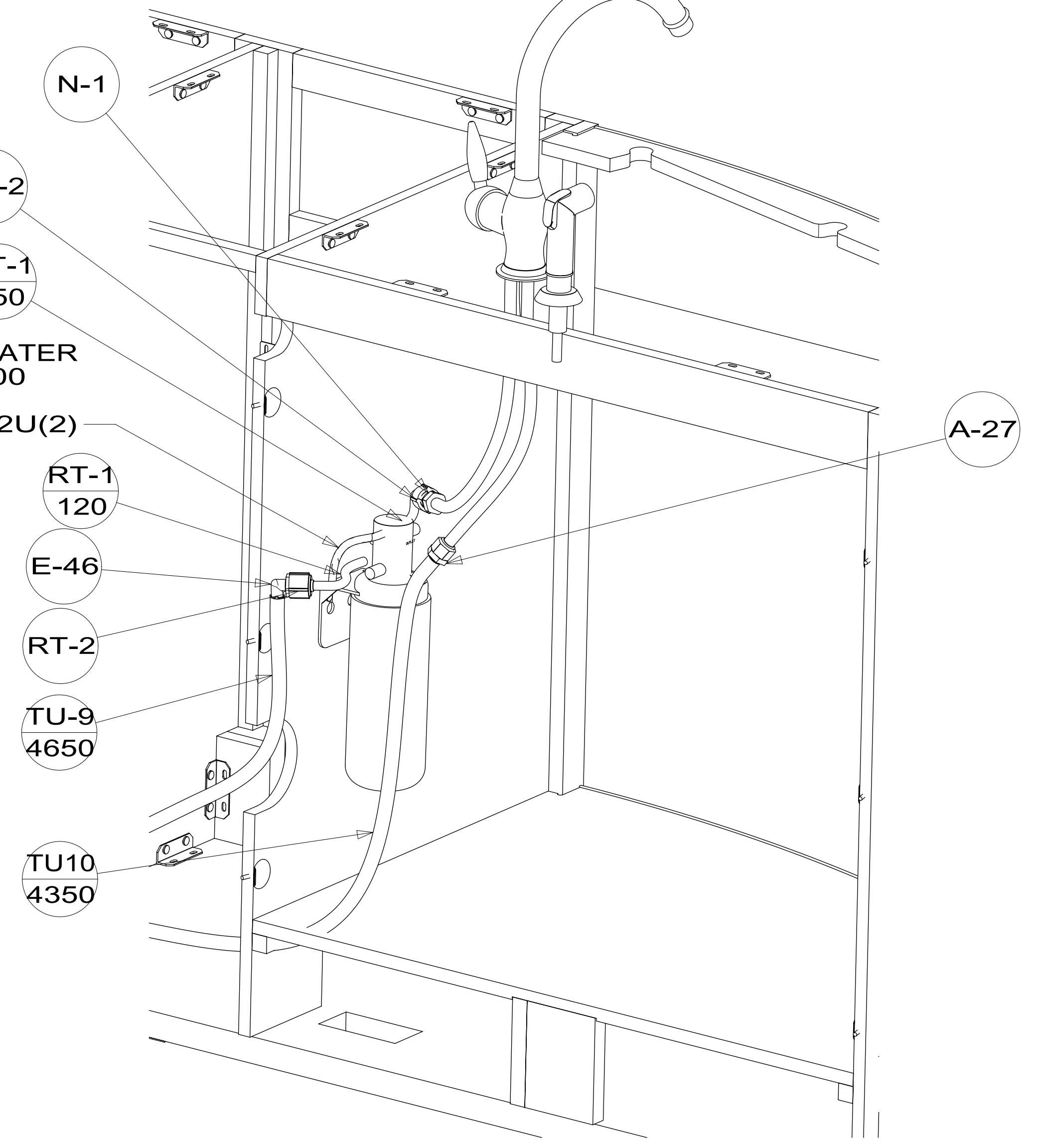
WATER HEATER INSTL
 186899-03-000
 CABLE
 076767-03-000
 SCREW
 000G11-06-08U (2)

FAUCET-GAL
 171482-02-CHT



VIEW CA

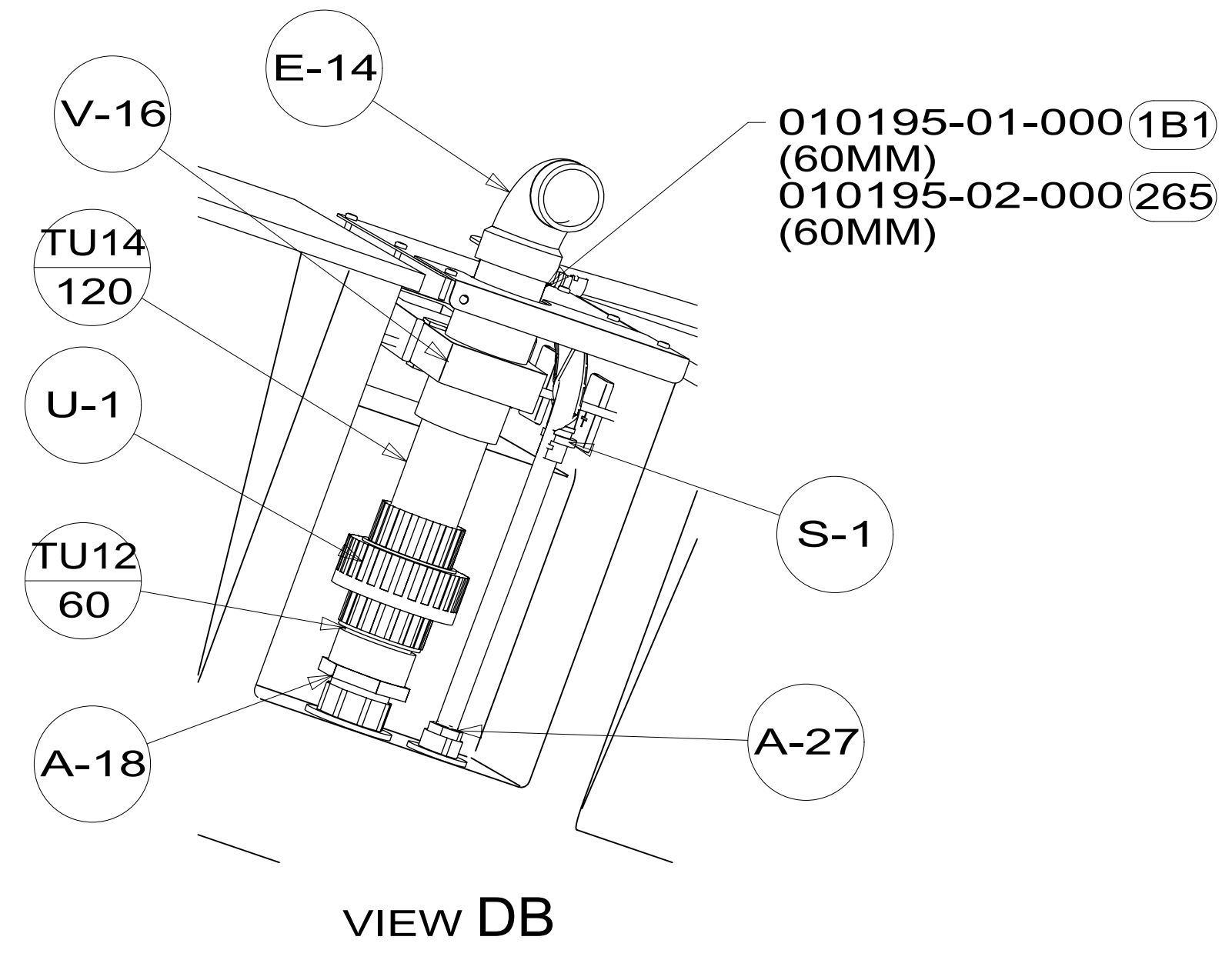
FILTER KIT-WATER
 160946-03-000
 SCREW
 000G67-10-12U(2)



VIEW CB

FIRST USED	15 524G	
TITLE:	DO NOT SCALE DRAWING	
SHEET	3	PART NO 189199 REV
		1 14-Jul-2015

* 189199 * A *



TANK ASM-WATER
180272-02-000
STRAP-TANK,WATER
118994-15-CHT (2)
WASHER
000E13-18-00U (4)
NUT
000D39-06-00U (8)

INSULATION
120050-37-000 (2)

INSULATION
168508-53-000

INSULATION
168508-55-000

PANEL-ACCESS
133352-02-CHT
SCREW
000G39-08-12U (4)

VIEW ONLY SHOWING TANK
AND UNDER FLOOR

PANEL-CLOSEOUT,DRAINAGE
151869-05-CHT
SCREW
000G39-08-12U (2)

INSULATION-DRAINAGE COMPT
168508-52-000 (2)

INSULATION-DRAINAGE COMPT
168508-54-000

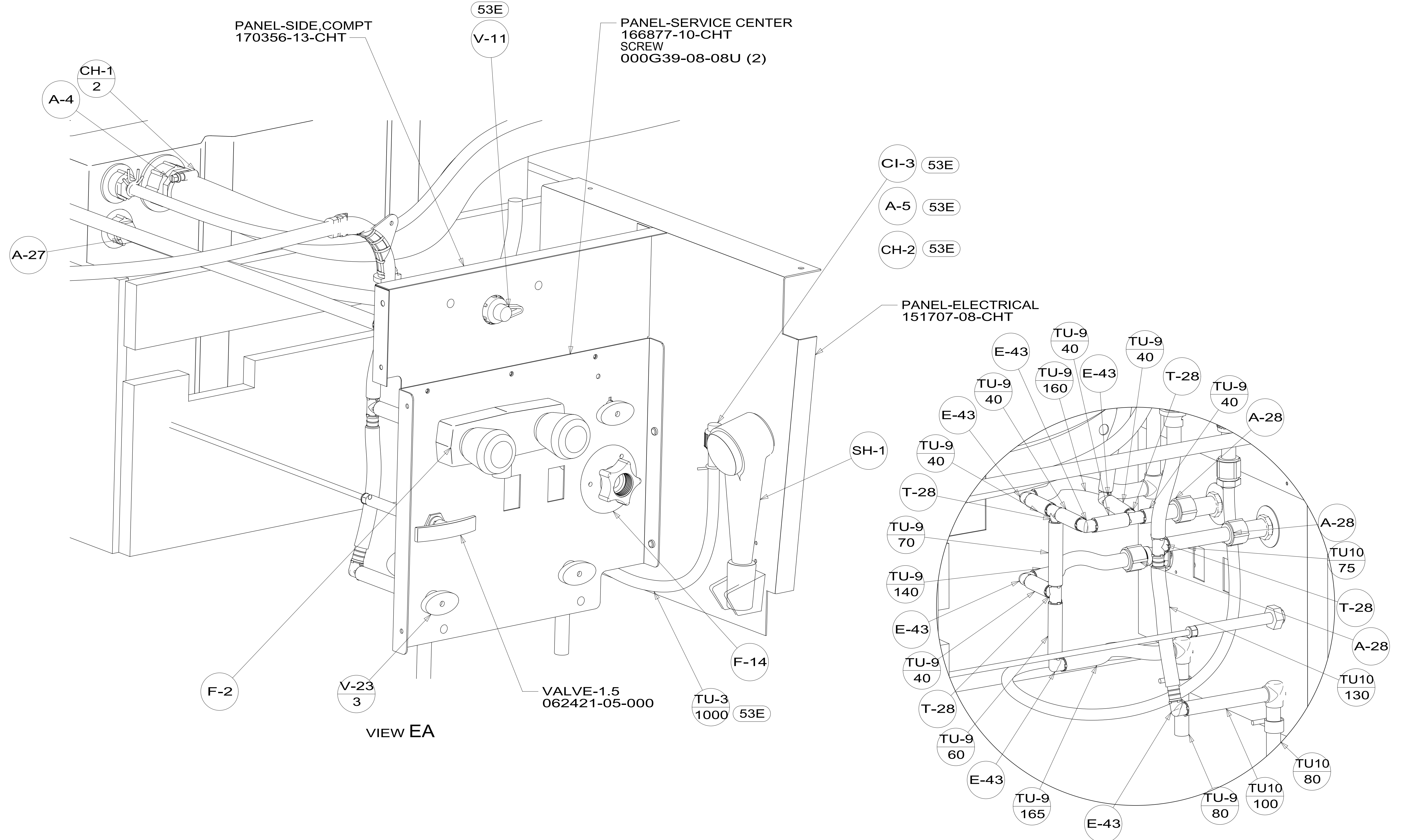
CLAMP
010495-04-000 (2)
RIVET
113133-03-CHT (2)

CLAMP
010495-04-000 (2)
RIVET
113133-03-CHT (2)

53E 53E 53E
A-28 A-13 CH-2

FIRST USED	15 524G		
DO NOT SCALE DRAWING			
TITLE:	WATER SYSTEM INSTL		
SHEET 4	PART NO	189199	REV
		1	14-Jul-2015

* 189199 A *



FIRST USED	15 524G		
DO NOT SCALE DRAWING			
TITLE:	WATER SYSTEM INSTL		
SHEET 5	PART NO	189199	REV
		14-Jul-2015	

* 189199 * A