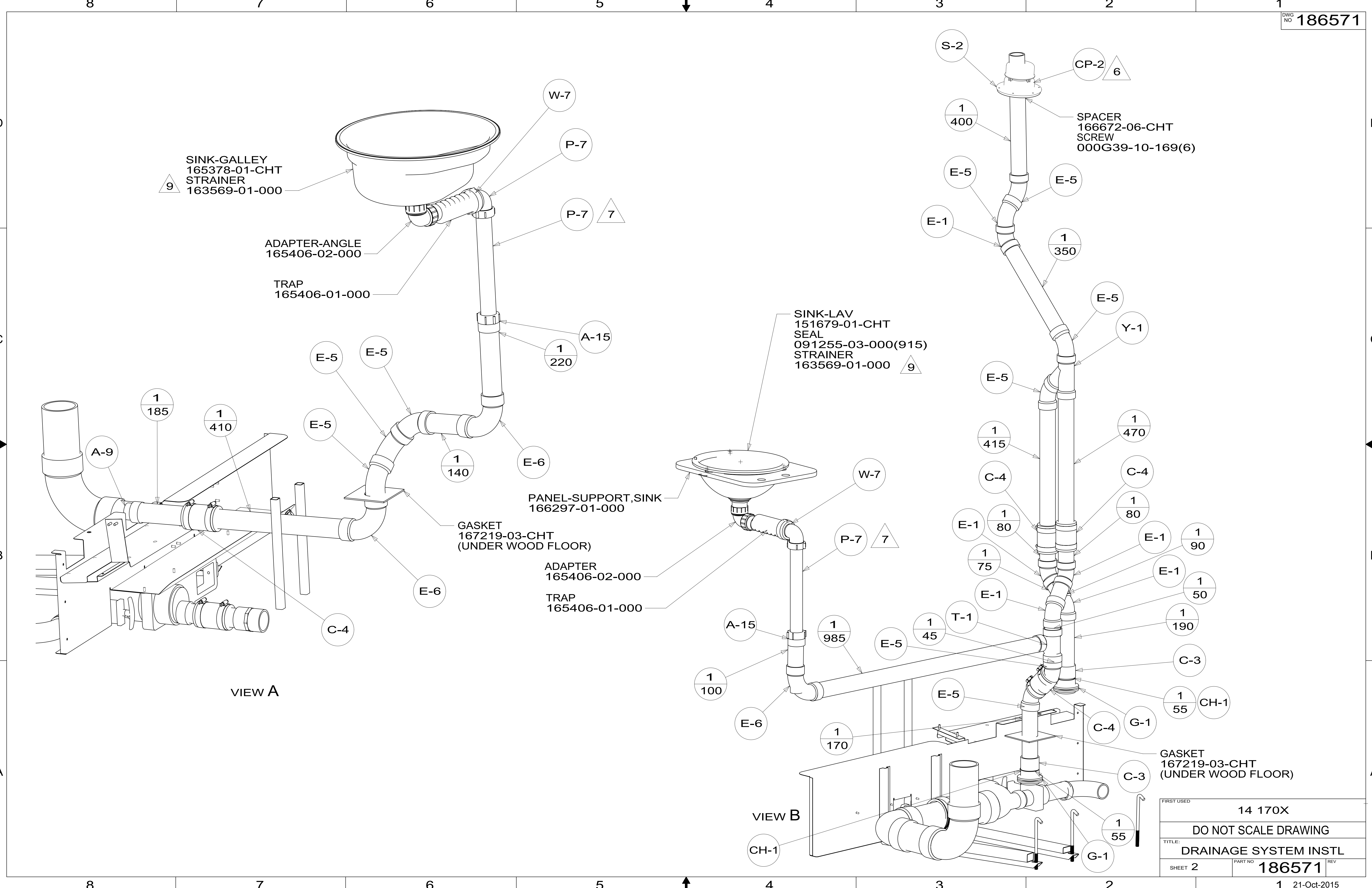


- NOTES:
10. USE SUPPLIED HANDLE FROM VALVE.
  9. USE SMOOTH PLUMBERS PUTTY 167459-01-000 TO SEAL STRAINER (0.2 PER STRAINER).
  8. USE LOCTITE 062917-06-000 ON ALL THREADS WHEN INSTALLING BRACKET
  7. TRIM TO FIT.
  6. VENT PIPE MUST PROJECT 51 MIN AND 64 MAX ABOVE ROOF FOR PROPER FIT AND FUNCTION.
  5. SEAL AROUND SHOWER WITH SILICONE.
  4. SECURE DRAINAGE PIPES TO CABINET USING WIRE TIE 108046-02-000, AND SCREW 000G67-10-12U AT INTERVALS OF NOT MORE THAN 4 FEET APART.
  3. ALL PIPE AND FITTINGS TO BE ASSEMBLED WITH SOLVENT 004020-01-000 (USA), 004020-02-000 (CAN)
  2. SLOPE OF TRAP ARM MUST BE 6 PER 305 mm.
  1. SLOPE OF HORIZONTAL PIPING TO BE MINIMUM OF 3 PER 305 mm.

FOR DRAINAGE CALLOUTS SEE DWG NO 116229-01-000

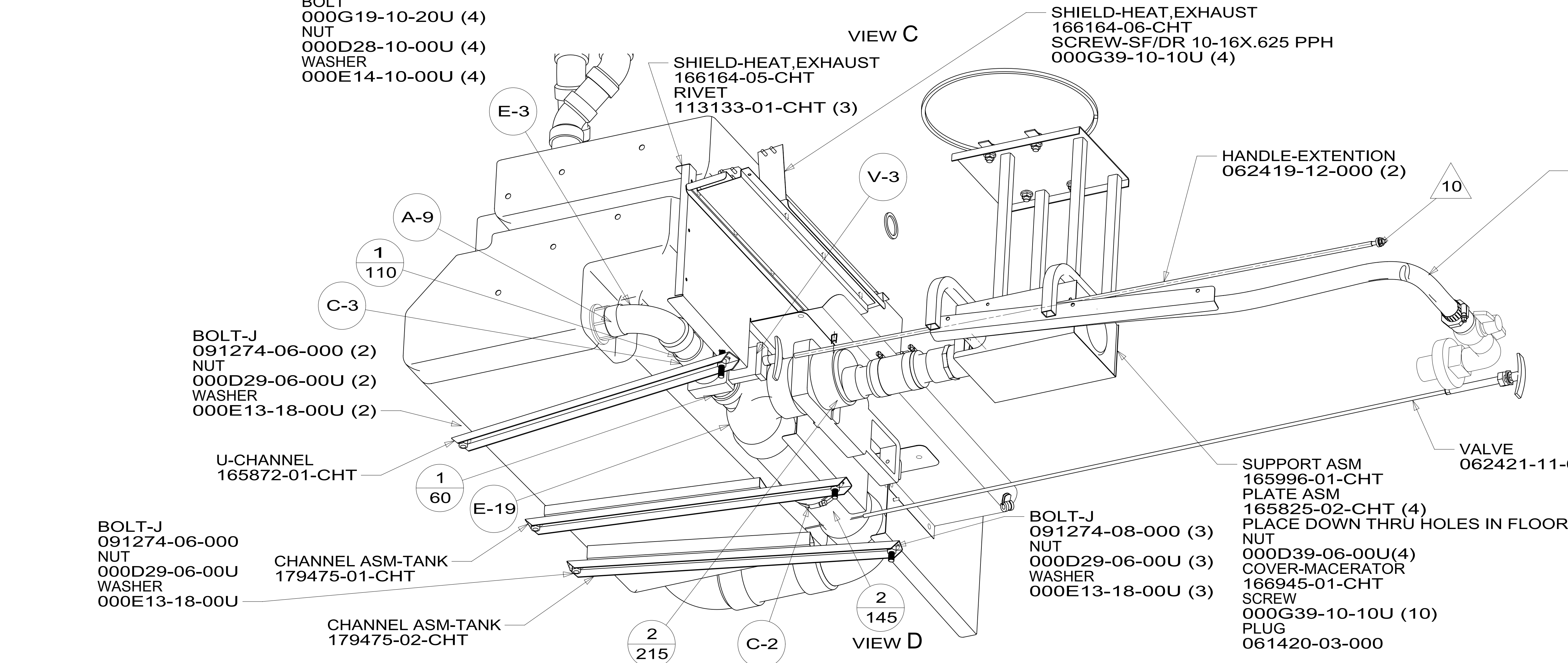
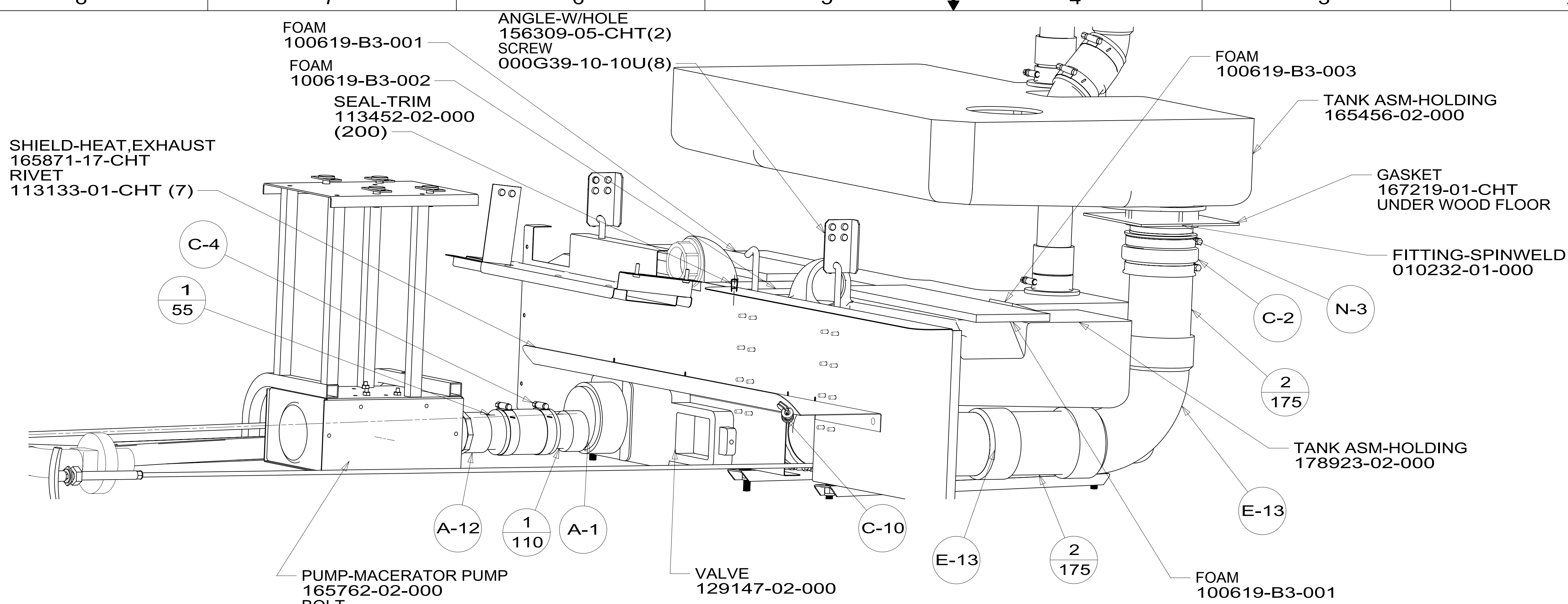
<b>WINNEBAGO</b> COPYRIGHT 2014 WINNEBAGO INDUSTRIES, INC.	
DFTR	ORIG. DATE
CHKR	ALL DIMENSIONS ARE IN MILLIMETERS
P.E.	FIRST USED
M.E.	14 170X
DSNR	
UNSPECIFIED TOLERANCES ARE:	
WHOLE DIM (X)	: 3
ONE-PLACE (X.X)	: 1.5
TWO-PLACE (X.XX)	: 0.50
ANGLE	: 1°
THIRD ANGLE PROJECTION	
DO NOT SCALE DRAWING	REFER TO ES0018 FOR FASTENER TIGHTENING GUIDELINES
TITLE: DRAINAGE SYSTEM INSTL	
SHEET 1 OF 5	PART NO 186571 REV
REF:	1 21-Oct-2015

\*186571\*



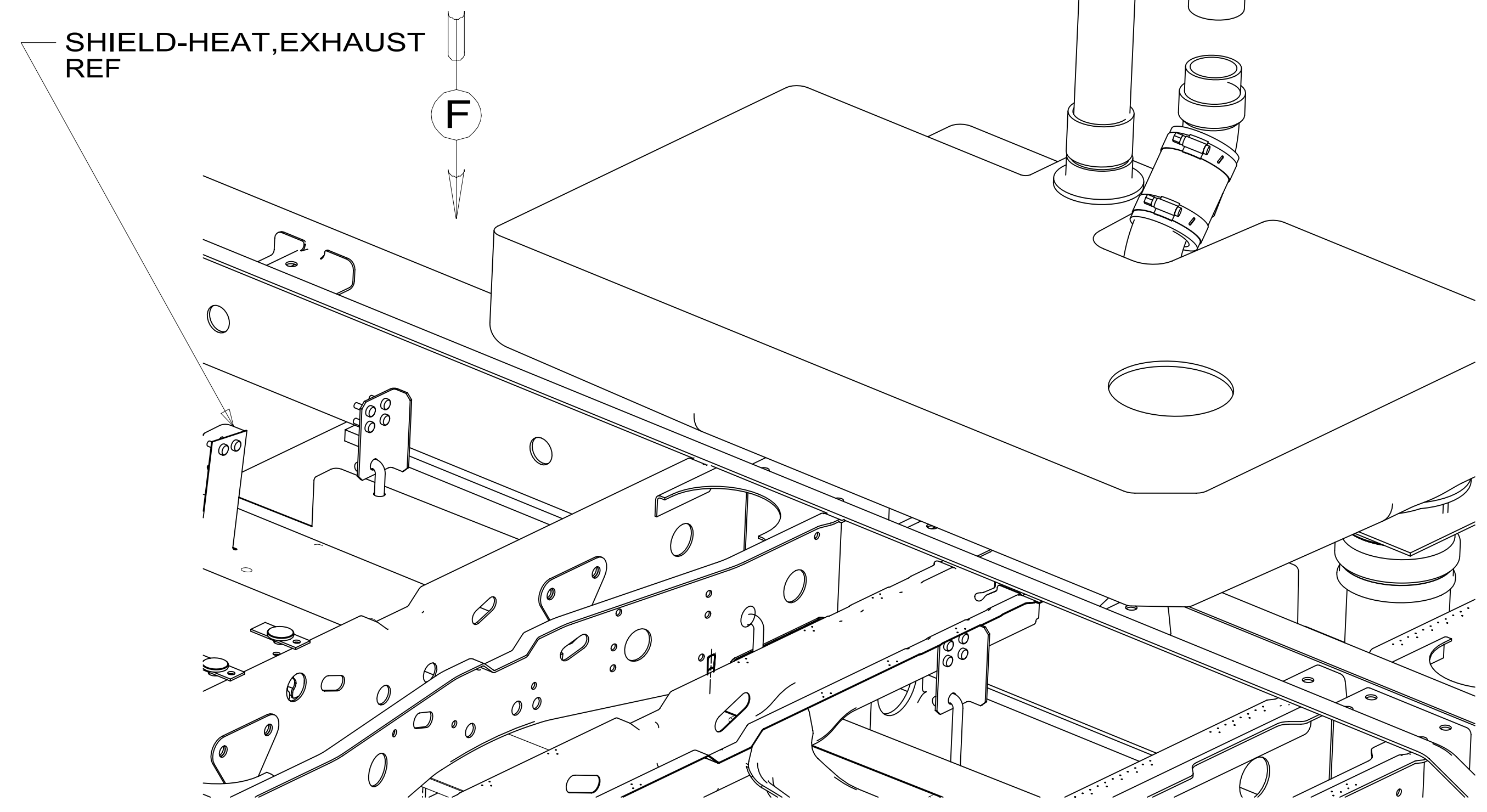
FIRST USED	14 170X	
DO NOT SCALE DRAWING		
TITLE: DRAINAGE SYSTEM INSTL		
SHEET 2	PART NO 186571	REV
1 21-Oct-2015		

\*186571\*

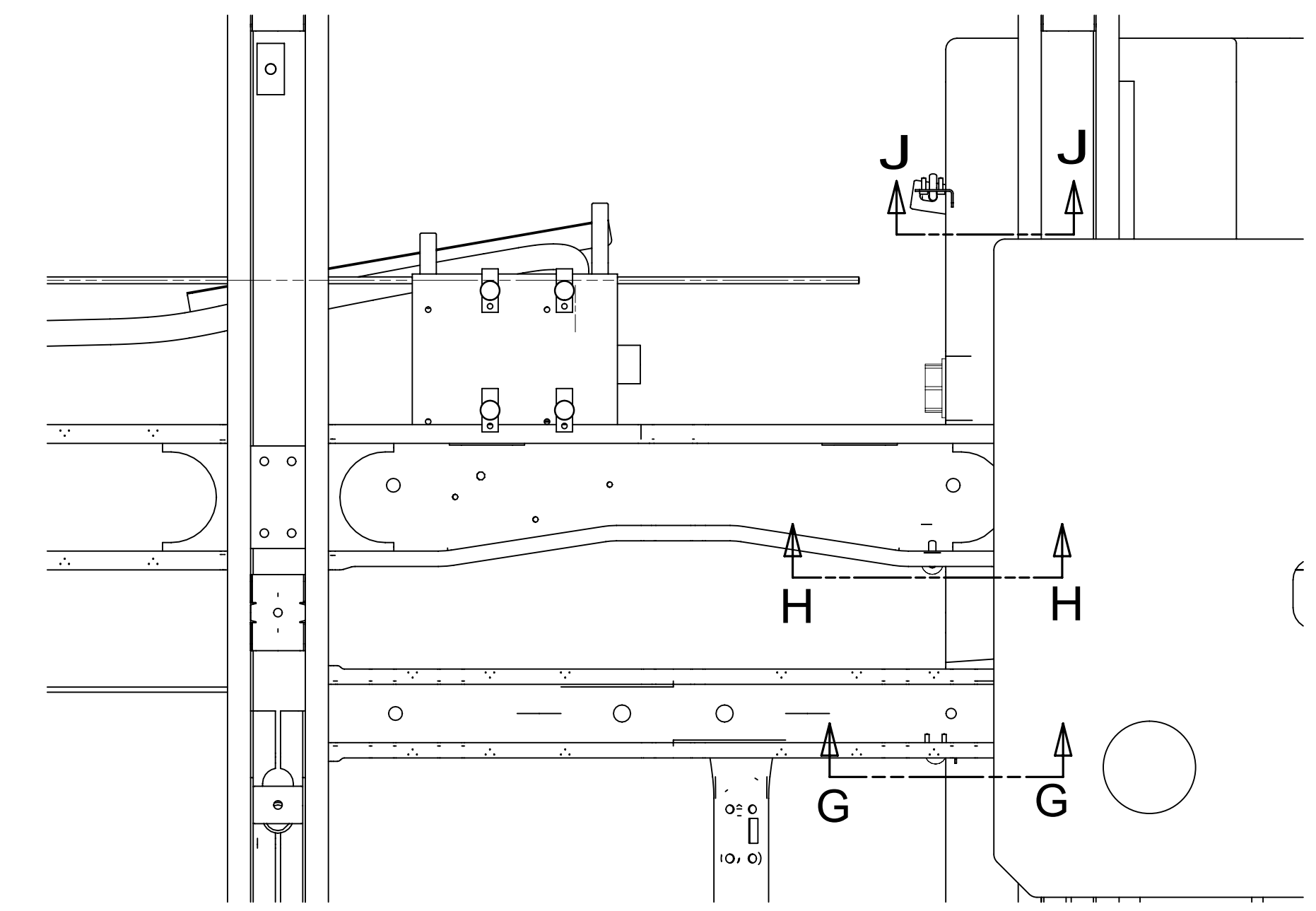


FIRST USED	14 170X	
DO NOT SCALE DRAWING		
TITLE: DRAINAGE SYSTEM INSTL		
SHEET 3	PART NO 186571	REV

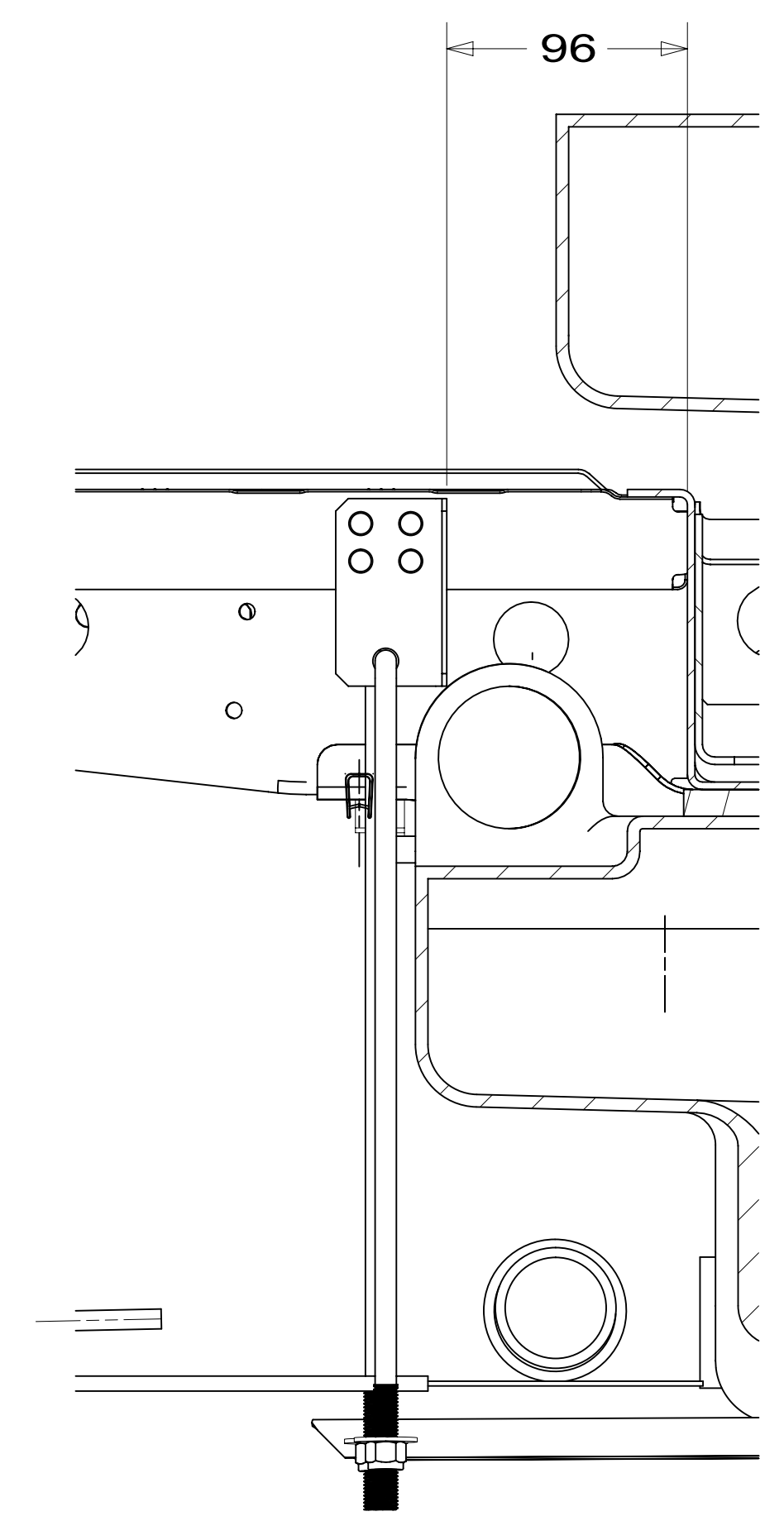
\*186571\*



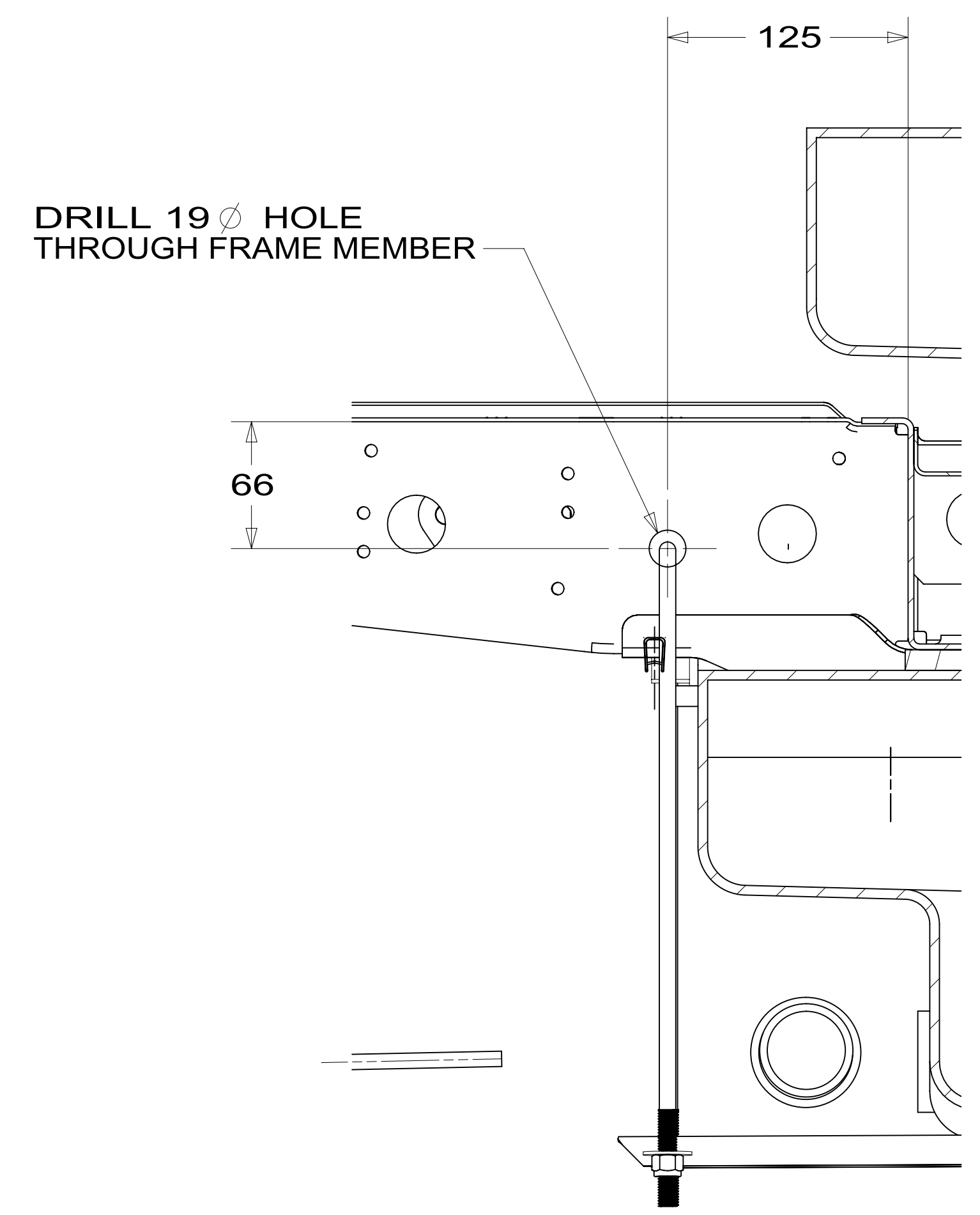
VIEW E



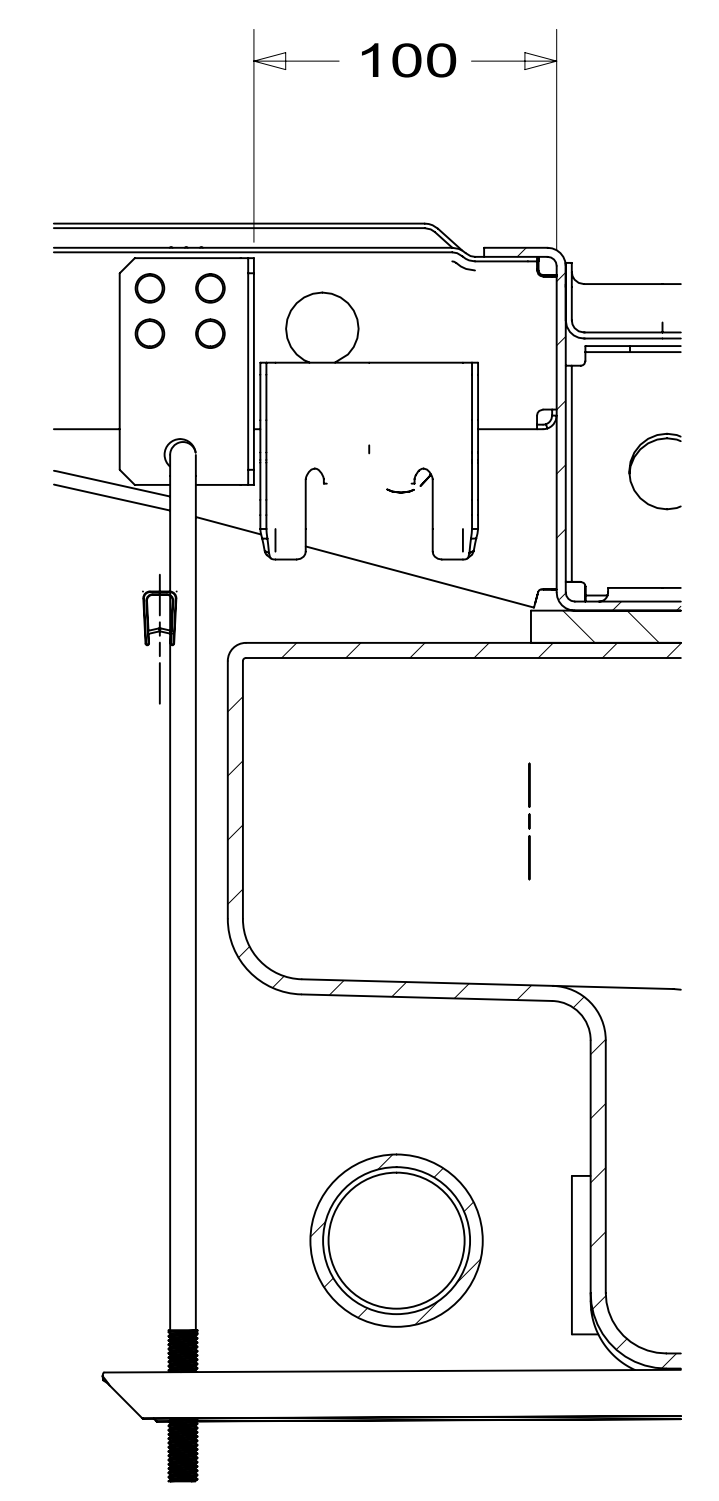
VIEW F



SECTION G-G



SECTION H-H

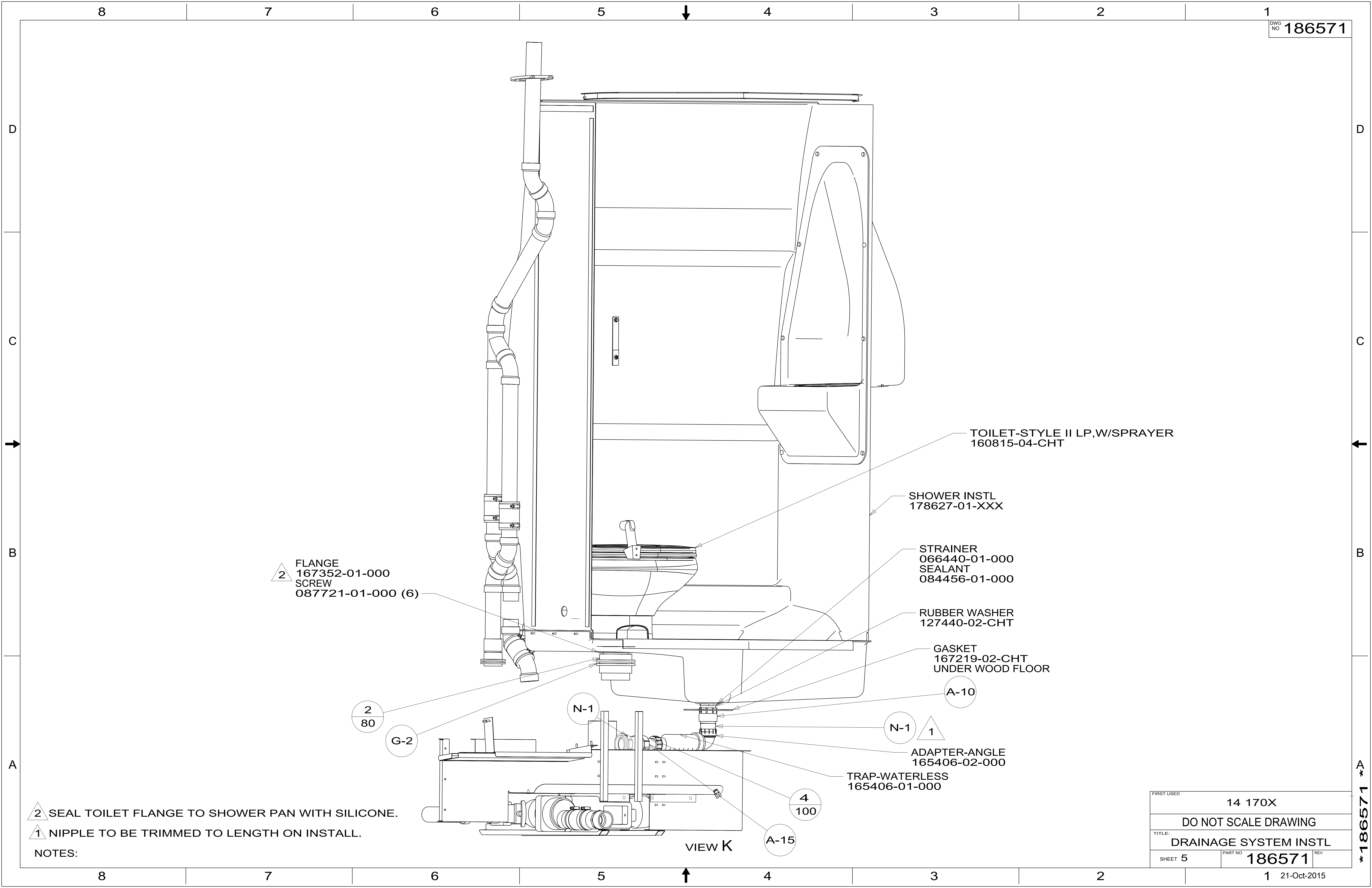


SECTION J-J

FIRST USED	14 170X	
TITLE:	DO NOT SCALE DRAWING	
SHEET 4	PART NO	186571
	REV	1
21-Oct-2015		

\*186571\*





2 FLANGE  
167352-01-000  
SCREW  
087721-01-000 (6)

TOILET-STYLE II LP,W/SPRAYER  
160815-04-CHT

SHOWER INSTL  
178627-01-XXX

STRAINER  
066440-01-000  
SEALANT  
084456-01-000

RUBBER WASHER  
127440-02-CHT

GASKET  
167219-02-CHT  
UNDER WOOD FLOOR

A-10

N-1

1  
ADAPTER-ANGLE  
165406-02-000

TRAP-WATERLESS  
165406-01-000

4  
100

A-15

2  
80

G-2

N-1

VIEW K

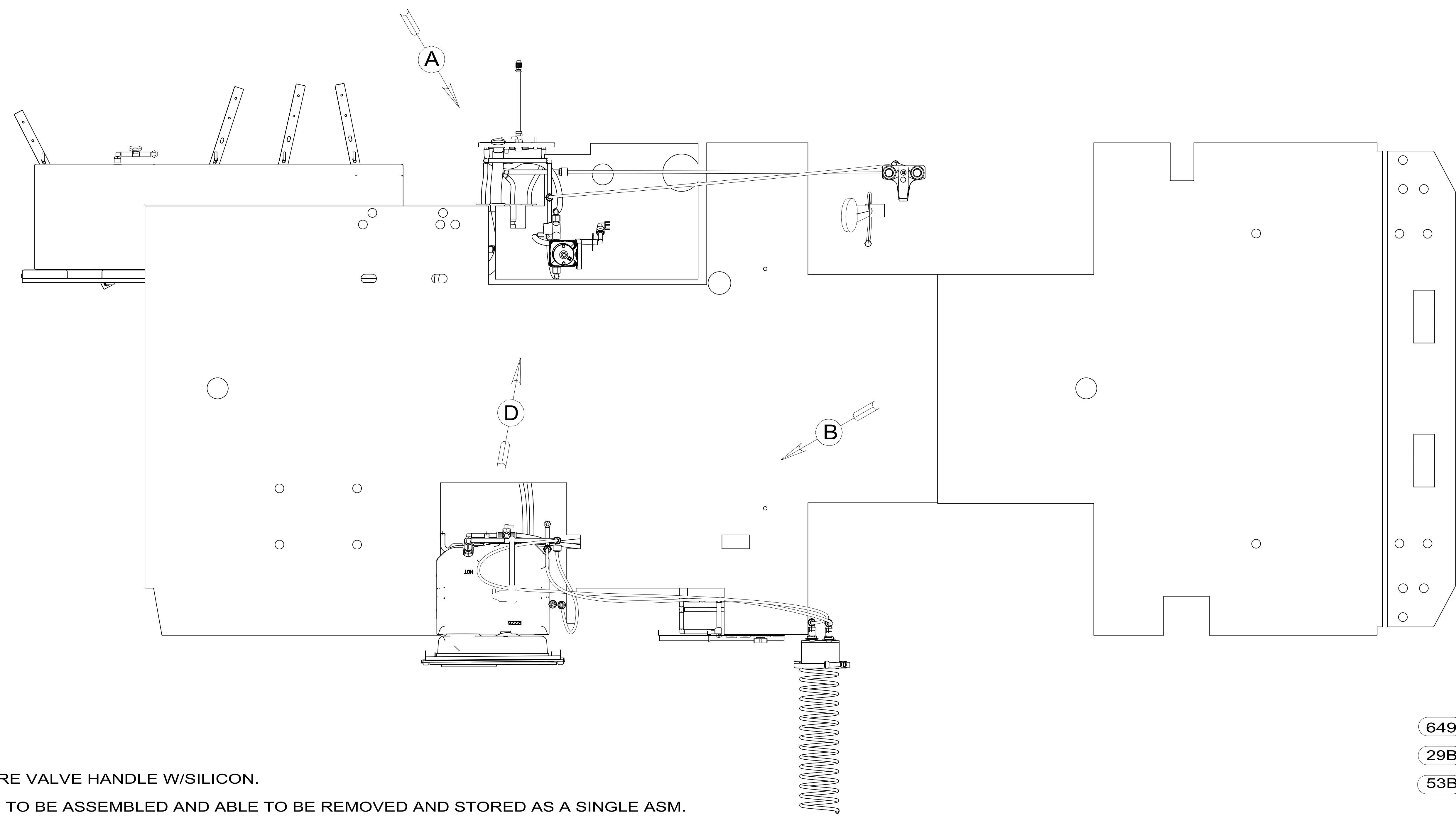
2 SEAL TOILET FLANGE TO SHOWER PAN WITH SILICONE.

1 NIPPLE TO BE TRIMMED TO LENGTH ON INSTALL.

NOTES:

FIRST USED	14 170X	
DO NOT SCALE DRAWING		
TITLE: DRAINAGE SYSTEM INSTL		
SHEET 5	PART NO 186571	REV
		1 21-Oct-2015

\*186571 \*A



- 10. SECURE VALVE HANDLE W/SILICON.
  - 9. PARTS TO BE ASSEMBLED AND ABLE TO BE REMOVED AND STORED AS A SINGLE ASM.
  - 8. ALL CRIMP FITTINGS TO 1/2" PEX TUBING REQUIRE 1/2" CLAMP 140171-03-000.
  - 7. ALL CRIMP FITTINGS TO 5/8" PEX TUBING REQUIRE 5/8" CLAMP 140171-04-000.
  - 6. LABEL HOT AND COLD SUPPLY TUBES AND TAPE FITTING TO TUBE BEFORE CABINET SET TO PREVENT MOVEMENT.
  - 5. ADD PIPE WRAP (LADDER SCRAP 110157-02-000) INSULATION.
  - 4. ADD TEFLON TAPE 010405-02-000.
  - 3. ALL TUBING TO BE SECURED AT 1200 INTERVALS MAXIMUM WITH CLAMP 010495-01-000 AND SCREW 000G67-10-12U OR EQUIVALENT.
  - 2. TUBING TO BE INSTALLED WITH SUFFICIENT SLOPE TO PROVIDE DRAINAGE TO NEAREST VALVE.
  - 1. PLASTIC FITTINGS TO BE SEALED WITH SEALANT 084456-01-000.
- NOTES:

- 649 RENTAL - CANADREAM
- 29B WATER PURIFIER
- 53B WTR HTR-6 GAL ELEC/LP/GAS

**WINNEBAGO** INDUSTRIES, INC. COPYRIGHT 2014

DFT-ORIG	ORIG. DATE
CHKR	ALL DIMENSIONS ARE IN MILLIMETERS
P.E.	
M.E.	FIRST USED
DSNR	14 170X
UNSPECIFIED TOLERANCES ARE:	
WHOLE DIM (X)	: 3
ONE-PLACE (X.X)	: 1.5
TWO-PLACE (X.XX)	: 0.50
ANGLE	: 1°
THIRD ANGLE PROJECTION	
DO NOT SCALE DRAWING	REFER TO ES0018 FOR FASTENER TIGHTENING GUIDELINES
TITLE: WATER SYSTEM INSTL	
SHEET 1 OF 3	PART NO 186572 REV
REF:	1 11-May-2015

FOR WATER CALLOUTS SEE DWG NO 116230-01-000

\*186572 \*A

SHOWER HEAD-W/HOSE & BRACKET  
187372-01-CHT

4 FAUCET-LAV  
148886-02-CHT

DETAIL N

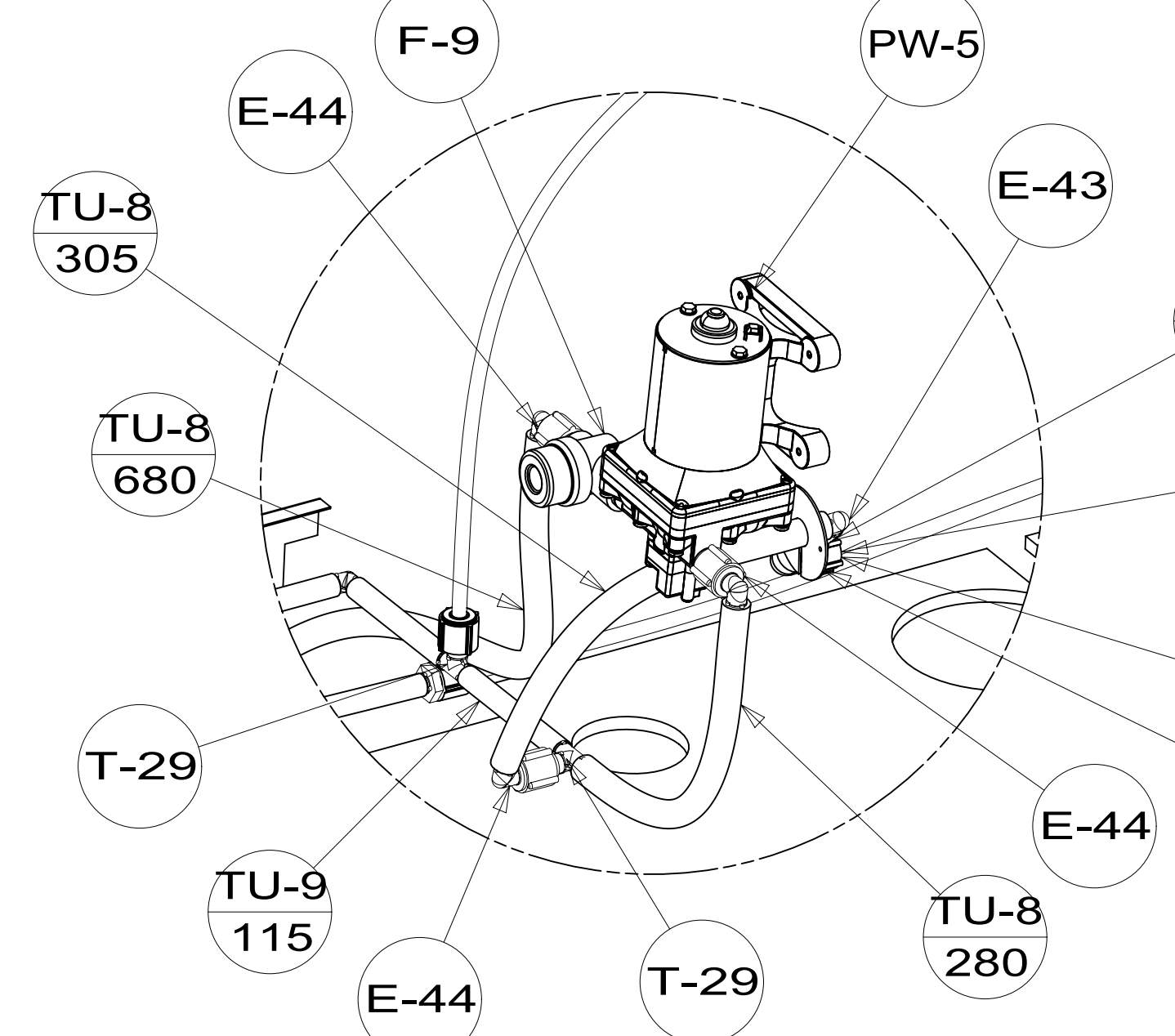
PANEL-WATER PUMP  
149477-02-CHT  
SCREW  
000G39-08-16U (4)  
FOAM  
140364-01-CHT  
SCREW  
000G39-08-24U (4)

TU10 180  
S-1  
TU-9 110  
TU-9 210

E-43

PANEL  
166584-03-CHT  
SCREW  
000G67-10-10U(6)

VIEW D



DETAIL G  
(SHOWN W/OUT PANEL-WATER PUMP)

SHOWER-EXTERIOR  
166291-01-CHT  
HOSE ASM-W/SPRAYER  
166291-02-000

E-9

TU10 40  
T-28  
TU10 90  
T-29  
TU-9 40  
T-28

VIEW A

E-46

T-28 TU10 545

TU-9 365

TU-9 40

TU-9 115

V-11

TU-9 100

E-46

A-19

E-44

TU10 195

V-6 4

TU10 120

T-28

A-27

R-2

A-27

TU10 65

A-28

TU10 65

TU-9 65

V-7

R-8

FAUCET-GALLEY, SNGL CONTROL  
192216-01-CHT

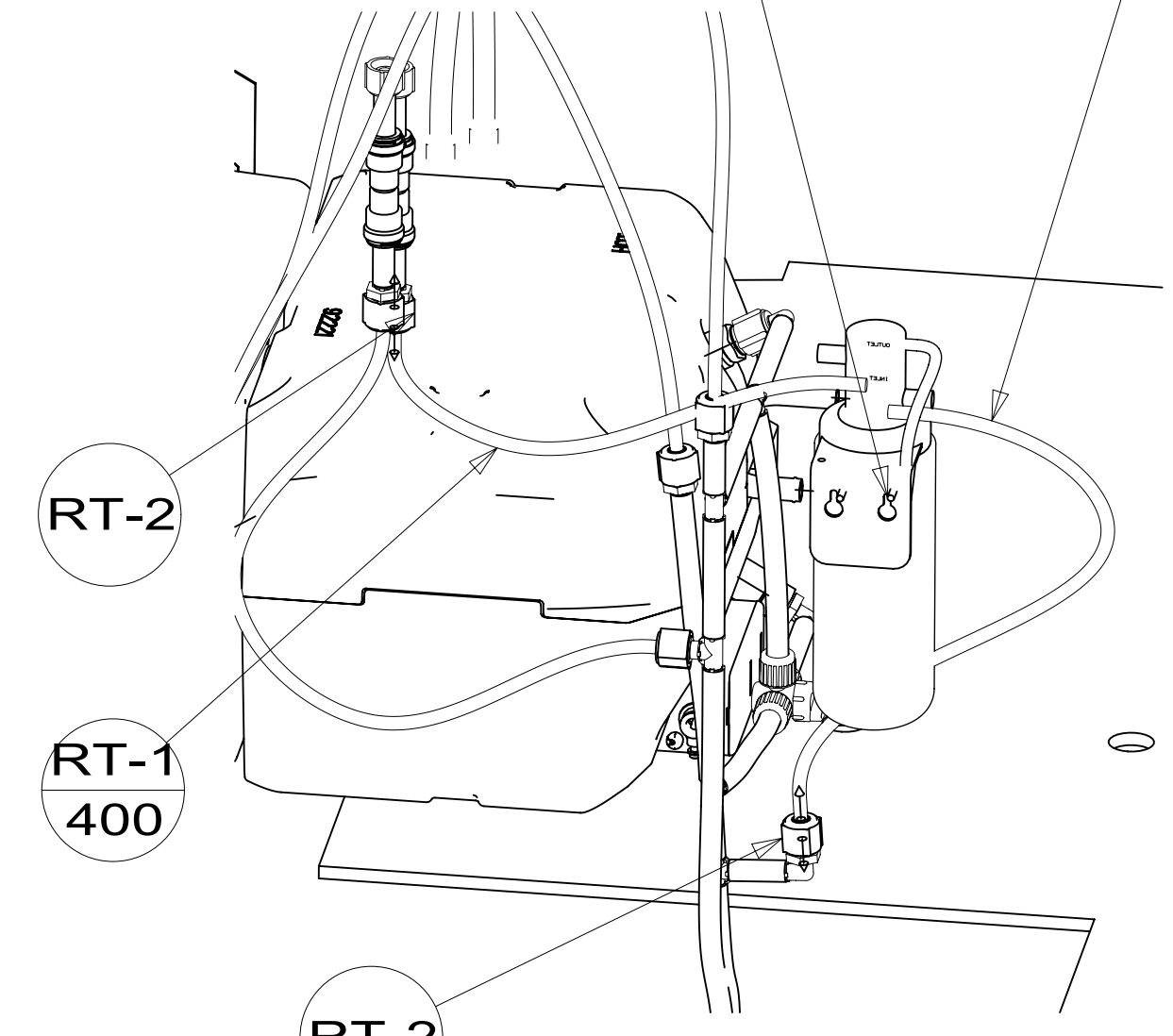
WATER HEATER 53B  
145541-02-000  
DOOR  
125420-06-CHT  
CABLE  
076767-03-000  
SCREW  
000G39-10-169 (16)  
FLANGE-WATER HEATER  
166386-01-CHT  
ADAPTER-BRASS  
136333-01-000  
CLOSEOUT ASM  
165928-01-CHT

R-3

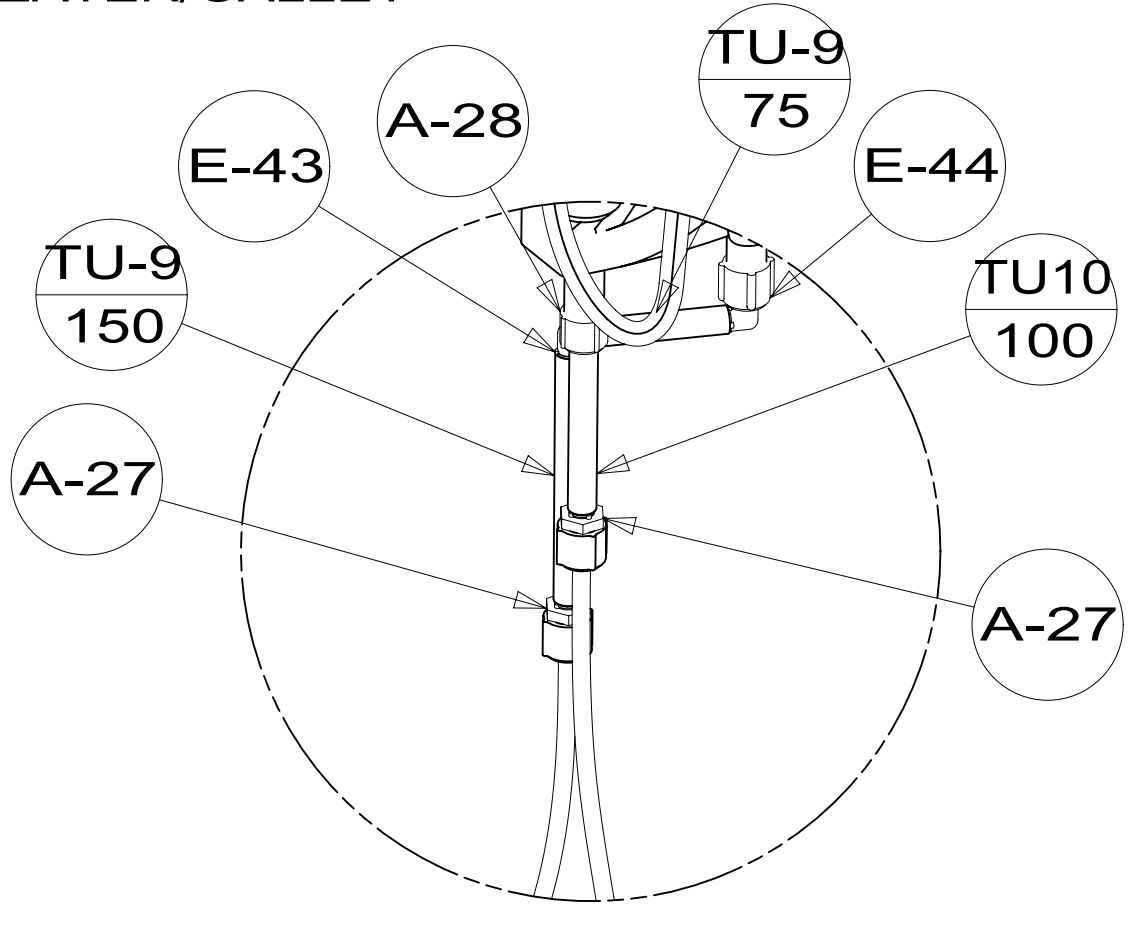
VIEW B  
649

FILTER KIT KIT  
160946-03-000  
SCREW  
000G67-10-12U (2)

RT-1 550



VIEW B  
29B



DETAIL N  
(SHOWN W/OUT SHOWER)

FIRST USED	14 170X
TITLE:	DO NOT SCALE DRAWING
	WATER SYSTEM INSTL
SHEET 2	PART NO 186572 REV
	11-May-2015

\*186572\*

- U-CHANNEL  
165872-03-CHT
- BOLT-HOOK  
091274-08-000
- BOLT HOOK  
091274-06-000
- WASHER  
000E13-18-00U (2)
- NUT  
000D29-06-00U (2)

- TUBE  
122737-51-088
- TAPE  
76322-02-000 (400)  
(TAPE TUBE TO TOP OF CHANNEL)

TANK ASM-WATER, 28 GAL  
165457-02-000

SHIELD ASM-EXHAUST  
166164-01-CHT

NUT  
000D39-06-00U  
TOP SIDE OF  
CHANNEL

NUT  
000D39-06-00U (3)  
TOP SIDE OF  
CHANNEL

- U-CHANNEL  
165872-03-CHT (3)
- BOLT-HOOK  
091274-08-000 (3)
- BOLT-HOOK  
091274-06-000 (3)
- WASHER  
000E13-18-00U (6)
- NUT  
000D29-06-00U (6)

GROMMET  
016188-10-000 (3)

GROMMET  
023942-01-000

TU-9  
40

CLAMP  
010495-04-000 (2)  
RIVET  
113133-03-CHT (2)

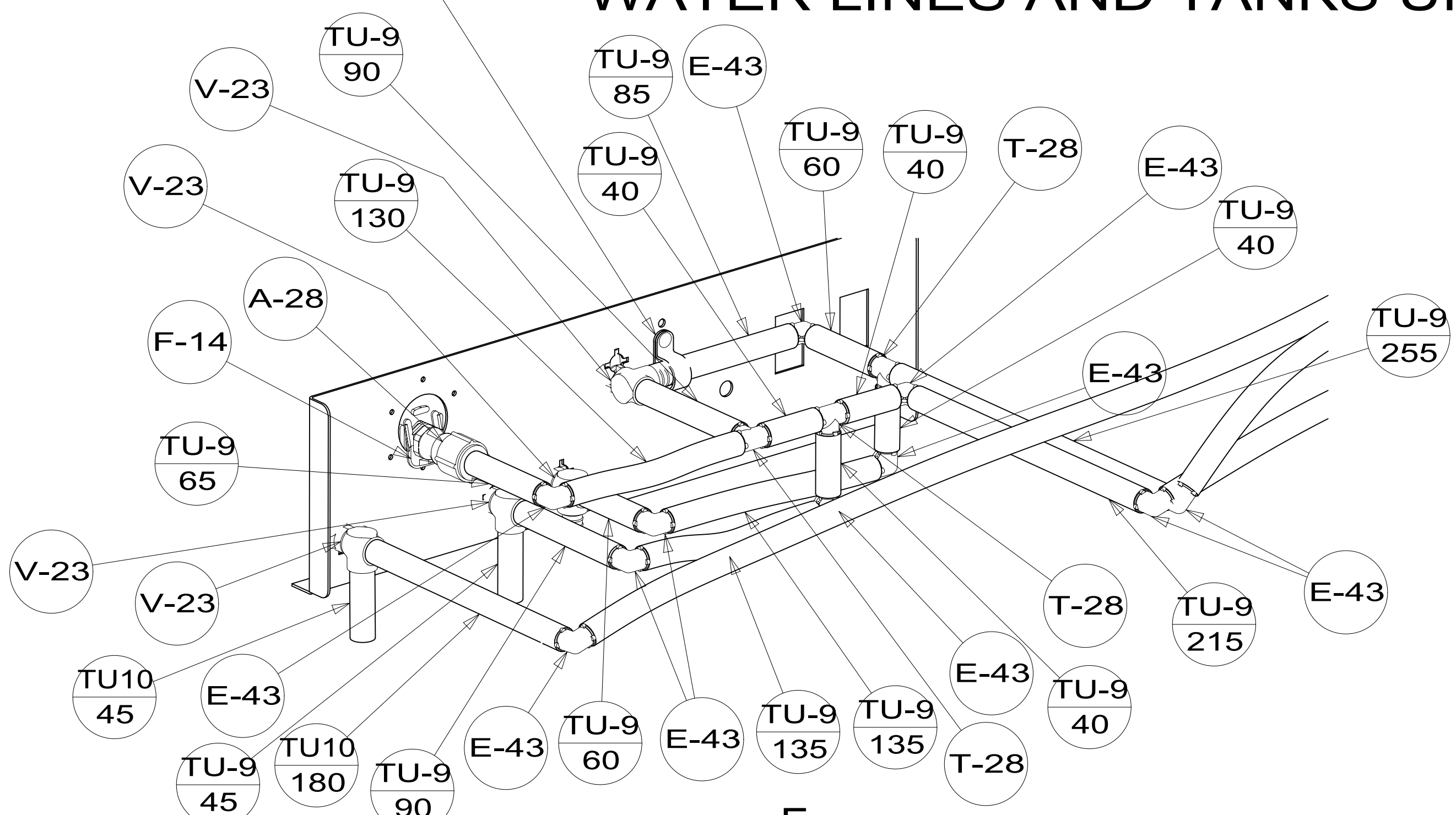
DETAIL F

PANEL-WATER CENTER  
167283-06-CHT

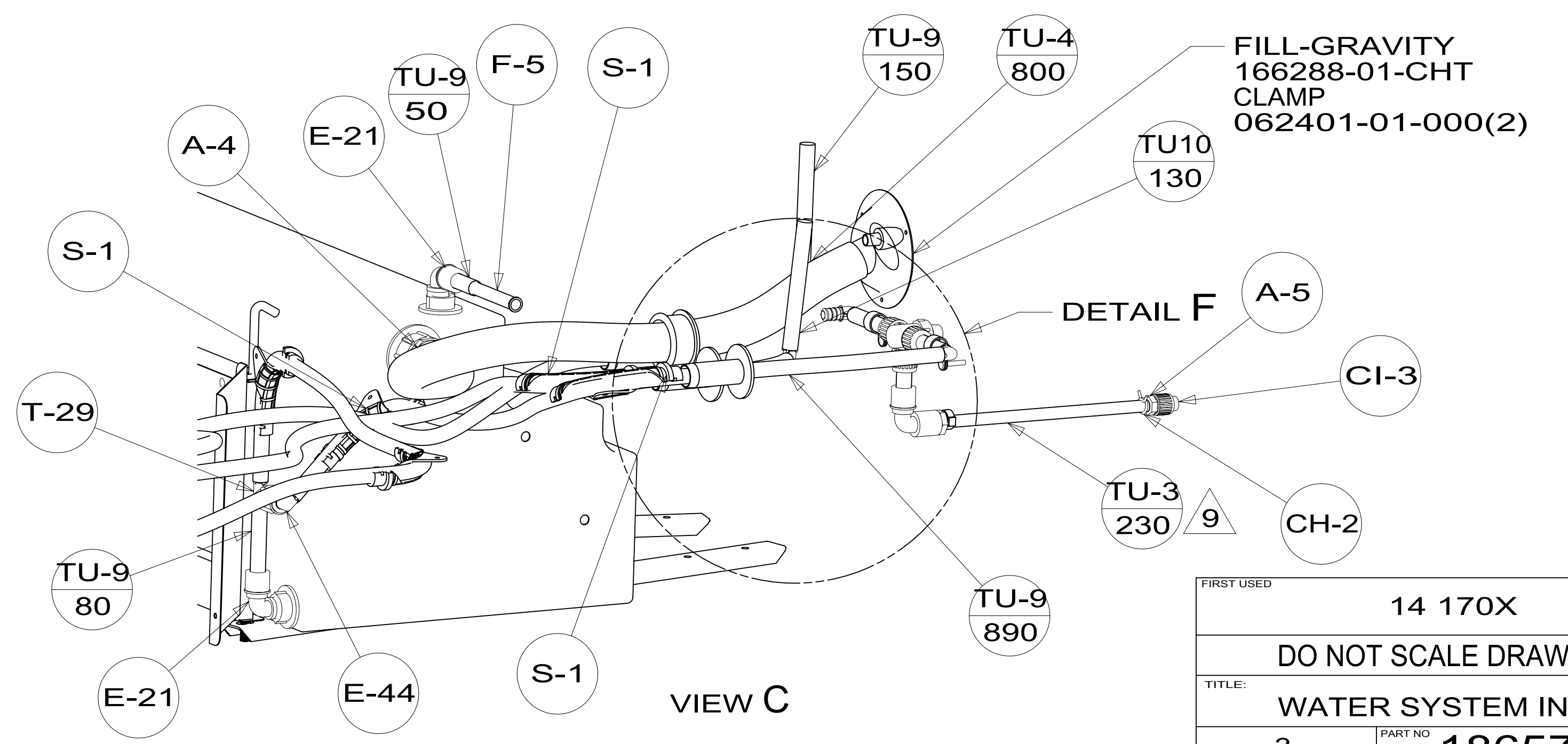
WATER LINES AND TANKS UNDER FLOOR

CLAMP-CABLE  
010495-04-000  
RIVET  
113133-03-CHT

FILL-GRAVITY  
166288-01-CHT  
CLAMP  
062401-01-000(2)



VIEW E



VIEW C

FIRST USED	14 170X
DO NOT SCALE DRAWING	
TITLE: WATER SYSTEM INSTL	
SHEET 3	PART NO 186572 REV
1 11-May-2015	

\*186572\*