

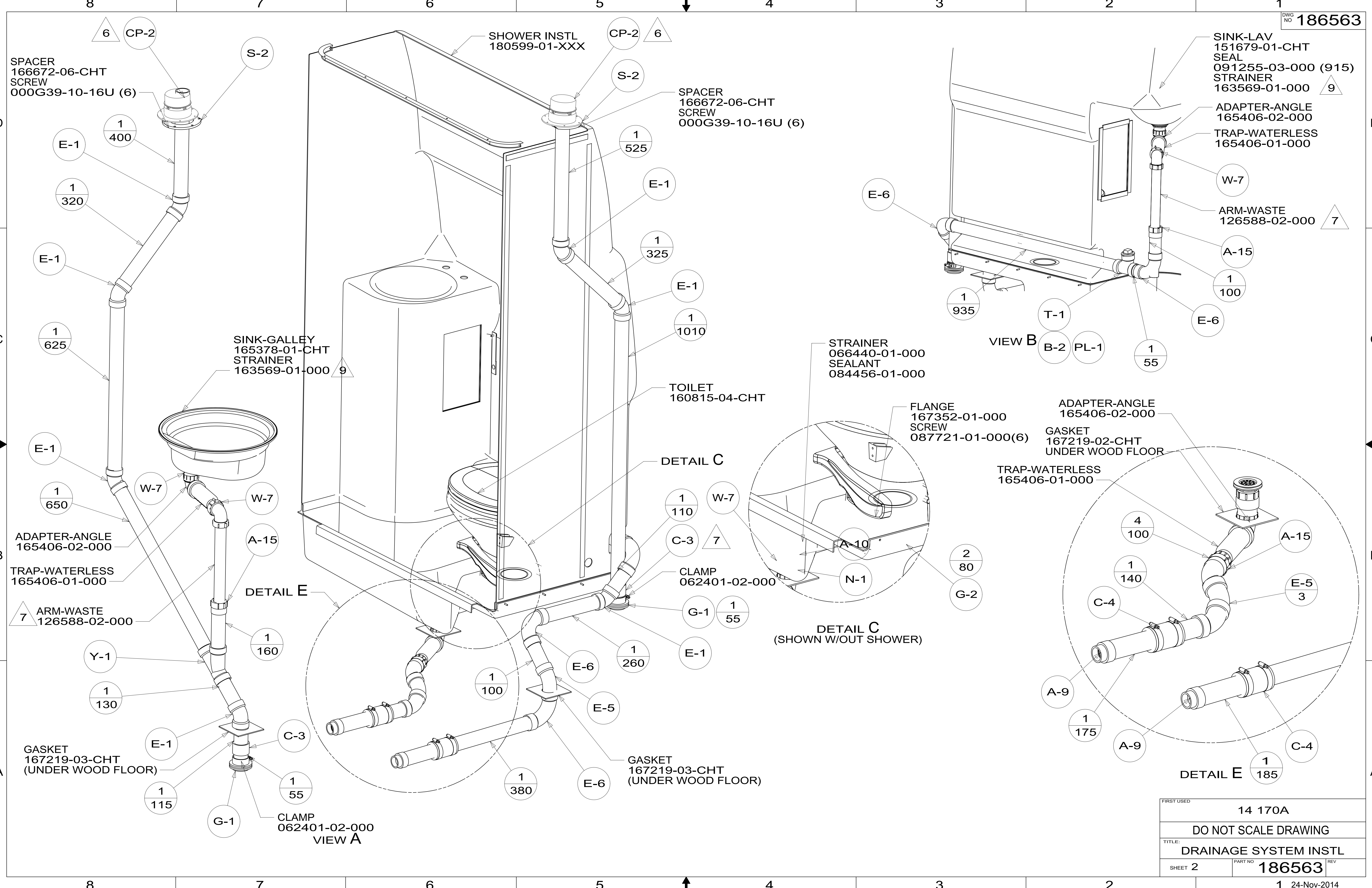
SECTION AA-AA

- NOTES:
- 9 USE SMOOTH PLUMBERS PUTTY 167459-01-000 TO SEAL STRAINER (0.2 PER STRAINERS)
 - 8 NIPPLE TO BE TRIMMED TO LENGTH ON INSTALL.
 - 7 TRIM TO FIT.
 - 6 VENT PIPE MUST PROJECT 51 MIN AND 64 MAX ABOVE ROOF FOR PROPER FIT AND FUNCTION.
 5. SEAL AROUND SHOWER WITH SILICONE.
 4. SECURE DRAINAGE PIPES TO CABINET USING WIRE TIE 108046-02-000, AND SCREW 000G67-10-12B AT INTERVALS OF NOT MORE THAN 4 FEET APART.
 3. ALL PIPE AND FITTINGS TO BE ASSEMBLED WITH SOLVENT 004020-01-000 (USA), 004020-02-000 (CAN)
 2. SLOPE OF TRAP ARM MUST BE 6 PER 305 mm.
 1. SLOPE OF HORIZONTAL PIPING TO BE MINIMUM OF 3 PER 305 mm.

FOR DRAINAGE CALLOUTS SEE DWG NO 116229-01-000

WINNEBAGO		COPYRIGHT 2014 WINNEBAGO INDUSTRIES, INC.	
DFTR	ORIG. DATE	ALL DIMENSIONS ARE IN MILLIMETERS	
CHKR			
P.E.			
M.E.	FIRST USED		
DSNR		14 170A	
UNSPECIFIED TOLERANCES ARE:		MATERIAL:	
WHOLE DIM (X)	: 3		
ONE-PLACE (X.X)	: 1.5		
TWO-PLACE (X.XX)	: 0.50		
ANGLE	: 1°		
THIRD ANGLE PROJECTION			
DO NOT SCALE DRAWING		REFER TO ES0018 FOR FASTENER TIGHTENING GUIDELINES	
TITLE: DRAINAGE SYSTEM INSTL			
SHEET 1 OF 4	PART NO	186563	REV
REF:	1	24-Nov-2014	

186563



SPACER
166672-06-CHT
SCREW
000G39-10-16U (6)

1
400

1
320

1
625

1
650

1
160

1
130

1
115

1
160

1
130

1
115

1
115

1
115

1
115

1
115

1
115

SINK-GALLEY
165378-01-CHT
STRAINER
163569-01-000

ADAPTER-ANGLE
165406-02-000

TRAP-WATERLESS
165406-01-000

ARM-WASTE
126588-02-000

GASKET
167219-03-CHT
(UNDER WOOD FLOOR)

CLAMP
062401-02-000

VIEW A

SHOWER INSTL
180599-01-XXX

SPACER
166672-06-CHT
SCREW
000G39-10-16U (6)

TOILET
160815-04-CHT

DETAIL C

CLAMP
062401-02-000

G-1

E-1

E-6

E-5

GASKET
167219-03-CHT
(UNDER WOOD FLOOR)

E-6

VIEW A

STRAINER
066440-01-000
SEALANT
084456-01-000

FLANGE
167352-01-000
SCREW
087721-01-000(6)

DETAIL C
(SHOWN W/OUT SHOWER)

A-10

N-1

G-2

E-6

E-5

GASKET
167219-03-CHT
(UNDER WOOD FLOOR)

E-6

VIEW A

VIEW B

B-2

PL-1

1
55

1
935

T-1

1
100

E-6

1
100

4
100

1
140

C-4

A-9

1
175

A-9

1
185

C-4

1
185

DETAIL E

VIEW A

VIEW A

SINK-LAV
151679-01-CHT
SEAL
091255-03-000 (915)
STRAINER
163569-01-000

ADAPTER-ANGLE
165406-02-000

TRAP-WATERLESS
165406-01-000

W-7

ARM-WASTE
126588-02-000

A-15

1
100

E-6

1
55

ADAPTER-ANGLE
165406-02-000

GASKET
167219-02-CHT
UNDER WOOD FLOOR

TRAP-WATERLESS
165406-01-000

4
100

1
140

C-4

A-15

E-5
3

1
175

A-9

1
185

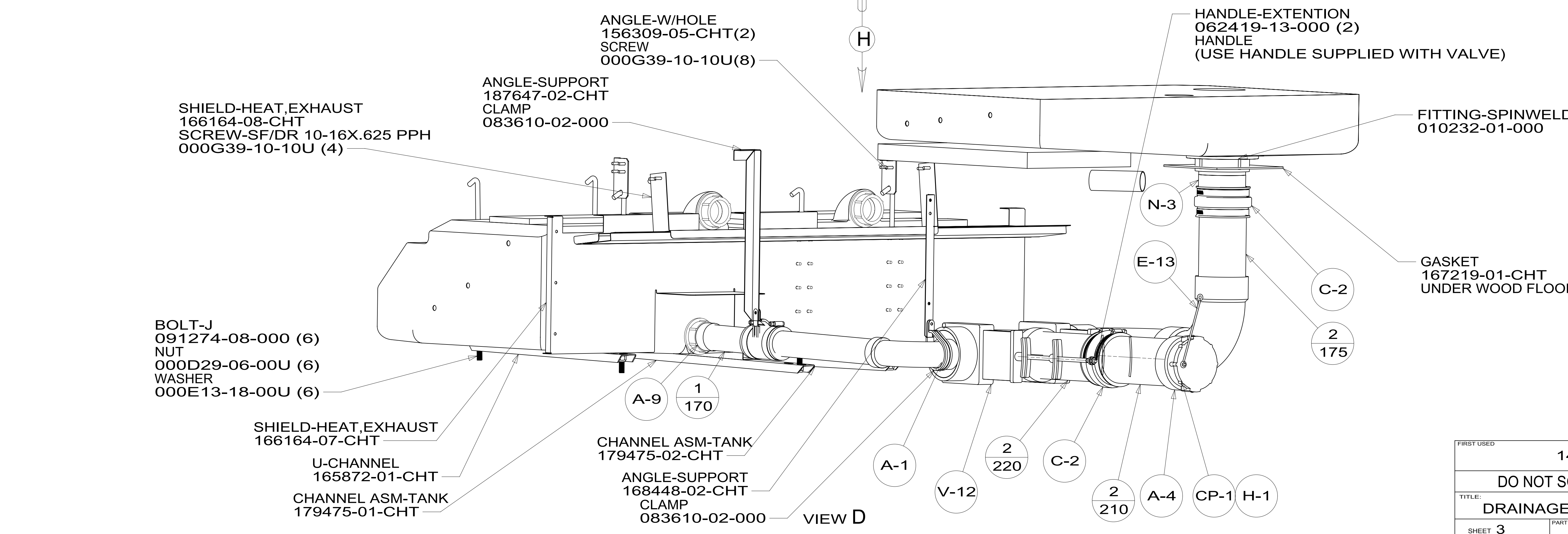
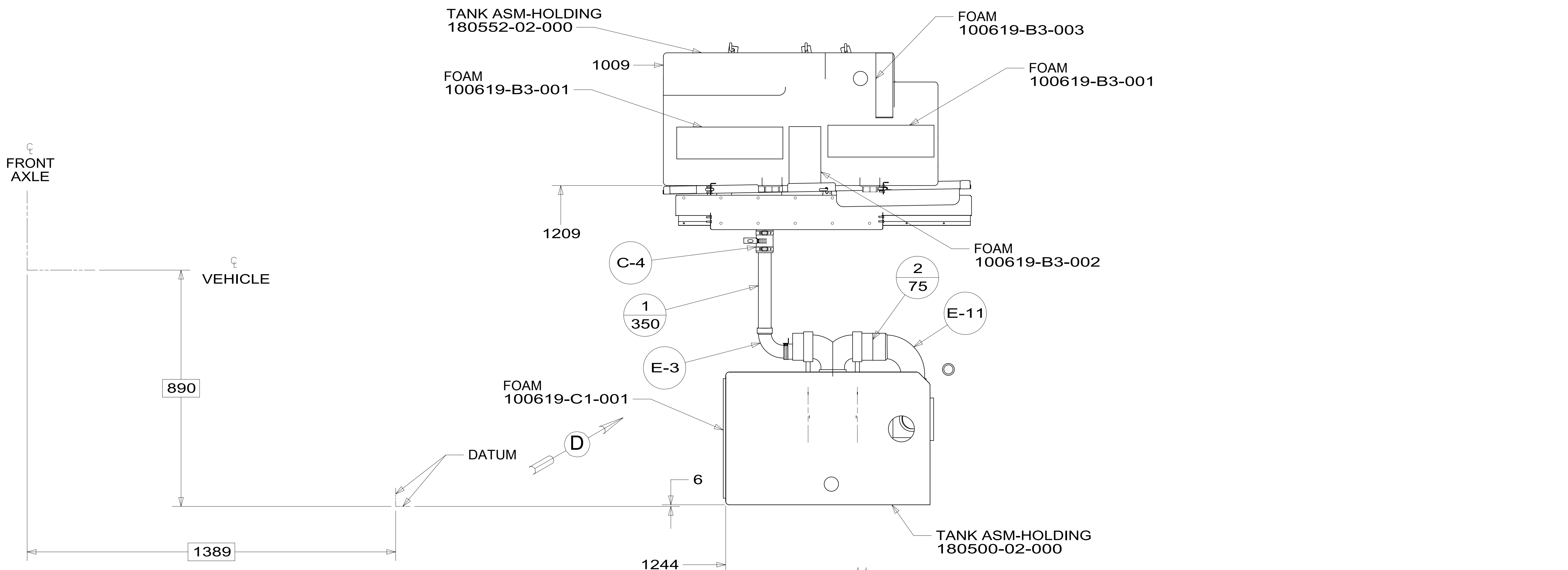
C-4

1
185

DETAIL E

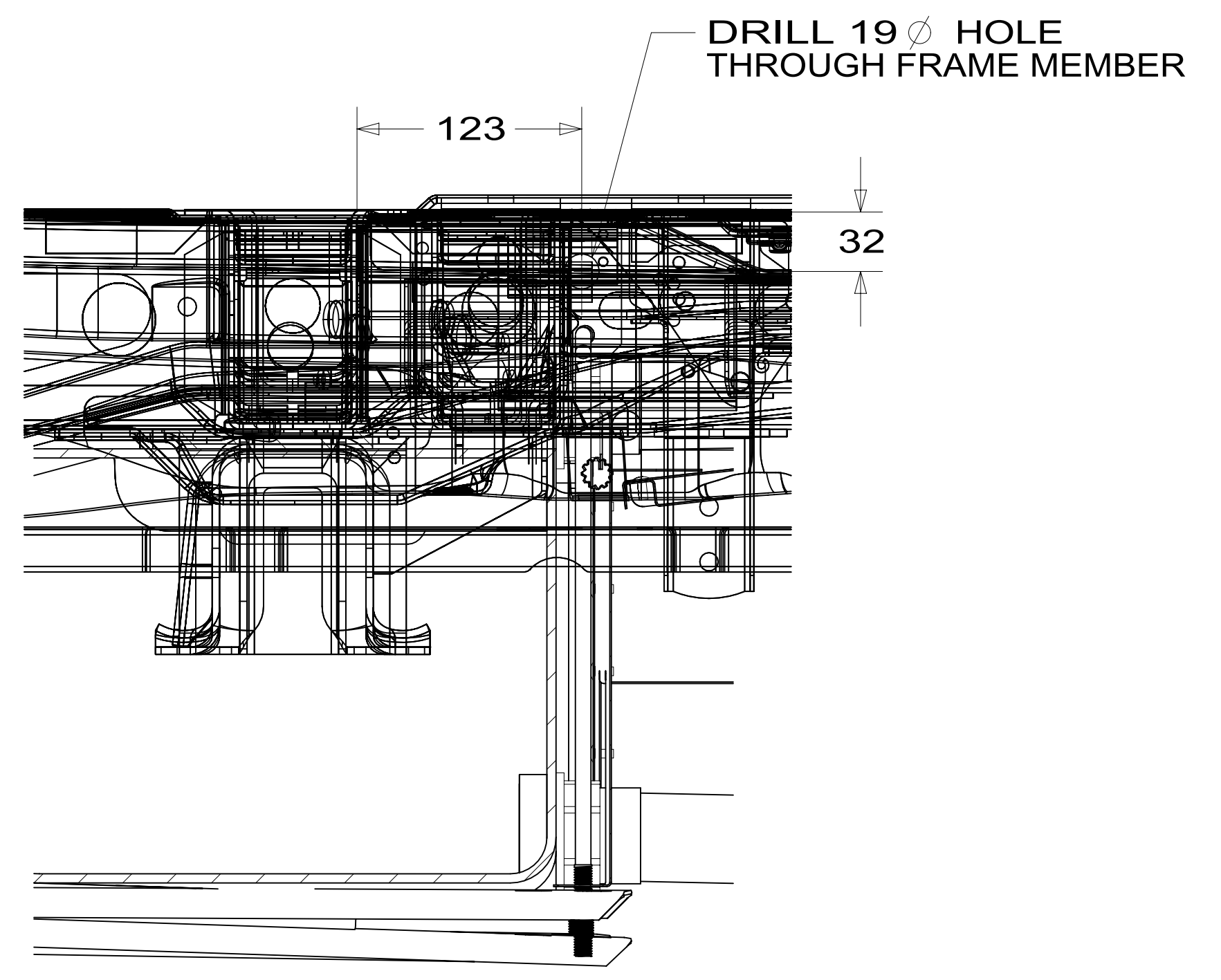
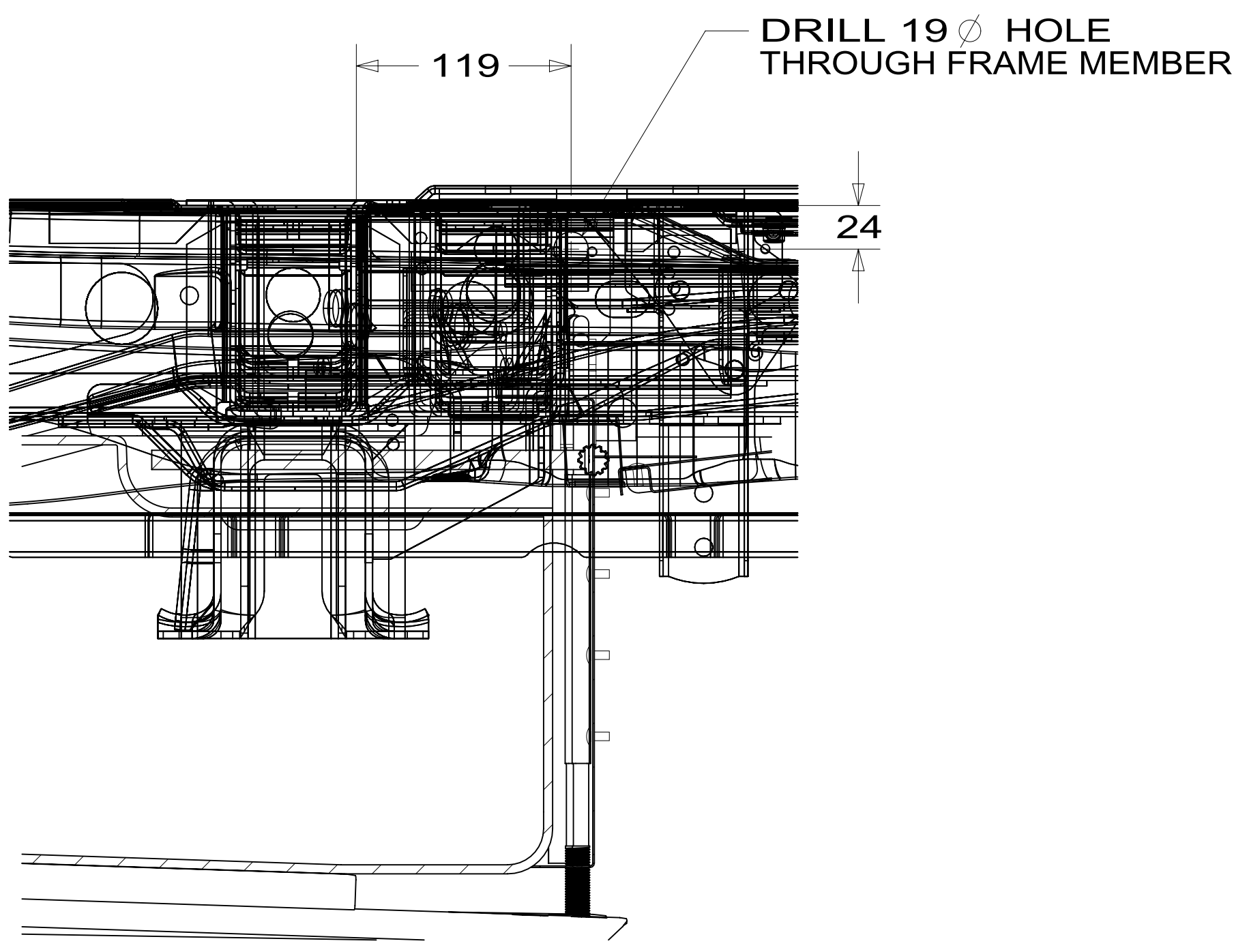
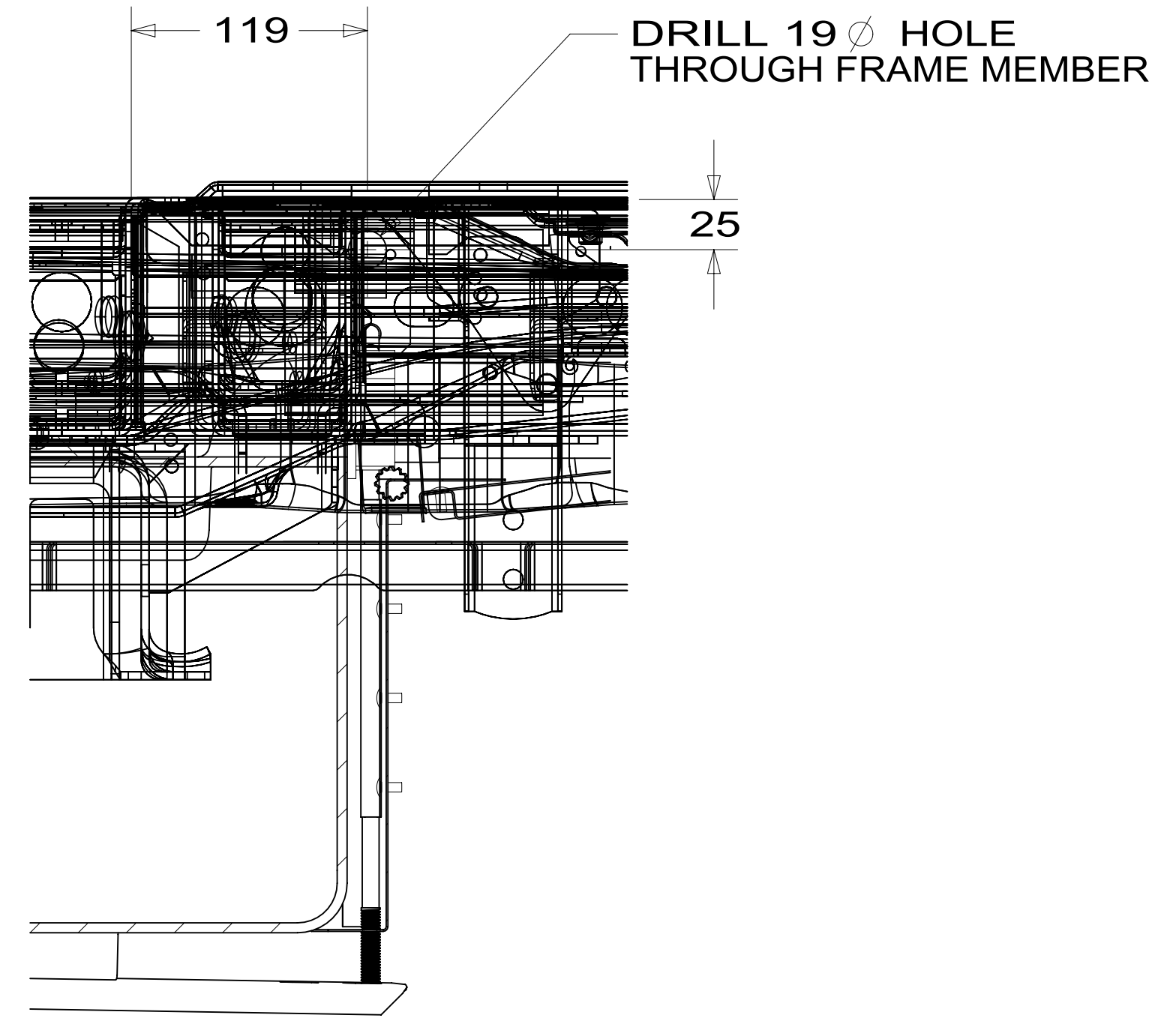
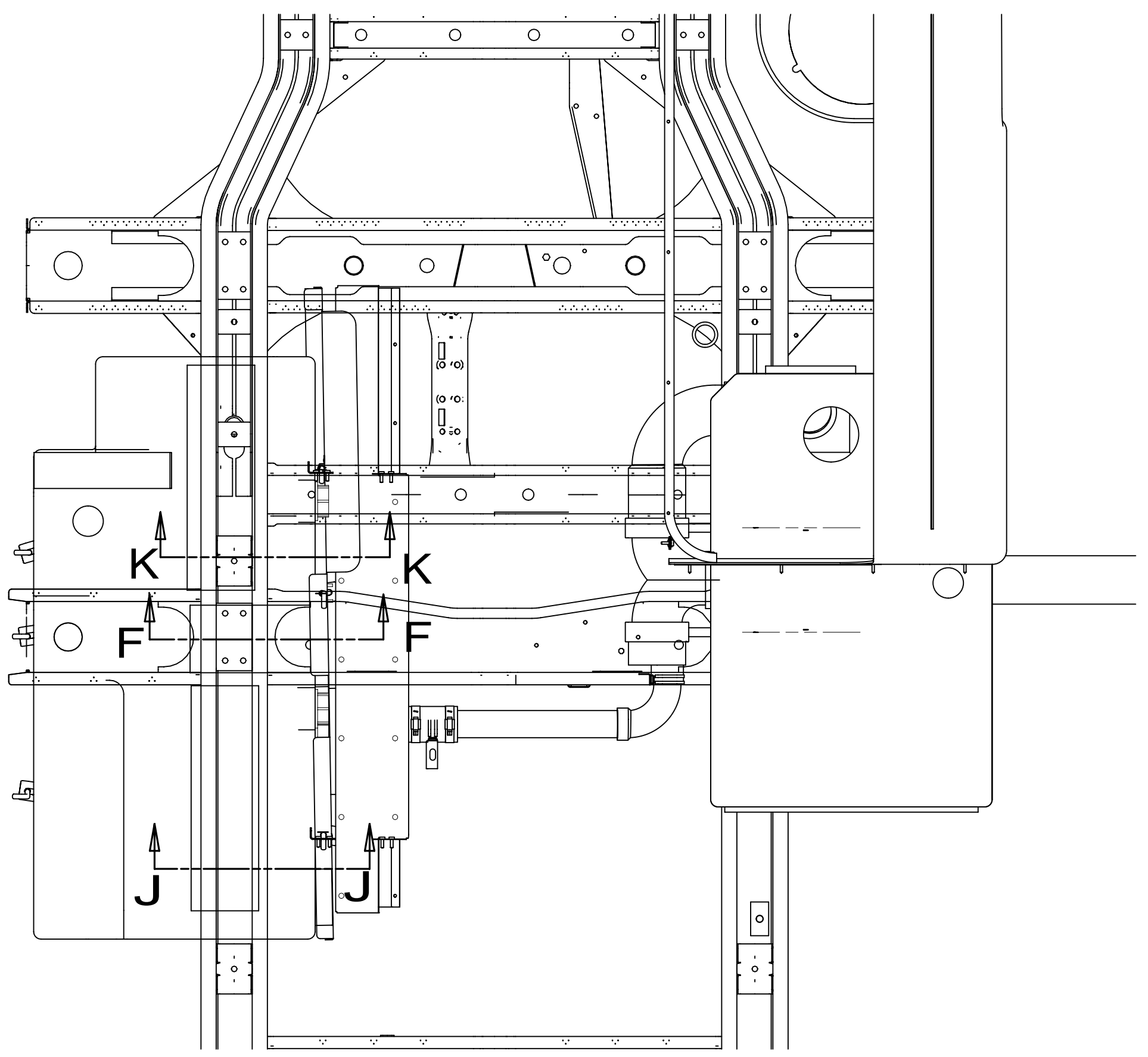
FIRST USED	14 170A
DO NOT SCALE DRAWING	
TITLE: DRAINAGE SYSTEM INSTL	
SHEET 2	PART NO 186563 REV
1 24-Nov-2014	

*186563



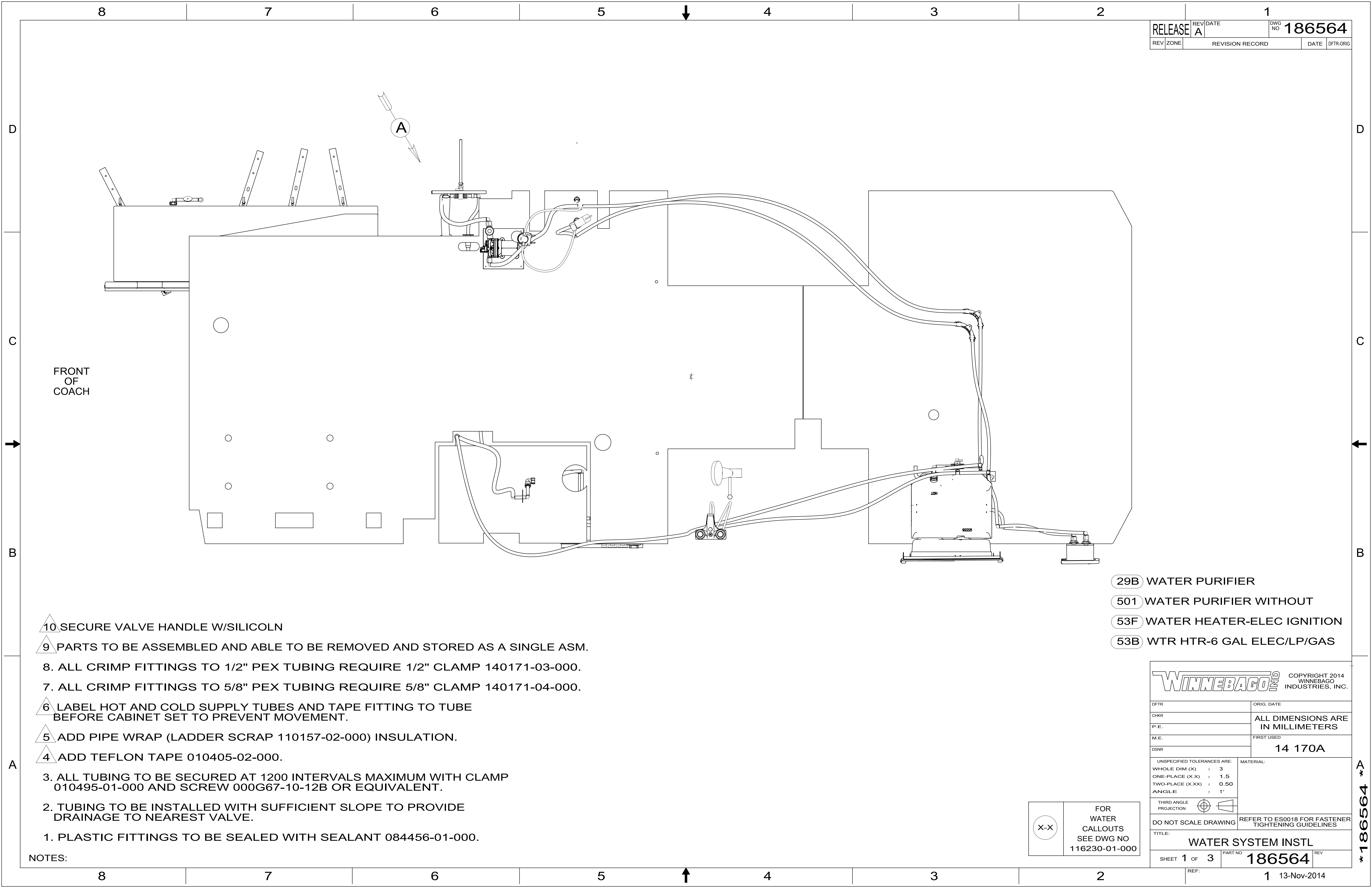
FIRST USED	14 170A
DO NOT SCALE DRAWING	
TITLE: DRAINAGE SYSTEM INSTL	
SHEET 3	PART NO 186563 REV
1 24-Nov-2014	

186563



FIRST USED	14 170A		
TITLE:	DO NOT SCALE DRAWING		
SHEET	4	PART NO	186563
		REV	1
24-Nov-2014			

186563



FRONT OF COACH

- 10 SECURE VALVE HANDLE W/SILICOLN
- 9 PARTS TO BE ASSEMBLED AND ABLE TO BE REMOVED AND STORED AS A SINGLE ASM.
- 8. ALL CRIMP FITTINGS TO 1/2" PEX TUBING REQUIRE 1/2" CLAMP 140171-03-000.
- 7. ALL CRIMP FITTINGS TO 5/8" PEX TUBING REQUIRE 5/8" CLAMP 140171-04-000.
- 6 LABEL HOT AND COLD SUPPLY TUBES AND TAPE FITTING TO TUBE BEFORE CABINET SET TO PREVENT MOVEMENT.
- 5 ADD PIPE WRAP (LADDER SCRAP 110157-02-000) INSULATION.
- 4 ADD TEFLON TAPE 010405-02-000.
- 3. ALL TUBING TO BE SECURED AT 1200 INTERVALS MAXIMUM WITH CLAMP 010495-01-000 AND SCREW 000G67-10-12B OR EQUIVALENT.
- 2. TUBING TO BE INSTALLED WITH SUFFICIENT SLOPE TO PROVIDE DRAINAGE TO NEAREST VALVE.
- 1. PLASTIC FITTINGS TO BE SEALED WITH SEALANT 084456-01-000.

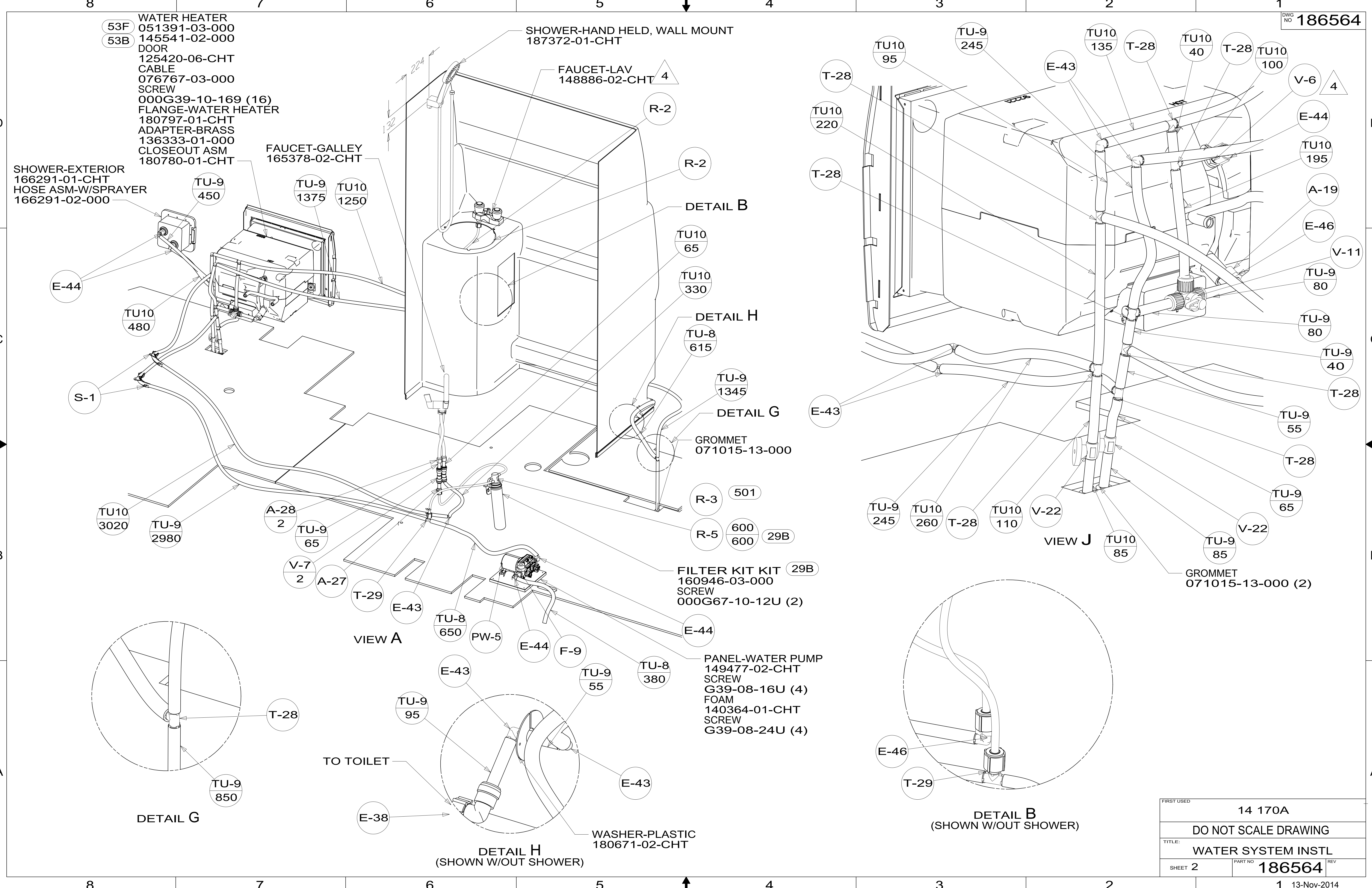
- 29B WATER PURIFIER
- 501 WATER PURIFIER WITHOUT
- 53F WATER HEATER-ELEC IGNITION
- 53B WTR HTR-6 GAL ELEC/LP/GAS

WINNEBAGO		COPYRIGHT 2014 WINNEBAGO INDUSTRIES, INC.	
DFT-ORIG	ORIG. DATE	ALL DIMENSIONS ARE IN MILLIMETERS	
CHKR			
P.E.			
M.E.	FIRST USED		
DSNR		14 170A	
UNSPECIFIED TOLERANCES ARE:		MATERIAL:	
WHOLE DIM (X)	: 3		
ONE-PLACE (X.X)	: 1.5		
TWO-PLACE (X.XX)	: 0.50		
ANGLE	: 1°		
THIRD ANGLE PROJECTION			
DO NOT SCALE DRAWING		REFER TO ES0018 FOR FASTENER TIGHTENING GUIDELINES	
TITLE: WATER SYSTEM INSTL			
SHEET 1 OF 3	PART NO	186564	REV
REF:	1	13-Nov-2014	

X-X

FOR WATER CALLOUTS SEE DWG NO 116230-01-000

*186564 *A



- 53F 051391-03-000 WATER HEATER
- 53B 145541-02-000 DOOR
- 125420-06-CHT CABLE
- 076767-03-000 SCREW
- 000G39-10-169 (16) FLANGE-WATER HEATER
- 180797-01-CHT ADAPTER-BRASS
- 136333-01-000 CLOSEOUT ASM
- 180780-01-CHT

SHOWER-EXTERIOR
166291-01-CHT
HOSE ASM-W/SPRAYER
166291-02-000

FAUCET-GALLEY
165378-02-CHT

SHOWER-HAND HELD, WALL MOUNT
187372-01-CHT

FAUCET-LAV
148886-02-CHT

DETAIL B

DETAIL H

DETAIL G

FILTER KIT KIT 29B
160946-03-000
SCREW
000G67-10-12U (2)

PANEL-WATER PUMP
149477-02-CHT
SCREW
G39-08-16U (4)
FOAM
140364-01-CHT
SCREW
G39-08-24U (4)

WASHER-PLASTIC
180671-02-CHT

VIEW J

DETAIL B
(SHOWN W/OUT SHOWER)

DETAIL G

VIEW A

TO TOILET

DETAIL H
(SHOWN W/OUT SHOWER)

FIRST USED	14 170A
DO NOT SCALE DRAWING	
TITLE: WATER SYSTEM INSTL	
SHEET 2	PART NO 186564 REV
1 13-Nov-2014	

186564

- U-CHANNEL 165872-03-CHT
- BOLT-HOOK 091274-08-000
- BOLT-HOOK 091274-06-000
- WASHER 000E13-18-00U (2)
- NUT 000D29-06-00U (2)
- CLAMP-HOSE 062401-01-000

- TUBE 122737-51-088
- TAPE 76322-02-000 (400)
- (TAPE TUBE TO TOP OF CHANNEL)

- TANK ASM-WATER, 28 GAL 165457-02-000

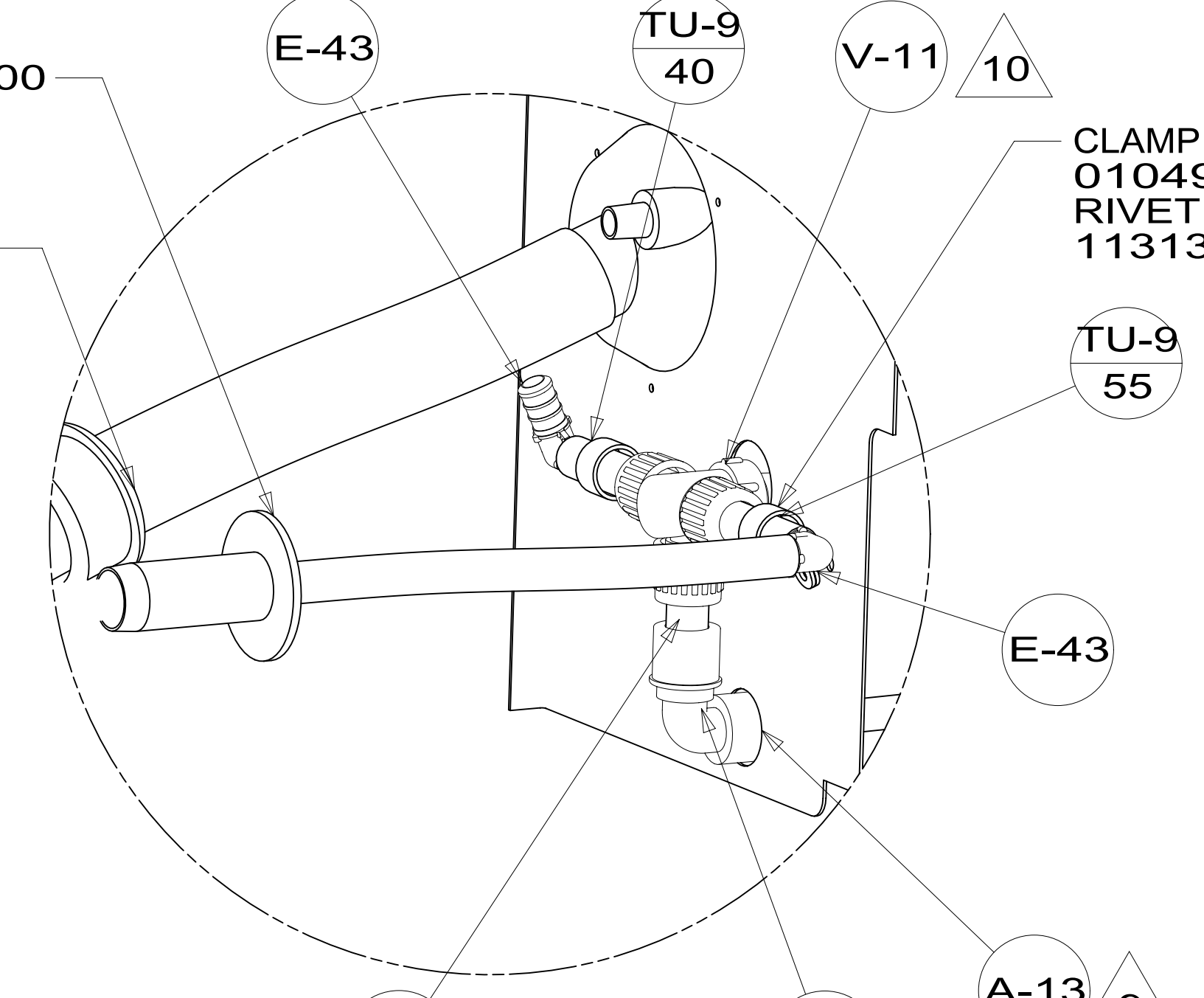
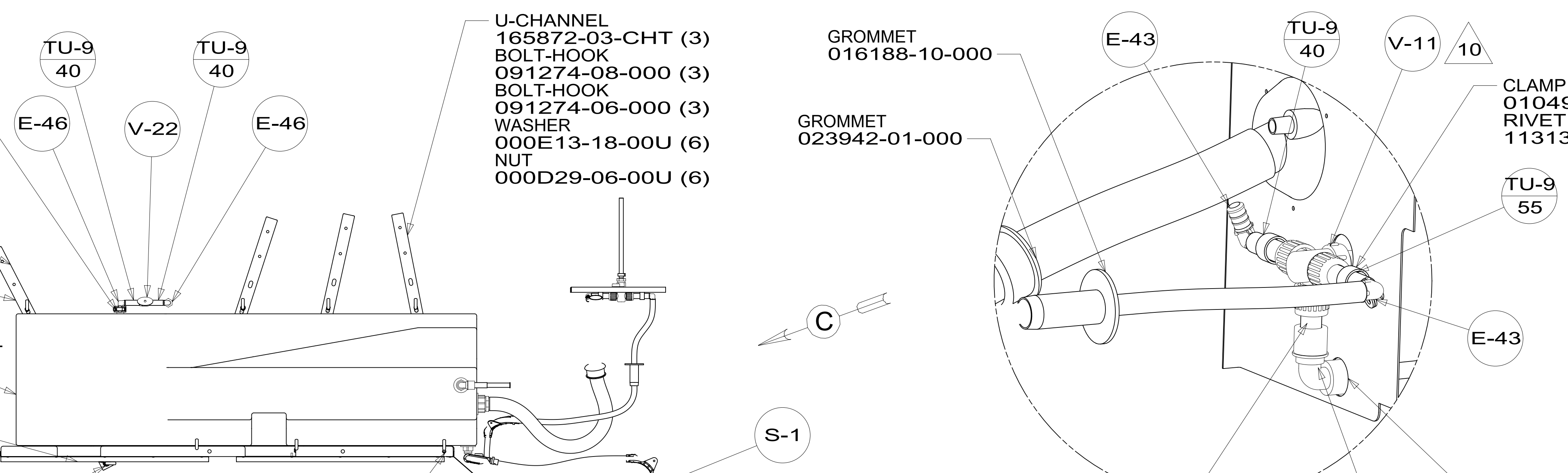
- SHIELD ASM-EXHAUST 166164-01-CHT

- NUT 000D39-06-00U TOP SIDE OF CHANNEL

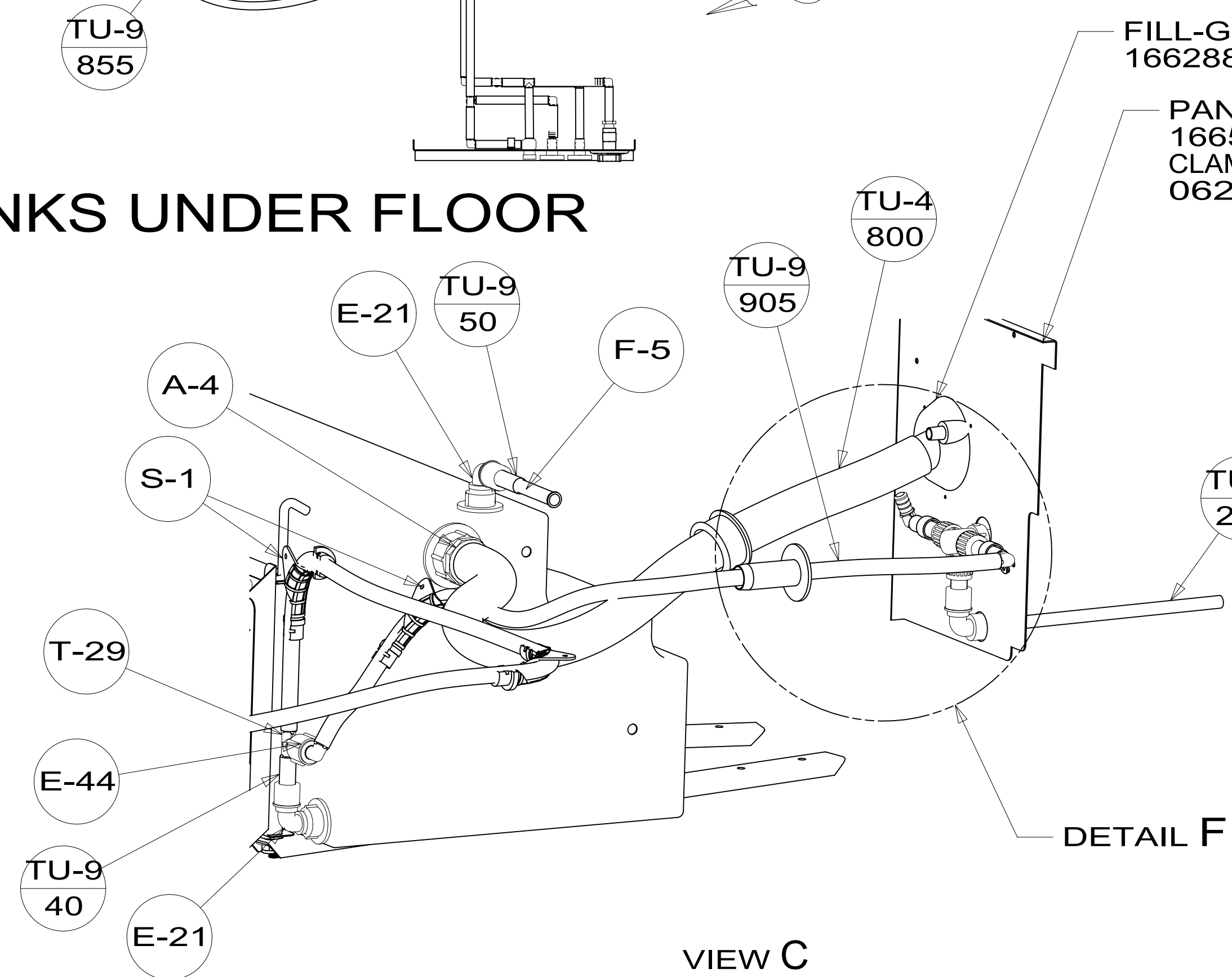
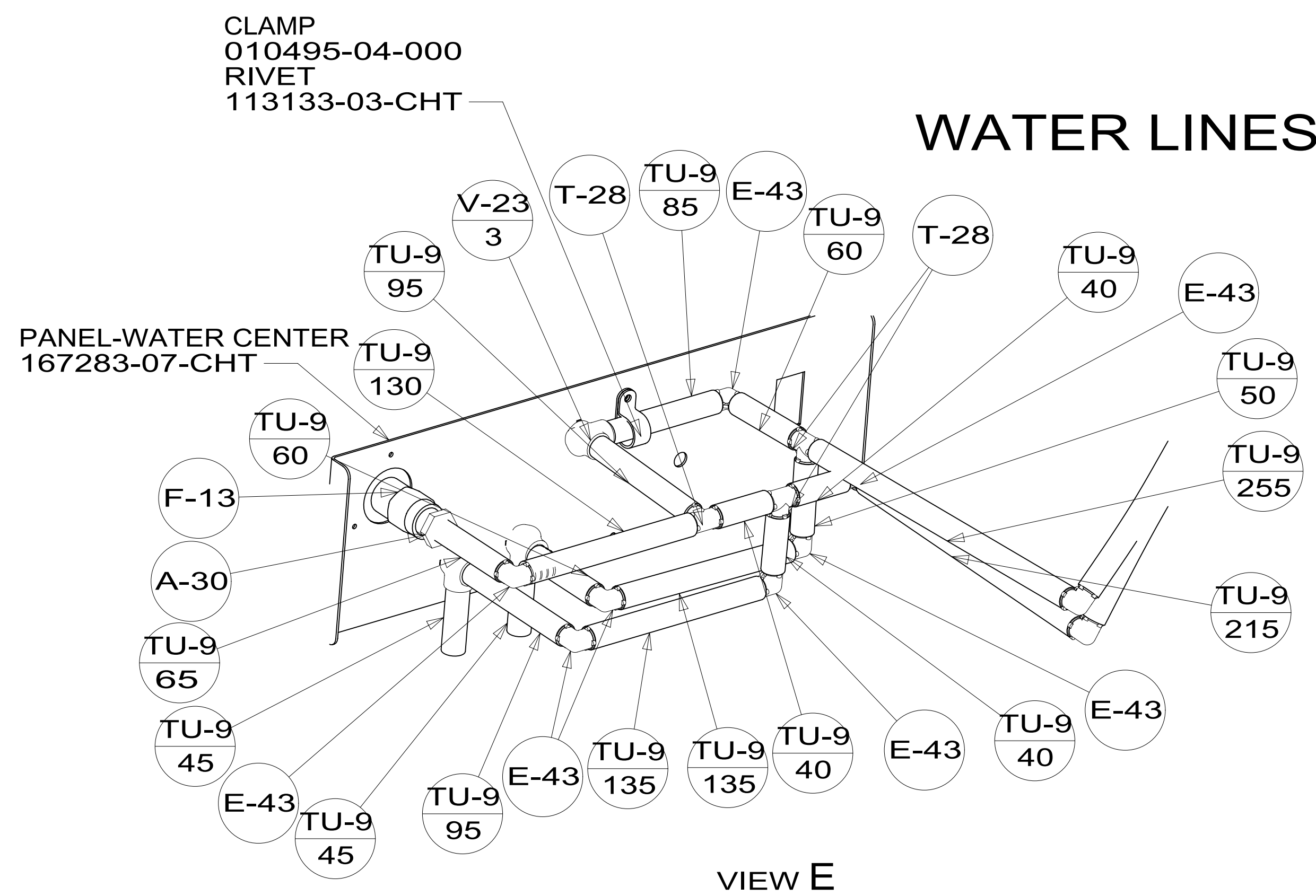
- U-CHANNEL 165872-03-CHT (3)
- BOLT-HOOK 091274-08-000 (3)
- BOLT-HOOK 091274-06-000 (3)
- WASHER 000E13-18-00U (6)
- NUT 000D29-06-00U (6)

- GROMMET 016188-10-000
- GROMMET 023942-01-000

- CLAMP 010495-04-000 (2)
- RIVET 113133-03-CHT (2)



WATER LINES AND TANKS UNDER FLOOR



- FILL-GRAVITY 166288-01-CHT
- PANEL-GRAVITY FILL 166584-03-CHT
- CLAMP 062401-01-000 (2)

FIRST USED	14 170A
DO NOT SCALE DRAWING	
TITLE: WATER SYSTEM INSTL	
SHEET 3	PART NO 186564 REV
1 13-Nov-2014	

*186564 *A