



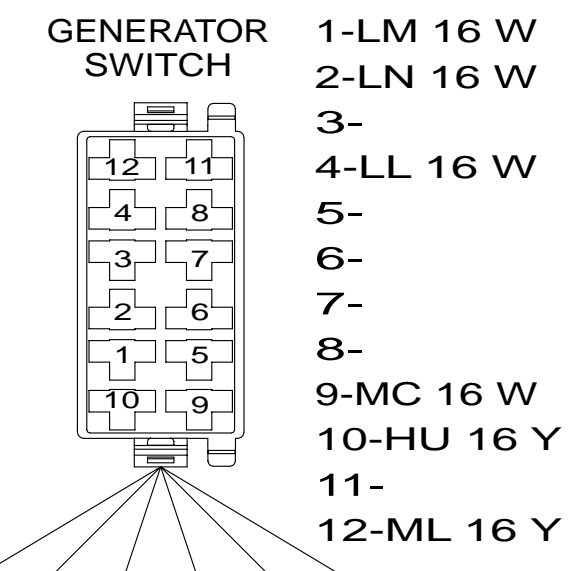
DANGER

Danger of electrical shock, burns or death. Always remove all power sources before attempting any repair, service or diagnostic work. Power can be present from shore power, generator, inverter or battery. All power sources must be disabled and secured before performing any service.

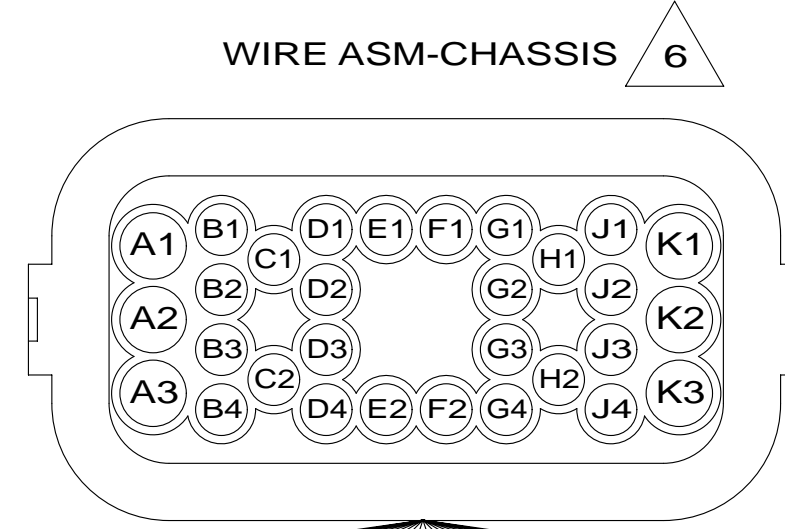


CAUTION

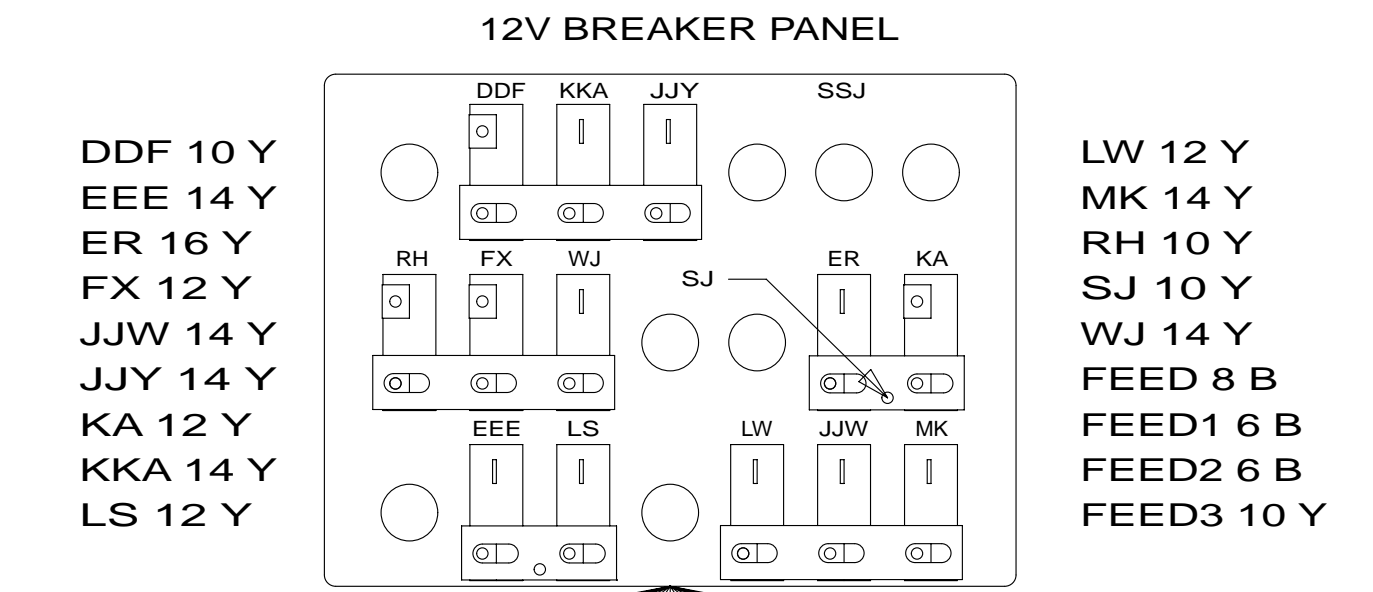
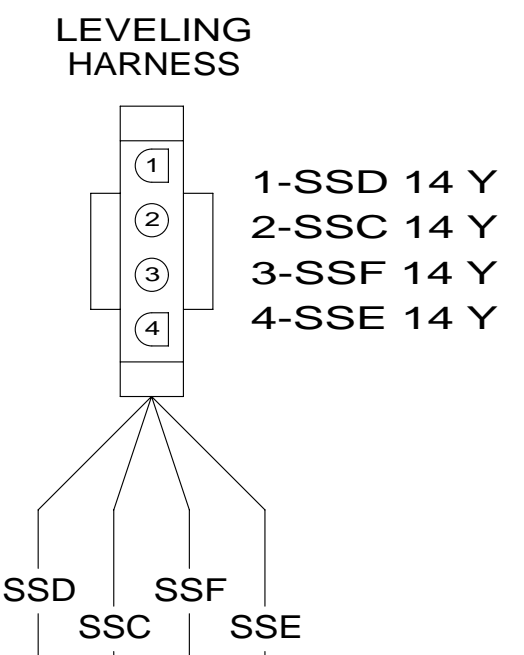
If you lack the skills, tools or equipment to perform diagnostic or repair work leave such work to an authorized Winnebago Industries dealer or other qualified shop.



- A1-RE 12 Y
- A2-FX 12 Y
- A3-
- B1-LJ 14 Y
- B2-UUG 14 Y
- B3-SSC 14 Y
- B4-SSD 14 Y
- C1-SSE 14 Y
- C2-SSF 14 Y
- D1-LL 16 W

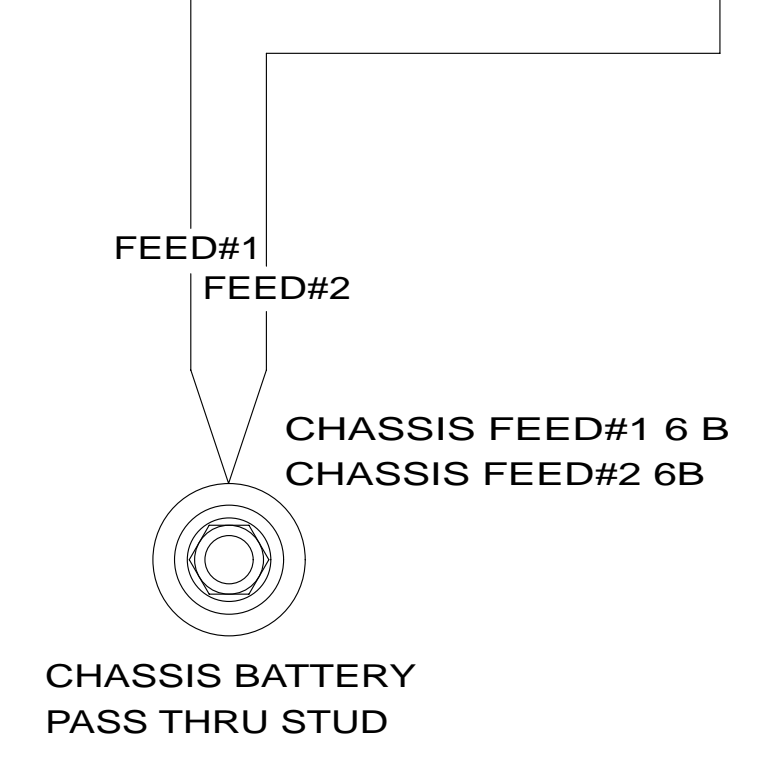
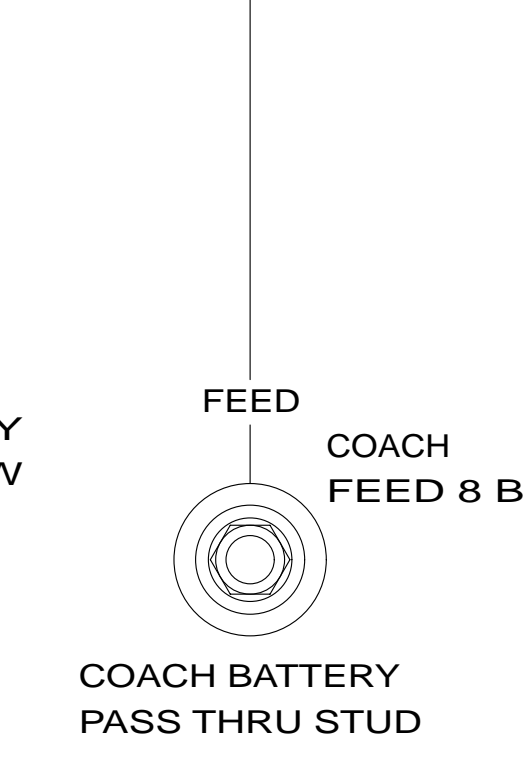
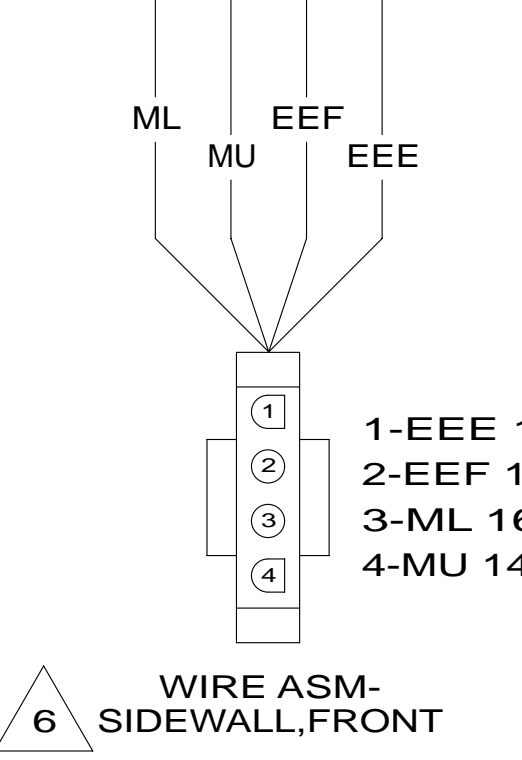
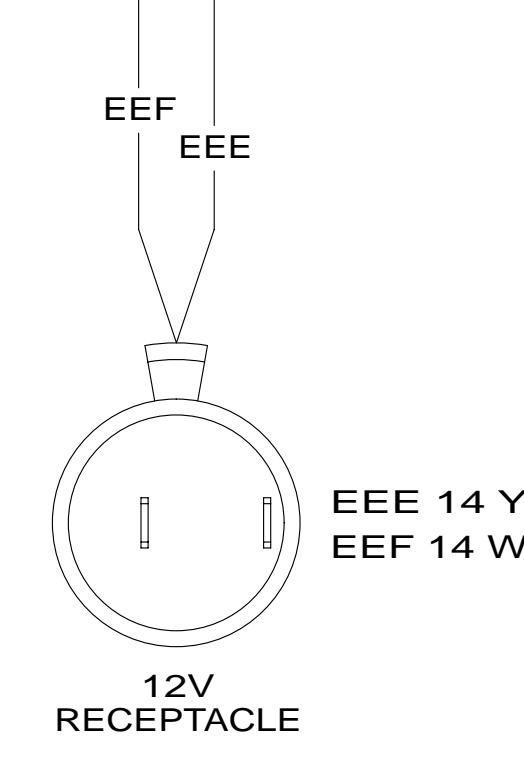
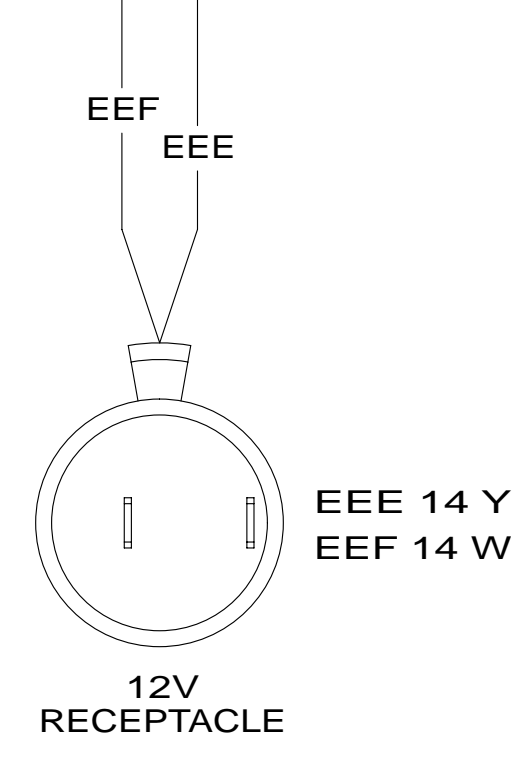
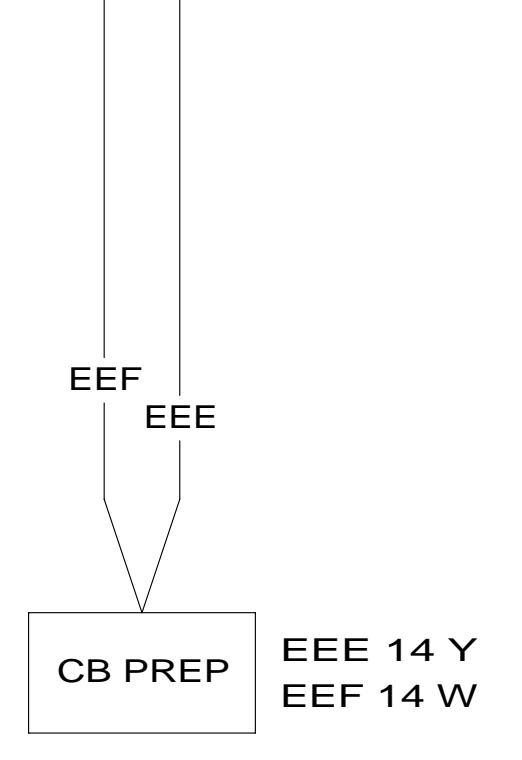
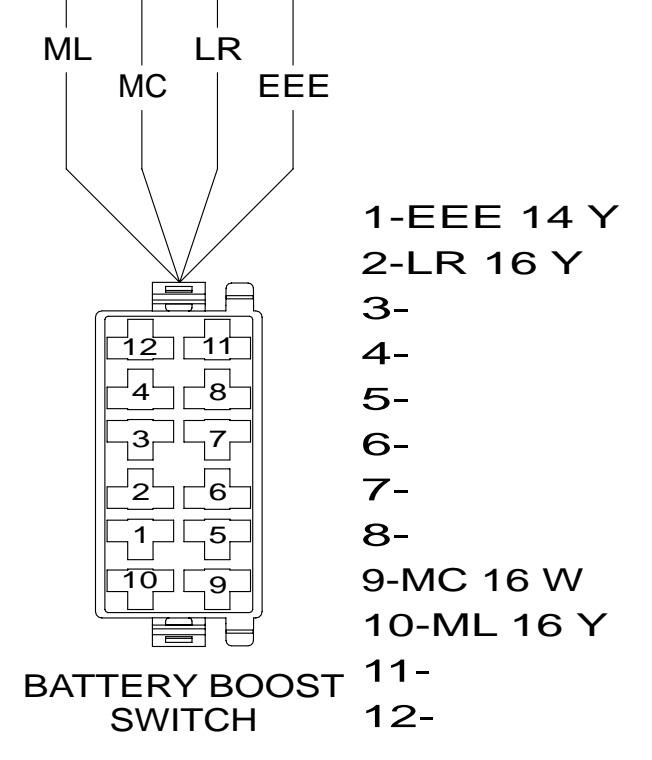
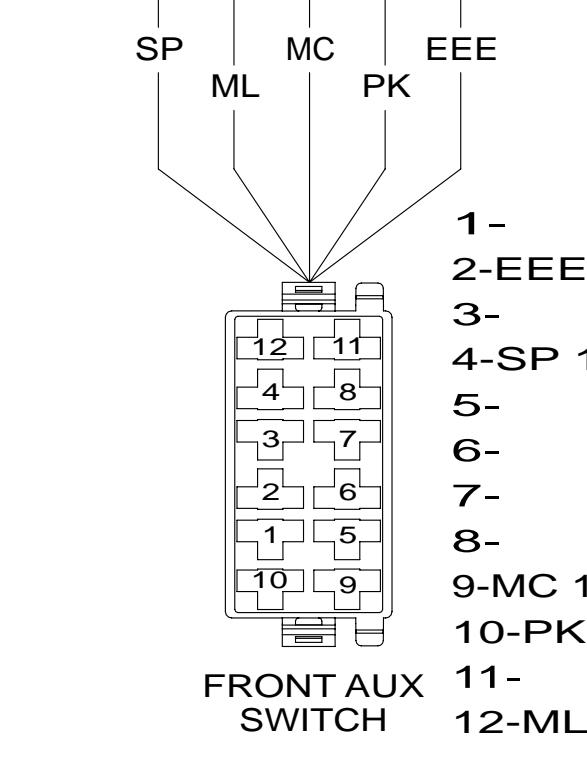


- D2-LM 16 W
- D3-LN 16 W
- D4-HU 16 Y
- E1-MM 14 Y
- E2-EEE 14 Y
- F1-MK 14 Y
- F2-LR 16 Y
- G1-DY 14 W
- G2-
- G3-
- G4-
- H1-
- H2-
- J1-JJX 14 Y
- J2-JJZ 14 Y
- J3-ER 16 Y
- J4-
- K1-
- K2-KA 12 Y
- K3-SJ 10 Y



- DY
- JJX
- MM
- UUG
- LJ
- JJZ
- RE
- NK
- PK
- GND

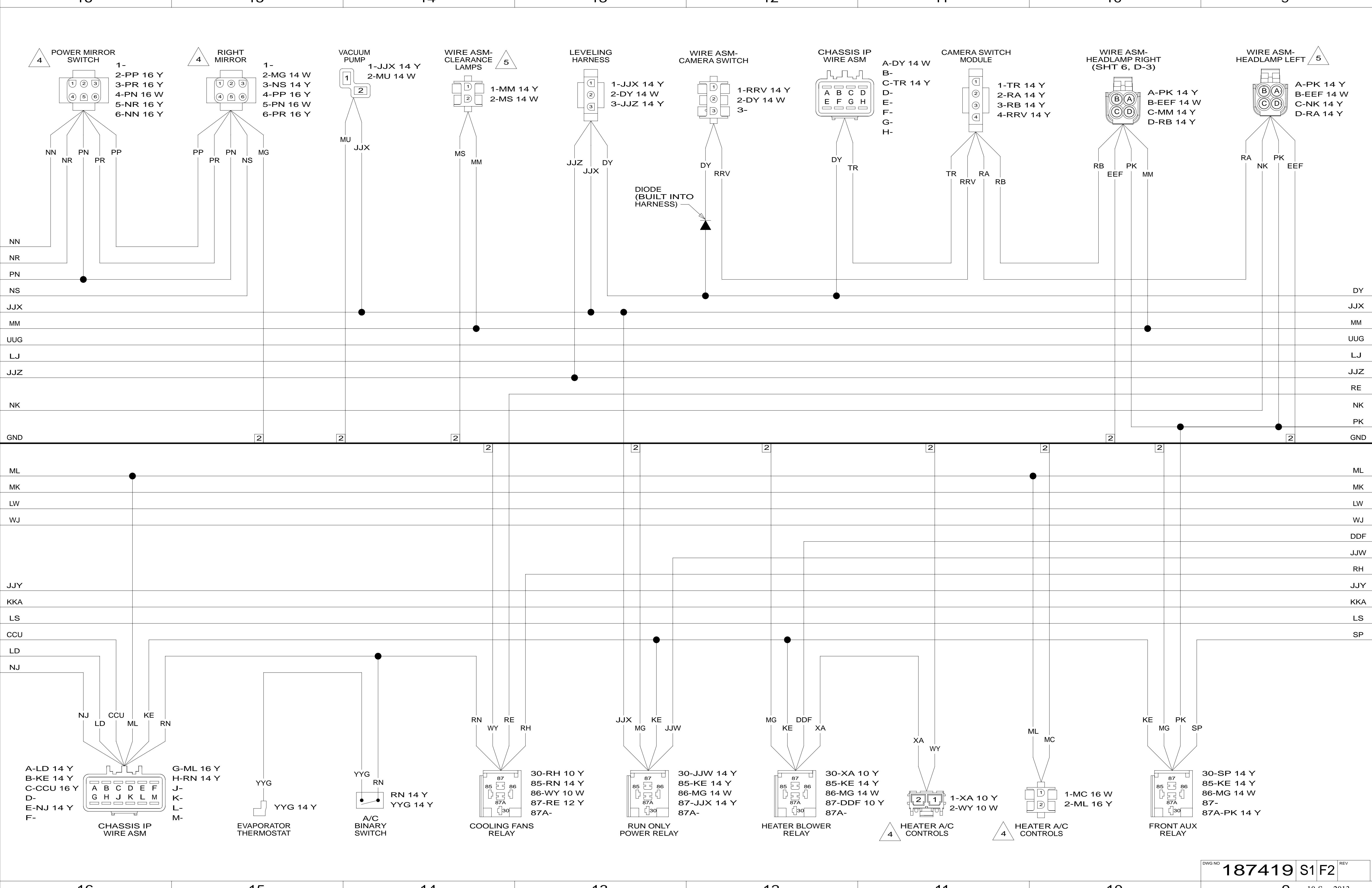
- ML
- MK
- LW
- WJ
- DDF
- JJW
- RH
- JJY
- KKA
- LS
- SP

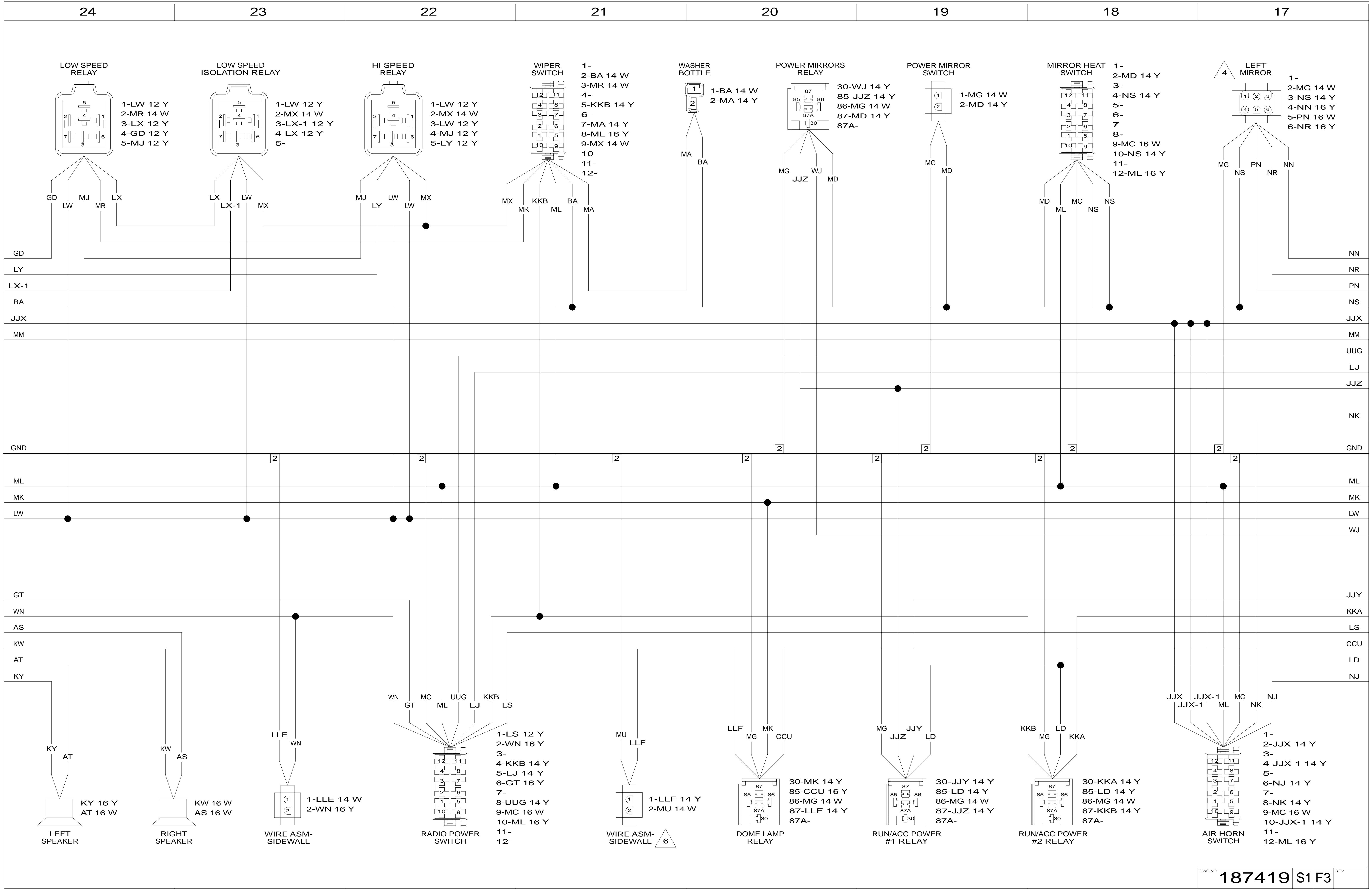


WIRING DIAGRAM-IP, MAIN
(WIRE ASM 185609 REV-F)

WINNEBAGO		COPYRIGHT 2013 WINNEBAGO INDUSTRIES, INC.	
DFT-ORIG	ORIG. DATE	ALL DIMENSIONS ARE IN MILLIMETERS	
CHKR		FIRST USED	
P.E.		14 L-SERIES	
M.E.		MATERIAL:	
DSNR		UNSPECIFIED TOLERANCES ARE:	
		WHOLE DIM (X) :	
		ONE-PLACE (X.X) :	
		TWO-PLACE (X.XX) :	
		ANGLE :	
		THIRD ANGLE PROJECTION	
DO NOT SCALE DRAWING		REFER TO ES0018 FOR FASTENER TIGHTENING GUIDELINES	
TITLE: WIRING DIAGRAM-AUTO			

D
C
B
A
187419





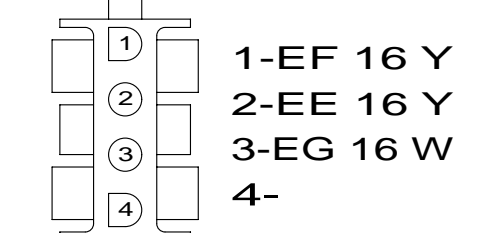
D

C

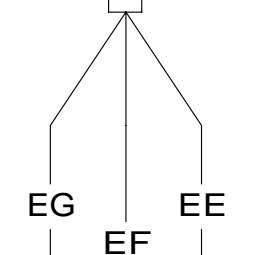
B

A

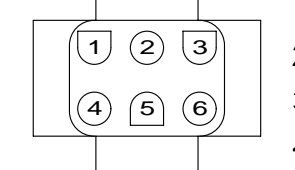
FREIGHTLINER AIR RIDE CONTROL WIRING



- 1-EF 16 Y
- 2-EE 16 Y
- 3-EG 16 W
- 4-



LEVELING HARNESS



- 1-TTA 14 Y
- 2-TTB 14 W
- 3-
- 4-
- 5-EF 16 Y
- 6-EE 16 Y



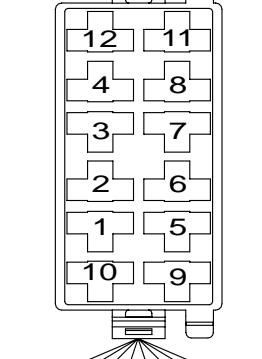
JACKS DOWN LAMP



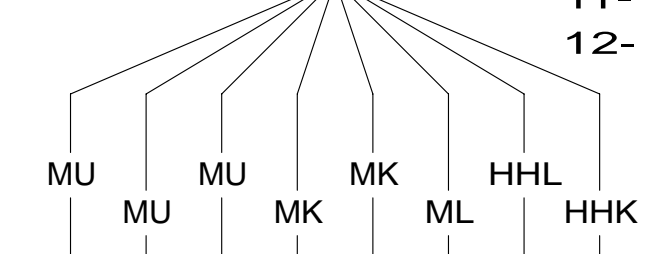
- TTA 14 Y
- TTB 14 W



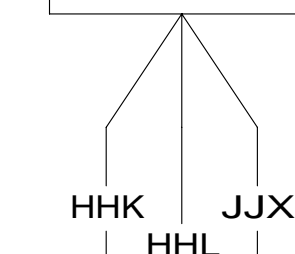
SUNVISOR SWITCH



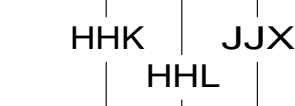
- 1-MK 14 Y
- 2-HHL 14 Y
- 3-
- 4-MU 14 W
- 5-MU 14 W
- 6-
- 7-HHK 14 Y
- 8-MK 14 Y
- 9-MU 14 W
- 10-ML 16 Y
- 11-
- 12-



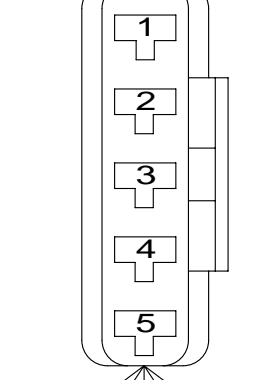
FRONT SHADE



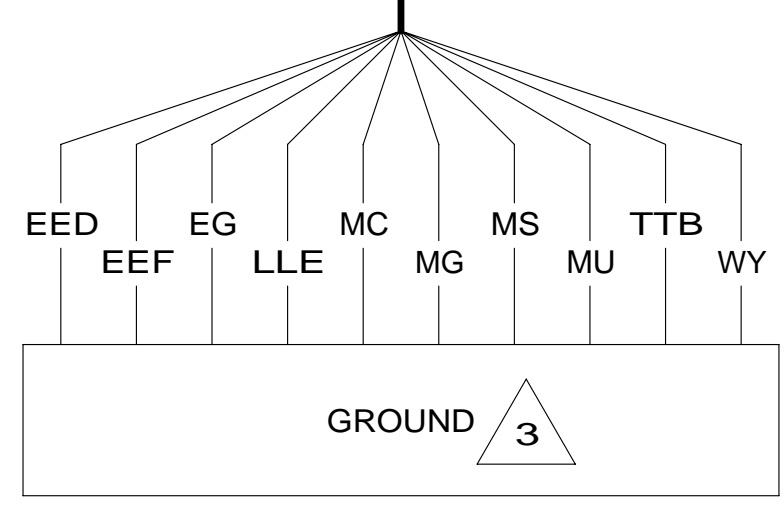
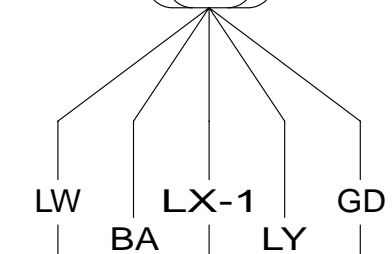
- HHK 14 Y
- HHL 14 Y
- JJX 14 Y



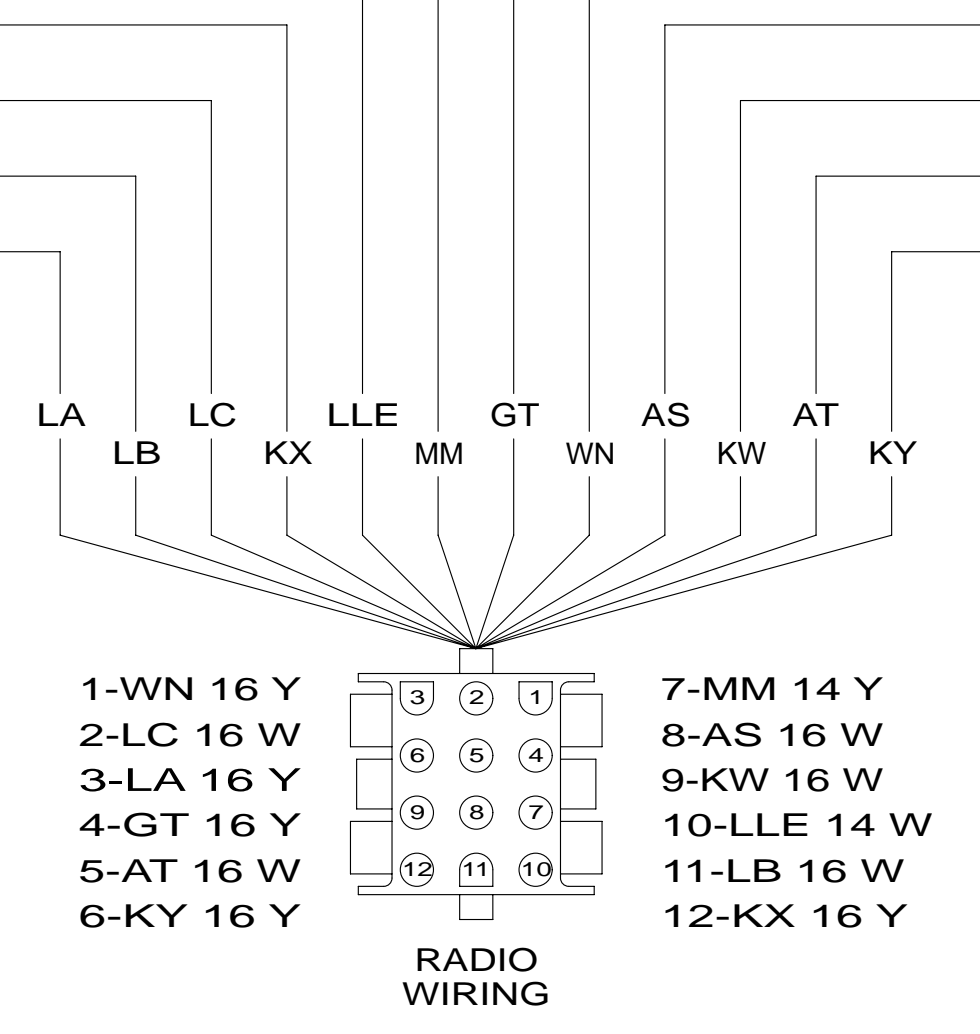
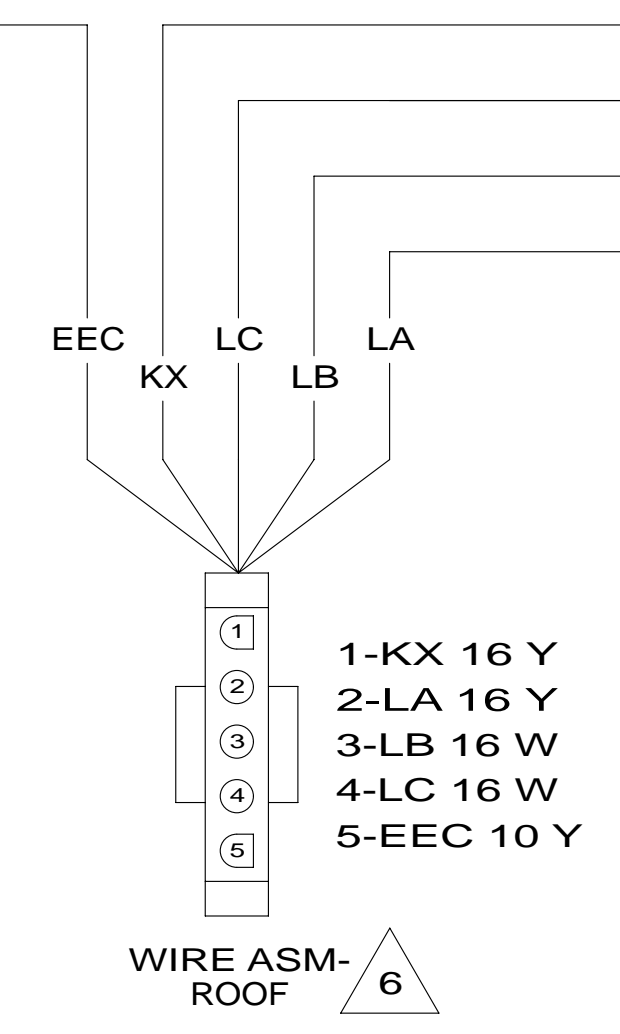
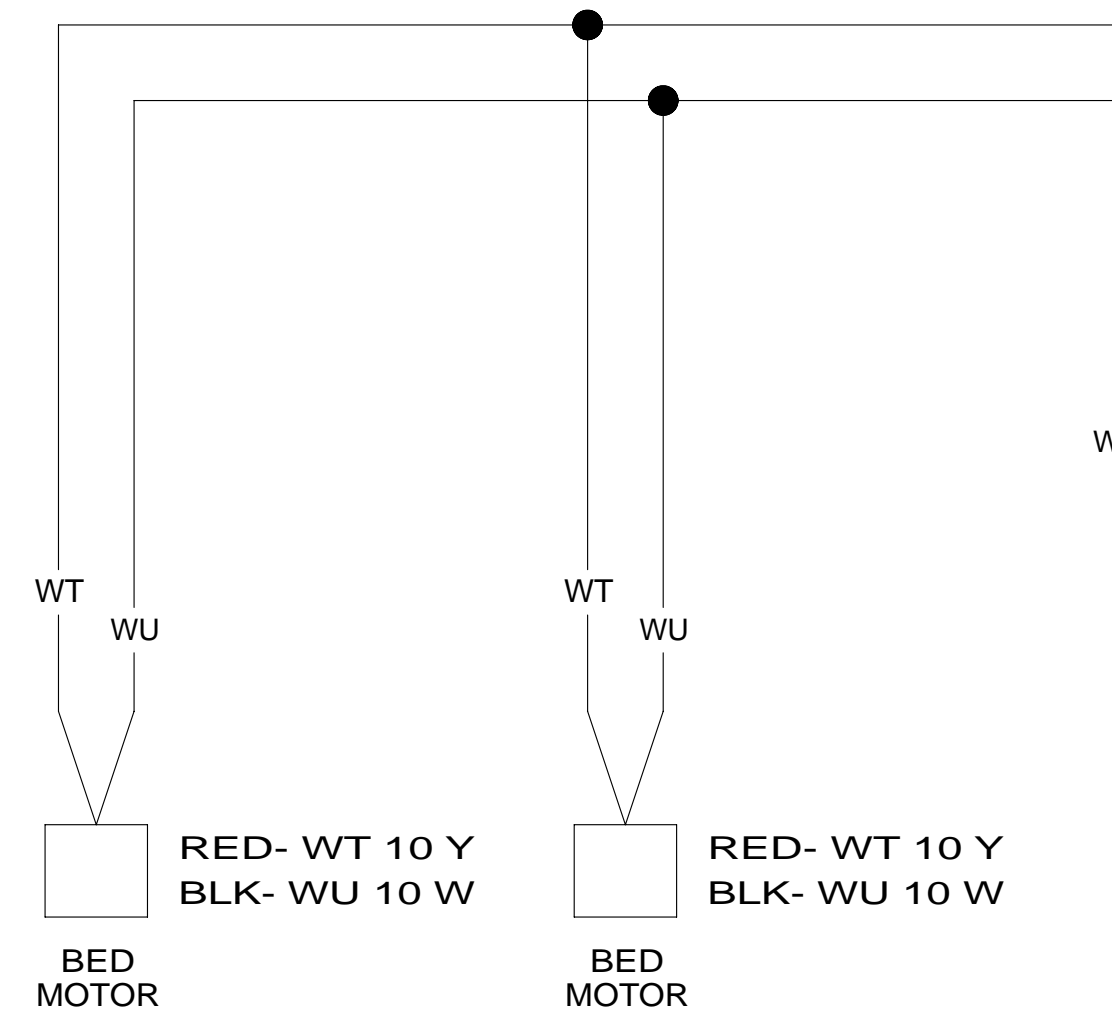
WIPER MOTOR



- 1-BA 14 W
- 2-GD 12 Y
- 3-LW 12 Y
- 4-LY 12 Y
- 5-LX-1 12 Y

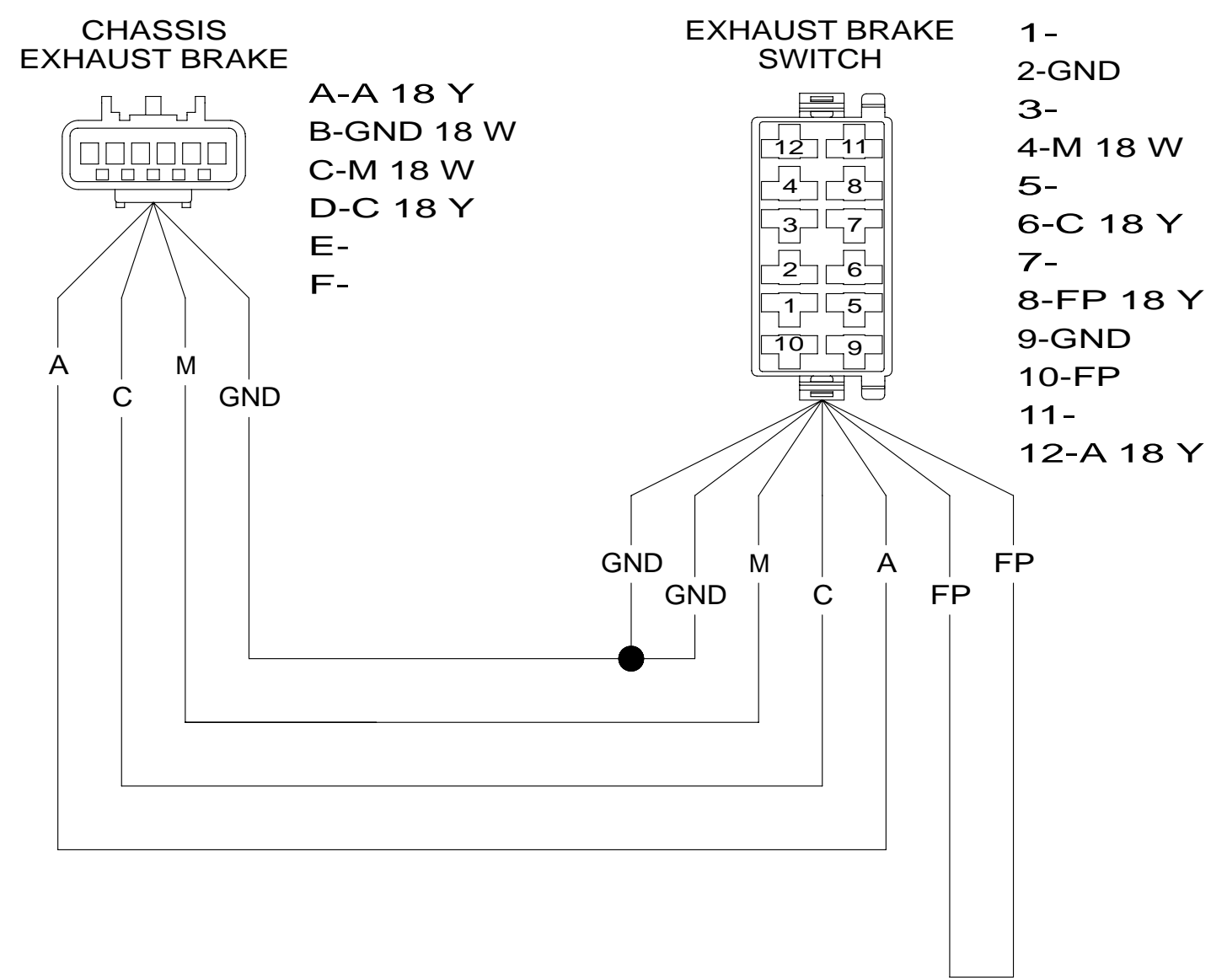


- EED 10 W
- EEF 14 W
- EG 16 W
- LLE 14 W
- MC 16 W
- MG 14 W
- MS 14 W
- MU 14 W
- TTB 14 W
- WY 10 W



- 6 SEE WIRING DIAGRAM-BODY,12V FOR ADDITIONAL INFORMATION.
 - 5 SEE WIRING DIAGRAM-AUTO LAMPS FOR ADDITIONAL INFORMATION.
 - 4 SEE MANUFACTURERS DIAGRAM FOR ADDITIONAL INFORMATION.
 - 3 GROUNDS ARE SHOWN AS A SINGLE LINE FOR EASE IN TRACING. EACH GROUND CIRCUIT IS SEPERATE IN THE HARNESS.
 - 2 NOT A SPLICE POINT. INDICATES ENTRY INTO WIRING HARNESS.
1. SPLICES ARE THEORETICAL AND MAY DIFFER IN THE HARNESS.

NOTES:



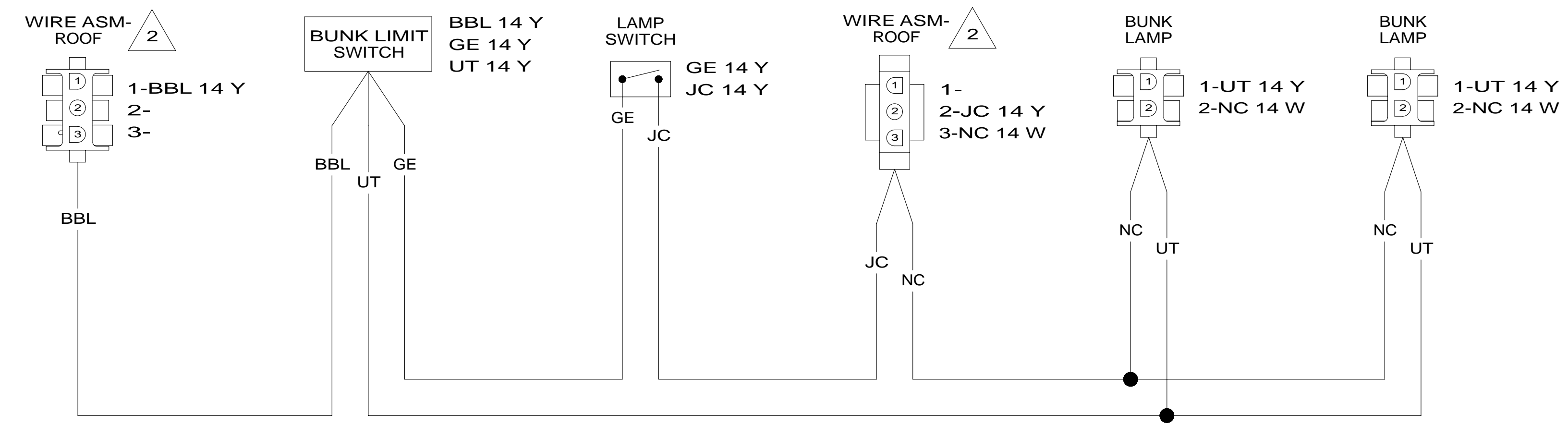
1. SPLICES ARE THEORETICAL AND MAY DIFFER IN THE HARNESS.

NOTES:

WIRING DIAGRAM-
EXHAUST BRK SWITCH
(WIRE ASM 157534-07 REV-U)

FIRST USED	14 L-SERIES	
TITLE:	DO NOT SCALE DRAWING	
SHEET 2	PART NO 187419	REV

* 187419 * A



2 SEE WIRING DIAGRAM-BODY, 12V FOR ADDITIONAL INFORMATION.

1. SPLICES ARE THEORETICAL AND MAY DIFFER IN THE HARNESS.

NOTES:

WIRING DIAGRAM-BUNK
(WIRE ASM 187177 REV-A)

FIRST USED	14 L-SERIES	
DO NOT SCALE DRAWING		
TITLE:	WIRING DIAGRAM, AUTO	
SHEET 3	PART NO 187419	REV

* 187419 * A *