



**DANGER**

**Danger of electrical shock, burns or death.** Always remove all power sources before attempting any repair, service or diagnostic work. Power can be present from shore power, generator, inverter or battery. All power sources must be disabled and secured before performing any service.

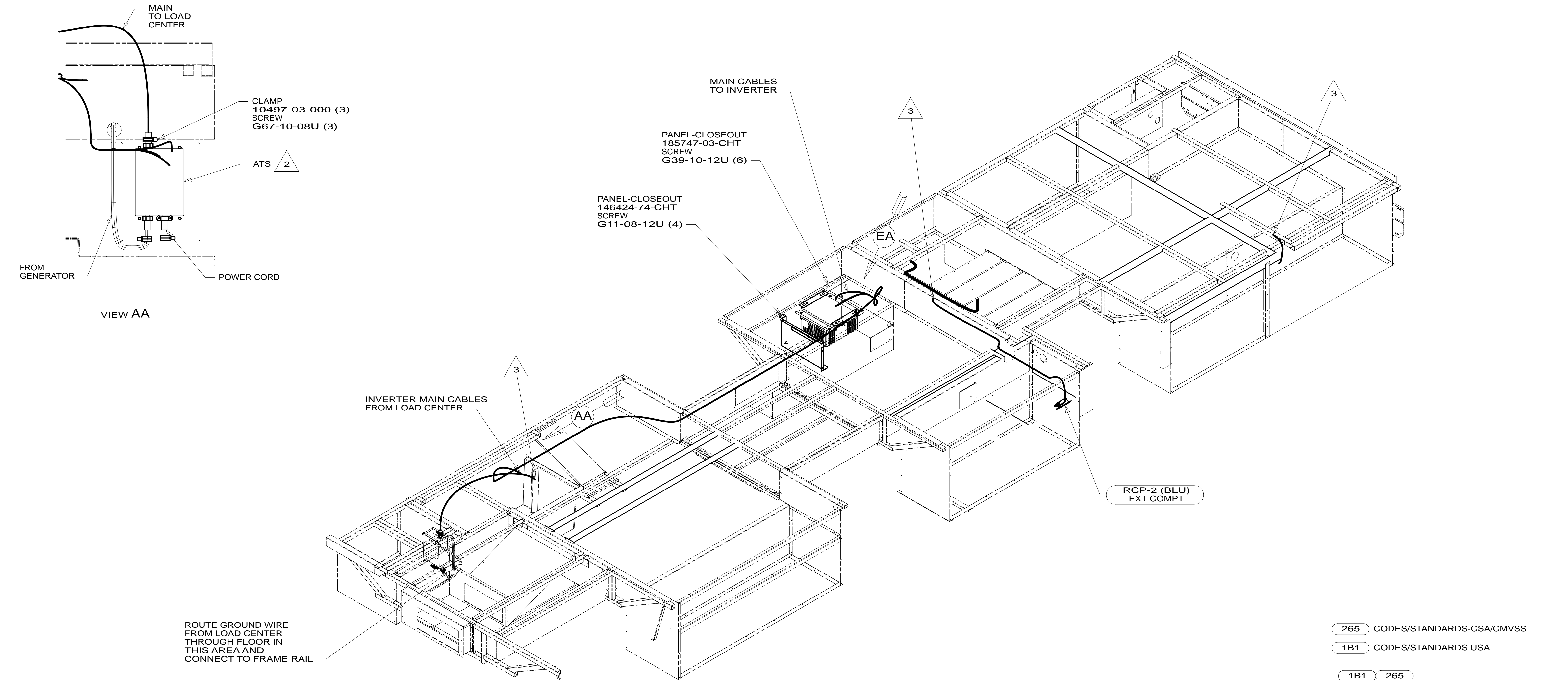


**CAUTION**

If you lack the skills, tools or equipment to perform diagnostic or repair work leave such work to an authorized Winnebago Industries dealer or other qualified shop.

DRAWING NO.	FEATURE
187207-12	1B1 78J
187207-16	265 78J

RELEASE	REV/DATE	DWG NO	187207
REV ZONE	REVISION RECORD	DATE	DFT-ORIG



4. ALL WIRES TO BE SECURED WITH CLAMP 10495 OR 10497 OR WIRE TIE 8343 OR 108046 EVERY 600MM, USE SCREW G67-XX-XXX OR G56-XX-XXX AS APPROPRIATE FOR INSTALLATION.
- 3 WIRE ROUTED THROUGH FLOOR IN THIS AREA.
- 2 SEE LOAD CENTER/ATS ASM FOR ADDITIONAL INFORMATION.
1. WIRES ROUTED UNDER FLOOR.

265	CODES/STANDARDS-CSA/CMVSS
1B1	CODES/STANDARDS USA
1B1	265

**WINNEBAGO** INDUSTRIES, INC. COPYRIGHT 2014

UNSPECIFIED TOLERANCES ARE:  
 WHOLE DIM (X) : 3  
 ONE-PLACE (X.X) : 1.5  
 TWO-PLACE (X.XX) : 0.50  
 ANGLE : 1°

THIRD ANGLE PROJECTION

DO NOT SCALE DRAWING REFER TO ES0018 FOR FASTENER TIGHTENING GUIDELINES

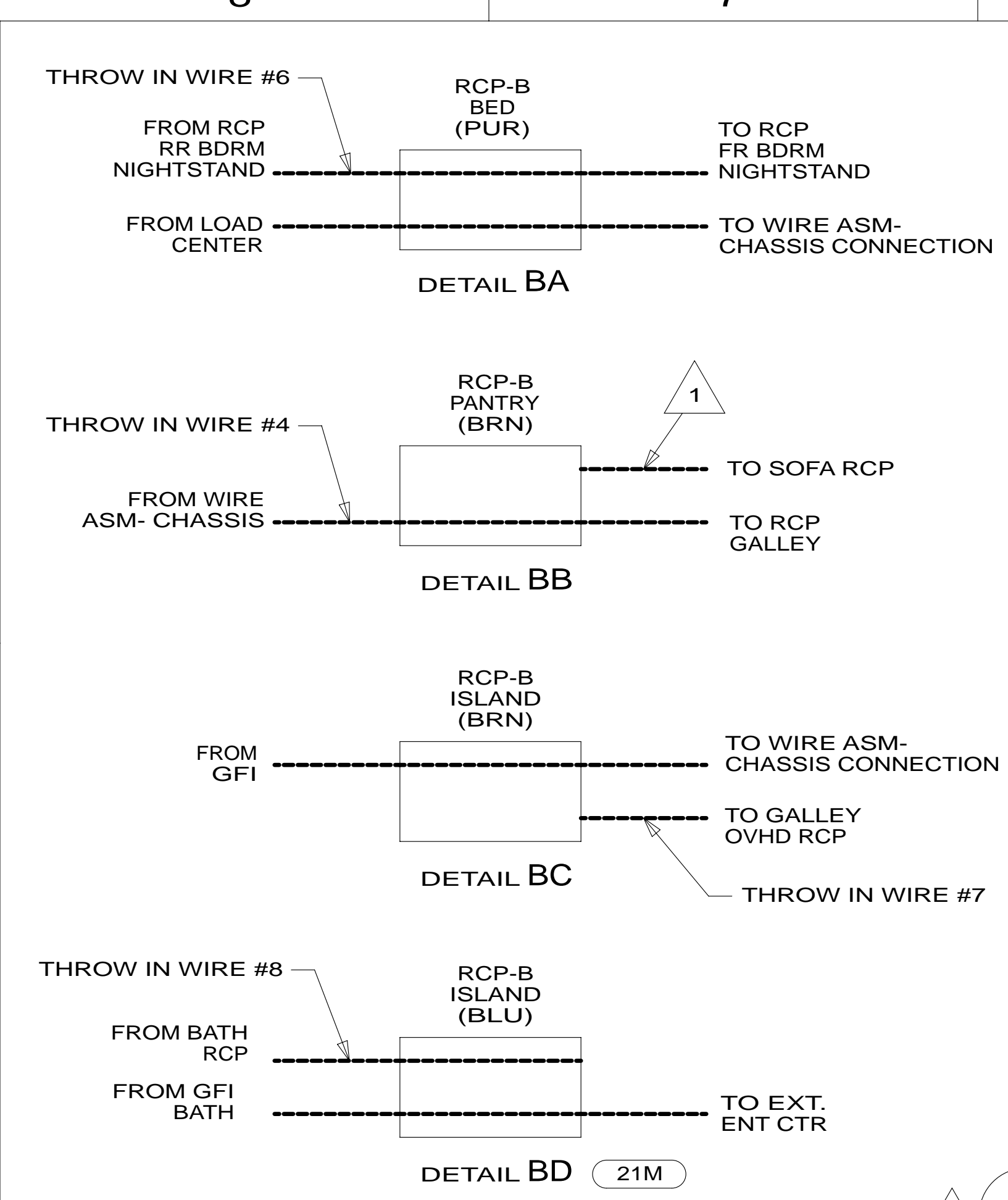
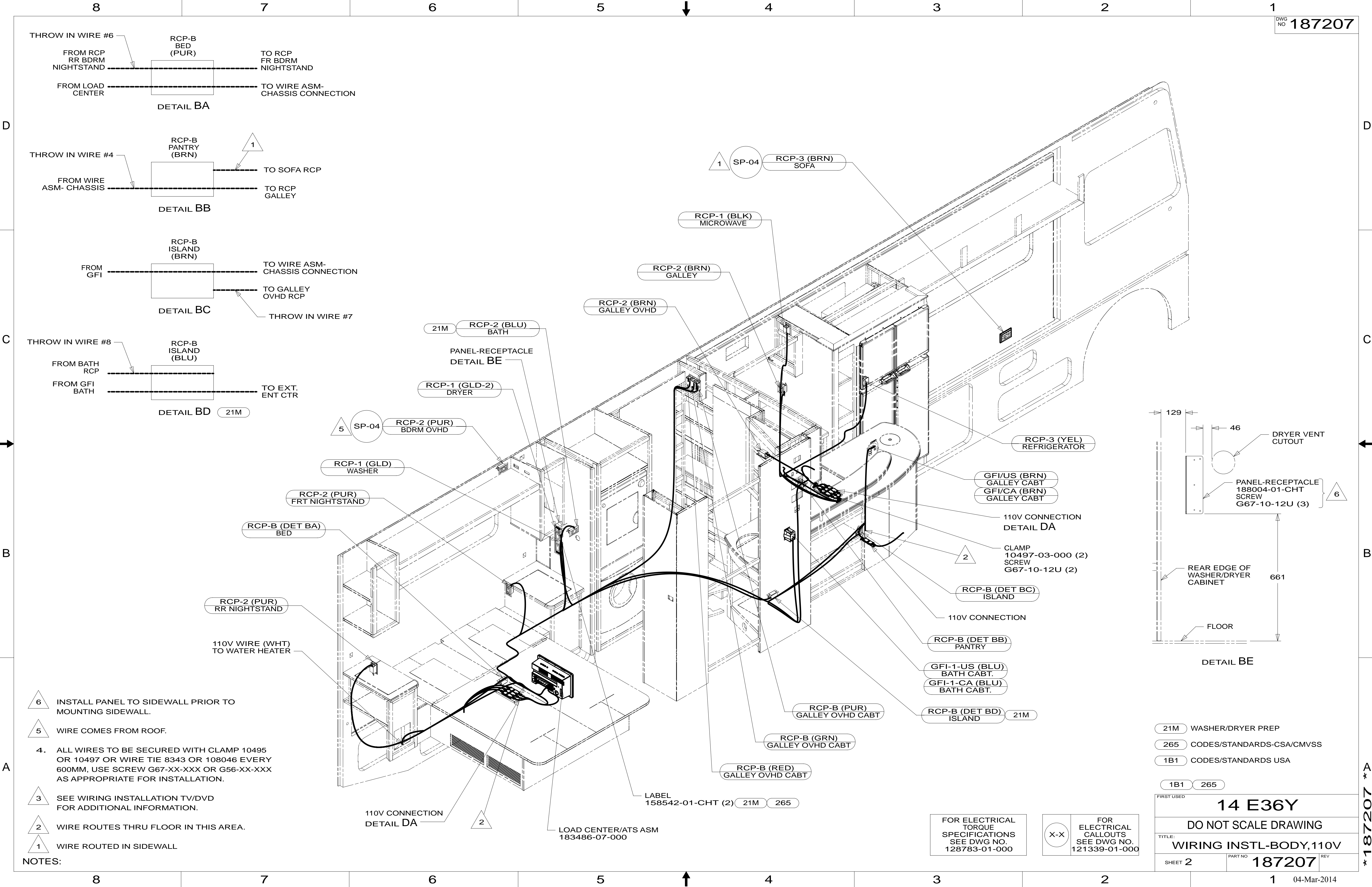
TITLE: **WIRING INSTL-BODY,110V**

SHEET 1 OF 6 PART NO **187207** REV

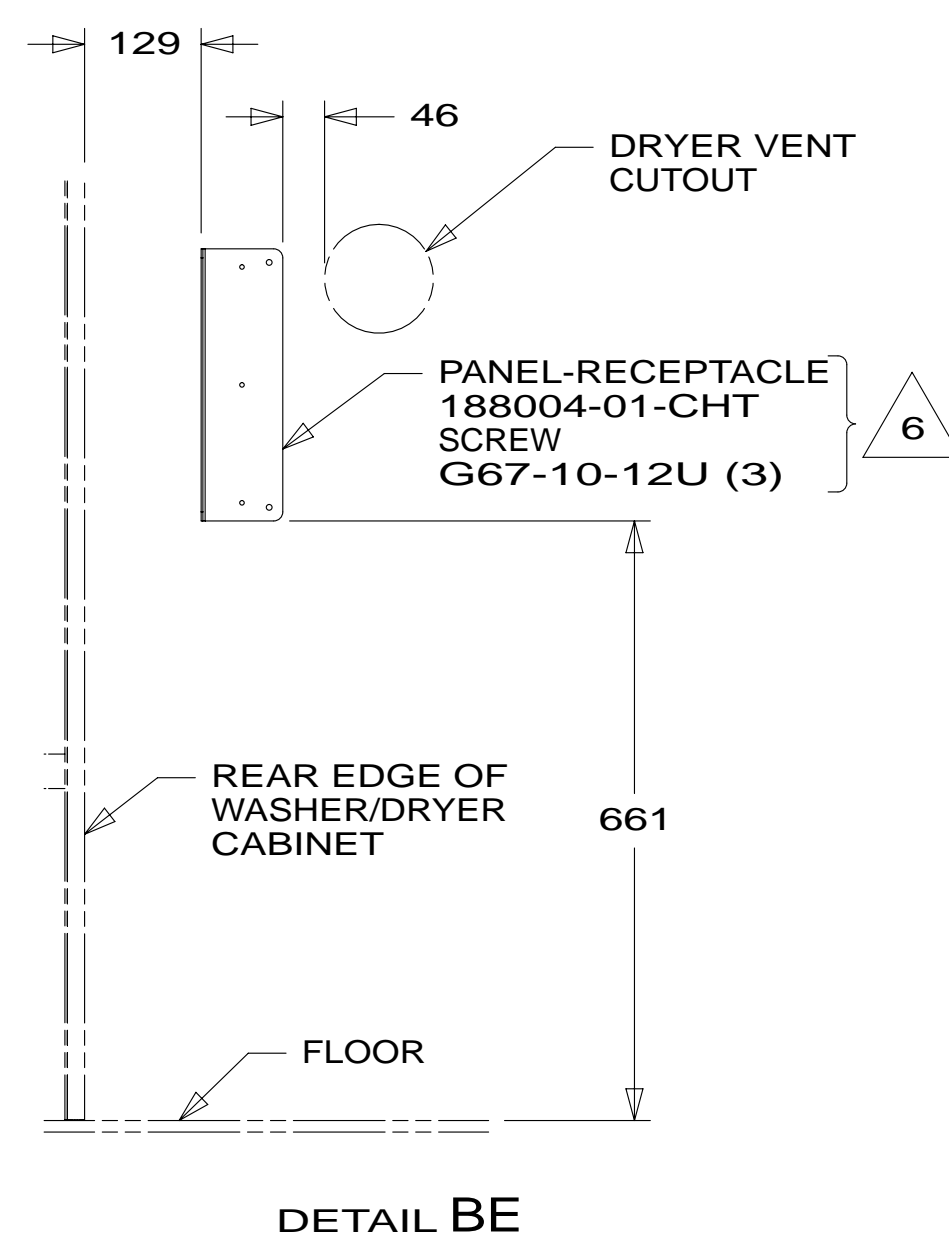
FOR ELECTRICAL TORQUE SPECIFICATIONS SEE DWG NO. 128783-01-000

FOR ELECTRICAL CALLOUTS SEE DWG NO. 121339-01-000

\* 187207 \*



- NOTES:
- 6 INSTALL PANEL TO SIDEWALL PRIOR TO MOUNTING SIDEWALL.
  - 5 WIRE COMES FROM ROOF.
  - 4. ALL WIRES TO BE SECURED WITH CLAMP 10495 OR 10497 OR WIRE TIE 8343 OR 108046 EVERY 600MM, USE SCREW G67-XX-XXX OR G56-XX-XXX AS APPROPRIATE FOR INSTALLATION.
  - 3 SEE WIRING INSTALLATION TV/DVD FOR ADDITIONAL INFORMATION.
  - 2 WIRE ROUTES THRU FLOOR IN THIS AREA.
  - 1 WIRE Routed IN SIDEWALL



21M WASHER/DRYER PREP  
265 CODES/STANDARDS-CSA/CMVSS  
1B1 CODES/STANDARDS USA

1B1 265

FIRST USED  
**14 E36Y**

DO NOT SCALE DRAWING

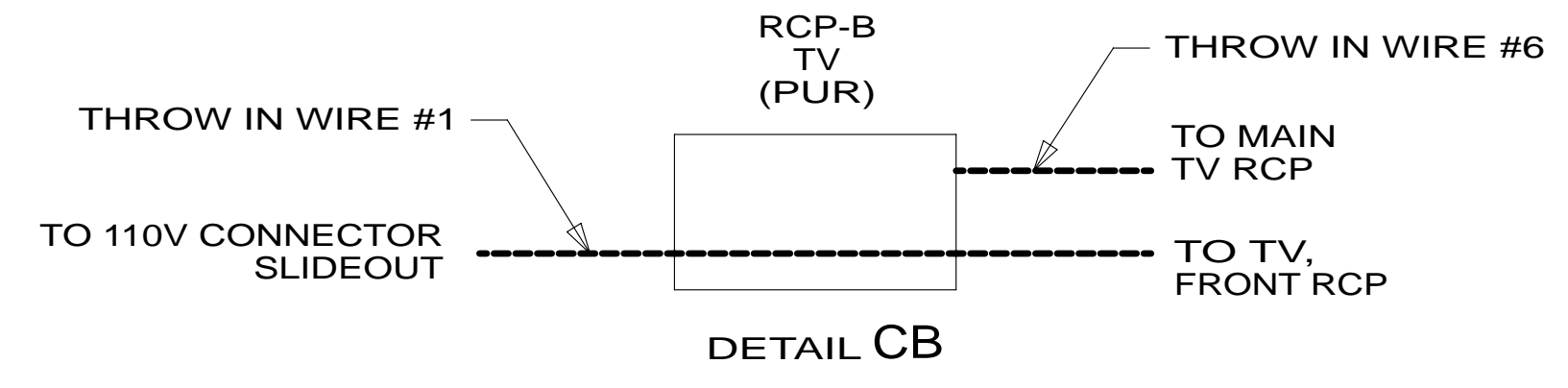
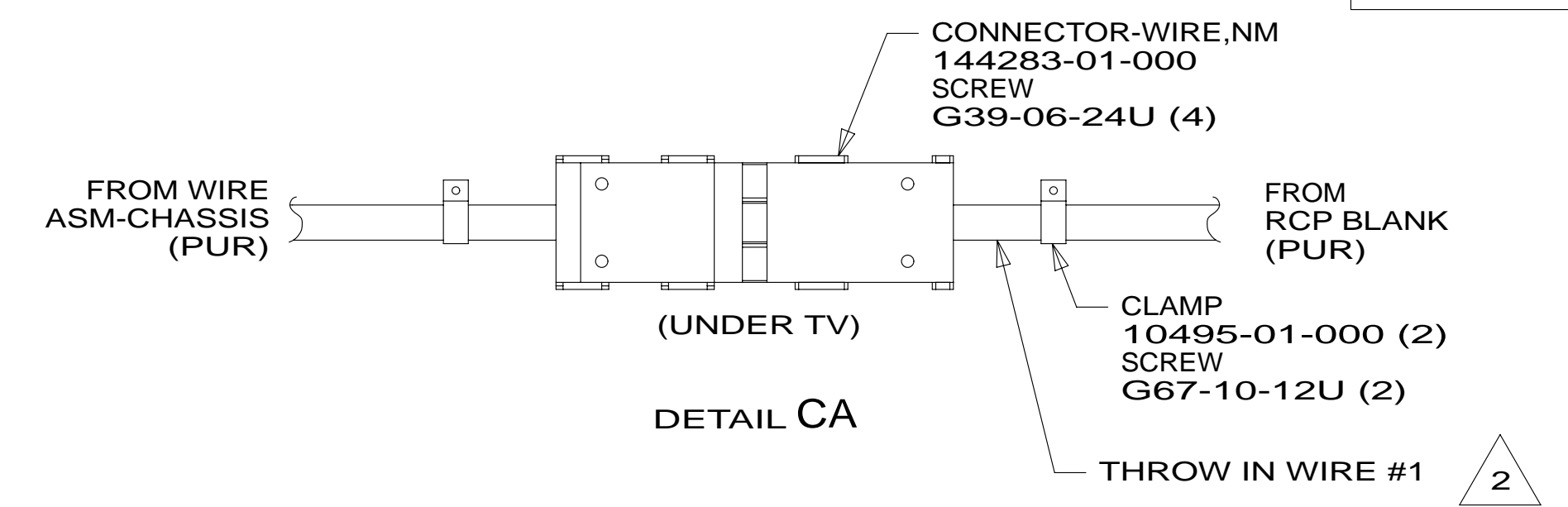
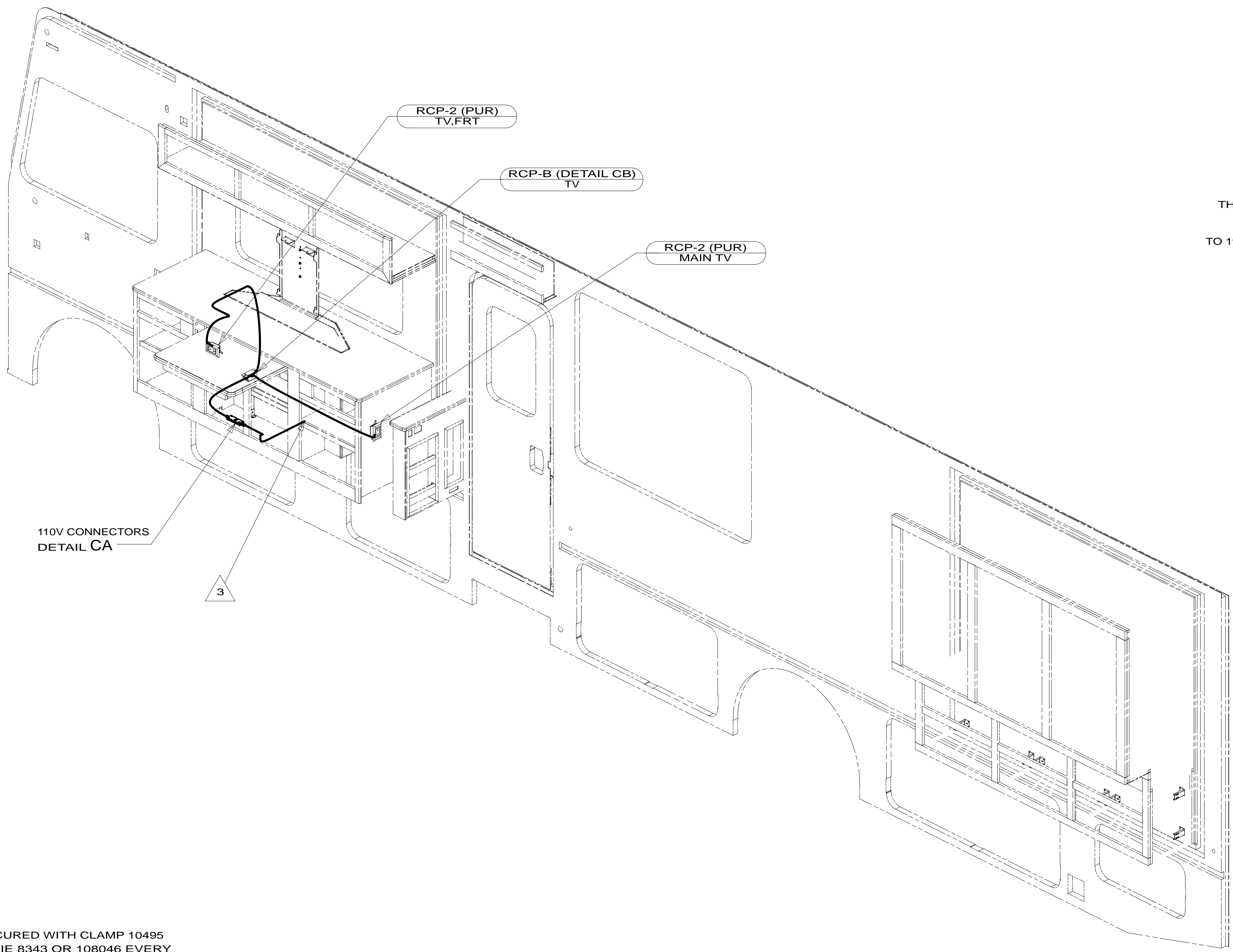
TITLE:  
**WIRING INSTL-BODY, 110V**

SHEET 2 PART NO. **187207** REV

04-Mar-2014

FOR ELECTRICAL TORQUE SPECIFICATIONS SEE DWG NO. 128783-01-000

FOR ELECTRICAL CALLOUTS SEE DWG NO. 121339-01-000



4. ALL WIRES TO BE SECURED WITH CLAMP 10495 OR 10497 OR WIRE TIE 8343 OR 108046 EVERY 600MM, USE SCREW G67-XX-XXX OR G56-XX-XXX AS APPROPRIATE FOR INSTALLATION.

3 WIRES ROUTE THRU FLOOR IN THIS AREA.

2 SEE LOAD CENTER/ATS INSTALLATION FOR ADDITIONAL INFORMATION.

1 WIRE ROUTED IN SIDEWALL.

NOTES:

FOR ELECTRICAL TORQUE SPECIFICATIONS SEE DWG NO. 128783-01-000

FOR ELECTRICAL CALLOUTS SEE DWG NO. 121339-01-000

265 CODES/STANDARDS-CSA/CMVSS

1B1 CODES/STANDARDS USA

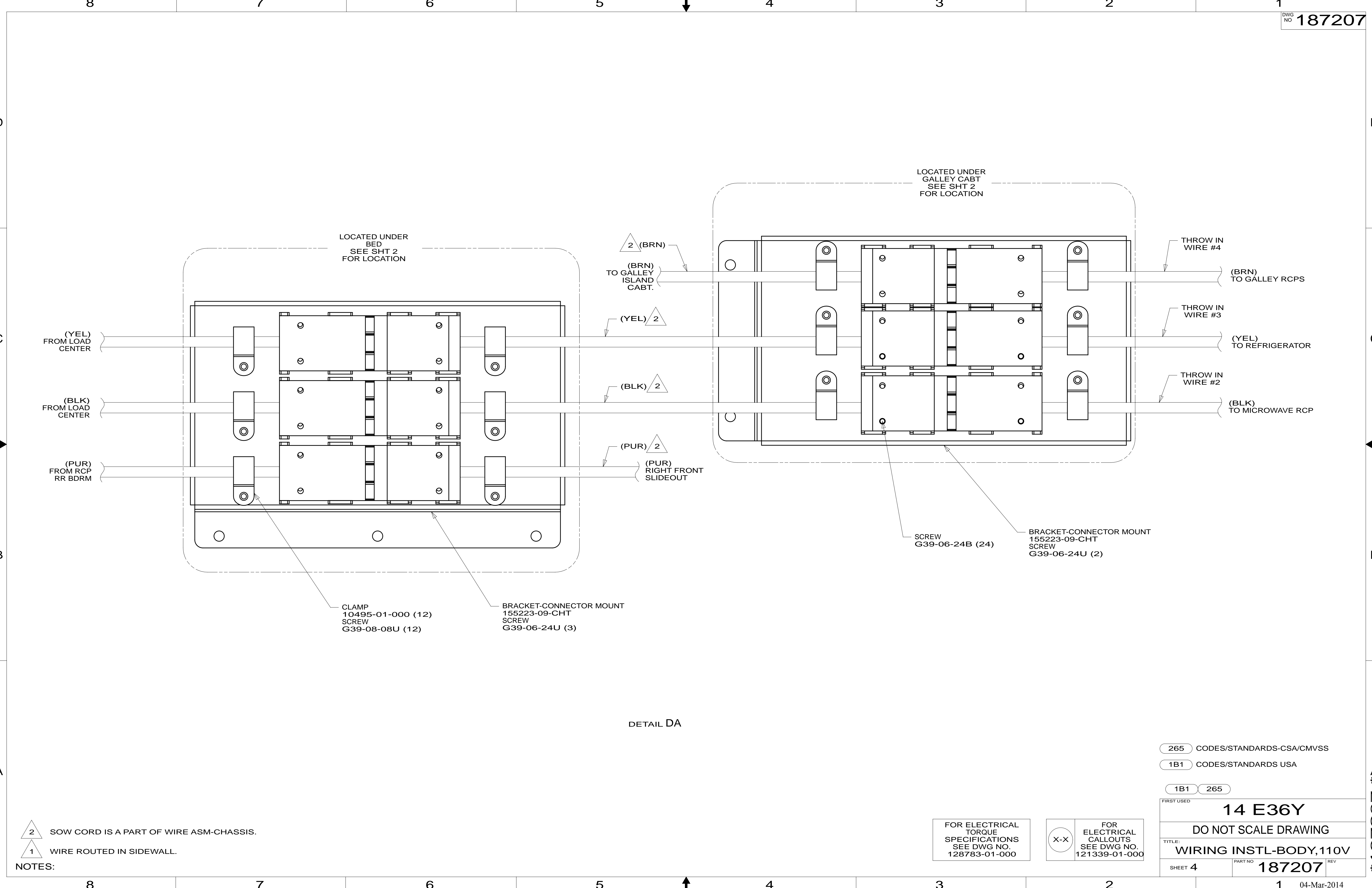
1B1 265

FIRST USED 14 E36Y

DO NOT SCALE DRAWING

TITLE: WIRING INSTL-BODY, 110V

SHEET 3 PART NO. 187207 REV



DETAIL DA

- 2 SOW CORD IS A PART OF WIRE ASM-CHASSIS.
- 1 WIRE ROUTED IN SIDEWALL.

NOTES:

- 265 CODES/STANDARDS-CSA/CMVSS
- 1B1 CODES/STANDARDS USA

1B1 265

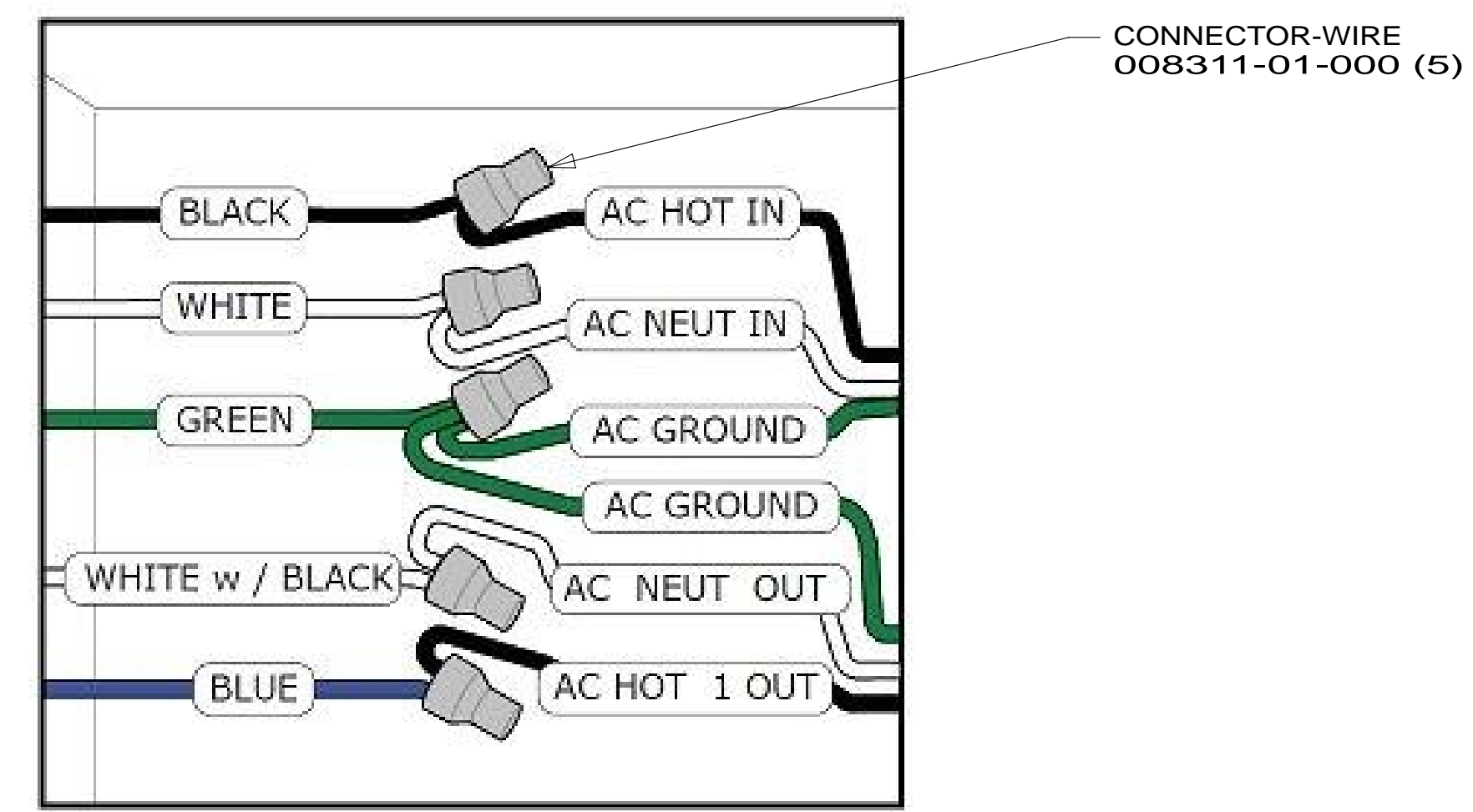
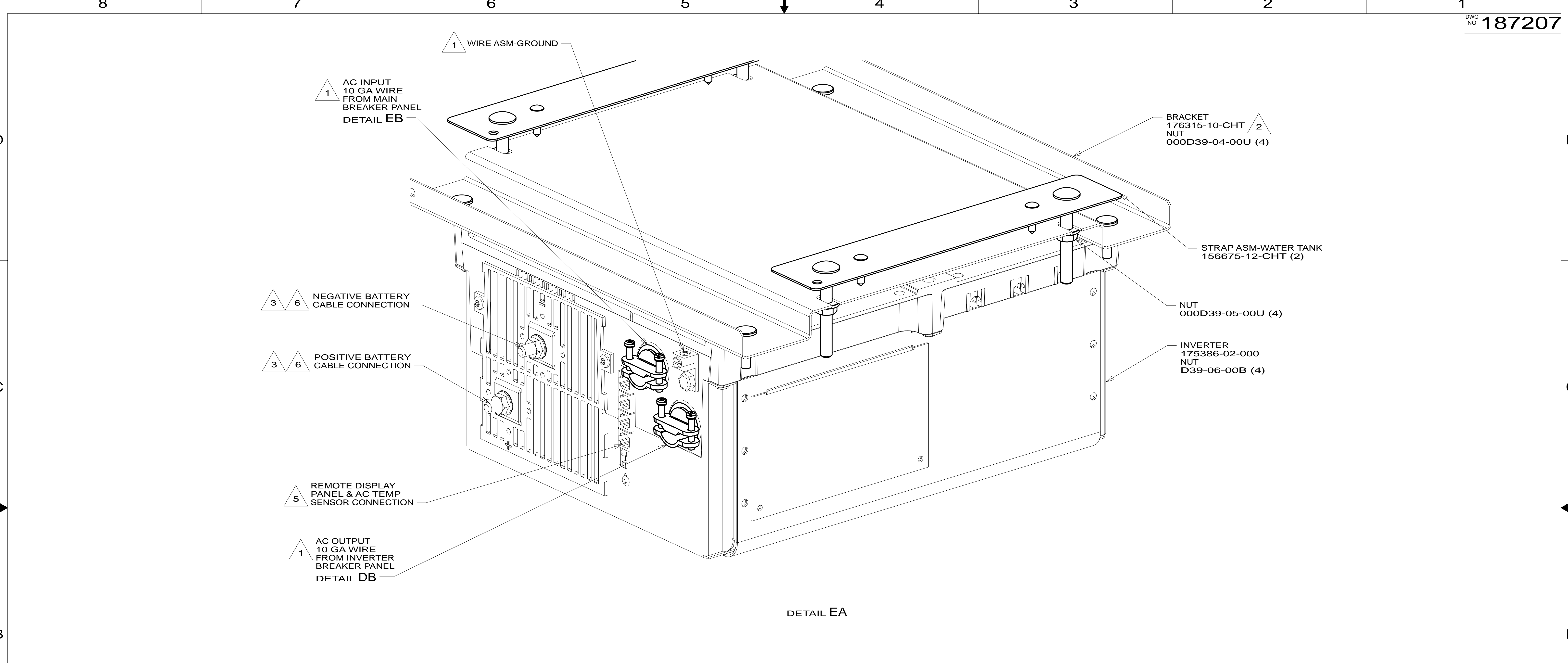
FIRST USED	
<b>14 E36Y</b>	
DO NOT SCALE DRAWING	
TITLE: <b>WIRING INSTL-BODY, 110V</b>	
SHEET 4	PART NO <b>187207</b> REV

FOR ELECTRICAL TORQUE SPECIFICATIONS SEE DWG NO. 128783-01-000

FOR ELECTRICAL CALLOUTS SEE DWG NO. 121339-01-000

\* 187207 \* A





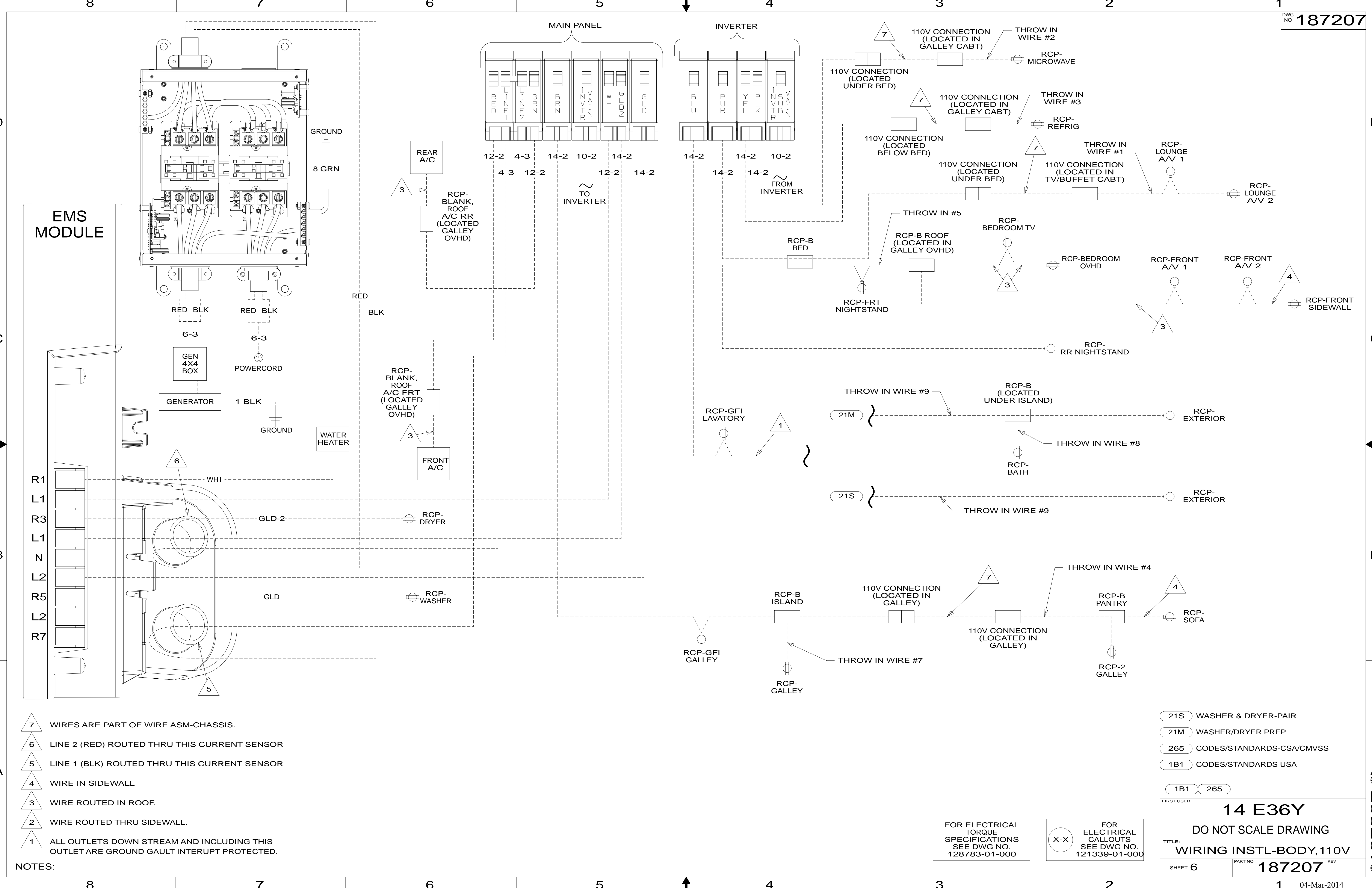
- NOTES:
- 6 DO NOT USE POWER/AIR TOOL TO INSTALL NUT. TORQUE TO 10-12 FT LBS.
  - 5 CABLES PART OF WIRE ASM-COACH.
  - 4 SEE INVERTER/CHARGER OWNER'S MANUAL FOR ADDITIONAL INFORMATION.
  - 3 SEE WIRING INSTL-CHASSIS FOR ADDITIONAL INFORMATION.
  - 2 BRACKET IS LOCATED BY HOLES ON BRACKET.
  - 1 SEE LOAD CENTER/ATS ASM FOR ADDITIONAL INFORMATION.

FOR ELECTRICAL TORQUE SPECIFICATIONS SEE DWG NO. 128783-01-000

FOR ELECTRICAL CALLOUTS SEE DWG NO. 121339-01-000

265	CODES/STANDARDS-CSA/CMVSS
1B1	CODES/STANDARDS USA
1B1	265
FIRST USED	
<b>14 E36Y</b>	
DO NOT SCALE DRAWING	
TITLE: <b>WIRING INSTL-BODY, 110V</b>	
SHEET 5	PART NO <b>187207</b> REV
04-Mar-2014	

\* 187207 \* A



- NOTES:
- 7 WIRES ARE PART OF WIRE ASM-CHASSIS.
  - 6 LINE 2 (RED) ROUTED THRU THIS CURRENT SENSOR
  - 5 LINE 1 (BLK) ROUTED THRU THIS CURRENT SENSOR
  - 4 WIRE IN SIDEWALL
  - 3 WIRE ROUTED IN ROOF.
  - 2 WIRE ROUTED THRU SIDEWALL.
  - 1 ALL OUTLETS DOWN STREAM AND INCLUDING THIS OUTLET ARE GROUND GAULT INTERRUPT PROTECTED.

- 21S WASHER & DRYER-PAIR
- 21M WASHER/DRYER PREP
- 265 CODES/STANDARDS-CSA/CMVSS
- 1B1 CODES/STANDARDS USA

1B1	265
FIRST USED	
<b>14 E36Y</b>	
DO NOT SCALE DRAWING	
TITLE: <b>WIRING INSTL-BODY, 110V</b>	
SHEET 6	PART NO. <b>187207</b> REV
04-Mar-2014	

FOR ELECTRICAL TORQUE SPECIFICATIONS SEE DWG NO. 128783-01-000

FOR ELECTRICAL CALLOUTS SEE DWG NO. 121339-01-000

\* 187207