



**DANGER**

**Danger of electrical shock, burns or death.** Always remove all power sources before attempting any repair, service or diagnostic work. Power can be present from shore power, generator, inverter or battery. All power sources must be disabled and secured before performing any service.

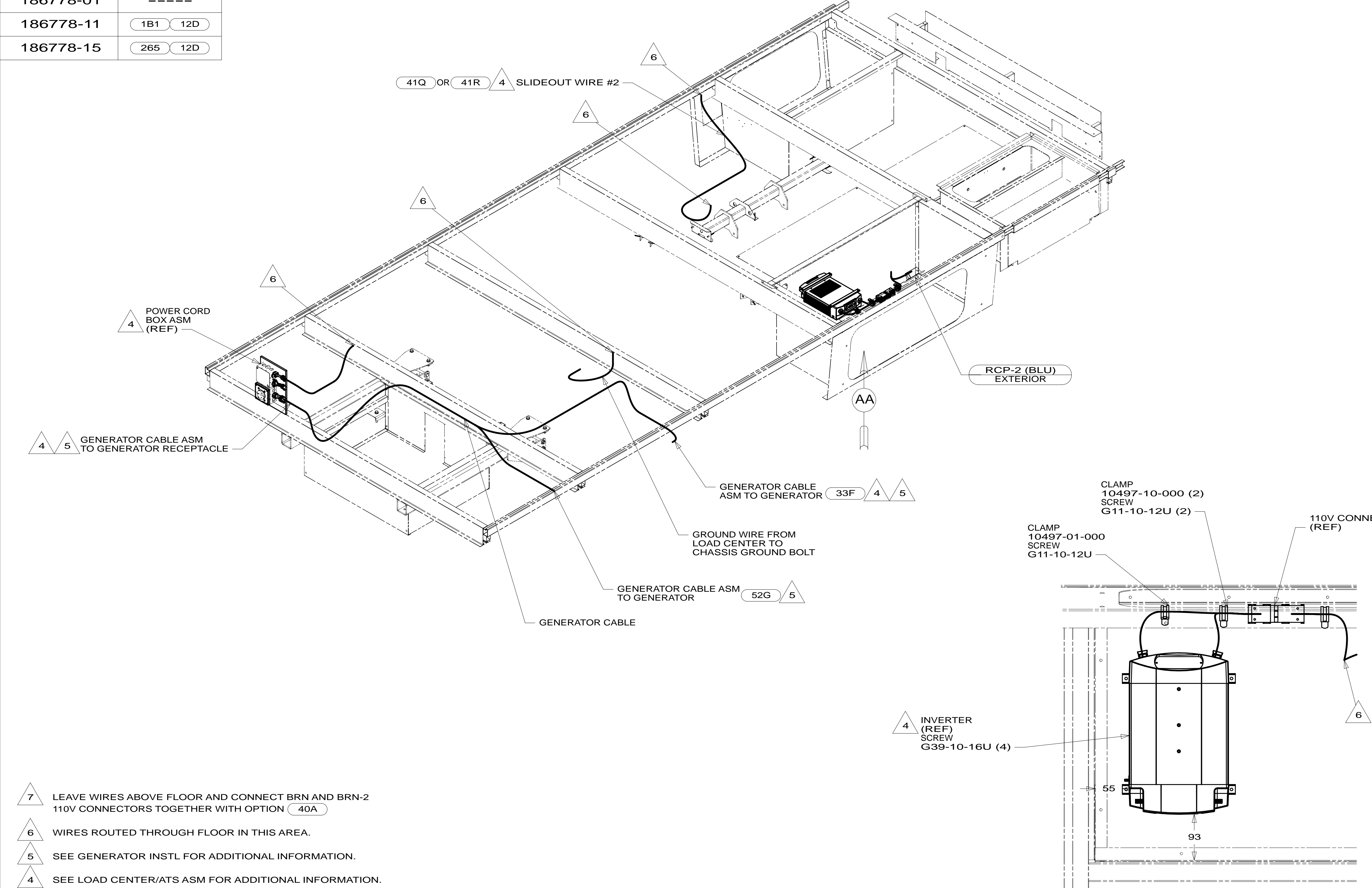


**CAUTION**

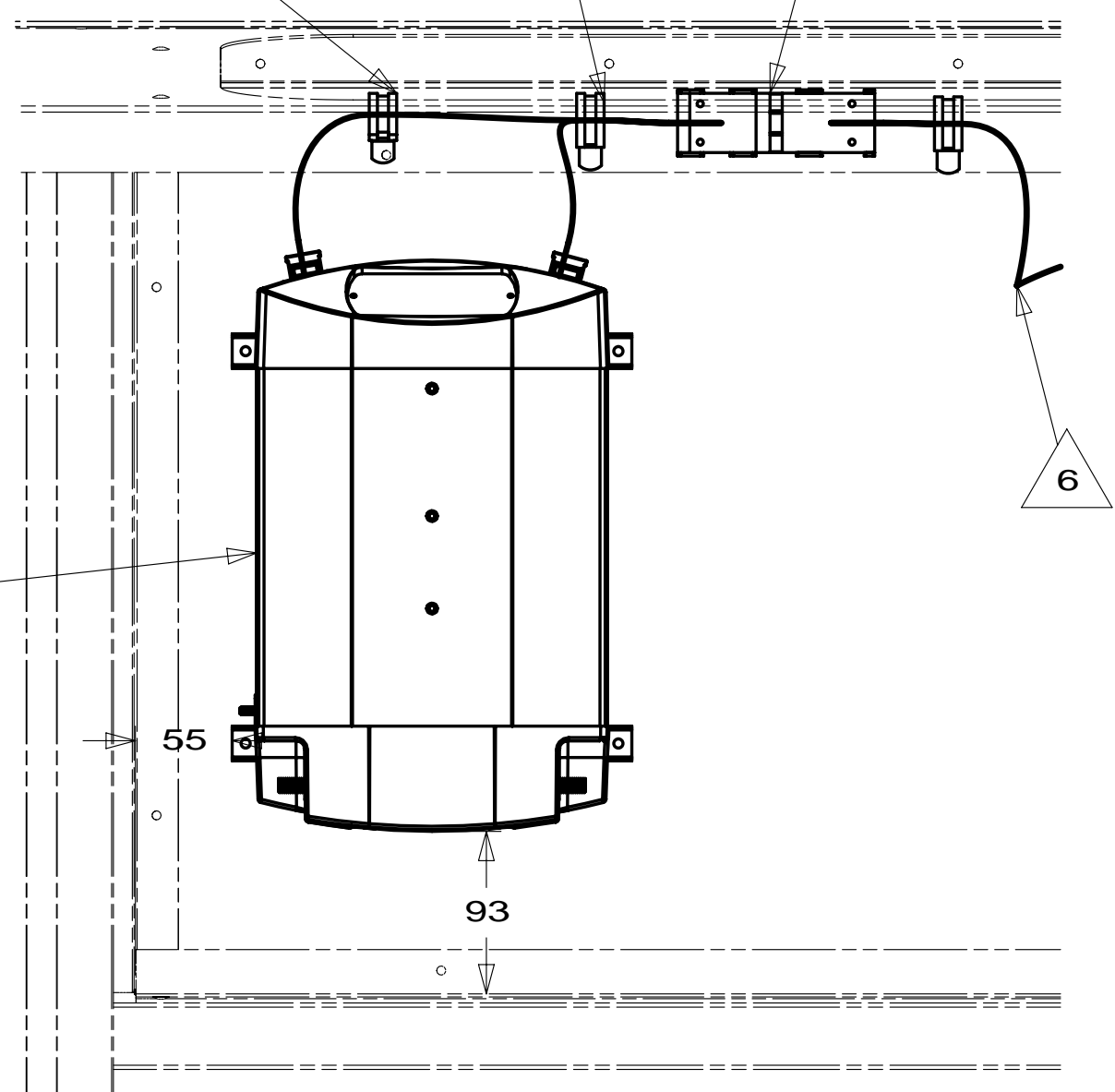
If you lack the skills, tools or equipment to perform diagnostic or repair work leave such work to an authorized Winnebago Industries dealer or other qualified shop.

DRAWING NO.	FEATURE
186778-01	-----
186778-11	1B1 12D
186778-15	265 12D

RELEASE	REV/DATE	DWG NO	186778
REV ZONE	REVISION RECORD	DATE	DTR-ORIG



- 41R SOFA/SLEEPER
- 41Q SOFA/SLEEPER-ULTRALEATHER
- 401 INVERTER-DC/AC, 1000 WATT
- 40A INVERTER-DC/AC WITHOUT
- 52G GEN-3.6KW ONAN LP MICROQUIET
- 33F GEN-3.2 KW ONAN DIESEL
- 12D ELECTRICAL SYSTEM 30 AMP
- 265 CODES/STANDARDS-CSA-CMVSS
- 1B1 CODES/STANDARDS USA



- NOTES:
- 7 LEAVE WIRES ABOVE FLOOR AND CONNECT BRN AND BRN-2 110V CONNECTORS TOGETHER WITH OPTION 40A
  - 6 WIRES ROUTED THROUGH FLOOR IN THIS AREA.
  - 5 SEE GENERATOR INSTL FOR ADDITIONAL INFORMATION.
  - 4 SEE LOAD CENTER/ATS ASM FOR ADDITIONAL INFORMATION.
3. ALL GROUND WIRES TO BE COVERED WITH TUBING 8041-02-000.
  2. ALL 110V WIRE ARE TO BE CLAMPED WITH CLAMP 10497-05-000 WITHIN 200MM OF OUTLET BOXES, USE SCREW G67-10-12U.
  1. ALL WIRES TO BE SECURED WITH CLAMP 10495-01-000 OR CLIP 80734-01-000 EVERY 600MM. USE SCREW G67-10-12U UNLESS OTHERWISE SPECIFIED.

FOR ELECTRICAL TORQUE SPECIFICATIONS SEE DWG NO. 128783-01-000

FOR ELECTRICAL CALLOUTS SEE DWG NO. 121339-01-000

**WINNEBAGO** COPYRIGHT 2013 WINNEBAGO INDUSTRIES, INC.

DTR	ORIG. DATE
CHKR	ALL DIMENSIONS ARE IN MILLIMETERS
P.E.	FIRST USED
M.E.	14 524V
DSNR	

UNSPECIFIED TOLERANCES ARE:

WHOLE DIM (X)	: 3
ONE-PLACE (X.X)	: 1.5
TWO-PLACE (X.XX)	: 0.50
ANGLE	: 1°

THIRD ANGLE PROJECTION

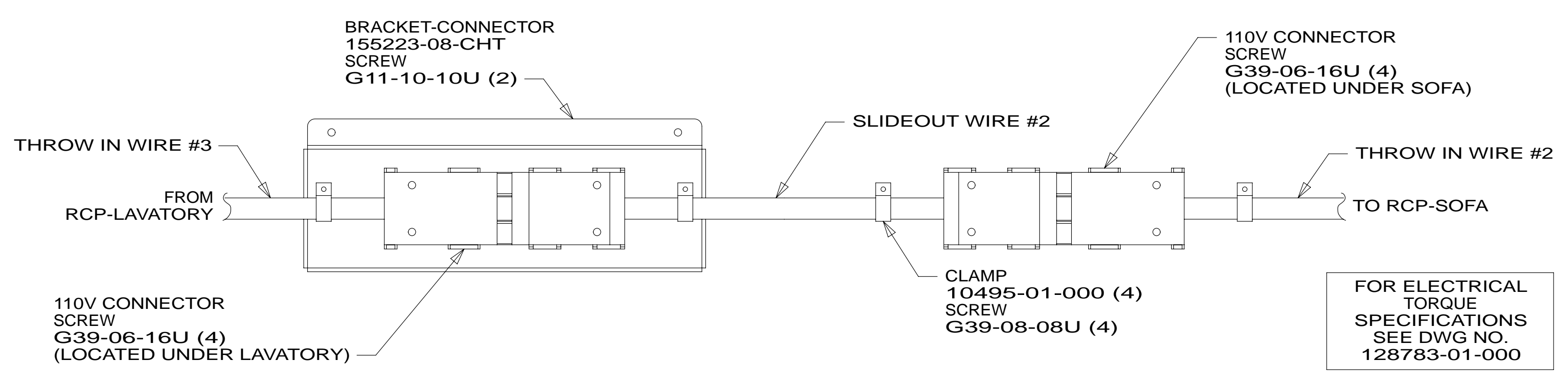
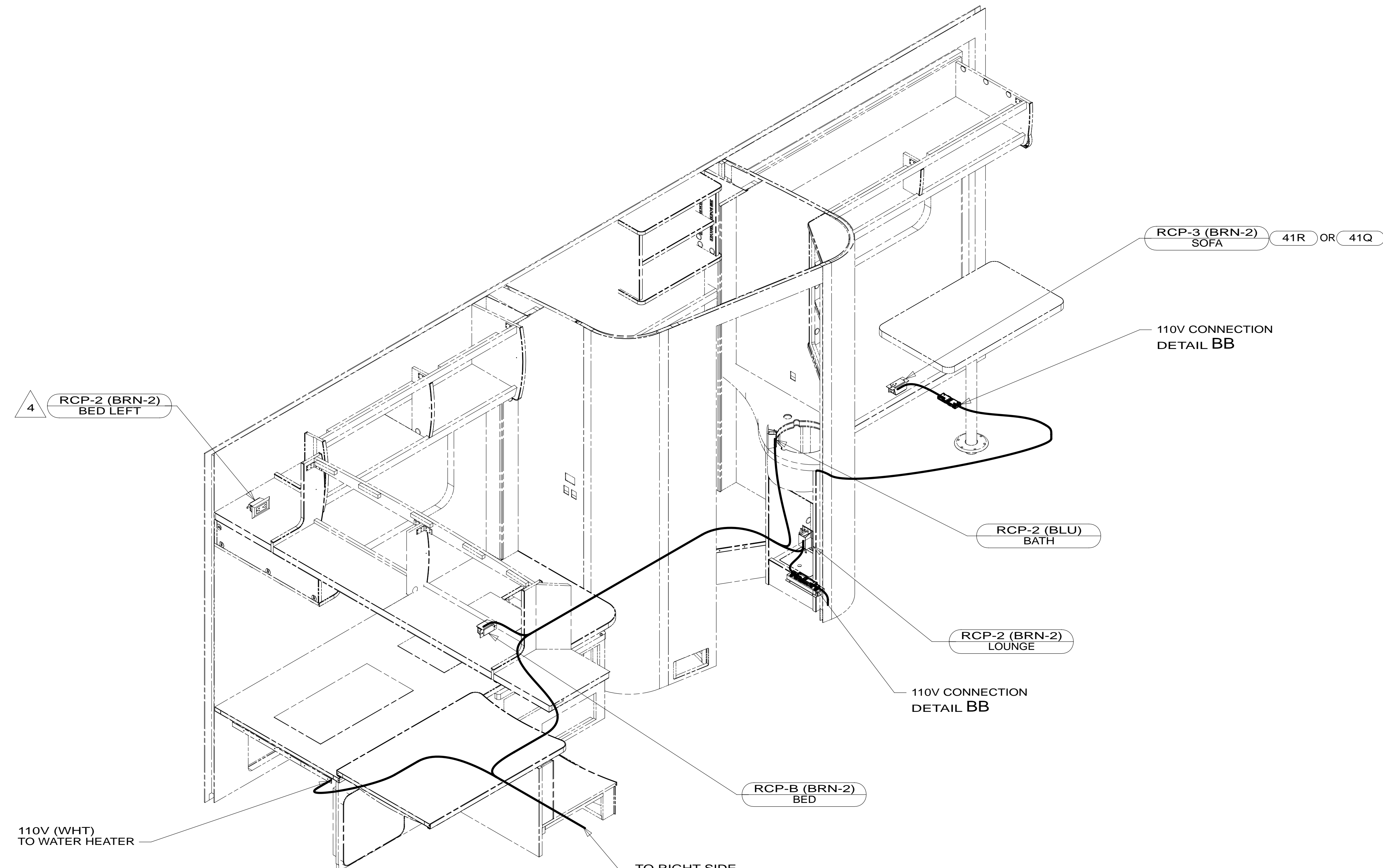
DO NOT SCALE DRAWING REFER TO ES0018 FOR FASTENER TIGHTENING GUIDELINES

TITLE: **WIRING INSTL-BODY,110V**

SHEET 1 OF 4 PART NO. 186778 REV

REF: 1 12-Sep-2013

\* 186778 \*



- NOTES:
1. ALL WIRES TO BE SECURED WITH CLAMP 10495-01-000 OR CLIP 80734-01-000 EVERY 600MM. USE SCREW G67-10-12U UNLESS OTHERWISE SPECIFIED.
  2. ALL WIRING TO BE SECURED WITHIN 200MM OF OUTLET BOXES.
  3. ALL GROUND WIRES TO BE COVERED WITH TUBING 8041-02-000.

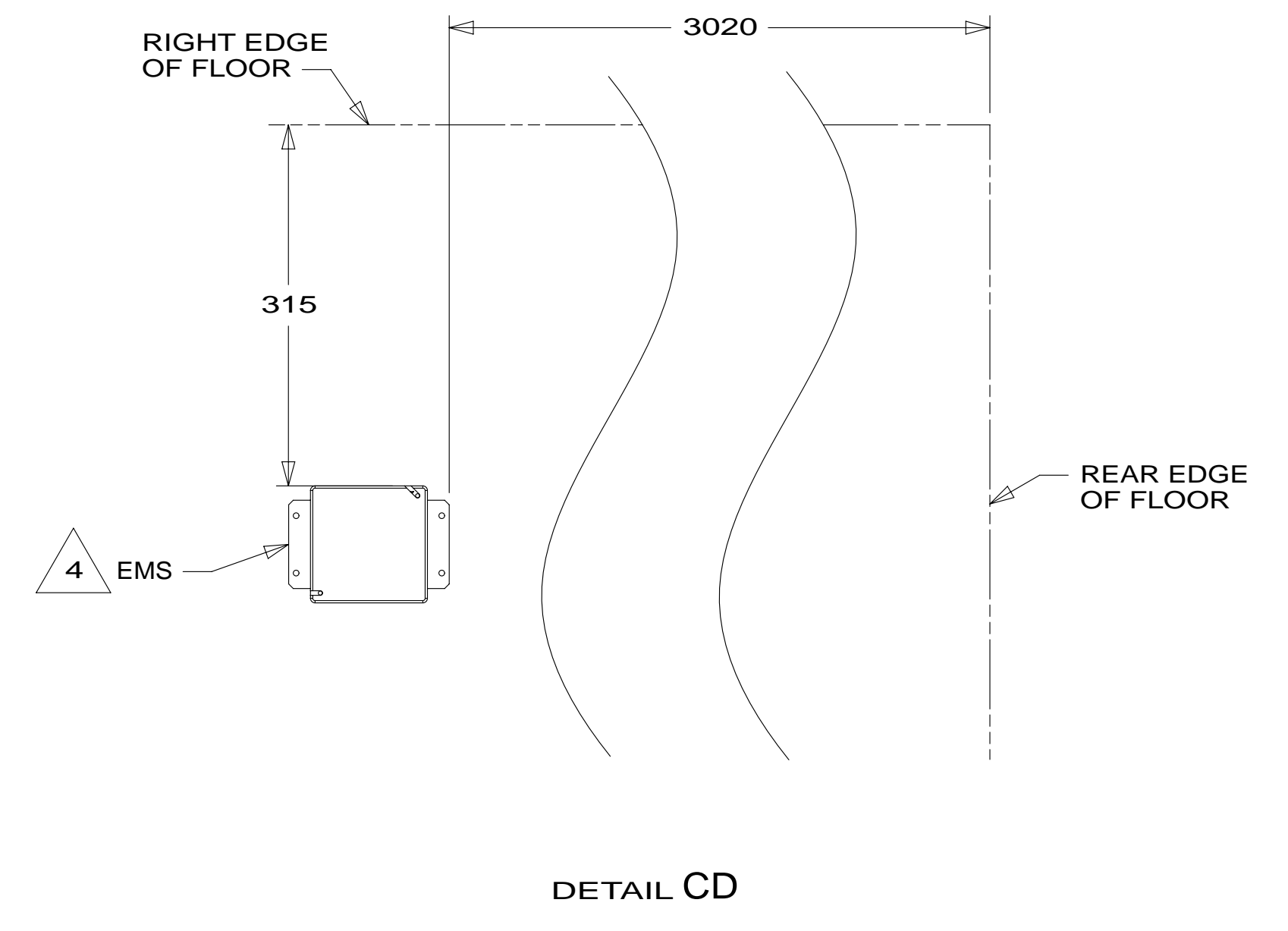
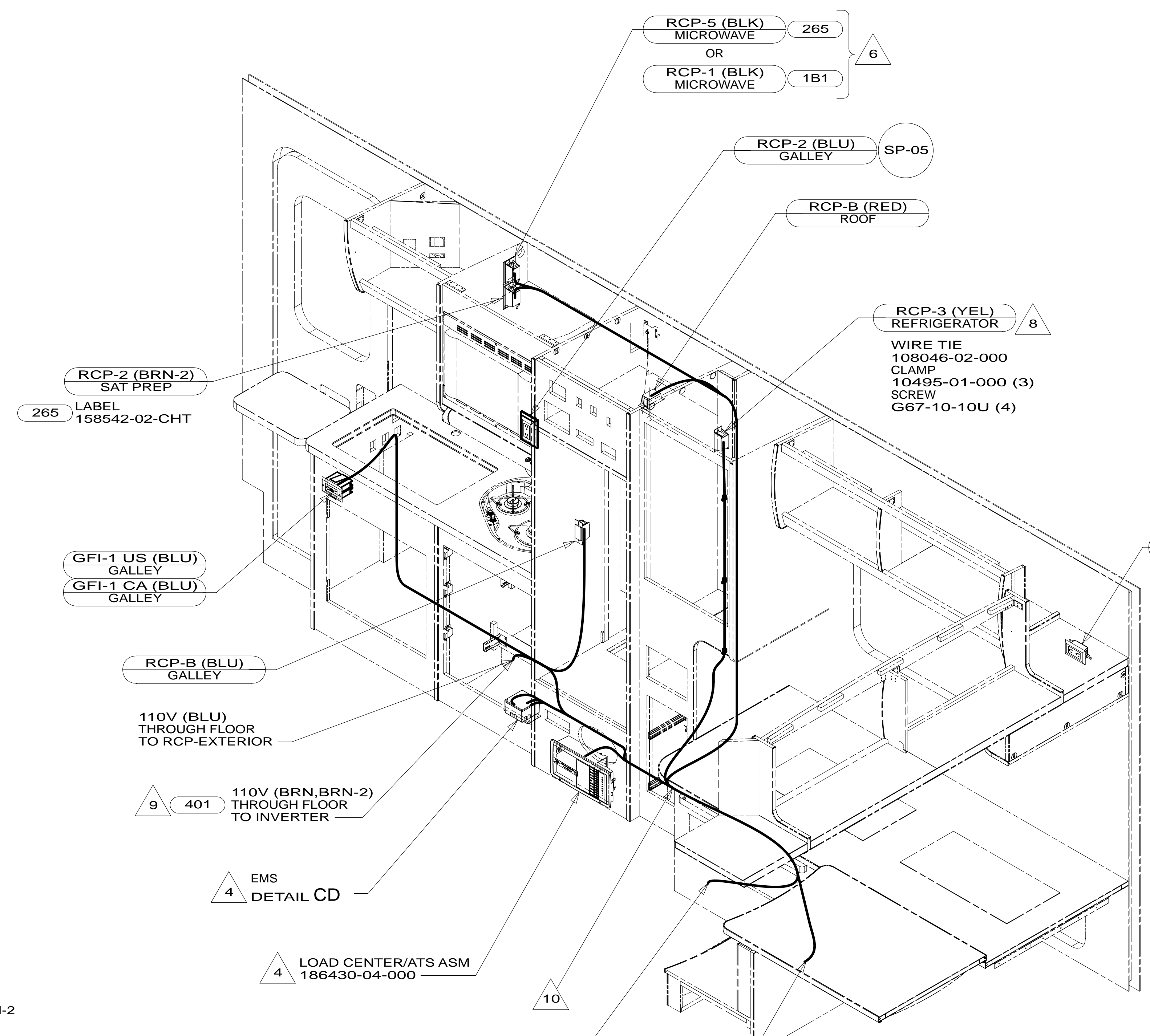
- 41R SOFA/SLEEPER
- 41Q SOFA/SLEEPER-ULTRALEATHER
- 12D ELECTRICAL SYSTEM 30 AMP
- 265 CODES/STANDARDS-CSA/CMVSS
- 1B1 CODES/STANDARDS USA

FIRST USED		<b>14 524V</b>	
<b>DO NOT SCALE DRAWING</b>			
<b>TITLE: WIRING INSTL-BODY, 110V</b>			
SHEET 2	PART NO	<b>186778</b>	REV

FOR ELECTRICAL TORQUE SPECIFICATIONS SEE DWG NO. 128783-01-000

FOR ELECTRICAL CALLOUTS SEE DWG NO. 121339-01-000

\* 186778 \* A



- NOTES:
- 10 (BRN-2) 6700 DROP AND (BLU) 7000 DROP TO LEFT SIDE.
  - 9 LEAVE WIRES ABOVE FLOOR AND CONNECT BRN AND BRN-2 110V CONNECTORS TOGETHER WITH OPTION (40A)
  - 8 LOCATE REFRIGERATOR RCP SO THAT RCP IS ACCESSIBLE FROM REFRIGERATOR VENT AND AWAY FROM REFRIGERATOR COILS. SECURE REFRIGERATOR POWER CORD AWAY FROM COILS USING WIRE TIE.
  - 7 SEE WIRING INSTL-TV/DVD FOR ADDITIONAL INFORMATION.
  - 6 WIRE ROUTED IN SIDEWALL.
  - 5 WIRE ROUTED IN ROOF.
  - 4 SEE LOAD CENTER/ATS ASM FOR MORE INFORMATION.
  - 3. ALL GROUND WIRES TO BE COVERED WITH TUBING 8041-02-000.
  - 2. ALL WIRING TO BE SECURED WITHIN 200MM OF OUTLET BOXES.
  - 1. ALL WIRES TO BE CLAMPED WITH CLAMP 10495-01-000 OR CLIP 80734-01-000 EVERY 1200MM. USE SCREW G67-10-12U UNLESS OTHERWISE SPECIFIED.

(4) LOAD CENTER/ATS ASM 186430-04-000

LOAD CENTER GROUND CABLE TO GROUND BOLT ON FRAME RAIL

WIRE ASM-110V TO LEFT SIDE

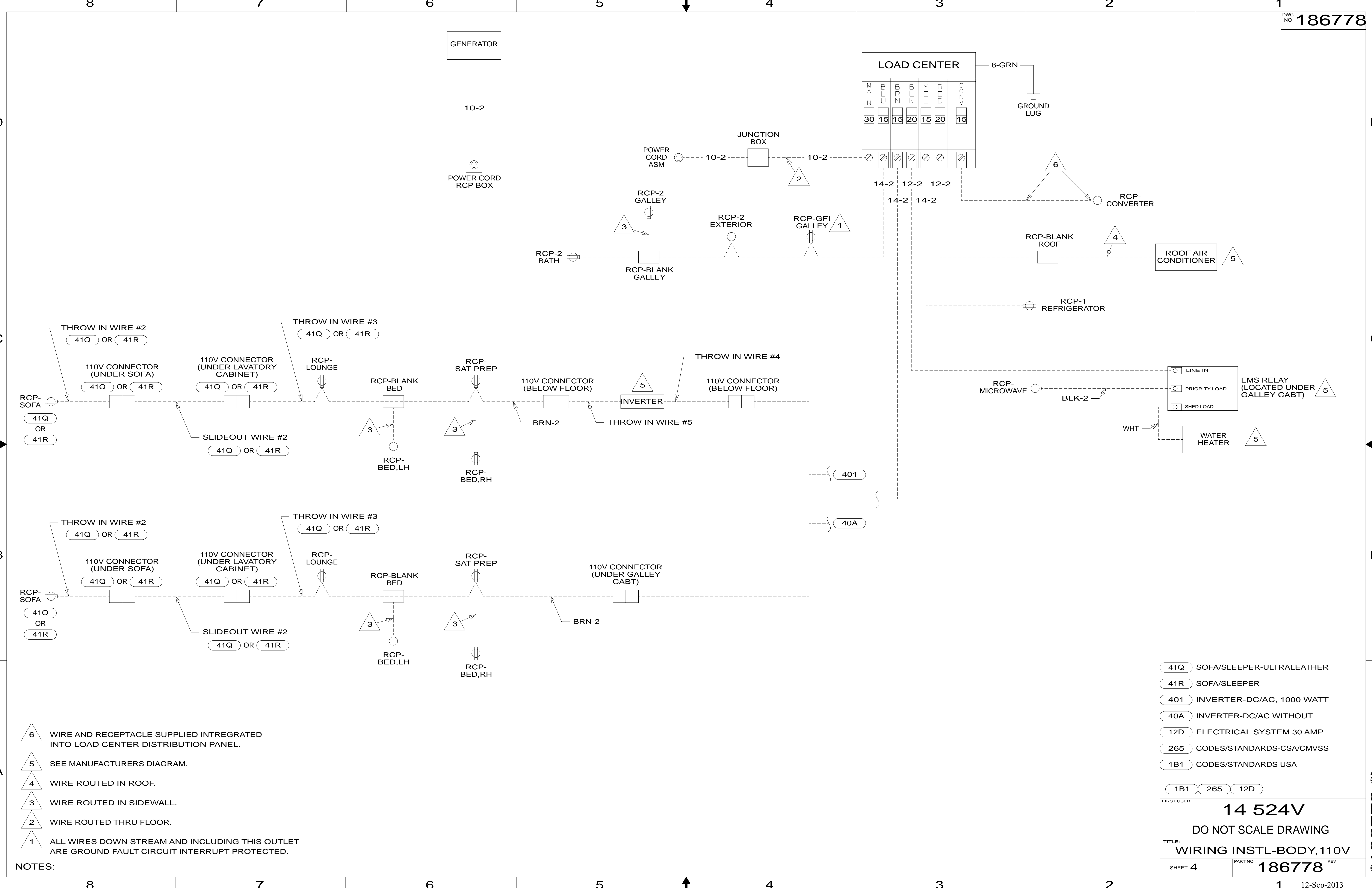
- (1MQ) TV(REAR)19" DC LCD STEREO
- (401) INVERTER-DC/AC, 1000 WATT
- (40A) INVERTER-DC/AC WITHOUT
- (12D) ELECTRICAL SYSTEM 30 AMP
- (265) CODES/STANDARDS-CSA/CMVSS
- (1B1) CODES/STANDARDS USA

FIRST USED		14 524V	
DO NOT SCALE DRAWING			
TITLE: WIRING INSTL-BODY, 110V			
SHEET 3	PART NO	186778	REV

FOR ELECTRICAL TORQUE SPECIFICATIONS SEE DWG NO. 128783-01-000

FOR ELECTRICAL CALLOUTS SEE DWG NO. 121339-01-000

\* 186778 \*



- NOTES:
- 6 WIRE AND RECEPTACLE SUPPLIED INTREGATED INTO LOAD CENTER DISTRIBUTION PANEL.
  - 5 SEE MANUFACTURERS DIAGRAM.
  - 4 WIRE ROUTED IN ROOF.
  - 3 WIRE ROUTED IN SIDEWALL.
  - 2 WIRE ROUTED THRU FLOOR.
  - 1 ALL WIRES DOWN STREAM AND INCLUDING THIS OUTLET ARE GROUND FAULT CIRCUIT INTERRUPT PROTECTED.

- 41Q SOFA/SLEEPER-ULTRALEATHER
- 41R SOFA/SLEEPER
- 401 INVERTER-DC/AC, 1000 WATT
- 40A INVERTER-DC/AC WITHOUT
- 12D ELECTRICAL SYSTEM 30 AMP
- 265 CODES/STANDARDS-CSA/CMVSS
- 1B1 CODES/STANDARDS USA

FIRST USED		14 524V	
DO NOT SCALE DRAWING			
TITLE: WIRING INSTL-BODY, 110V			
SHEET 4	PART NO	186778	REV
		1	12-Sep-2013

\* 186778 \* A