



**DANGER**

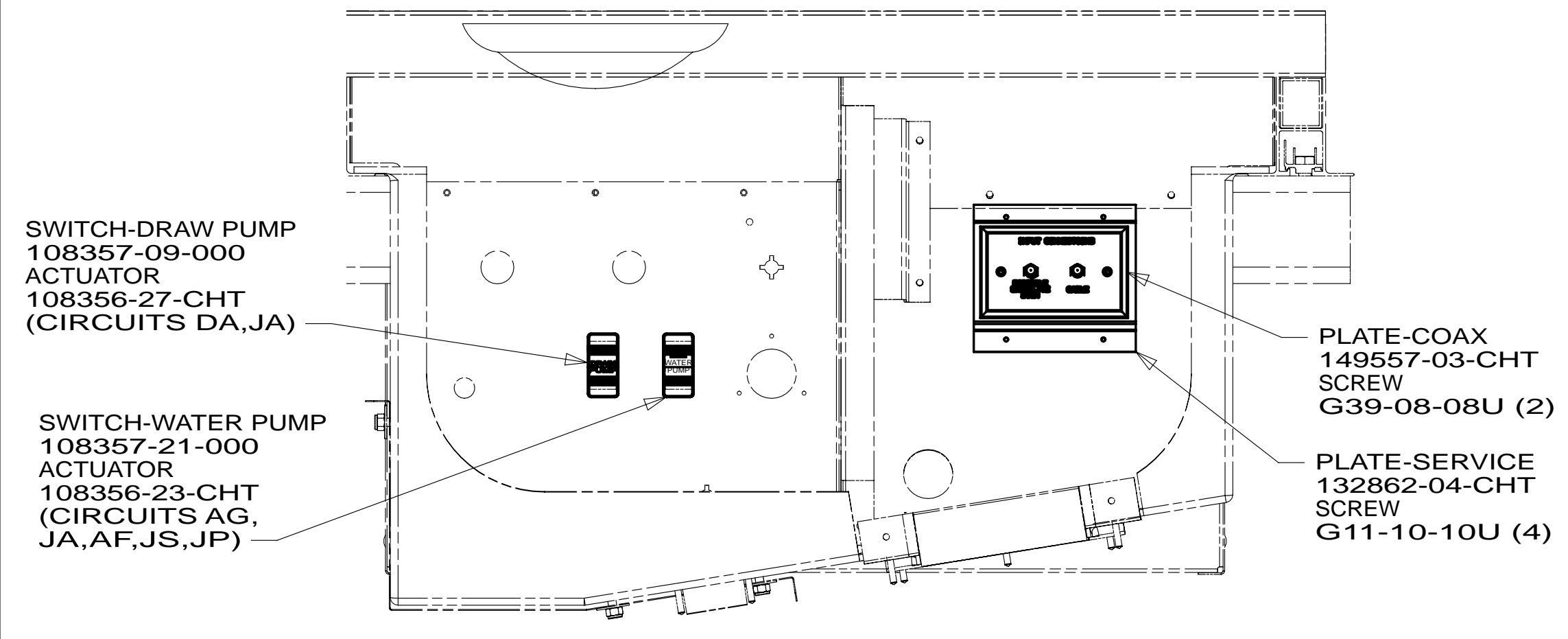
**Danger of electrical shock, burns or death.** Always remove all power sources before attempting any repair, service or diagnostic work. Power can be present from shore power, generator, inverter or battery. All power sources must be disabled and secured before performing any service.



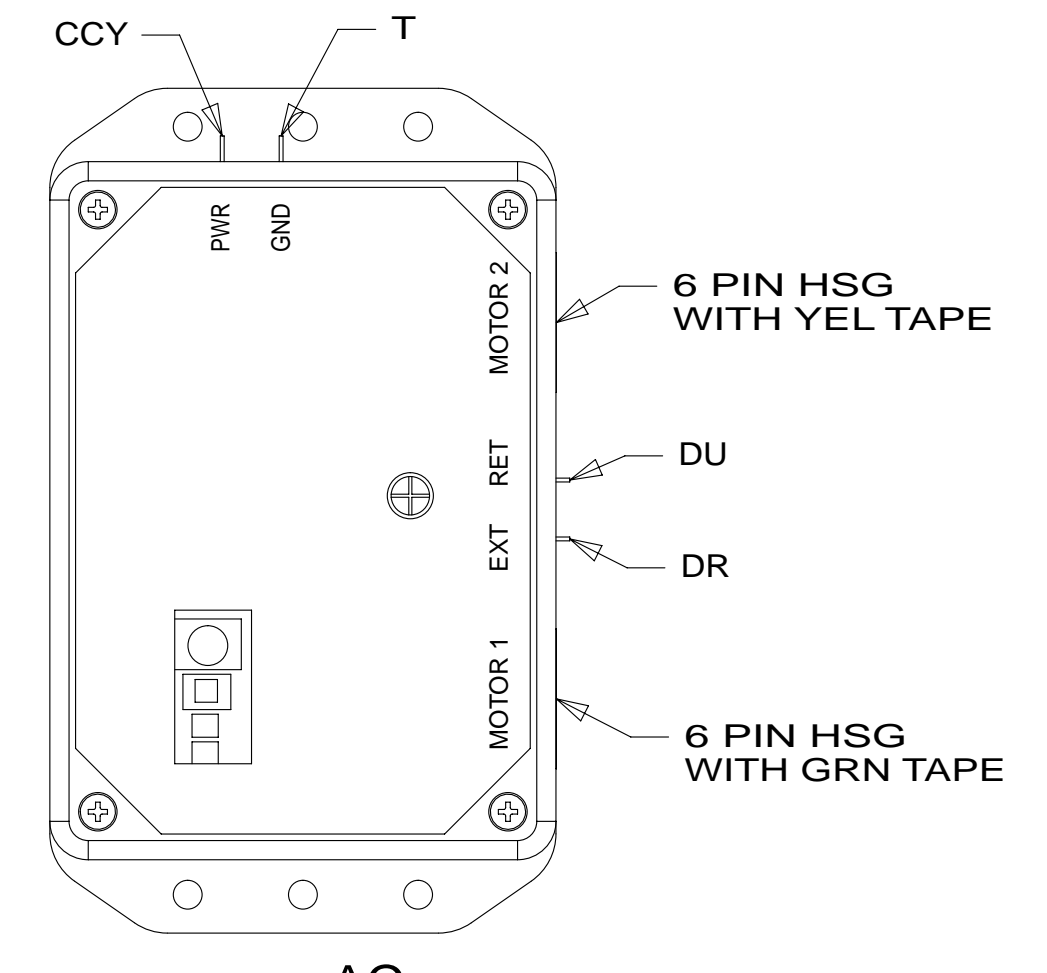
**CAUTION**

If you lack the skills, tools or equipment to perform diagnostic or repair work leave such work to an authorized Winnebago Industries dealer or other qualified shop.

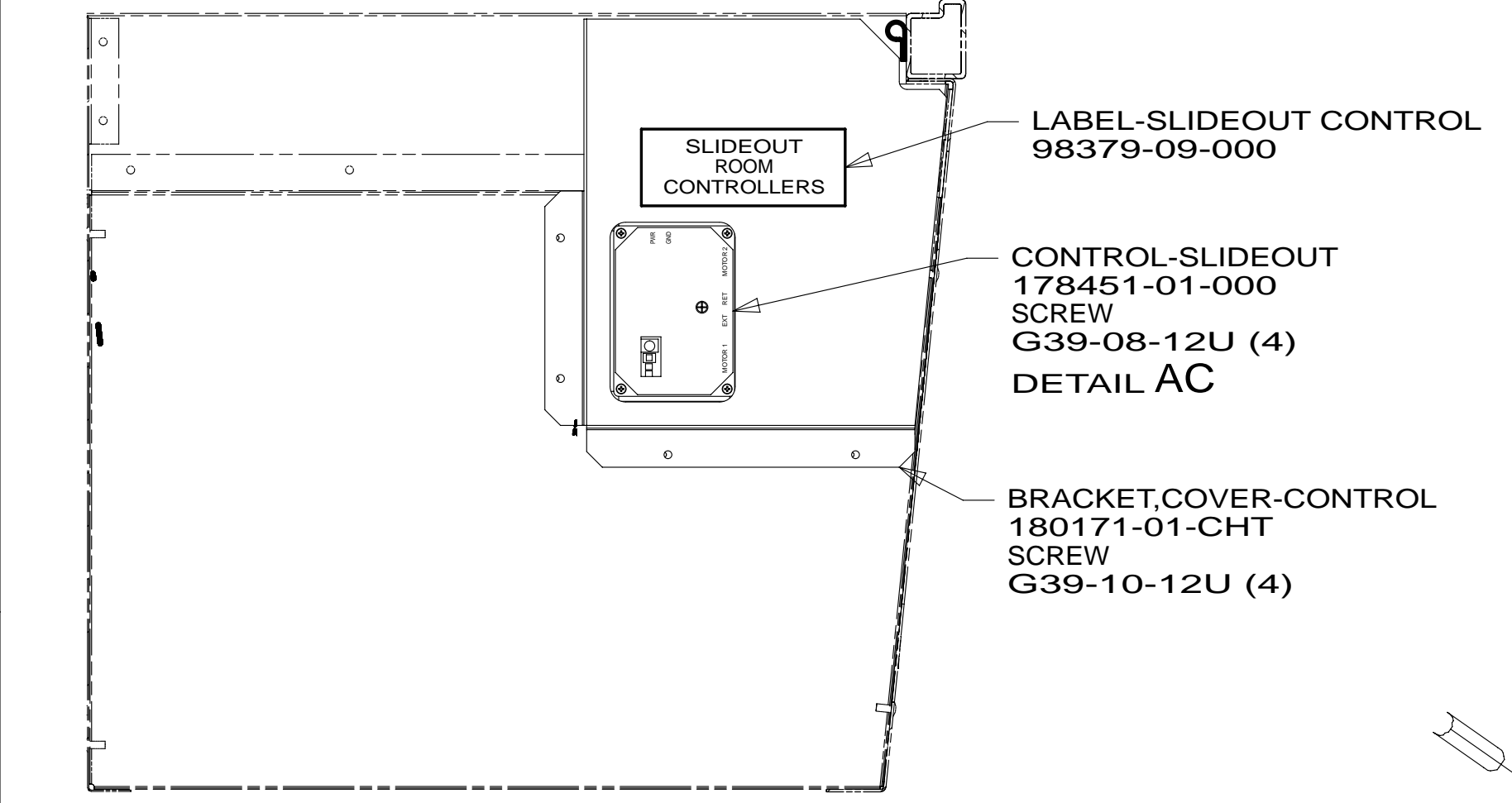
8 7 6 5 4 3 2 1



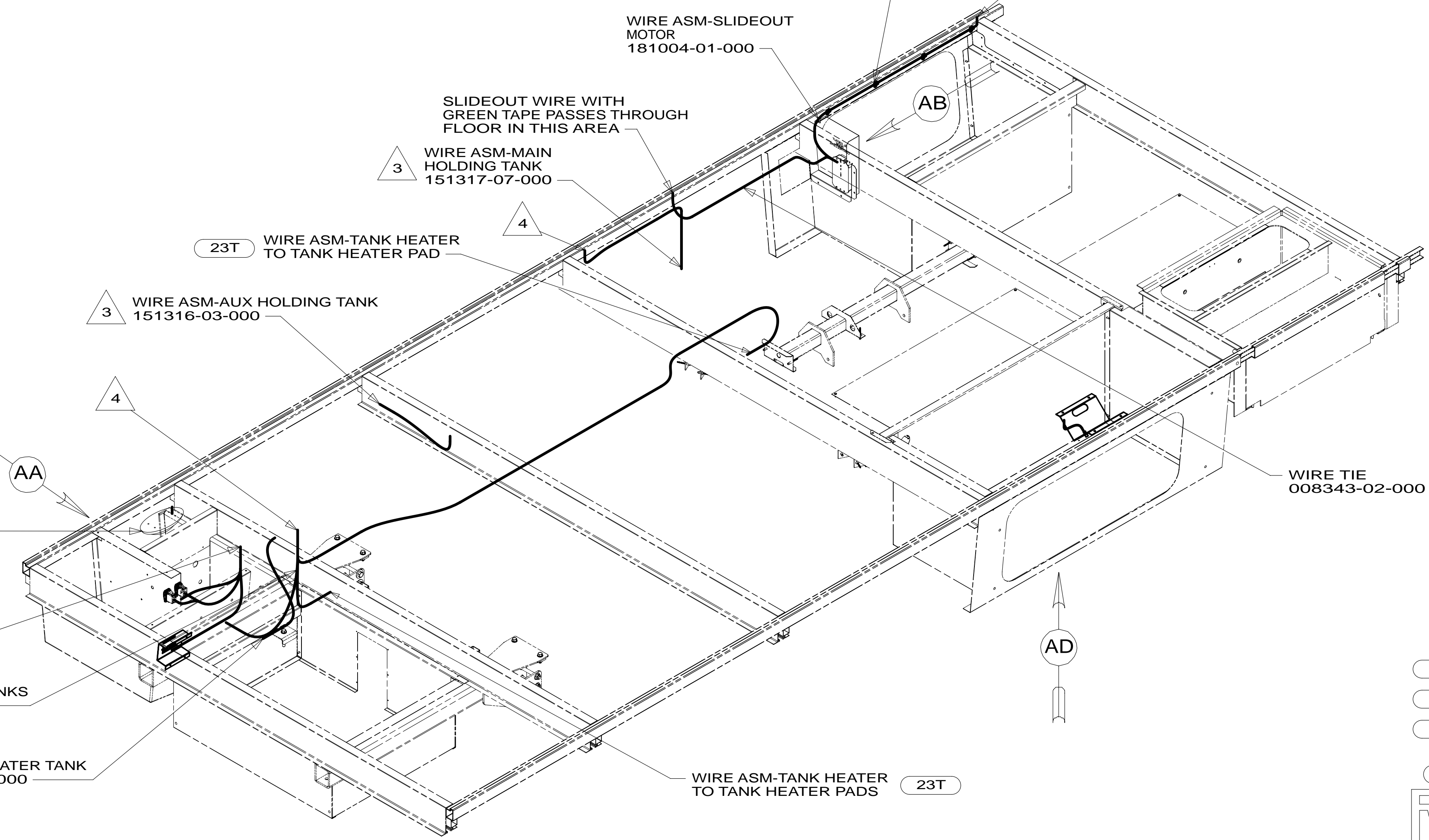
VIEW AA



VIEW AC



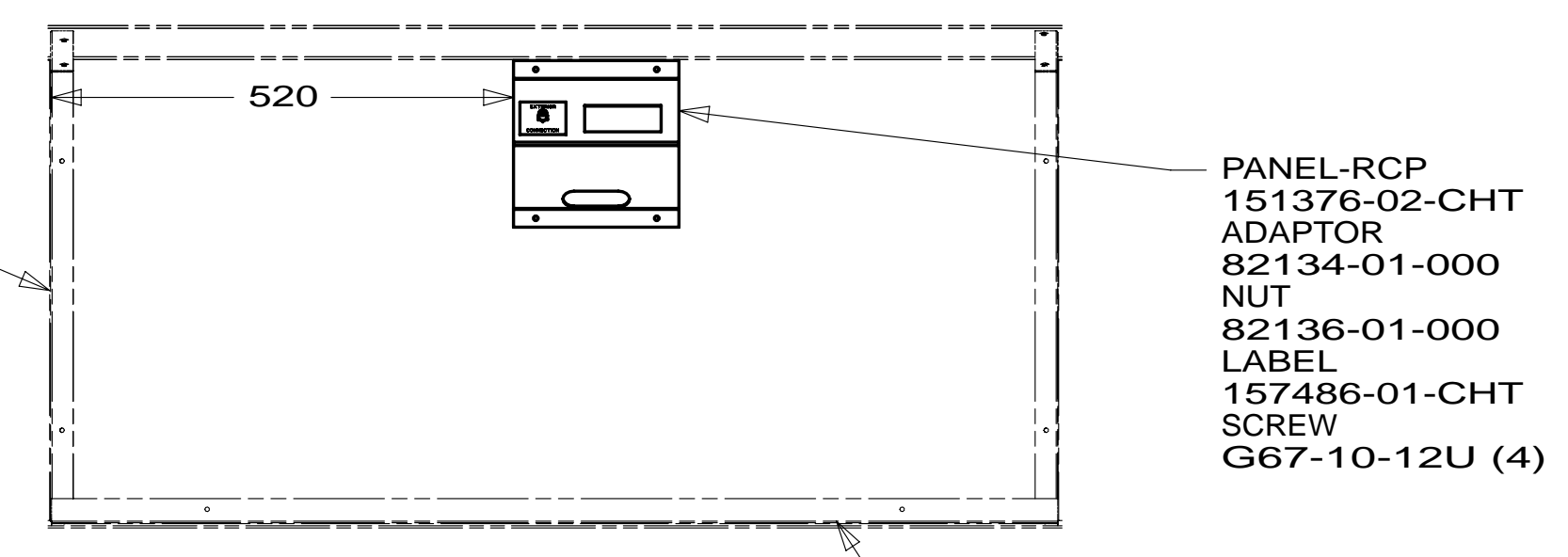
VIEW AB



- 6 SECURE WIRE ASM TO HOLDING TANK CRADLE ASM.
- 5 REMOVE BULB SUPPLIED WITH LAMP, SEND BULB TO STOCK AS PART NUMBER 117805-02-000,REPLACE WITH LED BULB.
- 4 WIRE PASSES THROUGH FLOOR IN THIS AREA.
- 3 PLACE CROSS LOCATOR ON SENSORS OVER DIMPLES ON TANK.

2. ROUTE TANK SENSOR WIRES SO THEY DO NOT PASSOVER SENSORS. USE WIRE TIE MOUNT 155366-01-000 AND WIRE TIE 8343-01-000 AS NEEDED. TANK SURFACE MUST BE CLEANED USING ISOPROPYL ALCOHOL AND PRIMED WITH PRIMER 94.
1. ALL WIRES TO BE SECURED WITH CLAMP 10495 OR 10497 OR WIRE TIE 8343 OR 108046 EVERY 600MM, USE SCREW G67-XX-XXX OR G56-XX-XXX AS APPROPRIATE FOR INSTALLATION.

NOTES:



VIEW AD

FOR ELECTRICAL TORQUE SPECIFICATIONS SEE DWG NO. 128783-01-000

FOR ELECTRICAL CALLOUTS SEE DWG NO. 121339-01-000

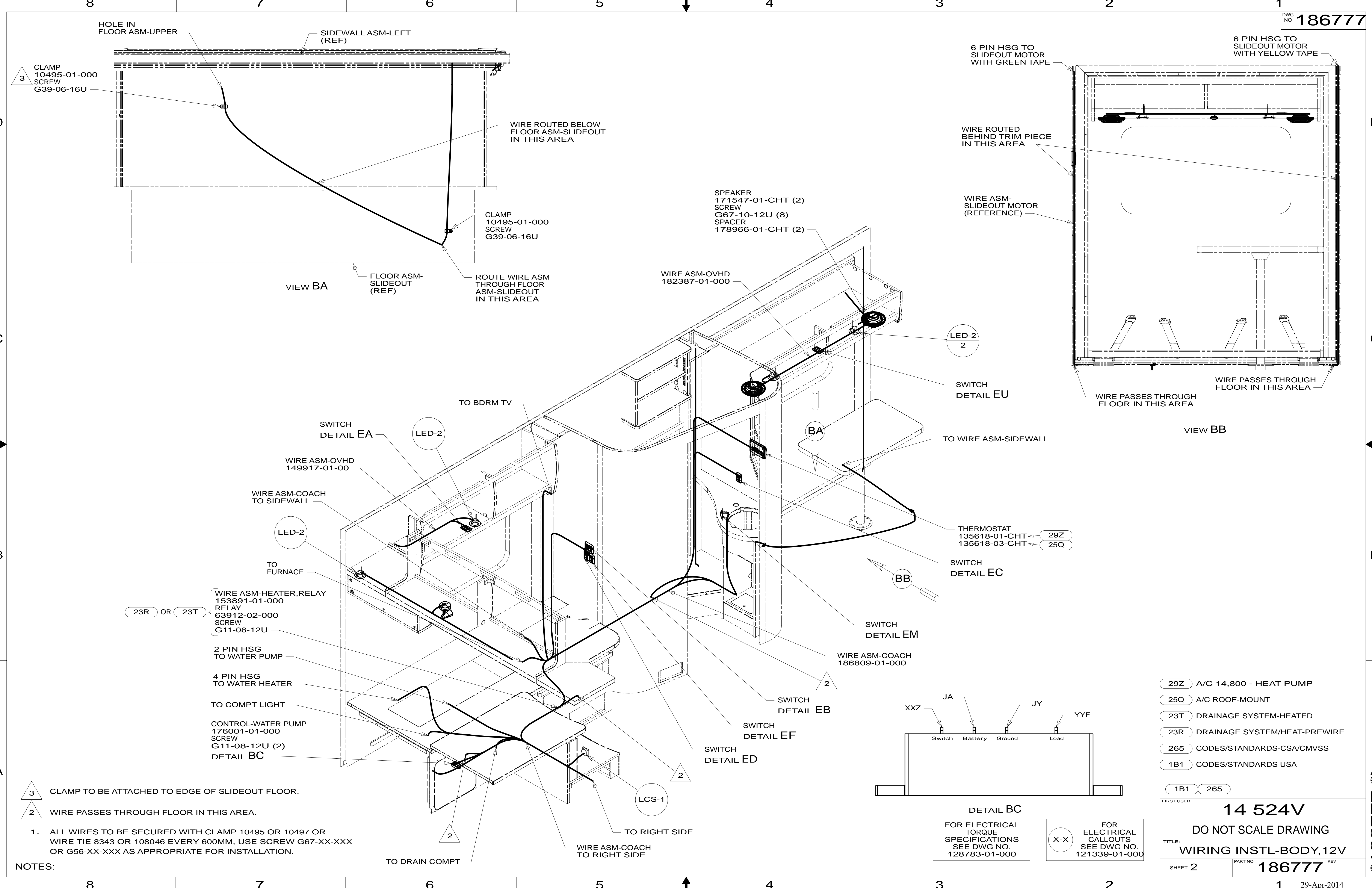
- 23T DRAINAGE SYSTEM-HEATED
- 265 CODES/STANDARDS-CSA/CMVSS
- 1B1 CODES/STANDARDS USA

1B1 265

		COPYRIGHT 2014 WINNEBAGO INDUSTRIES, INC.	
DTR	ORIG. DATE	ALL DIMENSIONS ARE IN MILLIMETERS	
CHKR		FIRST USED	
P.E.		14 524V	
M.E.		UNSPECIFIED TOLERANCES ARE:	
DSNR		WHOLE DIM (X) : 3 ONE-PLACE (X.X) : 1.5 TWO-PLACE (X.XX) : 0.50 ANGLE : 1'	
DO NOT SCALE DRAWING		REFER TO ES0018 FOR FASTENER TIGHTENING GUIDELINES	
TITLE: WIRING INSTL-BODY,12V			
SHEET 1 OF 6		PART NO 186777	
REF: 1		29-Apr-2014	

8 7 6 5 4 3 2 1

\* 186777 \*



- 3 CLAMP TO BE ATTACHED TO EDGE OF SLIDEOUT FLOOR.
- 2 WIRE PASSES THROUGH FLOOR IN THIS AREA.
1. ALL WIRES TO BE SECURED WITH CLAMP 10495 OR 10497 OR WIRE TIE 8343 OR 108046 EVERY 600MM, USE SCREW G67-XX-XXX OR G56-XX-XXX AS APPROPRIATE FOR INSTALLATION.

NOTES:

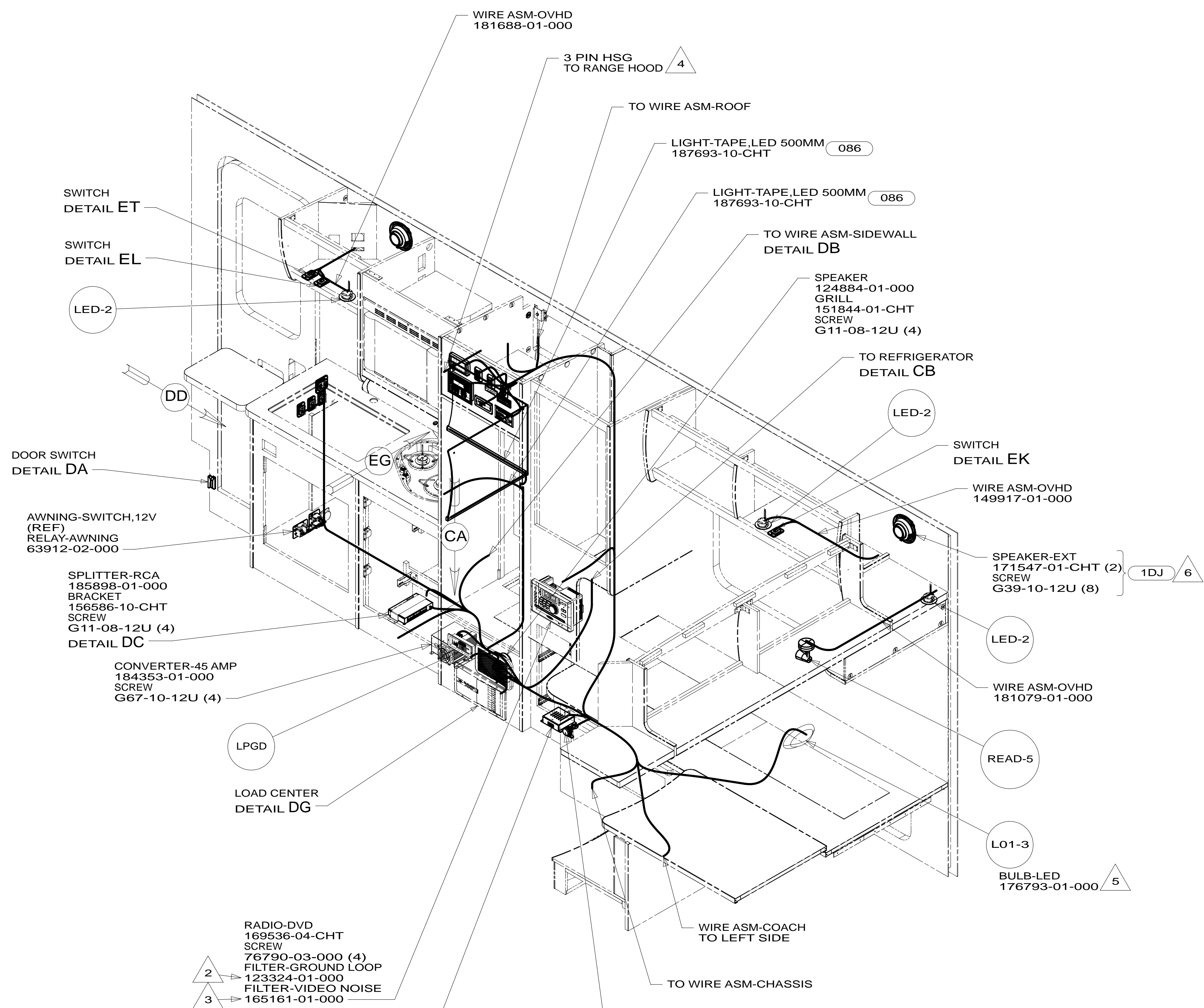
- 29Z A/C 14,800 - HEAT PUMP
- 25Q A/C ROOF-MOUNT
- 23T DRAINAGE SYSTEM-HEATED
- 23R DRAINAGE SYSTEM/HEAT-PREWIRE
- 265 CODES/STANDARDS-CSA/CMVSS
- 1B1 CODES/STANDARDS USA

FIRST USED	<b>14 524V</b>	
<b>DO NOT SCALE DRAWING</b>		
<b>TITLE: WIRING INSTL-BODY, 12V</b>		
SHEET 2	PART NO <b>186777</b>	REV
		29-Apr-2014

**DETAIL BC**

FOR ELECTRICAL TORQUE SPECIFICATIONS SEE DWG NO. 128783-01-000	X-X FOR ELECTRICAL CALLOUTS SEE DWG NO. 121339-01-000
--	--

\* 186777 \*



- 6 MOUNTED ON EXTERIOR SURFACE OF SIDEWALL.
- 5 REMOVE BULB SUPPLIED WITH LAMP, SEND TO STOCK AS PART NUMBER 117805-02-000, REPLACE WITH LED BULB.
- 4 CIRCUITS ARE PART OF WIRE ASM-SIDEWALL.
- 3 CONNECT IN-LINE WITH RED AND WHITE AUDIO CABLES. WRAP BOTH ENDS WITH TAPE 8363-01-000 TO SECURE TO WIRE ASM.
- 2 CONNECT IN-LINE WITH YELLOW VIDEO CABLE. WRAP BOTH ENDS WITH TAPE 8363-01-000 TO SECURE TO WIRE ASM.

1. ALL WIRES TO BE SECURED WITH CLAMP 10495 OR 10497 OR WIRE TIE 8343 OR 108046 EVERY 600MM, USE SCREW G67-XX-XXX OR G56-XX-XXX AS APPROPRIATE FOR INSTALLATION.

NOTES:

- 086 INTERIOR UPGRADE PACKAGE
- 1DJ EXTERIOR SPEAKER SYSTEM
- 265 CODES/STANDARDS-CSA/CMVSS
- 1B1 CODES/STANDARDS USA

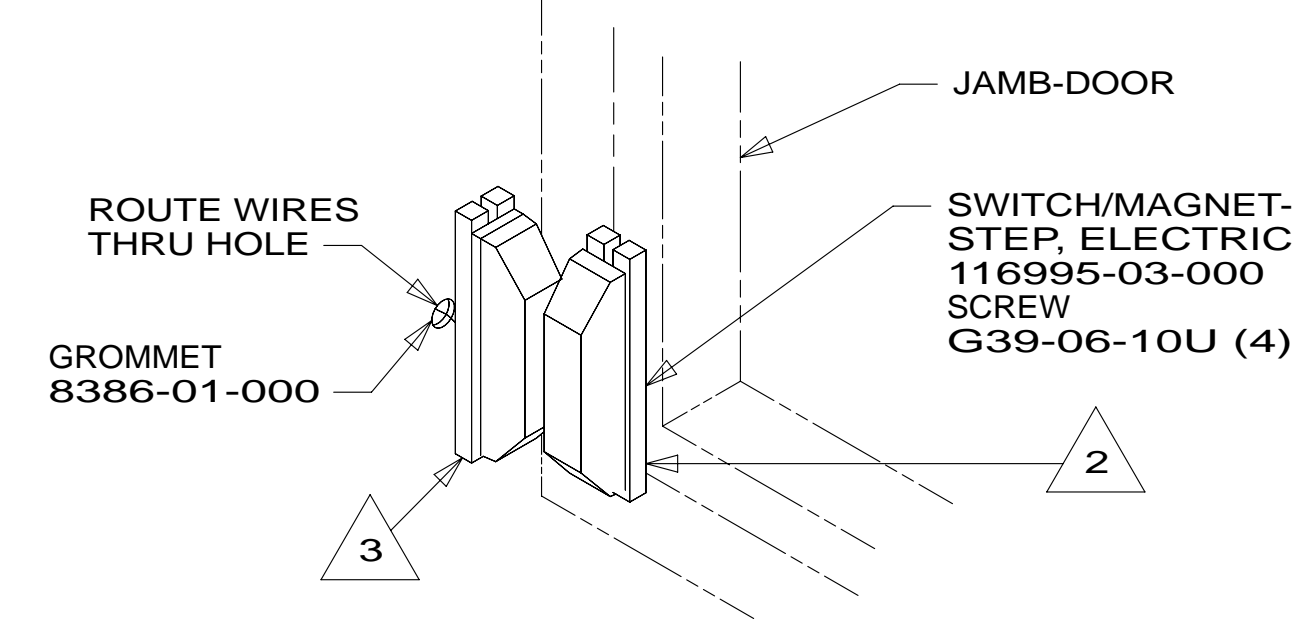
FIRST USED	<b>14 524V</b>	
<b>DO NOT SCALE DRAWING</b>		
<b>TITLE: WIRING INSTL-BODY, 12V</b>		
SHEET 3	PART NO <b>186777</b>	REV

FOR ELECTRICAL TORQUE SPECIFICATIONS SEE DWG NO. 128783-01-000

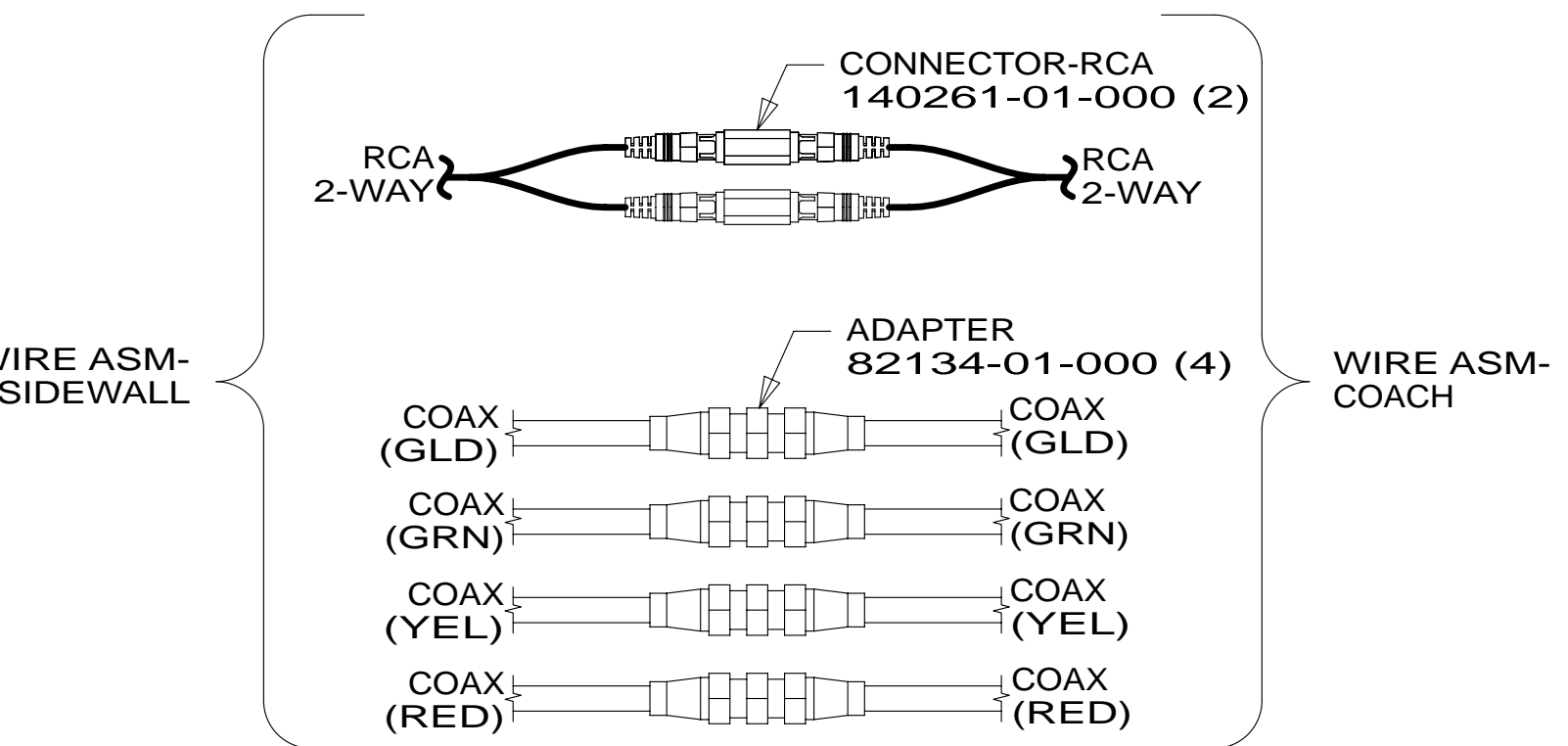
FOR ELECTRICAL CALLOUTS SEE DWG NO. 121339-01-000

\* 186777

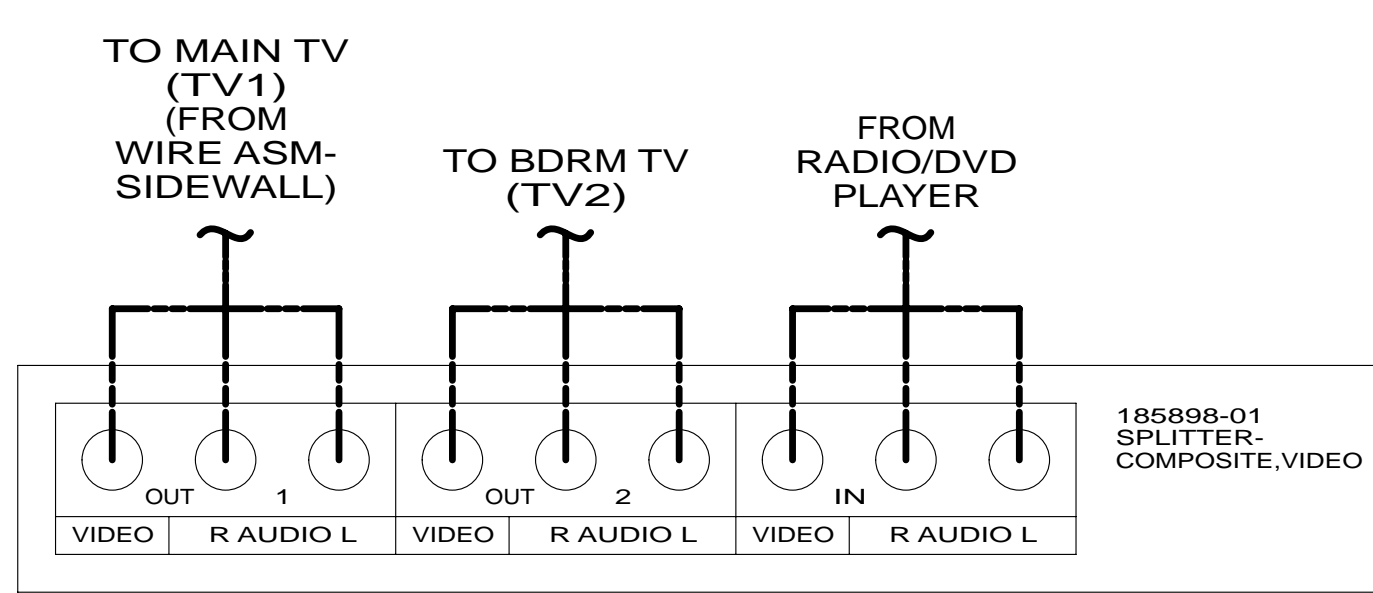




DETAIL DA 1E2

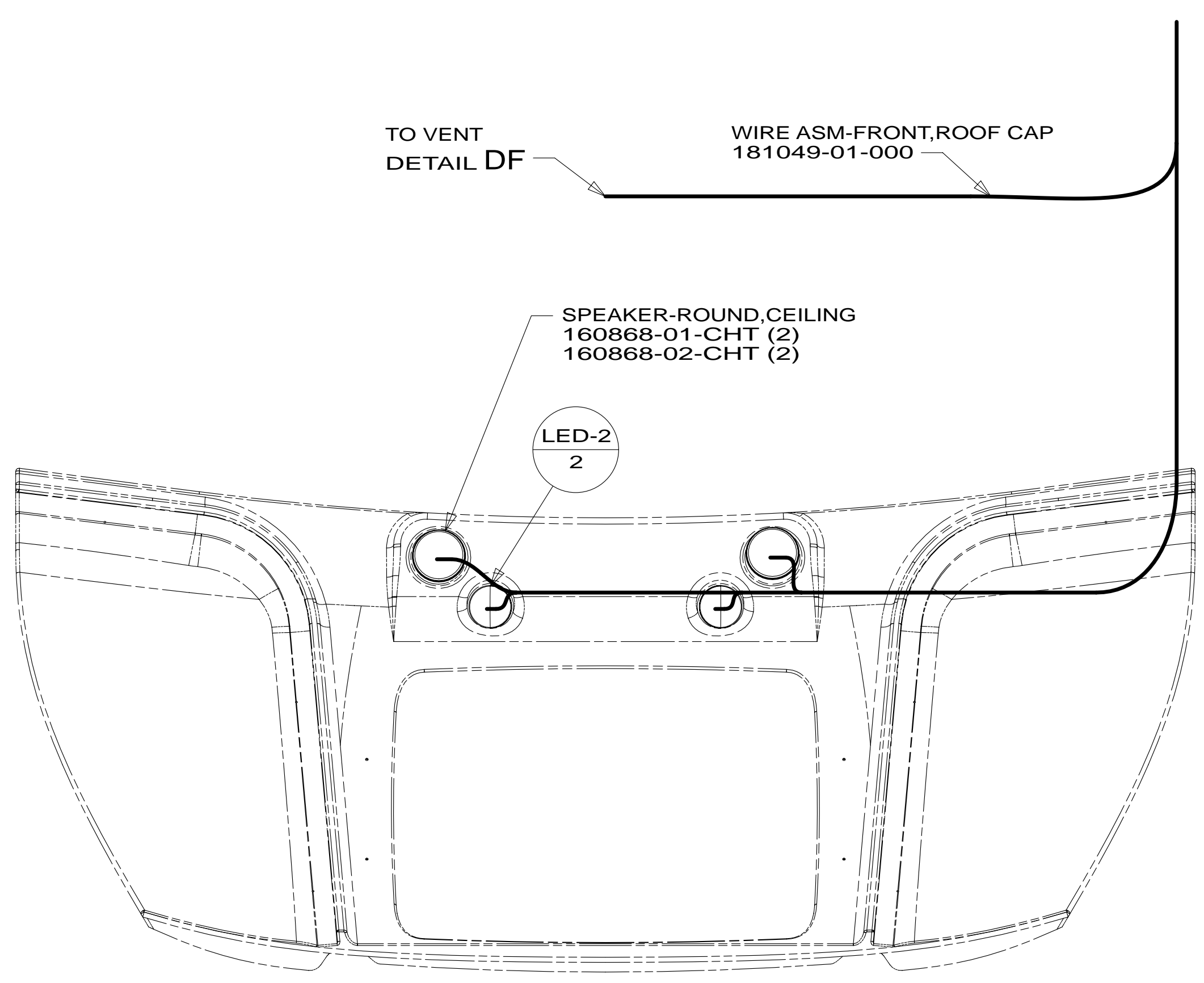


DETAIL DB

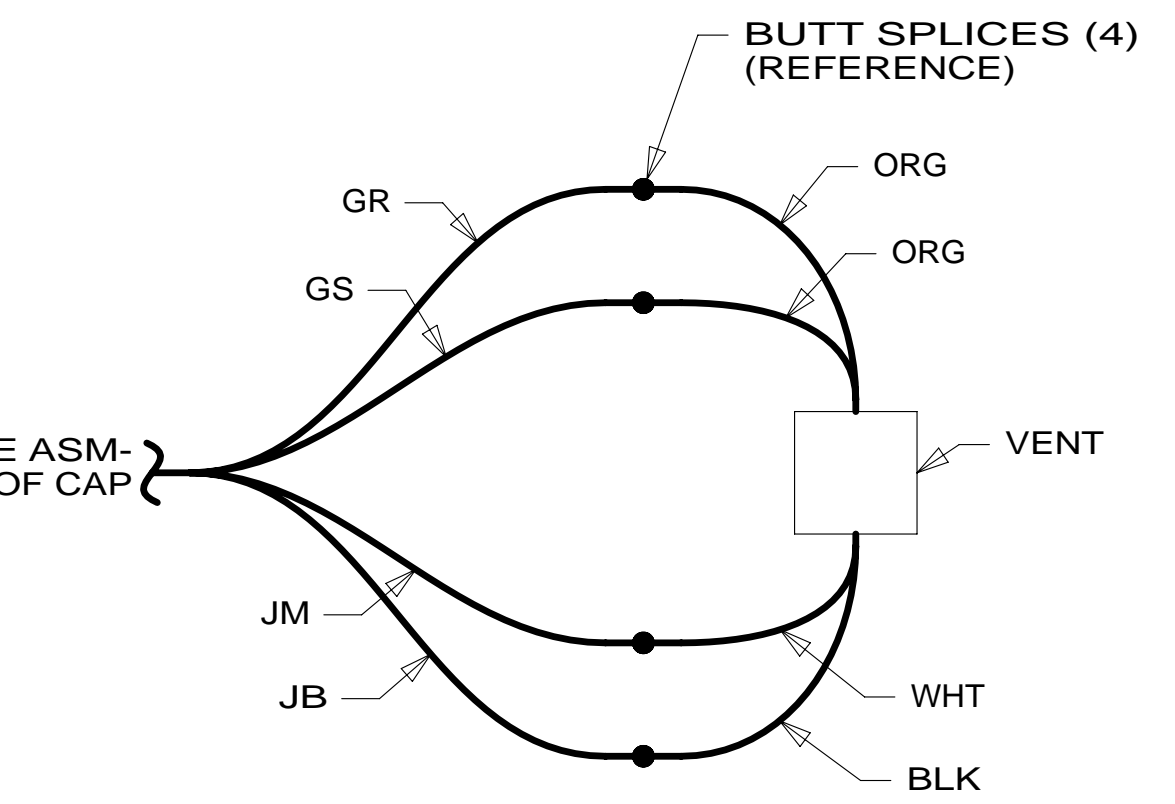


DETAIL DC 7

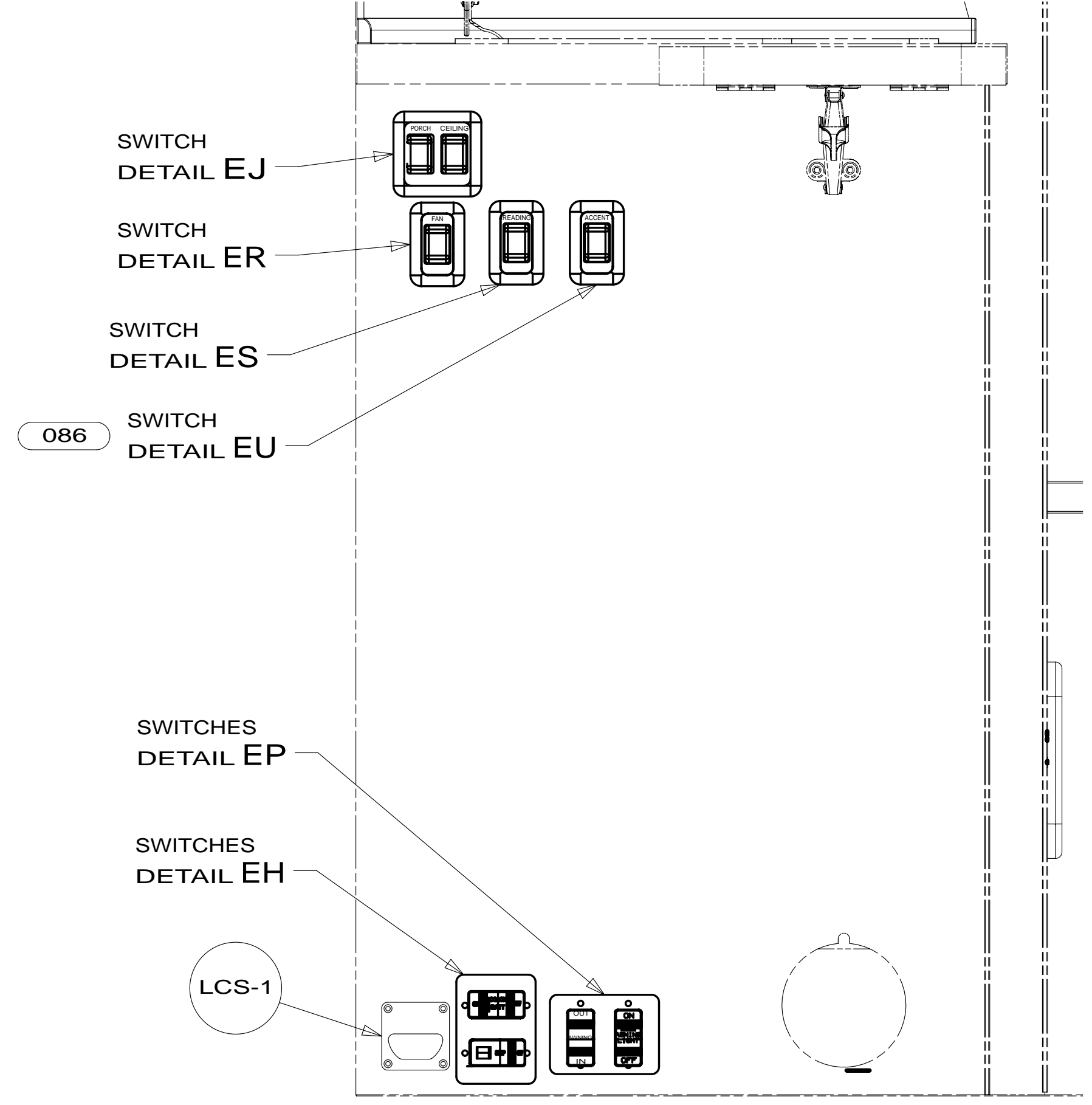
- NOTES:
- 7 CONNECT RED WIRE TO YELLOW WIRE AND CONNECT BLACK WIRE TO WHITE WIRE.
  - 6 CIRCUIT FROM WIRE ASM-CHASSIS.
  - 5 CIRCUIT FROM WIRE ASM-COACH.
  - 4 SEE WIRING INSTL-BODY,110V FOR ADDITIONAL INFORMATION.
  - 3 MOUNT SWITCH AND SPACER TO BLOCK ON JAMB. ADJUST HEIGHT TO MATCH MAGNET.
  - 2 MOUNT MAGNET USING PILOT HOLES IN SCREEN DOOR FRAME. MOUNT WITH MAGNET TOWARD SWITCH.
  - 1 FOR REFERENCE ONLY. SEE LOAD CENTER/ATS ASM FOR ADDITIONAL INFORMATION.



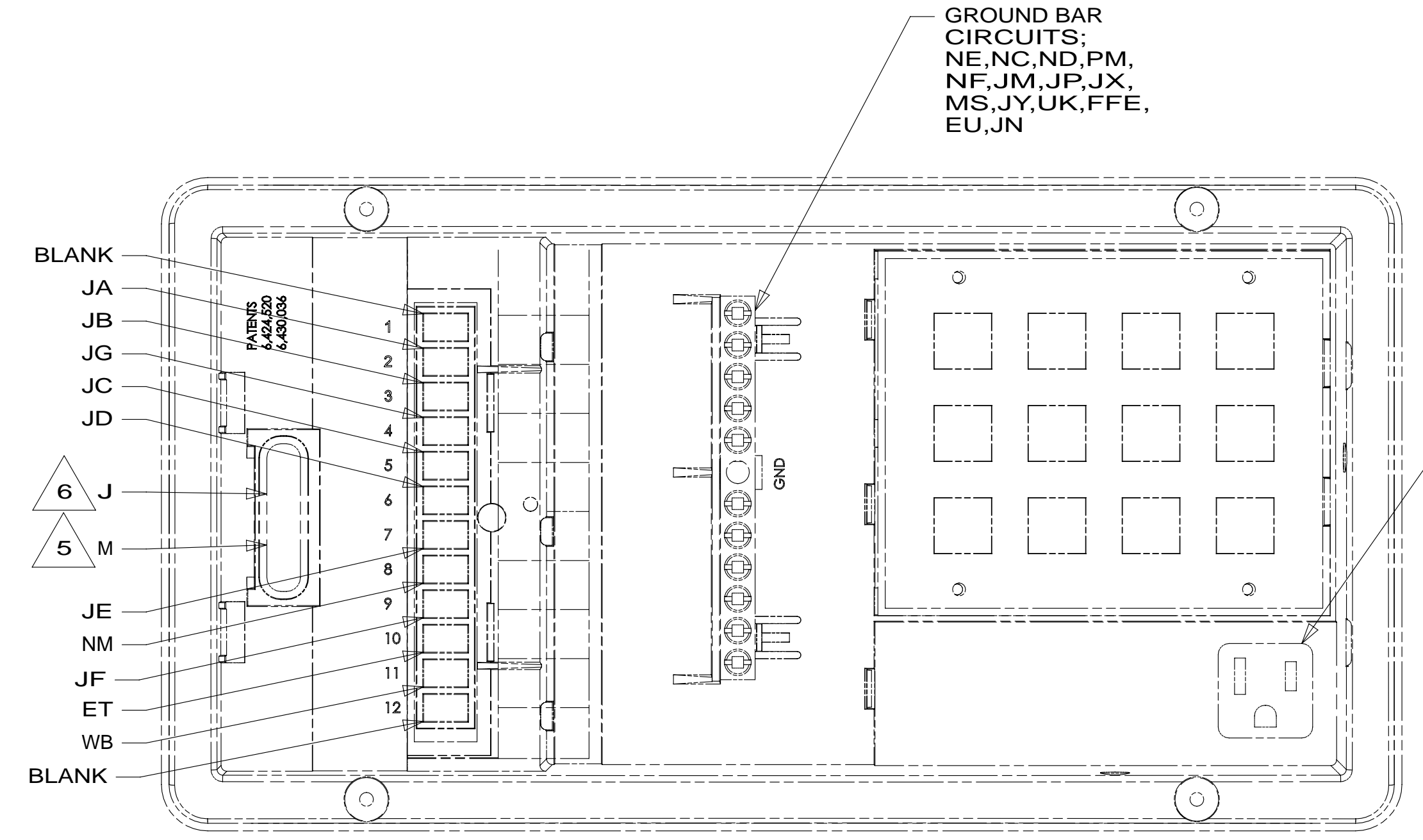
DETAIL DF 710



DETAIL DF 316



DETAIL DD



DETAIL DG 1

- 086 INTERIOR UPGRADE PACKAGE
- 710 VENT ROOF-POWERED,INSULATED
- 316 SKYLIGHT/ROOF VENT, POWER
- 23R DRAINAGE SYSTEM/HEAT-PREWIRE
- 23T DRAINAGE SYSTEM-HEATED
- 1E2 ENTRANCE STEP-ELEC.
- 265 CODES/STANDARDS-CSA/CMVSS
- 1B1 CODES/STANDARDS USA

FOR ELECTRICAL TORQUE SPECIFICATIONS SEE DWG NO. 128783-01-000

FOR ELECTRICAL CALLOUTS SEE DWG NO. 121339-01-000

FIRST USED 14 524V

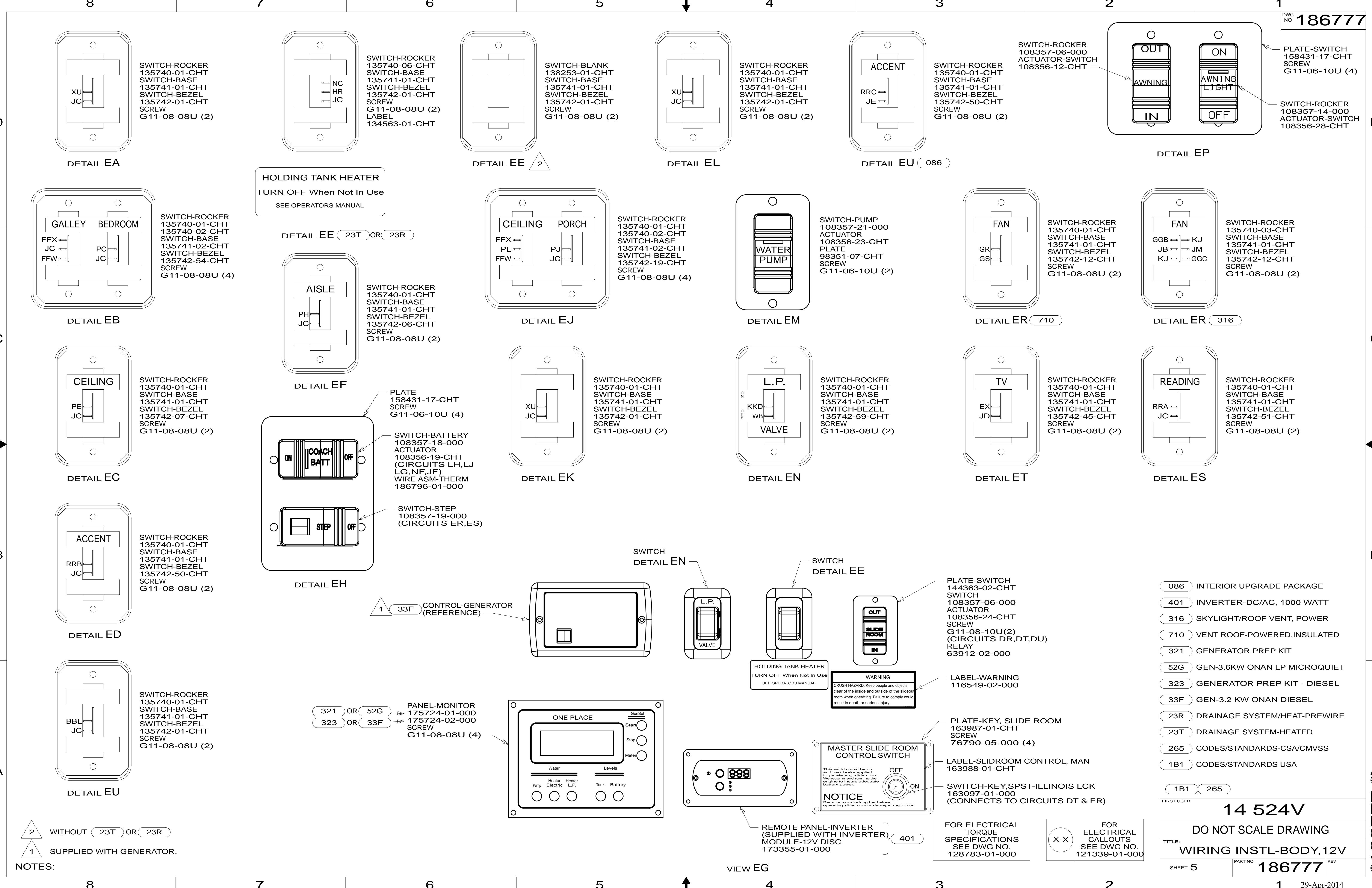
DO NOT SCALE DRAWING

TITLE: WIRING INSTL-BODY,12V

SHEET 4 PART NO 186777 REV

29-Apr-2014

\*186777 A



8  
7  
6  
5  
4  
3  
2  
1

D  
C  
B  
A

NOTES:

2 WITHOUT 23T OR 23R

1 SUPPLIED WITH GENERATOR.

HOLDING TANK HEATER  
TURN OFF When Not In Use  
SEE OPERATORS MANUAL

1 33F CONTROL-GENERATOR (REFERENCE)

321 OR 52G PANEL-MONITOR 175724-01-000  
323 OR 33F 175724-02-000 SCREW G11-08-08U (4)

401 REMOTE PANEL-INVERTER (SUPPLIED WITH INVERTER) MODULE-12V DISC 173355-01-000

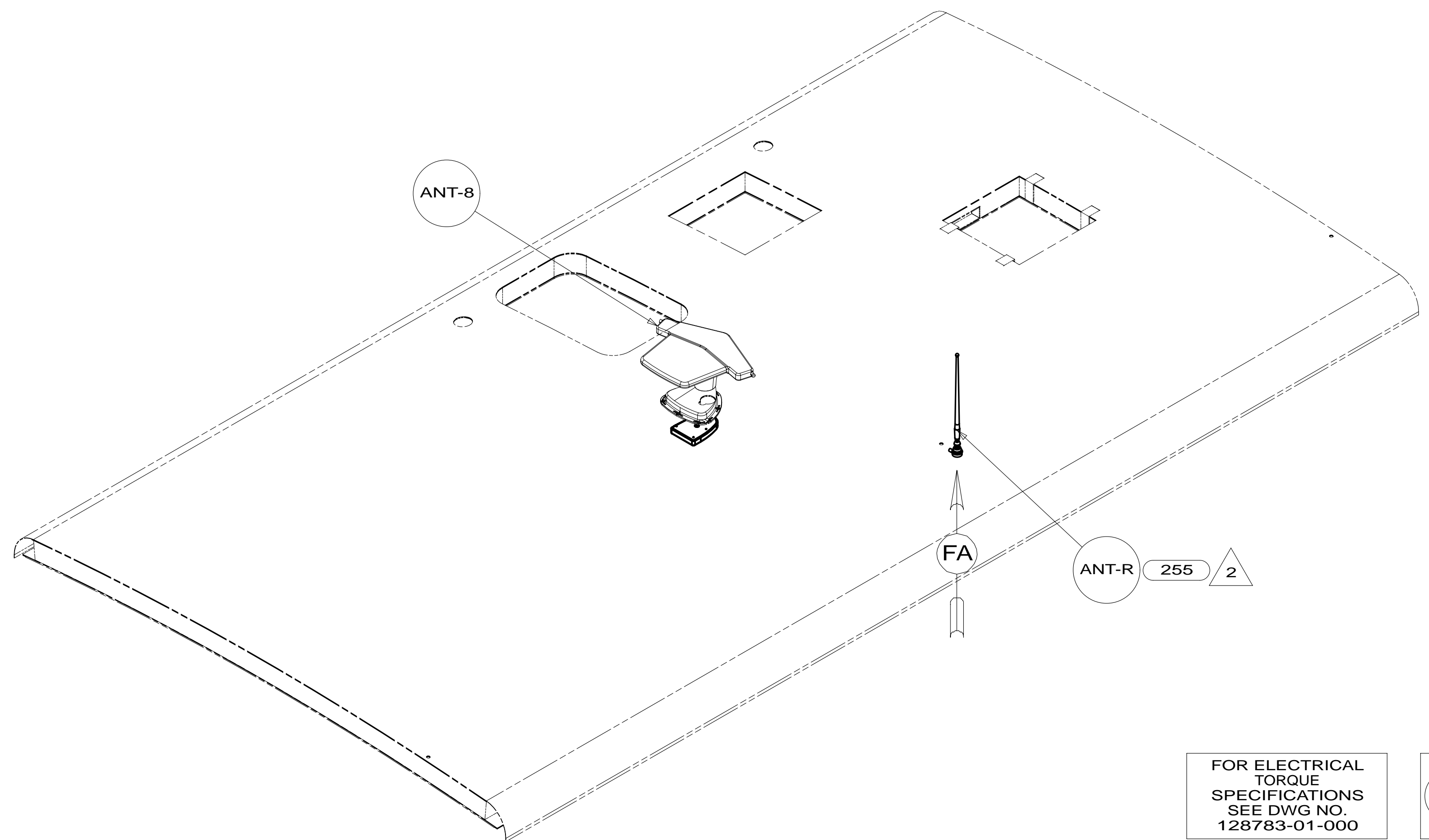
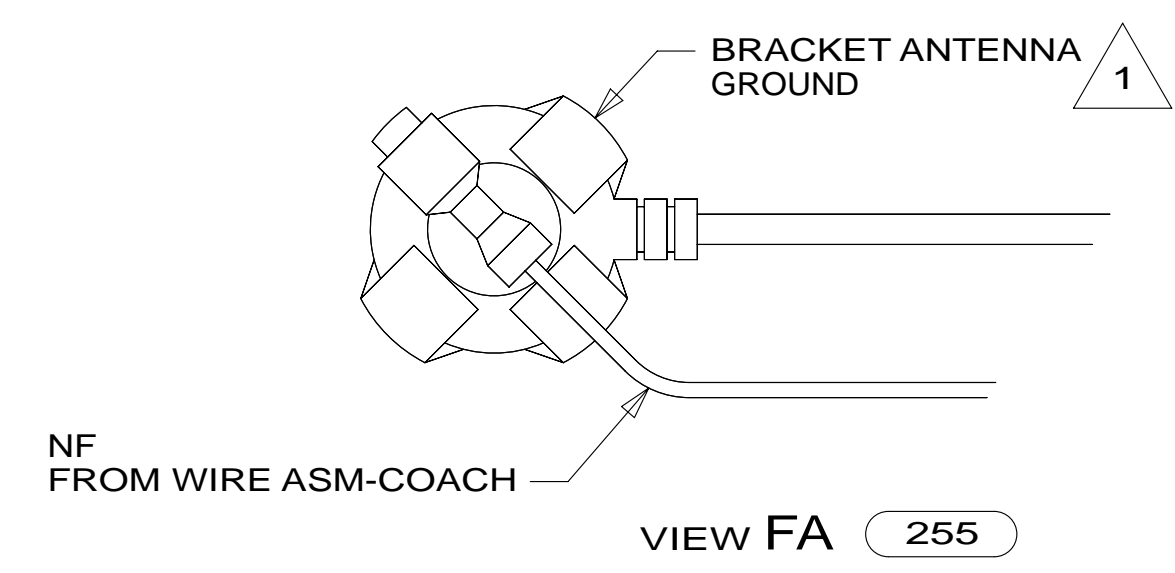
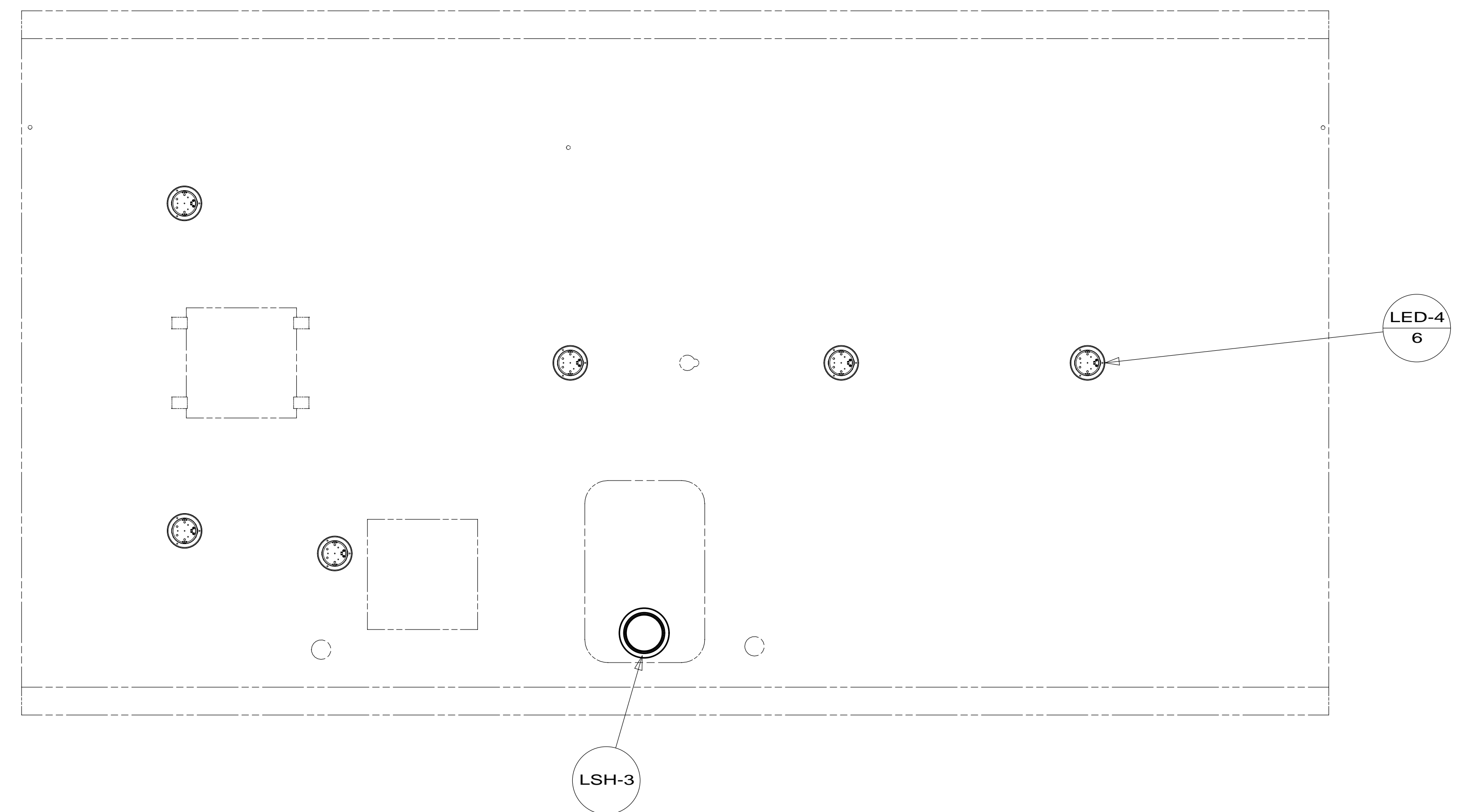
FOR ELECTRICAL TORQUE SPECIFICATIONS SEE DWG NO. 128783-01-000

FOR ELECTRICAL CALLOUTS SEE DWG NO. 121339-01-000

- 086 INTERIOR UPGRADE PACKAGE
- 401 INVERTER-DC/AC, 1000 WATT
- 316 SKYLIGHT/ROOF VENT, POWER
- 710 VENT ROOF-POWERED, INSULATED
- 321 GENERATOR PREP KIT
- 52G GEN-3.6KW ONAN LP MICROQUIET
- 323 GENERATOR PREP KIT - DIESEL
- 33F GEN-3.2 KW ONAN DIESEL
- 23R DRAINAGE SYSTEM/HEAT-PREWIRE
- 23T DRAINAGE SYSTEM-HEATED
- 265 CODES/STANDARDS-CSA/CMVSS
- 1B1 CODES/STANDARDS USA

FIRST USED		<b>14 524V</b>	
<b>DO NOT SCALE DRAWING</b>			
<b>TITLE: WIRING INSTL-BODY, 12V</b>			
SHEET 5	PART NO	186777	REV
			29-Apr-2014

\* 186777



- NOTES:
- 2 REMOVE GROUND WIRE FROM ANTENNA BASE.
  - 1 WRAP BRACKET LEGS AROUND ANTENNA BASE.

FOR ELECTRICAL TORQUE SPECIFICATIONS SEE DWG NO. 128783-01-000

FOR ELECTRICAL CALLOUTS SEE DWG NO. 121339-01-000

- 255 RADIO/AM/FM/CD/DVD, COACH
- 265 CODES/STANDARDS-CSA/CMVSS
- 1B1 CODES/STANDARDS USA

FIRST USED	14 524V	
DO NOT SCALE DRAWING		
TITLE: WIRING INSTL-BODY, 12V		
SHEET 6	PART NO 186777	REV

\* 186777 \* A