



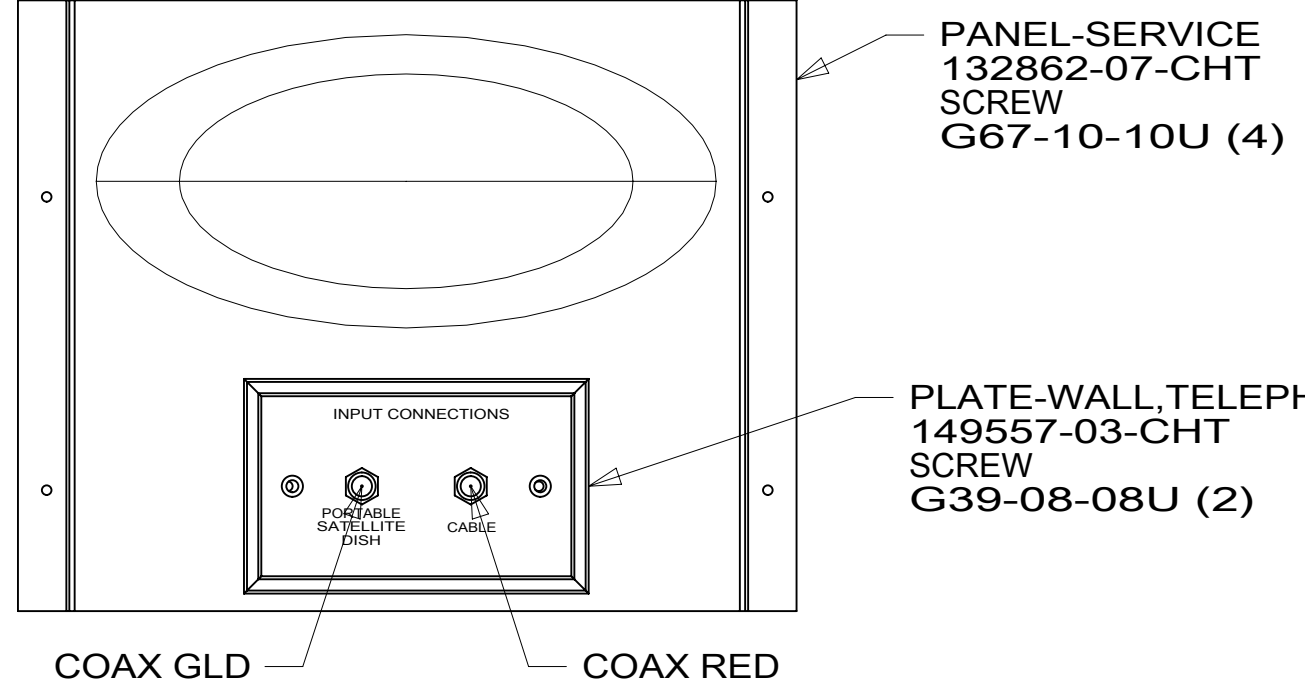
DANGER

Danger of electrical shock, burns or death. Always remove all power sources before attempting any repair, service or diagnostic work. Power can be present from shore power, generator, inverter or battery. All power sources must be disabled and secured before performing any service.

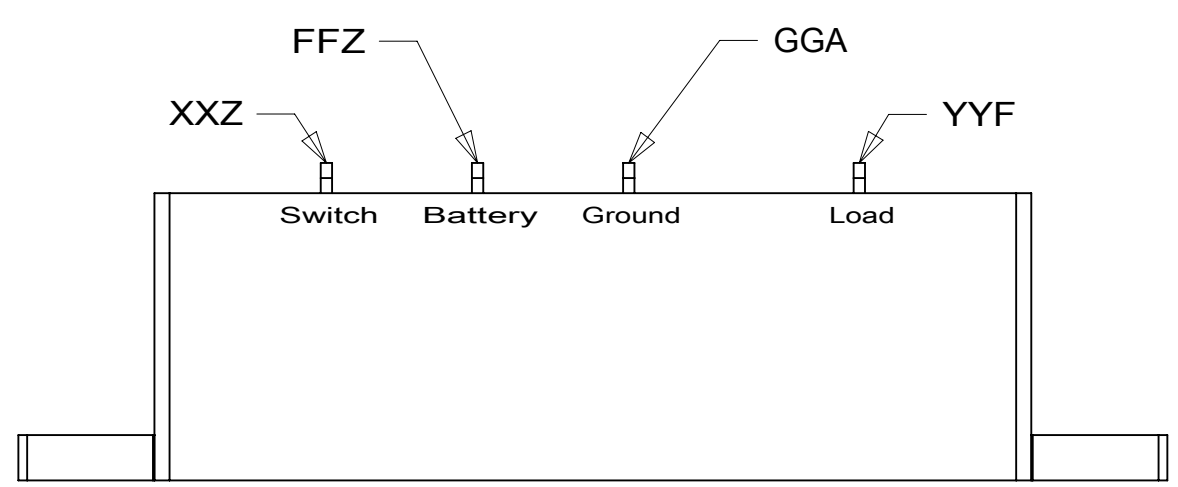


CAUTION

If you lack the skills, tools or equipment to perform diagnostic or repair work leave such work to an authorized Winnebago Industries dealer or other qualified shop.

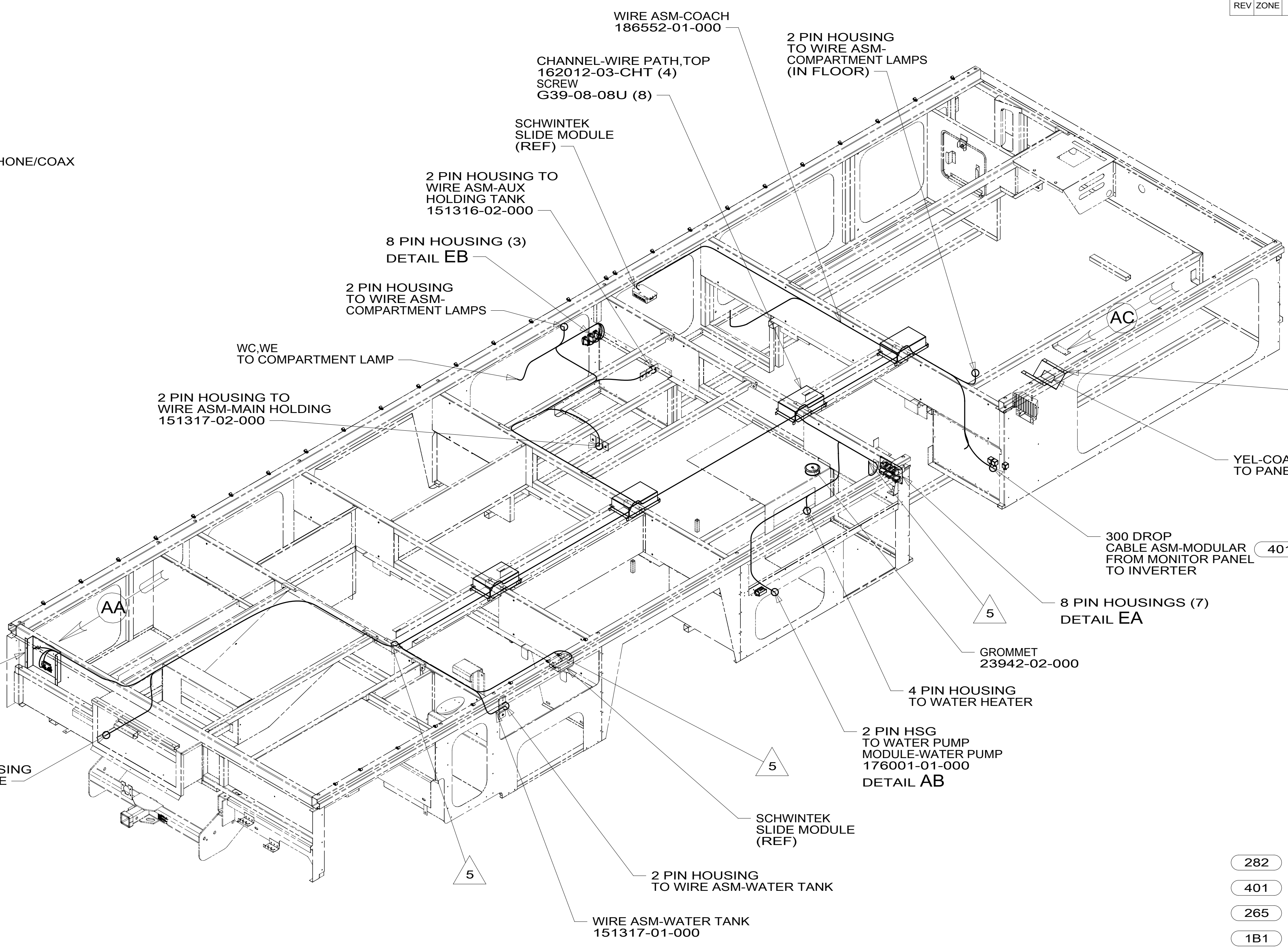


VIEW AA



DETAIL AB

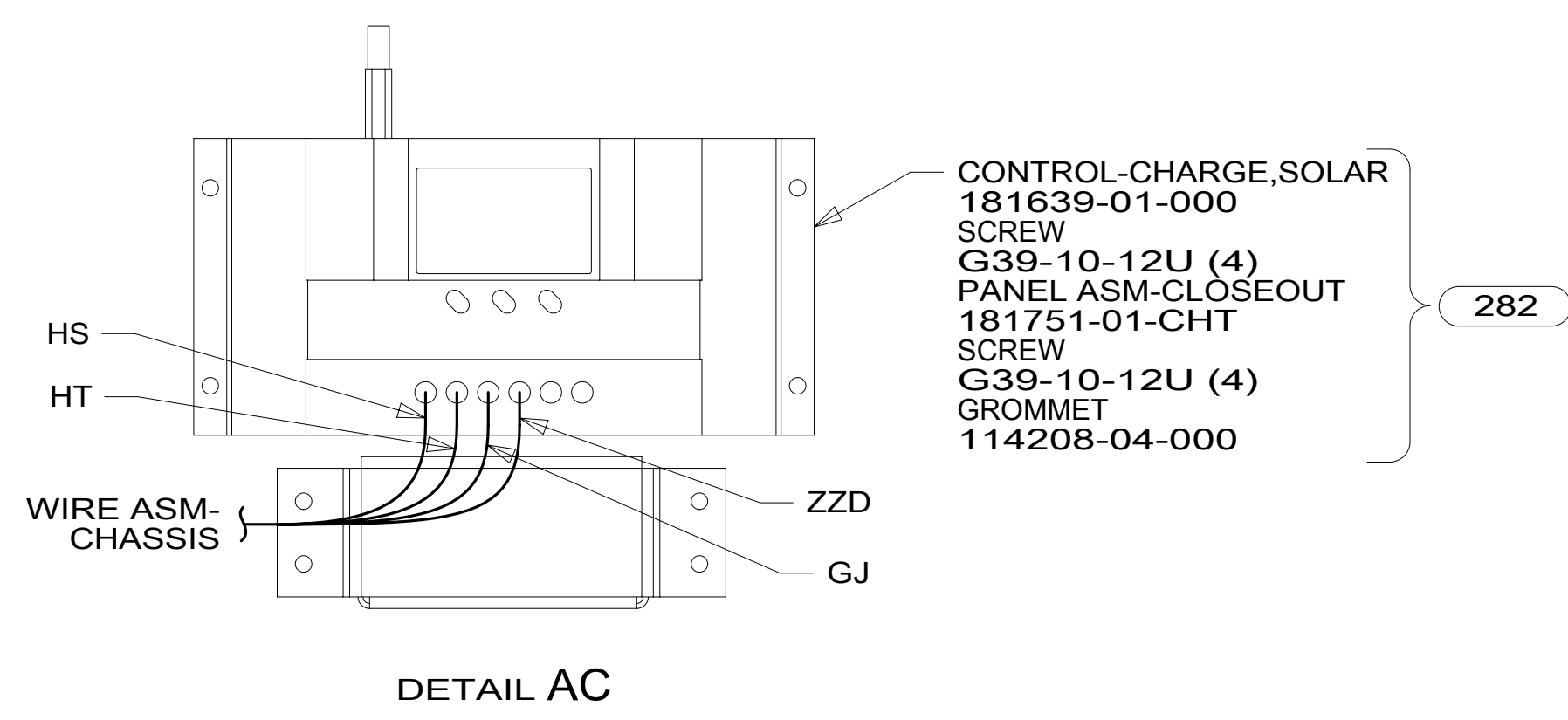
NW,WE
TO COMPARTMENT LAMP
TELEPHONE WIRE
TO PLATE-WALL,PHONE
COAX (RED)
COAX (GLD)
TO PLATE-WALL,PHONE



- 282 SOLAR PANEL - 100 WATT
- 401 INVERTER-DC/AC, 1000 WATT
- 265 CODES/STANDARDS-CSA/CMVSS
- 1B1 CODES/STANDARDS USA



DFT-ORIG	ORIG. DATE
CHKR	ALL DIMENSIONS ARE IN MILLIMETERS
P.E.	FIRST USED
M.E.	14 J32H
DSNR	
UNSPECIFIED TOLERANCES ARE:	
WHOLE DIM (X)	: 3
ONE-PLACE (X.X)	: 1.5
TWO-PLACE (X.XX)	: 0.50
ANGLE	: 1°
THIRD ANGLE PROJECTION	
DO NOT SCALE DRAWING	REFER TO ES0018 FOR FASTENER TIGHTENING GUIDELINES
TITLE:	WIRING INSTL-BODY, 12V
SHEET 1 OF 8	PART NO 186550
REF:	1 19-Nov-2014



DETAIL AC

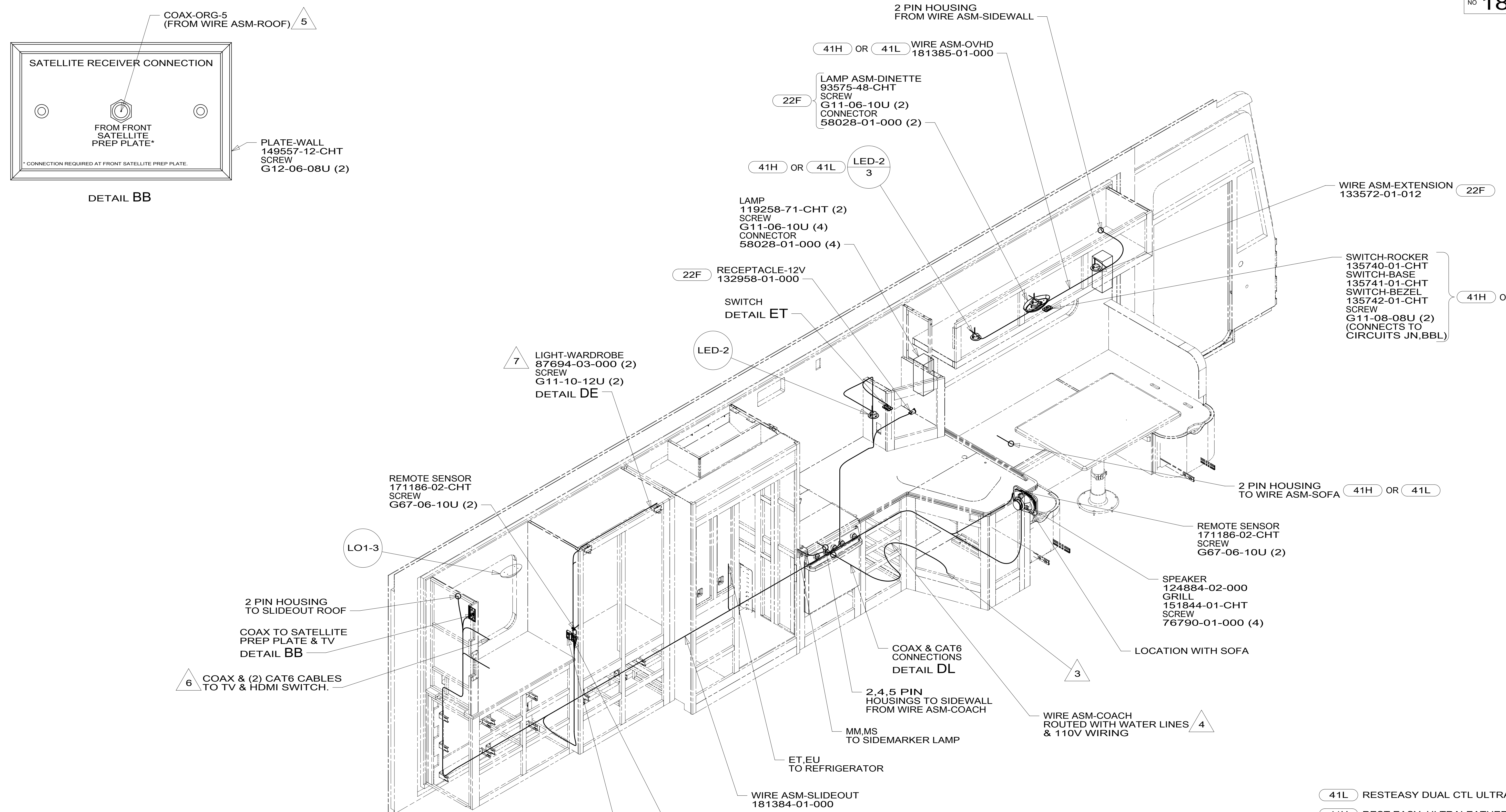
- 5 WIRE PASSES THROUGH FLOOR AT THIS POINT.
- 4 WITHOUT 1D3
3. ROUTE TANK SENSOR WIRES SO THEY DO NOT PASS OVER SENSORS. USE WIRE TIE MOUNT 155366-01-000 AND WIRE TIE 8343-01-000 AS NEEDED. TANK SURFACE MUST BE CLEANED USING ISOPROPYL ALCOHOL AND PRIME WITH PRIMER 94.
 2. SEE WIRING DIAGRAM-BODY, 12V FOR ADDITIONAL INFORMATION.
 1. AT MINIMUM ALL WIRES TO BE SUPPORTED AND SECURED PER CODE REQUIREMENTS. USE CLAMP 10495 OR 10497 OR WIRE TIE 8343 OR 108046 AND SCREW G67-XX-XXX OR G56-XX-XXX AS APPROPRIATE FOR INSTALLATION.

NOTES:

FOR ELECTRICAL
TORQUE
SPECIFICATIONS
SEE DWG NO.
128783-01-000

FOR
ELECTRICAL
CALLOUTS
SEE DWG NO.
121339-01-000

186550



- NOTES:
- 1. AT MINIMUM ALL WIRES TO BE SUPPORTED AND SECURED PER CODE REQUIREMENTS. USE CLAMP 10495 OR 10497 OR WIRE TIE 8343 OR 108046 AND SCREW G67-XX-XXX OR G56-XX-XXX AS APPROPRIATE FOR INSTALLATION.
 - 2. SEE WIRING DIAGRAM-BODY, 12V FOR ADDITIONAL INFORMATION.
 - 3. WIRE PASSES THROUGH FLOOR AT THIS POINT.
 - 4. SEE WIRING INSTL-BODY, 12V FOR ADDITIONAL INFORMATION.
 - 5. CONNECTS TO REAR OF SATELLITE PREP PLATE.
 - 6. SEE WIRING INSTL TV/DVD FOR ADDITIONAL INFORMATION.
 - 7. ADD CONDUIT 41953-07 TO COVER EXPOSED WIRES.

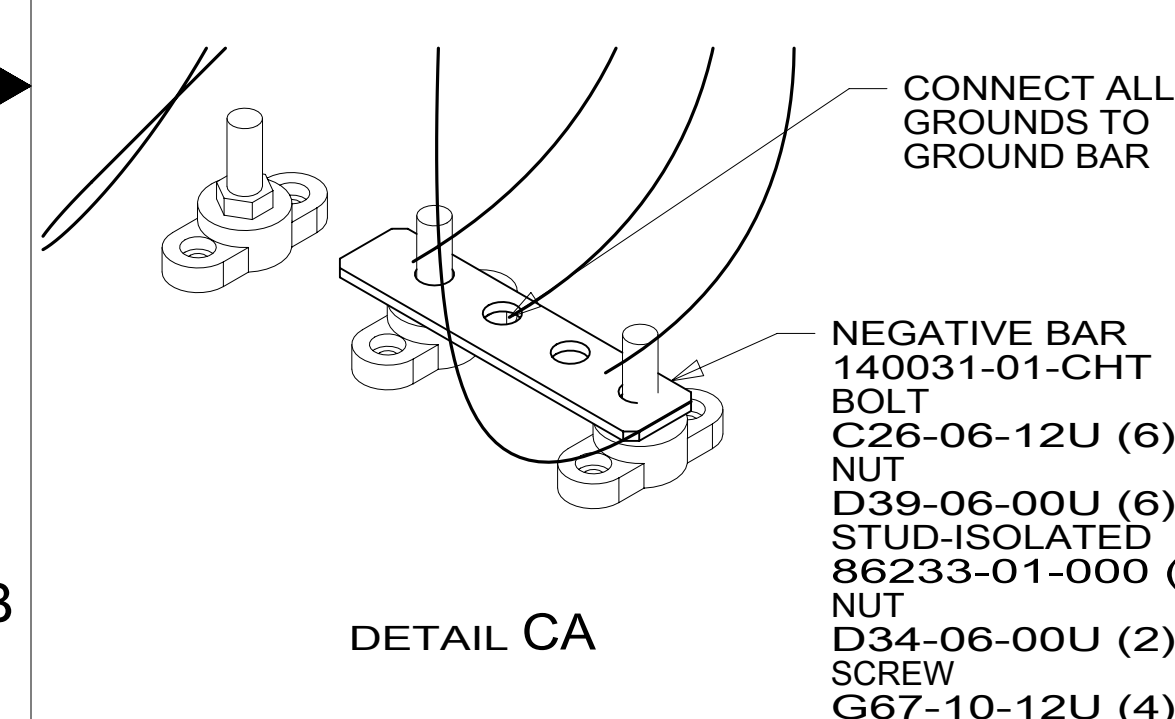
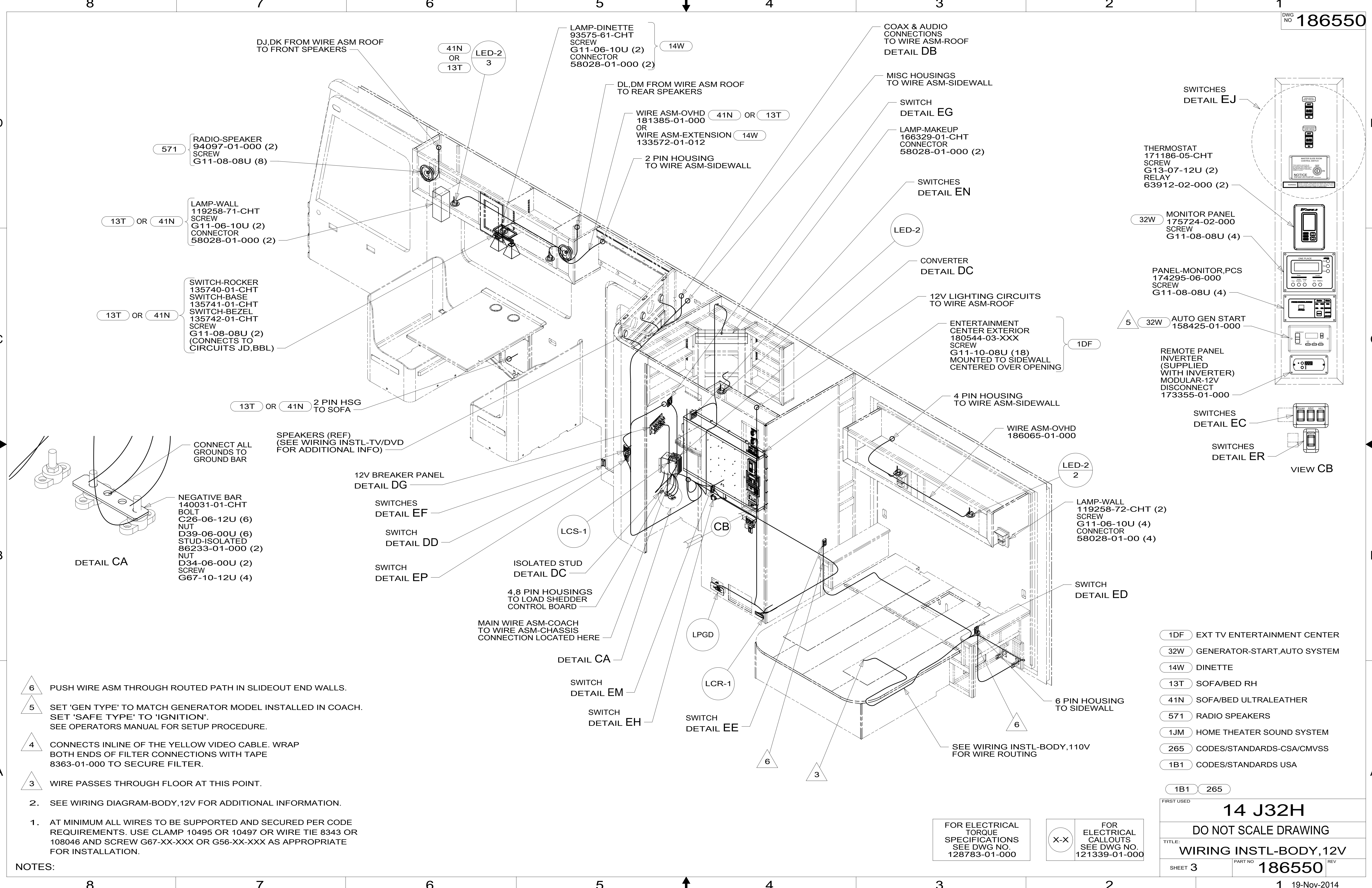
- 41L RESTEASY DUAL CTL ULTRALE LH
- 41H REST EASY, ULTRALEATHER
- 22F DINETTE, U-SHAPED ULTRALEATH
- 401 INVERTER-DC/AC, 1000 WATT
- 265 CODES/STANDARDS-CSA/CMVSS
- 1B1 CODES/STANDARDS USA

FIRST USED	14 J32H
DO NOT SCALE DRAWING	
TITLE:	WIRING INSTL-BODY, 12V
SHEET 2	PART NO 186550 REV
1 19-Nov-2014	

FOR ELECTRICAL TORQUE SPECIFICATIONS SEE DWG NO. 128783-01-000

FOR ELECTRICAL CALLOUTS SEE DWG NO. 121339-01-000

*186550 *A



- NOTES:**
1. AT MINIMUM ALL WIRES TO BE SUPPORTED AND SECURED PER CODE REQUIREMENTS. USE CLAMP 10495 OR 10497 OR WIRE TIE 8343 OR 108046 AND SCREW G67-XX-XXX OR G56-XX-XXX AS APPROPRIATE FOR INSTALLATION.
 2. SEE WIRING DIAGRAM-BODY, 12V FOR ADDITIONAL INFORMATION.
- 6** PUSH WIRE ASM THROUGH ROUTED PATH IN SLIDEOUT END WALLS.
- 5** SET 'GEN TYPE' TO MATCH GENERATOR MODEL INSTALLED IN COACH. SET 'SAFE TYPE' TO 'IGNITION'. SEE OPERATORS MANUAL FOR SETUP PROCEDURE.
- 4** CONNECTS INLINE OF THE YELLOW VIDEO CABLE. WRAP BOTH ENDS OF FILTER CONNECTIONS WITH TAPE 8363-01-000 TO SECURE FILTER.
- 3** WIRE PASSES THROUGH FLOOR AT THIS POINT.

- 1DF** EXT TV ENTERTAINMENT CENTER
- 32W** GENERATOR-START,AUTO SYSTEM
- 14W** DINETTE
- 13T** SOFA/BED RH
- 41N** SOFA/BED ULTRALEATHER
- 571** RADIO SPEAKERS
- 1JM** HOME THEATER SOUND SYSTEM
- 265** CODES/STANDARDS-CSA/CMVSS
- 1B1** CODES/STANDARDS USA

FOR ELECTRICAL TORQUE SPECIFICATIONS SEE DWG NO. 128783-01-000

FOR ELECTRICAL CALLOUTS SEE DWG NO. 121339-01-000

14 J32H

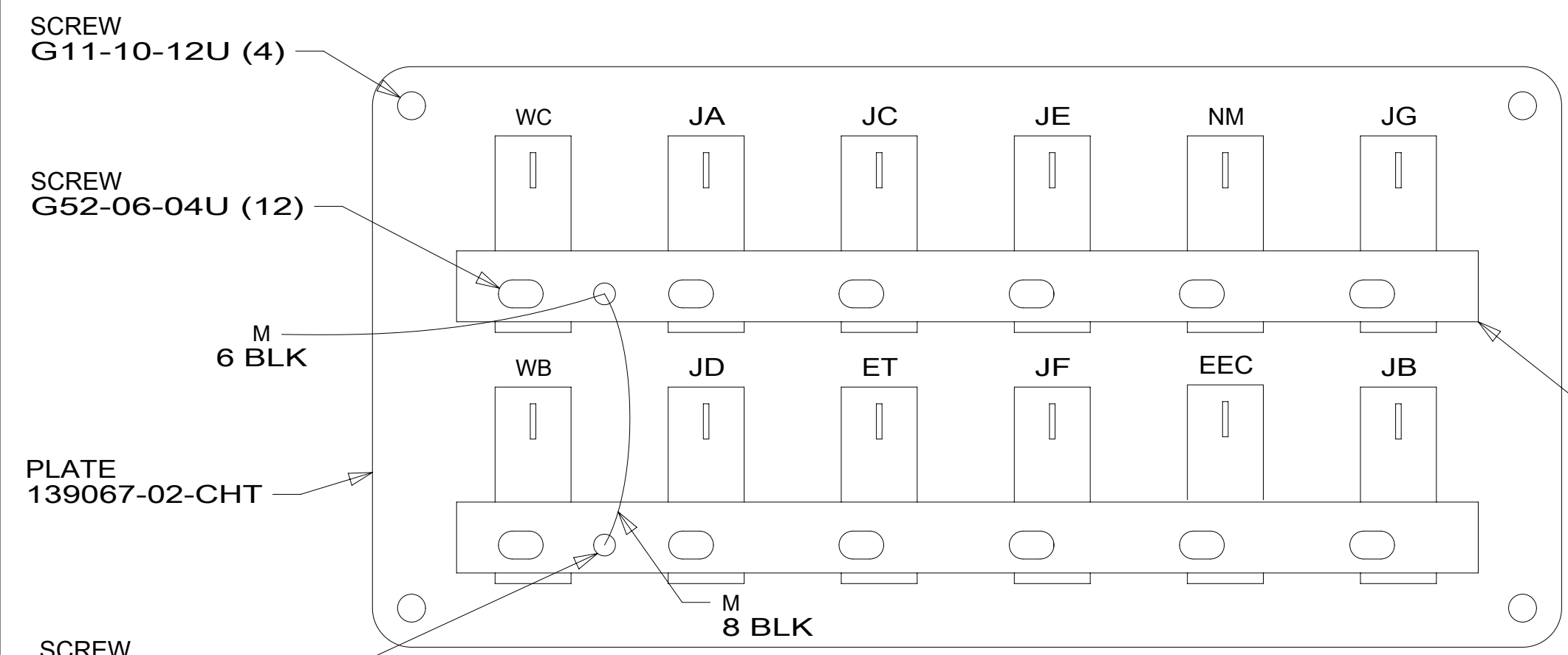
DO NOT SCALE DRAWING

TITLE: **WIRING INSTL-BODY, 12V**

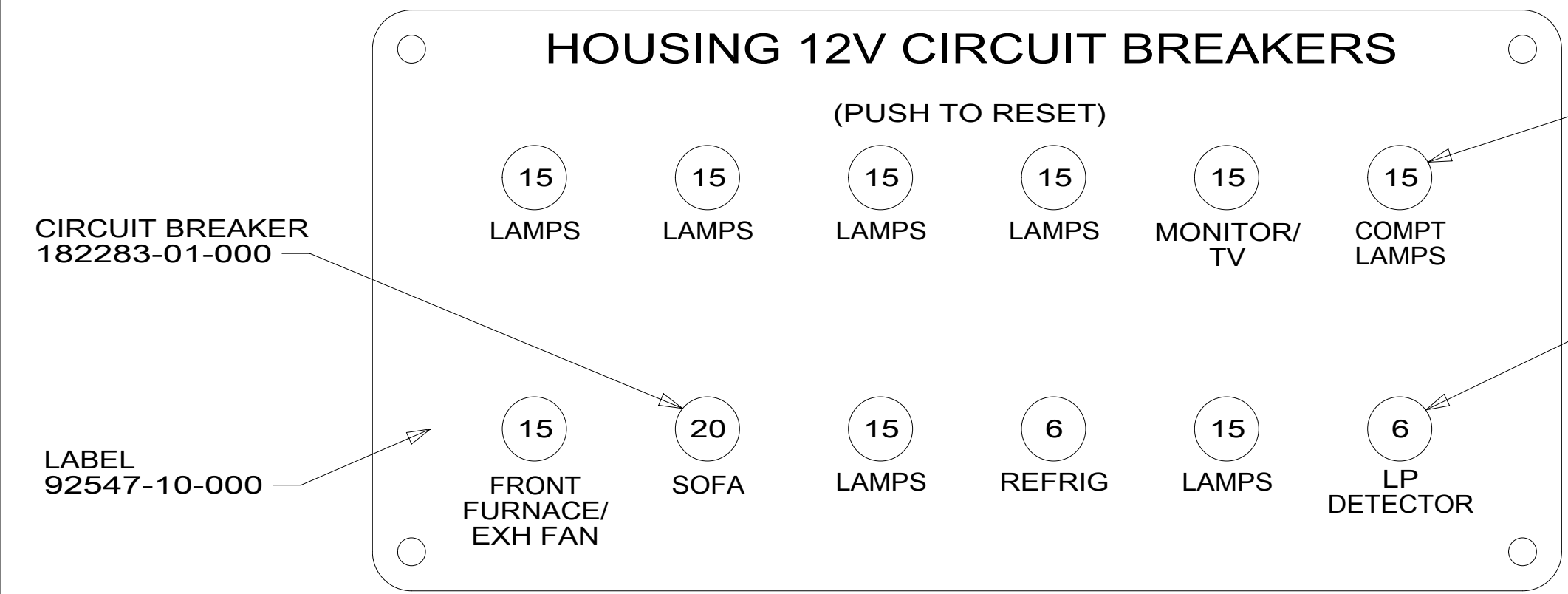
SHEET 3 PART NO **186550** REV

19-Nov-2014

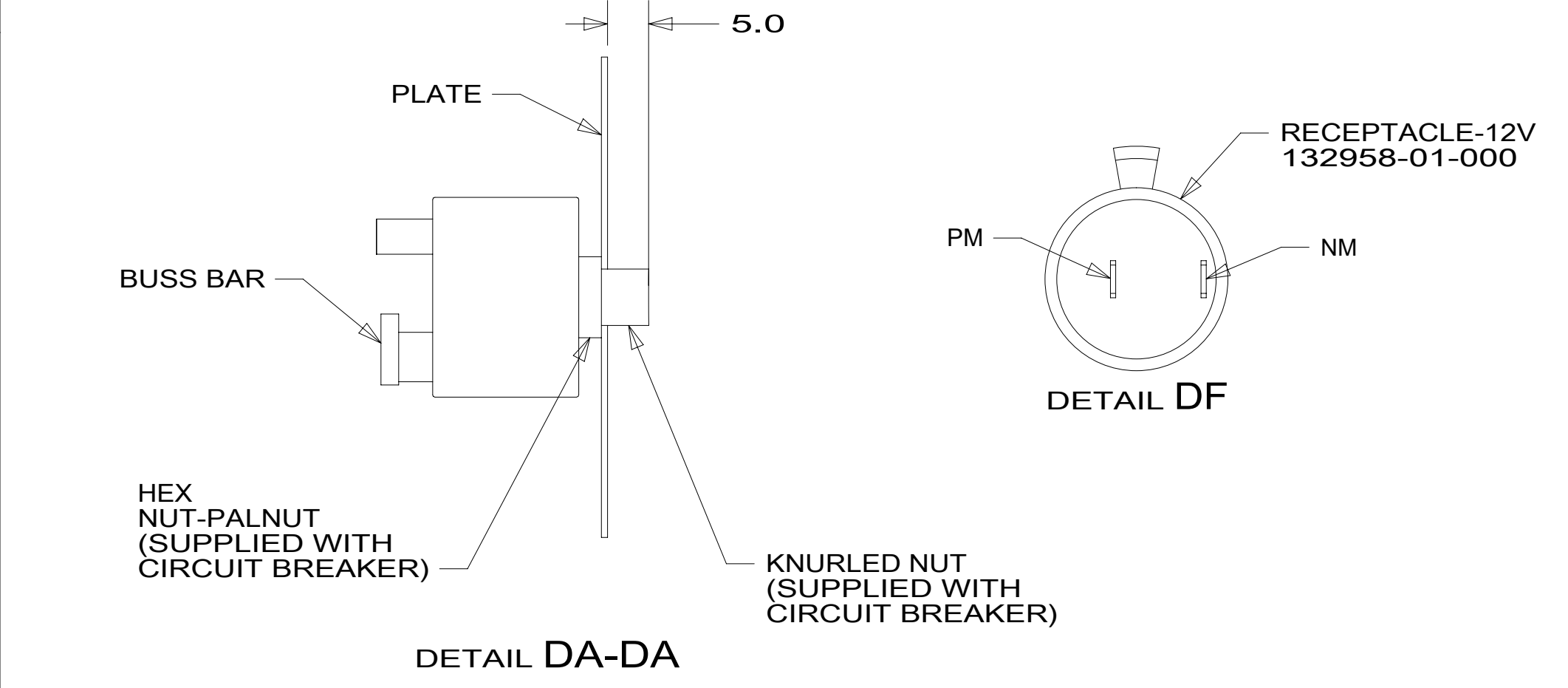
*186550 *A



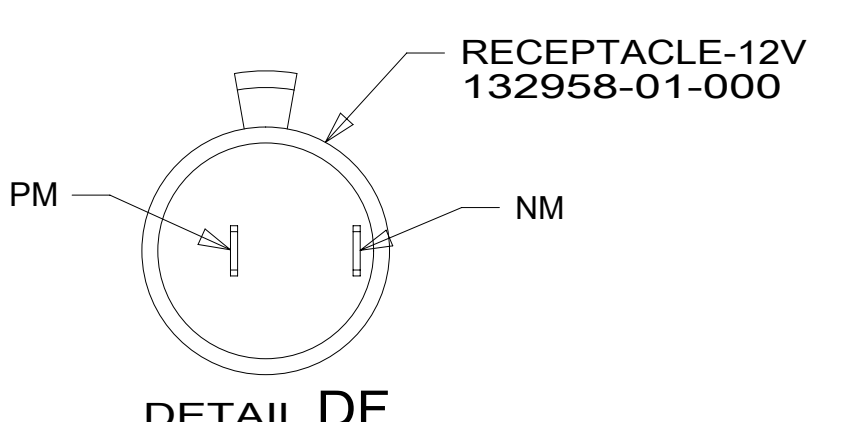
DETAIL DG (BACK VIEW)



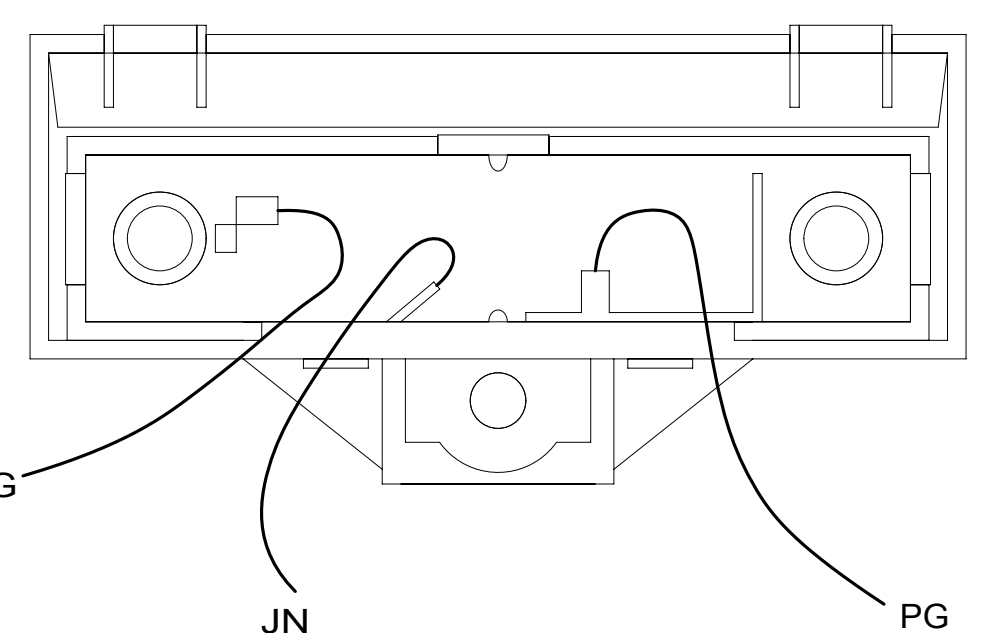
DETAIL DG (FRONT VIEW)



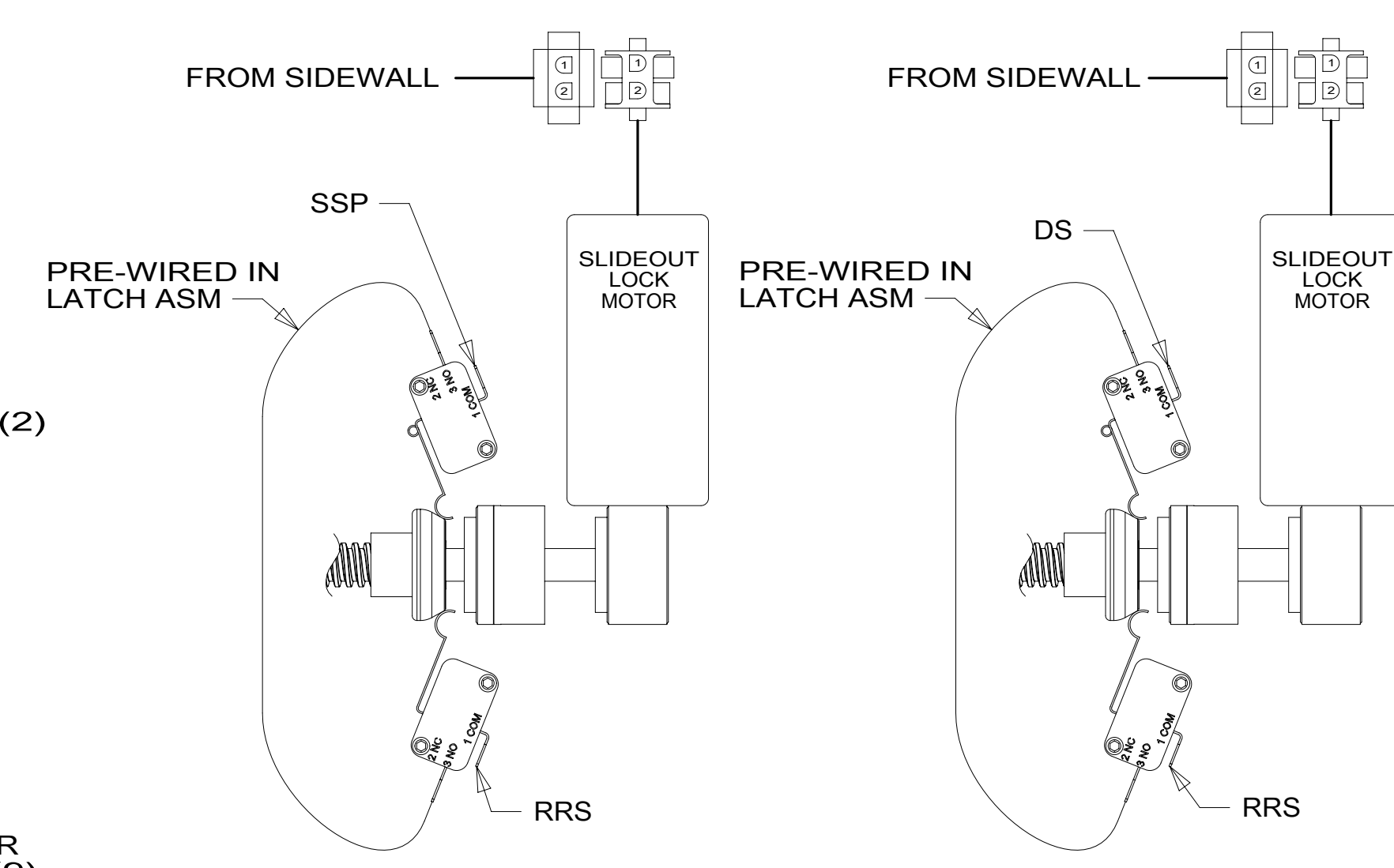
DETAIL DA-DA



DETAIL DF

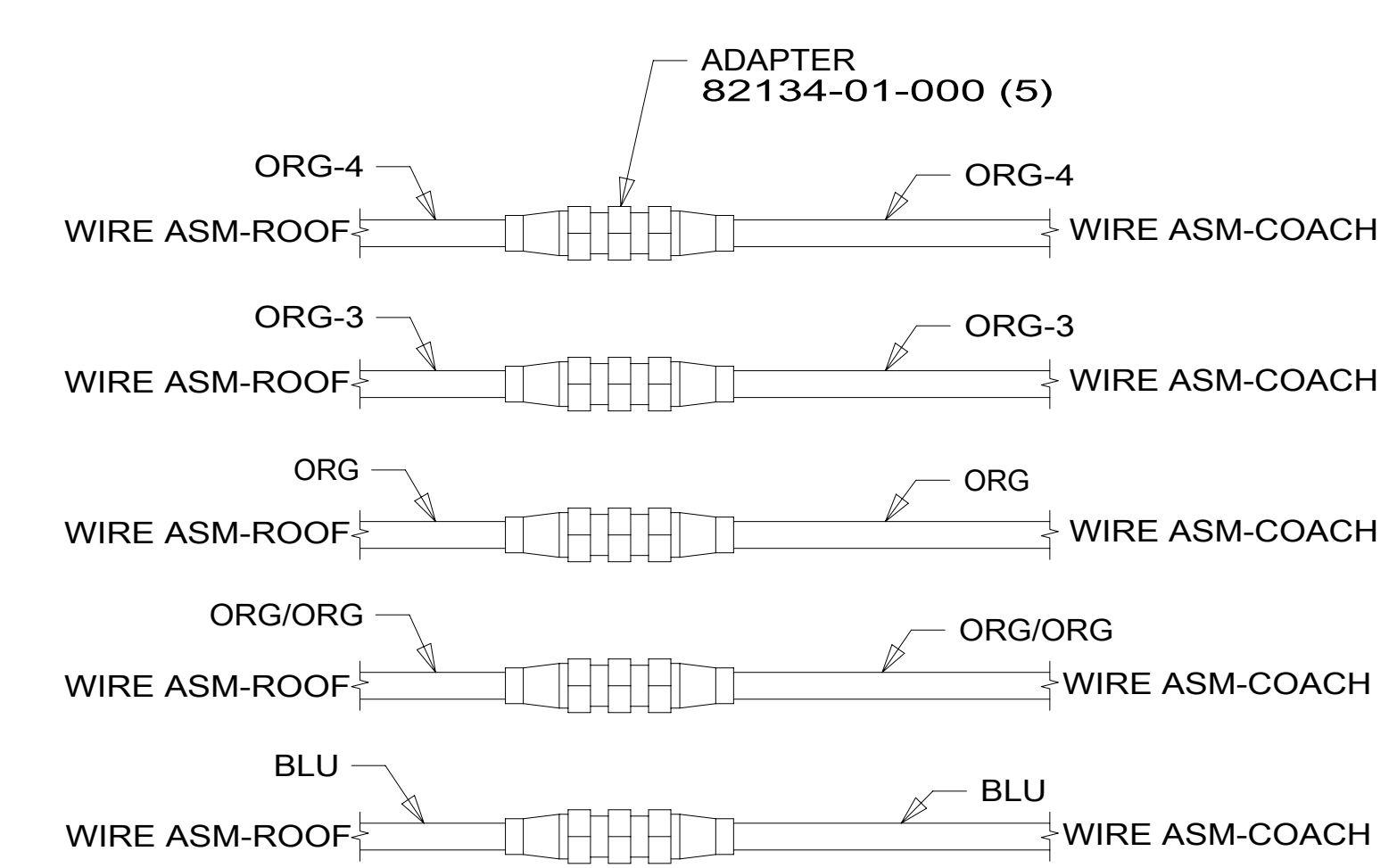


DETAIL DE

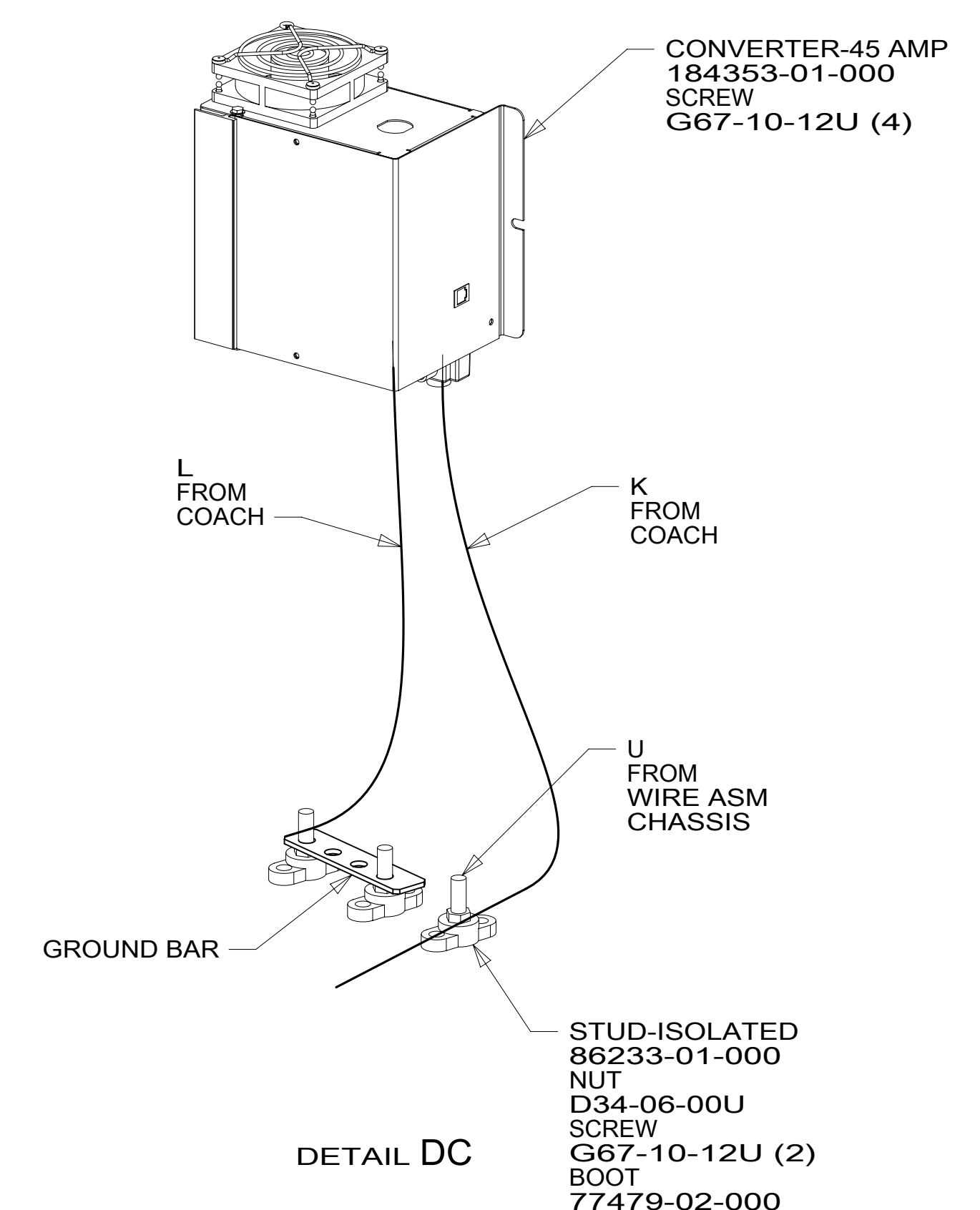


DETAIL DJ (FRONT)

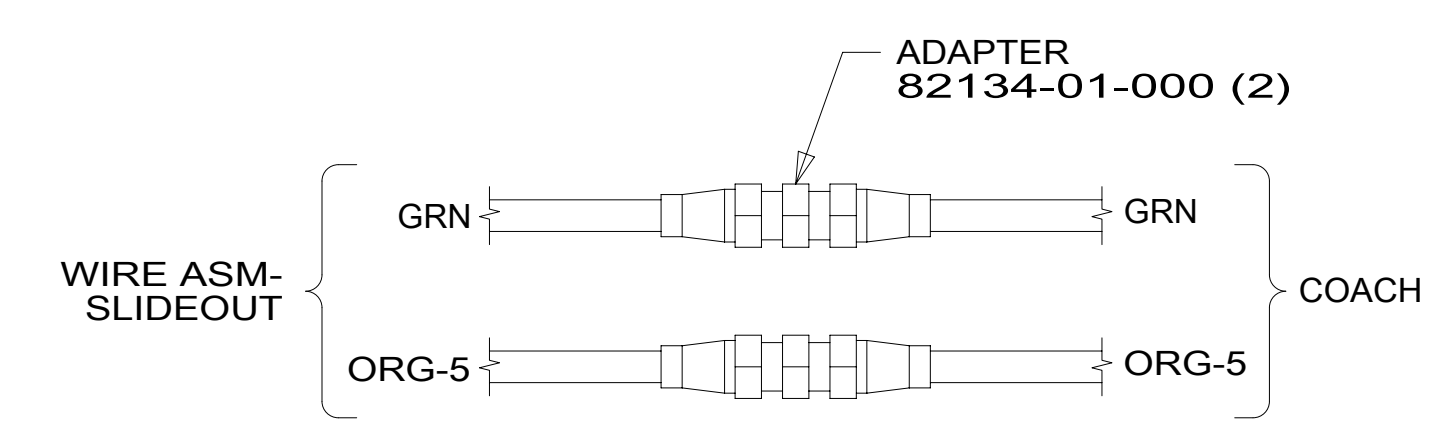
DETAIL DH (FRONT)



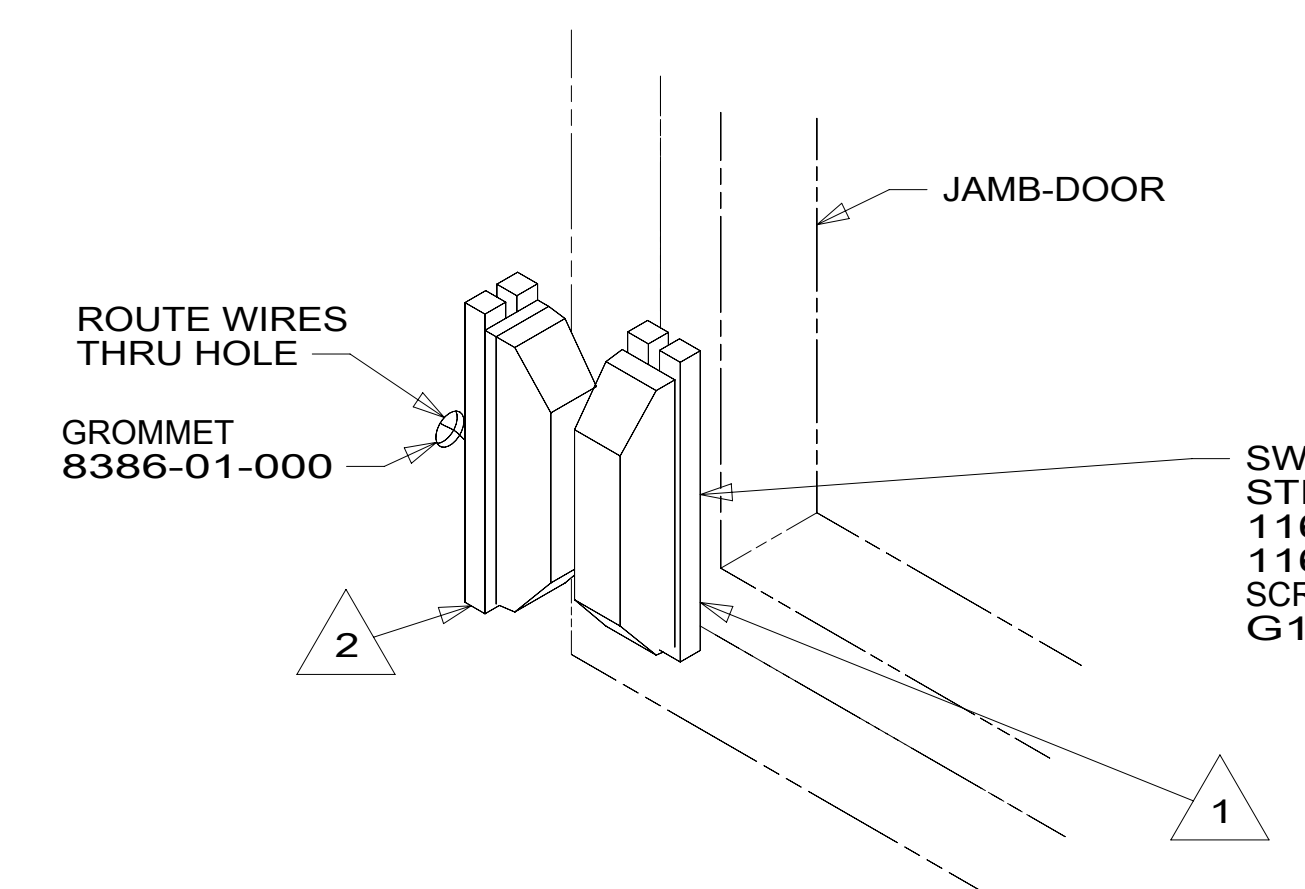
DETAIL DB



DETAIL DC



DETAIL DL



DETAIL DD

- NOTES:
- 3 FOR POSITIONING DIMENSIONS SEE WIRING INSTL-BODY, 110V.
 - 2 MOUNT SWITCH AND SPACER TO BLOCK ON JAMB ADJUST HEIGHT TO MATCH MAGNET.
 - 1 MOUNT MAGNET USING PILOT HOLES IN SCREEN DOOR FRAME. MOUNT WITH MAGNET TOWARD SWITCH.

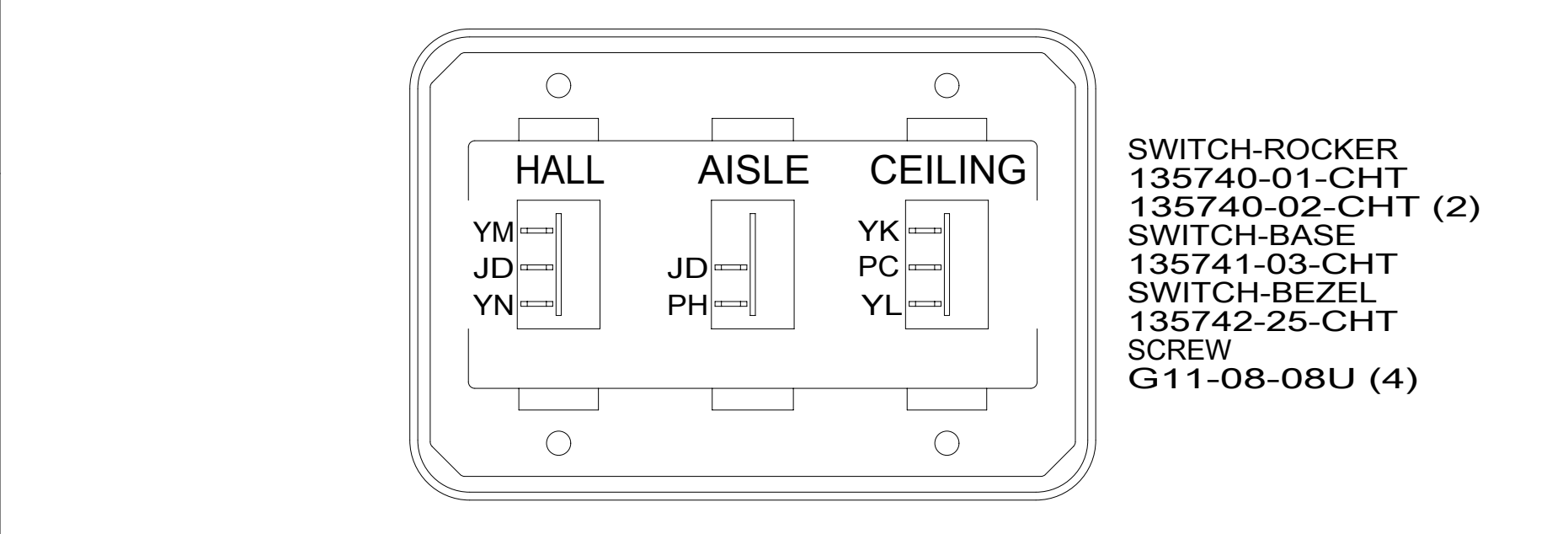
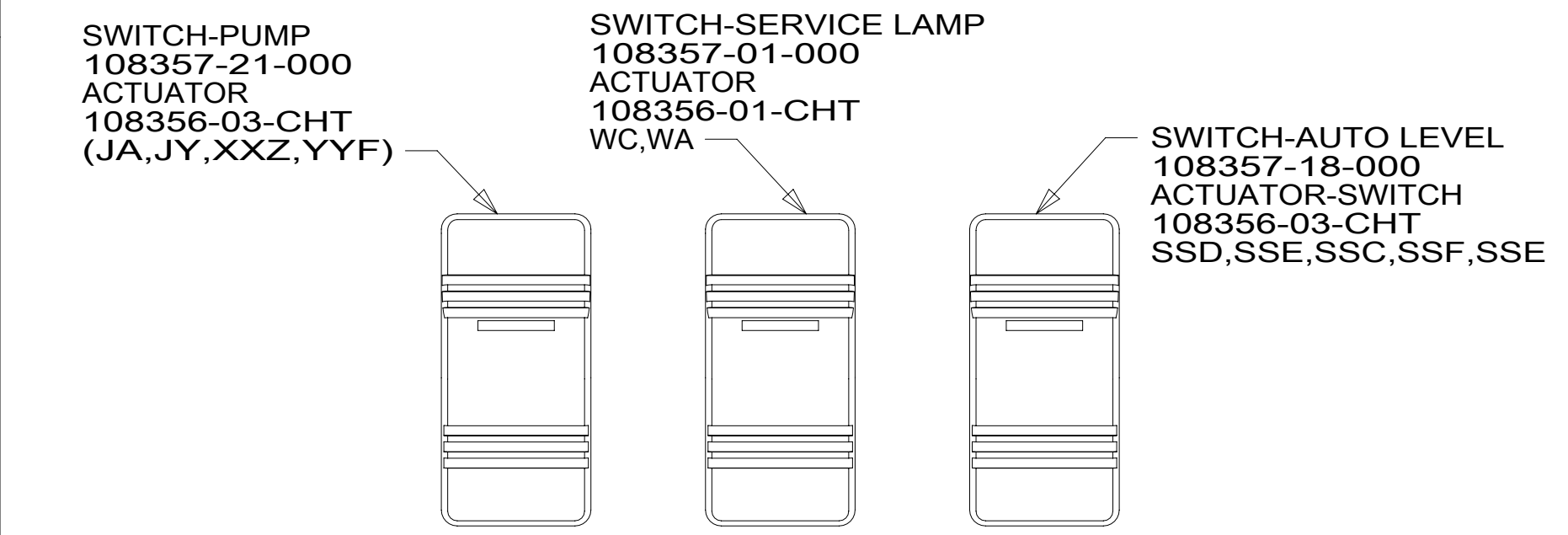
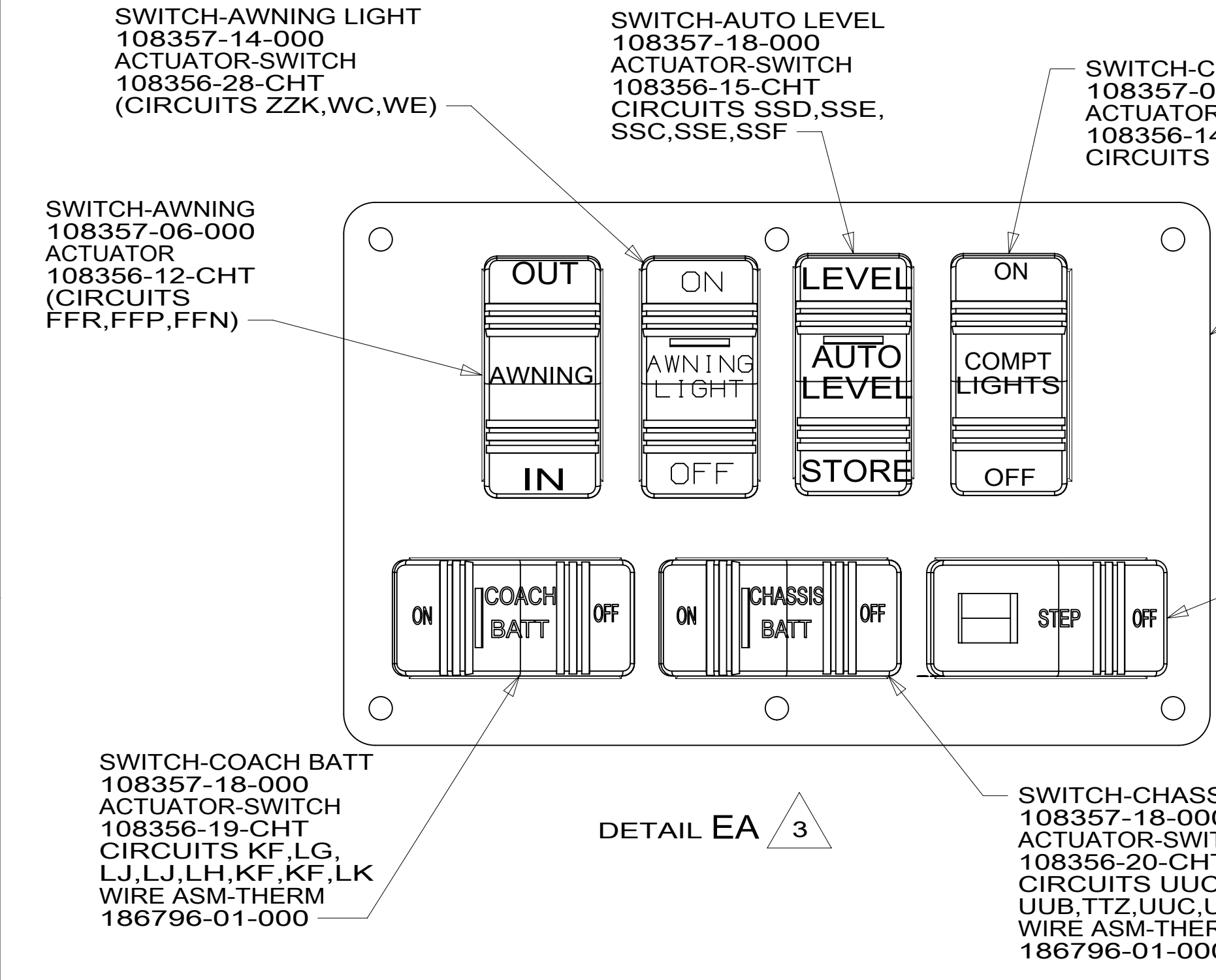
FOR ELECTRICAL TORQUE SPECIFICATIONS SEE DWG NO. 128783-01-000

FOR ELECTRICAL CALLOUTS SEE DWG NO. 121339-01-000

- 27A EXT FULL BODY PAINT PKG #1
- 27G EXTERIOR GRAPHICS PACKAGE #1
- 92K EXTERIOR GRAPHICS PACKAGE #2
- 92A EXT FULL BODY PAINT PKG # 2
- 24B EXT FULL BODY PAINT PKG #4
- 24C EXT FULL BODY PAINT PKG # 3
- 265 CODES/STANDARDS-CSA/CMVSS
- 1B1 CODES/STANDARDS USA

FIRST USED	14 J32H	
DO NOT SCALE DRAWING		
TITLE: WIRING INSTL-BODY, 12V		
SHEET 4	PART NO 186550	REV

*186550 *A

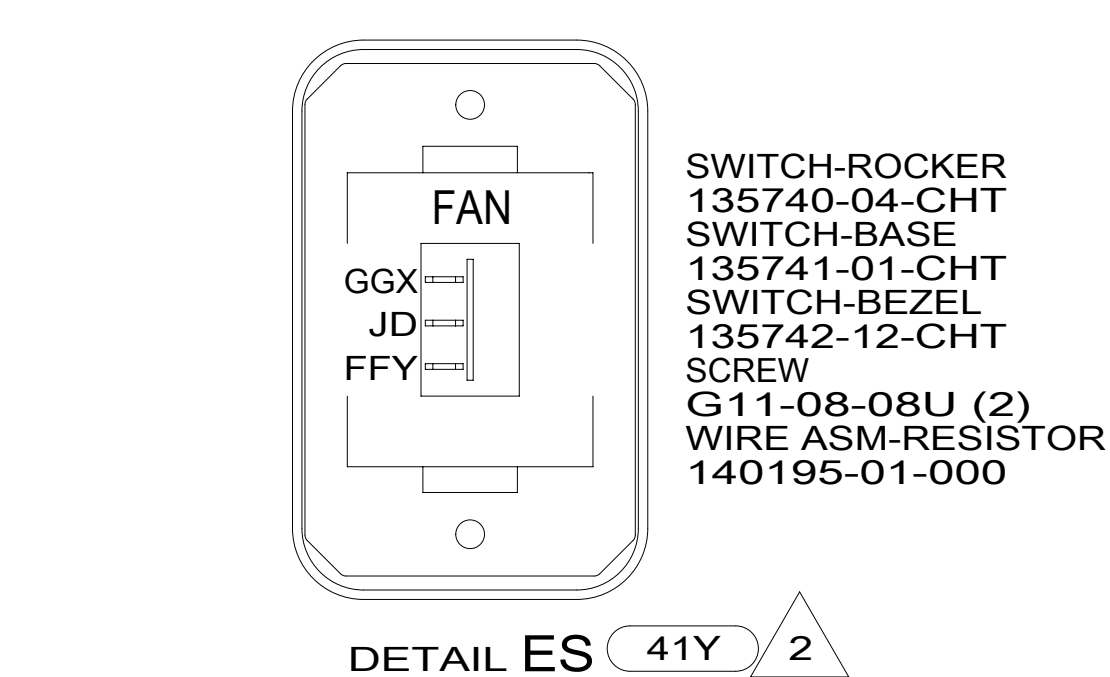
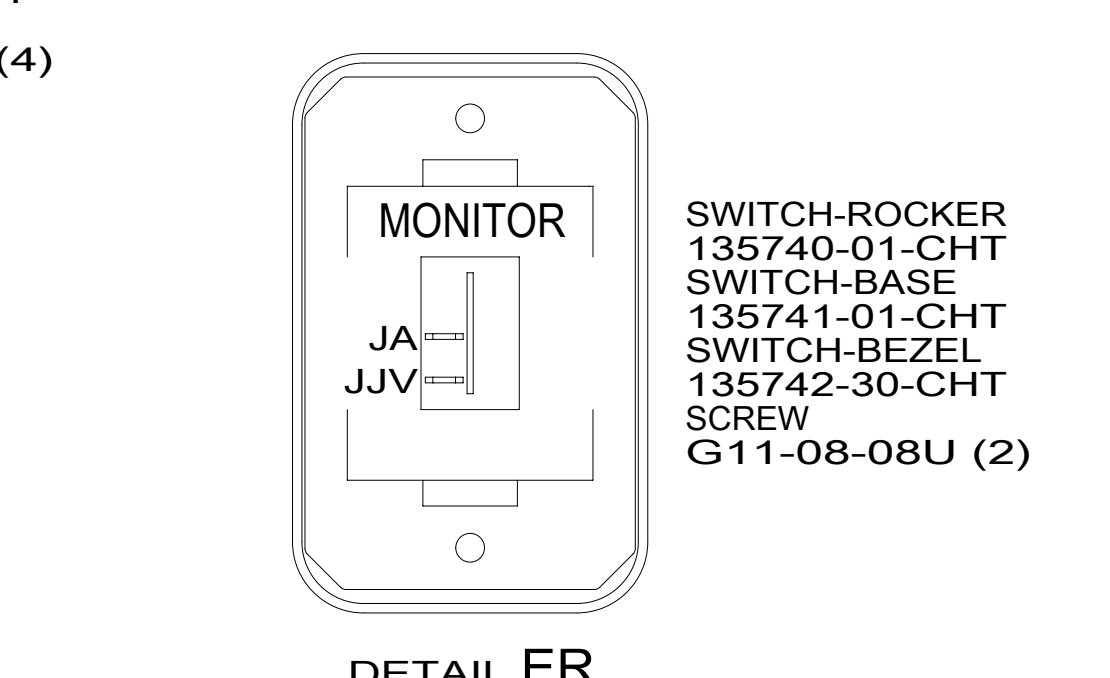
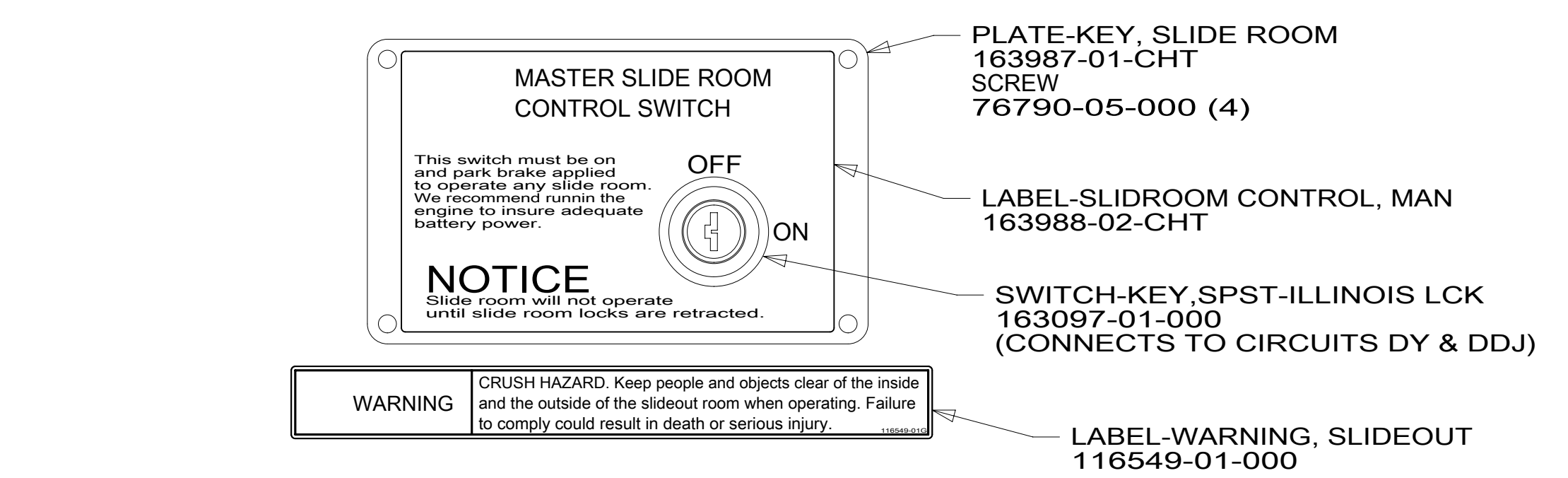
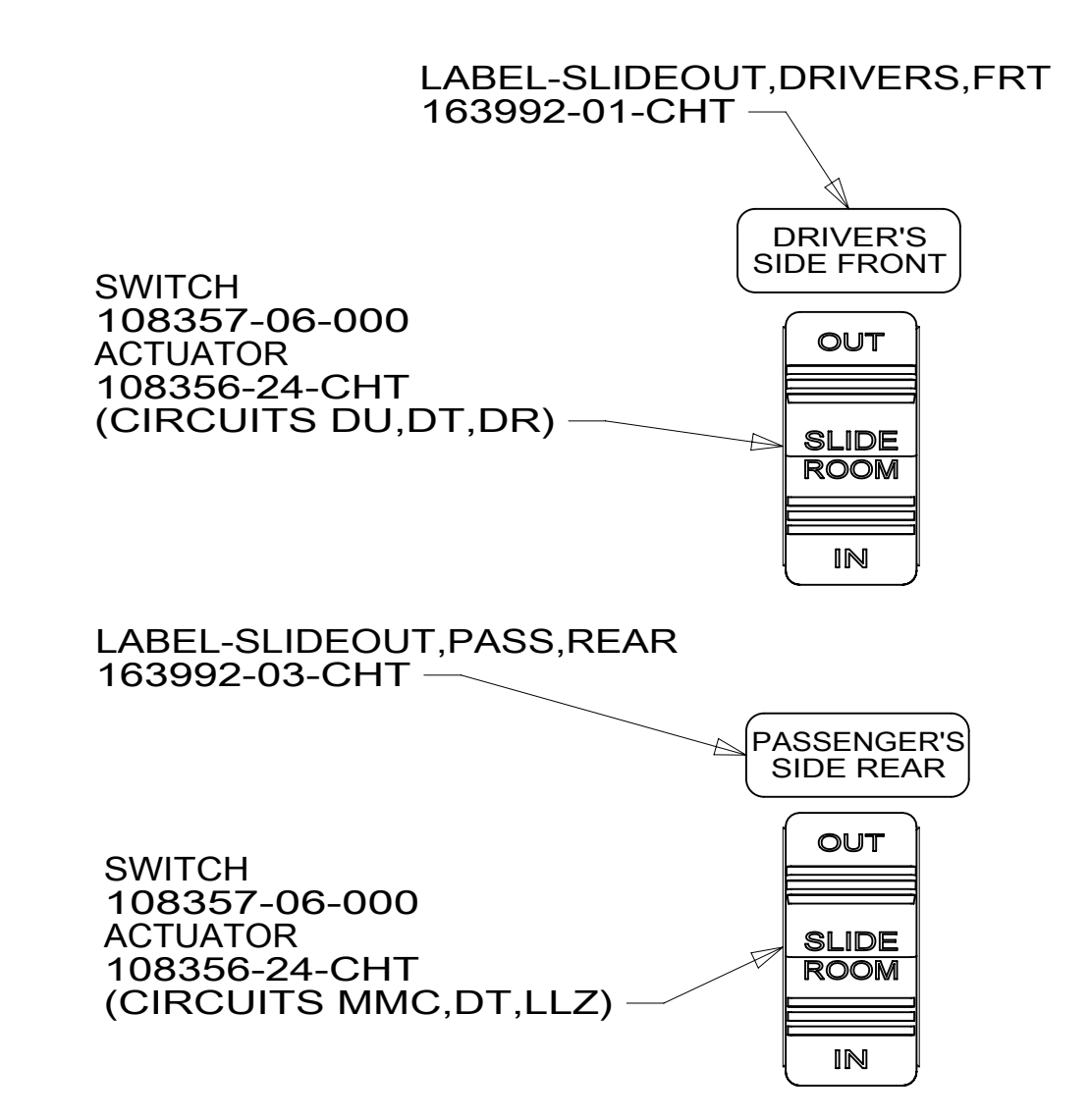
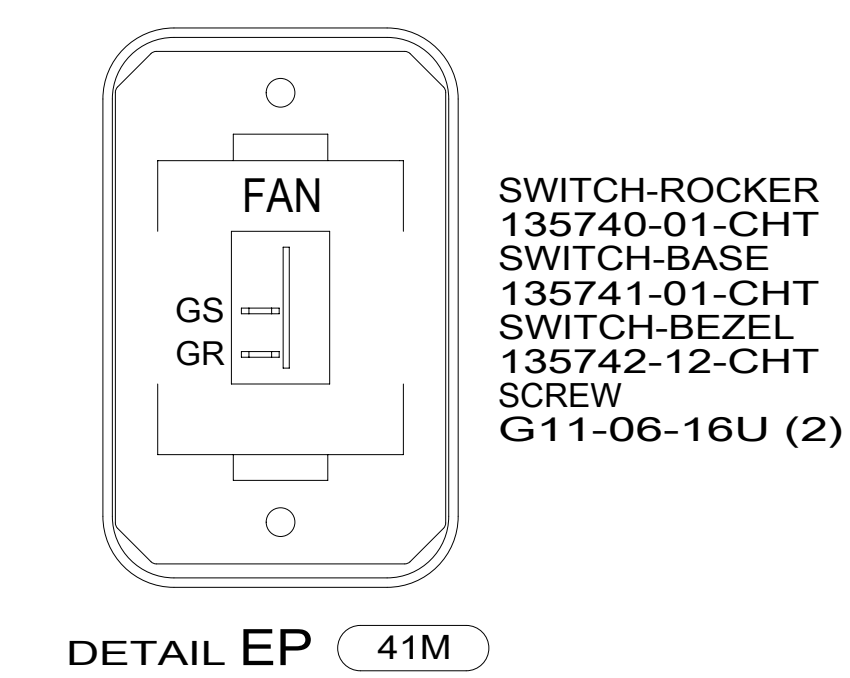
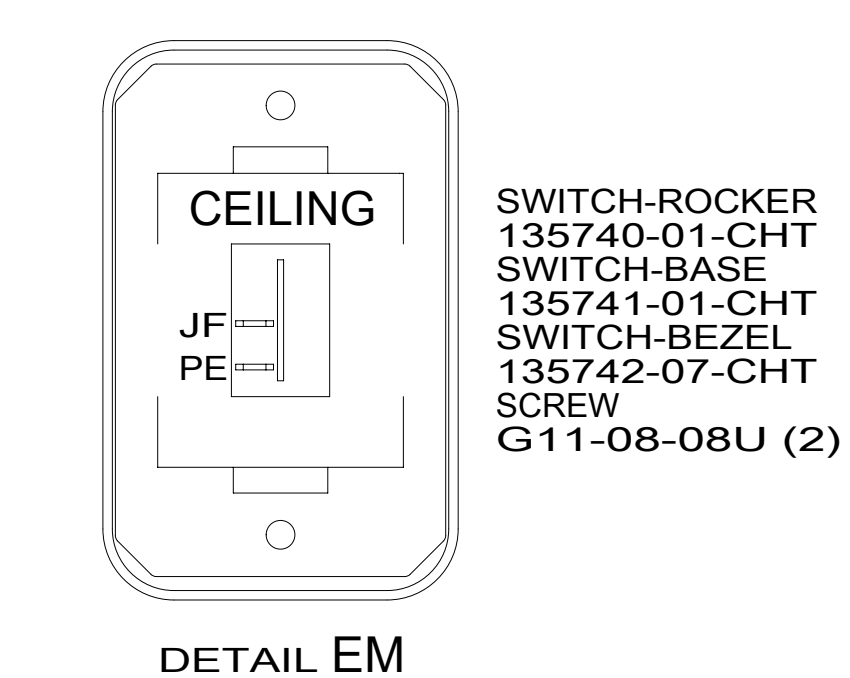
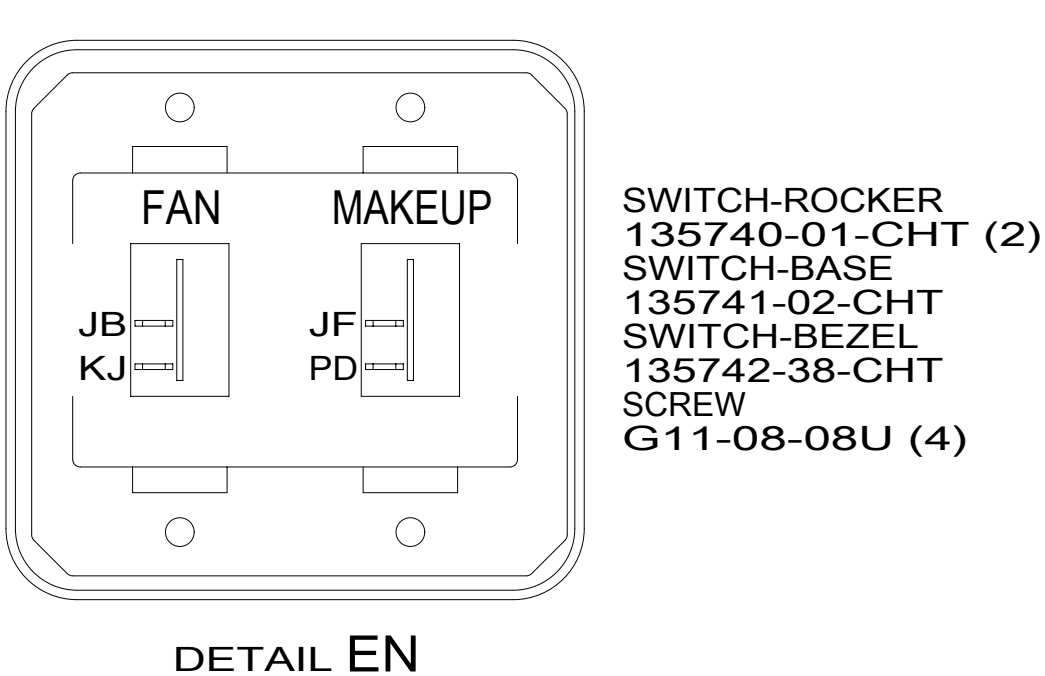
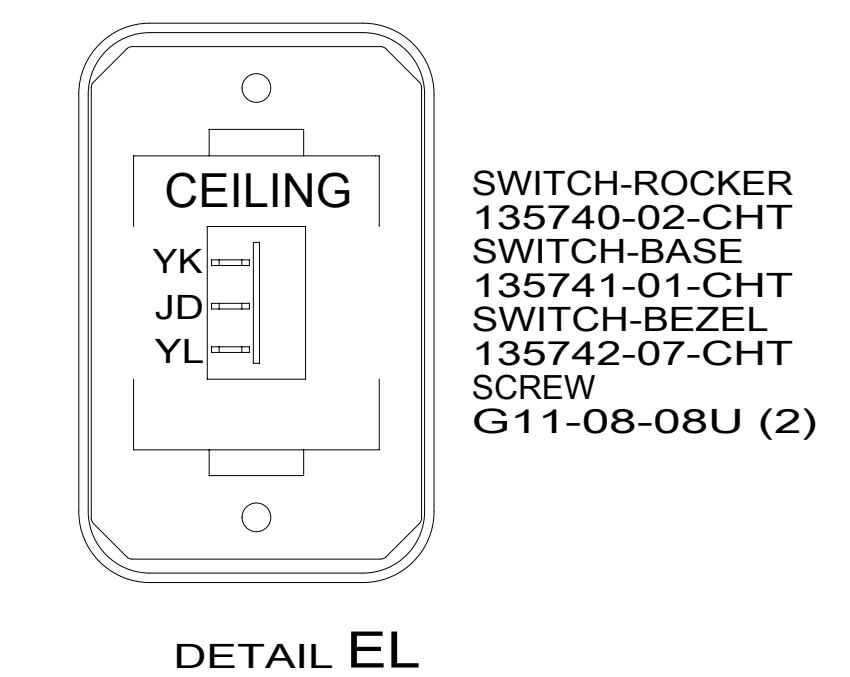
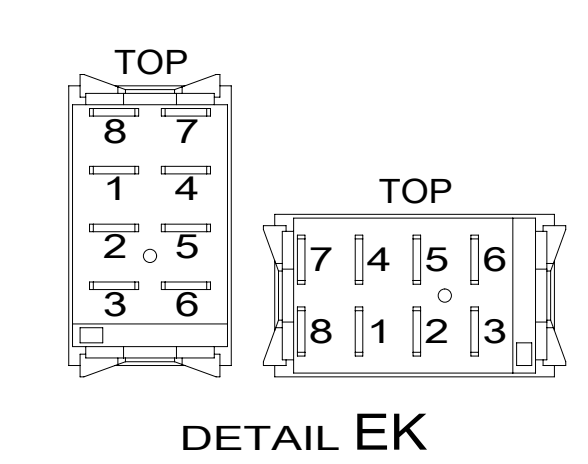
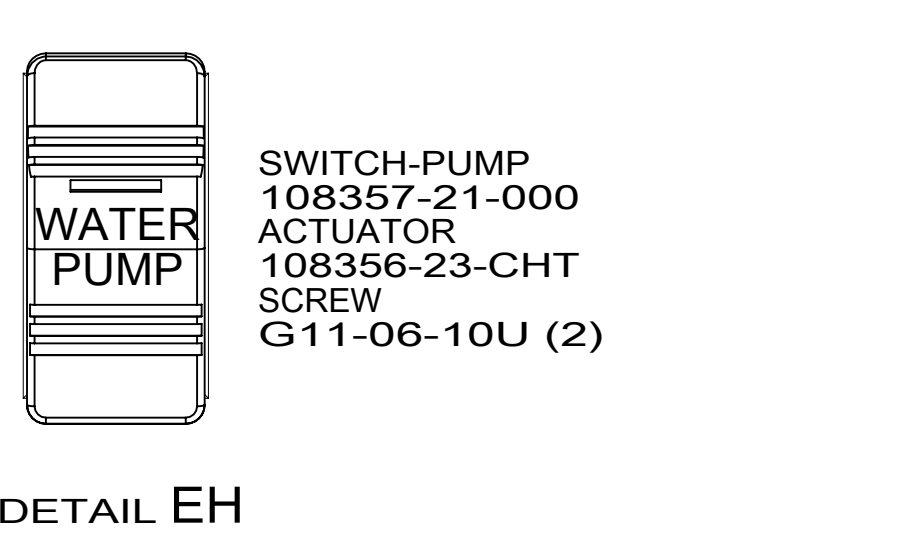
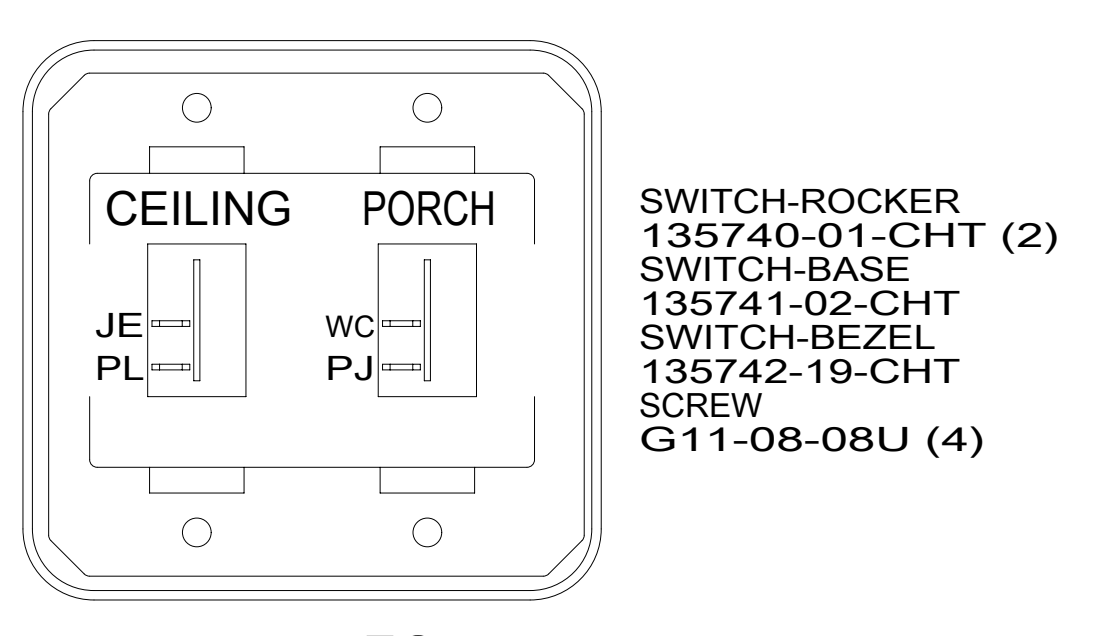
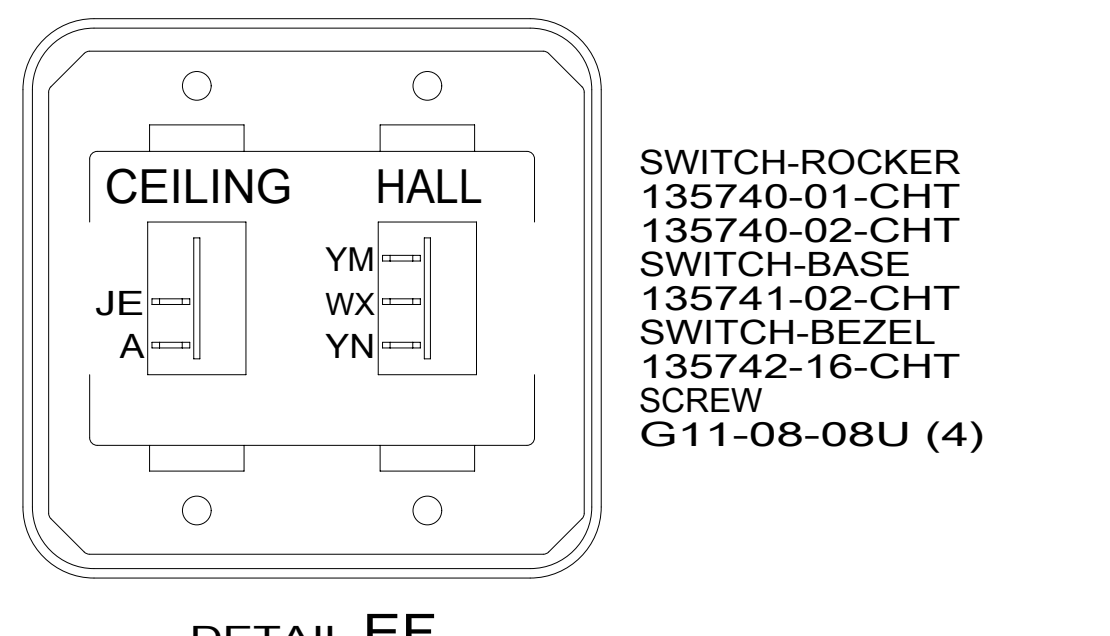


3 FOR SWITCH ORIENTATION SEE DETAIL EK.

2 CONNECT WIRE ASM-RESISTER FAN TO 2-PIN HOUSING ON WIRE ASM LOCATED BY SWITCHES.

1. SWITCHES ARE TO BE INSTALLED AS SHOWN ON THIS DRAWING.

NOTES:



FOR ELECTRICAL
TORQUE
SPECIFICATIONS
SEE DWG NO.
128783-01-000

FOR
ELECTRICAL
CALLOUTS
SEE DWG NO.
121339-01-000

- 41Y FAN - CEILING_BEDROOM
- 41M VENT-POWER VENTILATOR
- 52N AWNING - PATIO, ELECTRIC
- 265 CODES/STANDARDS-CSA/CMVSS
- 1B1 CODES/STANDARDS USA

FIRST USED		14 J32H	
DO NOT SCALE DRAWING			
TITLE: WIRING INSTL-BODY, 12V			
SHEET 5	PART NO	186550	REV
			19-Nov-2014

*186550

SPEAKER-ROUND,CEILING
160867-01-CHT (2)
SCREW
000G12-08-12U (8)

LIGHT-HALOGEN
146048-01-000
SCREW
SUPPLIED WITH LIGHT

FAN-CEILING
139134-01-CHT
SCREW
G11-10-16U (3)
CONNECTOR
58028-01-000 (2)
DETAIL FA

WASHER-PLASTIC
180671-02-CHT (5)
SCREW
G11-08-08U (10)

SWITCH-FAN,
REVERSING

WIRE ASM-ROOF
RED-FFY
BLK-KKZ

CONNECT MOTOR BLU TO SWITCH BLU
AND MOTOR BLK TO SWITCH BLK

DETAIL FA

- NOTES:
- 4 CENTER FAN OVER 25MM HOLE IN ROOF.
 - 3 APPLY LOCTITE P/N 62917-06-000 TO FAN BLADE MOUNTING NUT THREADS.
 - 2 LAMP LOCATED IN SERVICE COMPARTMENT.
 - 1 LAMP LOCATED IN POWER CORD COMPARTMENT.

FOR ELECTRICAL
TORQUE
SPECIFICATIONS
SEE DWG NO.
128783-01-000

FOR
ELECTRICAL
CALLOUTS
SEE DWG NO.
121339-01-000

- 41Y FAN - CEILING_BEDROOM
- 265 CODES/STANDARDS-CSA/CMVSS
- 1B1 CODES/STANDARDS USA

FIRST USED	
14 J32H	
DO NOT SCALE DRAWING	
TITLE: WIRING INSTL-BODY, 12V	
SHEET 6	PART NO. 186550 REV
19-Nov-2014	

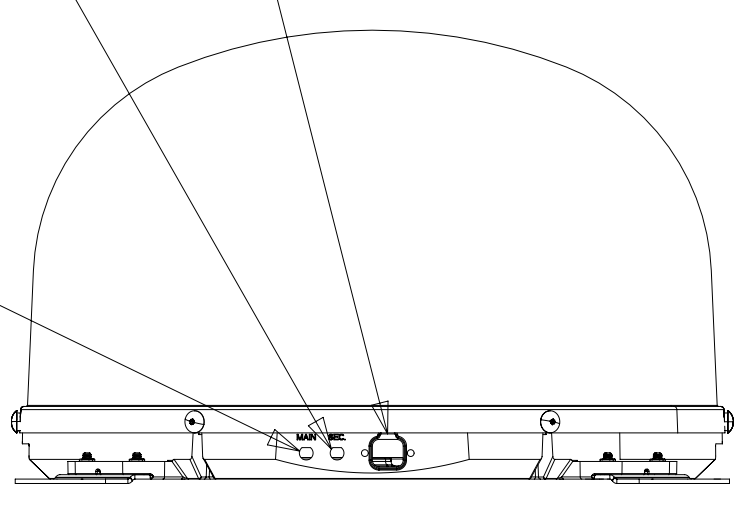
*186550 *A

THE SATELLITE DISH WIRE CONNECTIONS ARE TO BE PLACED ON THE CENTERLINE OF THE MOTORHOME FACING FORWARD

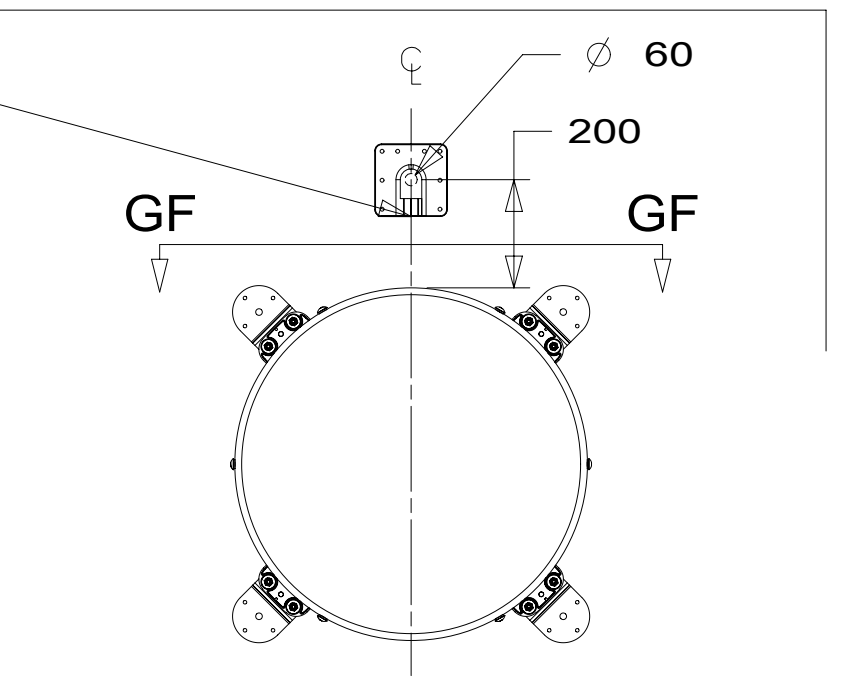
CONNECT 2-PIN HOUSING FROM ROOF ASM TO SATELLITE DISH HERE AND ADD CONVOLUTED TUBING

CONNECT CABLE ASM COAX (ORG-2) FROM ROOF ASM TO SEC INPUT ON SATELLITE DISH

CONNECT CABLE ASM COAX (ORG) FROM ROOF ASM TO MAIN INPUT ON SATELLITE DISH

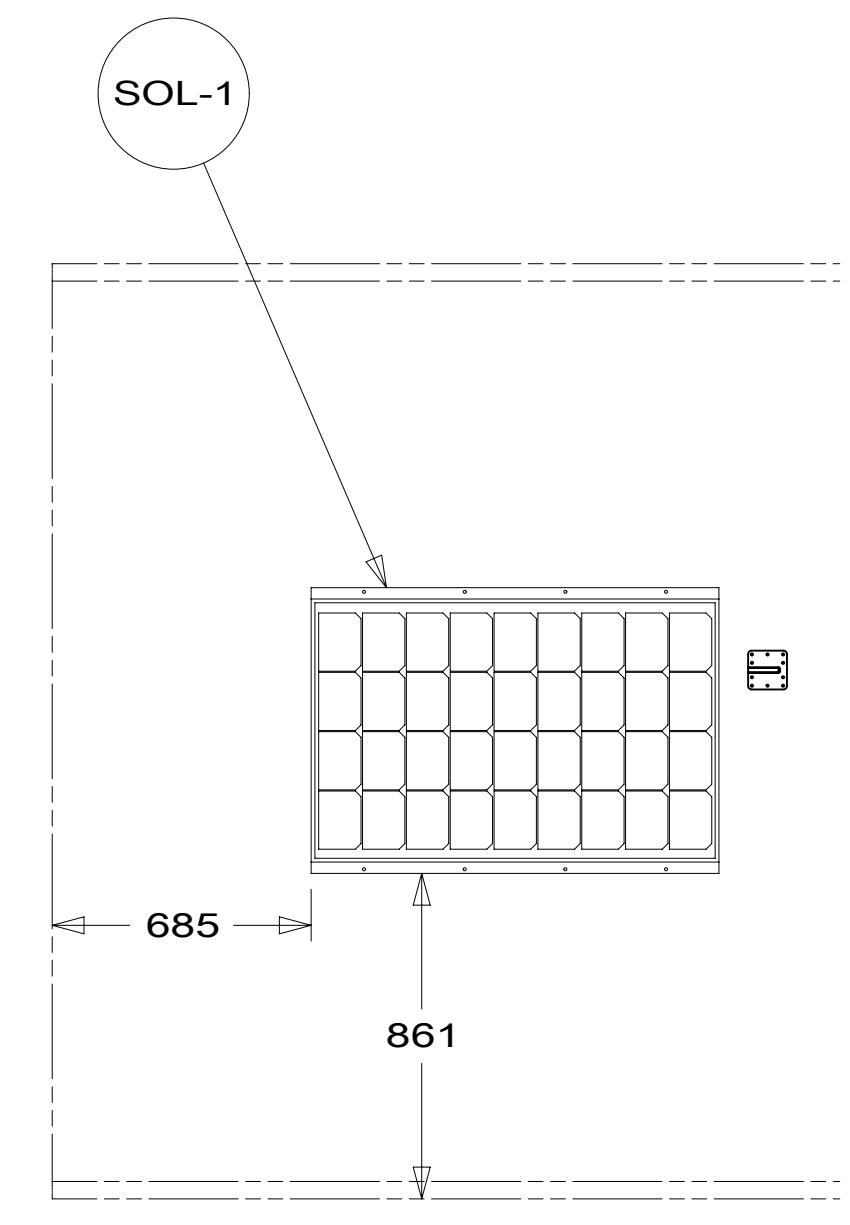
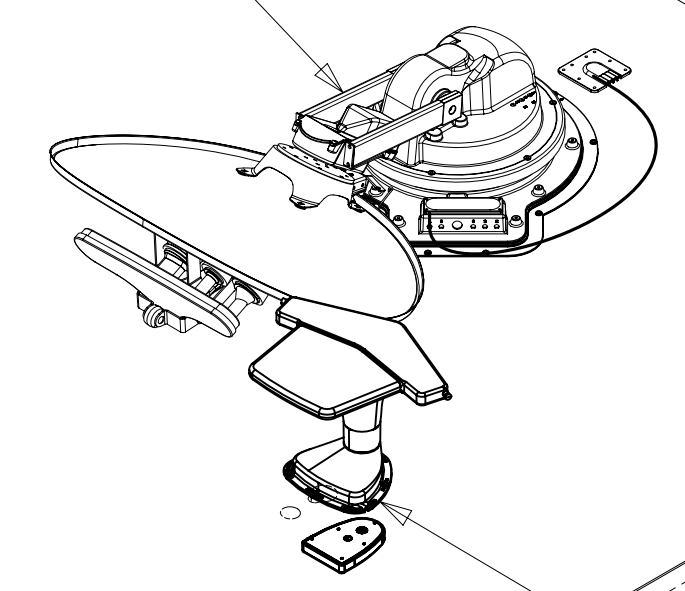


VIEW GF-GF



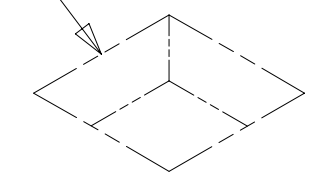
DETAIL GE 2

- 1 783 DA-4
DETAIL GA
- 1 48P DI-3
DETAIL GE



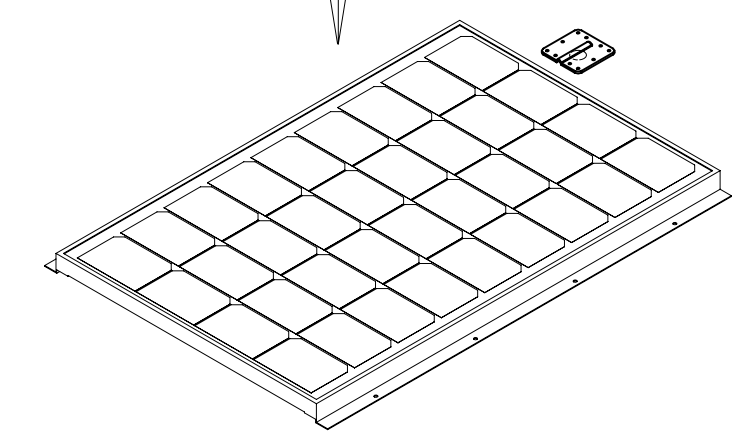
DETAIL GB

GALLEY VENT
DETAIL GC

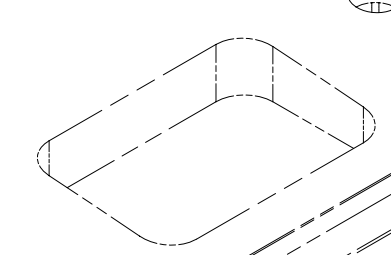


ANT-5 1

GB



BATH VENT
DETAIL GD

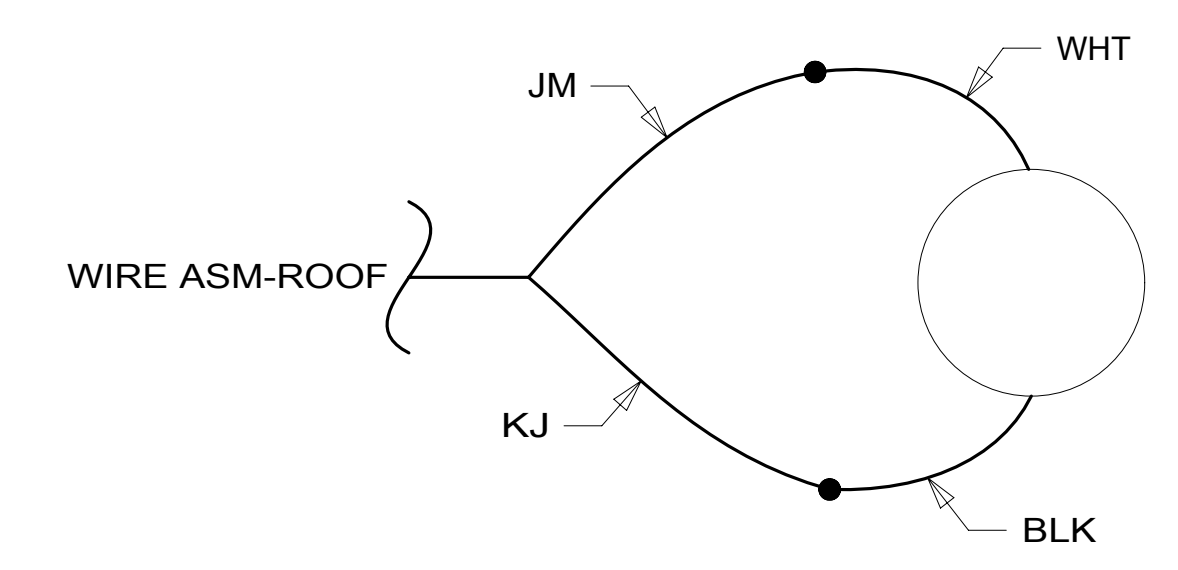


THE SATELLITE DISH AND WIRE CONNECTIONS ARE TO BE PLACED ON THE CENTERLINE OF THE MOTORHOME FACING FORWARD.

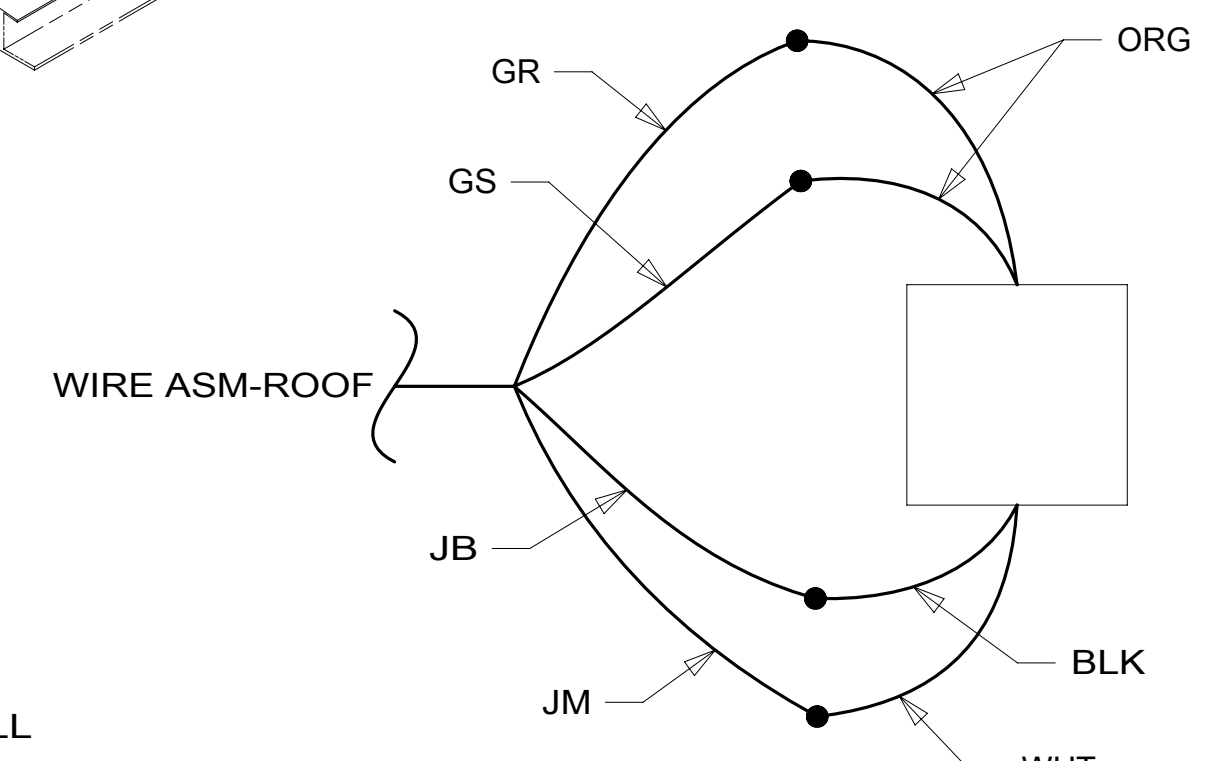
SEPARATE CABLES AND INSTALL WIRE COVER OVER HOLE IN ROOF ASM WITH CABLES EXITING ON PASSENGERS SIDE.

WHEN APPLYING ROOF SEALANT TO SATELLITE DISH, PLACE ROOF SEALANT HERE (APPROXIMATELY 75MM WIDE) AND PUSH THE CABLES INTO THE SEALANT TO STABILIZE THEM.

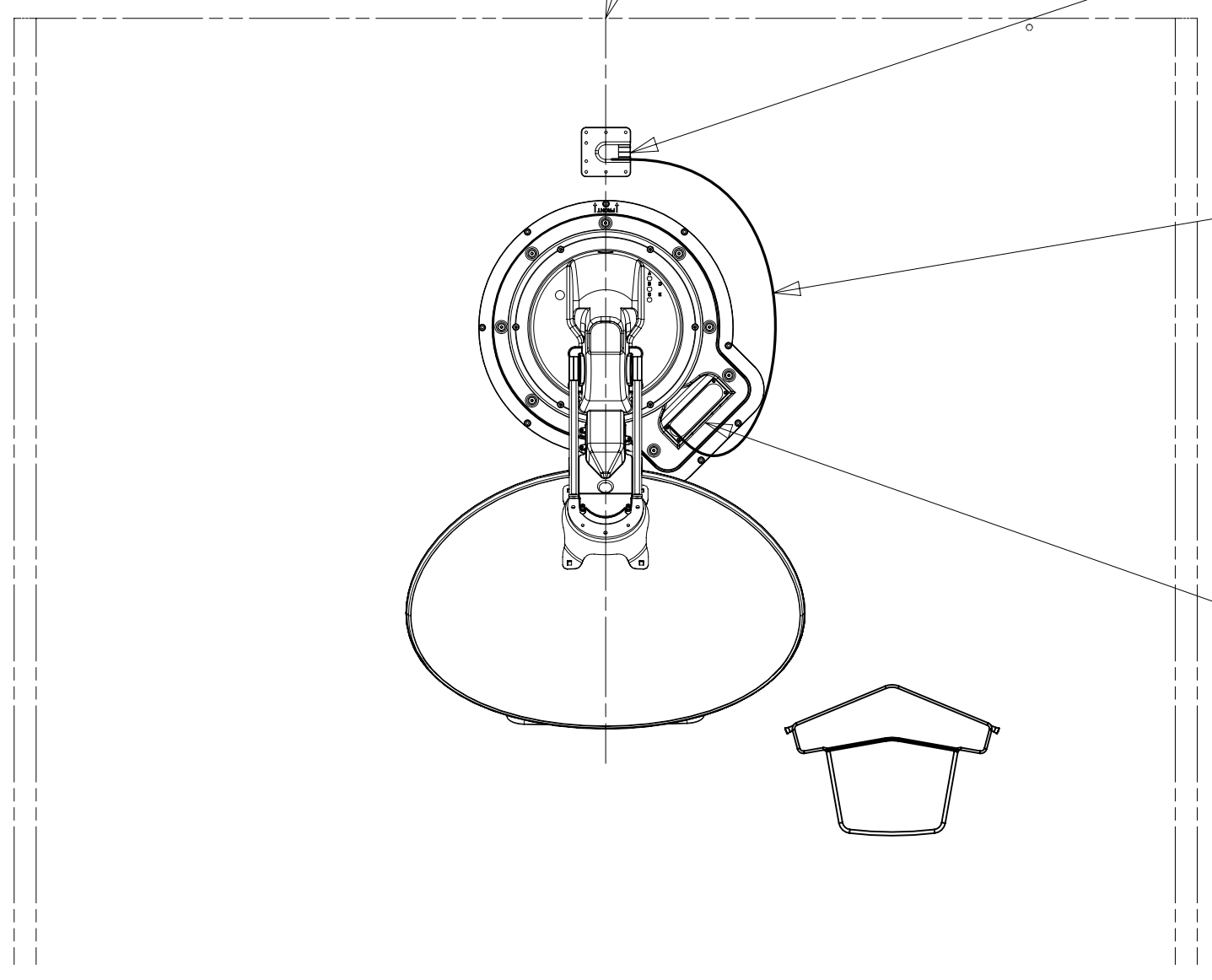
CONNECT CABLE ASM-COAX FROM ROOF ASM TO COAX CABLES ON SATELLITE DISH AND CONNECT 10' CABLE-DATA FROM ROOF ASM TO DATA CABLE FROM SATELLITE DISH AND PLACE ALL CONNECTIONS BACK INTO ROOF ASM.



DETAIL GD



DETAIL GC 41M



DETAIL GA

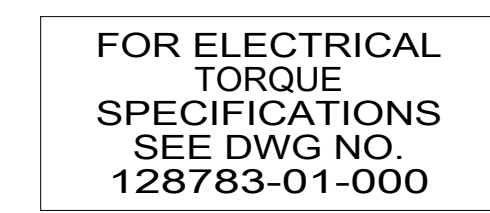
- NOTES:
- 2 REMOVE ALL SHIPPING RESTRAINTS AND INSTALL AS SPECIFIED IN THE INSTALLATION PROCESS.
 - 1 SEE ANTENNA INSTALLATION MANUAL FOR CORRECT INSTALLATION PROCEDURE.

- 783 SATELLITE HD TV SYSTEM AUTOC
- 48P SAT TV SYSTEM IN-MOTION
- 41M VENT-POWER VENTILATOR
- 25D STEREO SYSTEM/W/CD/DVD REAR
- 78K SATELLITE DISH-AUTOMATIC
- 48Q SATELLITE DISH & ELEV.SENSOR
- 29Q SOLAR PANEL-10 WATT
- 1D3 ENTERTAIN CENTR/EXT TV-DVD
- 265 CODES/STANDARDS-CSA/CMVSS
- 1B1 CODES/STANDARDS USA

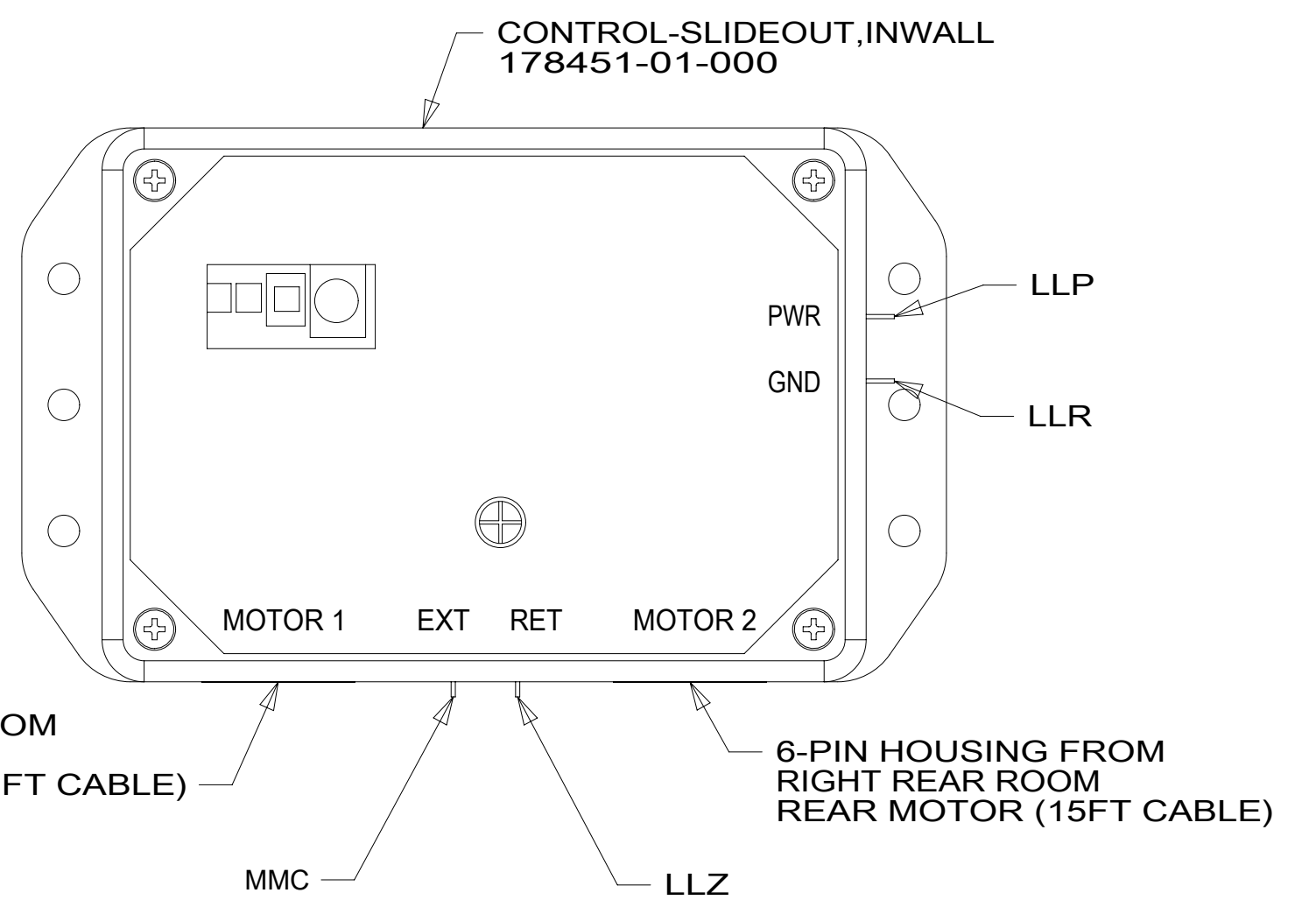
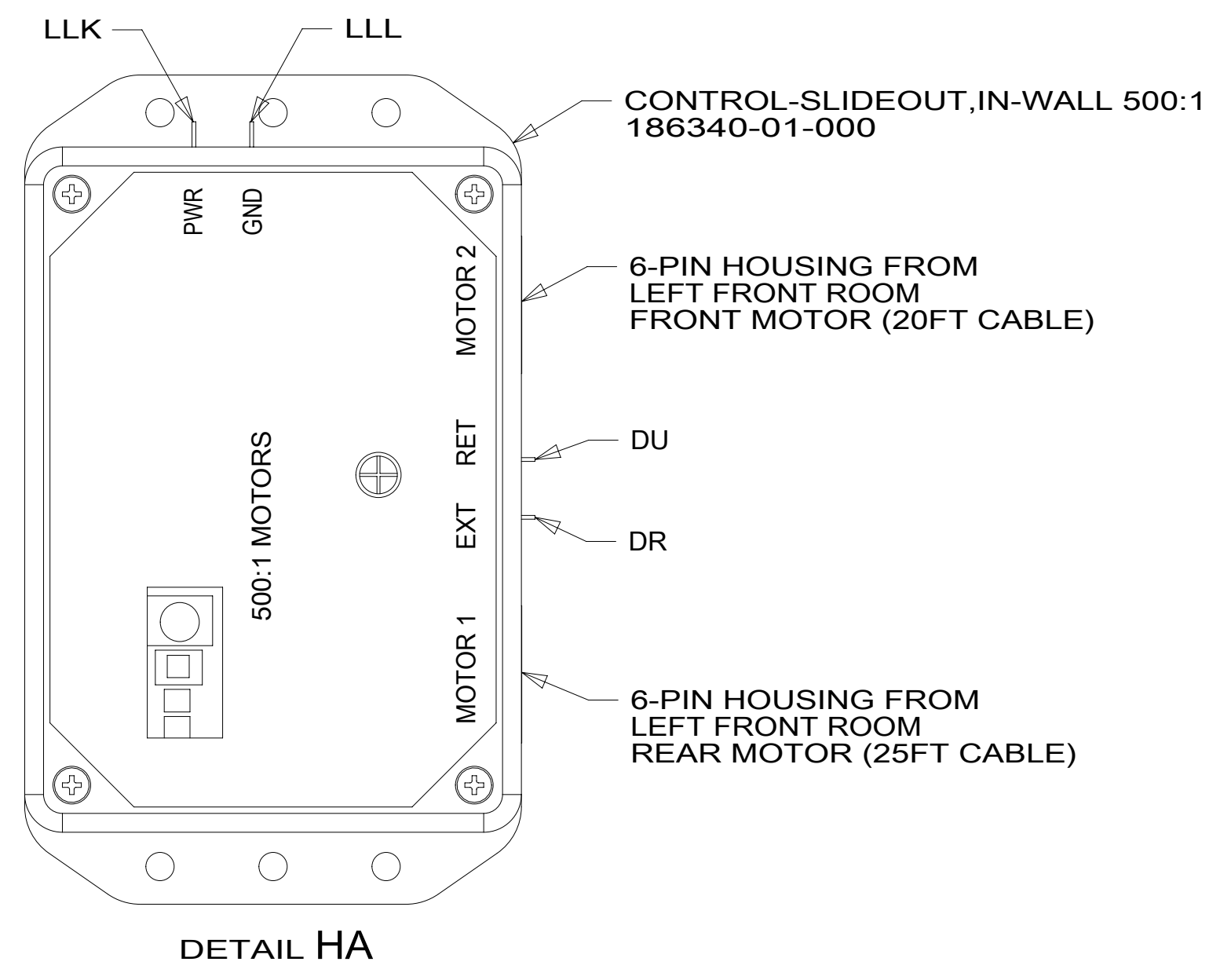
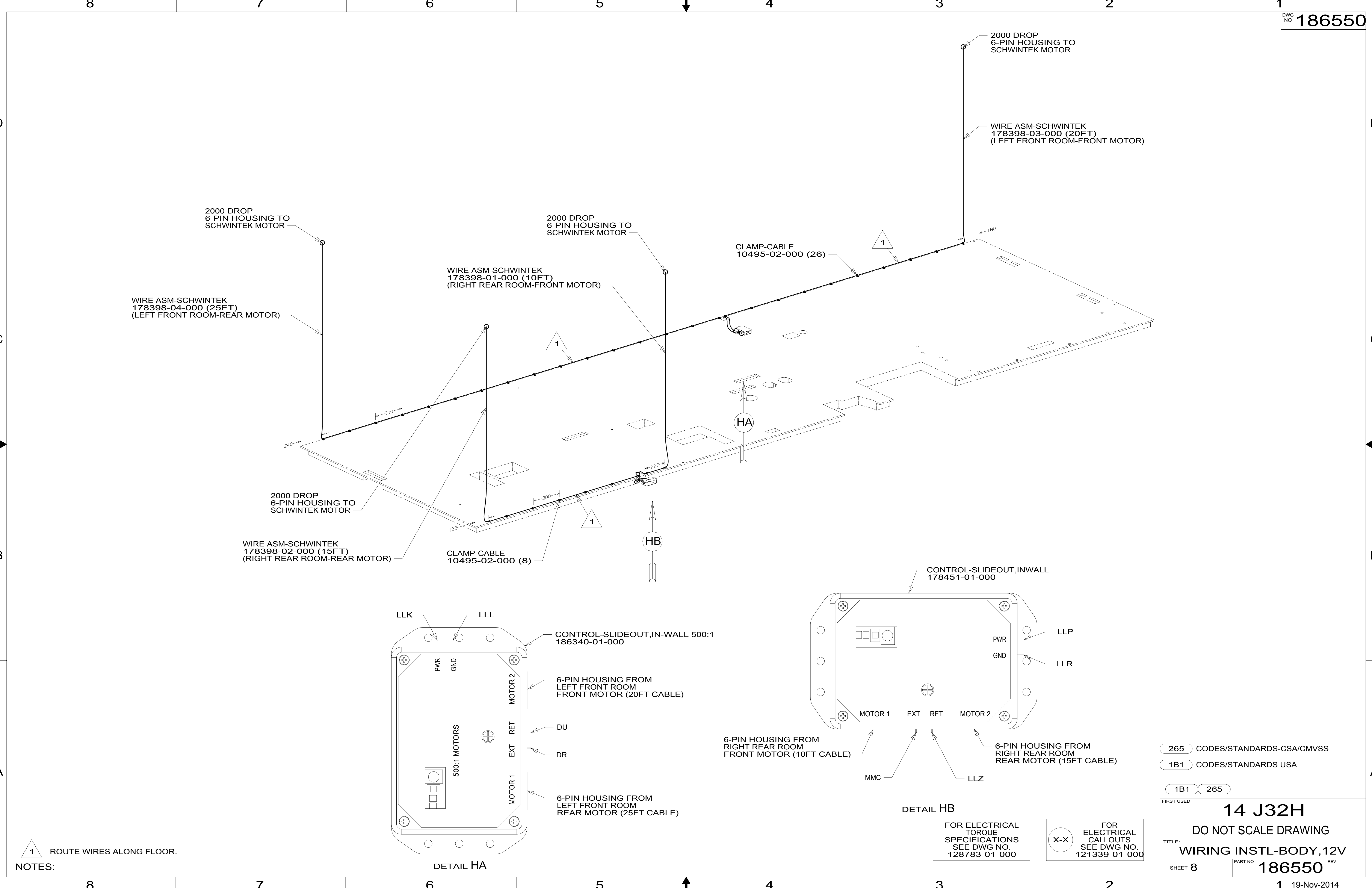
1B1	265
FIRST USED	
14 J32H	
DO NOT SCALE DRAWING	
TITLE: WIRING INSTL-BODY, 12V	
SHEET 7	PART NO. 186550 REV

FOR ELECTRICAL TORQUE SPECIFICATIONS SEE DWG NO. 128783-01-000

FOR ELECTRICAL CALLOUTS SEE DWG NO. 121339-01-000



*186550 *A



1 ROUTE WIRES ALONG FLOOR.
NOTES:

FOR ELECTRICAL TORQUE SPECIFICATIONS SEE DWG NO. 128783-01-000

FOR ELECTRICAL CALLOUTS SEE DWG NO. 121339-01-000

- 265 CODES/STANDARDS-CSA/CMVSS
- 1B1 CODES/STANDARDS USA
- 1B1 265

FIRST USED	
14 J32H	
DO NOT SCALE DRAWING	
TITLE: WIRING INSTL-BODY, 12V	
SHEET 8	PART NO 186550 REV
1 19-Nov-2014	

*186550 *A