



DANGER

Danger of electrical shock, burns or death. Always remove all power sources before attempting any repair, service or diagnostic work. Power can be present from shore power, generator, inverter or battery. All power sources must be disabled and secured before performing any service.

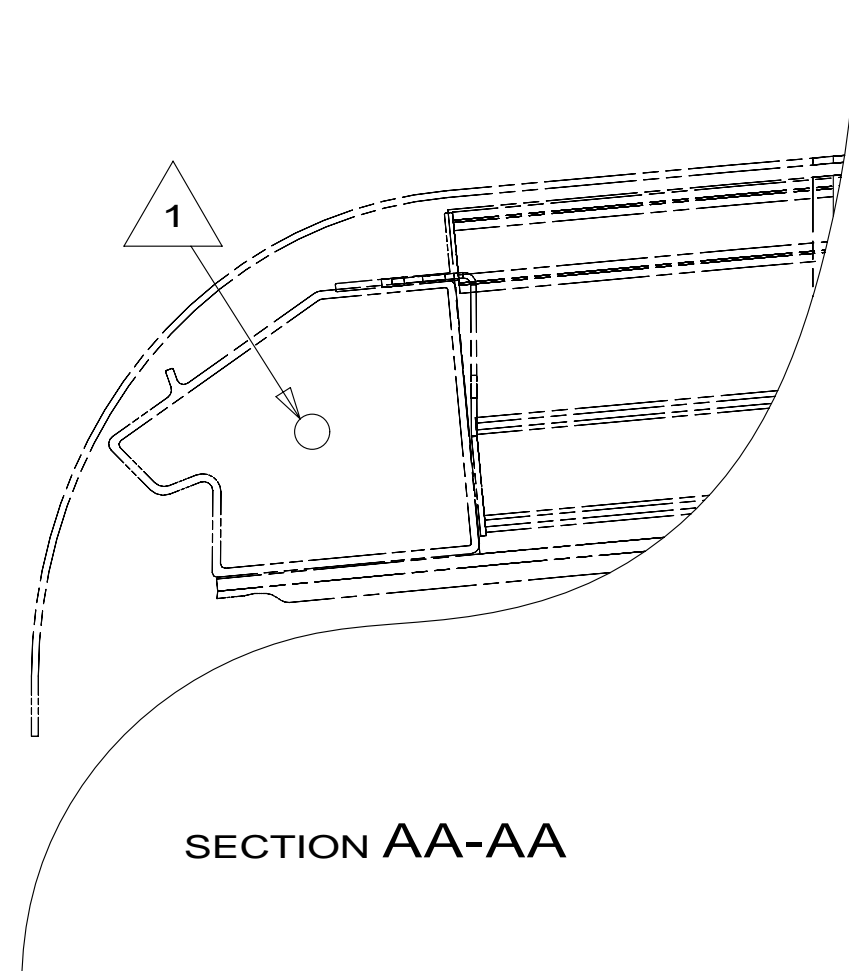
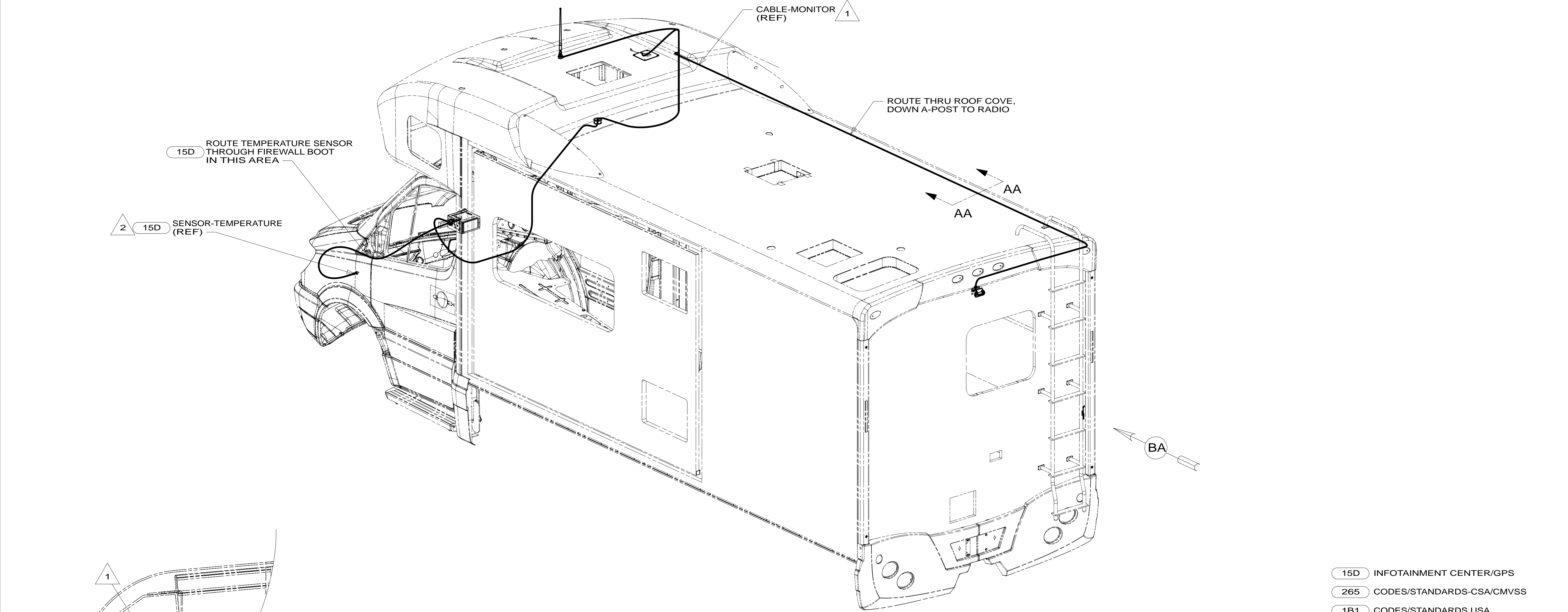


CAUTION

If you lack the skills, tools or equipment to perform diagnostic or repair work leave such work to an authorized Winnebago Industries dealer or other qualified shop.

8	7	
DRAWING NO.	MODEL	SHEETS
186447-01	524V,524J,524M	1,2,5,6,7
186447-02	524G	3,4,5,6,7

RELEASE	REV/DATE	DWG NO	186447
REV ZONE	REVISION RECORD	DATE	DTR-ORIG



- 15D INFOTAINMENT CENTER/GPS
- 265 CODES/STANDARDS-CSA/CMVSS
- 1B1 CODES/STANDARDS USA

1B1 265



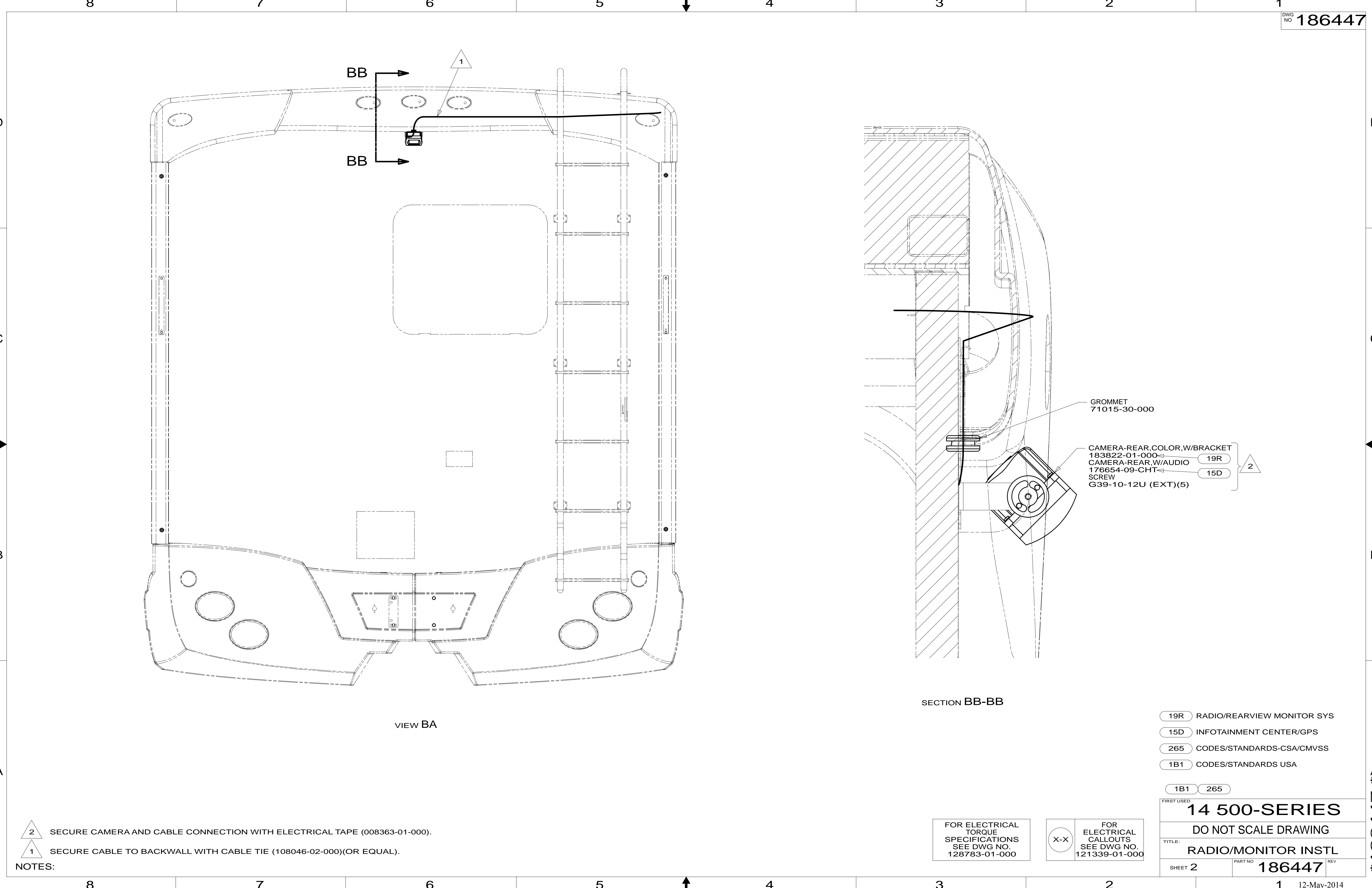
DTR	ORIG. DATE
CHKR	ALL DIMENSIONS ARE IN MILLIMETERS
P.E.	FIRST USED
M.E.	14 500-SERIES
DSNR	MATERIAL:
UNSPECIFIED TOLERANCES ARE:	
WHOLE DIM (X)	: 3
ONE-PLACE (X.X)	: 1.5
TWO-PLACE (X.XX)	: 0.50
ANGLE	: 1°
THIRD ANGLE PROJECTION	
DO NOT SCALE DRAWING	REFER TO ES0018 FOR FASTENER TIGHTENING GUIDELINES
TITLE: RADIO/MONITOR INSTL	
SHEET 1 OF 7	PART NO 186447 REV

- NOTES:
- 2 DRILL 16MM HOLE THROUGH BUMPER COVER BEHIND LICENSE PLATE BRACKET AND INSTALL SENSOR.
 - 1 RUN MONITOR CABLE IN ROOF COVE ON LEFT SIDE OF COACH.

FOR ELECTRICAL TORQUE SPECIFICATIONS SEE DWG NO. 128783-01-000

FOR ELECTRICAL CALLOUTS SEE DWG NO. 121339-01-000

* 186447 * A



VIEW BA

SECTION BB-BB

- GROMMET
71015-30-000
- CAMERA-REAR,COLOR,W/BRACKET
183822-01-000
- CAMERA-REAR,W/AUDIO 19R
- 176654-09-CHT 15D
- SCREW
G39-10-12U (EXT)(5)

- 19R RADIO/REARVIEW MONITOR SYS
- 15D INFOTAINMENT CENTER/GPS
- 265 CODES/STANDARDS-CSA/CMVSS
- 1B1 CODES/STANDARDS USA

1B1 265

FIRST USED
14 500-SERIES

DO NOT SCALE DRAWING

TITLE: **RADIO/MONITOR INSTL**

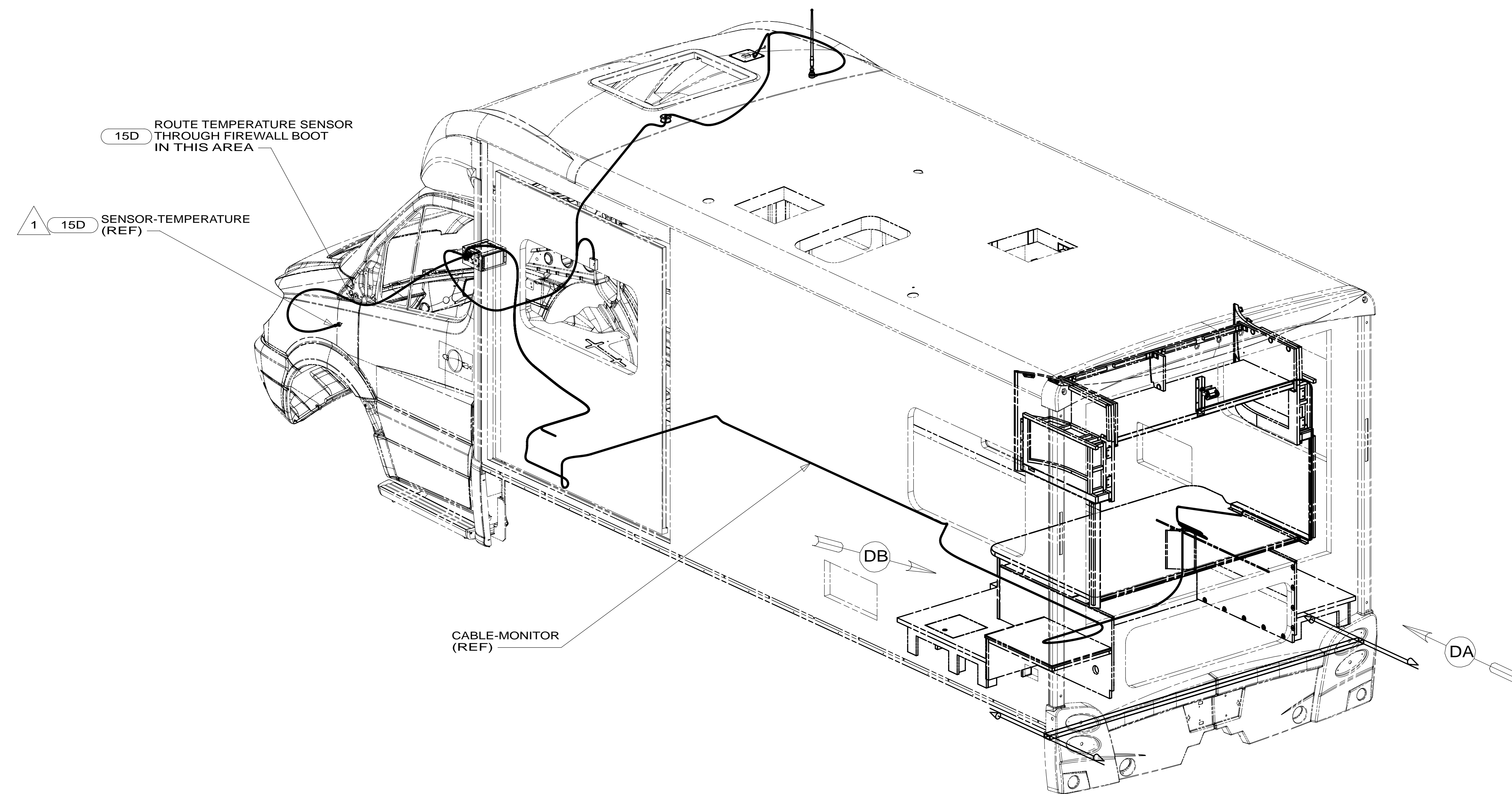
SHEET 2 PART NO **186447** REV

- NOTES:
- 2 SECURE CAMERA AND CABLE CONNECTION WITH ELECTRICAL TAPE (008363-01-000).
 - 1 SECURE CABLE TO BACKWALL WITH CABLE TIE (108046-02-000)(OR EQUAL).

FOR ELECTRICAL
TORQUE
SPECIFICATIONS
SEE DWG NO.
128783-01-000

FOR
ELECTRICAL
CALLOUTS
SEE DWG NO.
121339-01-000

* 186447 * A



1 DRILL 16MM HOLE THROUGH BUMPER COVER BEHIND LICENSE PLATE BRACKET AND INSTALL SENSOR.

NOTES:

- 15D INFOTAINMENT CENTER/GPS
- 265 CODES/STANDARDS-CSA/CMVSS
- 1B1 CODES/STANDARDS USA

1B1 265

FIRST USED
14 500-SERIES

DO NOT SCALE DRAWING

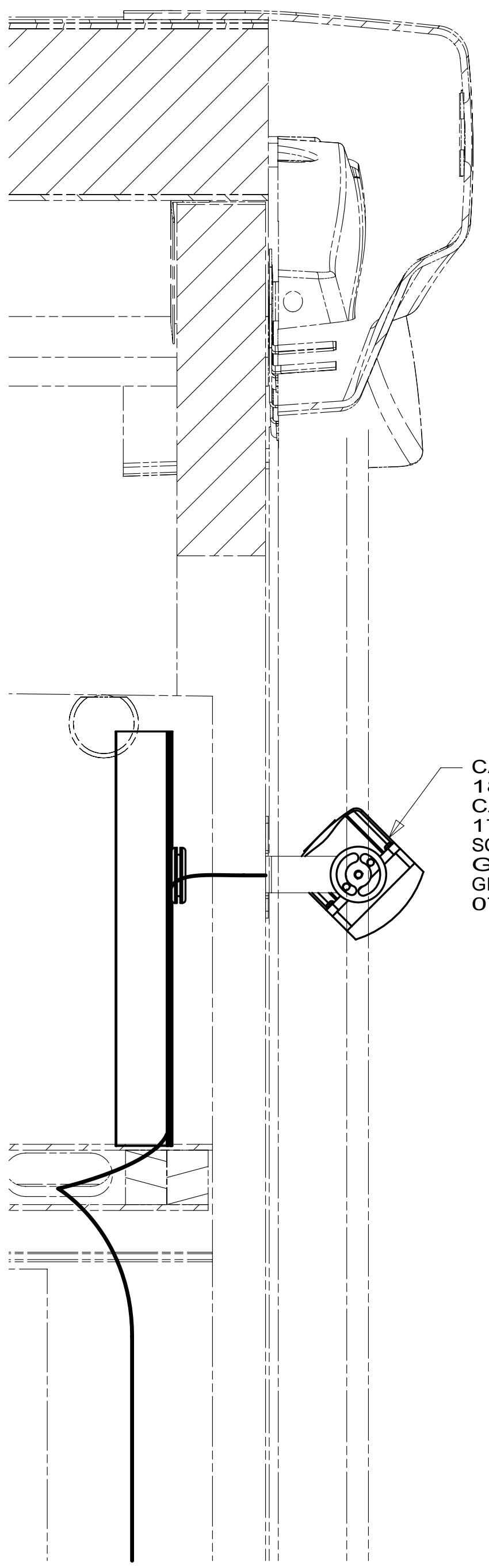
TITLE: **RADIO/MONITOR INSTL**

SHEET 3 PART NO **186447** REV

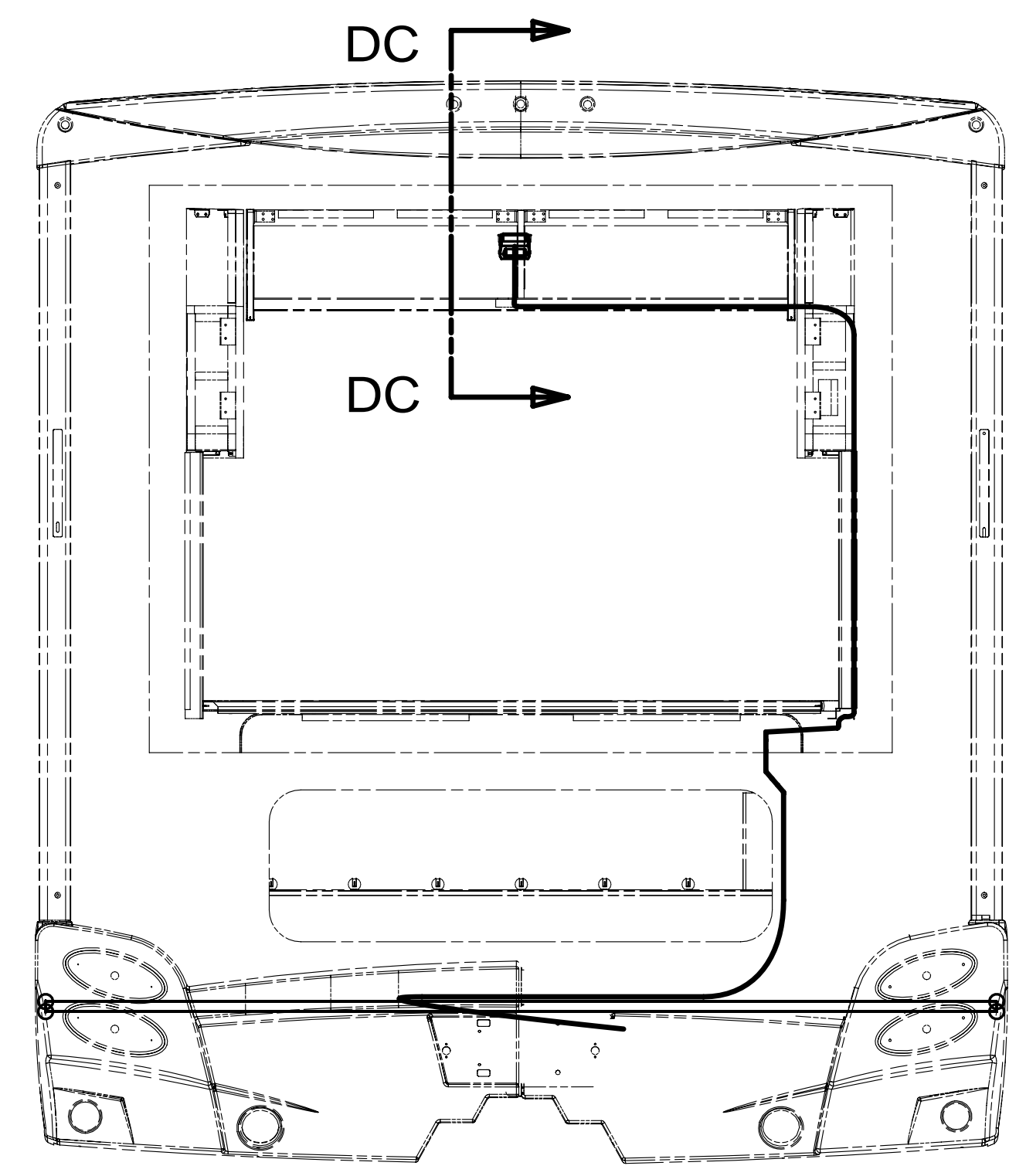
FOR ELECTRICAL TORQUE SPECIFICATIONS SEE DWG NO. 128783-01-000

X-X FOR ELECTRICAL CALLOUTS SEE DWG NO. 121339-01-000

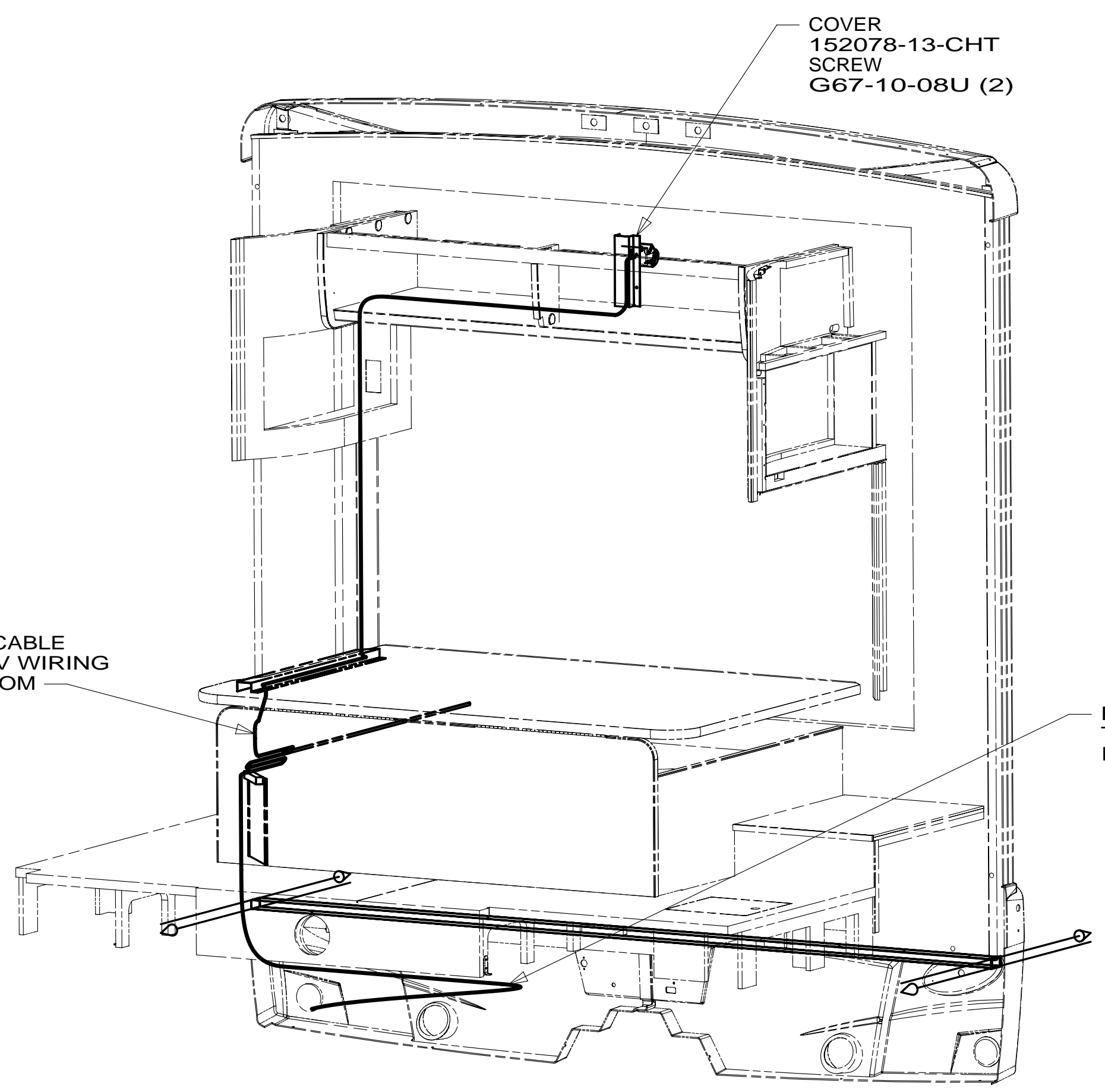
* 186447 * A



- CAMERA-REAR,COLOR,W/BRACKET 183822-01-000
- CAMERA-REAR,W/AUDIO 19R
- 176654-09-CHT 15D
- SCREW G39-10-12U (EXT)(5)
- GROMMET 071015-46-000



VIEW DA



- COVER 152078-13-CHT
- SCREW G67-10-08U (2)

ROUTE CAMERA CABLE ALONG WITH 12V WIRING TO SLIDEOUT ROOM

ROUTE CAMERA CABLE THROUGH FLOOR IN THIS AREA

SECTION DC-DC

VIEW DB

NOTES:
 1 SECURE CAMERA AND CABLE CONNECTION WITH ELECTRICAL TAPE (008363-01-000).

- 19R RADIO/REARVIEW MONITOR SYS
- 15D INFOTAINMENT CENTER/GPS
- 265 CODES/STANDARDS-CSA/CMVSS
- 1B1 CODES/STANDARDS USA

1B1 265

FIRST USED
14 500-SERIES

DO NOT SCALE DRAWING

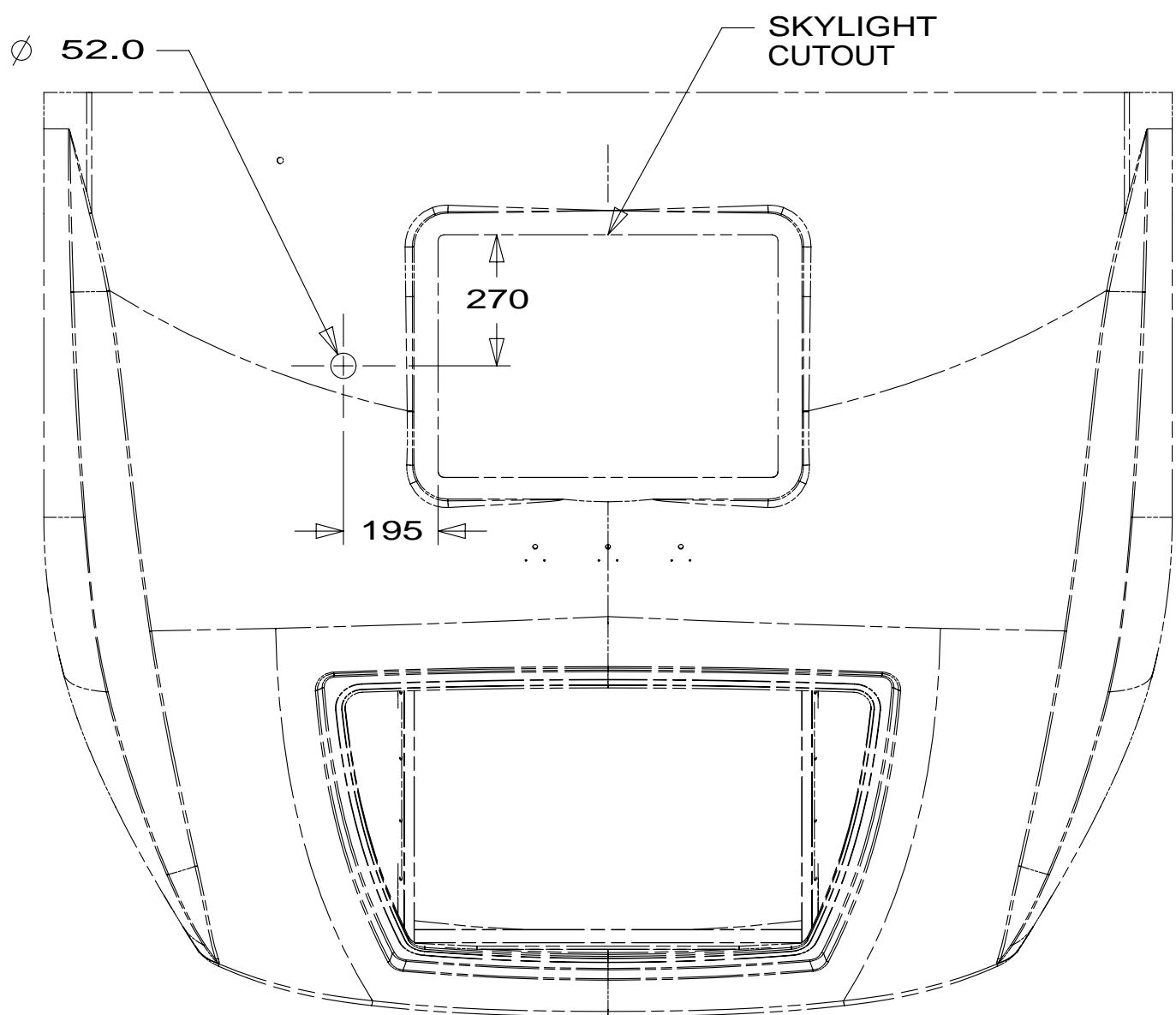
TITLE: **RADIO/MONITOR INSTL**

SHEET 4 PART NO **186447** REV

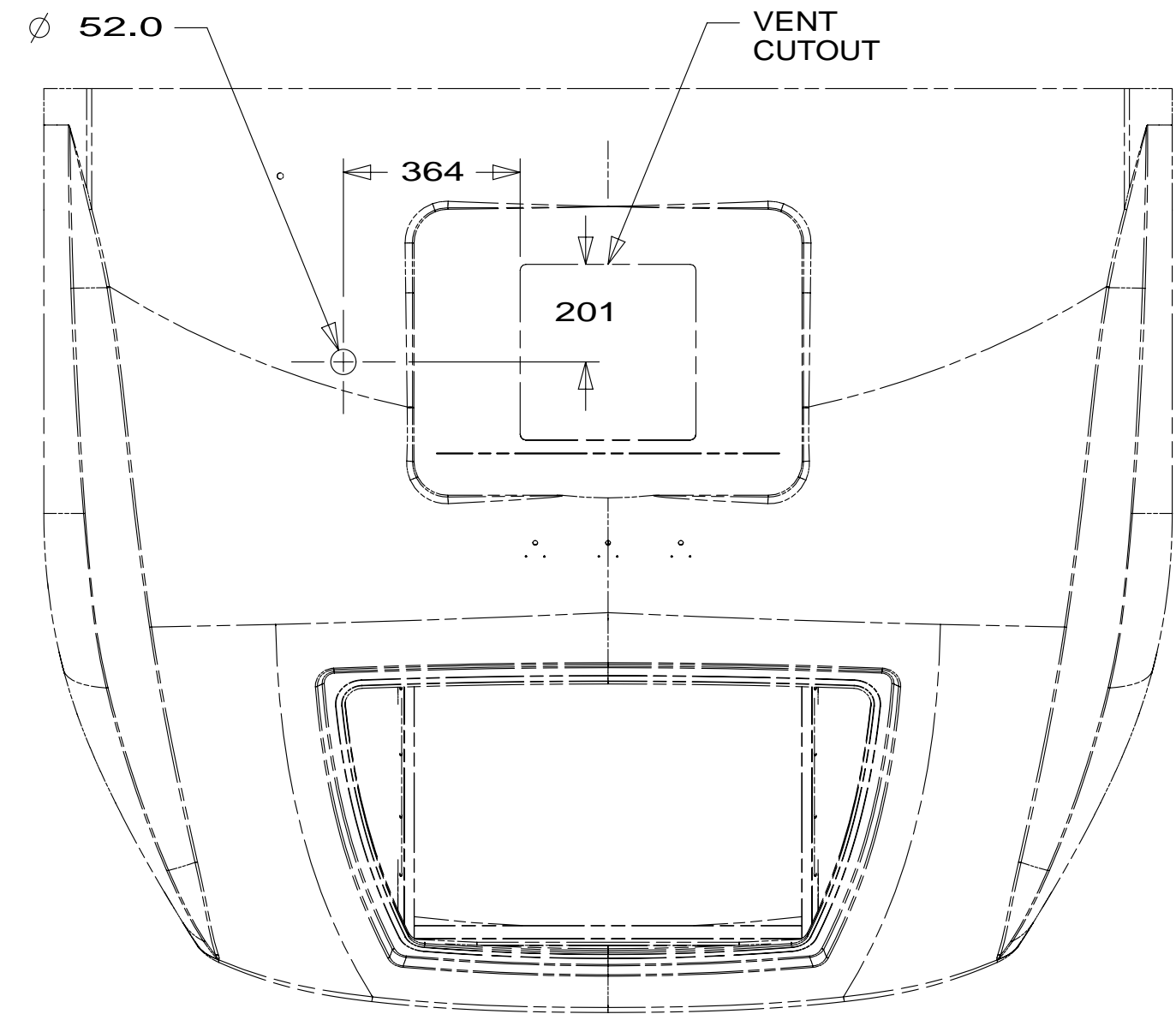
FOR ELECTRICAL TORQUE SPECIFICATIONS SEE DWG NO. 128783-01-000

FOR ELECTRICAL CALLOUTS SEE DWG NO. 121339-01-000

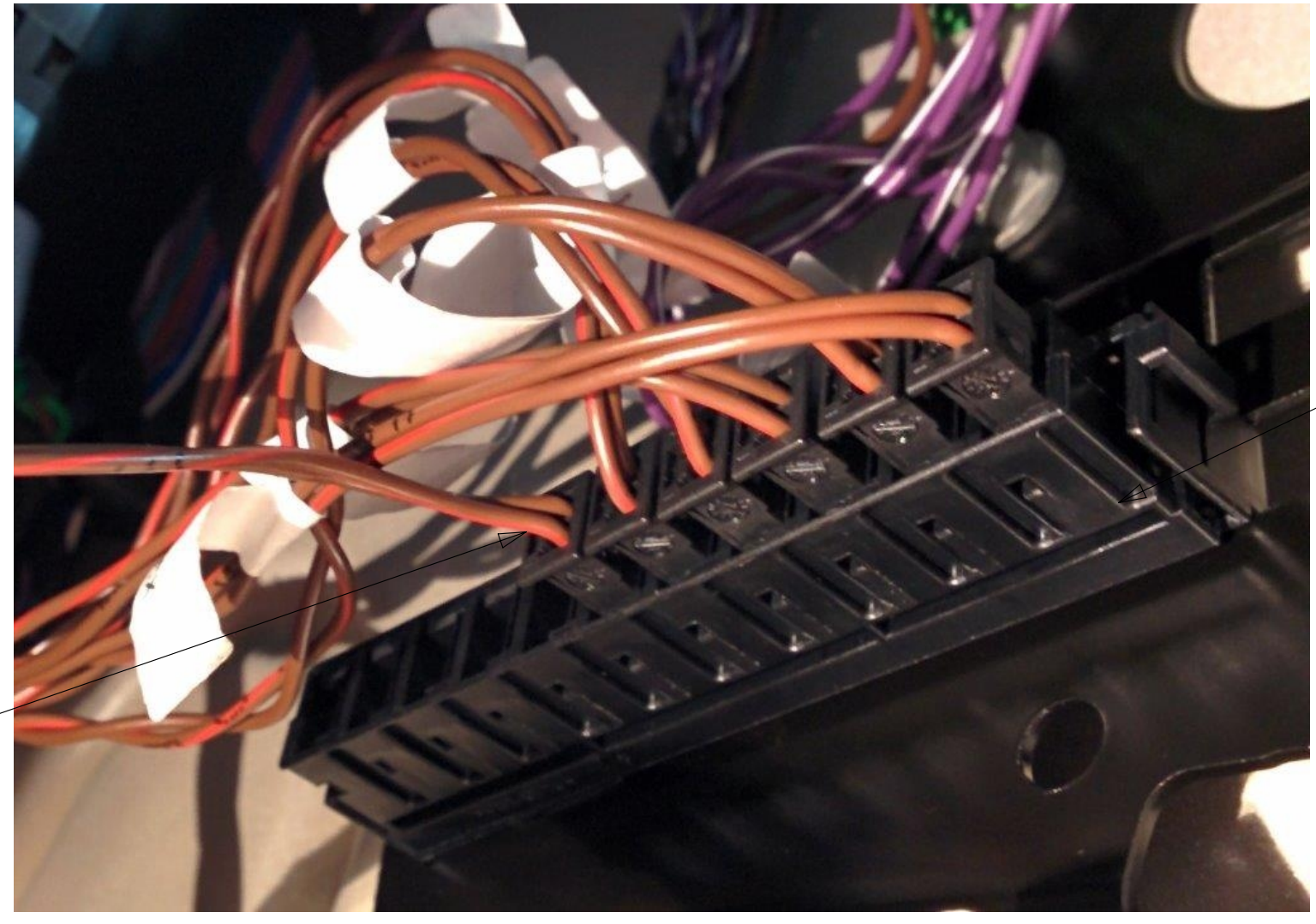
* 186447 * A



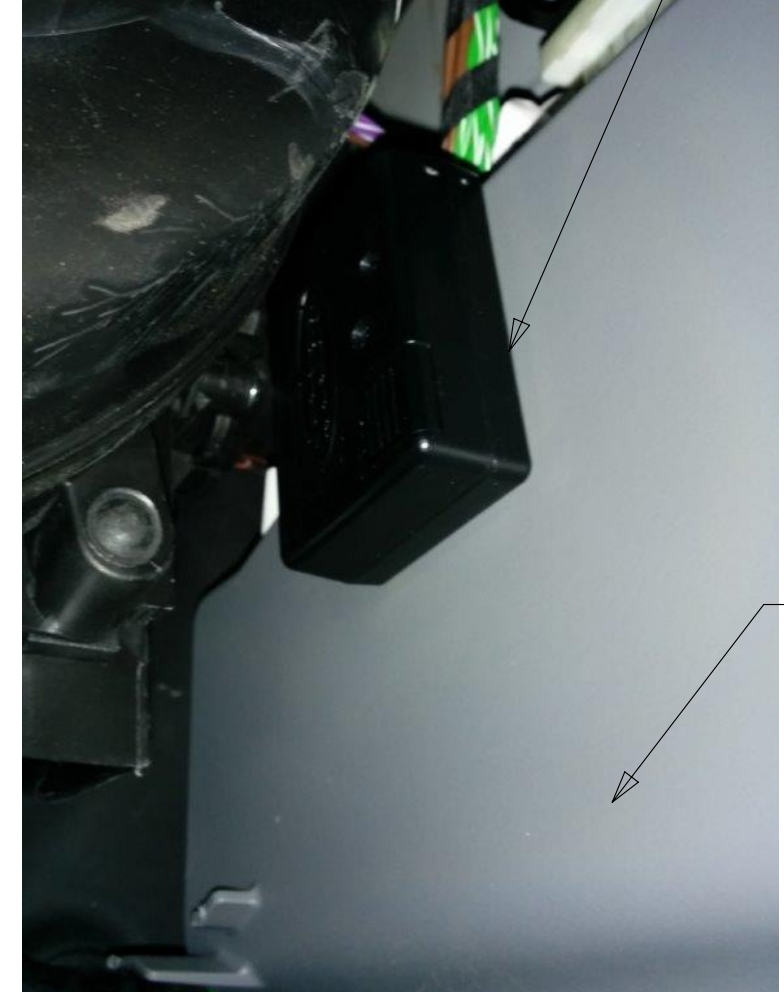
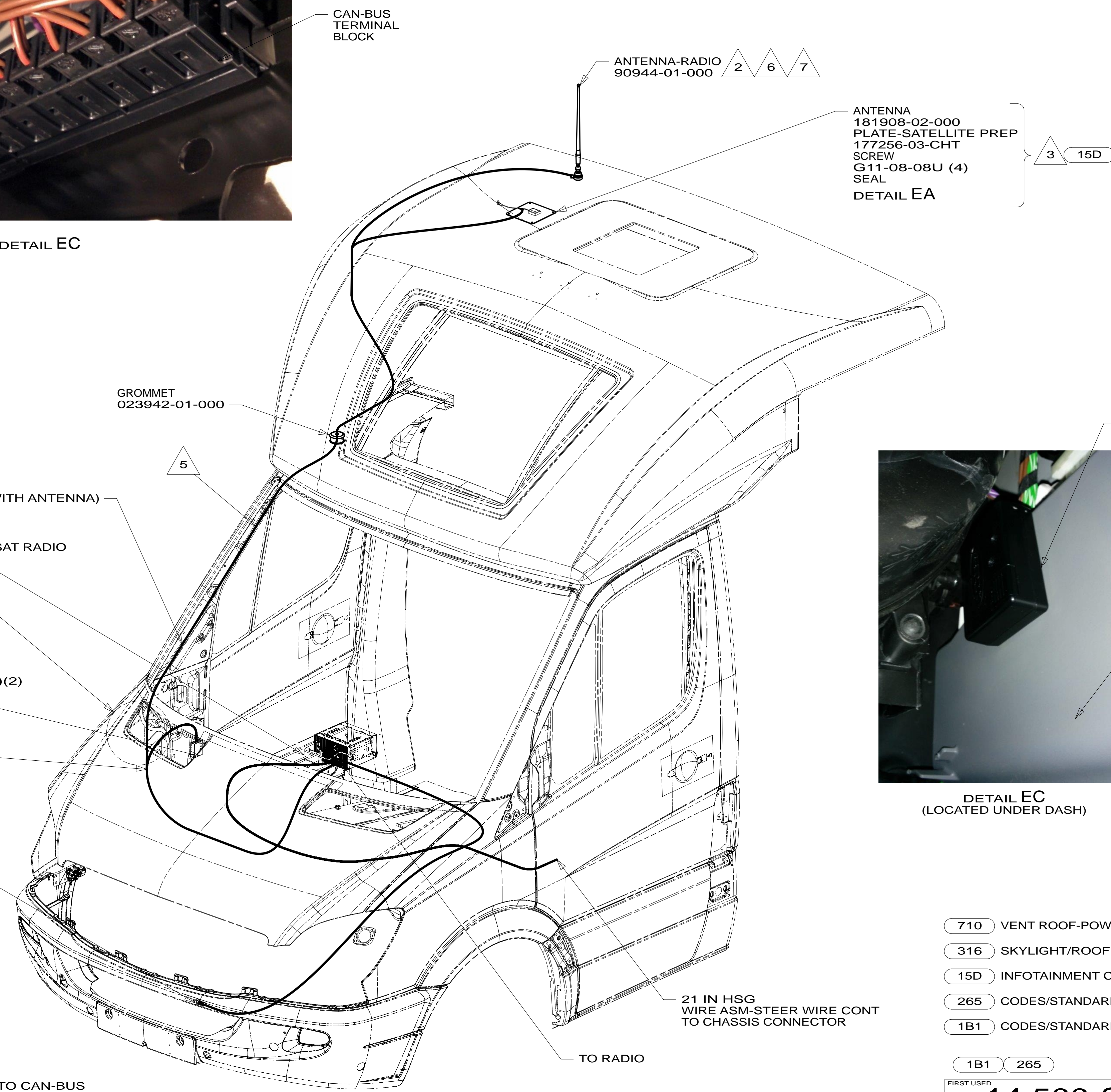
DETAIL EA 15D AND 316



DETAIL EA 15D AND 710



DETAIL EC



DETAIL EC (LOCATED UNDER DASH)

- NOTES:
- 8 DRILL 16MM HOLE THROUGH BUMPER COVER BEHIND LICENSE PLATE BRACKET AND INSTALL SENSOR.
 - 7 CUT AND REMOVE A 75MM X 75MM AREA OF THE ALUMINUM INSULATION, CENTERED ABOUT THE RADIO ANTENNA ROOF CAP.
 - 6 REMOVE AND REINSTALL AFTER PAINT.
 - 5 ROUTE SATELLITE RADIO ANTENNA CABLE FROM THE DASH UP A-PILLAR TO ROOF CAP.
 - 4 CONNECT UNILINK CABLE SUPPLIED WITH SATELLITE RECEIVER BETWEEN DASH RADIO AND SATELLITE RECEIVER UNDER PASSENGER SEAT ROUTE I-POD CABLE TO TRAY ABOVE DASH RADIO.
 - 3 MOUNT ANTENNA SUCH THAT BASE IS SQUARE W/REAR OF ROOF CAP & CENTER HOLE OF ANTENNA DIRECTLY OVER HOLE IN FIBERGLASS. SEAL HOLE, BASE, AND SCREWS.
 - 2 SEAL AROUND ANTENNA BASE.
 - 1 ROUTE RADIO ANTENNA CABLE FROM DASH RADIO UNDER DASH UP PASSENGER SIDE A-PILLAR TO ROOF CAP.

- 11 PLUG CHASSIS SUPPLIED 2 PIN HSG INTO CAN-BUS TERMINAL BLOCK. REFERENCE MODULE DRAWING FOR SETUP PROCEDURE.
- 10 CLEAN AND APPLY ADHESIVE PROMOTER 87211-01-000 TO BOTH SURFACES AND BOND MODULE TO KICKER PANEL.
- 9

FOR ELECTRICAL TORQUE SPECIFICATIONS SEE DWG NO. 128783-01-000

FOR ELECTRICAL CALLOUTS SEE DWG NO. 121339-01-000

- 710 VENT ROOF-POWERED,INSULATED
- 316 SKYLIGHT/ROOF VENT, POWER
- 15D INFOTAINMENT CENTER/GPS
- 265 CODES/STANDARDS-CSA/CMVSS
- 1B1 CODES/STANDARDS USA

1B1 265

FIRST USED

14 500-SERIES

DO NOT SCALE DRAWING

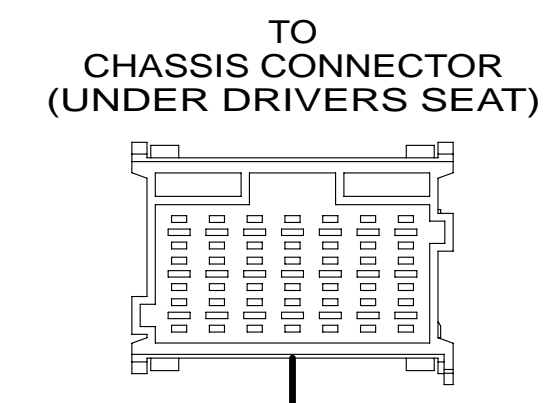
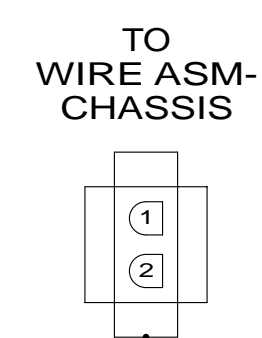
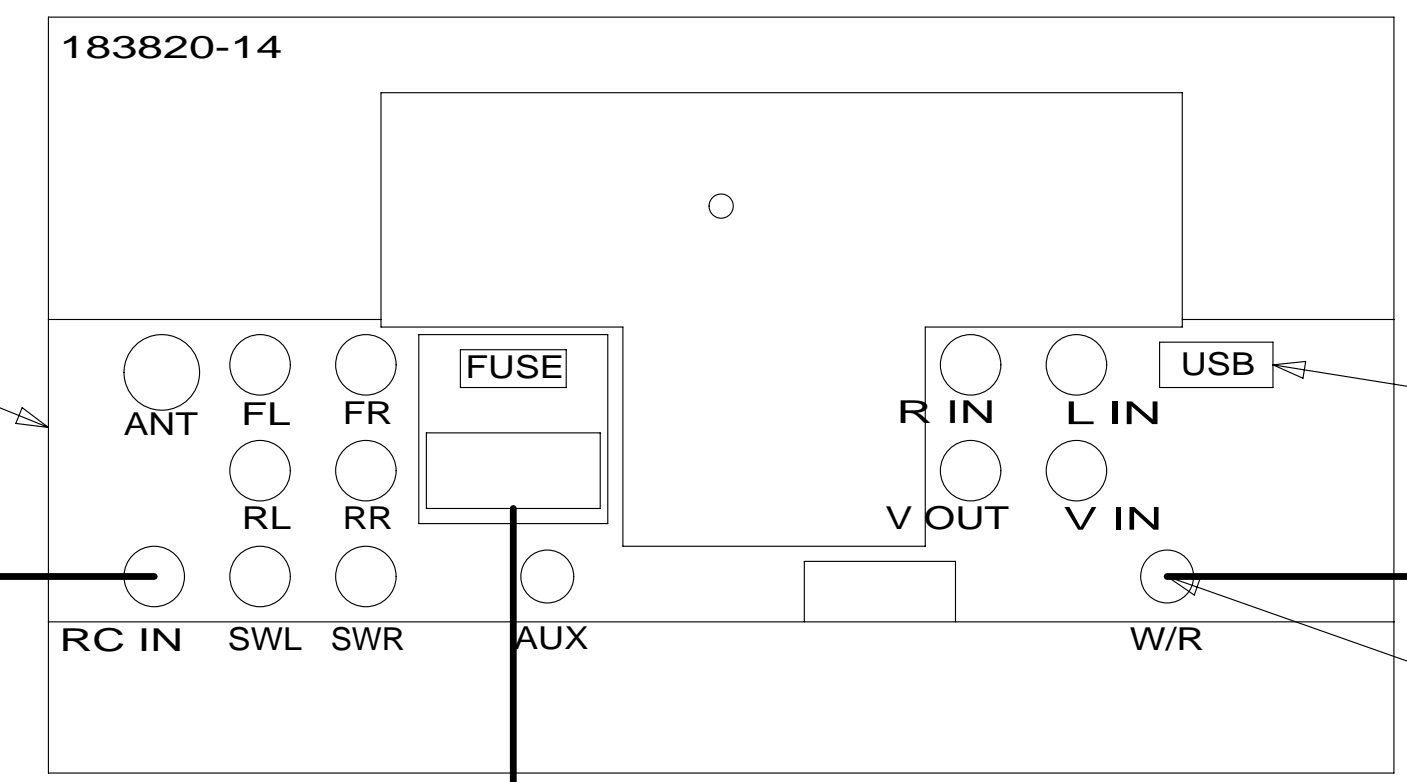
TITLE: **RADIO/MONITOR INSTL**

SHEET 5 PART NO **186447** REV

12-May-2014

* 186447 * A

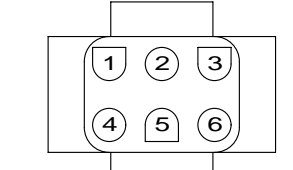
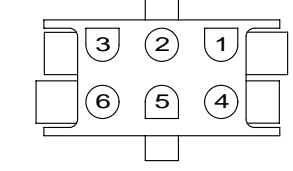
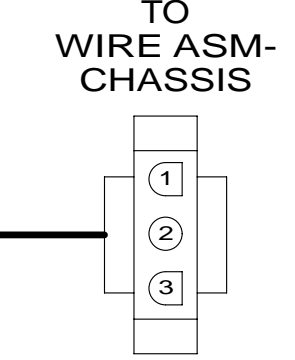
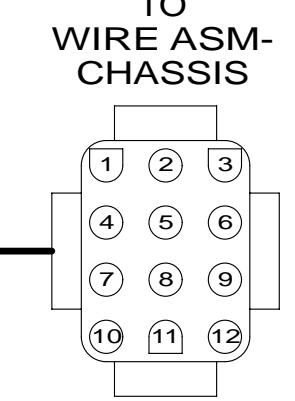
RADIO-AM/FM/DVD,
TOUCH,2-DIN
183820-14-000
BRACKET
178610-01-000
APPLIQUE-RADIO
185341-01-CHT
KIT-RADIO
176654-08-000



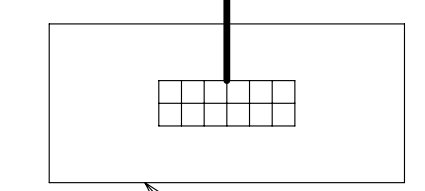
3.5MM MINI JACK RADIO PLUG

WIRE ASM-STEER WHL CONT
189791-02-000

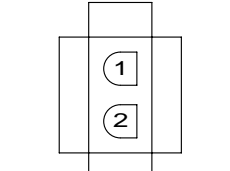
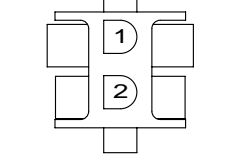
HARNESS-RADIO,12 PIN
183820-06-000



HARNESS-SWC
189850-02-000

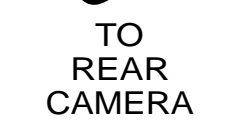


MODULE-SWC,RADIO
(REF)



HARNESS-CAMERA ADAPTER
183820-03-000

CABLE-CAMERA,20M
183822-02-000



1 PLUG USB CABLE SUPPLIED WITH RADIO INTO LEAD ON BACK OF RADIO MARKED 'USB'. ROUTE CABLE TO THE LEFT OF RADIO. WIRE TIE EXCESS CABLE UNDER DASH IN THE AREA LEFT OF THE RADIO. LEAVE 200 MM OF CABLE IN THE MOTOR COVER BEVERAGE TRAY. MAKE SURE CABLE DOES NOT GET PINCHED BY MOTOR COVER.

NOTES:

FOR ELECTRICAL TORQUE SPECIFICATIONS SEE DWG NO. 128783-01-000

FOR ELECTRICAL CALLOUTS SEE DWG NO. 121339-01-000

- 19R RADIO/REARVIEW MONITOR SYS
- 265 CODES/STANDARDS-CSA/CMVSS
- 1B1 CODES/STANDARDS USA

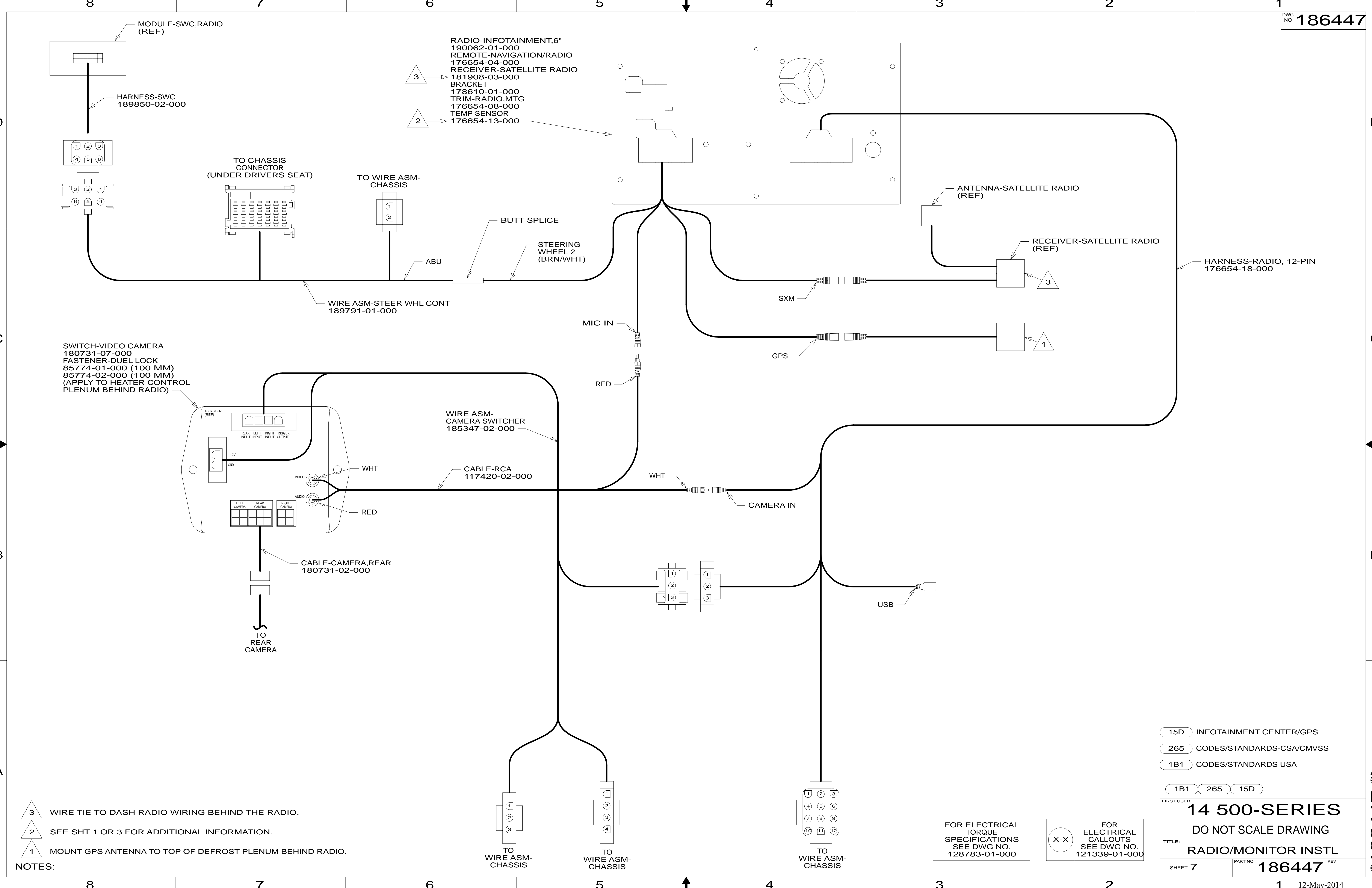
1B1 265 19R

FIRST USED
14 500-SERIES

DO NOT SCALE DRAWING

TITLE: **RADIO/MONITOR INSTL**

SHEET 6 PART NO **186447** REV



- NOTES:
- 3 WIRE TIE TO DASH RADIO WIRING BEHIND THE RADIO.
 - 2 SEE SHT 1 OR 3 FOR ADDITIONAL INFORMATION.
 - 1 MOUNT GPS ANTENNA TO TOP OF DEFROST PLENUM BEHIND RADIO.

- 15D INFOTAINMENT CENTER/GPS
- 265 CODES/STANDARDS-CSA/CMVSS
- 1B1 CODES/STANDARDS USA

1B1	265	15D
FIRST USED		
14 500-SERIES		
DO NOT SCALE DRAWING		
TITLE: RADIO/MONITOR INSTL		
SHEET 7	PART NO 186447	REV

FOR ELECTRICAL TORQUE SPECIFICATIONS SEE DWG NO. 128783-01-000

FOR ELECTRICAL CALLOUTS SEE DWG NO. 121339-01-000

* 186447 * A