



**DANGER**

**Danger of electrical shock, burns or death.** Always remove all power sources before attempting any repair, service or diagnostic work. Power can be present from shore power, generator, inverter or battery. All power sources must be disabled and secured before performing any service.

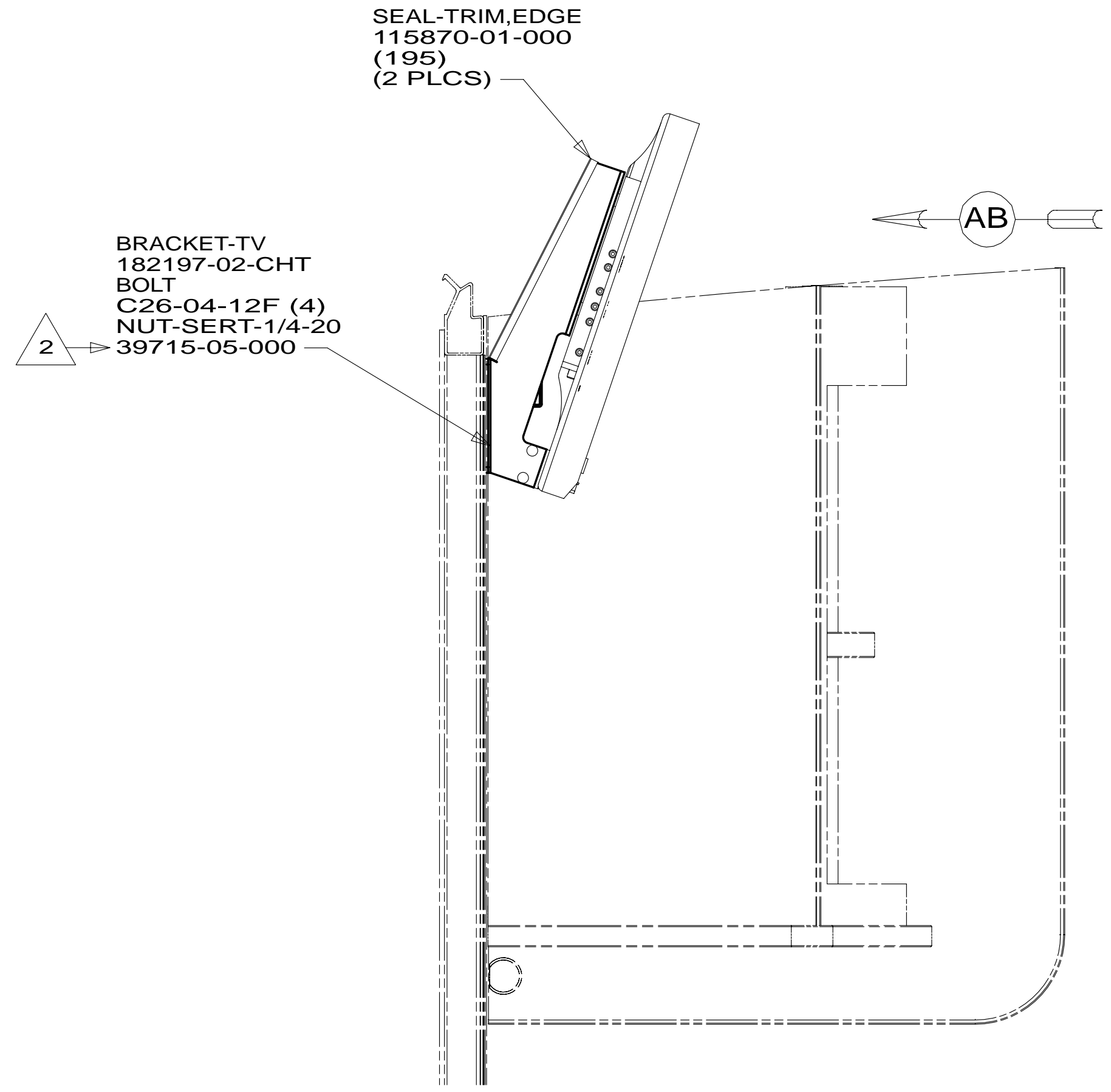


**CAUTION**

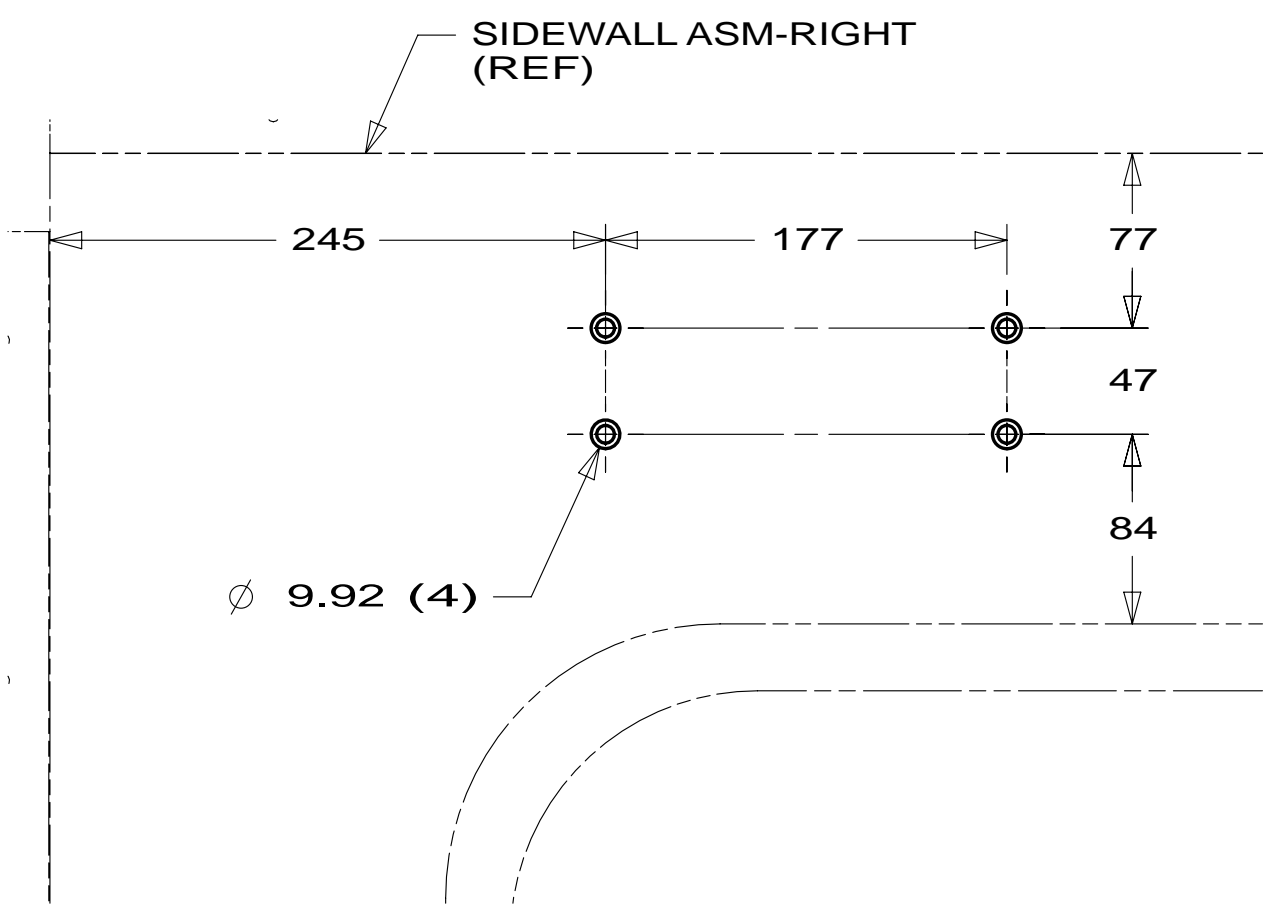
If you lack the skills, tools or equipment to perform diagnostic or repair work leave such work to an authorized Winnebago Industries dealer or other qualified shop.

DRAWING NO.	MODEL	SHEETS
186406-01	524J	1,2,6,7,10
186406-02	524G,524M	3,4
186406-03	524V	5,8,9

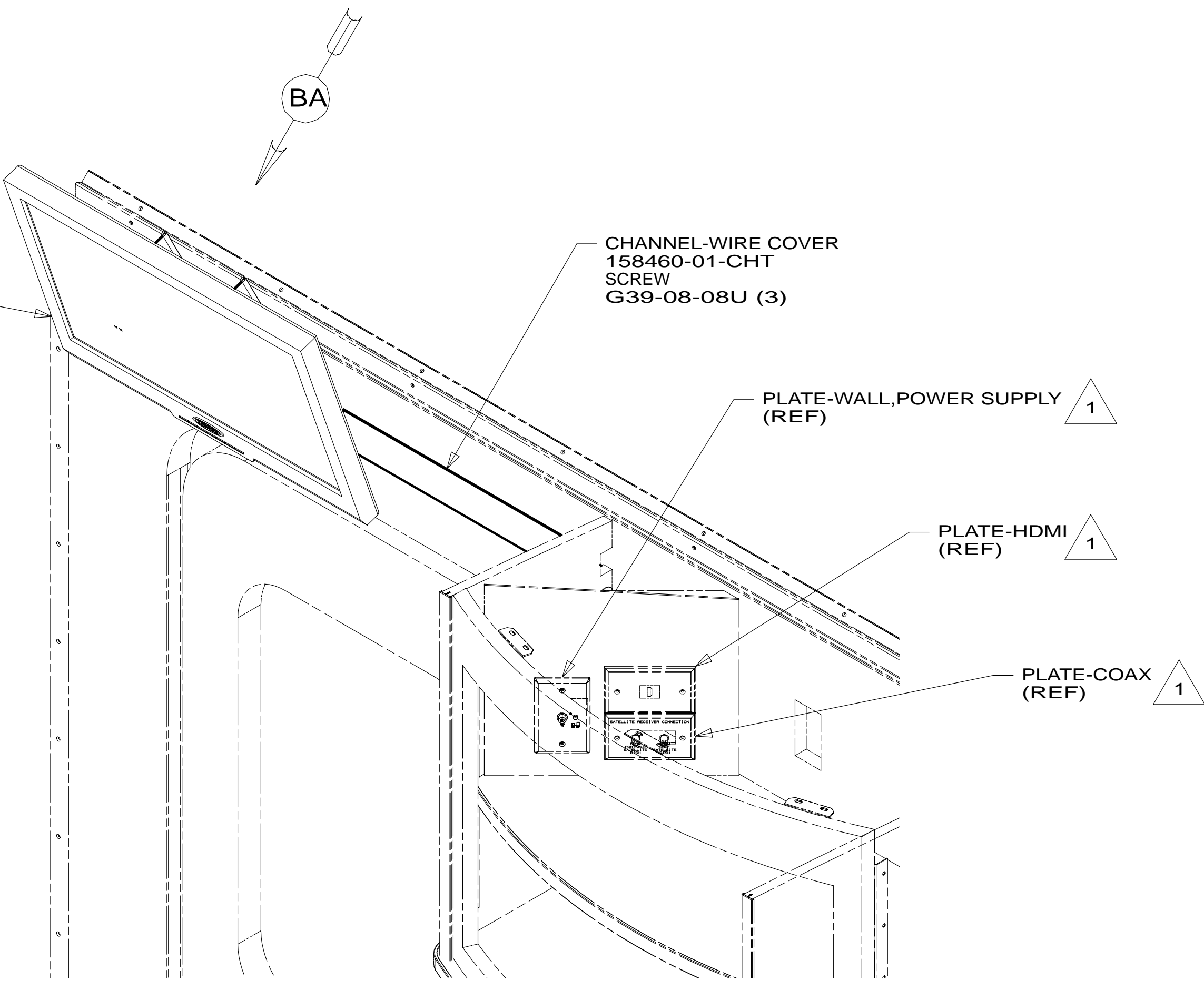
RELEASE	REV/DATE	DWG NO	186406
REV ZONE	REVISION RECORD	DATE	DTR-ORIG



VIEW AA



DETAIL AB



- NOTES:
- 2 REMOVE PANELING SO NUT-SERT CLAMPS JUST THE INNER WALL OF THE SIDEWALL TUBE.
  - 1 SEE WIRING INSTL-BODY,12V FOR ADDITIONAL INFORMATION.

- 68E TV - DC 22" LCD W/REMOTE
- 265 CODES/STANDARDS-CSA/CMVSS
- 1B1 CODES/STANDARDS USA

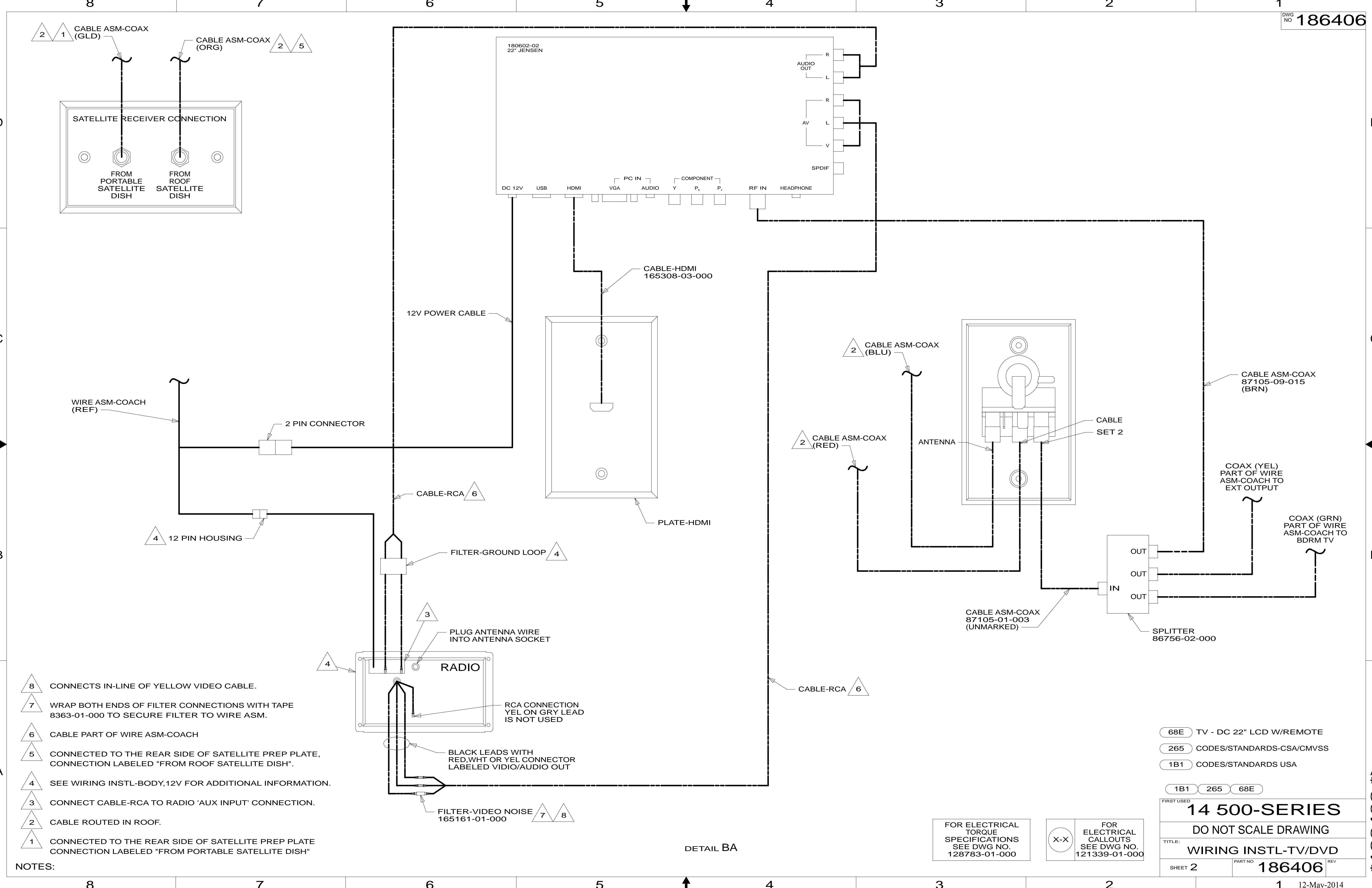
- 1B1 265 68E

<b>WINNEBAGO</b>		COPYRIGHT 2014 WINNEBAGO INDUSTRIES, INC.	
DTR	ORIG. DATE	ALL DIMENSIONS ARE IN MILLIMETERS	
CHKR		FIRST USED	
P.E.		14 500-SERIES	
M.E.		MATERIAL:	
DSNR		UNSPECIFIED TOLERANCES ARE:	
		WHOLE DIM (X)	: 3
		ONE-PLACE (X.X)	: 1.5
		TWO-PLACE (X.XX)	: 0.50
		ANGLE	: 1°
THIRD ANGLE PROJECTION			
DO NOT SCALE DRAWING		REFER TO ES0018 FOR FASTENER TIGHTENING GUIDELINES	
TITLE: <b>WIRING INSTL-TV/DVD</b>			
SHEET 1 OF 9	PART NO	<b>186406</b>	REV
REF:	1	12-May-2014	

FOR ELECTRICAL TORQUE SPECIFICATIONS SEE DWG NO. 128783-01-000

FOR ELECTRICAL CALLOUTS SEE DWG NO. 121339-01-000

\* 186406 \* A



- NOTES:
- 8 CONNECTS IN-LINE OF YELLOW VIDEO CABLE.
  - 7 WRAP BOTH ENDS OF FILTER CONNECTIONS WITH TAPE 8363-01-000 TO SECURE FILTER TO WIRE ASM.
  - 6 CABLE PART OF WIRE ASM-COACH
  - 5 CONNECTED TO THE REAR SIDE OF SATELLITE PREP PLATE, CONNECTION LABELED "FROM ROOF SATELLITE DISH".
  - 4 SEE WIRING INSTL-BODY,12V FOR ADDITIONAL INFORMATION.
  - 3 CONNECT CABLE-RCA TO RADIO 'AUX INPUT' CONNECTION.
  - 2 CABLE ROUTED IN ROOF.
  - 1 CONNECTED TO THE REAR SIDE OF SATELLITE PREP PLATE CONNECTION LABELED "FROM PORTABLE SATELLITE DISH"

- 68E TV - DC 22" LCD W/REMOTE
- 265 CODES/STANDARDS-CSA/CMVSS
- 1B1 CODES/STANDARDS USA

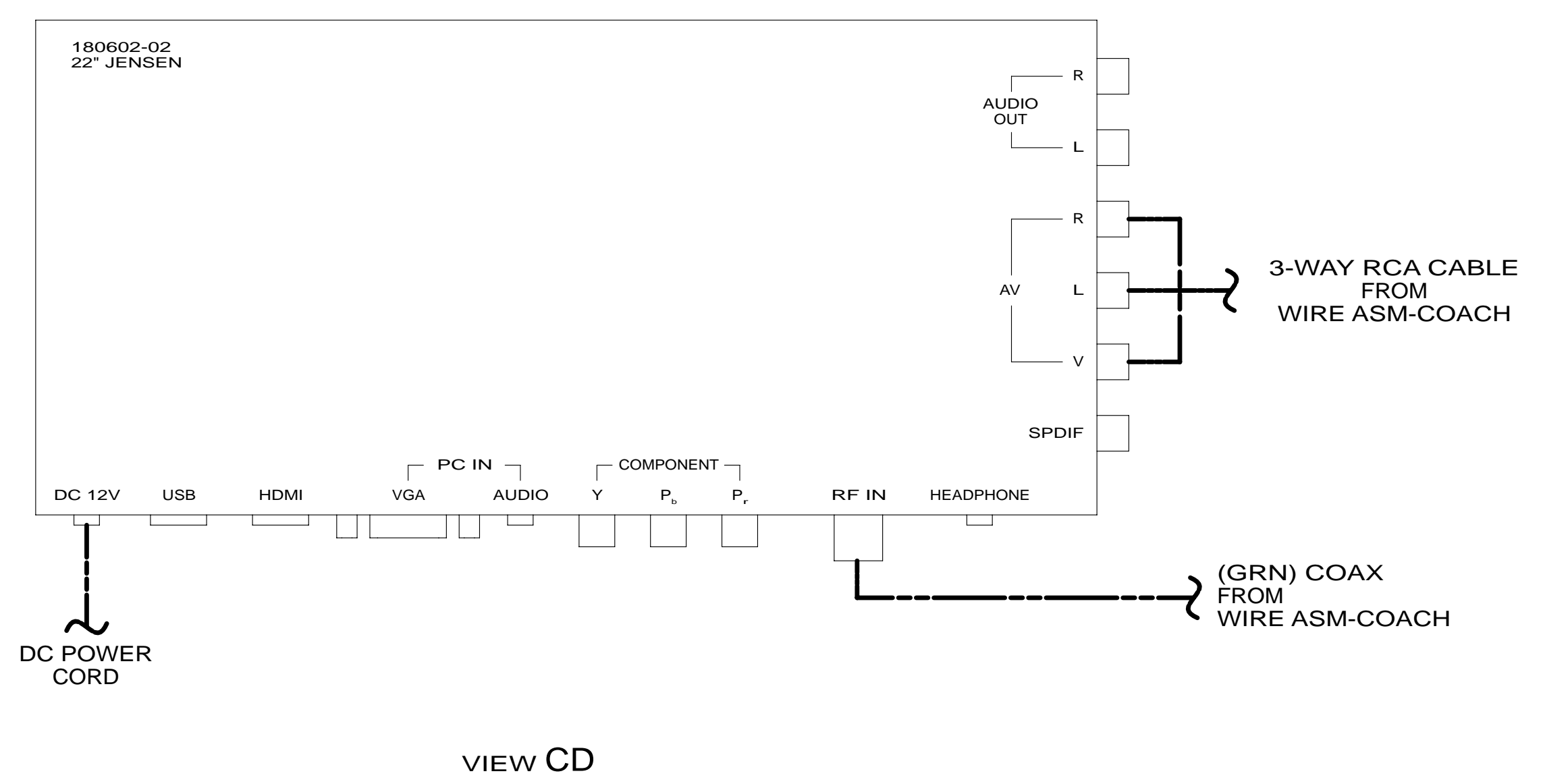
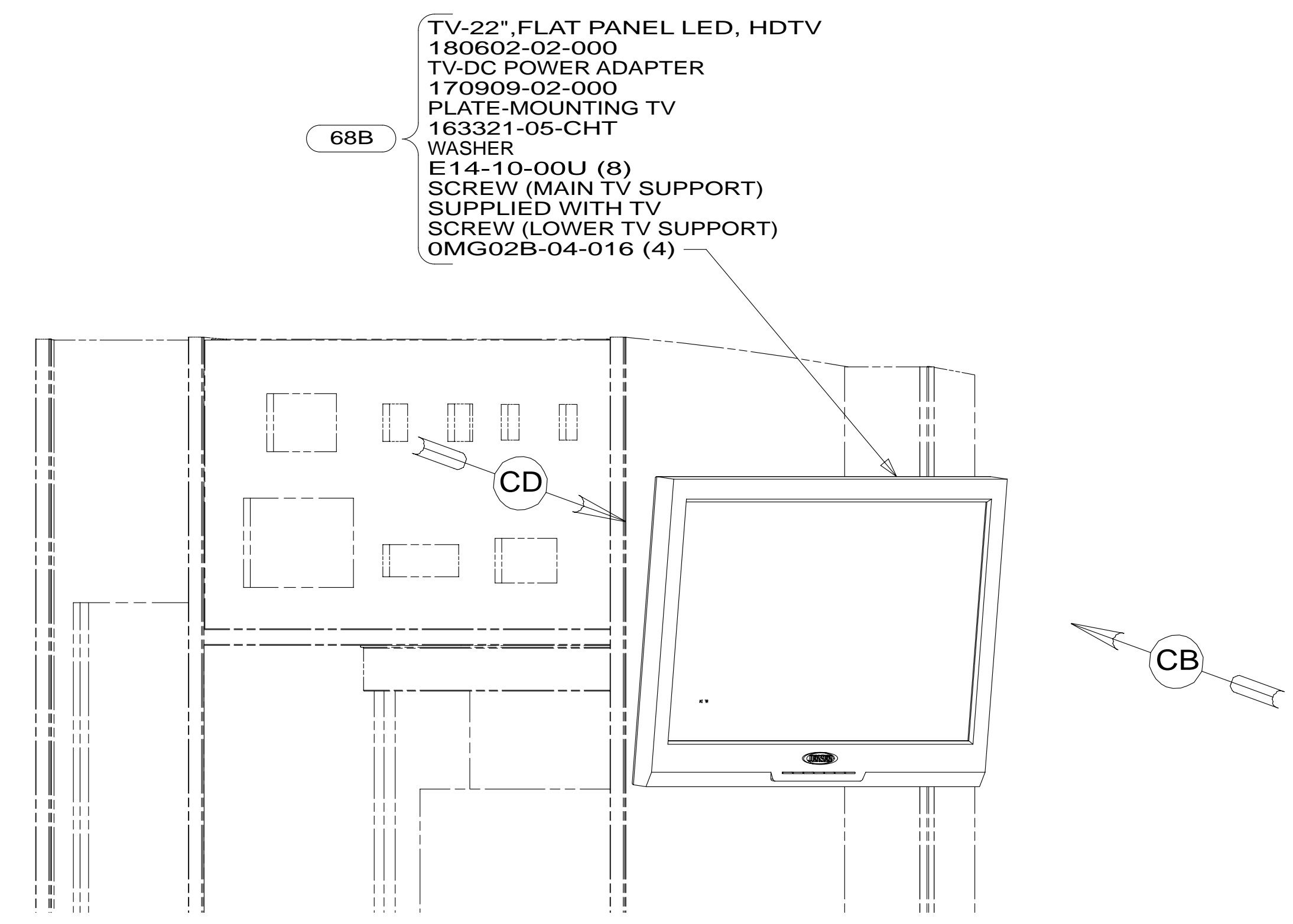
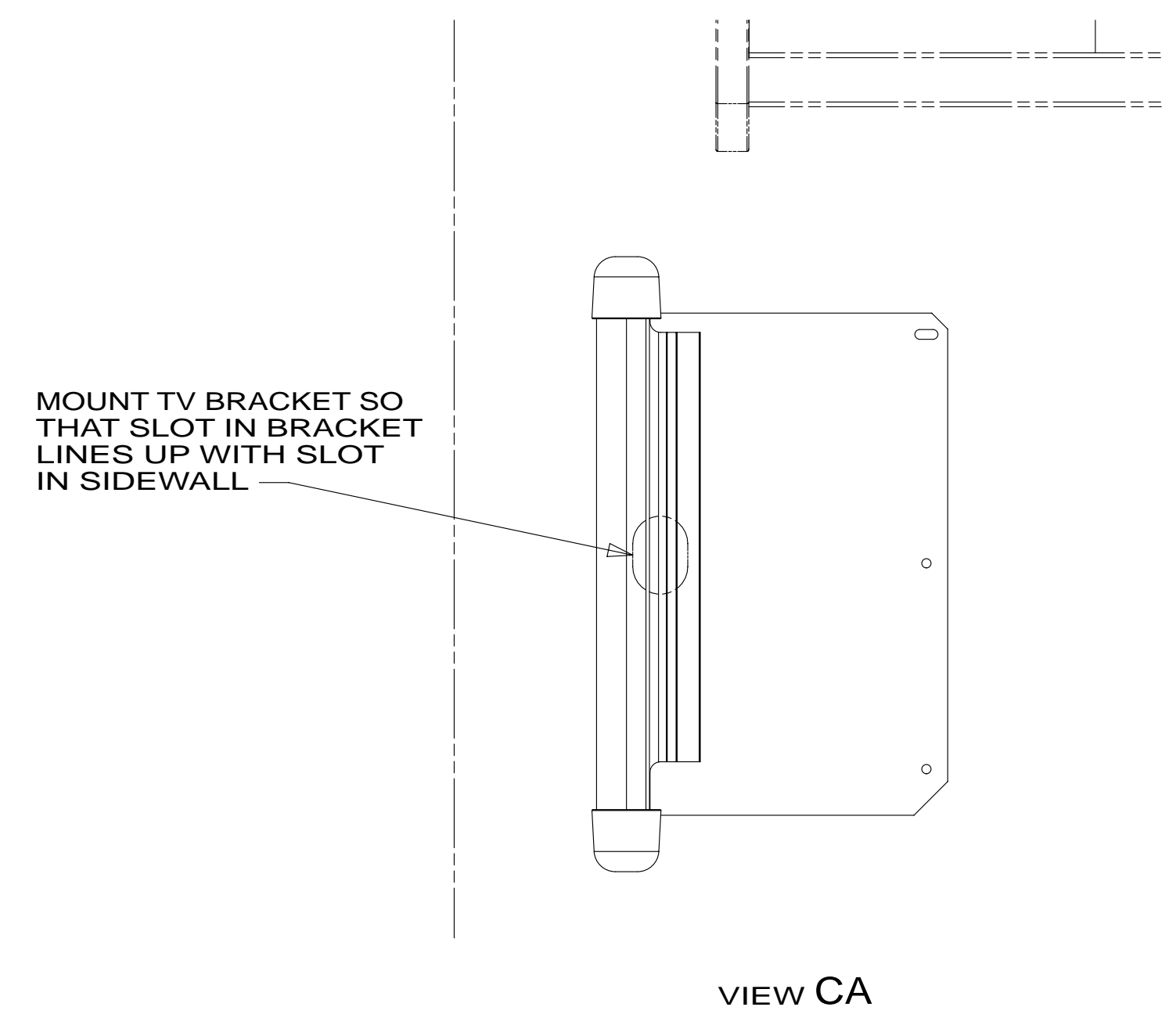
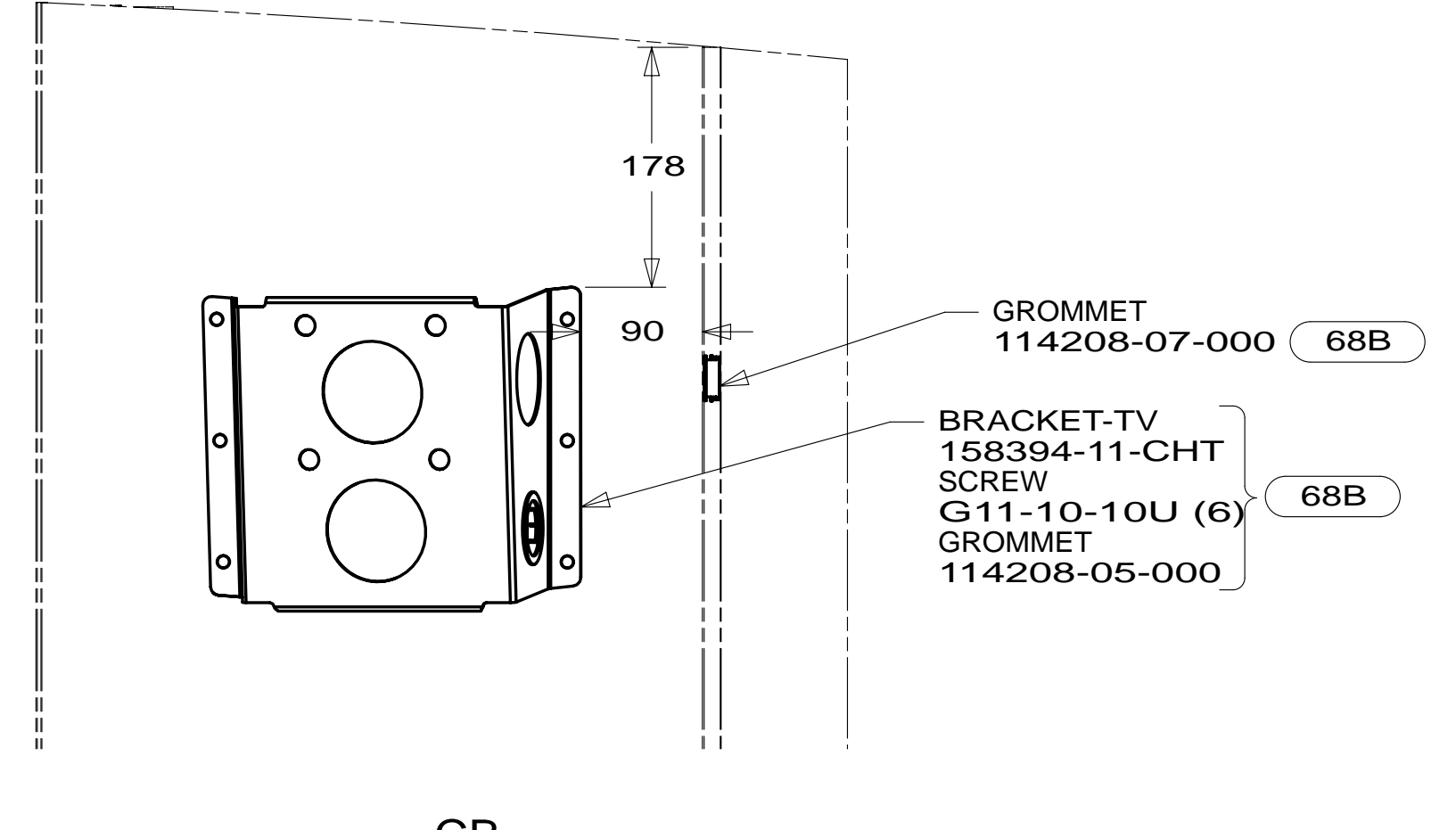
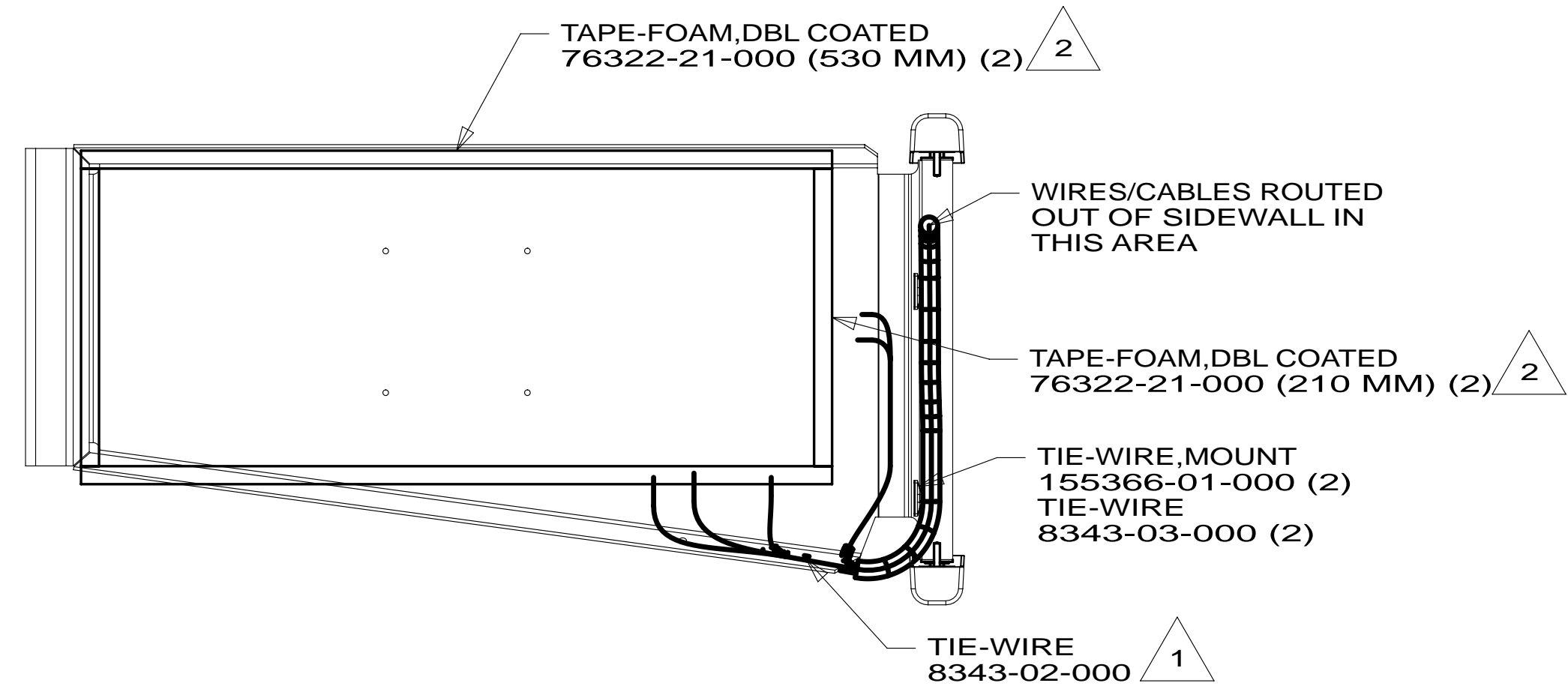
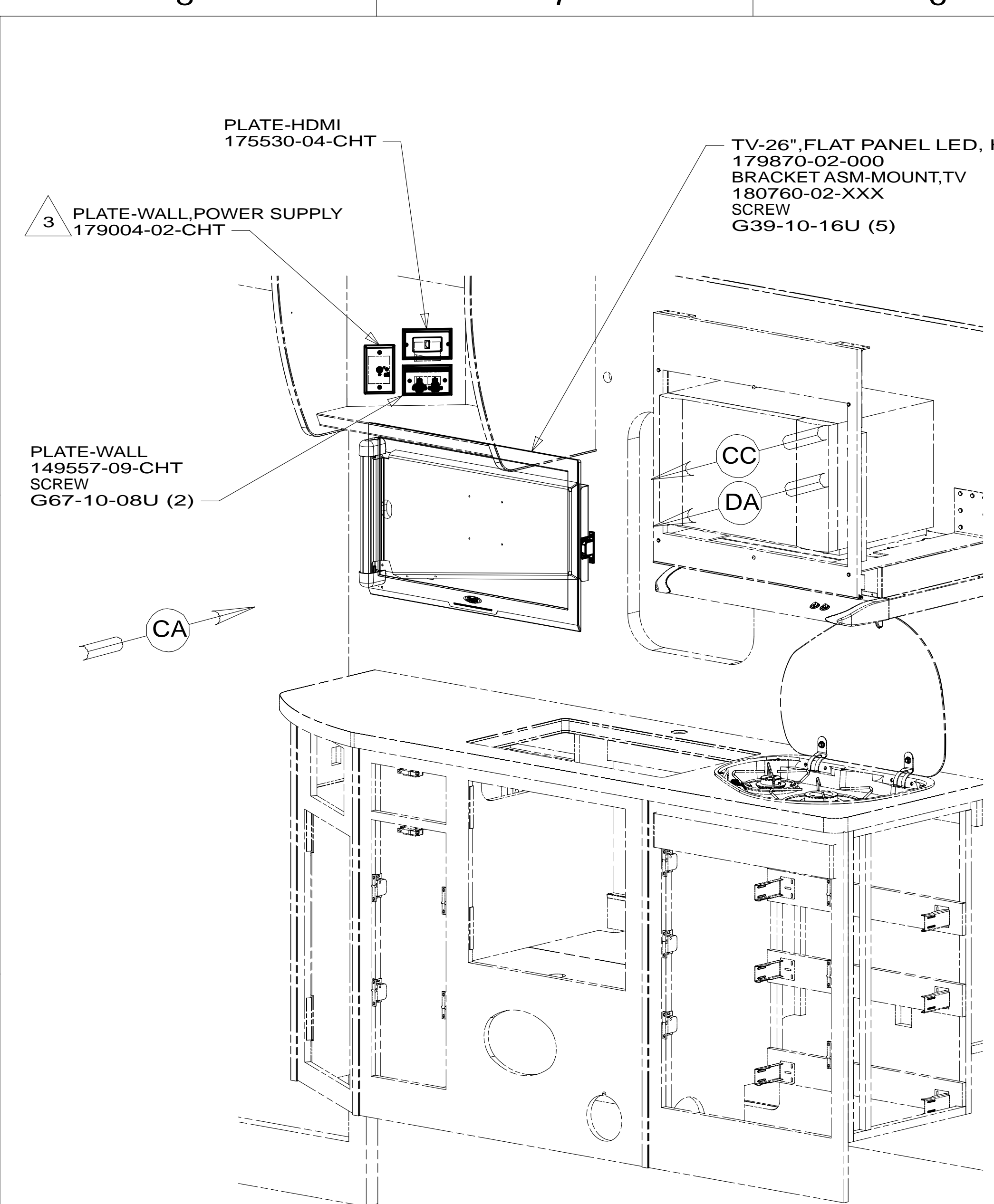
1B1	265	68E
FIRST USED		
<b>14 500-SERIES</b>		
DO NOT SCALE DRAWING		
TITLE: <b>WIRING INSTL-TV/DVD</b>		
SHEET 2	PART NO <b>186406</b>	REV

FOR ELECTRICAL TORQUE SPECIFICATIONS SEE DWG NO. 128783-01-000

FOR ELECTRICAL CALLOUTS SEE DWG NO. 121339-01-000

DETAIL BA

\* 186406 \*



- NOTES:
- 3 ON THE 524M ONLY, THE PLATE-WALL, POWER SUPPLY WILL BE INSTALLED HORIZONTALLY IN THE SAME LOCATION.
  - 2 CLEAN AND APPLY ADHESIVE PROMOTER 87211-01-000 TO BOTH SURFACES AND BOND WHERE BRACKET CONTACTS PLASTIC TV CASE.
  - 1 USE HOLES IN BRACKET ASM-MOUNT, TV TO ATTACH WIRE ASM TO BRACKET ASM-MOUNT, TV WITH WIRE TIES.

- 61A TV-26" COLOR, STEREO W/REMOTE
- 68B TV (REAR) DC 22" LCD W/REMOTE
- 265 CODES/STANDARDS-CSA/CMVSS
- 1B1 CODES/STANDARDS USA

FOR ELECTRICAL TORQUE SPECIFICATIONS SEE DWG NO. 128783-01-000

FOR ELECTRICAL CALLOUTS SEE DWG NO. 121339-01-000

FIRST USED

**14 500-SERIES**

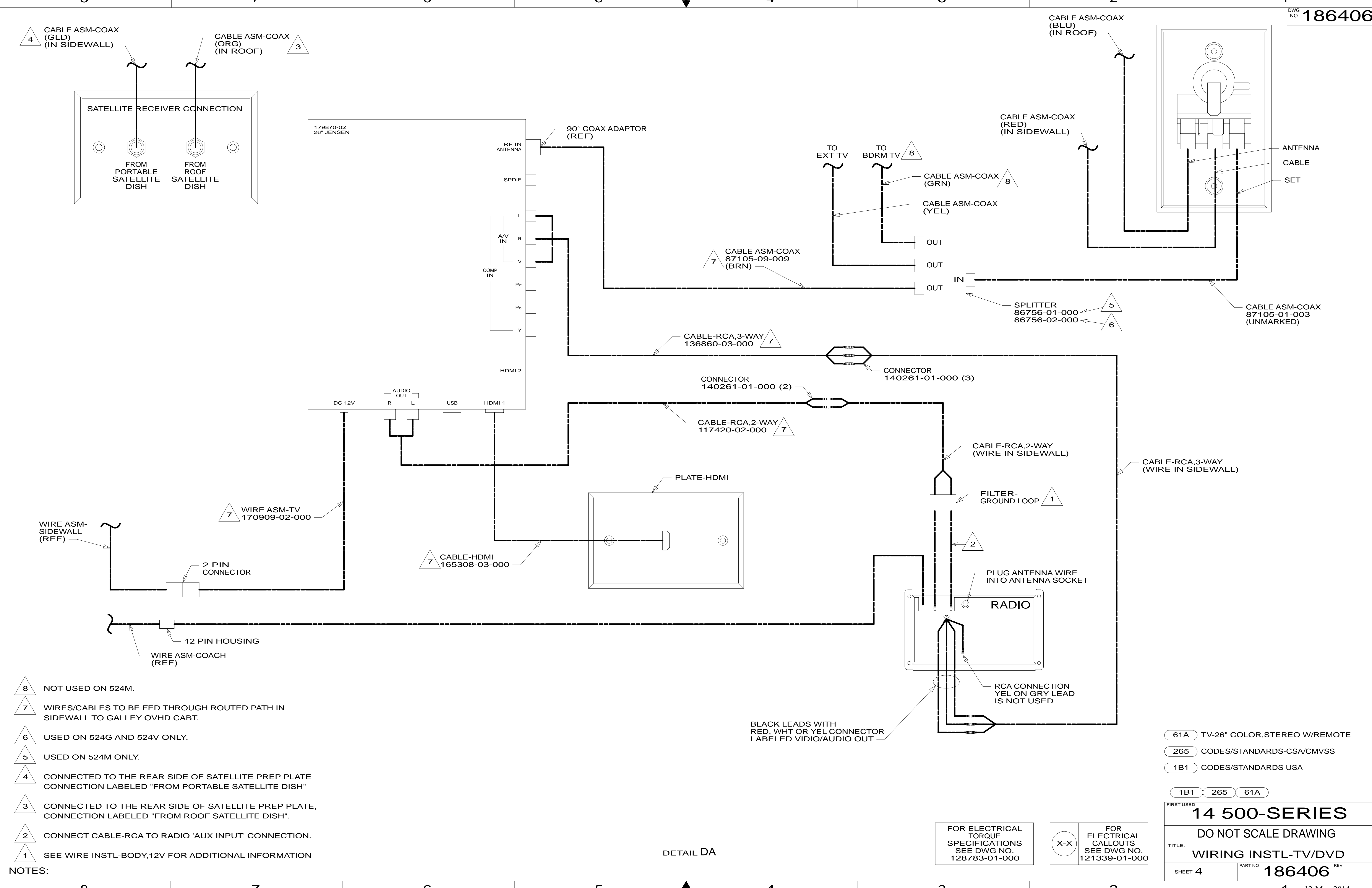
DO NOT SCALE DRAWING

TITLE: **WIRING INSTL-TV/DVD**

SHEET 3 PART NO **186406** REV

12-May-2014

\* 186406 \* A



- NOTES:
- 8 NOT USED ON 524M.
  - 7 WIRES/CABLES TO BE FED THROUGH ROUTED PATH IN SIDEWALL TO GALLEY OVHD CABT.
  - 6 USED ON 524G AND 524V ONLY.
  - 5 USED ON 524M ONLY.
  - 4 CONNECTED TO THE REAR SIDE OF SATELLITE PREP PLATE CONNECTION LABELED "FROM PORTABLE SATELLITE DISH"
  - 3 CONNECTED TO THE REAR SIDE OF SATELLITE PREP PLATE, CONNECTION LABELED "FROM ROOF SATELLITE DISH".
  - 2 CONNECT CABLE-RCA TO RADIO 'AUX INPUT' CONNECTION.
  - 1 SEE WIRE INSTL-BODY,12V FOR ADDITIONAL INFORMATION

- 61A TV-26" COLOR,STEREO W/REMOTE
- 265 CODES/STANDARDS-CSA/CMVSS
- 1B1 CODES/STANDARDS USA

FIRST USED

**14 500-SERIES**

DO NOT SCALE DRAWING

TITLE: **WIRING INSTL-TV/DVD**

SHEET 4 PART NO **186406** REV

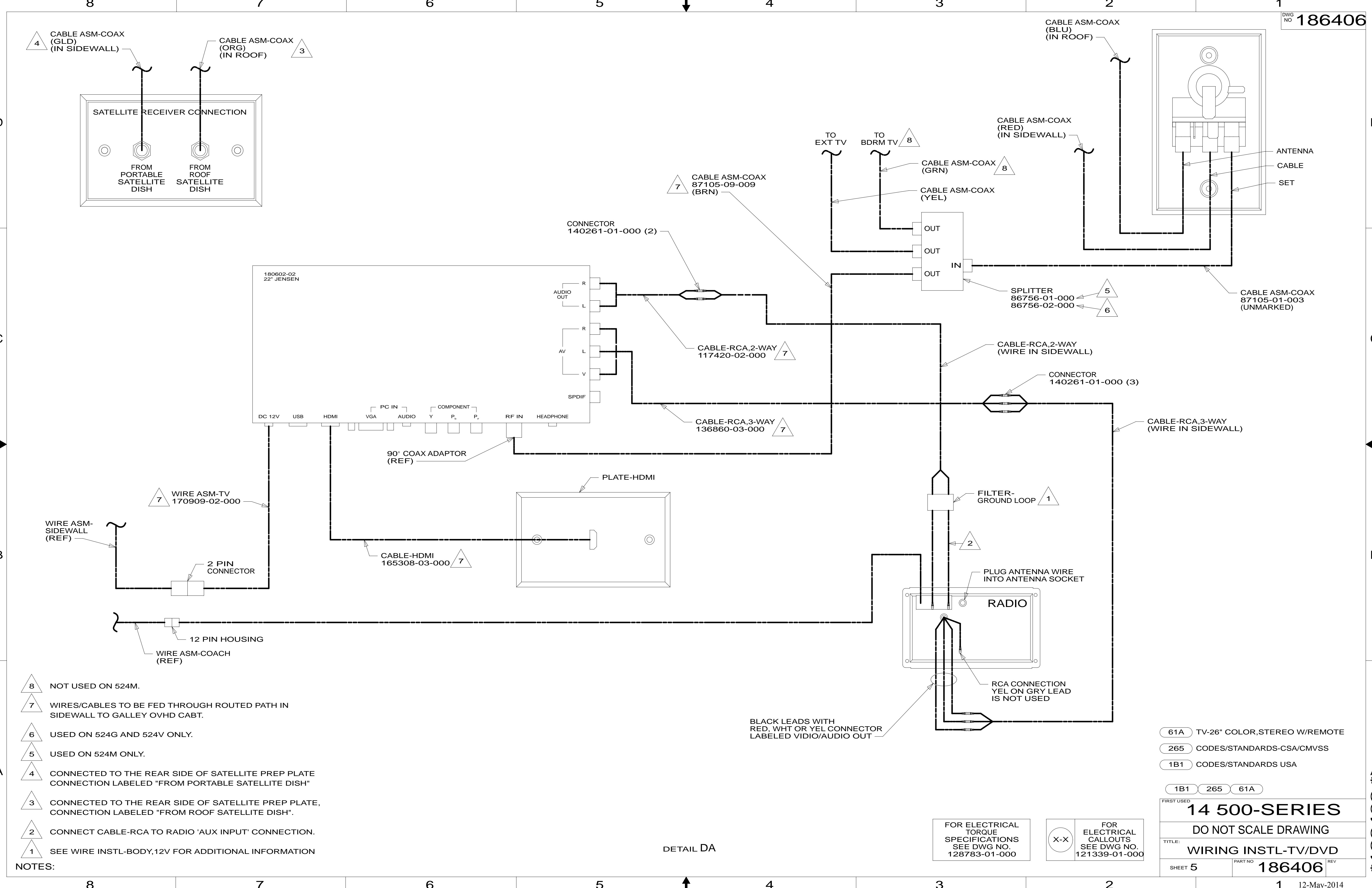
12-May-2014

FOR ELECTRICAL TORQUE SPECIFICATIONS SEE DWG NO. 128783-01-000

FOR ELECTRICAL CALLOUTS SEE DWG NO. 121339-01-000

DETAIL DA

\* 186406 \* A



- NOTES:
- 8 NOT USED ON 524M.
  - 7 WIRES/CABLES TO BE FED THROUGH ROUTED PATH IN SIDEWALL TO GALLEY OVHD CABT.
  - 6 USED ON 524G AND 524V ONLY.
  - 5 USED ON 524M ONLY.
  - 4 CONNECTED TO THE REAR SIDE OF SATELLITE PREP PLATE CONNECTION LABELED "FROM PORTABLE SATELLITE DISH"
  - 3 CONNECTED TO THE REAR SIDE OF SATELLITE PREP PLATE, CONNECTION LABELED "FROM ROOF SATELLITE DISH".
  - 2 CONNECT CABLE-RCA TO RADIO 'AUX INPUT' CONNECTION.
  - 1 SEE WIRE INSTL-BODY,12V FOR ADDITIONAL INFORMATION

- 61A TV-26" COLOR,STEREO W/REMOTE
- 265 CODES/STANDARDS-CSA/CMVSS
- 1B1 CODES/STANDARDS USA

FIRST USED	<b>14 500-SERIES</b>	
TITLE:	<b>DO NOT SCALE DRAWING</b>	
	<b>WIRING INSTL-TV/DVD</b>	
SHEET 5	PART NO <b>186406</b>	REV
		12-May-2014

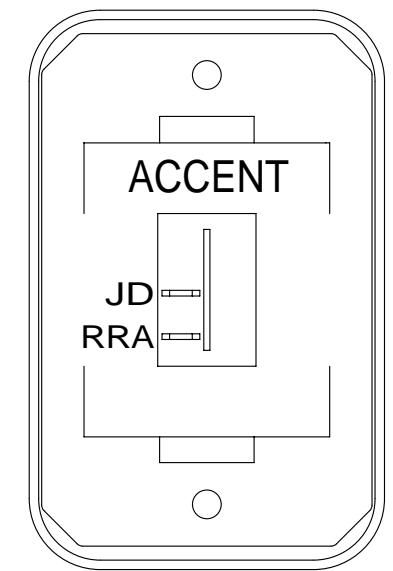
FOR ELECTRICAL TORQUE SPECIFICATIONS SEE DWG NO. 128783-01-000

X-X

FOR ELECTRICAL CALLOUTS SEE DWG NO. 121339-01-000

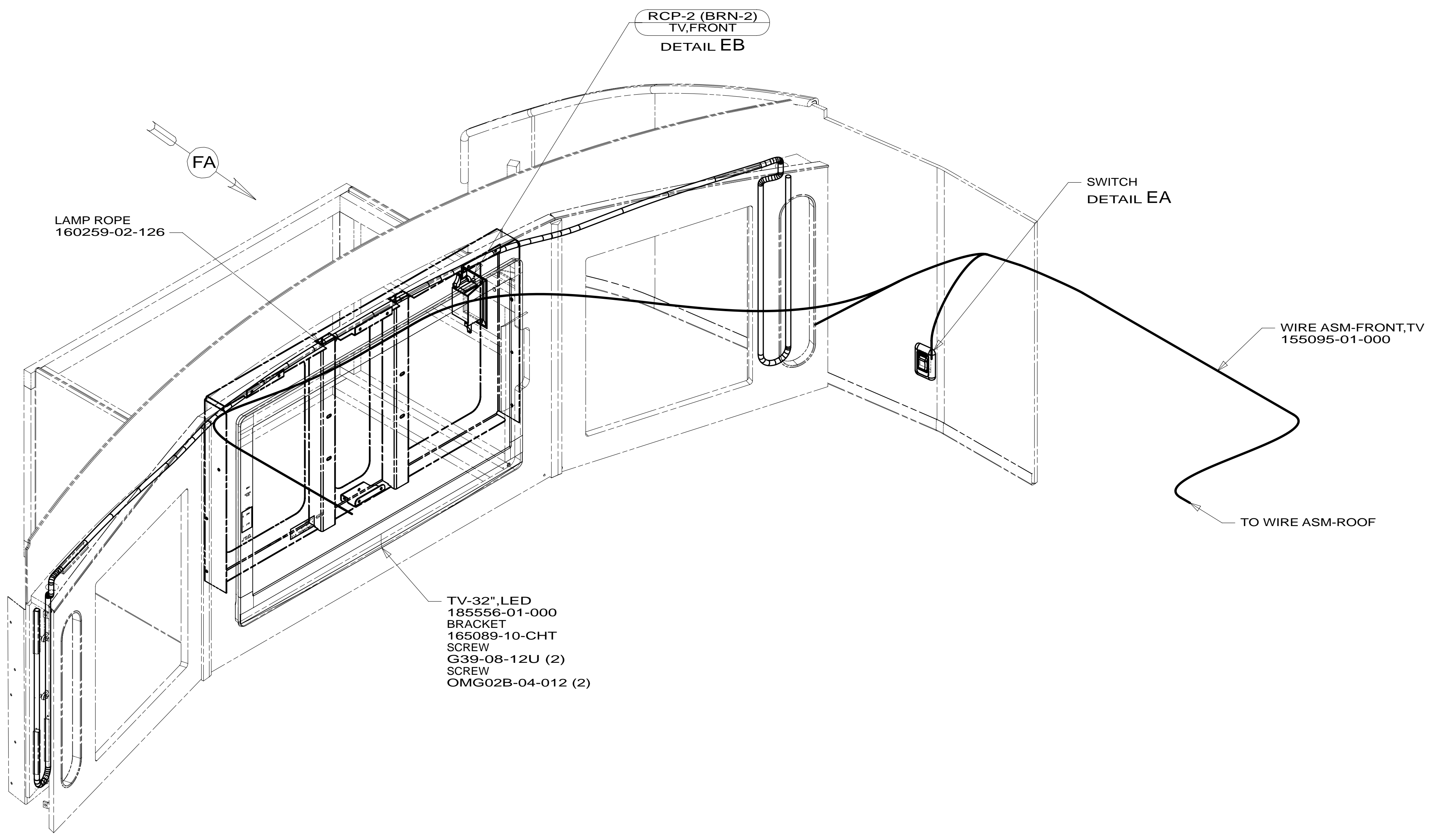
DETAIL DA

\* 186406 \*



SWITCH-ROCKER  
135740-01-CHT  
SWITCH-BASE  
135741-01-CHT  
SWITCH-BEZEL  
135742-50-CHT  
SCREW  
G11-08-08U (2)

DETAIL EA



LAMP ROPE  
160259-02-126

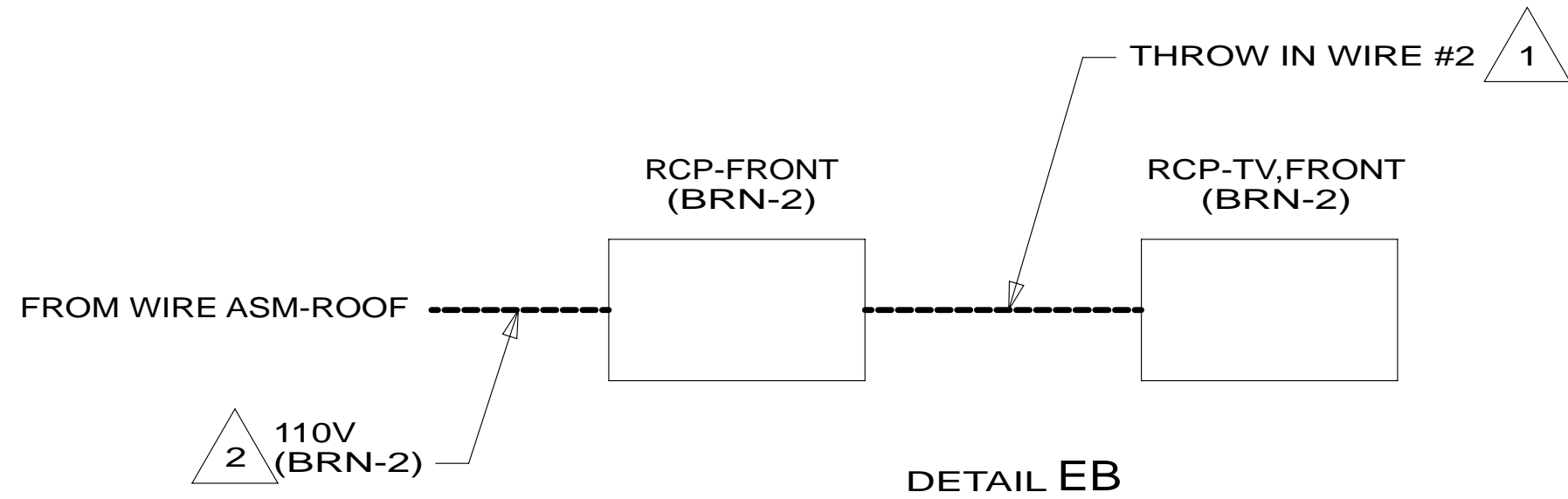
RCP-2 (BRN-2)  
TV,FRONT  
DETAIL EB

SWITCH  
DETAIL EA

WIRE ASM-FRONT,TV  
155095-01-000

TO WIRE ASM-ROOF

TV-32" LED  
185556-01-000  
BRACKET  
165089-10-CHT  
SCREW  
G39-08-12U (2)  
SCREW  
OMG02B-04-012 (2)



RCP-FRONT  
(BRN-2)

RCP-TV,FRONT  
(BRN-2)

DETAIL EB

- 1L9 ENTERTAINMENT CENTER-CABOVER
- 265 CODES/STANDARDS-CSA/CMVSS
- 1B1 CODES/STANDARDS USA

1B1 265 1L9

FIRST USED  
**14 500-SERIES**

DO NOT SCALE DRAWING

TITLE:  
**WIRING INSTL-TV/DVD**

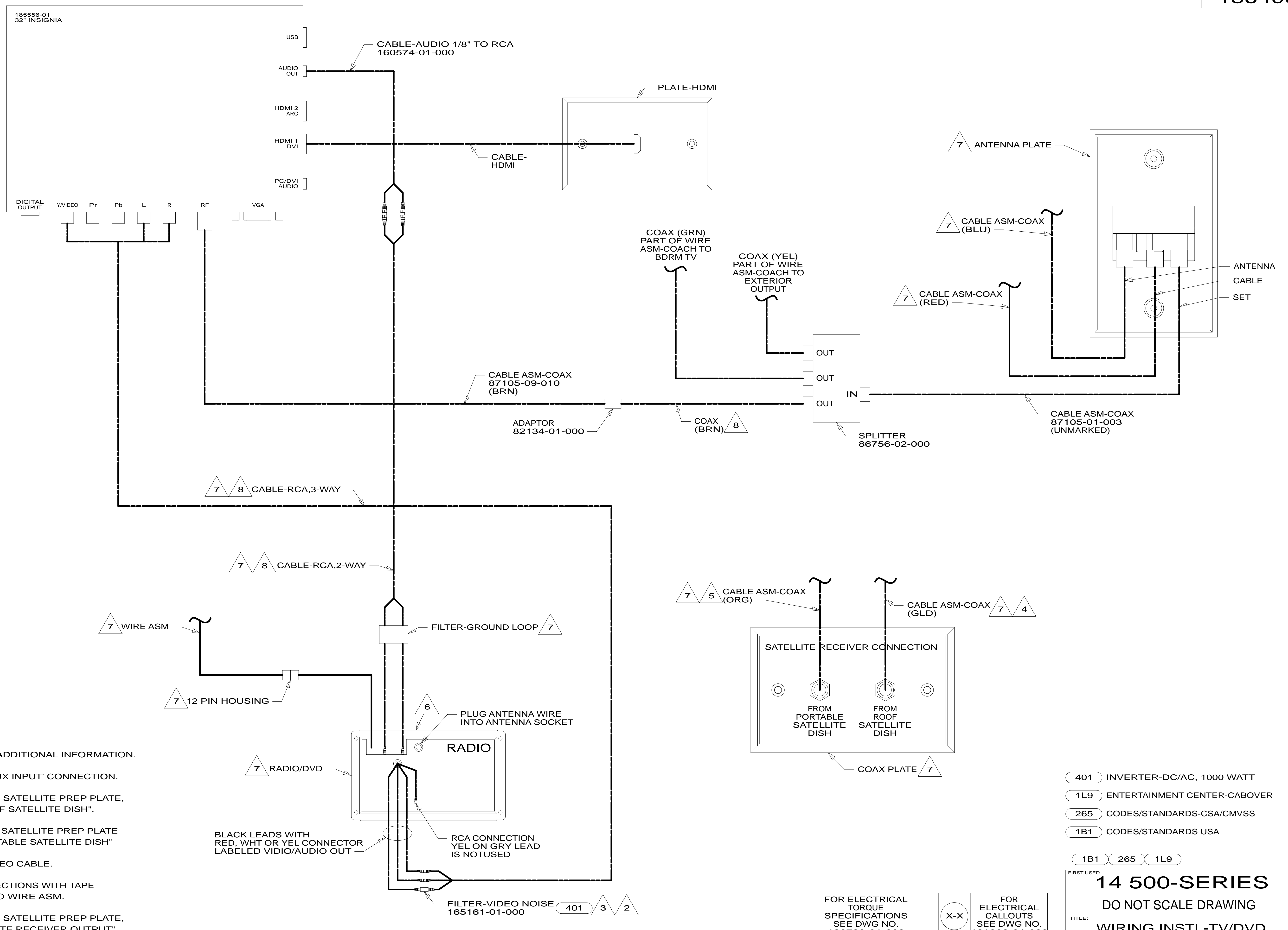
SHEET 6 PART NO **186406** REV

FOR ELECTRICAL  
TORQUE  
SPECIFICATIONS  
SEE DWG NO.  
128783-01-000

FOR  
ELECTRICAL  
CALLOUTS  
SEE DWG NO.  
121339-01-000

- NOTES:
- 2 WIRE ROUTED IN ROOF.
  - 1 SEE WIRING INSTL-BODY,110V AND LOAD CENTER/ATS ASM FOR ADDITIONAL INFORMATION.

\* 186406 \* A



- NOTES:
- 8 WIRE IS ROUTED IN ROOF.
  - 7 SEE WIRING INSTL-BODY,12V FOR ADDITIONAL INFORMATION.
  - 6 CONNECT CABLE-RCA TO RADIO 'AUX INPUT' CONNECTION.
  - 5 CONNECTED TO THE REAR SIDE OF SATELLITE PREP PLATE, CONNECTION LABELED "FROM ROOF SATELLITE DISH".
  - 4 CONNECTED TO THE REAR SIDE OF SATELLITE PREP PLATE CONNECTION LABELED "FROM PORTABLE SATELLITE DISH"
  - 3 CONNECTS IN-LINE OF YELLOW VIDEO CABLE.
  - 2 WRAP BOTH ENDS OF FILTER CONNECTIONS WITH TAPE 8363-01-000 TO SECURE FILTER TO WIRE ASM.
  - 1 CONNECTED TO THE REAR SIDE OF SATELLITE PREP PLATE, CONNECTION LABELED "TO SATELLITE RECEIVER OUTPUT".

FOR ELECTRICAL TORQUE SPECIFICATIONS SEE DWG NO. 128783-01-000

FOR ELECTRICAL CALLOUTS SEE DWG NO. 121339-01-000

- 401 INVERTER-DC/AC, 1000 WATT
- 1L9 ENTERTAINMENT CENTER-CABOVER
- 265 CODES/STANDARDS-CSA/CMVSS
- 1B1 CODES/STANDARDS USA

FIRST USED

**14 500-SERIES**

DO NOT SCALE DRAWING

TITLE: **WIRING INSTL-TV/DVD**

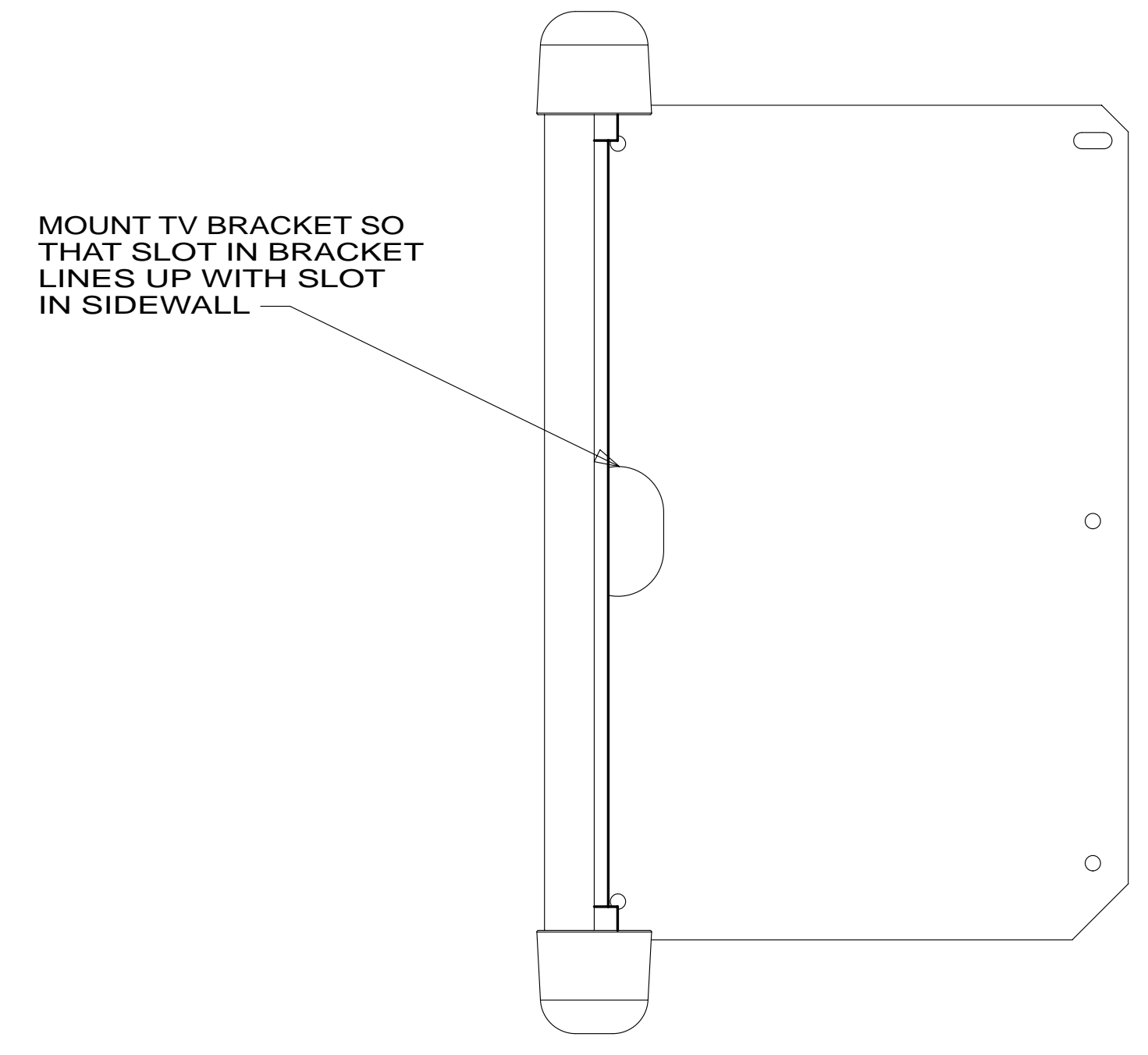
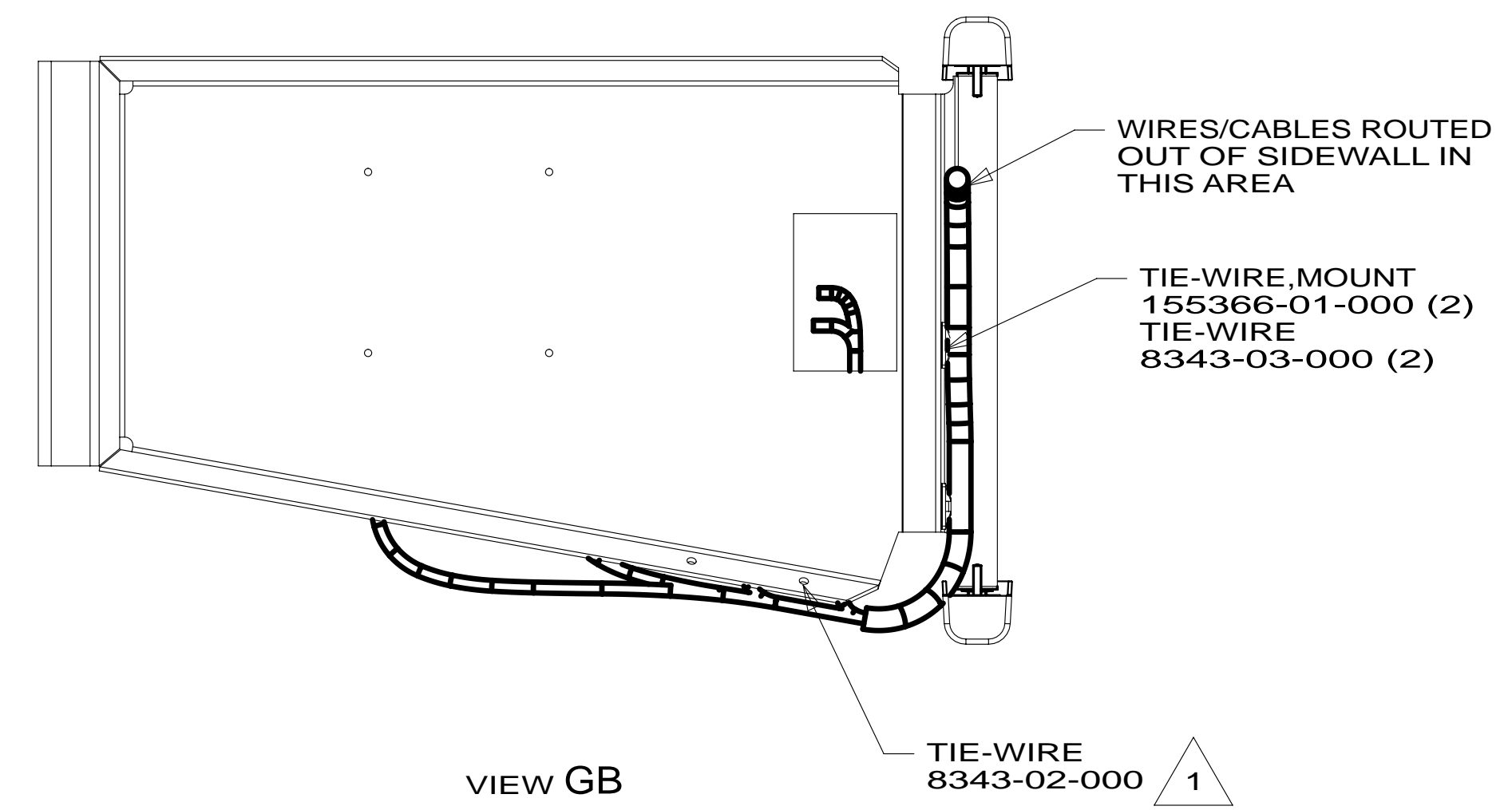
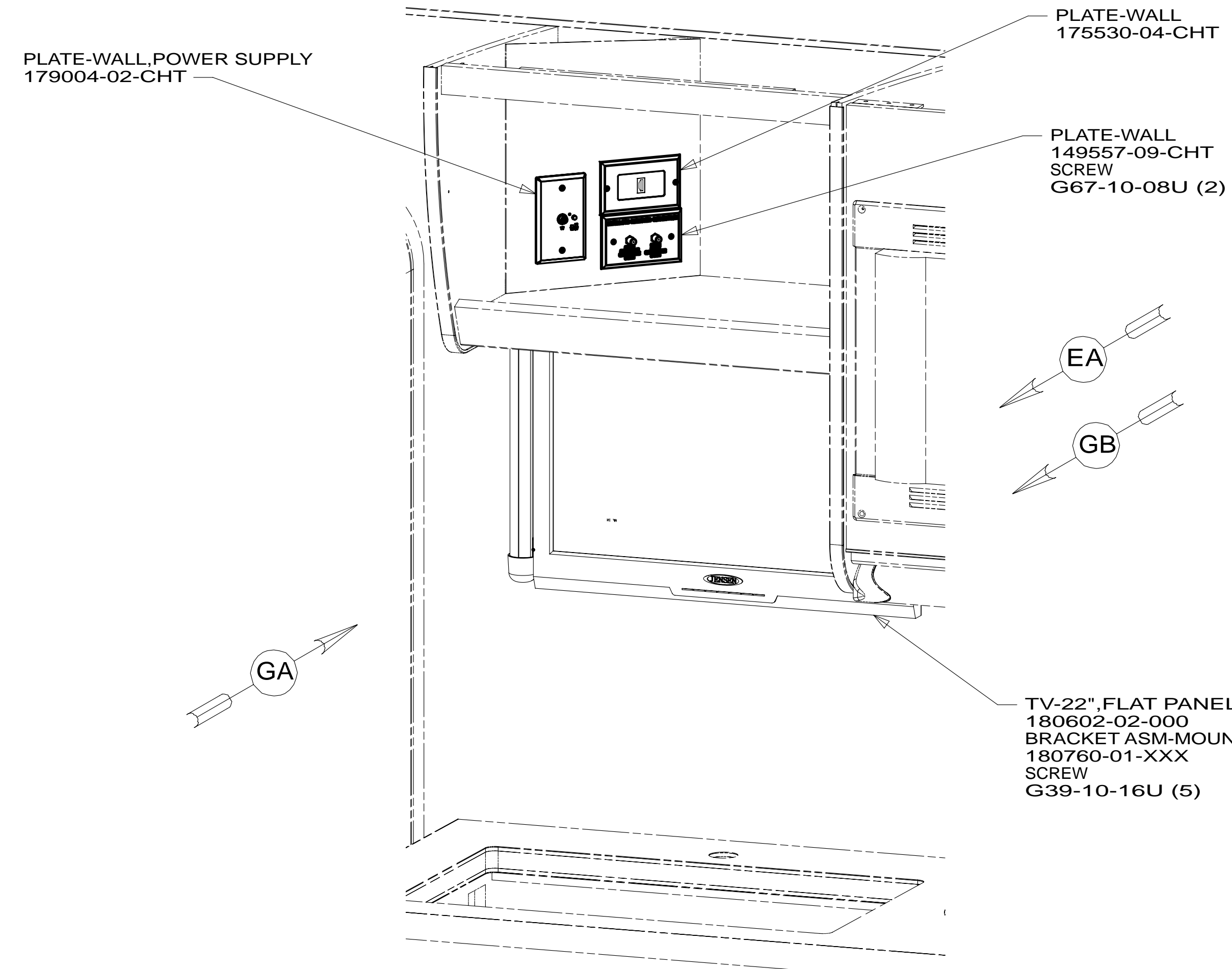
SHEET 7 PART NO **186406** REV

12-May-2014

DETAIL FA

\* 186406 \* A





1 USE HOLES IN BRACKET ASM-MOUNT, TV TO ATTACH WIRE ASM TO BRACKET ASM-MOUNT, TV WITH WIRE TIES.

FOR ELECTRICAL TORQUE SPECIFICATIONS SEE DWG NO. 128783-01-000

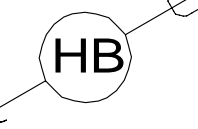
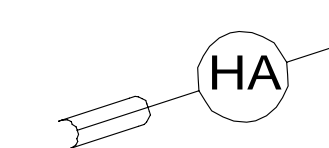
X-X FOR ELECTRICAL CALLOUTS SEE DWG NO. 121339-01-000

- 68E TV - DC 22" LCD W/REMOTE
- 265 CODES/STANDARDS-CSA/CMVSS
- 1B1 CODES/STANDARDS USA

1B1	265
FIRST USED	
<b>14 500-SERIES</b>	
DO NOT SCALE DRAWING	
TITLE: <b>WIRING INSTL-TV/DVD</b>	
SHEET 8	PART NO <b>186406</b> REV

\* 186406 \* A

GROMMET  
114208-07-000



TV-22",FLAT PANEL LED, HDTV  
180602-02-000  
WIRE ASM-TV  
170909-02-000  
PLATE-MOUNTING  
163321-05-CHT  
SCREW  
(SUPPLIED WITH TV)  
SCREW  
G39-10-10U (2)

PIPE COVER  
(REF)

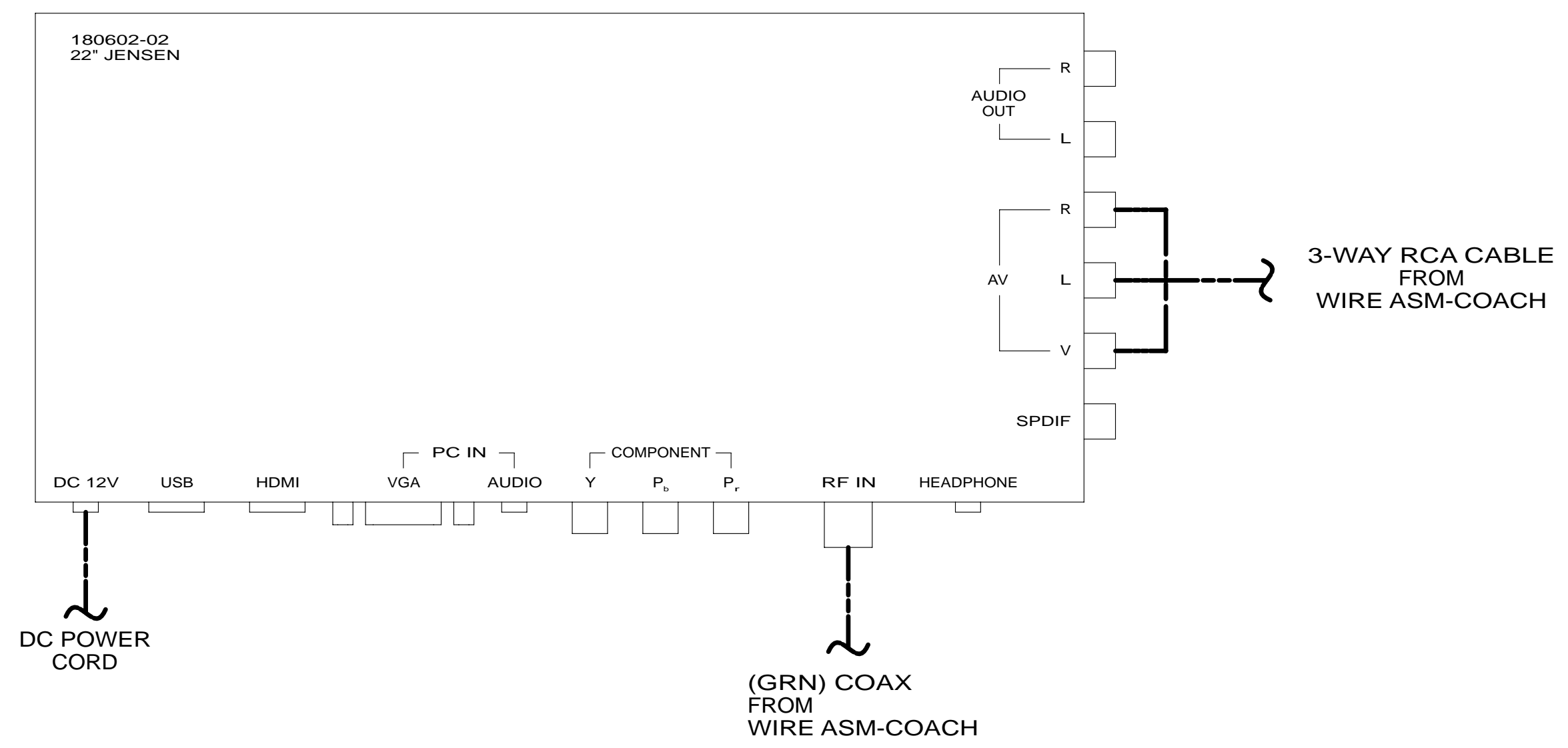
83

747

BRACKET-TV  
158394-12-CHT  
SCREW  
G11-10-12U (6)  
GROMMET  
114208-05-000

BED BOARD  
(REF)

VIEW HA



VIEW HB

1 USE HOLES IN BRACKET ASM-MOUNT,TV TO ATTACH WIRE ASM TO BRACKET ASM-MOUNT,TV WITH WIRE TIES.

NOTES:

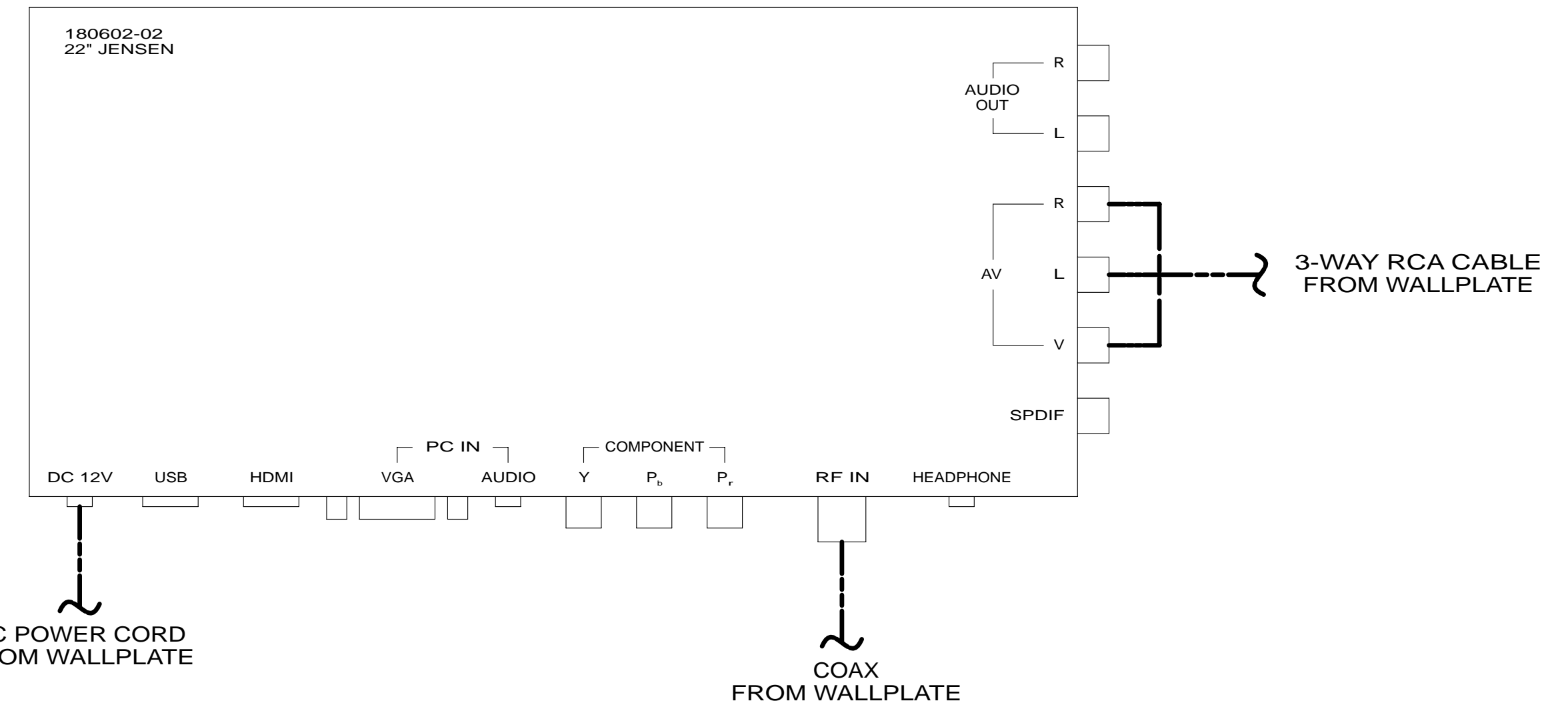
FOR ELECTRICAL TORQUE SPECIFICATIONS SEE DWG NO. 128783-01-000

FOR ELECTRICAL CALLOUTS SEE DWG NO. 121339-01-000

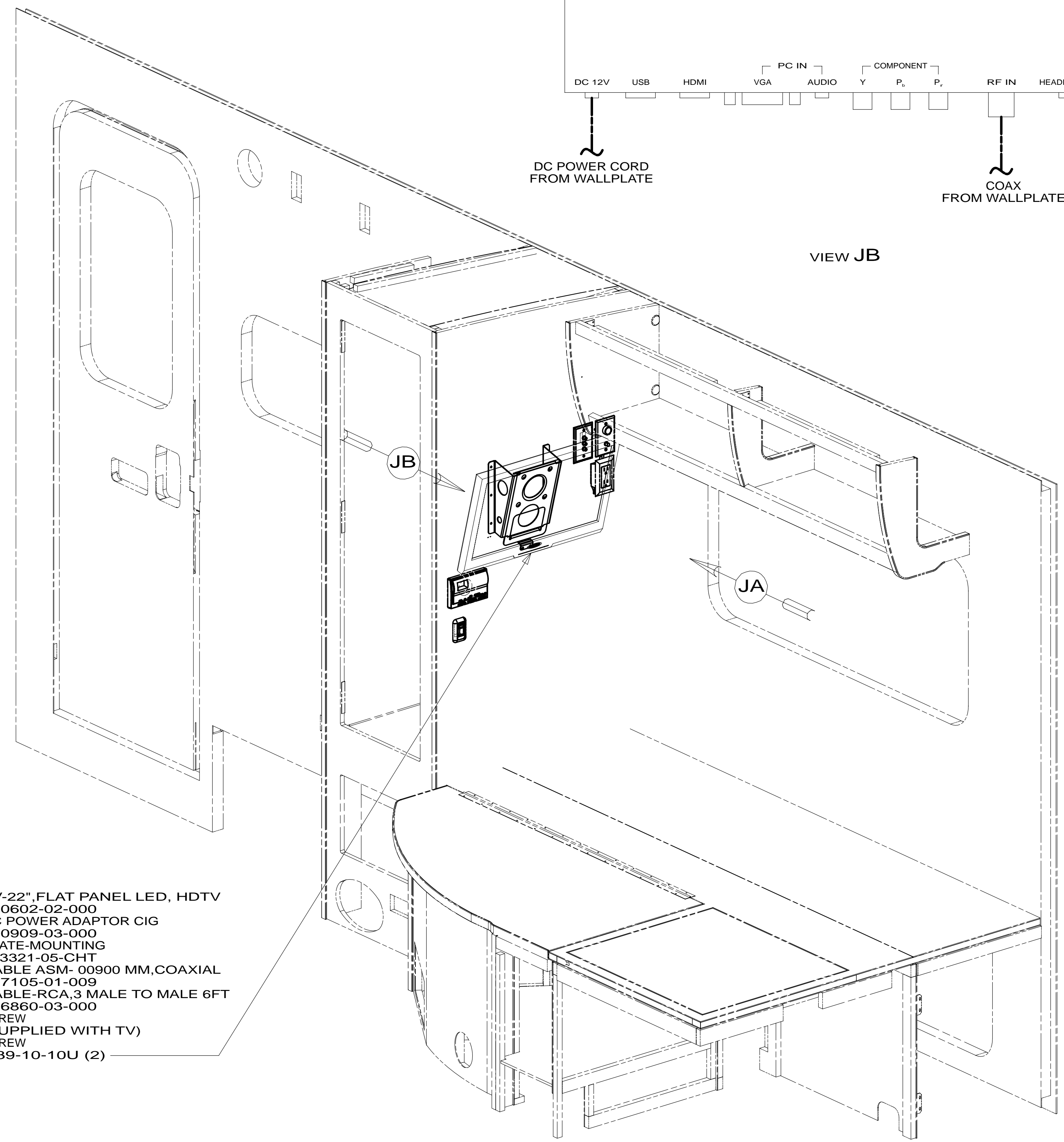
- 68B TV (REAR)DC 22" LCD W/REMOTE
- 265 CODES/STANDARDS-CSA/CMVSS
- 1B1 CODES/STANDARDS USA

1B1	265	68B
FIRST USED		
<b>14 500-SERIES</b>		
DO NOT SCALE DRAWING		
TITLE: <b>WIRING INSTL-TV/DVD</b>		
SHEET 9	PART NO <b>186406</b>	REV

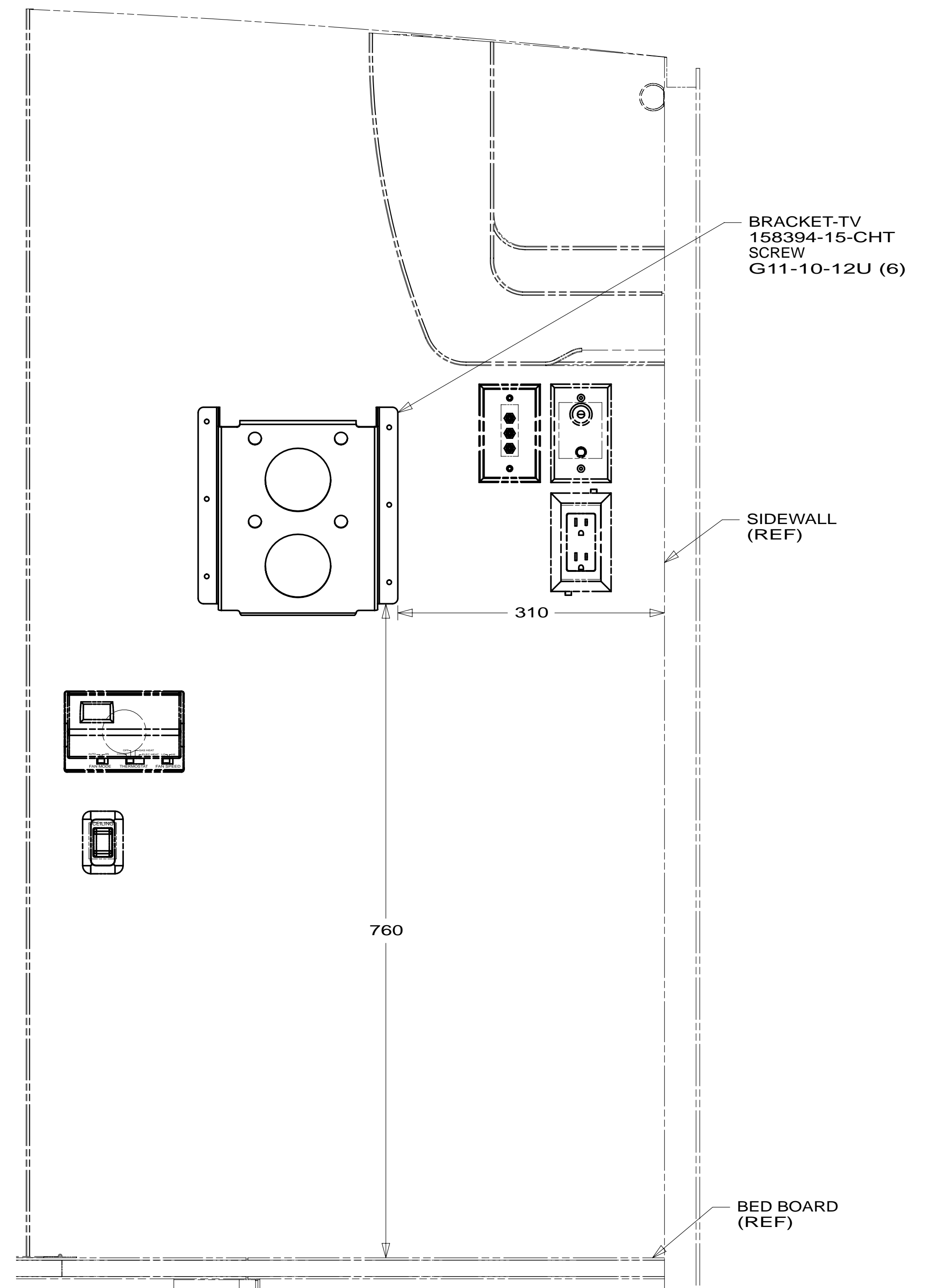
\* 186406 \* A



VIEW JB



- TV-22" FLAT PANEL LED, HDTV  
180602-02-000
- DC POWER ADAPTOR CIG  
170909-03-000
- PLATE-MOUNTING  
163321-05-CHT
- CABLE ASM- 00900 MM.COAXIAL  
087105-01-009
- CABLE-RCA, 3 MALE TO MALE 6FT  
136860-03-000
- SCREW  
(SUPPLIED WITH TV)
- SCREW  
G39-10-10U (2)



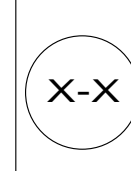
VIEW JA

- 68B TV (REAR)DC 22" LCD W/REMOTE
- 265 CODES/STANDARDS-CSA/CMVSS
- 1B1 CODES/STANDARDS USA

1B1	265	68B
FIRST USED		
<b>14 500-SERIES</b>		
DO NOT SCALE DRAWING		
TITLE: <b>WIRING INSTL-TV/DVD</b>		
SHEET 10	PART NO <b>186406</b>	REV
12-May-2014		

FOR ELECTRICAL  
TORQUE  
SPECIFICATIONS  
SEE DWG NO.  
128783-01-000

FOR  
ELECTRICAL  
CALLOUTS  
SEE DWG NO.  
121339-01-000



\* 186406 \* A