



DANGER

Danger of electrical shock, burns or death. Always remove all power sources before attempting any repair, service or diagnostic work. Power can be present from shore power, generator, inverter or battery. All power sources must be disabled and secured before performing any service.



CAUTION

If you lack the skills, tools or equipment to perform diagnostic or repair work leave such work to an authorized Winnebago Industries dealer or other qualified shop.

DRAWING NO.	FEATURE
186399-12	1B1 78J
186399-16	265 78J

RELEASE	REV/DATE A	DWG NO 186399
REV ZONE	REVISION RECORD	DATE DFR-ORIG

D

D

C

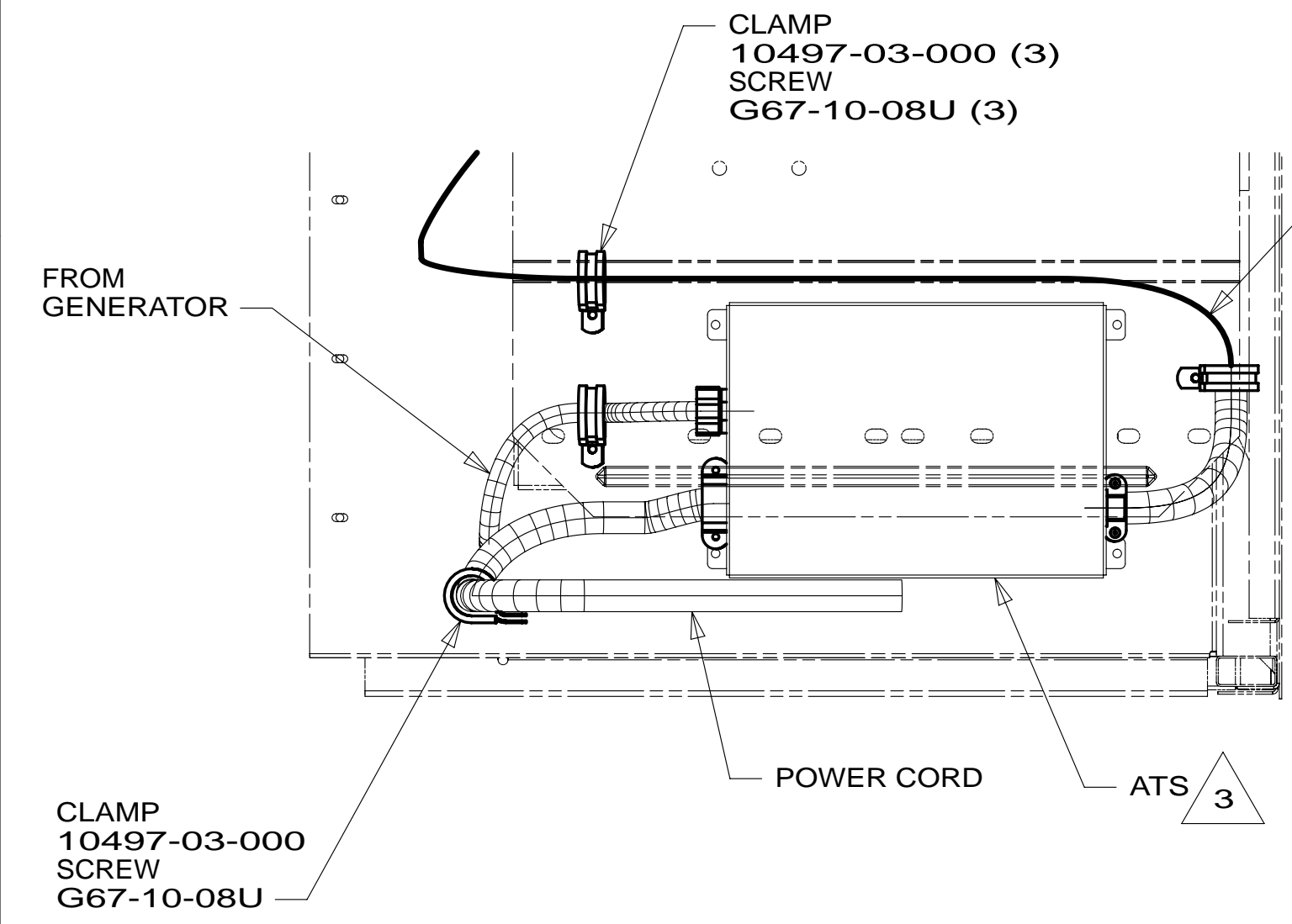
C

B

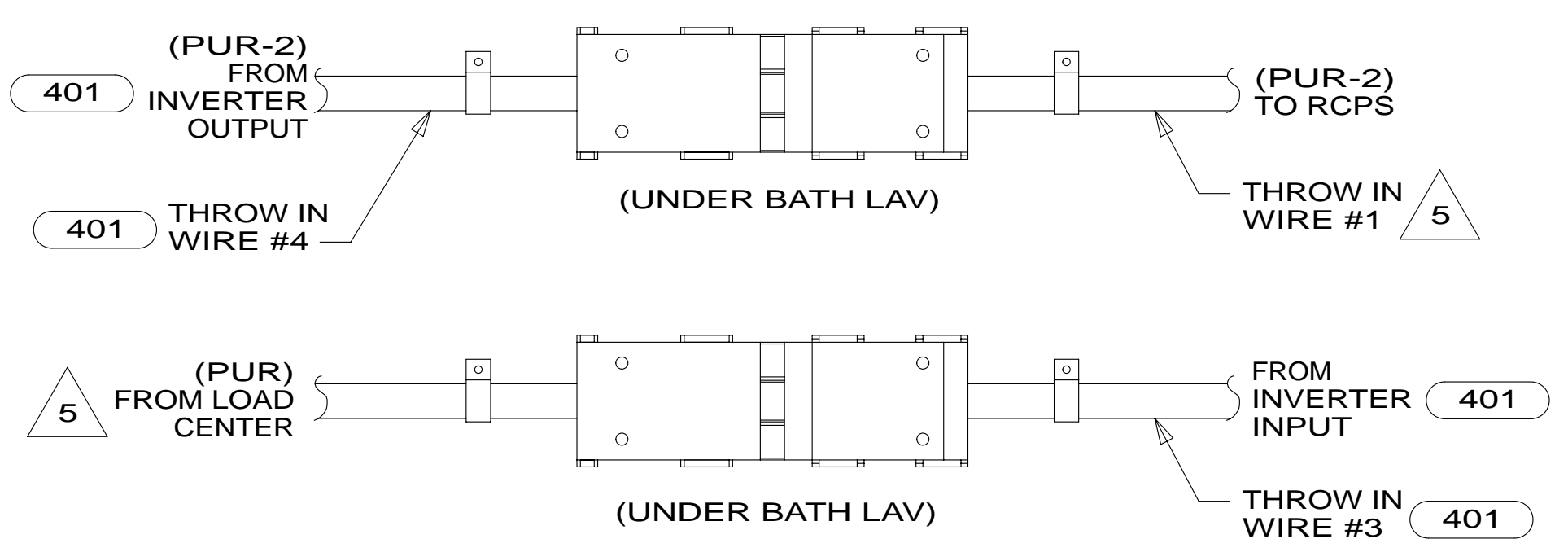
B

A

A



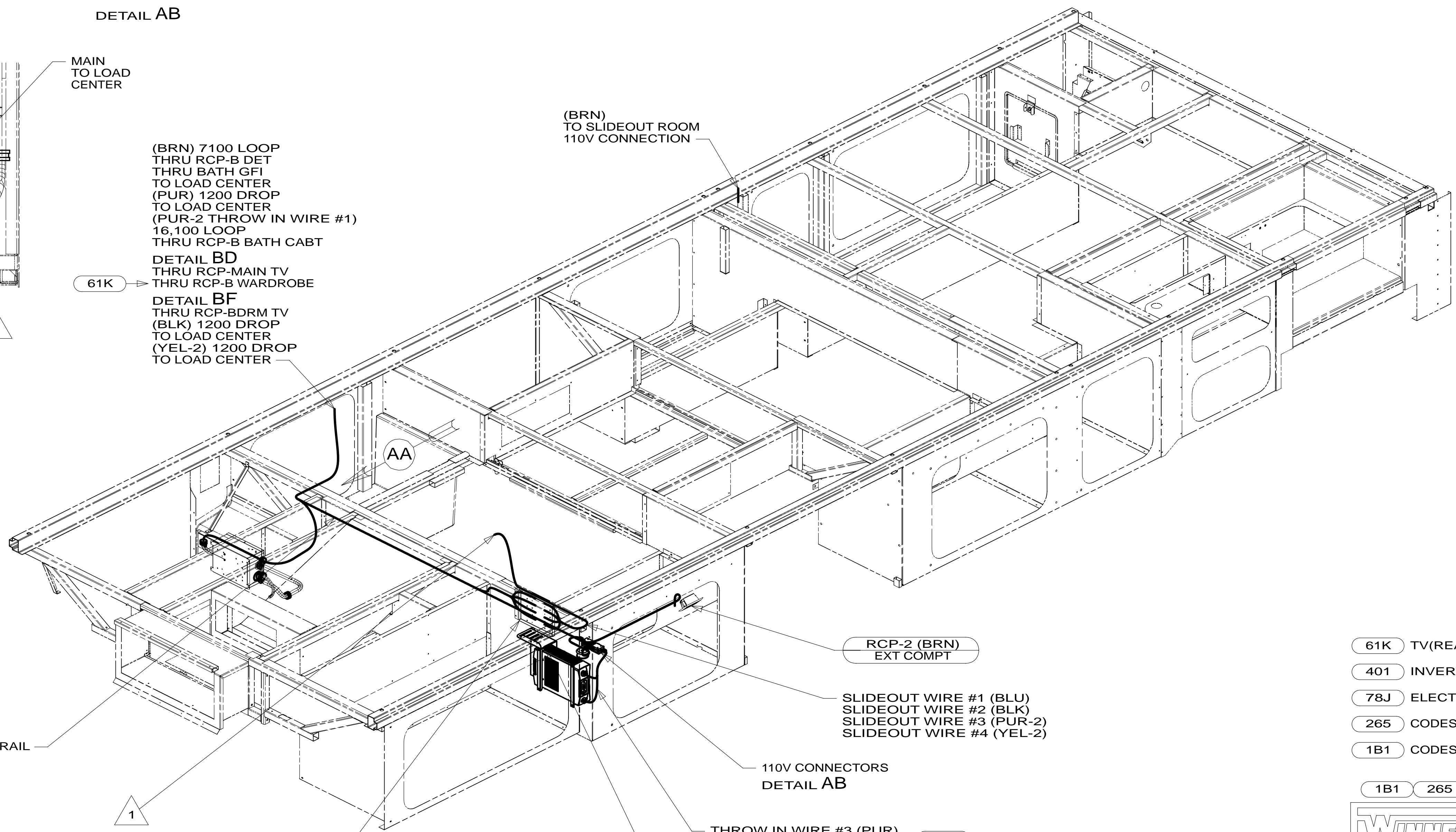
VIEW AA



DETAIL AB

- (BRN) 7100 LOOP THRU RCP-B DET THRU BATH GFI TO LOAD CENTER
- (PUR) 1200 DROP TO LOAD CENTER
- (PUR-2) THROW IN WIRE #1) 16,100 LOOP THRU RCP-B BATH CABT
- DETAIL BD THRU RCP-MAIN TV THRU RCP-B WARDROBE
- DETAIL BF THRU RCP-BDRM TV (BLK) 1200 DROP TO LOAD CENTER (YEL-2) 1200 DROP TO LOAD CENTER

61K



- 5 WITHOUT INVERTER THROW IN #2 (PUR-2) CONNECTS TO (PUR) FROM LOAD CENTER.
- 4 WIRE IS PART OF WIRE ASM-CHASSIS.
- 3 SEE LOAD CENTER/ATS ASM FOR ADDITIONAL INFORMATION.
2. ALL WIRES TO BE SECURED WITH CLAMP 10495 OR 10497 OR WIRE TIE 8343 OR 108046 EVERY 600MM, USE SCREW G67-XX-XXX OR G56-XX-XXX AS APPROPRIATE FOR INSTALLATION.
- 1 WIRES PASS THROUGH FLOOR IN THIS AREA.

NOTES:

- 61K TV(REAR)-26" COLOR STEREO
- 401 INVERTER-DC/AC, 1000 WATT
- 78J ELECTRICAL SYSTEM-50 AMP
- 265 CODES/STANDARDS-CSA/CMVSS
- 1B1 CODES/STANDARDS USA

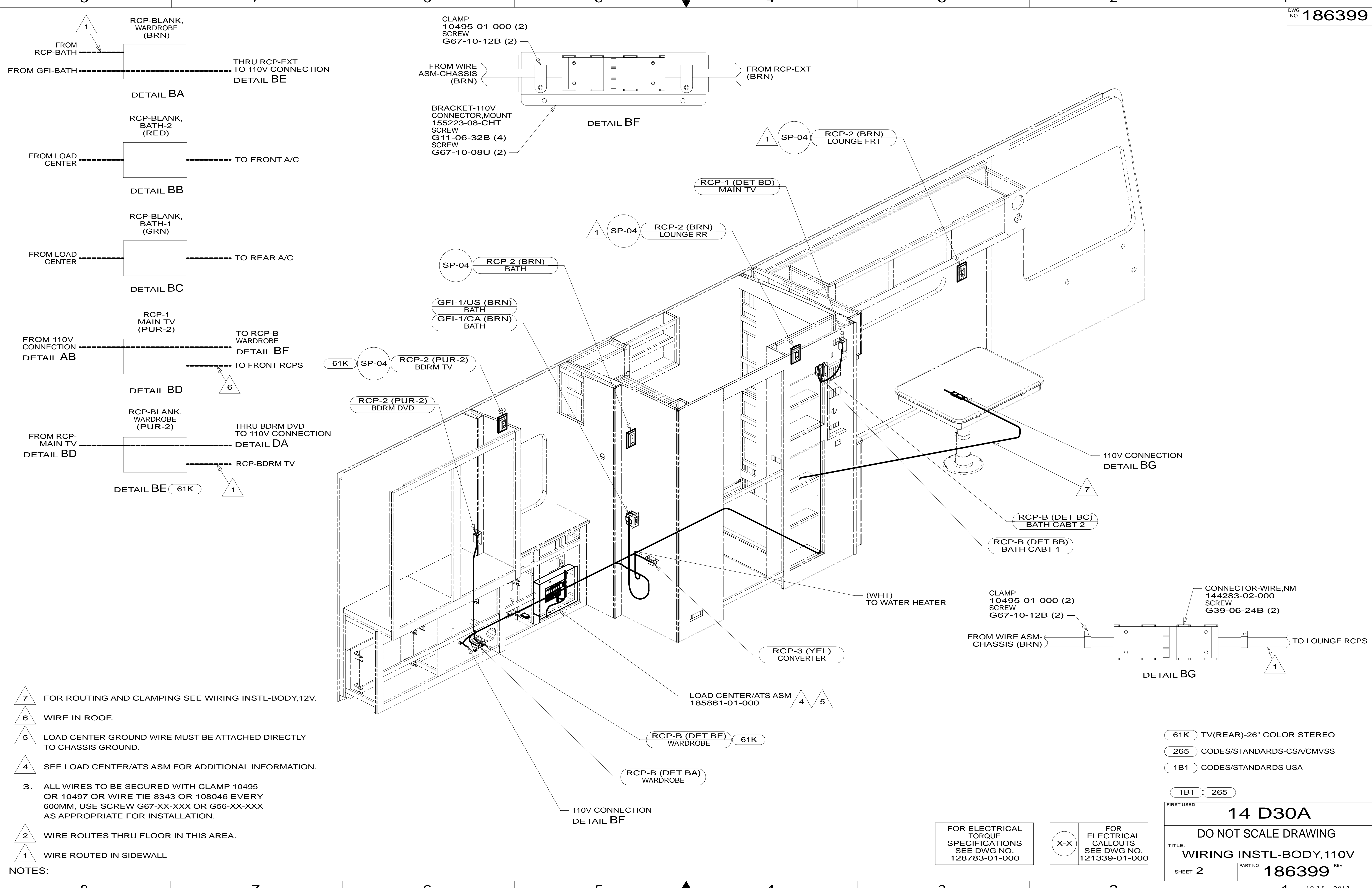
1B1 265



DFTR	ORIG. DATE
CHKR	ALL DIMENSIONS ARE IN MILLIMETERS
P.E.	FIRST USED
M.E.	14 D30A
DSNR	MATERIAL:
UNSPECIFIED TOLERANCES ARE:	
WHOLE DIM (X)	: 3
ONE-PLACE (X.X)	: 1.5
TWO-PLACE (X.XX)	: 0.50
ANGLE	: 1'
THIRD ANGLE PROJECTION	
DO NOT SCALE DRAWING	REFER TO ES0018 FOR FASTENER TIGHTENING GUIDELINES
TITLE: WIRING INSTL-BODY,110V	
SHEET 1 OF 5	PART NO 186399 REV

FOR ELECTRICAL TORQUE SPECIFICATIONS SEE DWG NO. 128783-01-000

FOR ELECTRICAL CALLOUTS SEE DWG NO. 121339-01-000



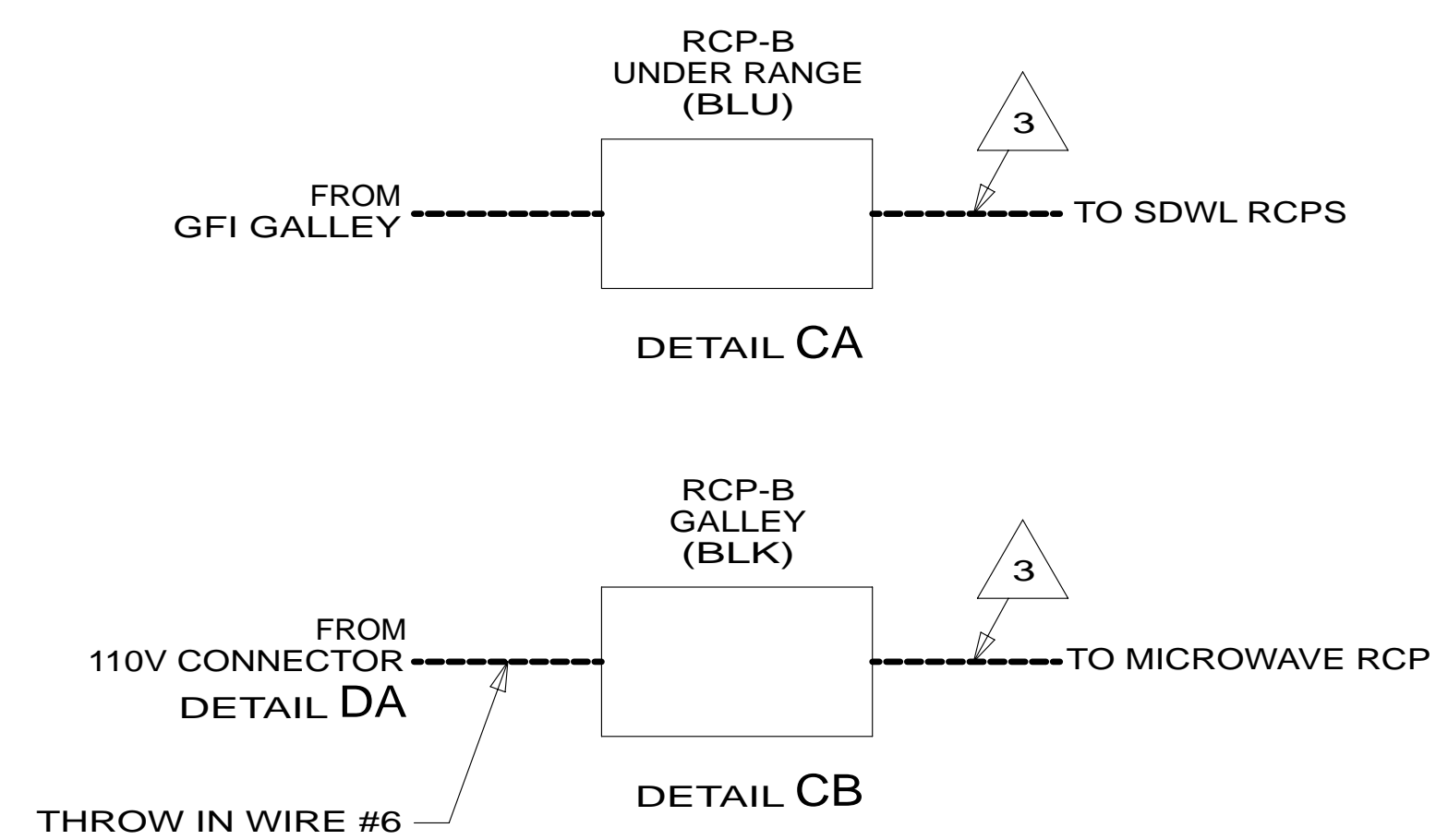
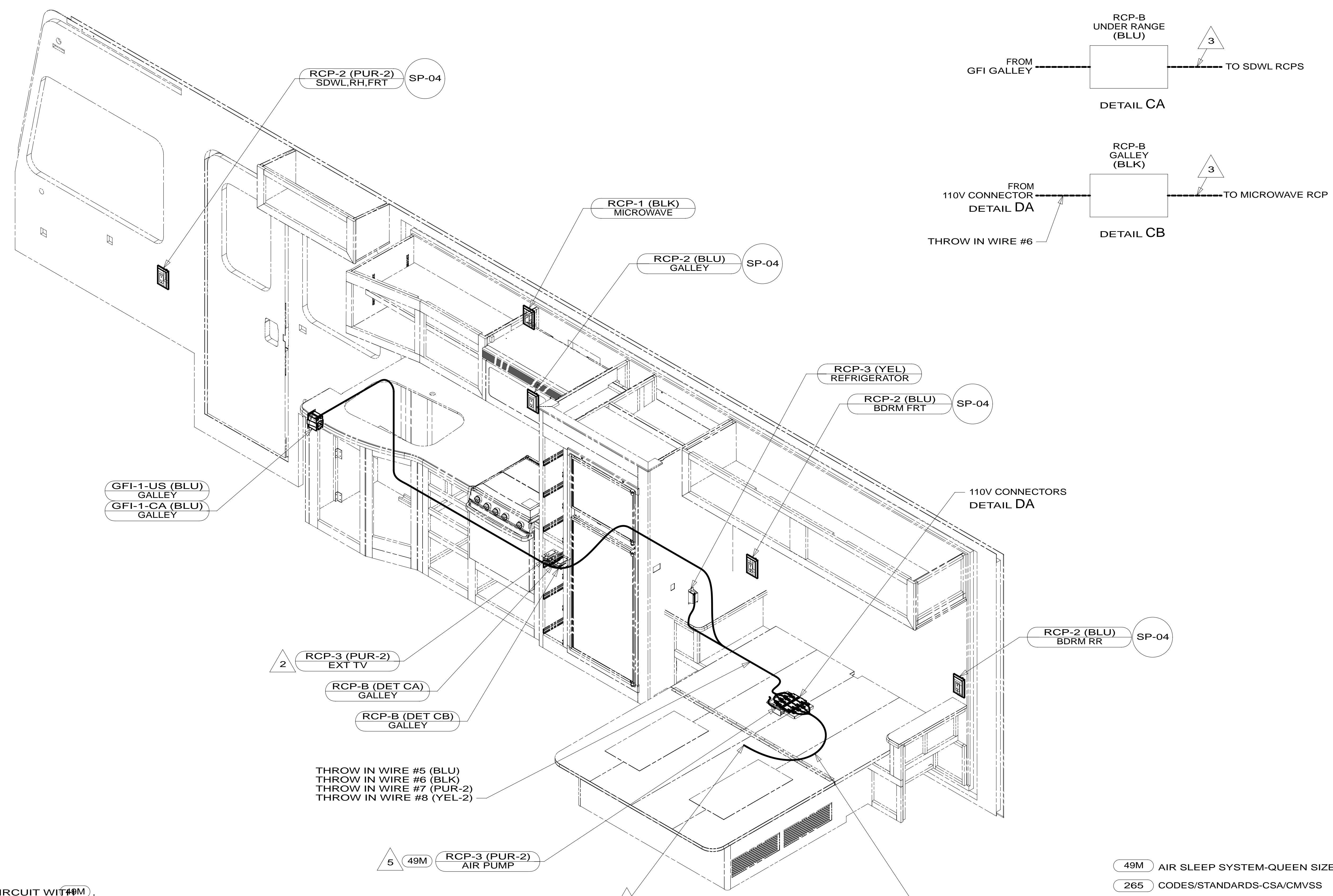
- NOTES:
- 7 FOR ROUTING AND CLAMPING SEE WIRING INSTL-BODY,12V.
 - 6 WIRE IN ROOF.
 - 5 LOAD CENTER GROUND WIRE MUST BE ATTACHED DIRECTLY TO CHASSIS GROUND.
 - 4 SEE LOAD CENTER/ATS ASM FOR ADDITIONAL INFORMATION.
 - 3. ALL WIRES TO BE SECURED WITH CLAMP 10495 OR 10497 OR WIRE TIE 8343 OR 108046 EVERY 600MM, USE SCREW G67-XX-XXX OR G56-XX-XXX AS APPROPRIATE FOR INSTALLATION.
 - 2 WIRE ROUTES THRU FLOOR IN THIS AREA.
 - 1 WIRE ROUTED IN SIDEWALL

FOR ELECTRICAL TORQUE SPECIFICATIONS SEE DWG NO. 128783-01-000

FOR ELECTRICAL CALLOUTS SEE DWG NO. 121339-01-000

- 61K TV(REAR)-26" COLOR STEREO
- 265 CODES/STANDARDS-CSA/CMVSS
- 1B1 CODES/STANDARDS USA

FIRST USED	
14 D30A	
DO NOT SCALE DRAWING	
TITLE: WIRING INSTL-BODY, 110V	
SHEET 2	PART NO 186399 REV
18-Mar-2013	



- 5 INSTALL RECEPTACLE IN LINE ON PUR-2 CIRCUIT WITH 49M.
- 4 WIRE ROUTES THRU FLOOR IN THIS AREA.
- 3 WIRE IN SIDEWALL
- 2 WITHOUT EXT TV, MOUNT RECEPTACLE TO SIDEWALL.

1. ALL WIRES TO BE SECURED WITH CLAMP 10495 OR 10497 OR WIRE TIE 8343 OR 108046 EVERY 600MM, USE SCREW G67-XX-XXX OR G56-XX-XXX AS APPROPRIATE FOR INSTALLATION.

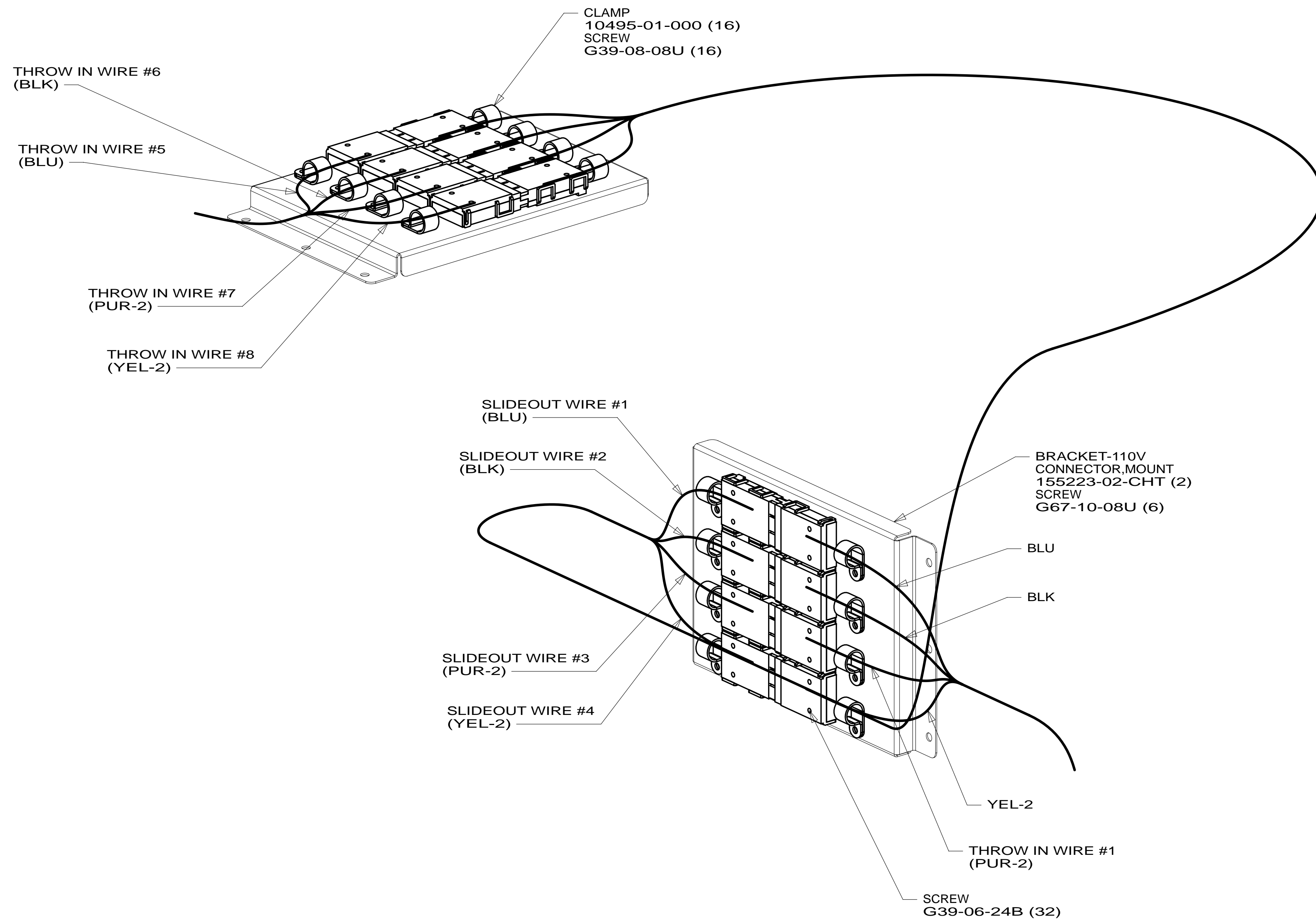
NOTES:

FOR ELECTRICAL TORQUE SPECIFICATIONS SEE DWG NO. 128783-01-000

FOR ELECTRICAL CALLOUTS SEE DWG NO. 121339-01-000

- 49M AIR SLEEP SYSTEM-QUEEN SIZE
- 265 CODES/STANDARDS-CSA/CMVSS
- 1B1 CODES/STANDARDS USA

1B1	265
FIRST USED	
14 D30A	
DO NOT SCALE DRAWING	
TITLE: WIRING INSTL-BODY, 110V	
SHEET 3	PART NO 186399 REV



DETAIL DA

265 CODES/STANDARDS-CSA/CMVSS

1B1 CODES/STANDARDS USA

1B1 265

FIRST USED **14 D30A**

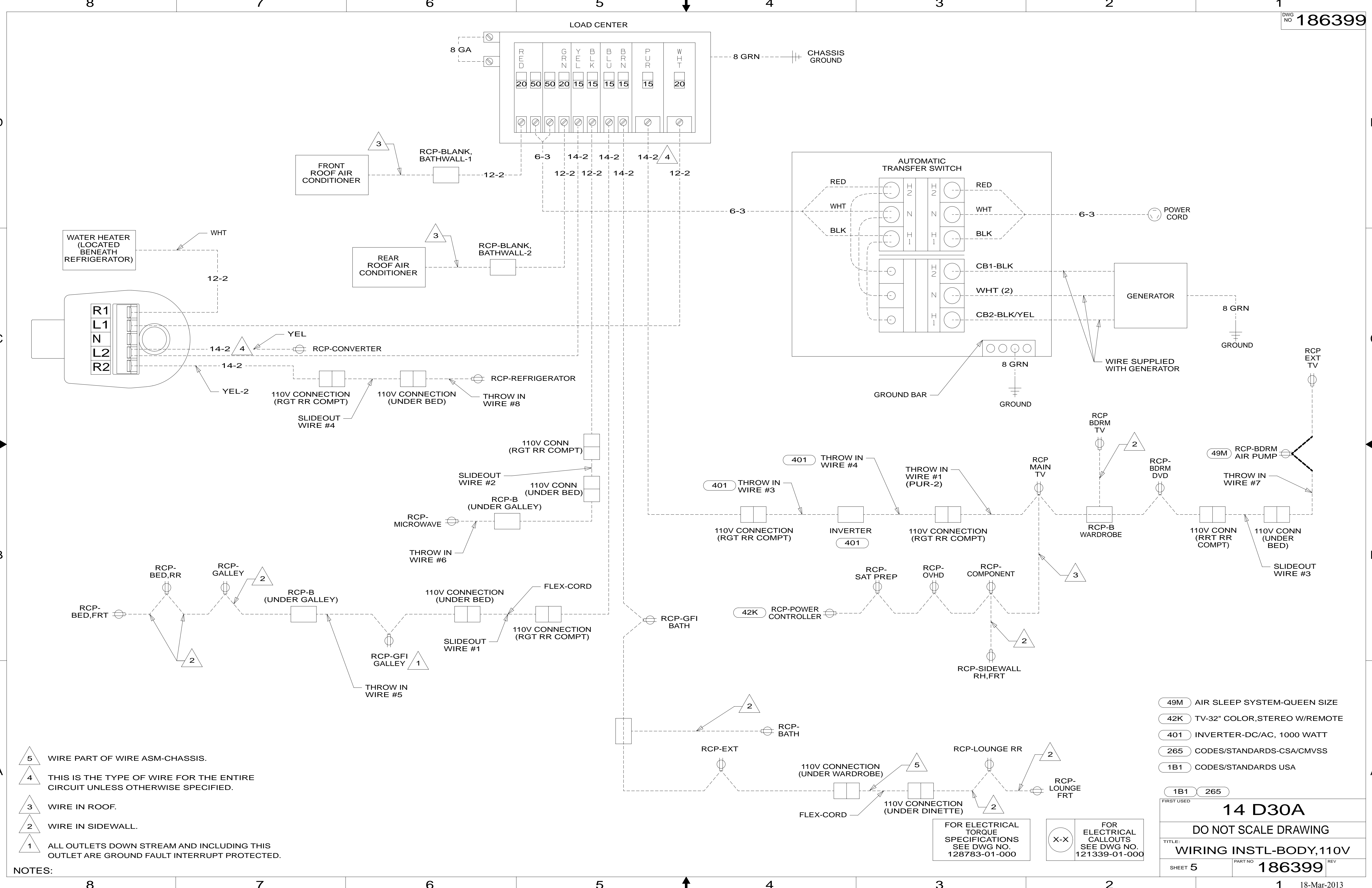
DO NOT SCALE DRAWING

TITLE: **WIRING INSTL-BODY, 110V**

SHEET 4 PART NO **186399** REV

FOR ELECTRICAL TORQUE SPECIFICATIONS SEE DWG NO. 128783-01-000

FOR ELECTRICAL CALLOUTS SEE DWG NO. 121339-01-000



- NOTES:
- 5 WIRE PART OF WIRE ASM-CHASSIS.
 - 4 THIS IS THE TYPE OF WIRE FOR THE ENTIRE CIRCUIT UNLESS OTHERWISE SPECIFIED.
 - 3 WIRE IN ROOF.
 - 2 WIRE IN SIDEWALL.
 - 1 ALL OUTLETS DOWN STREAM AND INCLUDING THIS OUTLET ARE GROUND FAULT INTERRUPT PROTECTED.

- 49M AIR SLEEP SYSTEM-QUEEN SIZE
- 42K TV-32" COLOR, STEREO W/REMOTE
- 401 INVERTER-DC/AC, 1000 WATT
- 265 CODES/STANDARDS-CSA/CMVSS
- 1B1 CODES/STANDARDS USA

FOR ELECTRICAL TORQUE SPECIFICATIONS SEE DWG NO. 128783-01-000

FOR ELECTRICAL CALLOUTS SEE DWG NO. 121339-01-000

FIRST USED		14 D30A	
DO NOT SCALE DRAWING			
TITLE: WIRING INSTL-BODY, 110V			
SHEET 5	PART NO	186399	REV
		18-Mar-2013	