



DANGER

Danger of electrical shock, burns or death. Always remove all power sources before attempting any repair, service or diagnostic work. Power can be present from shore power, generator, inverter or battery. All power sources must be disabled and secured before performing any service.

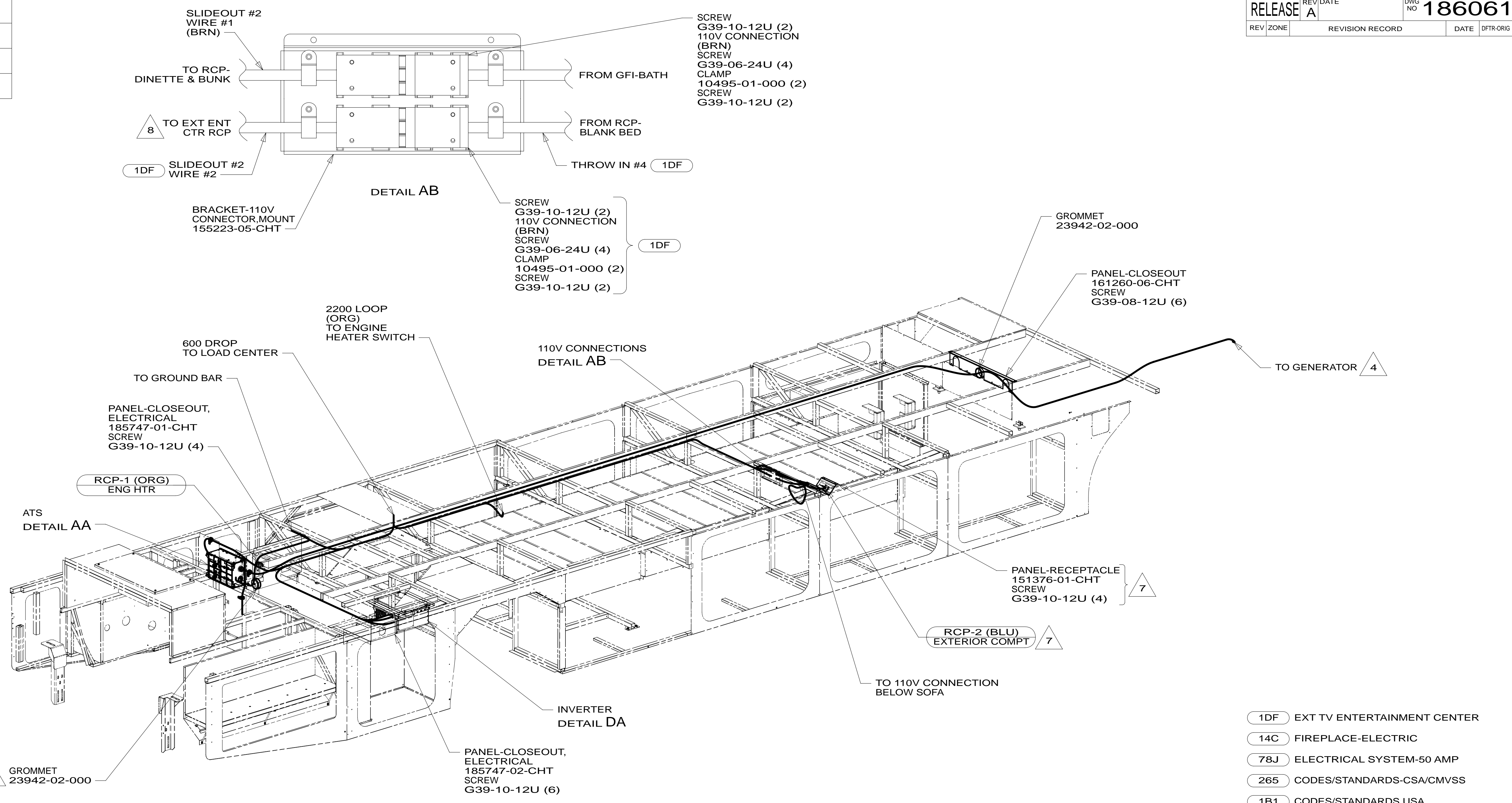


CAUTION

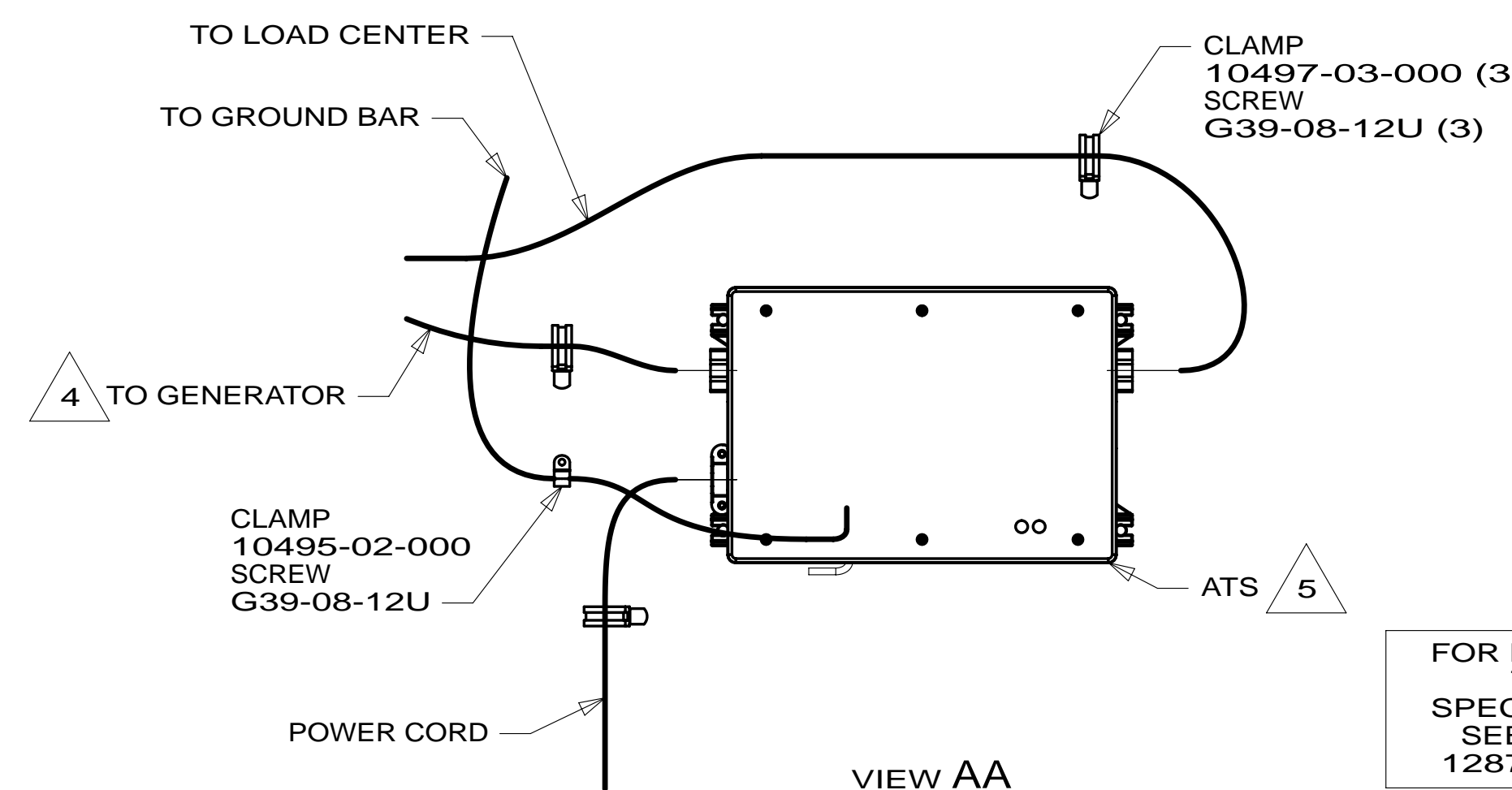
If you lack the skills, tools or equipment to perform diagnostic or repair work leave such work to an authorized Winnebago Industries dealer or other qualified shop.

DRAWING NO.	FEATURES
186061-01	-----
186061-12	1B1 78J
186061-16	265 78J

RELEASE	REV/DATE	DWG NO	186061
REV ZONE	REVISION RECORD	DATE	DFT-ORIG



- NOTES:
- 8 WIRE IN SIDEWALL.
 - 7 NOT USED WITH 1DF. ROUTE WIRES INTO SLIDE ROOM FOR IN-WALL EXTERIOR TV.
 - 6 ROUTE ENGINE HEATER POWER CORD THROUGH GROMMET.
 - 5 SEE LOAD CENTER/ATS ASM FOR ADDITIONAL INFORMATION.
 - 4 SEE GENERATOR INSTL FOR ADDITIONAL INFORMATION.
 - 3. WIRES THAT REST ON WIRE TRAYS ARE TO BE TIED DOWN WITH WIRE TIE 8343-04-000.
 - 2. CLAMP TO FLOOR SUPPORT TUBES AS NECESSARY WITH CLAMP 10497-01-000.
 - 1. ALL WIRES TO BE SECURED WITH CLAMP 10495 OR 10497 OR WIRE TIE 8343 OR 108046 EVERY 600 MM. USE SCREW G67-XX-XXX OR G56-XX-XXX AS APPROPRIATE FOR INSTALLATION.



- 1DF EXT TV ENTERTAINMENT CENTER
- 14C FIREPLACE-ELECTRIC
- 78J ELECTRICAL SYSTEM-50 AMP
- 265 CODES/STANDARDS-CSA/CMVSS
- 1B1 CODES/STANDARDS USA

WINNEBAGO COPYRIGHT 2014 WINNEBAGO INDUSTRIES, INC.

ALL DIMENSIONS ARE IN MILLIMETERS

14 L38R

UNSPECIFIED TOLERANCES ARE:

WHOLE DIM (X)	: 3
ONE-PLACE (X.X)	: 1.5
TWO-PLACE (X.XX)	: 0.50
ANGLE	: 1°

THIRD ANGLE PROJECTION

DO NOT SCALE DRAWING REFER TO ES0018 FOR FASTENER TIGHTENING GUIDELINES

TITLE: WIRING INSTL-BODY, 110V

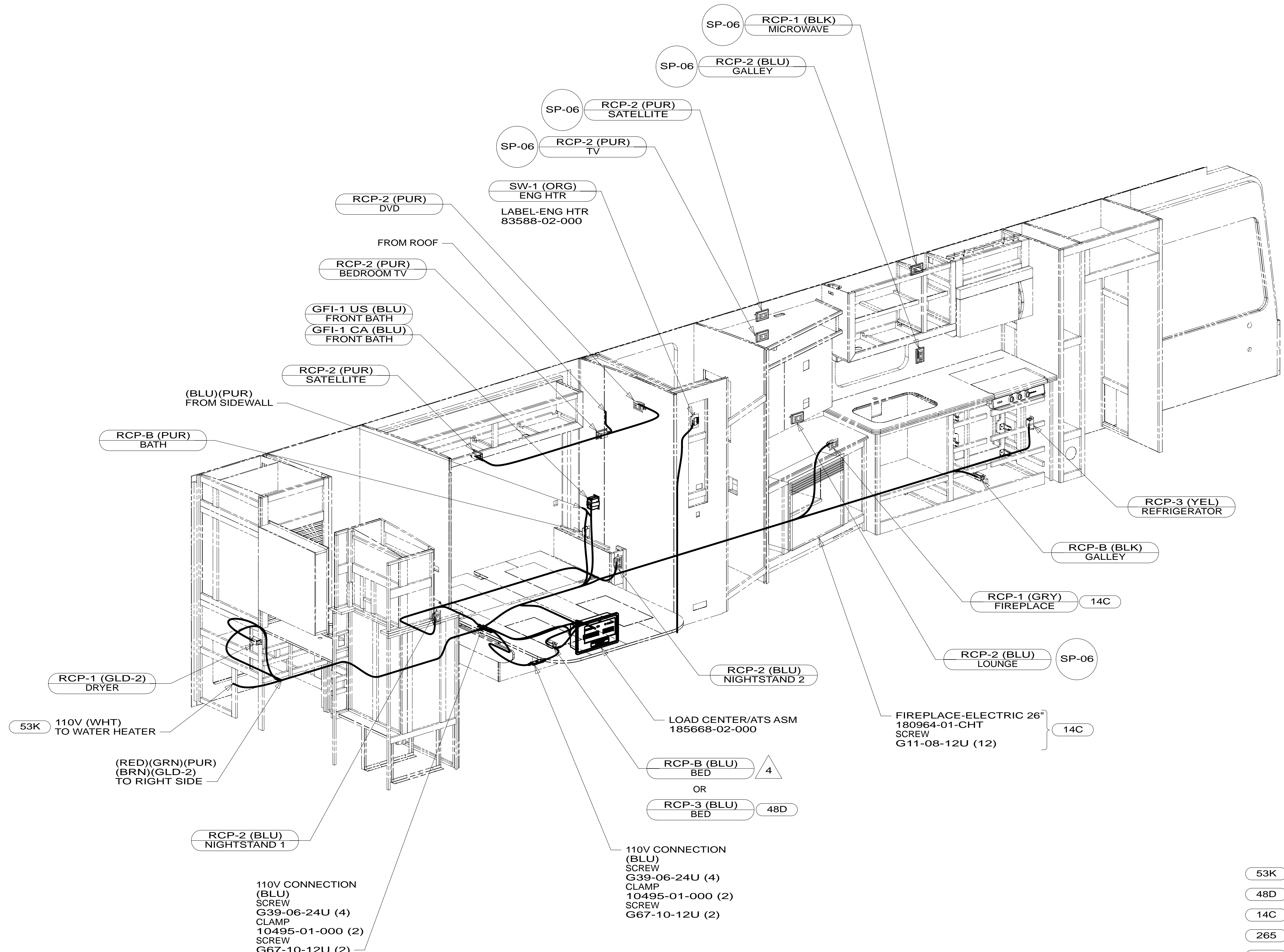
SHEET 1 OF 5 PART NO 186061 REV 1

REF: 1 15-Jul-2014

FOR ELECTRICAL TORQUE SPECIFICATIONS SEE DWG NO. 128783-01-000

FOR ELECTRICAL CALLOUTS SEE DWG NO. 121339-01-000

* 186061



53K 110V (WHT) TO WATER HEATER

(RED)(GRN)(PUR)(BRN)(GLD-2) TO RIGHT SIDE

RCP-2 (BLU) NIGHTSTAND 1

110V CONNECTION (BLU) SCREW G39-06-24U (4) CLAMP 10495-01-000 (2) SCREW G67-10-12U (2)

110V CONNECTION (BLU) SCREW G39-06-24U (4) CLAMP 10495-01-000 (2) SCREW G67-10-12U (2)

LOAD CENTER/ATS ASM 185668-02-000

RCP-B (BLU) BED 4 OR RCP-3 (BLU) BED 48D

FIREPLACE-ELECTRIC 26" 180964-01-CHT SCREW G11-08-12U (12) 14C

RCP-1 (GRY) FIREPLACE 14C

RCP-2 (BLU) LOUNGE SP-06

RCP-B (BLK) GALLEY

RCP-3 (YEL) REFRIGERATOR

4 WITHOUT 48D

3 SEE LOAD CENTER/ATS ASM FOR ADDITIONAL INFORMATION.

2 PUSH WIRE THROUGH ROUTED PATH IN SIDEWALL.

1. ALL WIRES TO BE SECURED WITH CLAMP 10495 OR 10497 OR WIRE TIE 8343 OR 108046 EVERY 600 MM. USE SCREW G67-XX-XXX OR G56-XX-XXX AS APPROPRIATE FOR INSTALLATION.

NOTES:

- 53K WTR HTR-10GAL/ELECTRIC/LPGAS
- 48D BED-QUEEN, AIR SLEEP SYSTEM
- 14C FIREPLACE-ELECTRIC
- 265 CODES/STANDARDS-CSA/CMVSS
- 1B1 CODES/STANDARDS USA

1B1 265

FIRST USED 14 L38R

DO NOT SCALE DRAWING

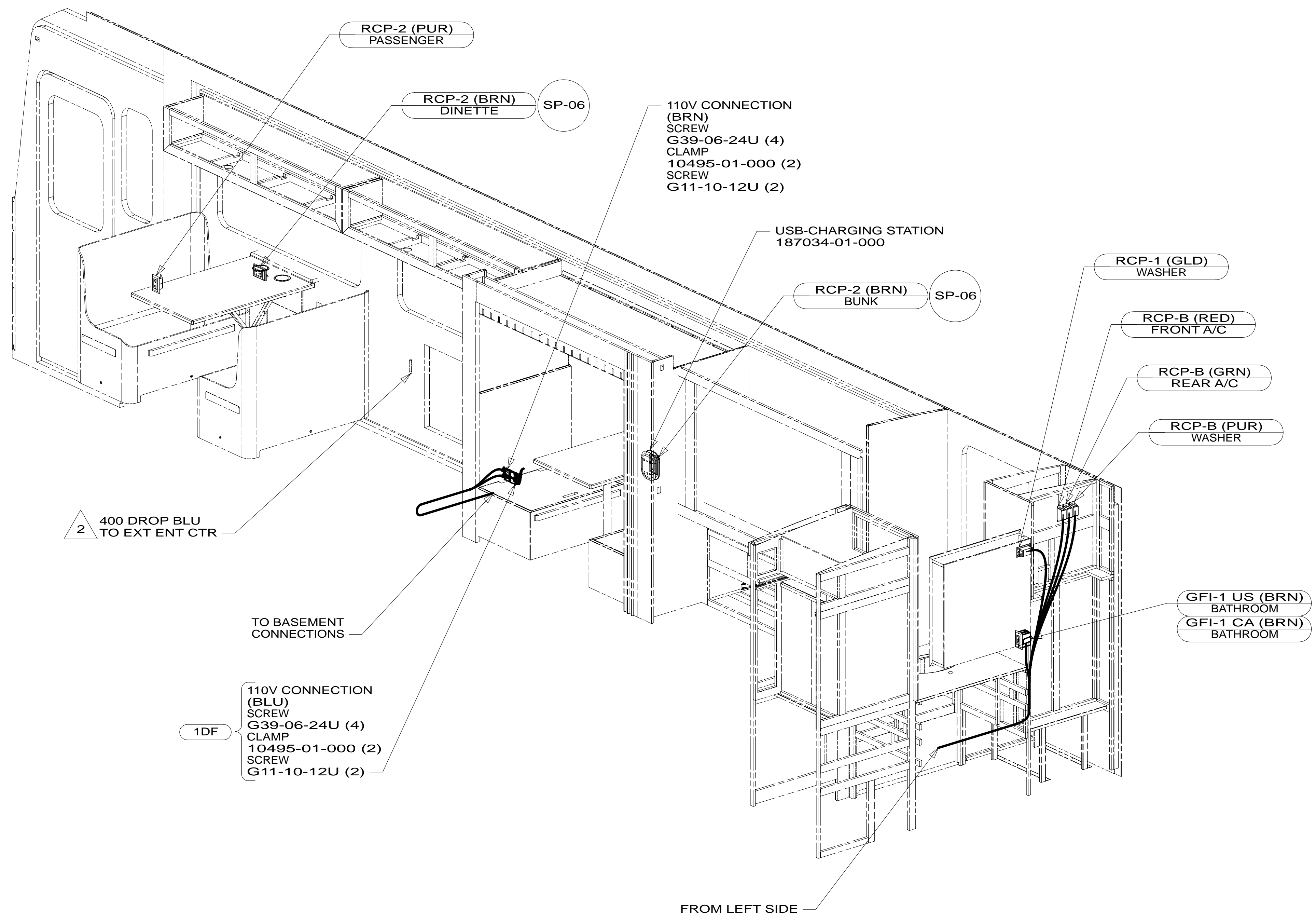
TITLE: WIRING INSTL-BODY, 110V

SHEET 2 PART NO 186061 REV

FOR ELECTRICAL TORQUE SPECIFICATIONS SEE DWG NO. 128783-01-000

FOR ELECTRICAL CALLOUTS SEE DWG NO. 121339-01-000

* 186061



2 SEE ENTERTAINMENT CTR COMPL-TV FOR ADDITIONAL INFORMATION.

1. ALL WIRES TO BE SECURED WITH CLAMP 10495 OR 10497 OR WIRE TIE 8343 OR 108046 EVERY 600 MM. USE SCREW G67-XX-XXX OR G56-XX-XXX AS APPROPRIATE FOR INSTALLATION.

NOTES:

- 1DF EXT TV ENTERTAINMENT CENTER
- 14C FIREPLACE-ELECTRIC
- 265 CODES/STANDARDS-CSA/CMVSS
- 1B1 CODES/STANDARDS USA

1B1 265

FIRST USED **14 L38R**

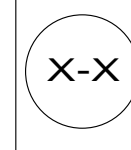
DO NOT SCALE DRAWING

TITLE: **WIRING INSTL-BODY, 110V**

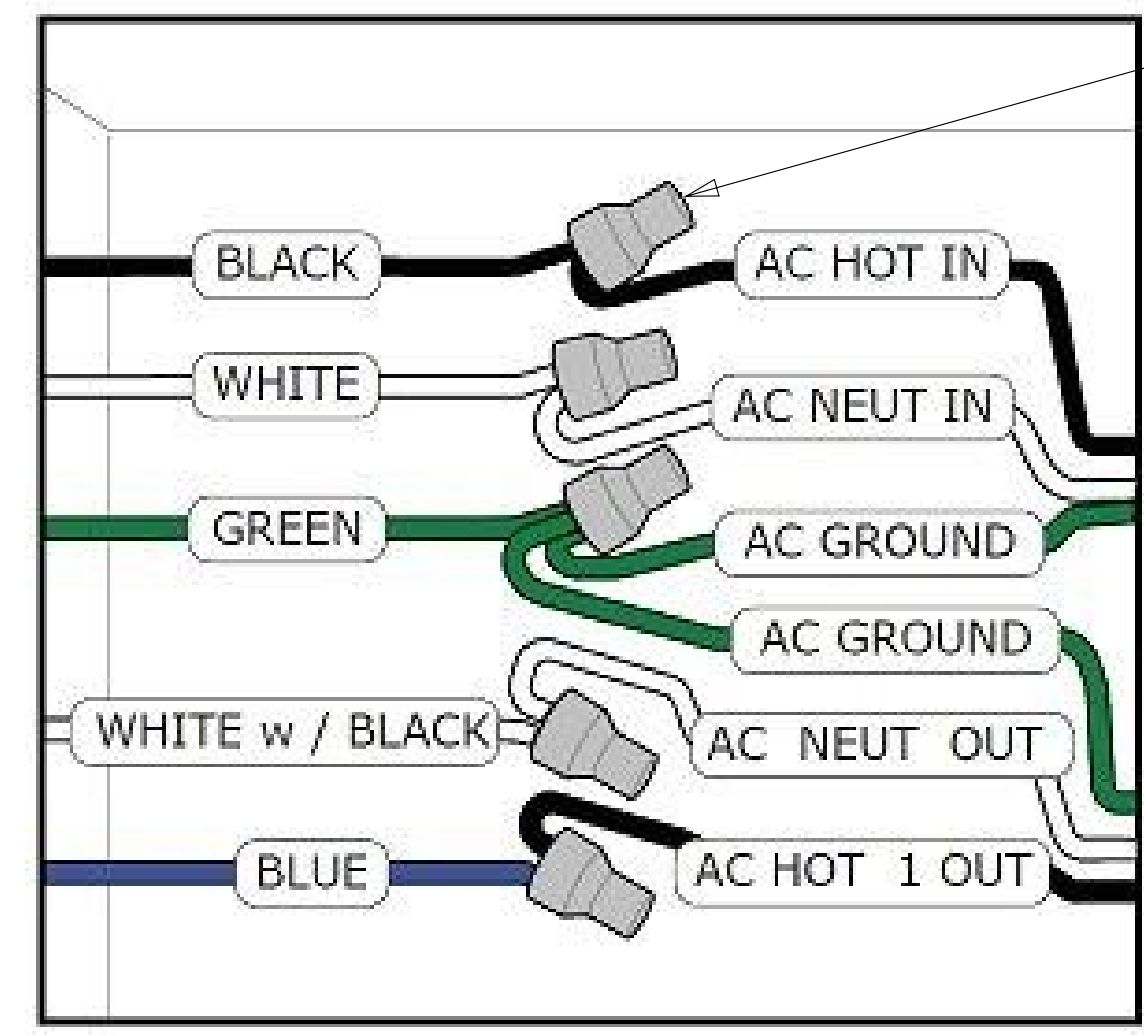
SHEET 3 PART NO **186061** REV

FOR ELECTRICAL TORQUE SPECIFICATIONS SEE DWG NO. 128783-01-000

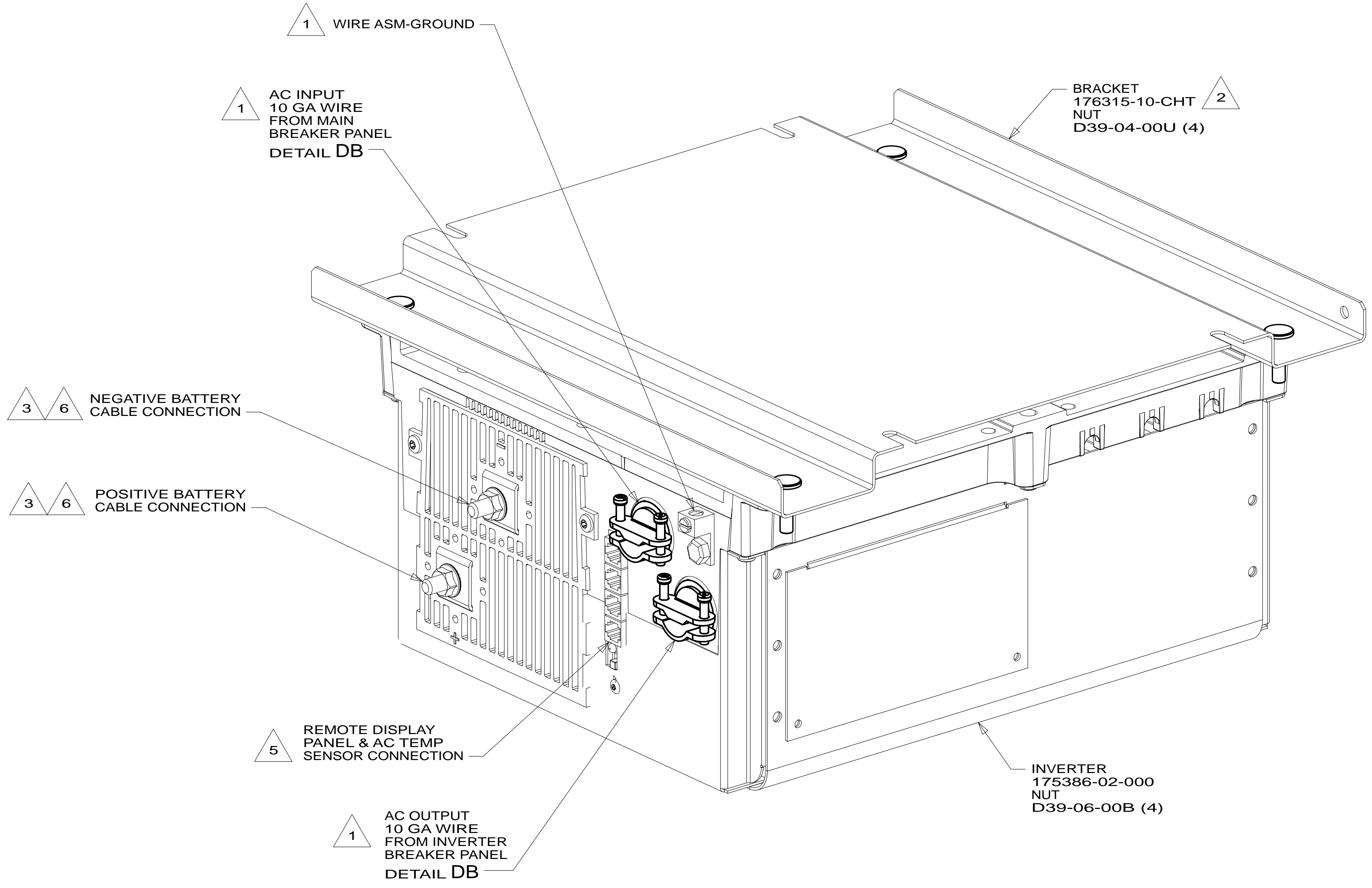
FOR ELECTRICAL CALLOUTS SEE DWG NO. 121339-01-000



A * 186061



DETAIL DB



DETAIL DA

- NOTES:
- 6 DO NOT USE POWER/AIR TOOL TO INSTALL NUT. TORQUE TO 10-12 FT LBS. DO NOT USE A HAMMER.
 - 5 CABLES PART OF WIRE ASM-COACH.
 - 4 SEE INVERTER/CHARGER OWNER'S MANUAL FOR ADDITIONAL INFORMATION.
 - 3 SEE WIRING INSTL-CHASSIS FOR ADDITIONAL INFORMATION.
 - 2 BRACKET IS LOCATED BY HOLES ON BRACKET.
 - 1 SEE LOAD CENTER/ATS ASM FOR ADDITIONAL INFORMATION.

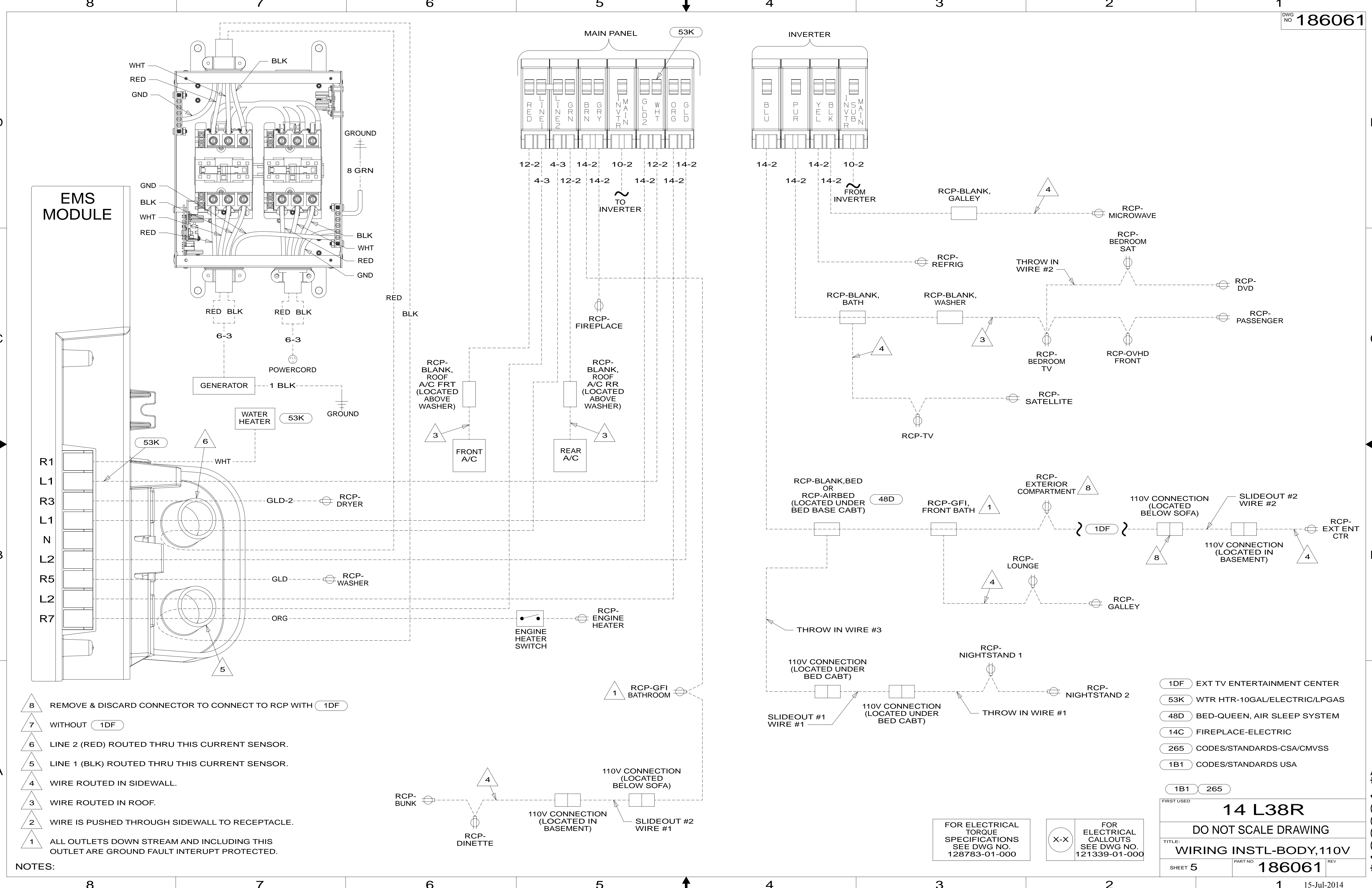
- 265 CODES/STANDARDS-CSA/CMVSS
- 1B1 CODES/STANDARDS USA
- 1B1 265

FOR ELECTRICAL TORQUE SPECIFICATIONS SEE DWG NO. 128783-01-000

FOR ELECTRICAL CALLOUTS SEE DWG NO. 121339-01-000

FIRST USED	
14 L38R	
DO NOT SCALE DRAWING	
TITLE: WIRING INSTL-BODY, 110V	
SHEET 4	PART NO 186061 REV
15-Jul-2014	

* 186061 A *



EMS MODULE

MAIN PANEL

INVERTER

- NOTES:**
- 8 REMOVE & DISCARD CONNECTOR TO CONNECT TO RCP WITH 1DF
 - 7 WITHOUT 1DF
 - 6 LINE 2 (RED) ROUTED THRU THIS CURRENT SENSOR.
 - 5 LINE 1 (BLK) ROUTED THRU THIS CURRENT SENSOR.
 - 4 WIRE ROUTED IN SIDEWALL.
 - 3 WIRE ROUTED IN ROOF.
 - 2 WIRE IS PUSHED THROUGH SIDEWALL TO RECEPTACLE.
 - 1 ALL OUTLETS DOWN STREAM AND INCLUDING THIS OUTLET ARE GROUND FAULT INTERRUPT PROTECTED.

- 1DF EXT TV ENTERTAINMENT CENTER
- 53K WTR HTR-10GAL/ELECTRIC/LPGAS
- 48D BED-QUEEN, AIR SLEEP SYSTEM
- 14C FIREPLACE-ELECTRIC
- 265 CODES/STANDARDS-CSA/CMVSS
- 1B1 CODES/STANDARDS USA

FIRST USED

14 L38R

DO NOT SCALE DRAWING

TITLE: **WIRING INSTL-BODY, 110V**

SHEET 5 PART NO **186061** REV

15-Jul-2014

FOR ELECTRICAL TORQUE SPECIFICATIONS SEE DWG NO. 128783-01-000

FOR ELECTRICAL CALLOUTS SEE DWG NO. 121339-01-000

* 186061