



DANGER

Danger of electrical shock, burns or death. Always remove all power sources before attempting any repair, service or diagnostic work. Power can be present from shore power, generator, inverter or battery. All power sources must be disabled and secured before performing any service.

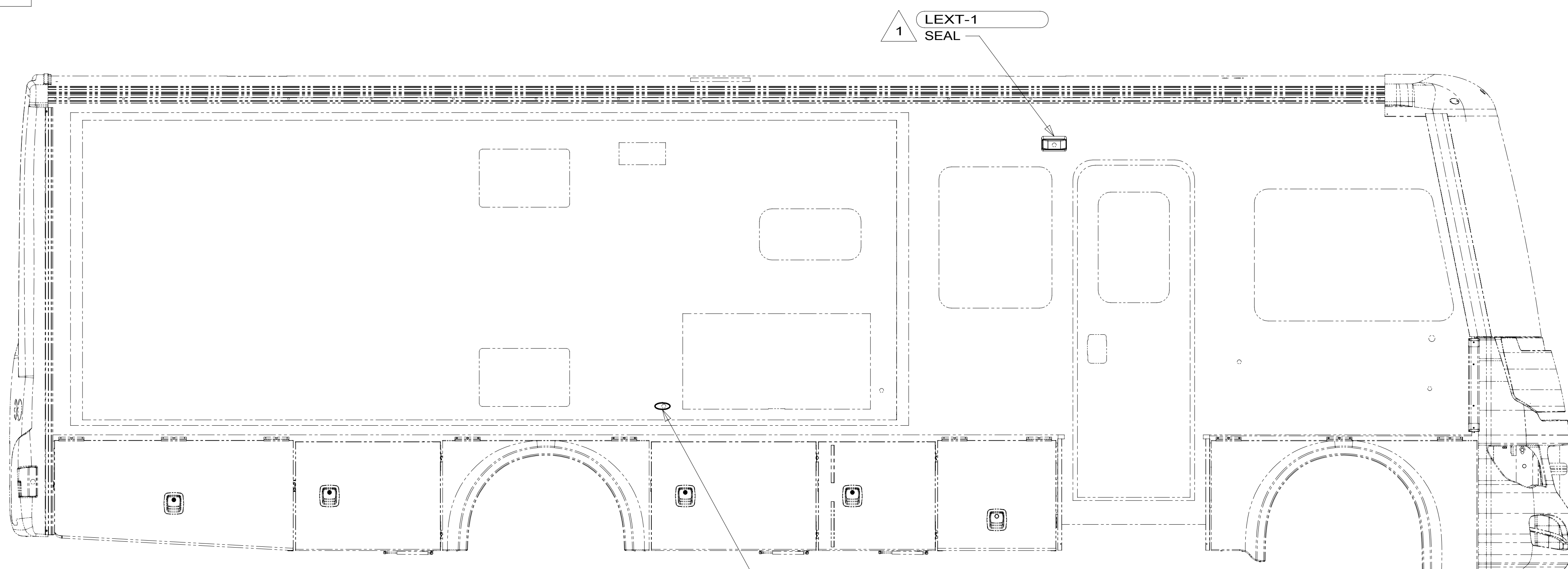


CAUTION

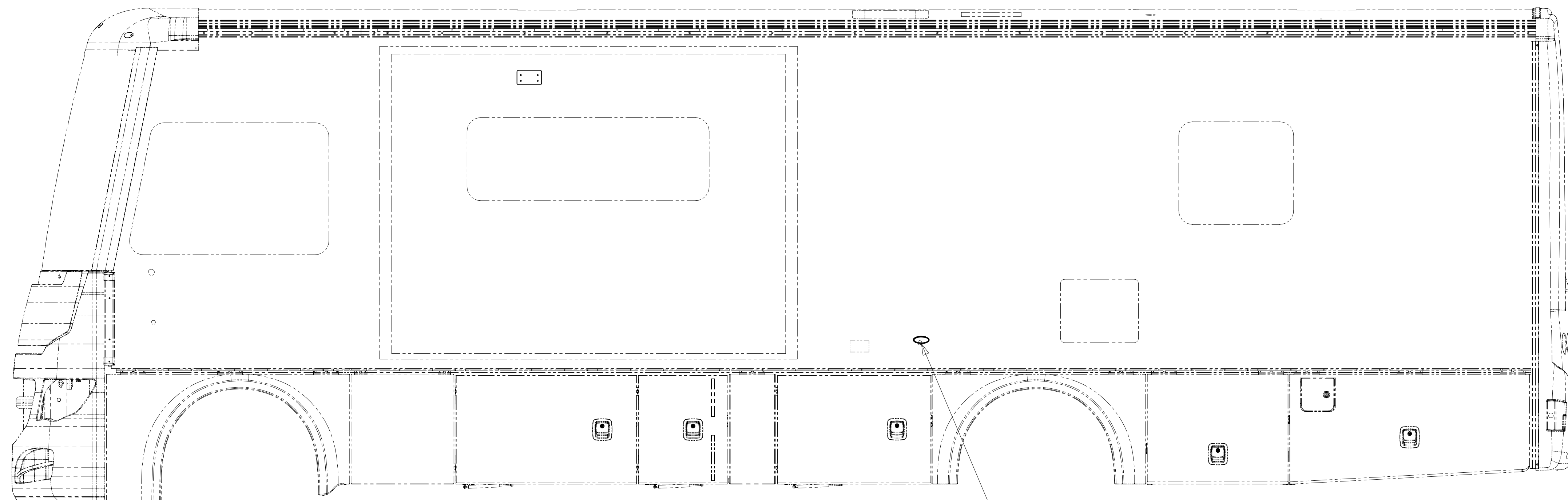
If you lack the skills, tools or equipment to perform diagnostic or repair work leave such work to an authorized Winnebago Industries dealer or other qualified shop.

DRAWING NO.	MODEL
186040-01	D30A,D33C
186040-02	D35G,D36V
186040-03	D36Z

RELEASE	REV/DATE	DWG NO	186040
REV ZONE	REVISION RECORD	DATE	DTR-ORIG



LAMP-MARKER, BASE
 147680-01-CHT
 LAMP-MARKER, LENS, AMBER
 147680-02-CHT
 SCREW
 G11-08-12U (EXT) (2)



LAMP-MARKER, BASE
 147680-01-CHT
 LAMP-MARKER, LENS, AMBER
 147680-02-CHT
 SCREW
 G11-08-12U (EXT) (2)

FOR ELECTRICAL TORQUE SPECIFICATIONS SEE DWG NO. 128783-01-000

FOR ELECTRICAL CALLOUTS SEE DWG NO. 121339-01-000

- 265 CODES/STANDARDS-CSA/CMVSS
- 1B1 CODES/STANDARDS-USA
- 1B1 265



COPYRIGHT 2014 WINNEBAGO INDUSTRIES, INC.

DTR	ORIG. DATE
CHKR	ALL DIMENSIONS ARE IN MILLIMETERS
P.E.	FIRST USED
M.E.	14 D-SERIES
DSNR	MATERIAL:
UNSPECIFIED TOLERANCES ARE:	
WHOLE DIM (X)	:
ONE-PLACE (X.X)	:
TWO-PLACE (X.XX)	:
ANGLE	:
THIRD ANGLE PROJECTION	
DO NOT SCALE DRAWING	REFER TO ES0018 FOR FASTENER TIGHTENING GUIDELINES
TITLE: WIRING INSTL-EXTERIOR LAMPS	
SHEET 1 OF 3	PART NO 186040 REV

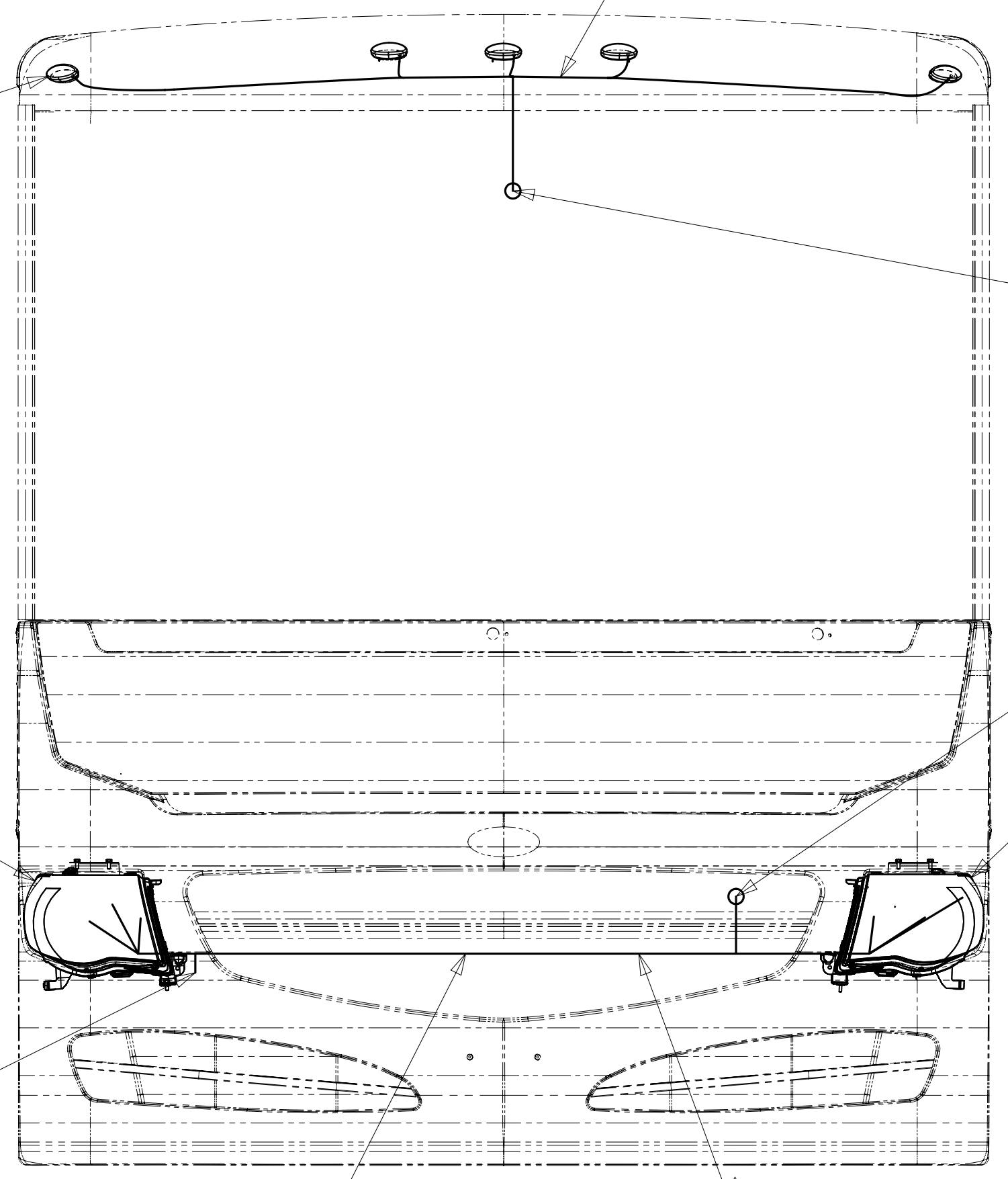
NOTES:
 1 NOT USED ON D36Z.

*186040

LAMP-MARKER,BASE
147680-01-CHT (5)
LAMP-MARKER,LENS,AMBER
147680-02-CHT (5)
SCREW
G11-08-12U (EXT) (10)
CONNECTOR
58028-01-000 (10)

WIRE ASM-CLEARANCE LAMPS
129943-01-000

LAMP-MARKER,BASE
147680-01-CHT (5)
LAMP-MARKER,LENS,RED
147680-03-CHT (5)
SCREW
G11-08-12U (EXT) (10)
CONNECTOR
58028-01-000 (10)



2 PIN HOUSING
TO WIRE ASM-
IP, MAIN

CHASSIS HOUSING
TO CHASSIS HEADLAMP
CONNECTOR

HEADLAMP ASM-RIGHT
175183-01-000

HEADLAMP ASM-LEFT
175183-02-000

2 RING TERMINAL
TO GROUND BOLT

WIRE ASM-HEADLAMP
149398-15-000

4 LAMP-BACKUP
172560-04-000

6 4 LIGHT ASM-STOP/TURN
172560-02-000

LAMP-MARKER,RED
117826-01-000 (2)
GASKET-MARKER LIGHT
117826-03-000 (2)
BULB
36196-01-000 (2)
SCREW
G11-08-12U (EXT) (4)

REFLECTOR-STICK ON-RED
106646-02-000 (2)

7 LIGHT-LICENSE
066432-02-000
SCREW
G39-08-12T (EXT) (2)
CONNECTOR
58028-01-000 (2)

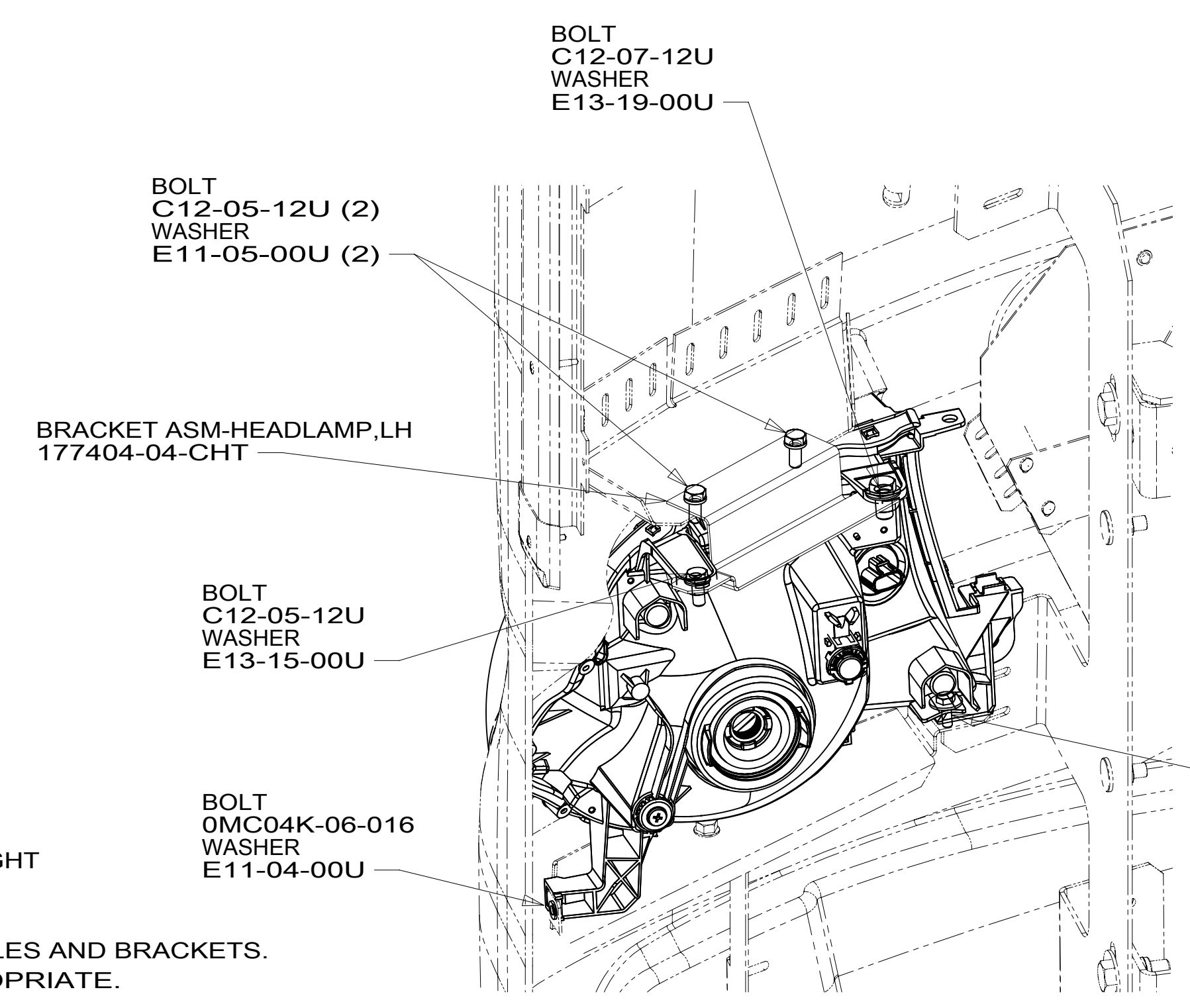
LAMP ASM-BRAKE
136916-01-000
SCREW
G11-08-20T (2)
CONNECTOR
58028-01-000 (2)
BLK/WHT TO YEL
BLK TO WHT

LIGHT ASM-STOP/TURN
172560-01-000

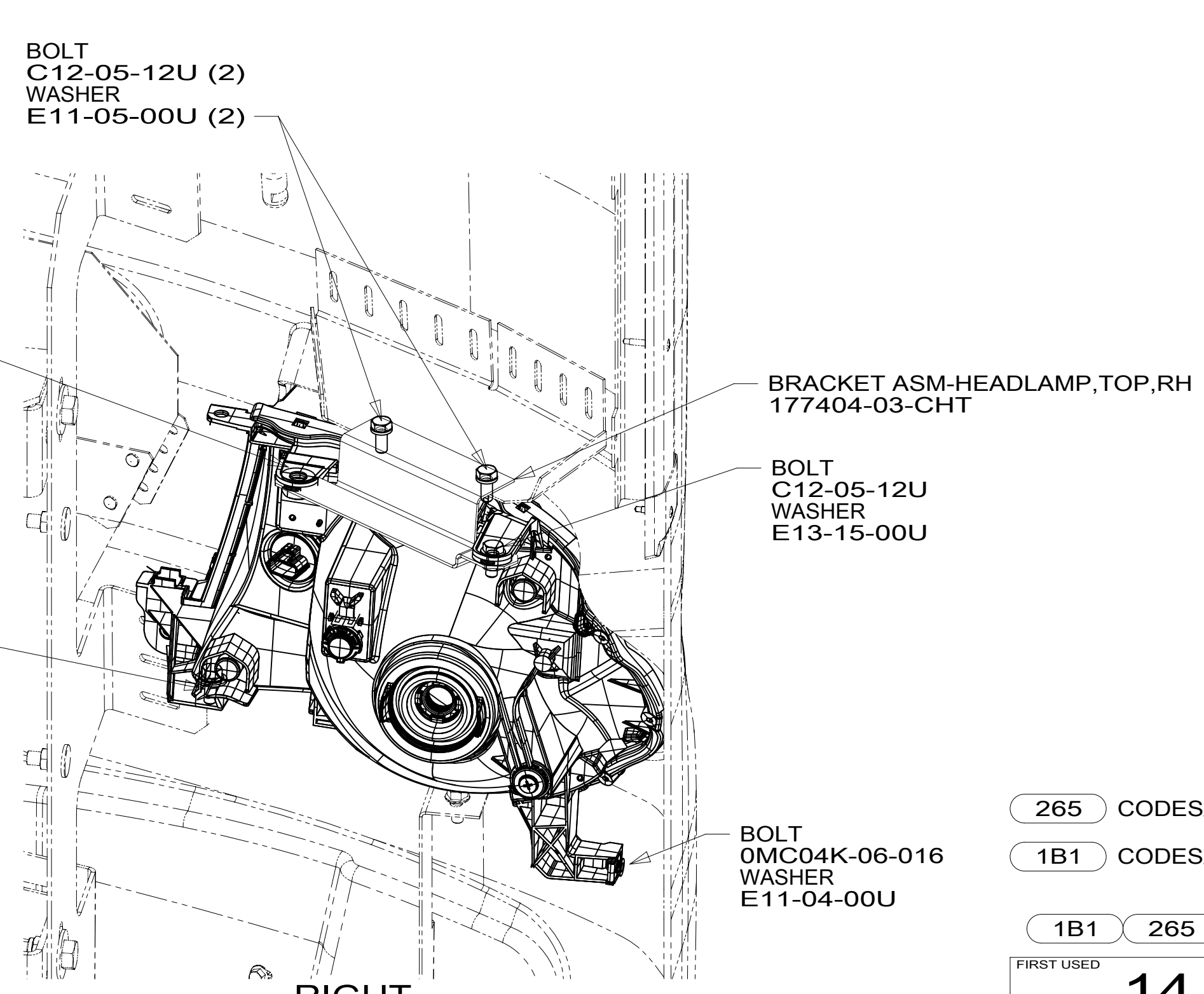
LAMP-BACKUP
172560-03-000

LAMP-LICENSE PLATE
87201-01-000
SCREW
G11-06-12U (EXT) (2)

CONNECTOR-TRAILER
157593-01-000
SCREW
101618-01-000



LEFT



RIGHT

- 8 MOUNT LIGHT SUCH THAT THE MOLDED CONNECTOR ON LIGHT IS TOWARD THE BOTTOM.
- 7 USED ON D33C, D30A, D35G ONLY.
- 6 CONNECT 4 PIN HSG WITH WRAP OF RED TAPE TO THE STOP/TURN/TAILLAMP.
- 5 USED ON D35J, D36V.
- 4 MOUNT LIGHT SUCH THAT THE MOLDED CONNECTOR ON LIGHT IS TOWARD THE TOP.
- 3 SECURE WIRE ASM APPROX. EVERY 450 TO BATTERY CABLES AND BRACKETS. USE TIE-WIRE 8343-01-000 OR 93147-01-000 AS APPROPRIATE.
- 2 CLEAN PAINT OFF METAL (BOLT) BEFORE CONNECTING GROUND TO INSURE CONTACT. ALSO MOUNT CHASSIS SUPPLIED HORN TO GROUND BOLT.

1. GATHER ALL EXCESS WIRE AFTER MAKING ALL CONNECTIONS AND BUNDLE AND SECURE WITH TIE-WIRE 8343-01-000 OR 93147-01-000.

NOTES:

BOLT
C12-07-12U
WASHER
E13-19-00U

BOLT
C12-05-12U (2)
WASHER
E11-05-00U (2)

BRACKET ASM-HEADLAMP,LH
177404-04-CHT

BOLT
C12-05-12U
WASHER
E13-15-00U

BOLT
OMC04K-06-016
WASHER
E11-04-00U

BOLT
C12-05-12U (2)
WASHER
E11-05-00U (2)

BOLT
C13-07-16B
WASHER
E13-19-00U

BOLT
C26-05-12U
WASHER
E13-16-00U
NUT
D46-05-00A

BOLT
C12-04-12U
WASHER
E13-16-00U
NUT
D46-05-00A

BRACKET ASM-HEADLAMP, TOP,RH
177404-03-CHT

BOLT
C12-05-12U
WASHER
E13-15-00U

BOLT
OMC04K-06-016
WASHER
E11-04-00U

265 CODES/STANDARDS-CSA/CMVSS

1B1 CODES/STANDARDS USA

1B1 265

FIRST USED
14 D-SERIES

DO NOT SCALE DRAWING

TITLE:
WIRING INSTL-EXTERIOR LAMPS

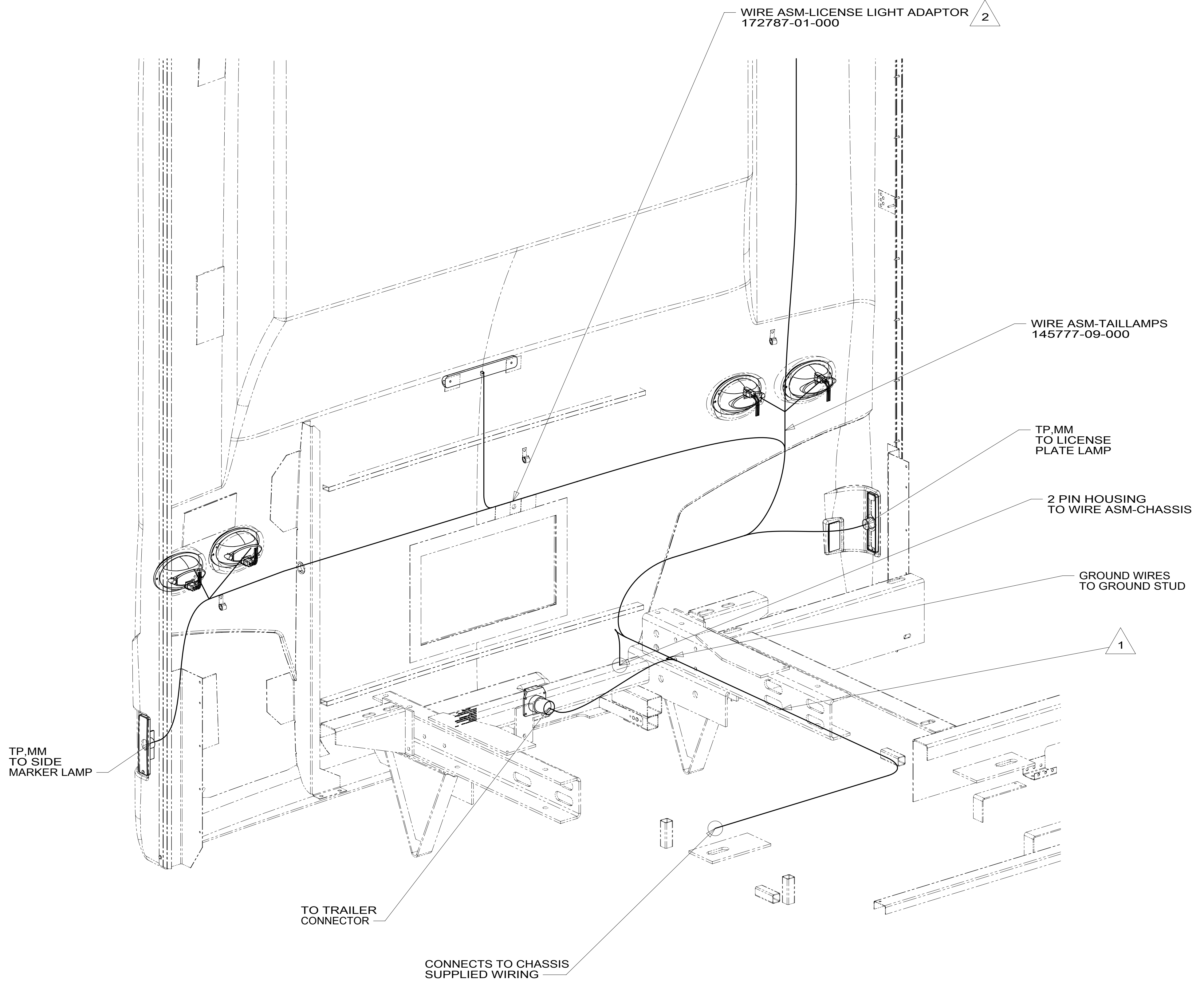
SHEET 2 PART NO. **186040** REV

1 31-Oct-2014

FOR ELECTRICAL
TORQUE
SPECIFICATIONS
SEE DWG NO.
128783-01-000

FOR ELECTRICAL
CALLOUTS
SEE DWG NO.
121339-01-000

186040 A



- 2 USED ON D33C & D30A ONLY.
- 1 WIRE TIE 8343-02. FASTEN TO FRAME AT LEAST ONCE EVERY 600MM.

NOTES:

FOR ELECTRICAL TORQUE SPECIFICATIONS SEE DWG NO. 128783-01-000

FOR ELECTRICAL CALLOUTS SEE DWG NO. 121339-01-000

- 265 CODES/STANDARDS-CSA/CMVSS
- 1B1 CODES/STANDARDS USA

- 1B1 265

FIRST USED	
14 D-SERIES	
DO NOT SCALE DRAWING	
TITLE: WIRING INSTL-EXTERIOR LAMPS	
SHEET 3	PART NO 186040 REV

186040 A