



DANGER

Danger of electrical shock, burns or death. Always remove all power sources before attempting any repair, service or diagnostic work. Power can be present from shore power, generator, inverter or battery. All power sources must be disabled and secured before performing any service.

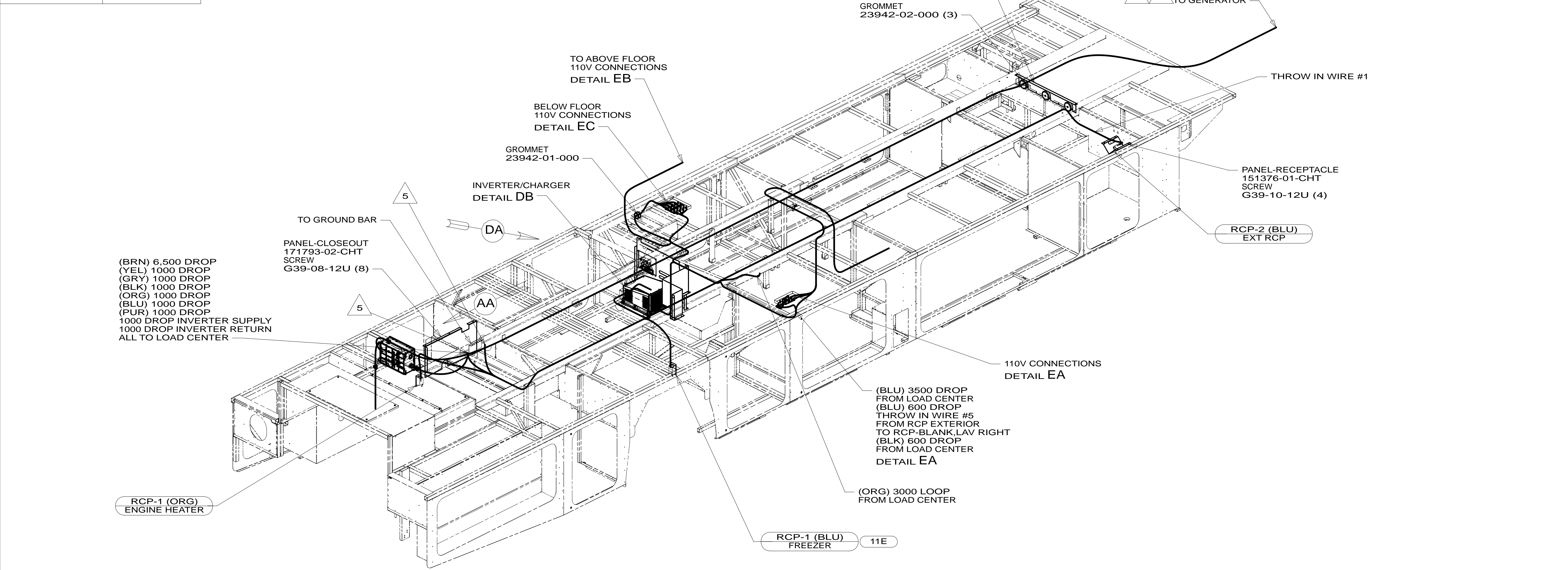


CAUTION

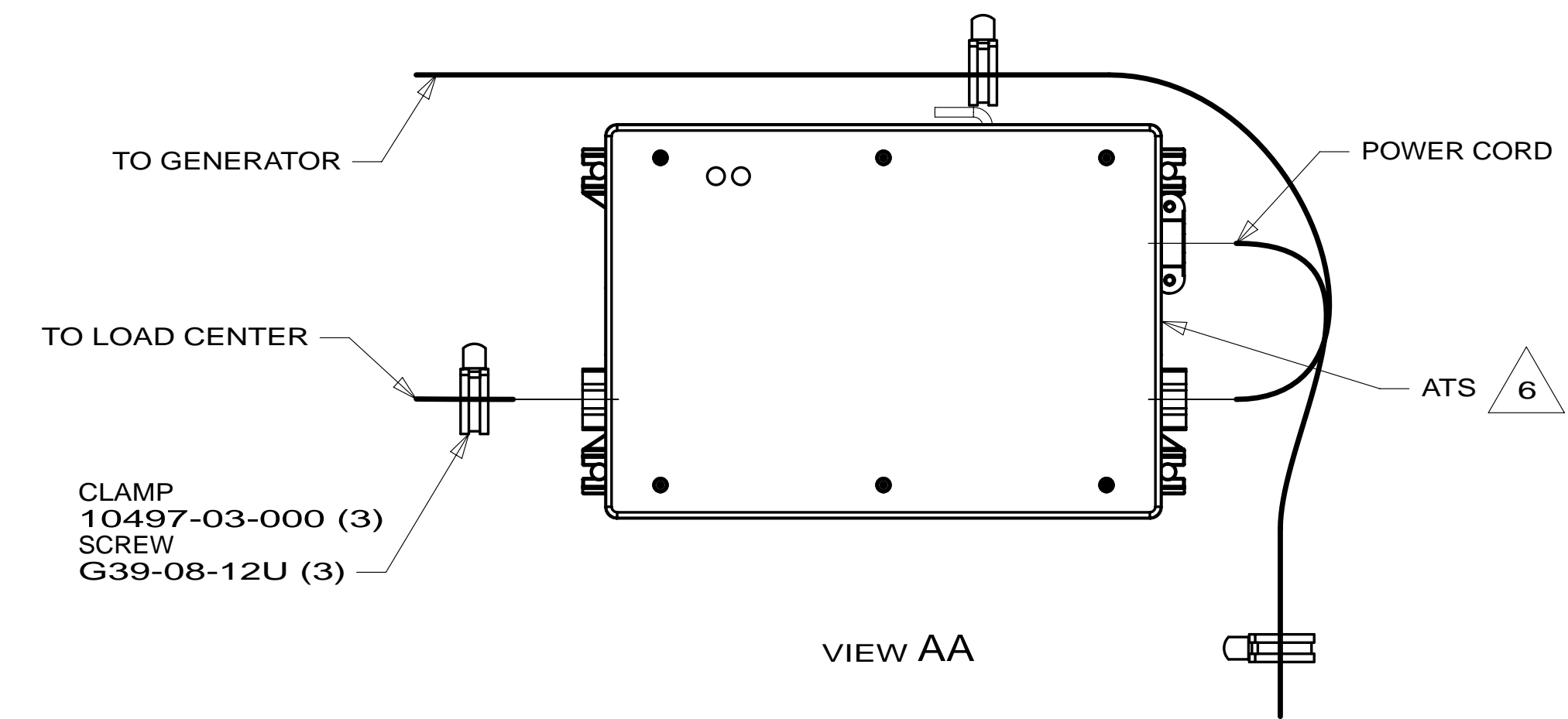
If you lack the skills, tools or equipment to perform diagnostic or repair work leave such work to an authorized Winnebago Industries dealer or other qualified shop.

DRAWING NO	FEATURE
185934-01	-----
185934-12	(1B1)
185934-16	(265)

RELEASE	REV/DATE	DWG NO	185934
REV ZONE	REVISION RECORD	DATE	DTR-ORIG



- 6 SEE LOAD CENTER/ATS ASM FOR ADDITIONAL INFORMATION.
- 5 TO ABOVE FLOOR.
- 4 SEE GENERATOR INSTALLATION FOR ADDITIONAL INFORMATION.
- WIRES THAT REST ON WIRE TRAYS ARE TO BE TIED DOWN WITH WIRE TIE 8343-04-000.
 - CLAMP TO FLOOR SUPPORT TUBES AS NECESSARY WITH CLAMP 10497-01-000.
 - ALL WIRES TO BE SECURED WITH CLAMP 10495 OR 10497 OR WIRE TIE 8343 OR 108046 EVERY 600MM, USE SCREW G67-XX-XXX OR G56-XX-XXX AS APPROPRIATE FOR INSTALLATION.



- 11E REFRIGERATOR/FREEZER PORTABL
- 265 CODES/STANDARDS-CSA/CMVSS
- 1B1 CODES/STANDARDS USA

1B1 265

WINNEBAGO COPYRIGHT 2014 WINNEBAGO INDUSTRIES, INC.

DTR	ORIG. DATE
CHKR	ALL DIMENSIONS ARE IN MILLIMETERS
P.E.	FIRST USED
M.E.	14 P40U
DSNR	

UNSPECIFIED TOLERANCES ARE:

WHOLE DIM (X)	: 3
ONE-PLACE (X.X)	: 1.5
TWO-PLACE (X.XX)	: 0.50
ANGLE	: 1'

THIRD ANGLE PROJECTION

DO NOT SCALE DRAWING REFER TO ES0018 FOR FASTENER TIGHTENING GUIDELINES

TITLE: **WIRING INSTL-BODY,110V**

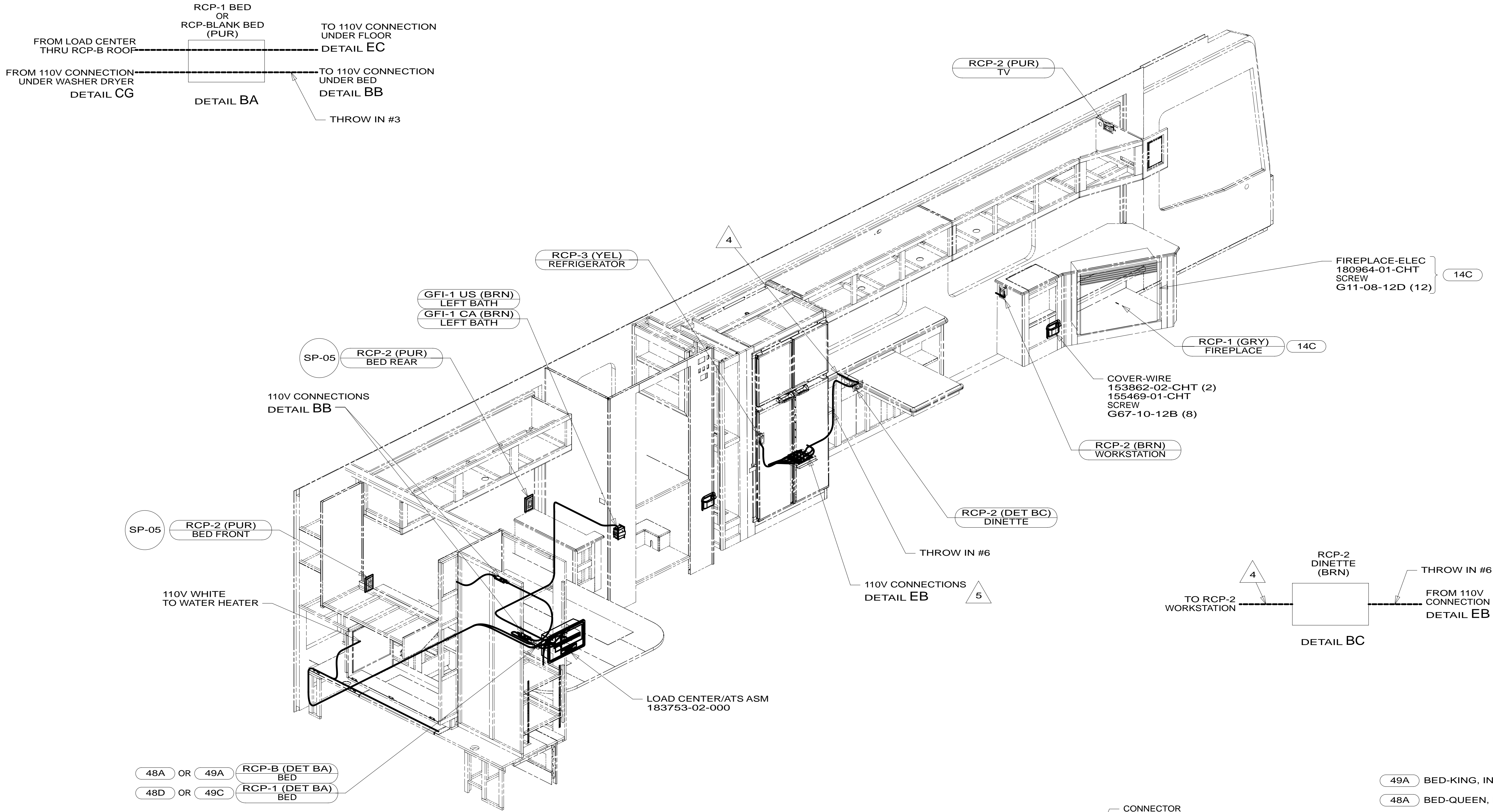
SHEET **1** OF **6** PART NO **185934** REV

REF: **1** 12-Feb-2014

FOR ELECTRICAL TORQUE SPECIFICATIONS SEE DWG NO. 128783-01-000

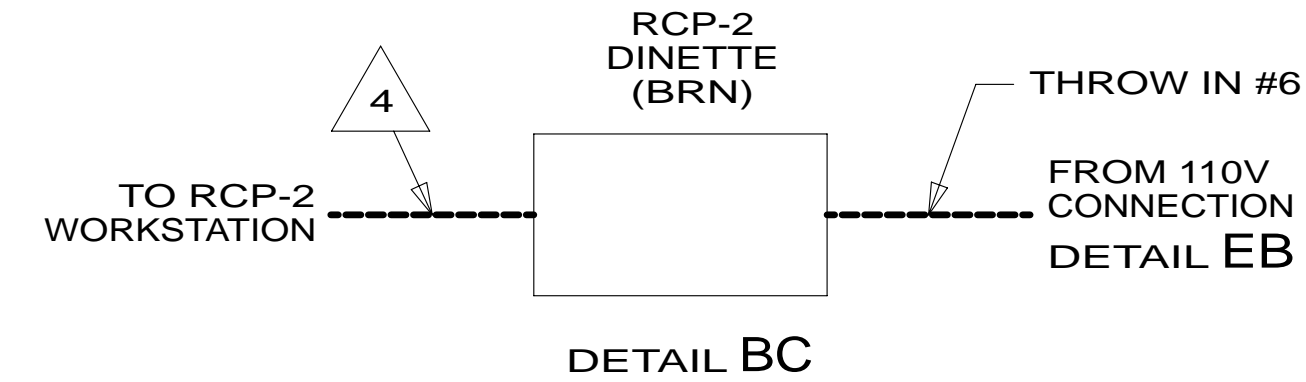
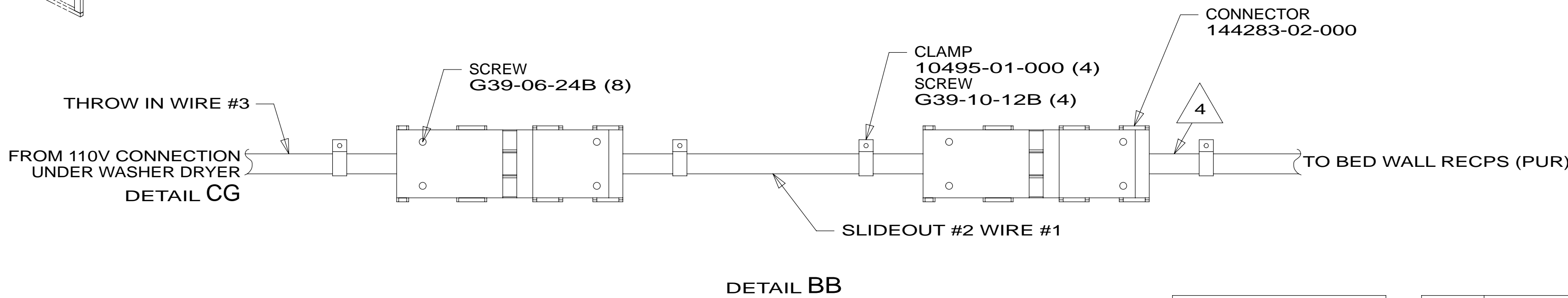
(X-X) FOR ELECTRICAL CALLOUTS SEE DWG NO. 121339-01-000

* 185934 *



- 5 MOUNT TO SIDEWALL.
- 4 WIRE ROUTED IN SIDEWALL.
- 3 SEE WIRING INSTL-TV/DVD FOR ADDITIONAL INFORMATION.

2. ALL 110V WIRES TO BE CLAMPED WITH CLAMP 10497-05-000 WITHIN 200MM OF OUTLET BOXES, USE SCREW G67-10-12B.
1. ALL WIRES TO BE SECURED WITH CLAMP 10495 OR 10497 OR WIRE TIE 8343 OR 108046 EVERY 600MM, USE SCREW G67-XX-XXX OR G56-XX-XXX AS APPROPRIATE FOR INSTALLATION.

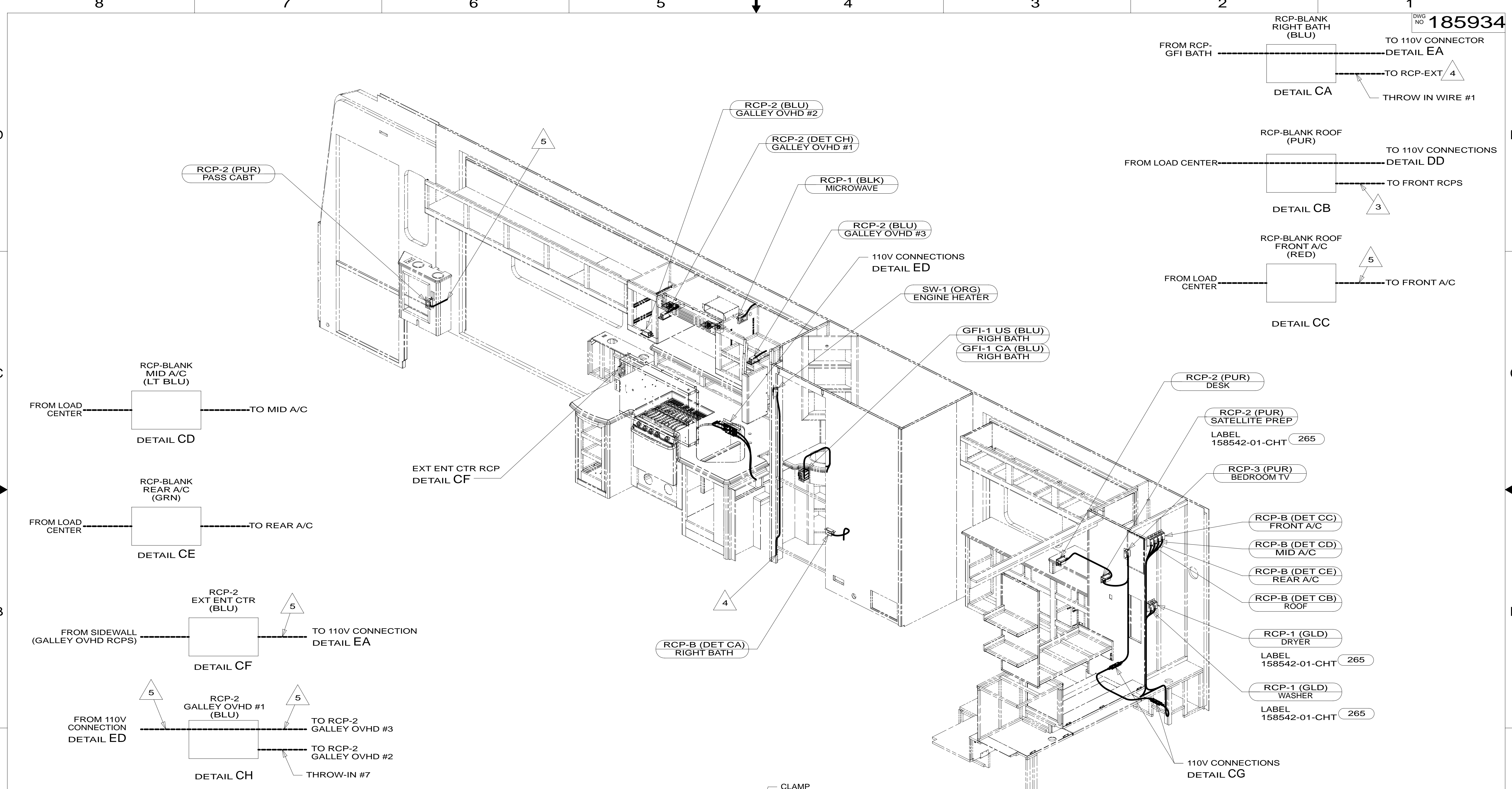


- 49A BED-KING, INNERSPRING
- 48A BED-QUEEN, INNERSPRING
- 49C BED-KING, AIR SLEEP SYSTEM
- 48D BED-QUEEN, AIR SLEEP SYSTEM
- 14C FIREPLACE-ELECTRIC
- 265 CODES/STANDARDS-CSA/CMVSS
- 1B1 CODES/STANDARDS USA

FIRST USED	
14 P40U	
DO NOT SCALE DRAWING	
TITLE: WIRING INSTL-BODY, 110V	
SHEET 2	PART NO 185934 REV

FOR ELECTRICAL TORQUE SPECIFICATIONS SEE DWG NO. 128783-01-000

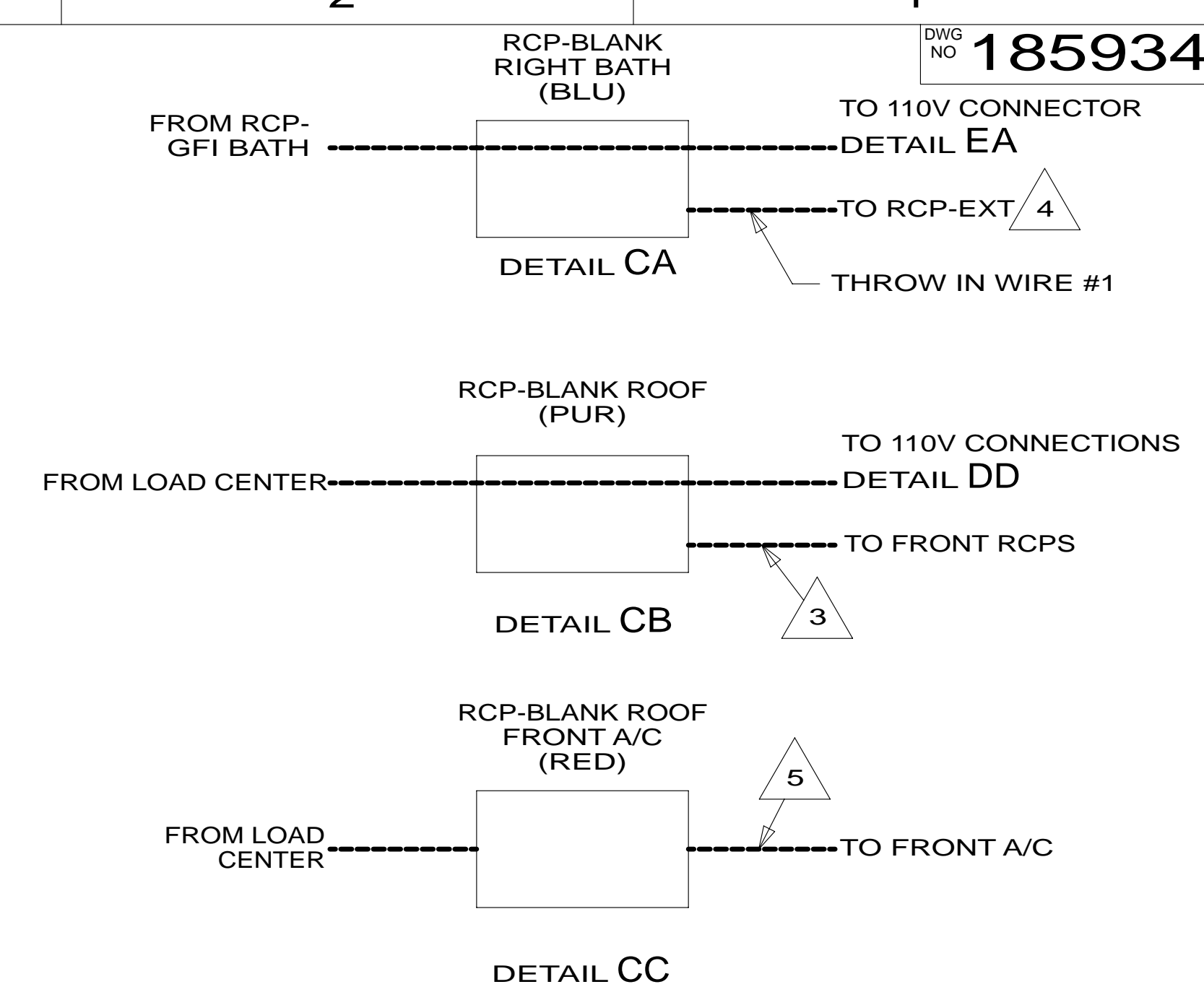
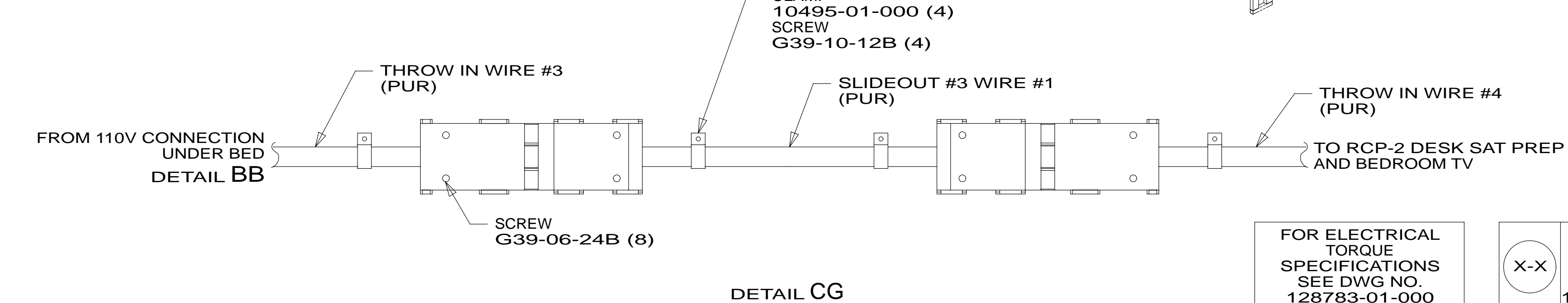
X-X FOR ELECTRICAL CALLOUTS SEE DWG NO. 121339-01-000



- 5 WIRE ROUTED IN SIDEWALL.
- 4 TO BELOW FLOOR.
- 3 WIRE FROM ROOF ASM.

2. ALL 110V WIRES TO BE CLAMPED WITH CLAMP 10497-05-000 WITHIN 200MM OF OUTLET BOXES, USE SCREW G67-10-12B.
1. ALL WIRES TO BE SECURED WITH CLAMP 10495 OR 10497 OR WIRE TIE 8343 OR 108046 EVERY 600MM, USE SCREW G67-XX-XXX OR G56-XX-XXX AS APPROPRIATE FOR INSTALLATION.

NOTES:



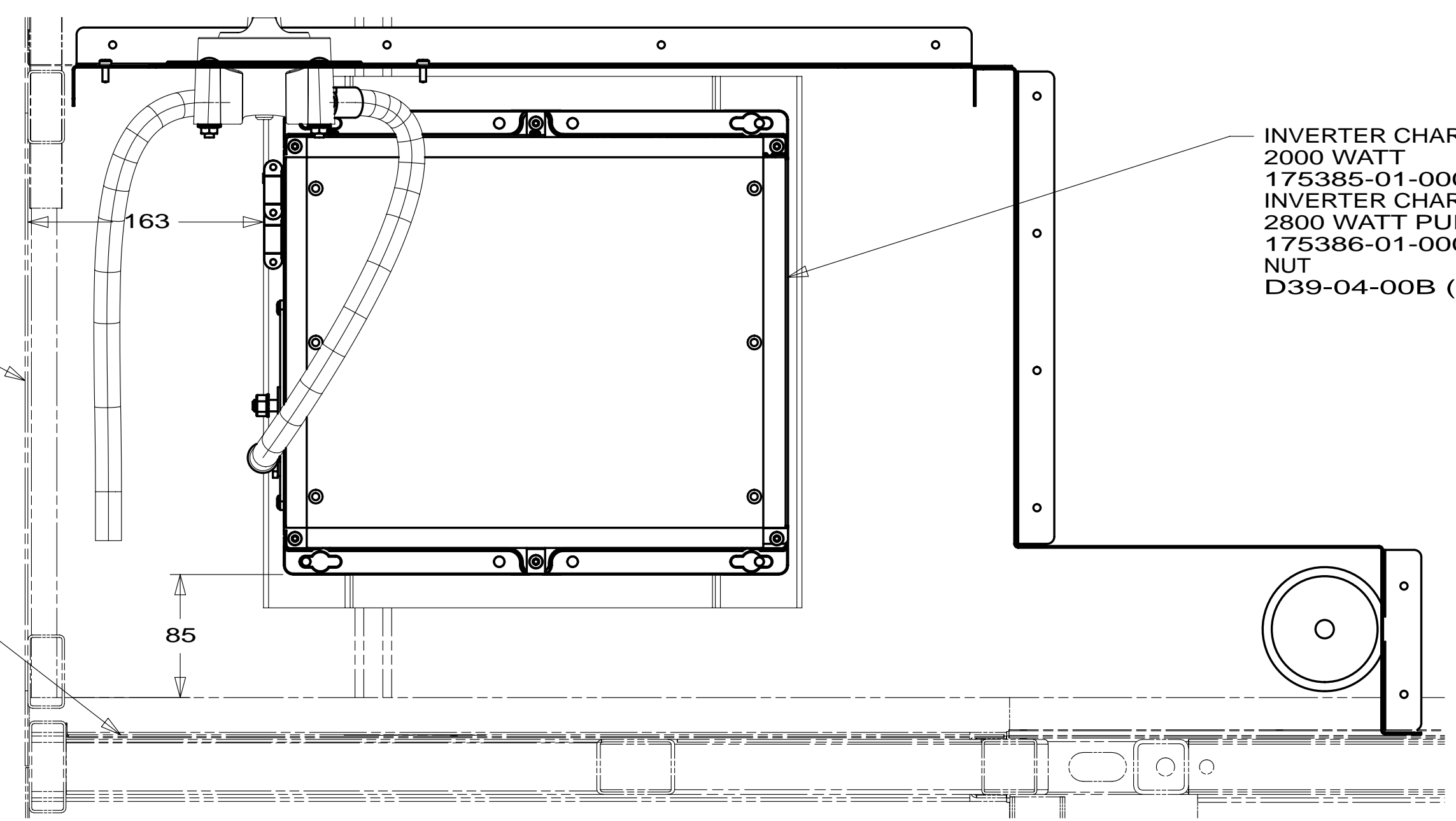
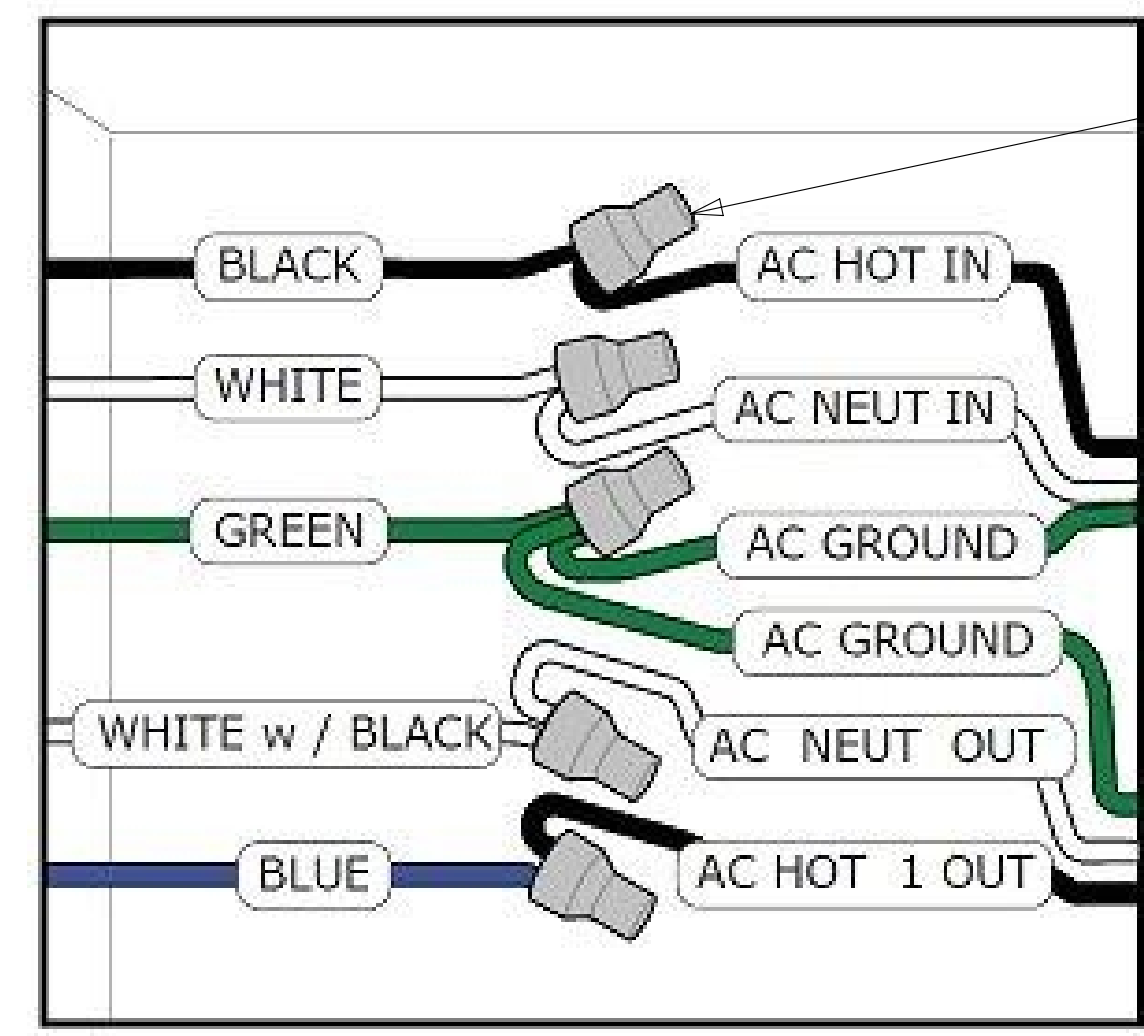
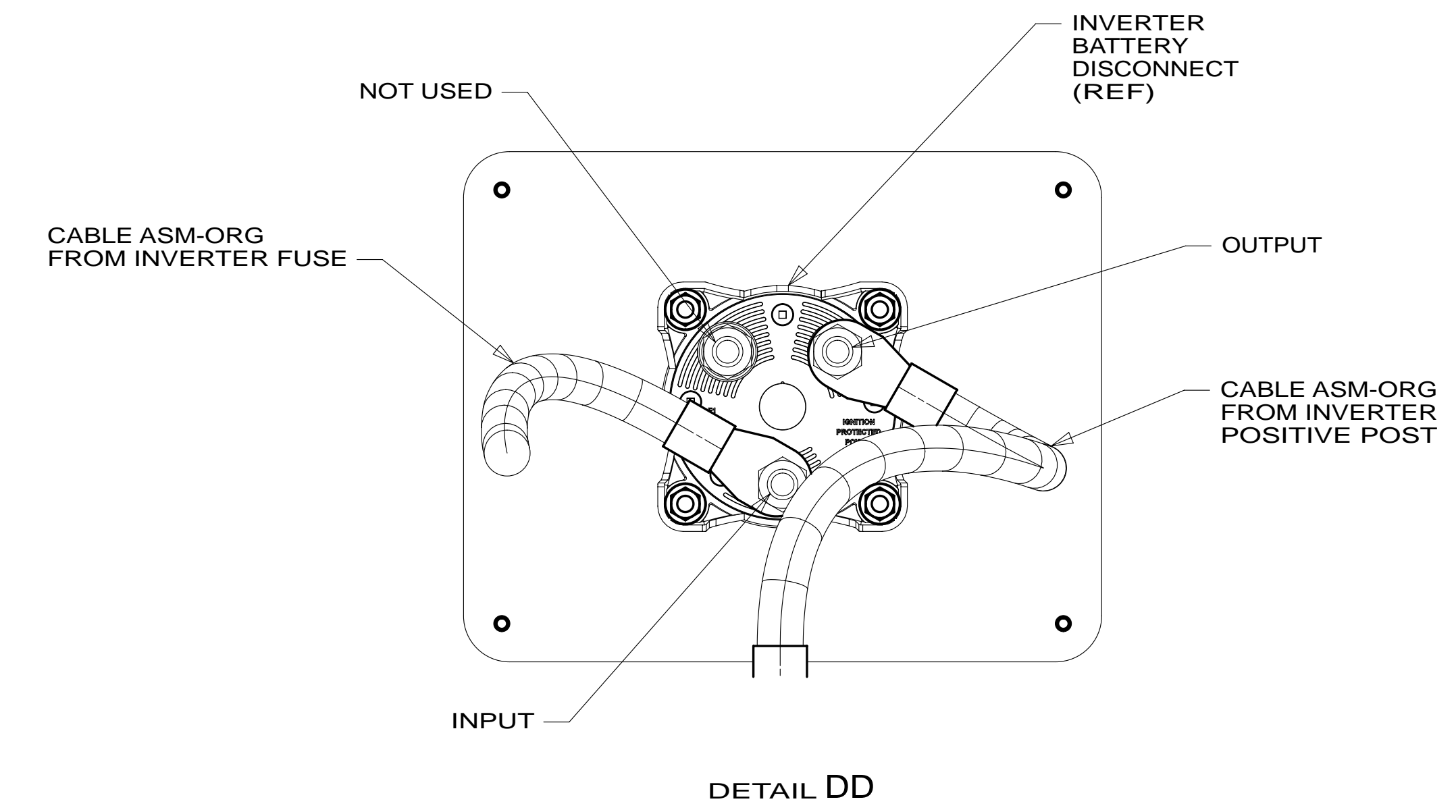
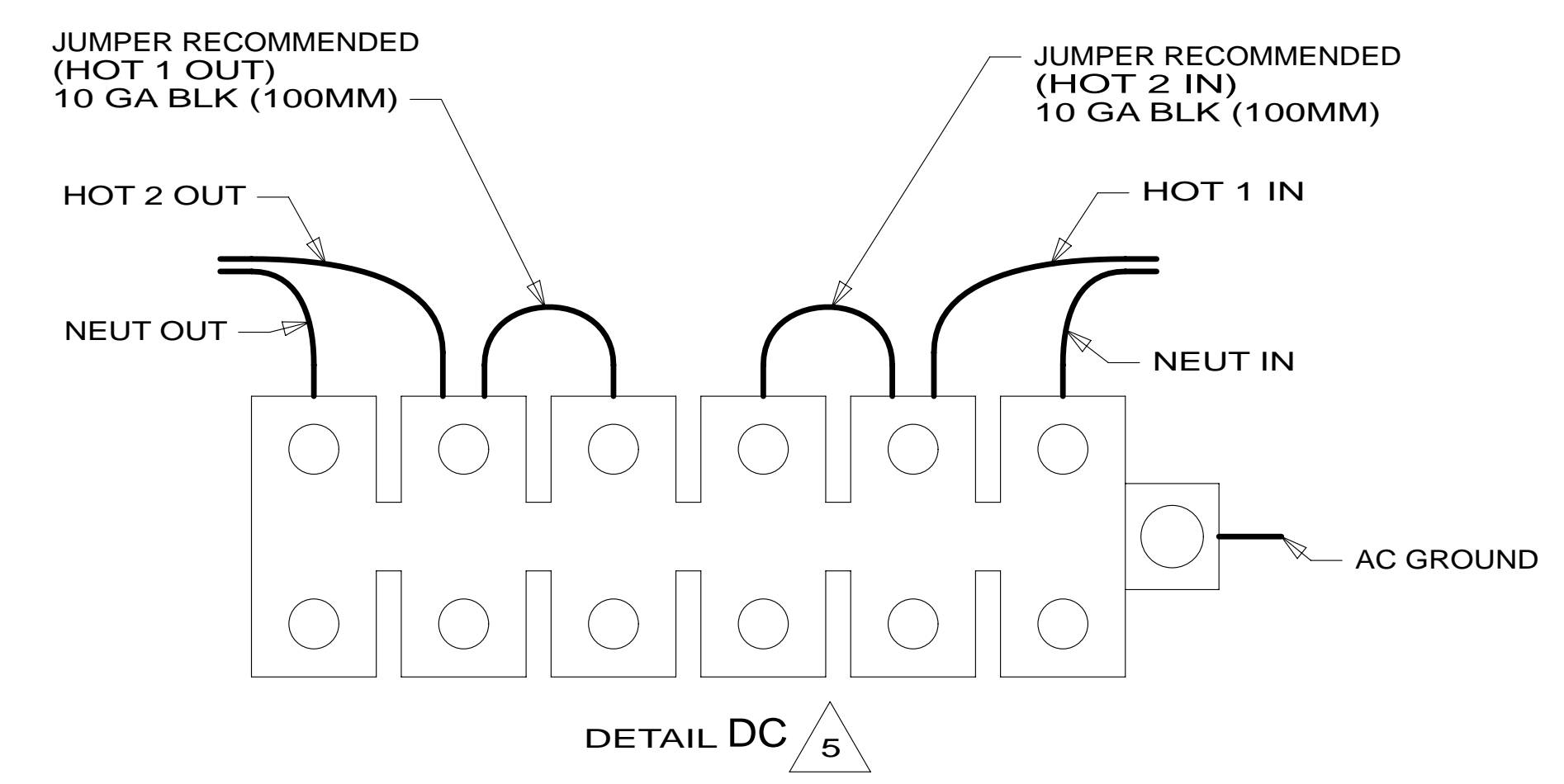
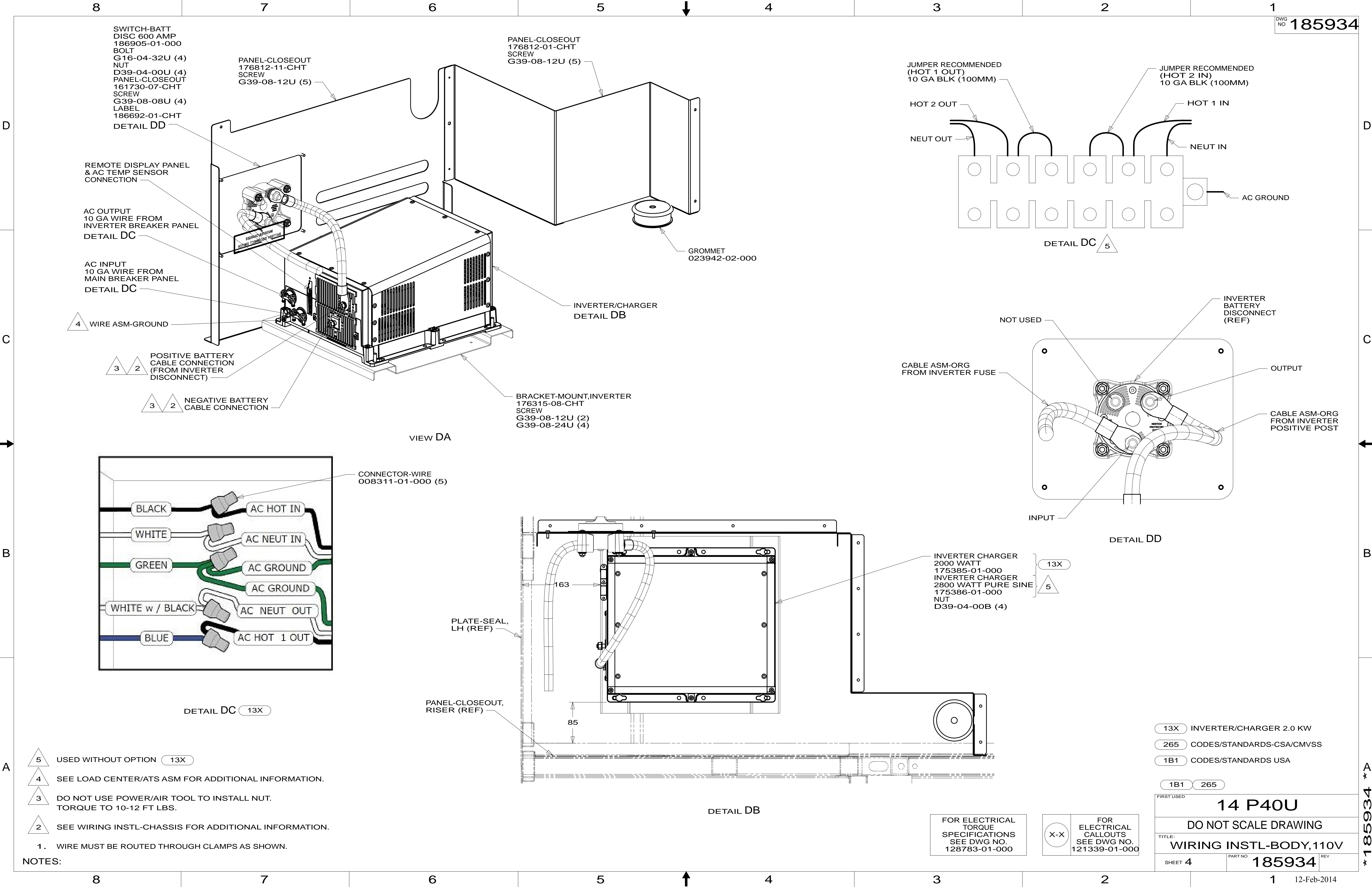
265 CODES/STANDARDS-CSA/CMVSS
 1B1 CODES/STANDARDS USA
 1B1 265

FIRST USED
14 P40U
 DO NOT SCALE DRAWING
 TITLE: **WIRING INSTL-BODY, 110V**
 SHEET 3 PART NO **185934** REV
 12-Feb-2014

FOR ELECTRICAL TORQUE SPECIFICATIONS SEE DWG NO. 128783-01-000

FOR ELECTRICAL CALLOUTS SEE DWG NO. 121339-01-000

* 185934 *



- 5 USED WITHOUT OPTION 13X
- 4 SEE LOAD CENTER/ATS ASM FOR ADDITIONAL INFORMATION.
- 3 DO NOT USE POWER/AIR TOOL TO INSTALL NUT. TORQUE TO 10-12 FT LBS.
- 2 SEE WIRING INSTL-CHASSIS FOR ADDITIONAL INFORMATION.

NOTES:
1. WIRE MUST BE ROUTED THROUGH CLAMPS AS SHOWN.

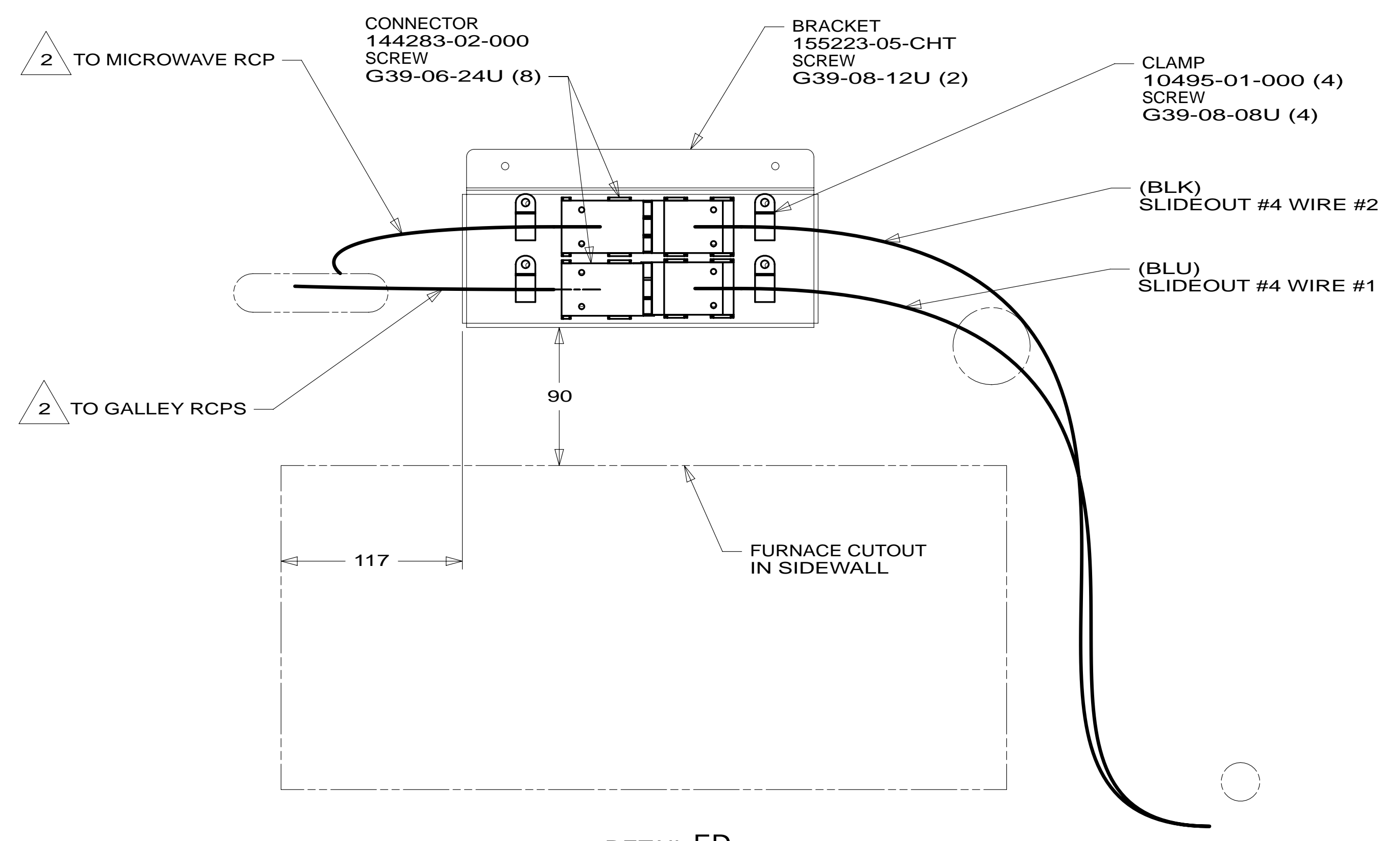
FOR ELECTRICAL TORQUE SPECIFICATIONS SEE DWG NO. 128783-01-000

FOR ELECTRICAL CALLOUTS SEE DWG NO. 121339-01-000

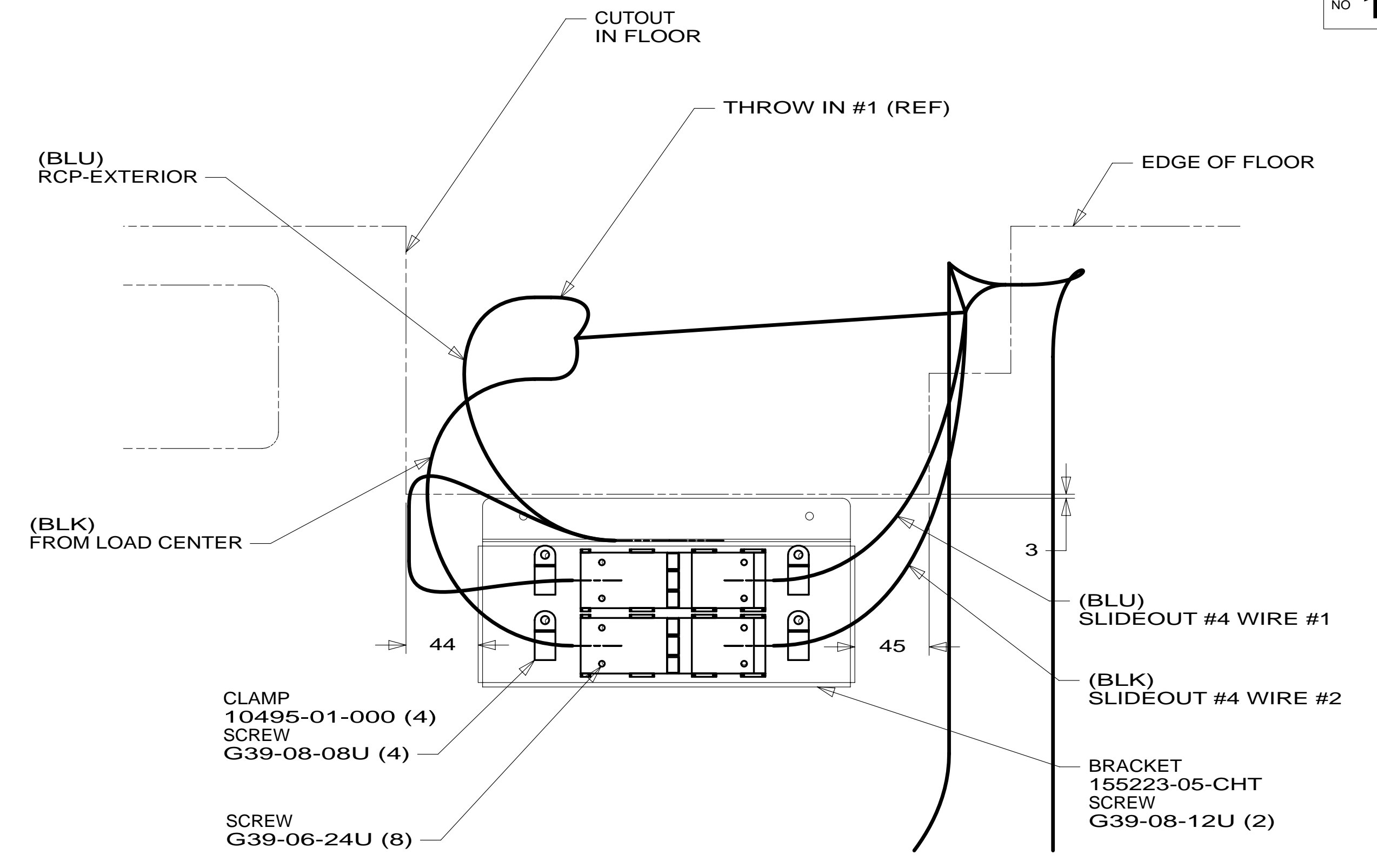
- 13X INVERTER/CHARGER 2.0 KW
- 265 CODES/STANDARDS-CSA/CMVSS
- 1B1 CODES/STANDARDS USA

FIRST USED	
14 P40U	
DO NOT SCALE DRAWING	
TITLE: WIRING INSTL-BODY, 110V	
SHEET 4	PART NO 185934 REV

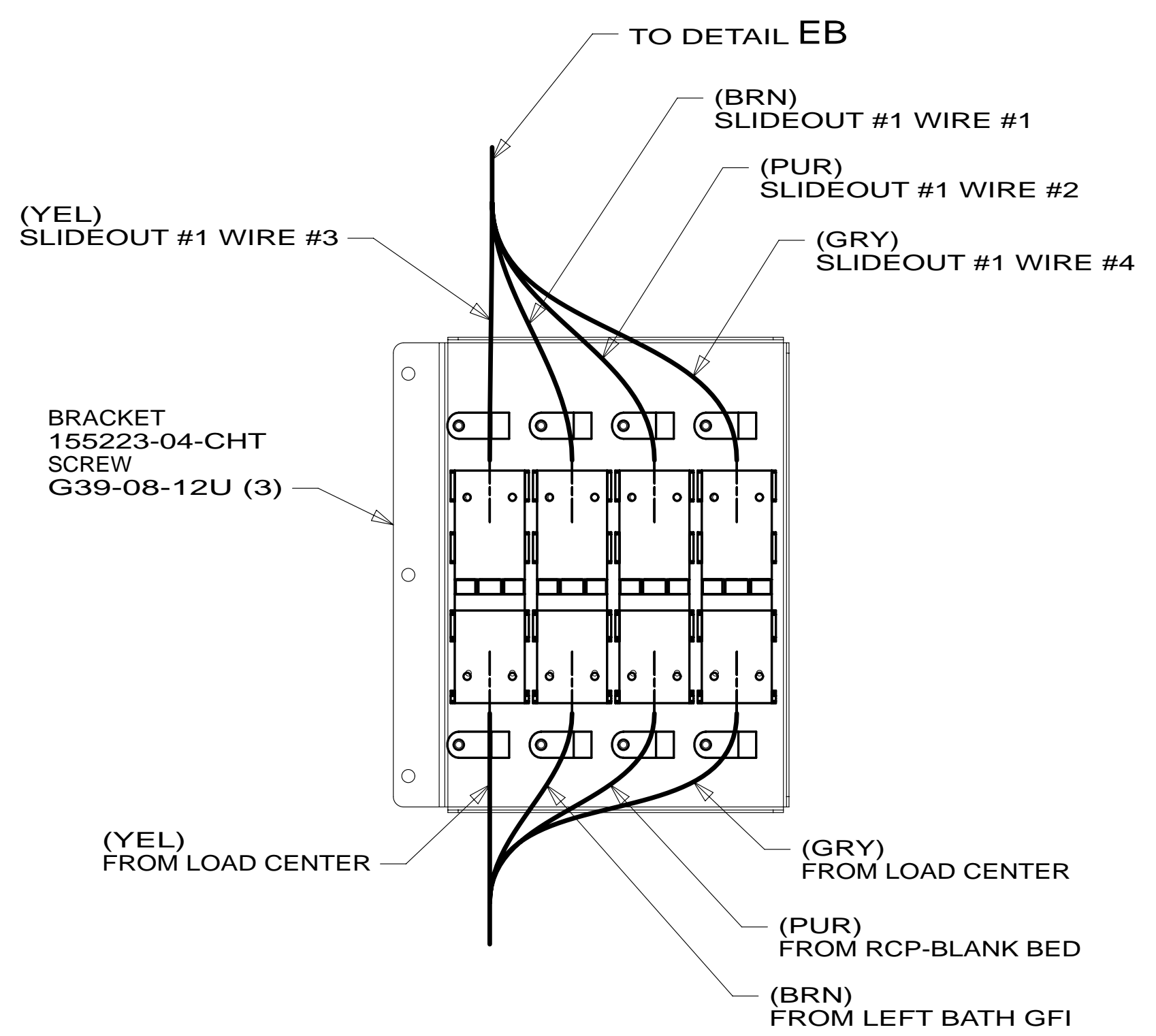
* 185934 * A



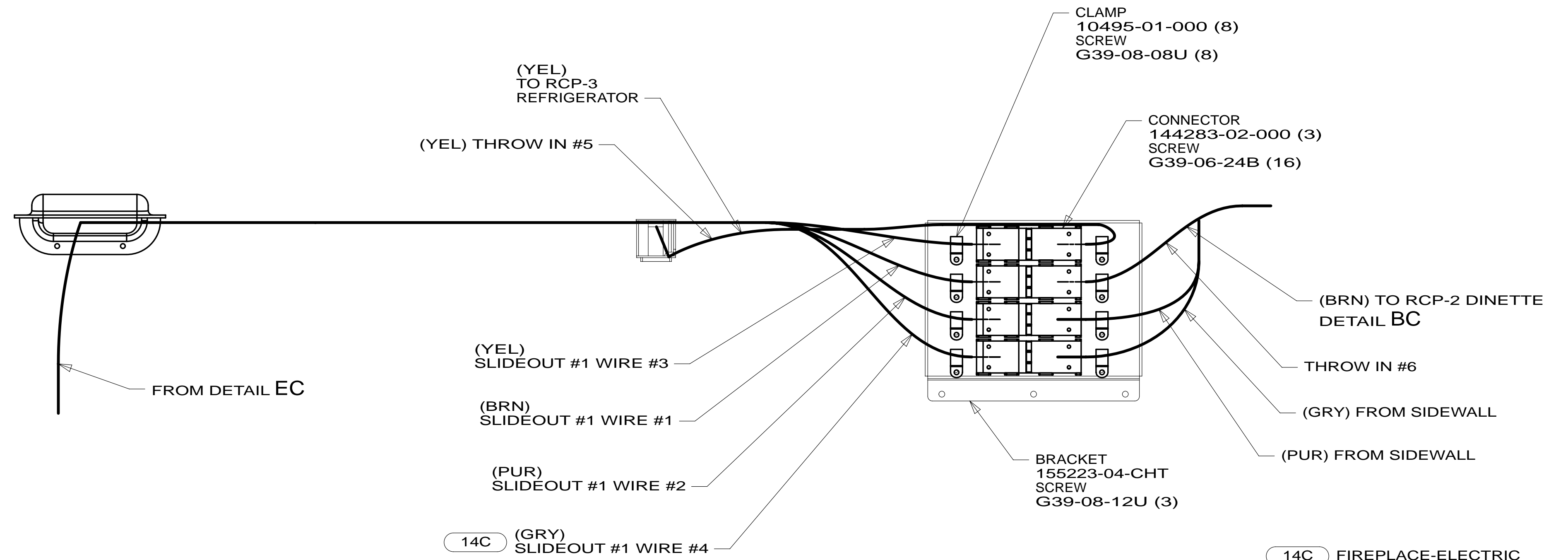
DETAIL ED



DETAIL EA



DETAIL EC 3



DETAIL EB 1

- NOTES:
- 3 110V CONNECTORS ARE LOCATED UNDER FLOOR.
 - 2 WIRE ROUTED IN SIDEWALL.
 - 1 110V CONNECTORS ARE MOUNTED TO RIGHT SIDEWALL.

FOR ELECTRICAL
TORQUE
SPECIFICATIONS
SEE DWG NO.
128783-01-000

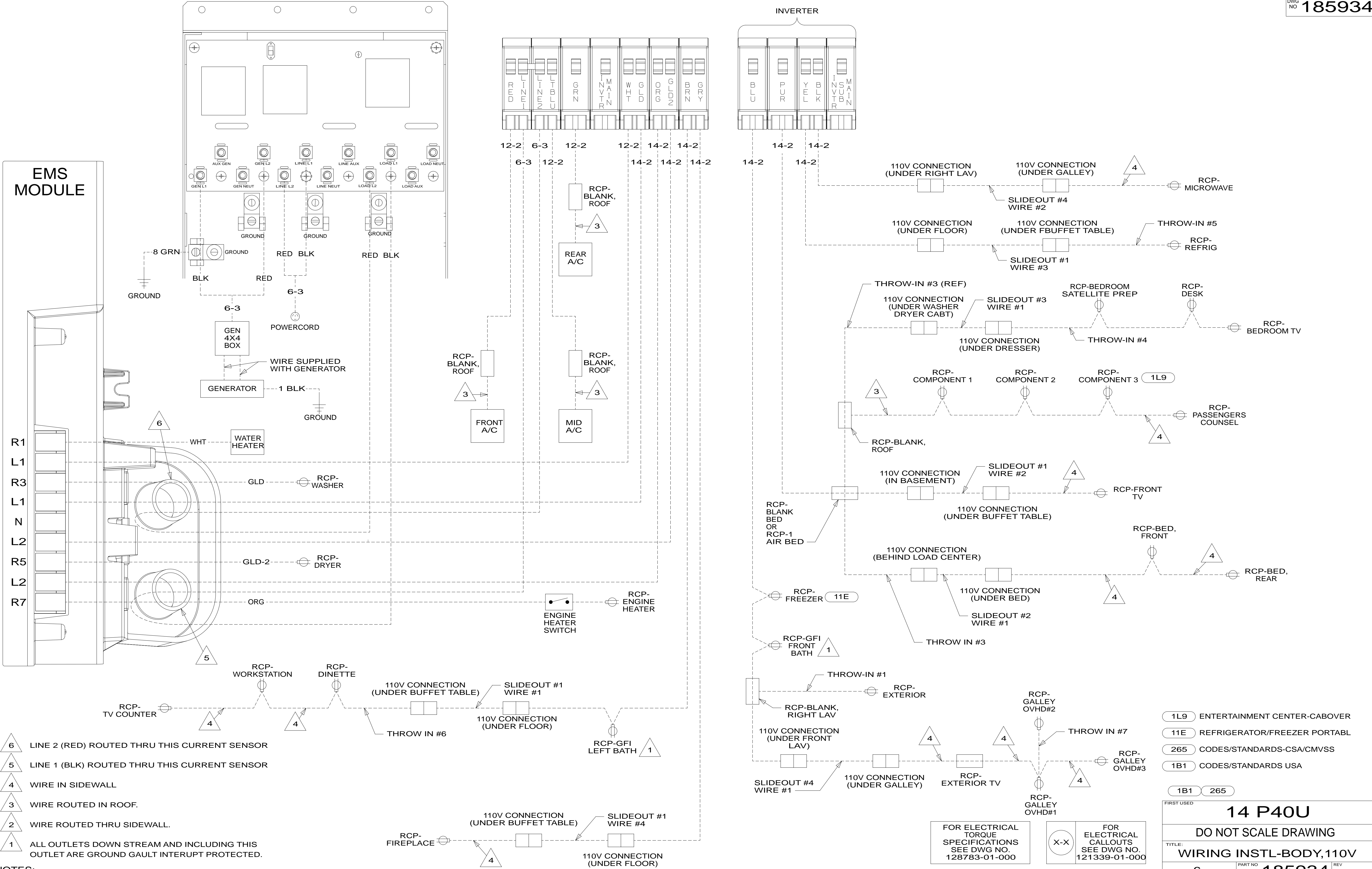
FOR
ELECTRICAL
CALLOUTS
SEE DWG NO.
121339-01-000

- 14C FIREPLACE-ELECTRIC
- 265 CODES/STANDARDS-CSA/CMVSS
- 1B1 CODES/STANDARDS USA

14C	265
FIRST USED	
14 P40U	
DO NOT SCALE DRAWING	
TITLE: WIRING INSTL-BODY, 110V	
SHEET 5	PART NO 185934 REV
12-Feb-2014	

* 185934 * A

EMS MODULE



- NOTES:
- 6 LINE 2 (RED) ROUTED THRU THIS CURRENT SENSOR
 - 5 LINE 1 (BLK) ROUTED THRU THIS CURRENT SENSOR
 - 4 WIRE IN SIDEWALL
 - 3 WIRE ROUTED IN ROOF.
 - 2 WIRE ROUTED THRU SIDEWALL.
 - 1 ALL OUTLETS DOWN STREAM AND INCLUDING THIS OUTLET ARE GROUND GAULT INTERRUPT PROTECTED.

- 1L9 ENTERTAINMENT CENTER-CABOVER
- 11E REFRIGERATOR/FREEZER PORTABL
- 265 CODES/STANDARDS-CSA/CMVSS
- 1B1 CODES/STANDARDS USA

FOR ELECTRICAL TORQUE SPECIFICATIONS SEE DWG NO. 128783-01-000

X-X

FOR ELECTRICAL CALLOUTS SEE DWG NO. 121339-01-000

FIRST USED

14 P40U

DO NOT SCALE DRAWING

TITLE: **WIRING INSTL-BODY, 110V**

SHEET 6 PART NO **185934** REV

12-Feb-2014

* 185934 *