



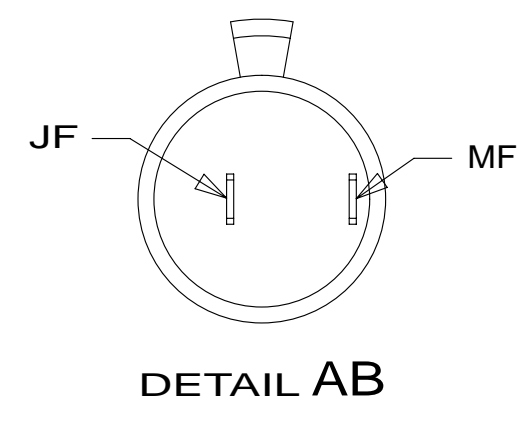
**DANGER**

**Danger of electrical shock, burns or death.** Always remove all power sources before attempting any repair, service or diagnostic work. Power can be present from shore power, generator, inverter or battery. All power sources must be disabled and secured before performing any service.



**CAUTION**

If you lack the skills, tools or equipment to perform diagnostic or repair work leave such work to an authorized Winnebago Industries dealer or other qualified shop.



PANEL-MONITOR  
 134940-06-CHT  
 SCREW  
 G11-08-08U (4)

11U RADIO  
 169536-04-CHT  
 SCREW  
 76790-03-000 (4)  
 DETAIL AC

SWITCH  
 DETAIL CE

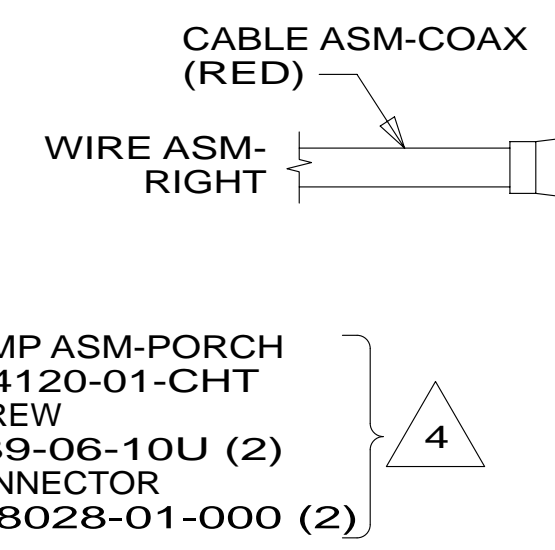
SWITCH  
 DETAIL CC 53B

WIRE ASM-RIGHT  
 TO WIRE ASM-CEILING  
 CONNECTION  
 DETAIL AA

SWITCH  
 DETAIL CD

SPEAKER  
 160868-01-CHT  
 GRILL  
 160868-02-CHT  
 SCREW  
 G11-08-08U (4)

TO CHASSIS  
 INTERIOR LIGHTING  
 WIRE DETAIL DA



DETAIL AD

LAMP ASM-PORCH  
 184120-01-CHT  
 SCREW  
 G39-06-10U (2)  
 CONNECTOR  
 058028-01-000 (2)

WIRE ASM-RIGHT  
 TO WIRE ASM-OVHD

SPEAKER  
 171547-01-CHT (2)  
 SCREW  
 G39-10-12U (8)

READ-5

WIRE ASM-RIGHT  
 185963-01-000

2 PIN HSG  
 TO WATER TANK  
 SENSORS

OUTLET-COAX/12V EXTERIOR  
 168516-01-CHT  
 SCREW  
 G39-08-16T (2)  
 DETAIL AB

WIRE ASM-EXTENSION  
 TO WATER TANK 029 5

WIRE ASM-CHASSIS  
 TO WIRE ASM-RIGHT  
 CONNECTION  
 DETAIL AD

SUBWOOFER  
 124884-01-000  
 GRILL  
 151844-01-CHT  
 SCREW  
 G11-08-12T (4)

NEGATIVE BAR  
 140031-01-CHT  
 STUD-ISOLATED  
 86233-01-000 (2)  
 NUT  
 D39-06-00B (4)  
 BOLT  
 C26-05-12B (2)

029 5 WIRE ASM-WATERTANK  
 151317-06-000  
 WIRE ASM-EXTENSION  
 137479-01-045

3 WIRE ASM-AUX TANK  
 151316-05-000

GROMMET  
 016188-10-000

RELAY-AWNING  
 063912-02-000  
 SCREW  
 G11-08-12U

3 WIRE ASM-MAIN TANK  
 151317-02-000

WIRE ASM-CEILING

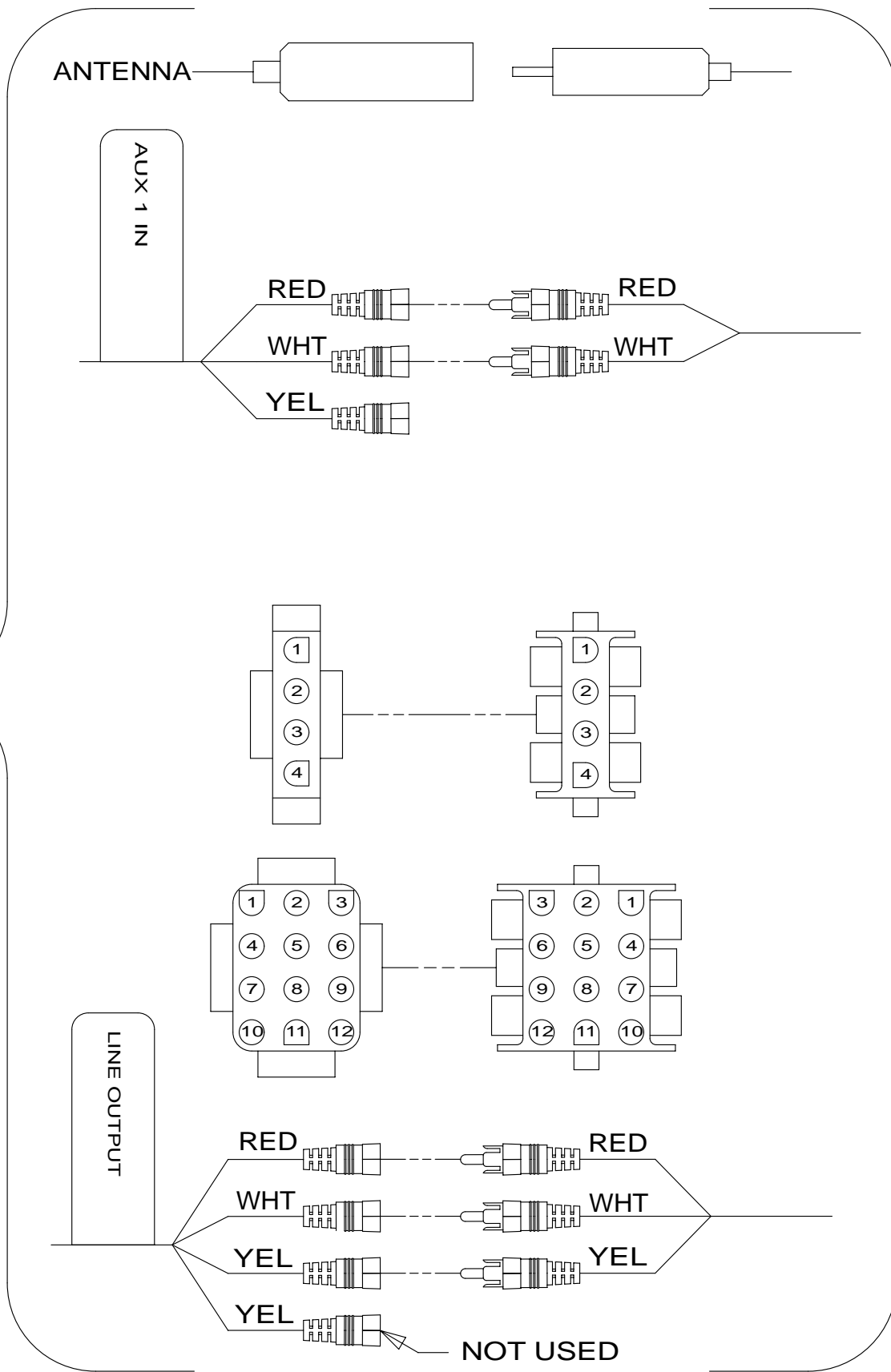
SWITCH  
 DETAIL CB

SWITCH  
 DETAIL CK

SWITCH  
 DETAIL CA

TO WATER PUMP

THRERMOSTAT  
 115764-01-CHT  
 SCREW  
 G13-07-12U (2)



DETAIL AC

- 029 CHINESE CHASSIS, GAS
- 11U TV-22"DC,LCD,STEREO/CD/DVD
- 53B WTR HTR-6GAL ELECTRIC/LP GAS
- 265 CODES/STANDARDS-CSA/CMVSS
- 1B1 CODES/STANDARDS USA

1B1 265

**WINNEBAGO** COPYRIGHT 2014 WINNEBAGO INDUSTRIES, INC.

DFTR	ORIG. DATE
CHKR	ALL DIMENSIONS ARE IN MILLIMETERS
P.E.	FIRST USED
M.E.	14 170X
DSNR	

UNSPECIFIED TOLERANCES ARE:  
 WHOLE DIM (X) : 3  
 ONE-PLACE (X.X) : 1.5  
 TWO-PLACE (X.XX) : 0.50  
 ANGLE : 1'

THIRD ANGLE PROJECTION

DO NOT SCALE DRAWING REFER TO ES0018 FOR FASTENER TIGHTENING GUIDELINES

TITLE: **WIRING INSTL-BODY,12V**

SHEET 1 OF 4 PART NO. **185922** REV

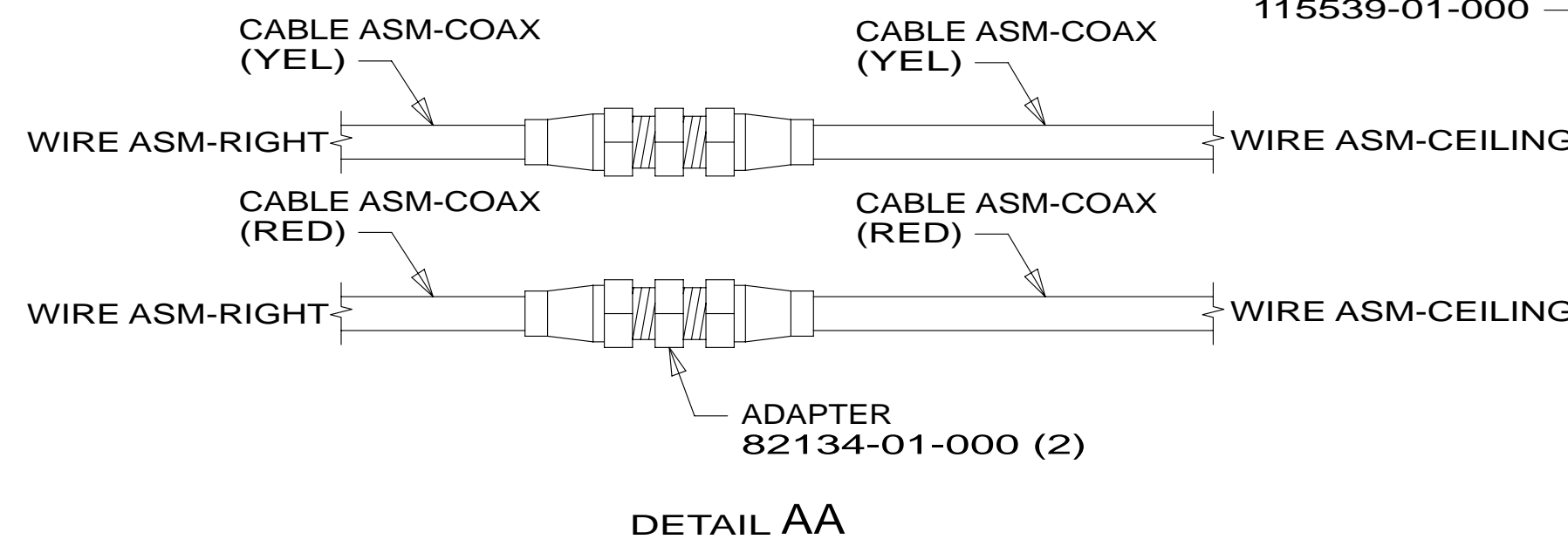
- 5 WATER TANK IS LOCATED UNDER COUCH WITH 029
- 4 MOUNT ON EXTERIOR SURFACE OF VAN SIDEWALL.
- 3 PLACE CROSS LOCATOR ON SENSORS OVER DIMPLES ON TANK.
2. ROUTE TANK SENSOR WIRES SO THEY DO NOT PASSOVER SENSORS. USE WIRE TIE MOUNT 155366-01-000 AND WIRE TIE 8343-01-000 AS NEEDED. TANK SURFACE MUST BE CLEANED USING ISOPROPYL ALCOHOL AND PRIMED WITH PRIMER 94.

1. ALL WIRES TO BE SECURED WITH CLAMP 10495 OR 10497 OR WIRE TIE 8343 OR 108046 EVERY 600MM, USE SCREW G67-XX-XXX OR G56-XX-XXX AS APPROPRIATE FOR ONSTALLATION.

NOTES:

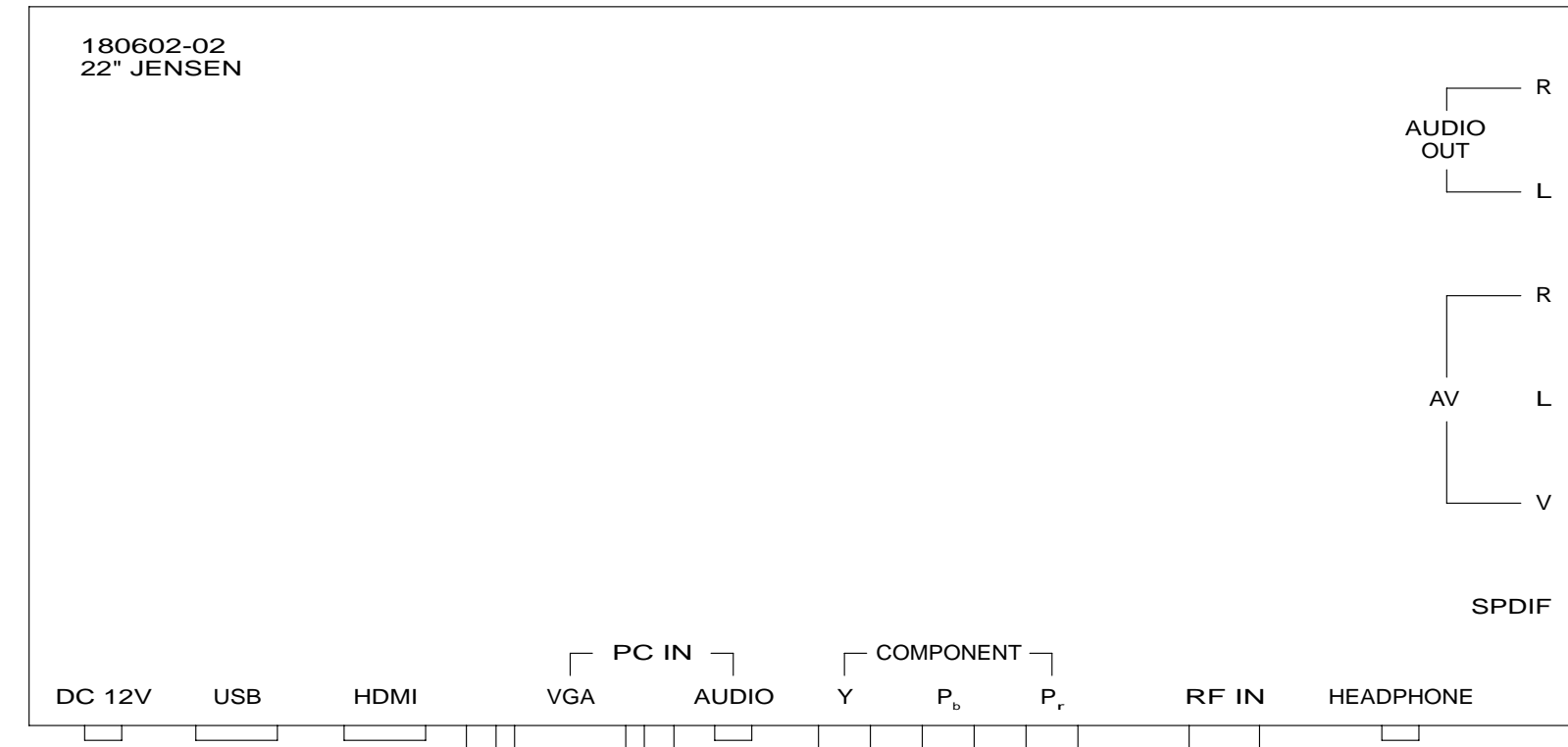
FOR ELECTRICAL TORQUE SPECIFICATIONS SEE DWG NO. 128783-01-000

FOR ELECTRICAL CALLOUTS SEE DWG NO. 121339-01-000



DETAIL AA

\* 185922



- TV-22", FLAT PANEL LED,HDTV 180602-02-000
- WIRE ASM-TV POWER 170909-02-000
- ADAPTOR-COAX 90° 176986-01-000
- COVER-WIRE 180129-01-000
- SCREW OMG02B-04-012 (4)
- WASHER E14-10-00B (4)
- BRACKET-TV MTG 179661-06-000
- 179661-07-000 (USE TV SUPPLIED SCREWS FOR LOWER ATTACHMENT)
- SCREW OMG02B-06-016 (4)
- NUT OMD54F-06-000 (4)
- DETAIL BF

- SPEAKER 160868-01-CHT
- GRILL 160868-02-CHT
- SCREW G11-08-08U (4)

LED-2 6

- WIRE ASM-OVHD 179177-01-000
- SUPPORT-DIMMER SWITCH 180743-02-CHT

- SWITCH DETAIL CG
- WALLPLATE 179004-02-CHT
- DETAIL BD

- SPEAKER 160868-01-CHT (2)
- GRILL 160868-02-CHT (2)
- SCREW G11-08-08U (8)

READ-5

- SWITCH DETAIL CF

BA

- WIRE ASM-OVHD,DINETTE 167061-01-000

- SWITCH-SOFA 136118-01-000
- RCP-12V 132958-01-000
- DETAIL BE

- WIRE ASM-LEFT 185962-01-000

- CONVERTER 184353-01-000
- SCREW G67-10-12U (3)
- DETAIL CL

- LOAD CENTER (REFERENCE) DETAIL CM

- SWITCH-WATER PUMP 108357-15-000
- ACTUATOR 108356-23-CHT

- SWITCH-DRAIN PUMP 108357-09-000
- ACTUATOR 108356-27-CHT
- SWITCH-BLANK 096241-03-000

- COAX (RED) ADAPTOR-COAX 82134-01-000
- NUT 82136-01-000
- LABEL 87236-01-000

- BRACKET-TV SWING MOUNT 179241-02-CHT
- PAD-FELT 3/8 023320-01-000 (3)
- (ADHERE TO RUBBER BUMPERS ON BRACKET)
- NUT-SERT 39715-01-000 (4)
- BOLT C26-04-10B (4)
- CONVOLUTE 41953-01-000 (1200 MM)

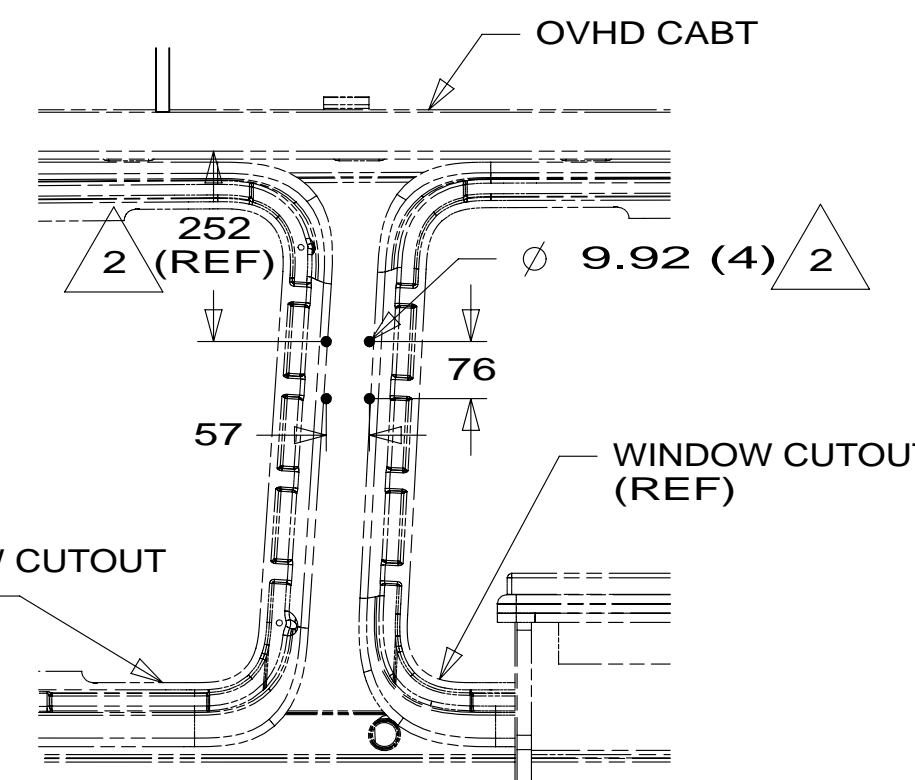
- OVHD CABT (REF)

TV (REF)

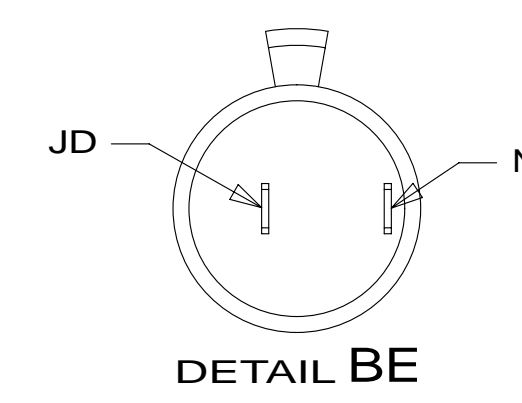
BD

- SIDEWALL (REF)

VIEW BA



VIEW BB 11U



DETAIL BE

FOR ELECTRICAL TORQUE SPECIFICATIONS SEE DWG NO. 128783-01-000

FOR ELECTRICAL CALLOUTS SEE DWG NO. 121339-01-000

- 029 CHINESE CHASSIS, GAS
- 11U TV-22"DC,LCD,STEREO/CD/DVD
- 53B WTR HTR-6GAL ELECTRIC/LP GAS
- 265 CODES/STANDARDS-CSA/CMVSS
- 1B1 CODES/STANDARDS USA

FIRST USED

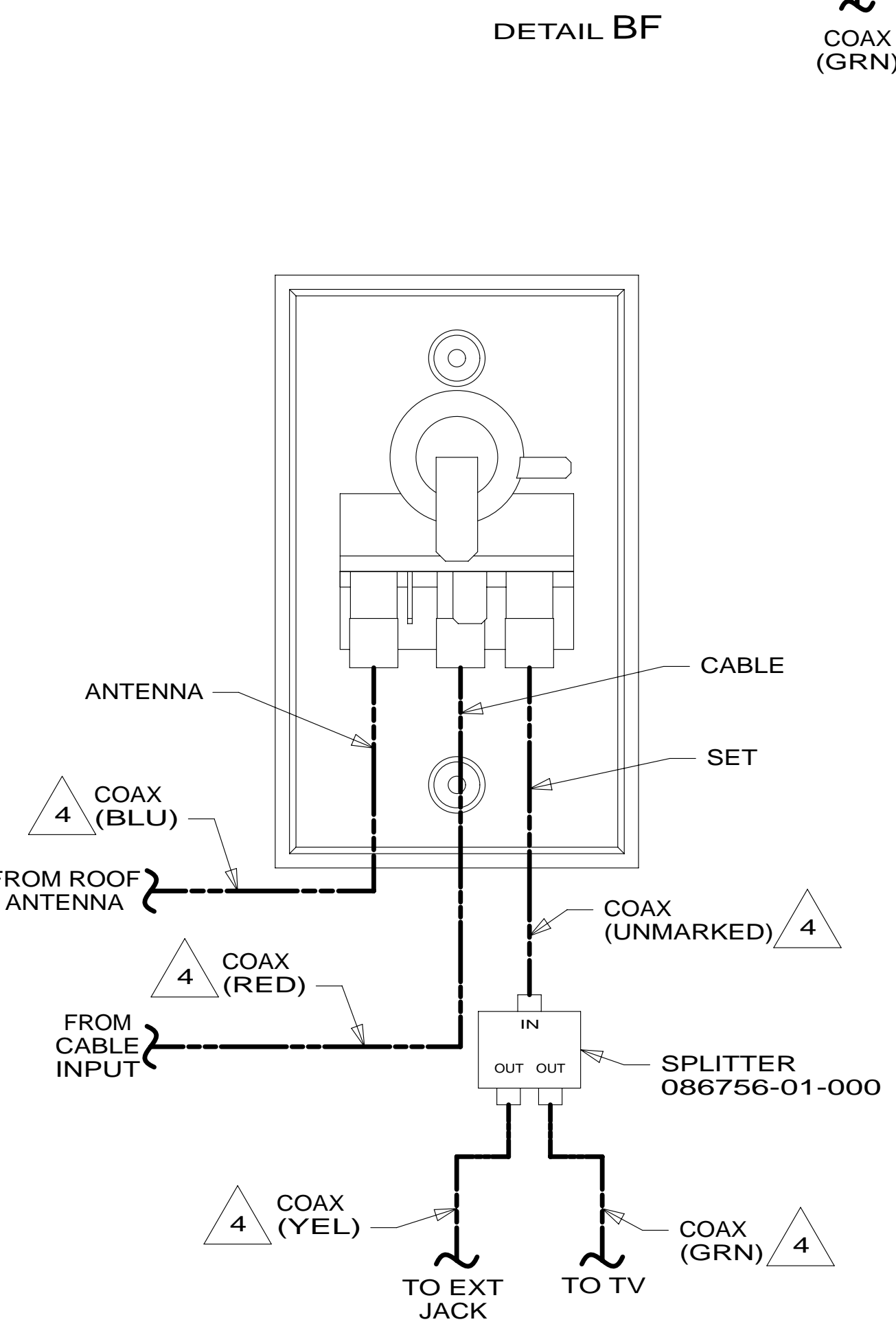
**14 170X**

**DO NOT SCALE DRAWING**

TITLE: **WIRING INSTL-BODY,12V**

SHEET 2 PART NO **185922** REV

05-May-2014



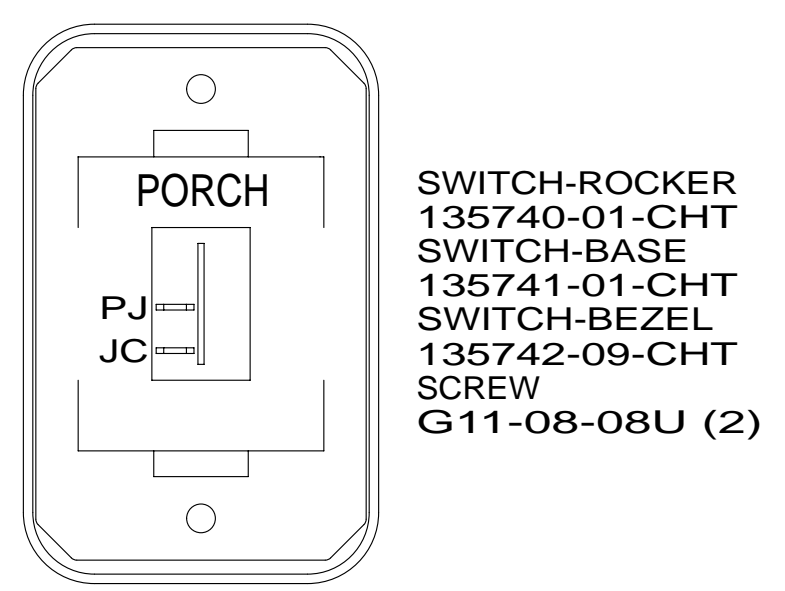
DETAIL BD

- 6 WITHOUT 029
- 5 MOUNTED IN EXTERIOR SERVICE CENTER.
- 4 COAX IS PART OF WIRE ASM-OVHD.
- 3 COVER ALL WIRES AND CABLES WITH CONVOLUTED TUBING. SECURE TO TV BRACKET SO THAT WIRES AND CABLES DO NOT BECOME PINCHED.
- 2 LOCATE HOLES TO MATCH PANEL ASM-VERTICAL.

1. ALL WIRES TO BE SECURED WITH CLAMP 10495 OR 10497 OR WIRE TIE 8343 OR 108046 EVERY 600MM, USE SCREW G67-XX-XXX OR G56-XX-XXX AS APPROPRIATE FOR ONSTALLATION.

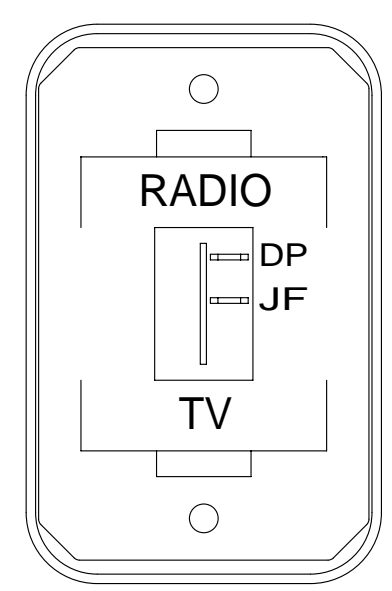
NOTES:

\* 185922



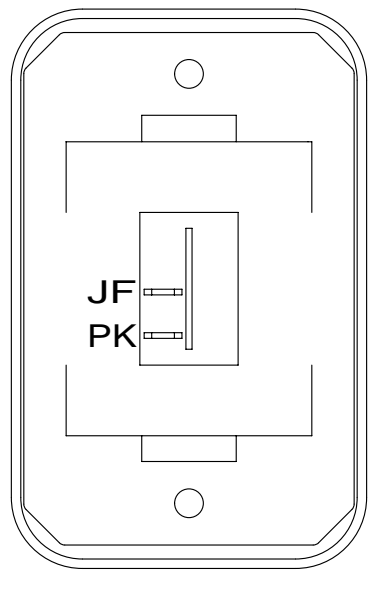
SWITCH-ROCKER  
135740-01-CHT  
SWITCH-BASE  
135741-01-CHT  
SWITCH-BEZEL  
135742-09-CHT  
SCREW  
G11-08-08U (2)

DETAIL CA



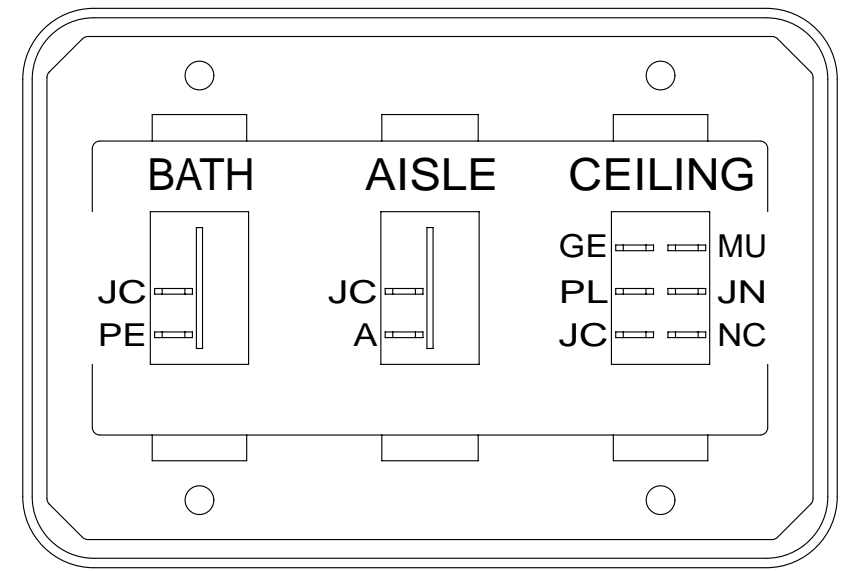
SWITCH-ROCKER  
135740-01-CHT  
SWITCH-BASE  
135741-01-CHT  
SWITCH-BEZEL  
135742-40-CHT  
SCREW  
G11-08-08U (2)

DETAIL CE



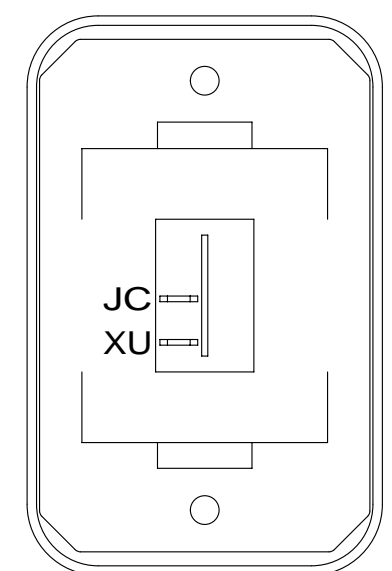
SWITCH-ROCKER  
135740-01-CHT  
SWITCH-BASE  
135741-01-CHT  
SWITCH-BEZEL  
135742-01-CHT  
SCREW  
G11-08-08U (2)

DETAIL CJ



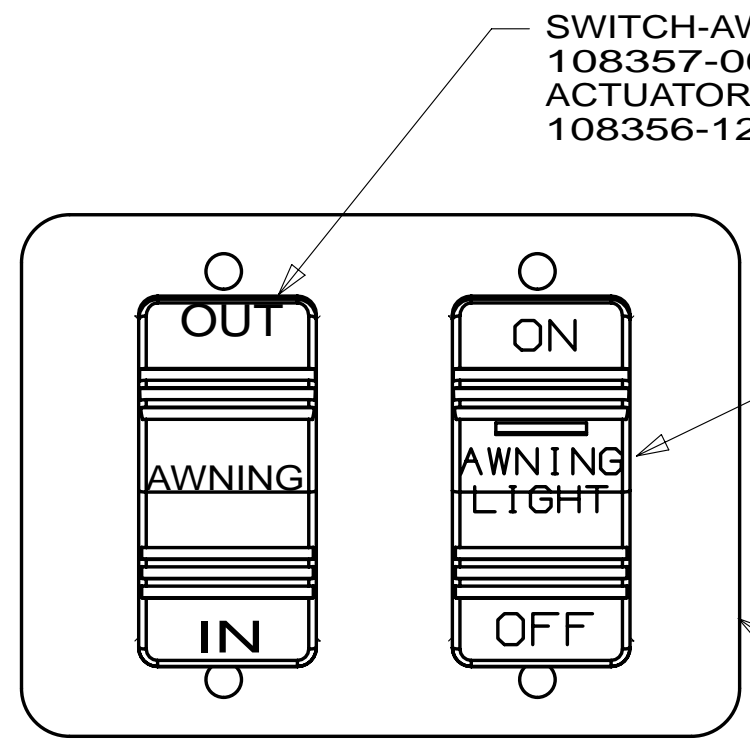
SWITCH-ROCKER  
135740-01-CHT (2)  
135740-05-CHT  
SWITCH-BASE  
135741-03-CHT  
SWITCH-BEZEL  
135742-24-CHT  
SCREW  
G11-08-08U (4)

DETAIL CB



SWITCH-ROCKER  
135740-01-CHT  
SWITCH-BASE  
135741-01-CHT  
SWITCH-BEZEL  
135742-01-CHT  
SCREW  
G11-08-08U (2)

DETAIL CF

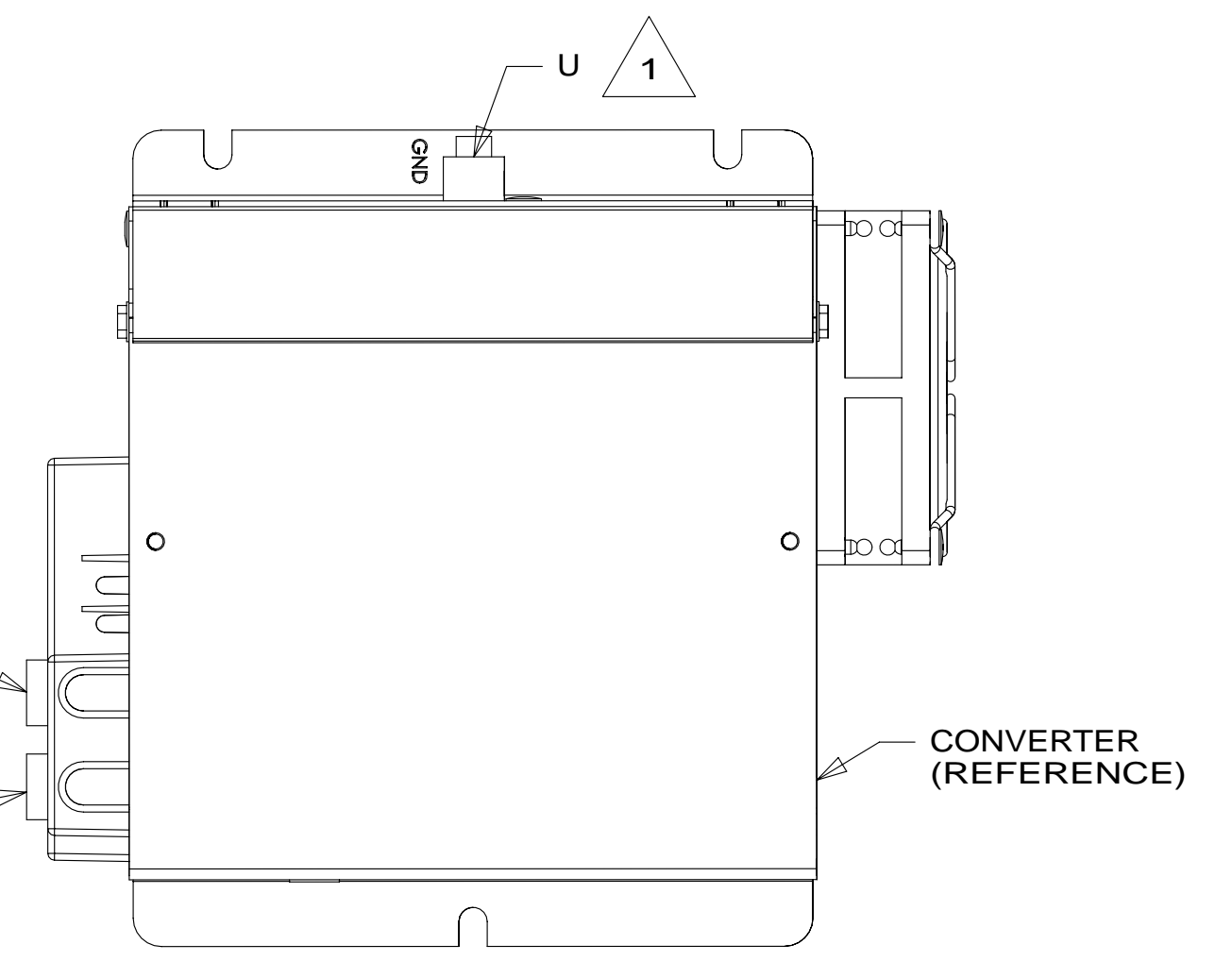


SWITCH-AWNING  
108357-06-000  
ACTUATOR-SWITCH  
108356-12-CHT

SWITCH-AWNING LIGHT  
108357-14-000  
ACTUATOR-SWITCH  
108356-28-CHT

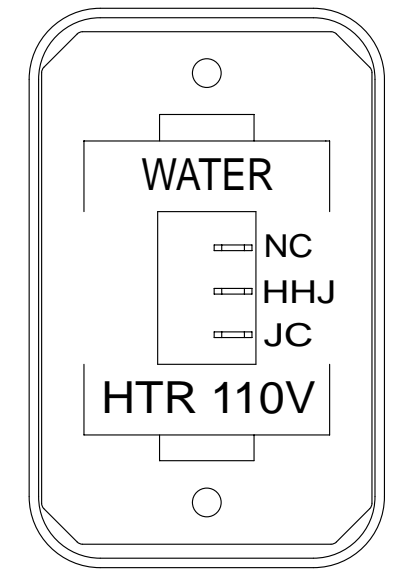
PLATE-SWITCH  
158431-17-CHT  
SCREW  
G11-06-10U (4)

DETAIL CK  
(FRONT SIDE)



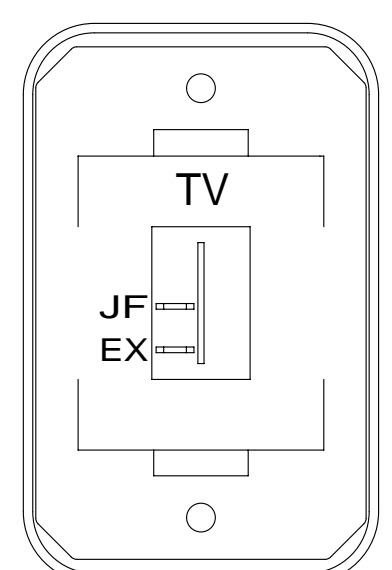
DETAIL CL

CONVERTER  
(REFERENCE)



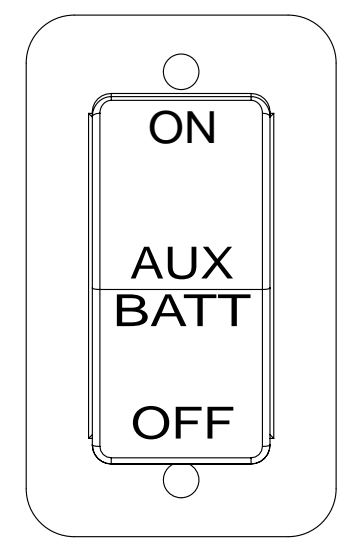
SWITCH-ROCKER  
135740-06-CHT  
SWITCH-BASE  
135741-01-CHT  
SWITCH-BEZEL  
135742-35-CHT  
SCREW  
G11-08-08U (2)

DETAIL CC



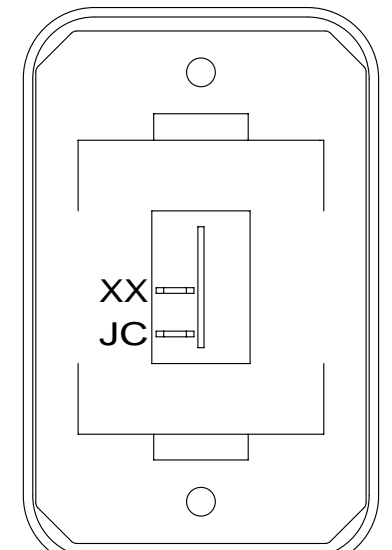
SWITCH-ROCKER  
135740-01-CHT  
SWITCH-BASE  
135741-01-CHT  
SWITCH-BEZEL  
135742-45-CHT  
SCREW  
G11-08-08U (2)

DETAIL CG



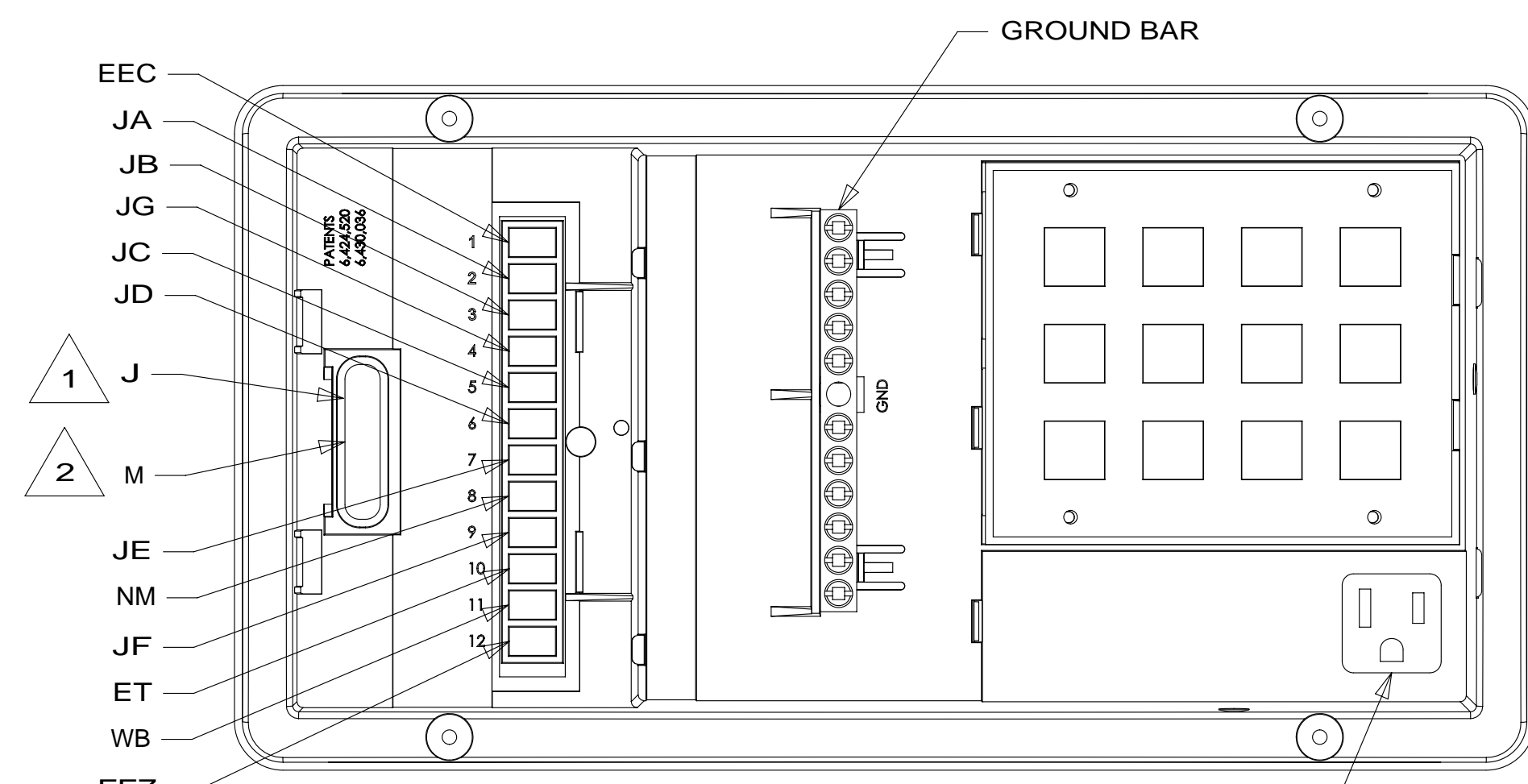
SWITCH-BATTERY,DISC  
108357-07-000  
ACTUATOR-SWITCH  
108356-11-CHT  
PLATE-SWITCH  
144363-02-CHT  
SCREW  
G11-06-10U (2)  
WIRE ASM-THERMISTOR  
186796-01-000

DETAIL CD  
(FRONT SIDE)



SWITCH-ROCKER  
135740-01-CHT  
SWITCH-BASE  
135741-01-CHT  
SWITCH-BEZEL  
135742-01-CHT  
SCREW  
G11-08-08U (2)

DETAIL CH



DETAIL CM

PLUG CONVERTER  
POWER CORD INTO  
CONVENIENCE RECEPTACLE

2 CIRCUIT FROM WIRE ASM-COACH.  
1 CIRCUIT FROM WIRE ASM-CHASSIS

NOTES:

265 CODES/STANDARDS-CSA/CMVSS

1B1 CODES/STANDARDS USA

1B1 265

FIRST USED 14 170X

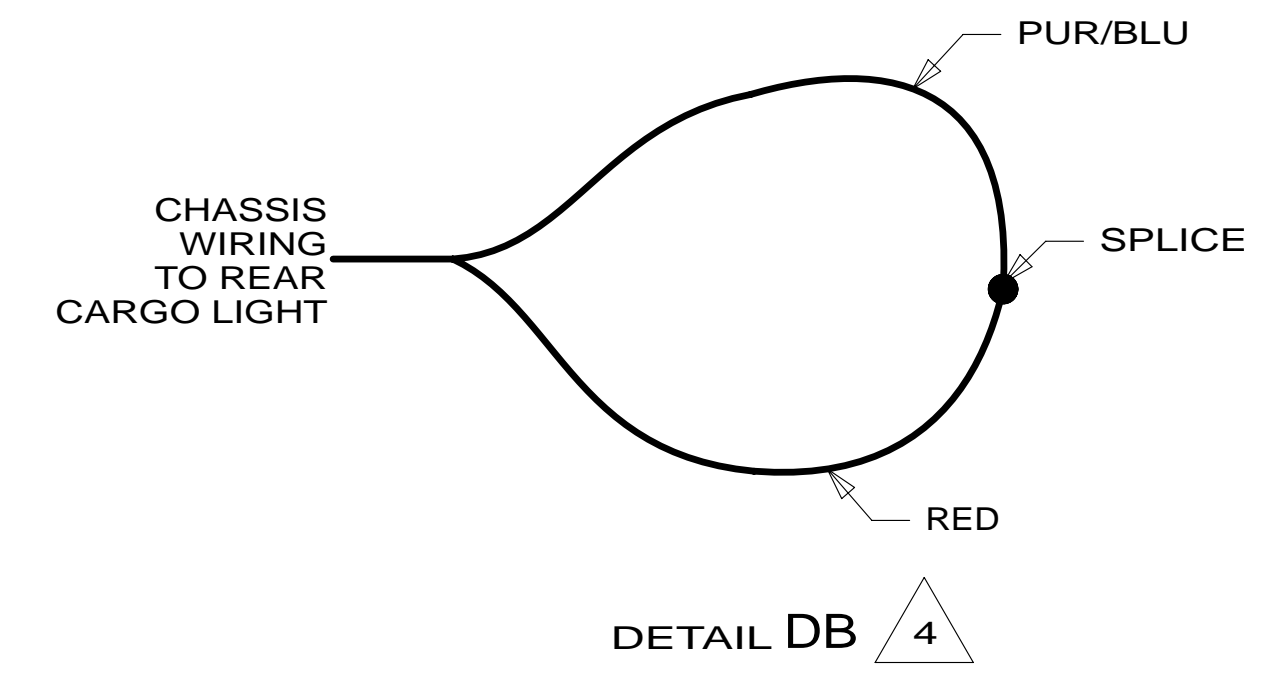
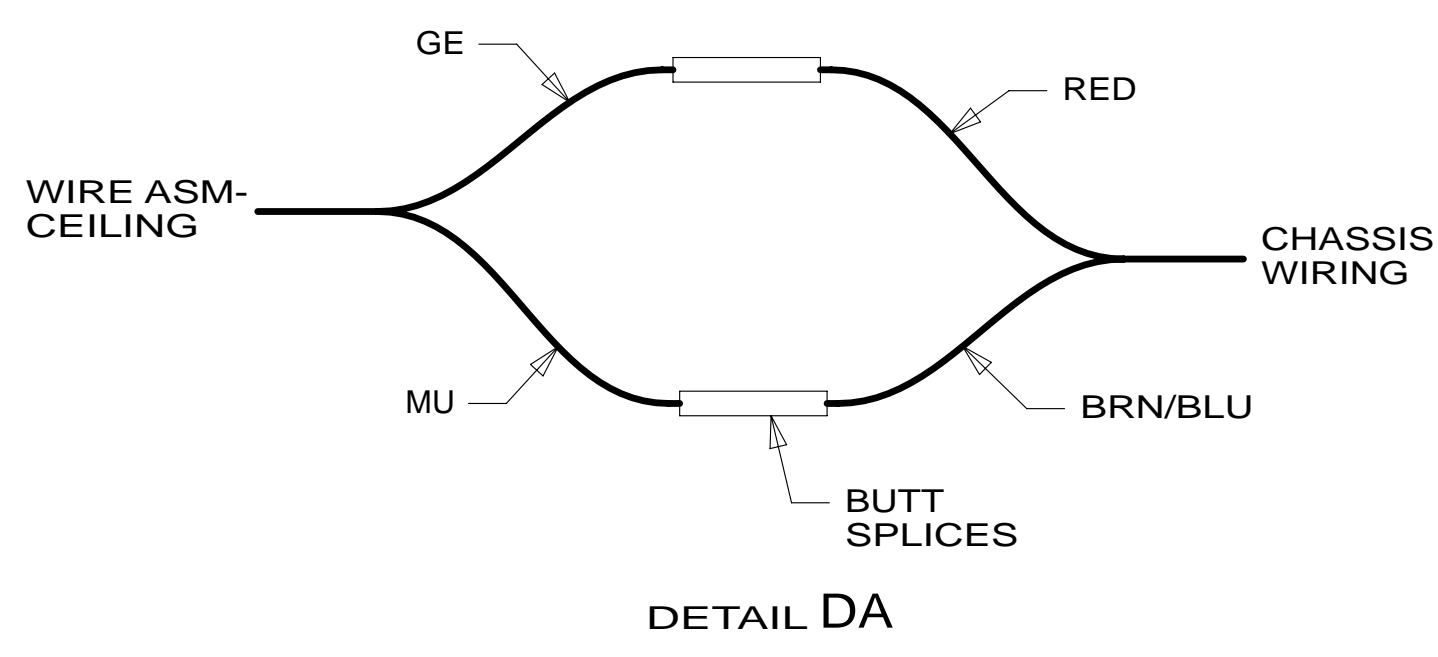
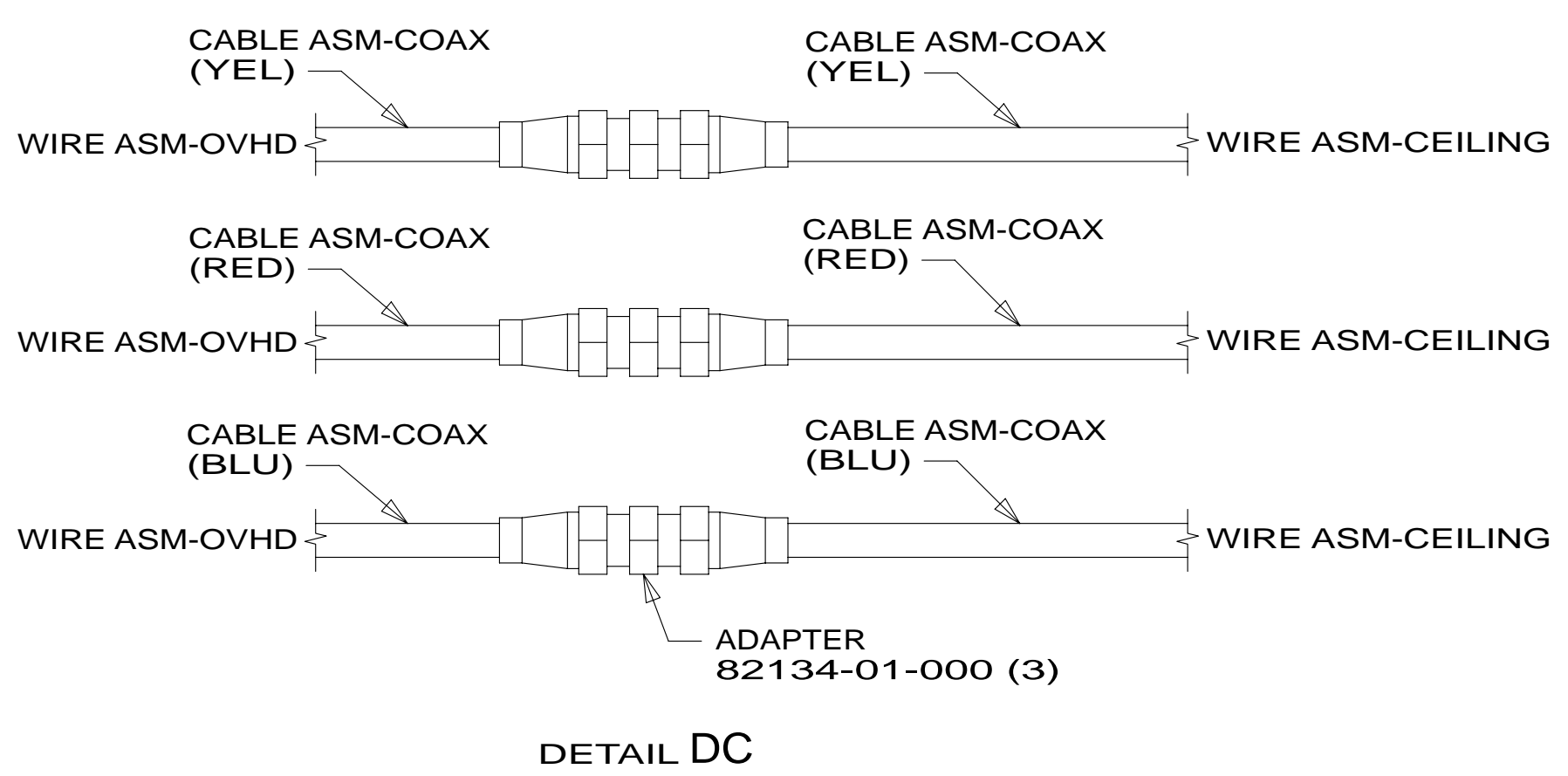
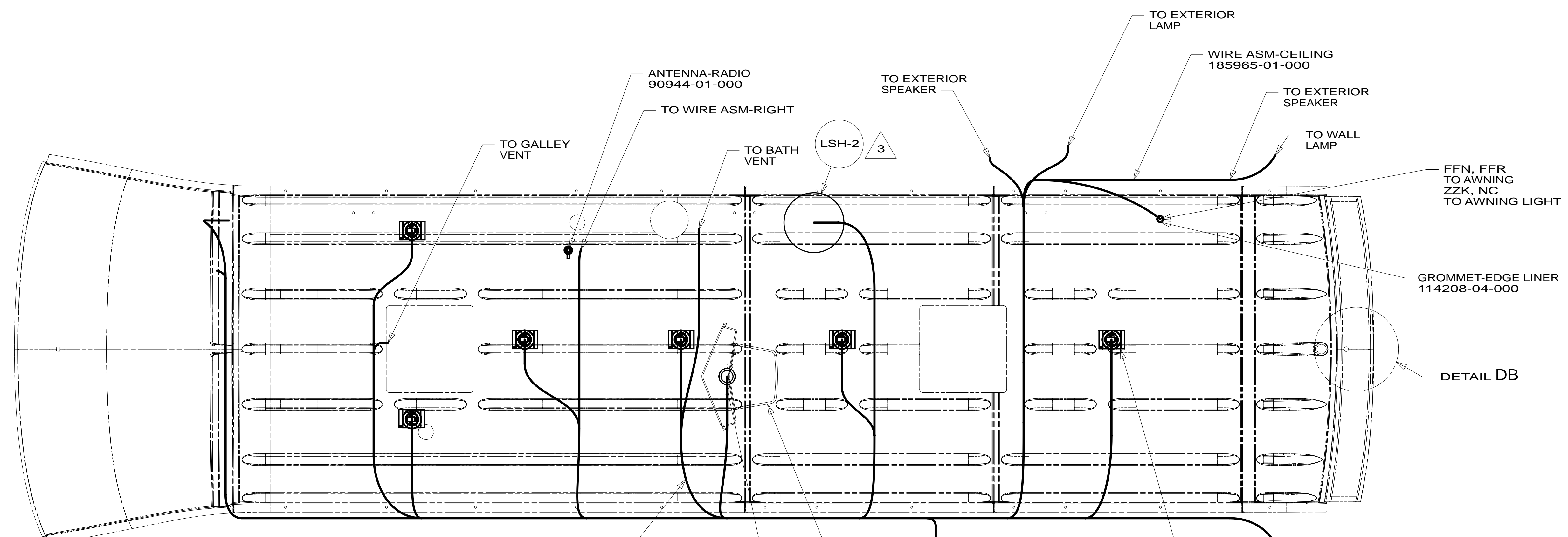
DO NOT SCALE DRAWING

TITLE: WIRING INSTL-BODY,12V

SHEET 3 PART NO 185922 REV

FOR ELECTRICAL  
TORQUE  
SPECIFICATIONS  
SEE DWG NO.  
128783-01-000

X-X  
FOR  
ELECTRICAL  
CALLOUTS  
SEE DWG NO.  
121339-01-000



- 4 REMOVE REAR CARGO LAMP. CUT THE RED AND 'PUR/BLU' WIRES AND SPLICE TOGETHER.
- 3 MOUNTED ON INTERIOR SURFACE OF ROOF.
- 2 MOUNTED ON EXTERIOR SURFACE OF ROOF.

1. ALL WIRES TO BE SECURED WITH CLAMP 10495 OR 10497 OR WIRE TIE 8343 OR 108046 EVERY 600MM, USE SCREW G67-XX-XXX OR G56-XX-XXX AS APPROPRIATE FOR INSTALLATION.

NOTES:

265 CODES/STANDARDS-CSA/CMVSS

1B1 CODES/STANDARDS USA

1B1 265

FIRST USED **14 170X**

DO NOT SCALE DRAWING

TITLE: **WIRING INSTL-BODY,12V**

SHEET 4 PART NO **185922** REV

FOR ELECTRICAL TORQUE SPECIFICATIONS SEE DWG NO. 128783-01-000

FOR ELECTRICAL CALLOUTS SEE DWG NO. 121339-01-000

\* 185922 \*