



DANGER

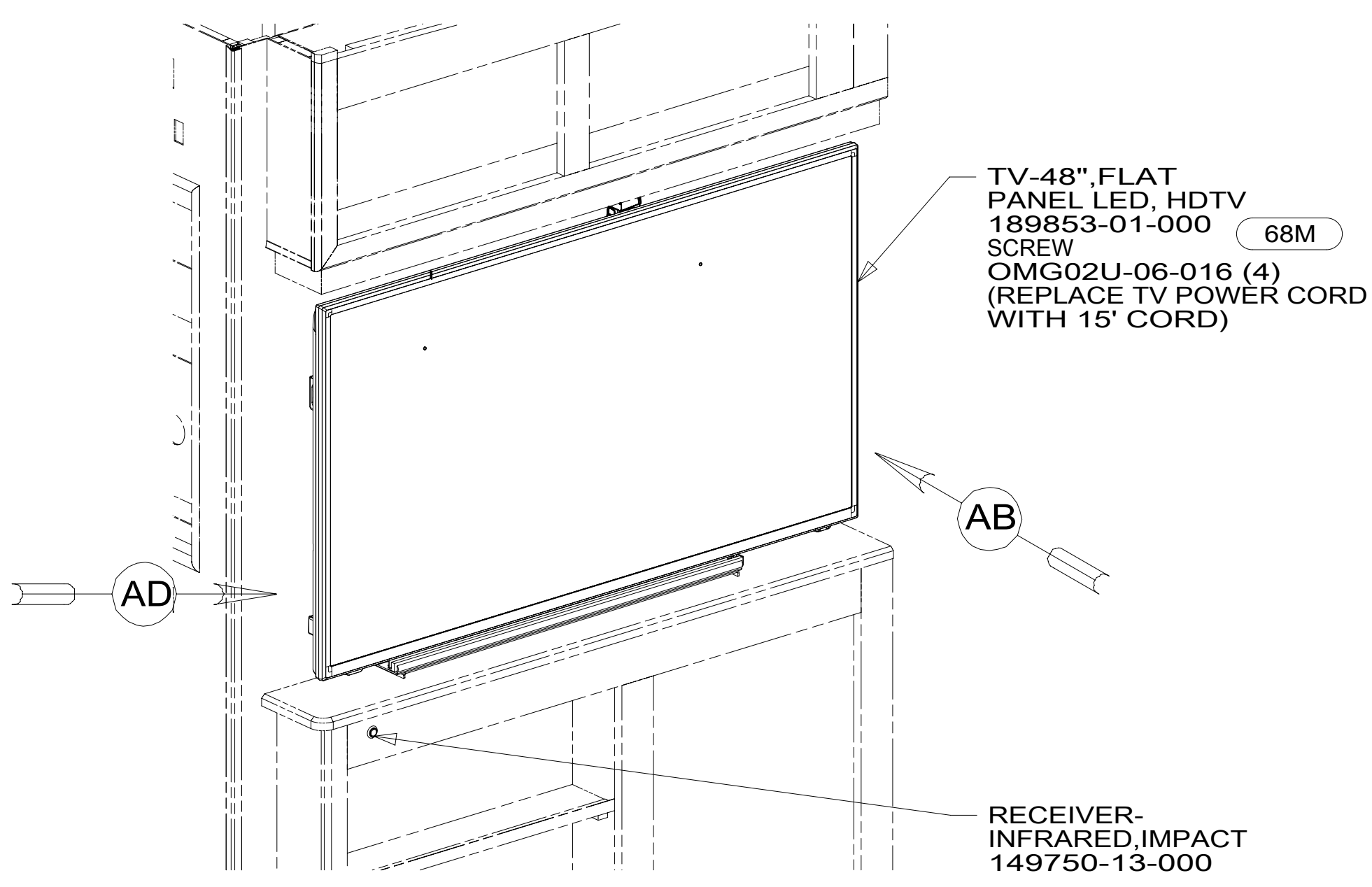
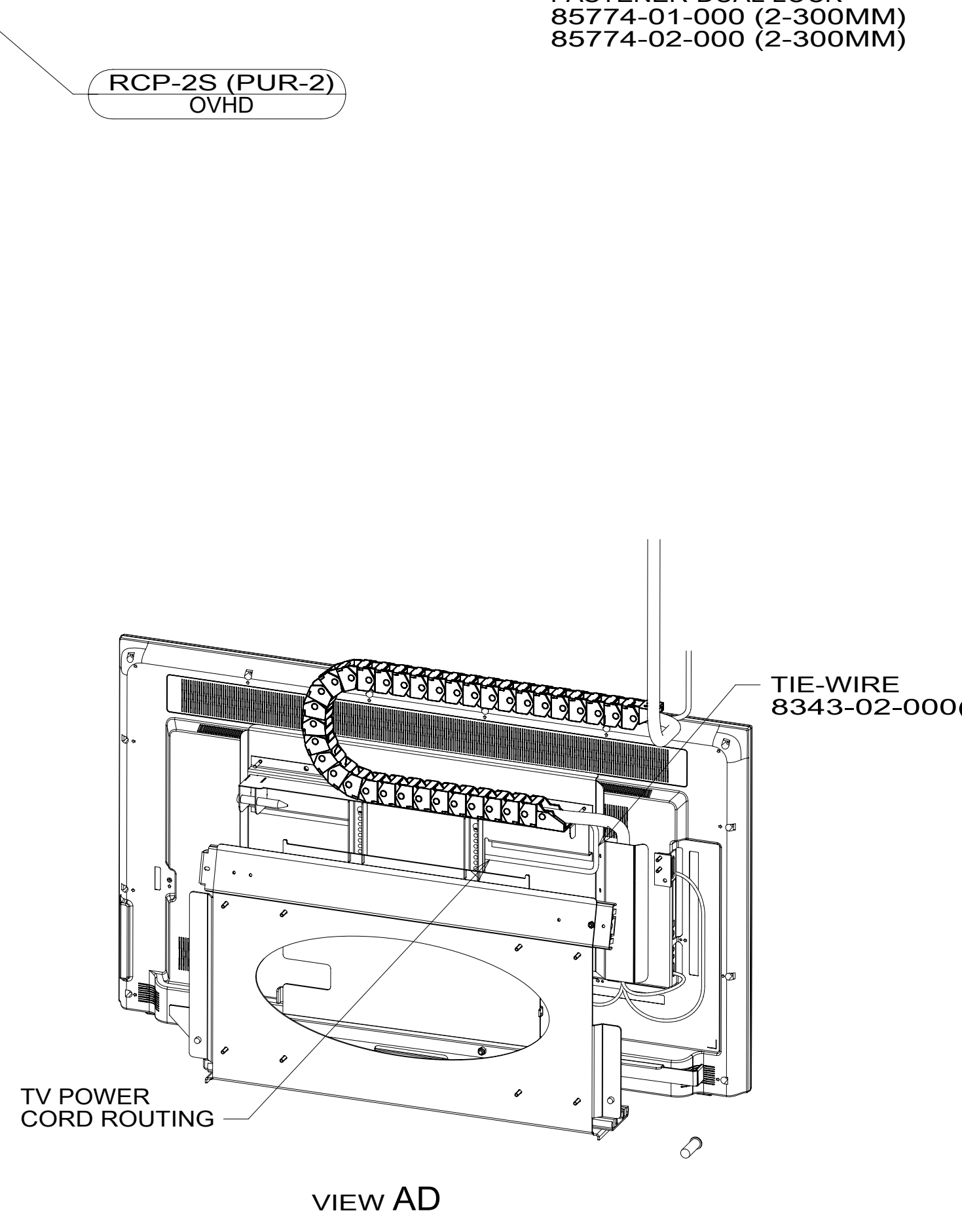
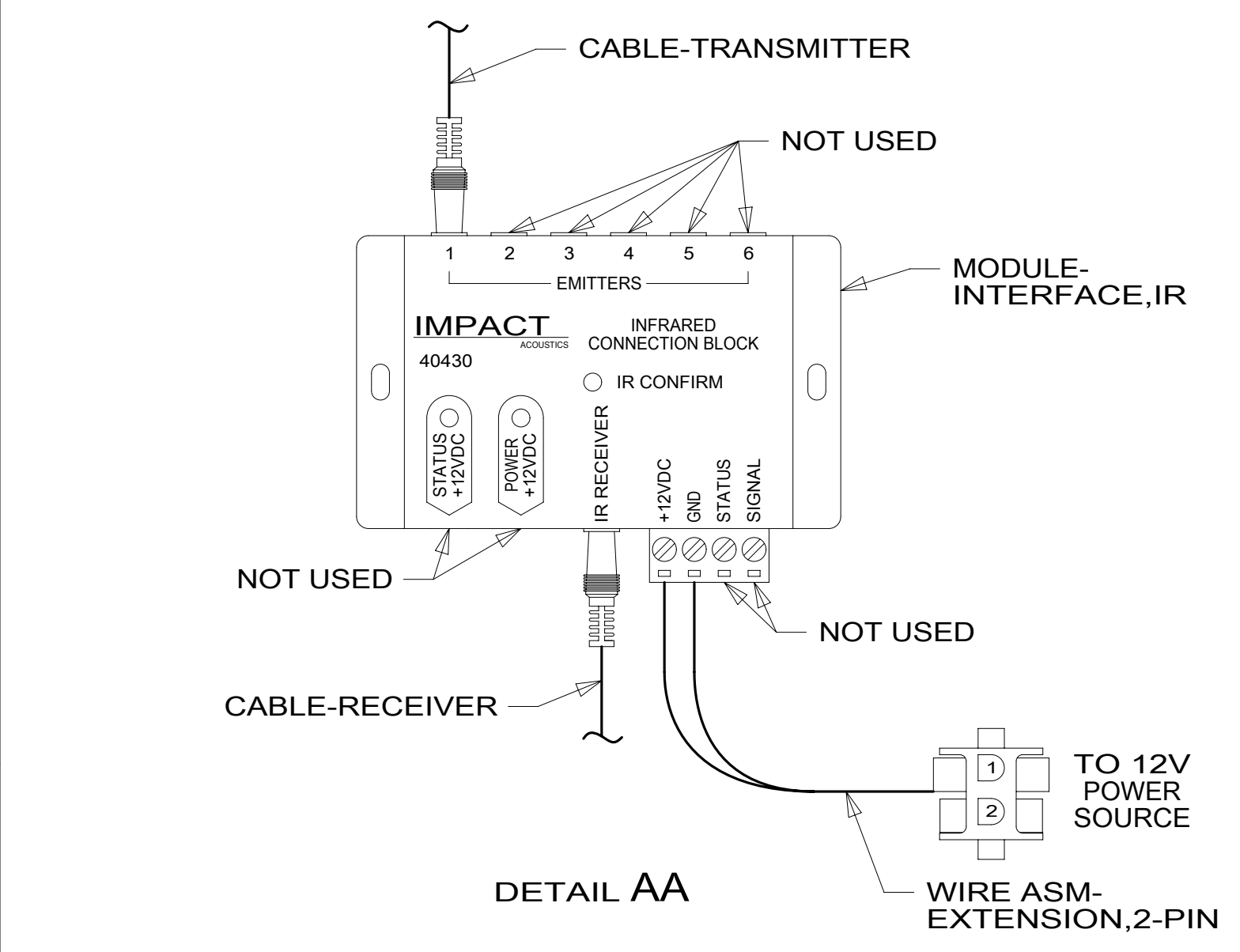
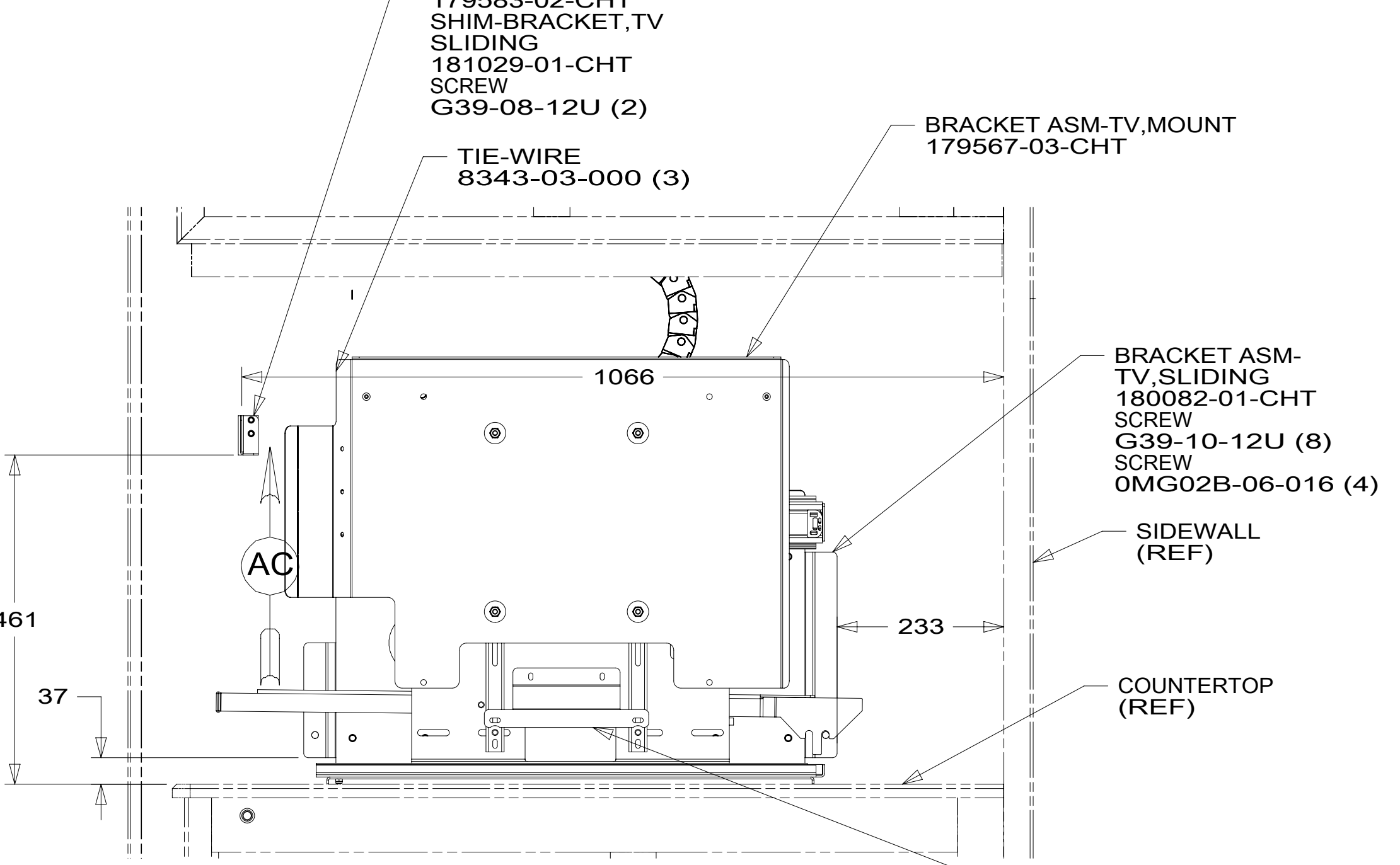
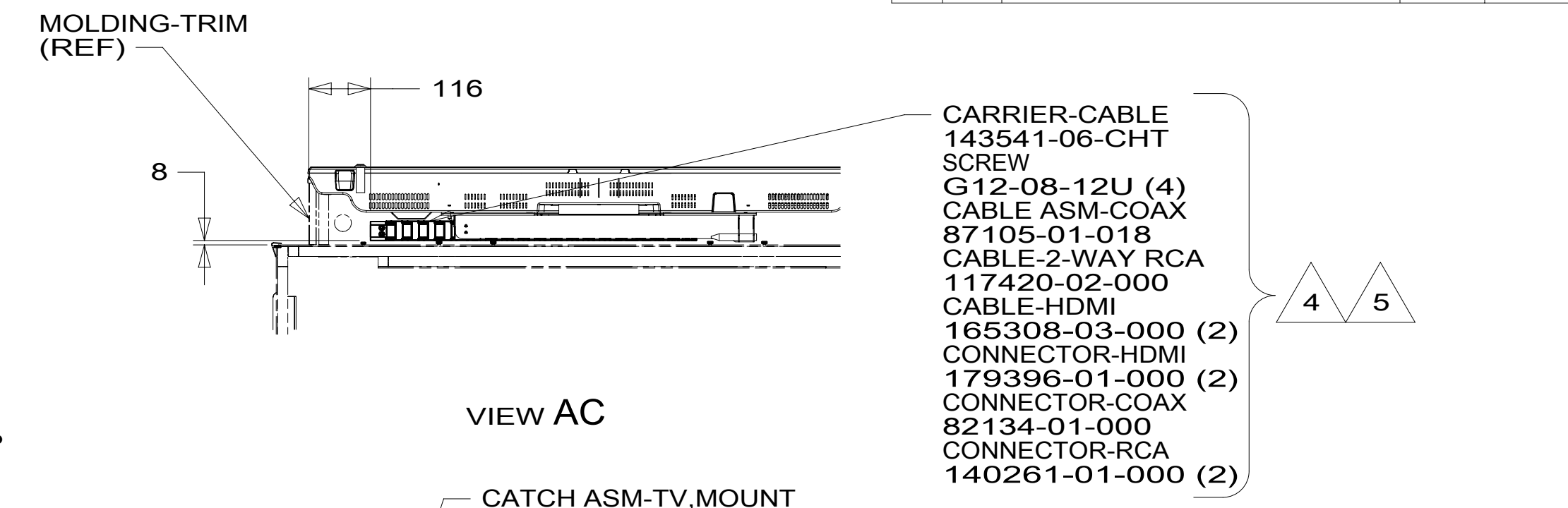
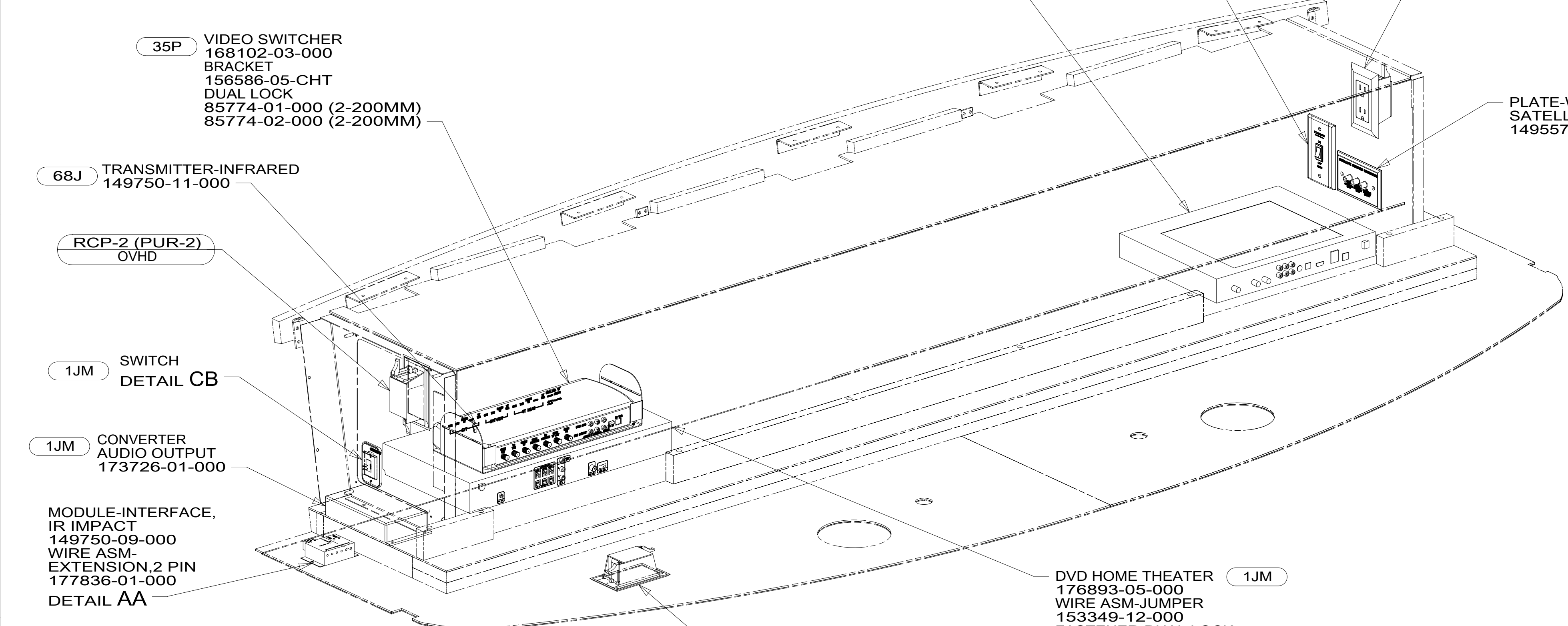
Danger of electrical shock, burns or death. Always remove all power sources before attempting any repair, service or diagnostic work. Power can be present from shore power, generator, inverter or battery. All power sources must be disabled and secured before performing any service.



CAUTION

If you lack the skills, tools or equipment to perform diagnostic or repair work leave such work to an authorized Winnebago Industries dealer or other qualified shop.

DRAWING NO.	MODEL	SHEETS
185862-01	D30A	1,7,8
185862-02	D33C	2,3,5,6,9
185862-03	D36V	4,7,10,14
185862-04	D35G	11,12,13



- 35P VIDEO SELECTION SYSTEM
- 68M TV-48" COLOR, EXTENDABLE
- 78K SATELLITE TV SYSTEM AUTO
- 1JM HOME THEATER SOUND SYSTEM
- 265 CODES/STANDARDS-CSA/CMVSS
- 1B1 CODES/STANDARDS USA

- NOTES:
- 110V WIRE TO BE CLAMPED WITH CLAMP 10497-05-000 WITHIN 200 MM OF OUTLET BOXES. USE SCREW G67-10-12B.
 - ALL WIRES TO BE SECURED WITH CLAMP 10495-01-000 OR CLIP 80734-01-000 EVERY 600 MM. USE SCREW G67-10-12B UNLESS OTHERWISE SPECIFIED.
 - WHERE WIRES PASS THROUGH HOLES IN STEEL AND NOT OTHERWISE PROTECTED, USE GROMMET 92908-02-000.
 - INSTALL POWER CORD AND ALL MISC AV CABLES IN CABLE CARRIER BEFORE INSTALLATION.
 - TAPE ALL IN-LINE CONNECTIONS TO SECURE.

FOR ELECTRICAL TORQUE SPECIFICATIONS SEE DWG NO. 128783-01-000

FOR ELECTRICAL CALLOUTS SEE DWG NO. 121339-01-000

WINNEBAGO INDUSTRIES, INC. COPYRIGHT 2014

DFTR	ORIG. DATE
CHKR	ALL DIMENSIONS ARE IN MILLIMETERS
P.E.	FIRST USED
M.E.	14 D-SERIES
DSNR	MATERIAL:
UNSPECIFIED TOLERANCES ARE:	
WHOLE DIM (X)	: 3
ONE-PLACE (X.X)	: 1.5
TWO-PLACE (X.XX)	: 0.50
ANGLE	: 1°
THIRD ANGLE PROJECTION	
DO NOT SCALE DRAWING	REFER TO ES0018 FOR FASTENER TIGHTENING GUIDELINES
TITLE: WIRING INSTL-TV/DVD	
SHEET 1 OF 14	PART NO. 185862 REV

REF: 1 18-Nov-2014

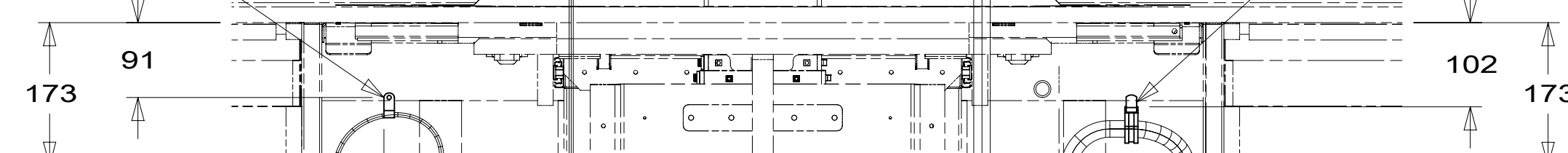
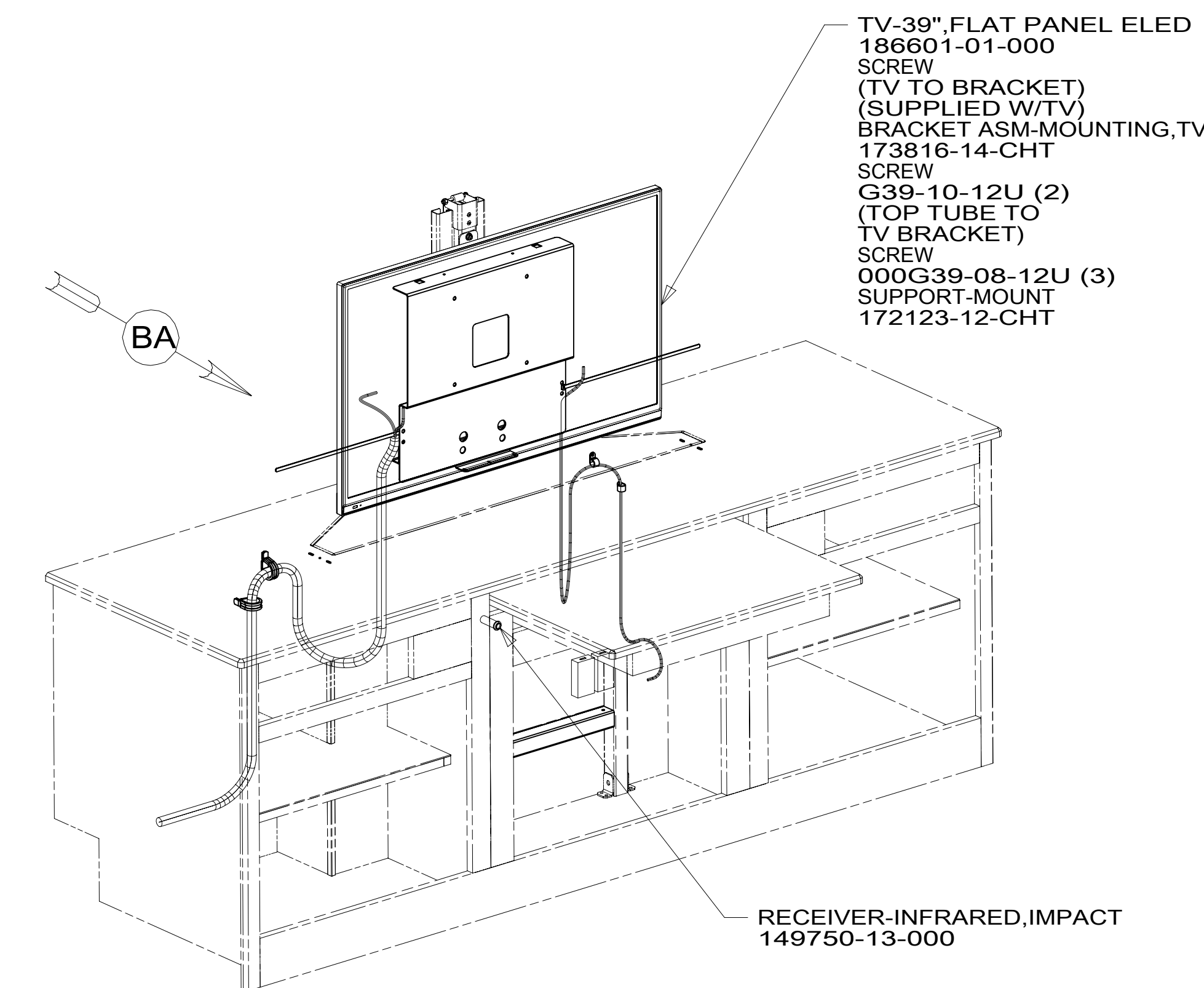
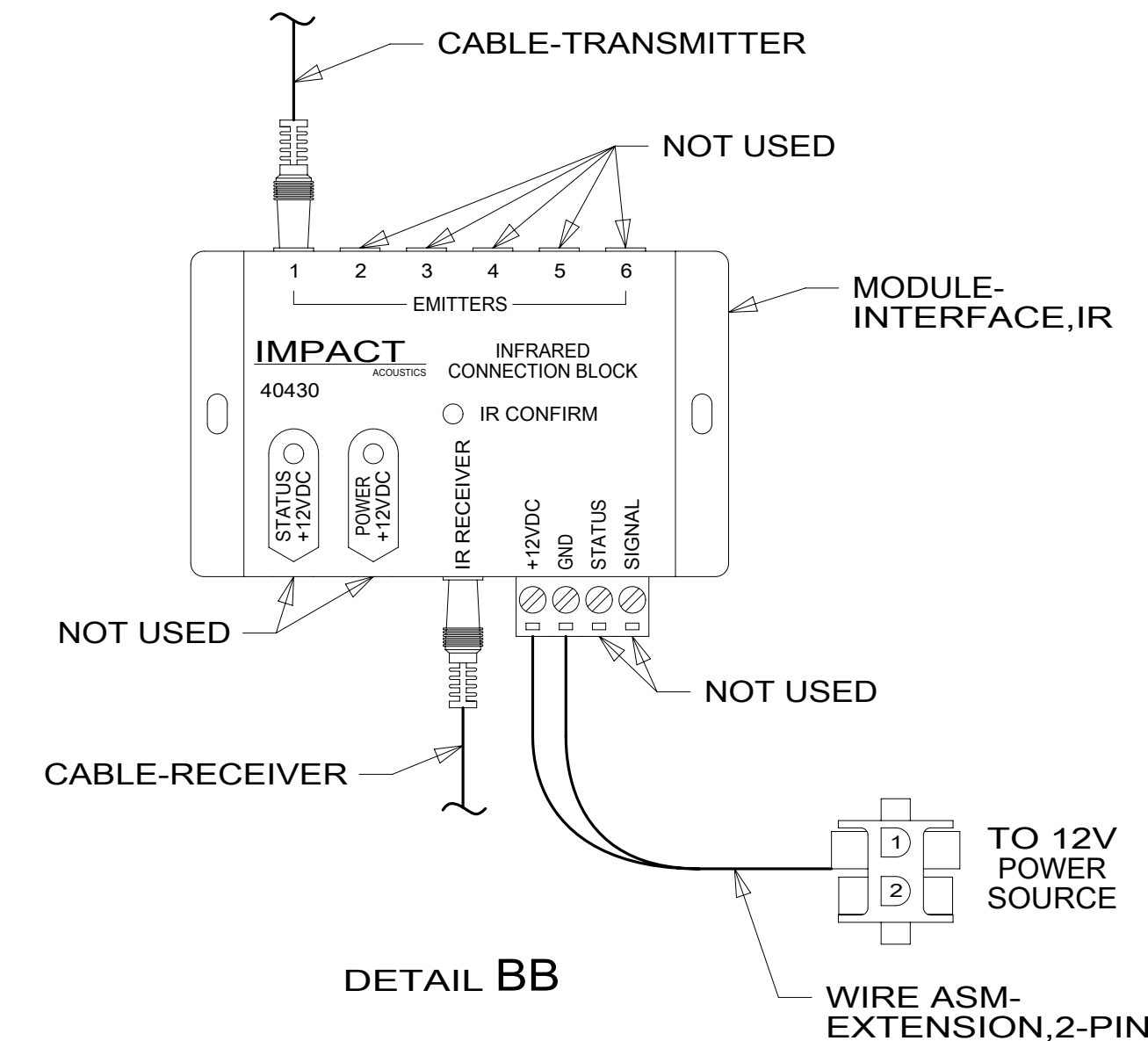
*185862

WIRE TIE IS TO BE ROUTED THROUGH HOLE IN LOWER BRACKET AS SHOWN TO PROPERLY SUPPORT CABLE ASM (2) PLACES

CLAMP-CABLE 10495-01-000 (2)
SCREW G11-08-16U (2)

TIE-WIRE 8343-04-000 (2)

CLAMP-CLOSED 10497-02-000 (2)
SCREW G11-08-16U (2)



CONVERTER-HDMI/CAT6 (RECIEVER) (SAT PREP) 178304-02-000
FASTENER-DUAL LOCK 85774-01-000 (50MM) (2)
85774-02-000 (50MM) (2)

VIEW BA

CONVERTER-HDMI/CAT6 (RECEIVER) (HOME THEATER) 178304-02-000
FASTENER-DUAL LOCK 85774-01-000 (50MM) (2)
85774-02-000 (50MM) (2)

35P VIDEO SWITCHER 168102-03-000
BRACKET 156586-05-CHT

78K SWITCH-SATELLITE 186102-04-CHT
DETAIL CC

RCP-2 (PUR-2) OVHD#1

3 21R TRANSMITTER-INFRARED 149750-11-000 (2)

RCP-2 (PUR-2) OVHD#2

PLATE-WALL SATELLITE PREP 149557-04-CHT

CONVERTER-HDMI/CAT6 (TRANSMITTER) (SAT PREP) 178304-02-000
FASTENER-DUAL LOCK 85774-01-000 (50 MM) (2)
85774-02-000 (50 MM) (2)

1JM SWITCH DETAIL CB

RECEIVER-SATELLITE (REF)

1JM CONVERTER-AUDIO OUTPUT 173726-01-000

CONVERTER-HDMI/CAT6 (TRANSMITTER) (HOME THEATER) 178304-02-000
FASTENER-DUAL LOCK 85774-01-000 (50MM) (2)
85774-02-000 (50MM) (2)

DVD-HOME THEATER 180079-03-000
WIRE ASM-JUMPER 153349-11-000
FASTENER-DUAL LOCK 85774-01-000 (300MM) (2)
85774-02-000 (300MM) (2)

RCP-2S (PUR-2) OVHD

MODULE-INTERFACE, IR IMPACT 149750-09-000
WIRE ASM-EXTENSION, 2 PIN 177836-01-000
DETAIL BB

- 1JM HOME THEATER SOUND SYSTEM
- 78K SATELLITE TV SYSTEM AUTO
- 35P VIDEO SELECTION SYSTEM
- 21R DINING/BUFFET/POWERED TV
- 265 CODES/STANDARDS-CSA/CMVSS
- 1B1 CODES/STANDARDS USA

1B1 265 21R

- NOTES:
- 3 POSITION IR EMITTER OVER IR RECEIVER ON DVD PLAYER.
 - 2 APPLY FOAM TAPE TO TOP OF TV BRACKET WHERE IT CONTACTS TV FACE.
 - 1 COIL FOR FUTURE USE.

FOR ELECTRICAL TORQUE SPECIFICATIONS SEE DWG NO. 128783-01-000

FOR ELECTRICAL CALLOUTS SEE DWG NO. 121339-01-000

FIRST USED

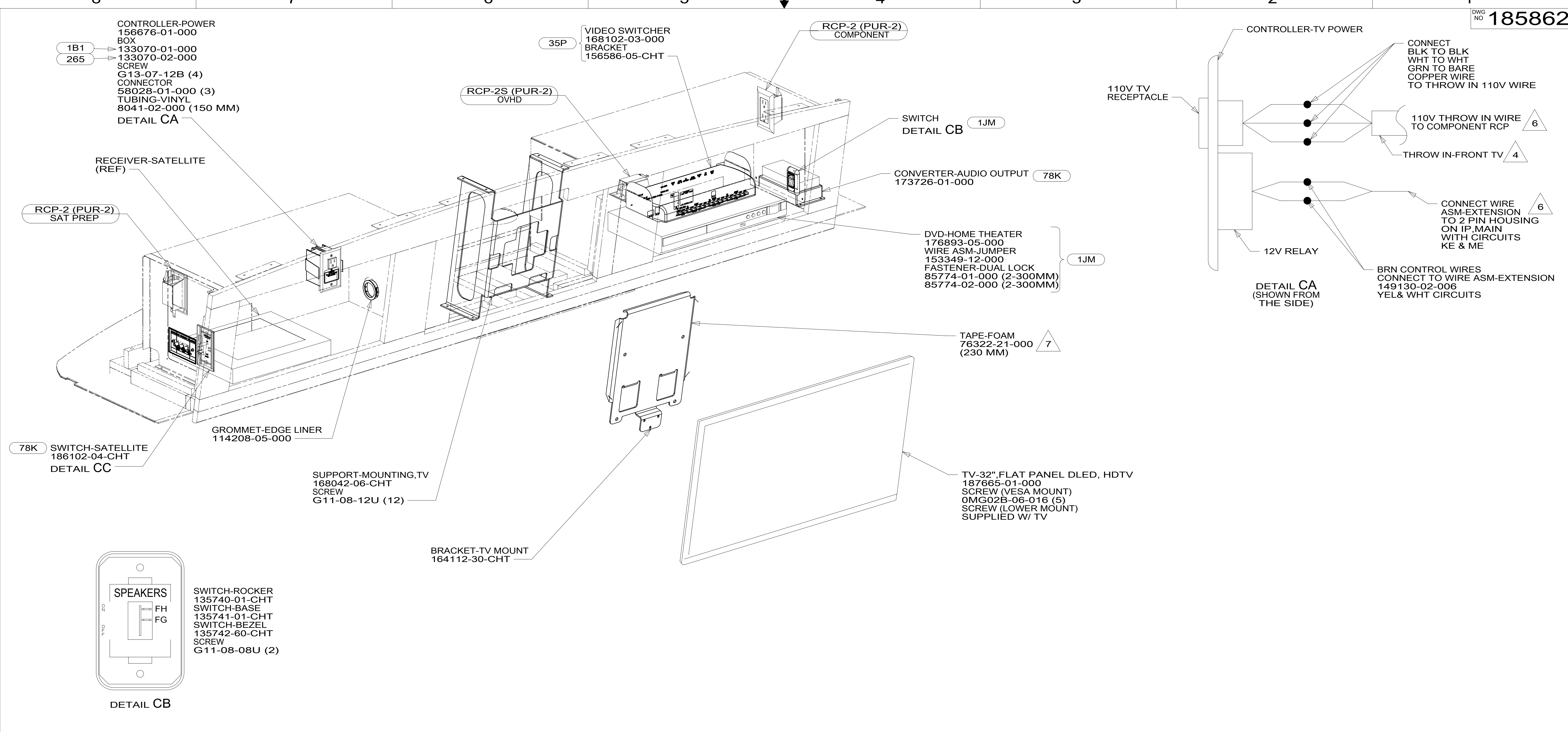
14 D-SERIES

DO NOT SCALE DRAWING

TITLE: **WIRING INSTL-TV/DVD**

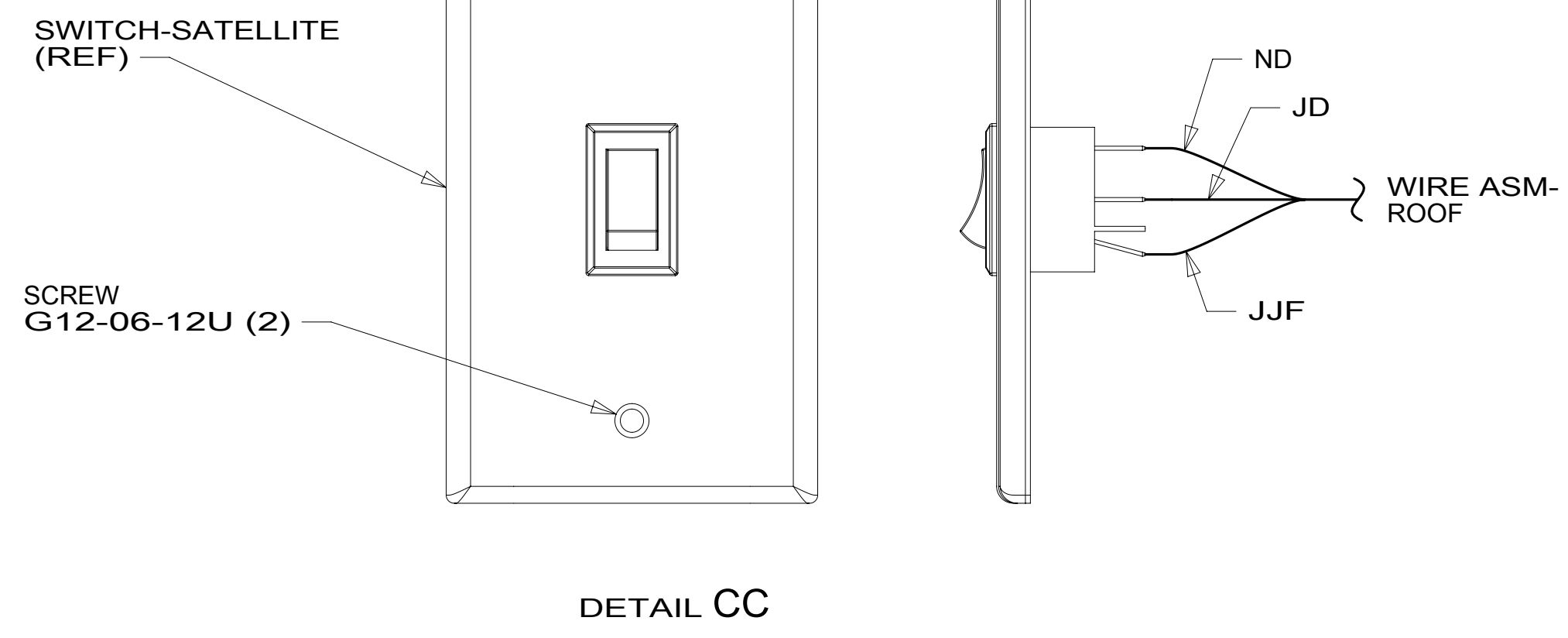
SHEET 2 PART NO **185862** REV

*185862



- 7 PREP SURFACE WITH 87211-01-000.
 - 6 ROUTE 110V & 12V IN OPPOSITE ENDS OF ELECTRICAL BOX.
 - 5 ROUTE TRANSMITTER THROUGH CUTOUT AND COIL FOR FUTURE USE.
 - 4 SEE 110V LOAD CENTER FOR ADDITIONAL INFORMATION.
3. WHERE WIRES PASS THROUGH HOLES IN STEEL AND NOT OTHERWISE PROTECTED, USE GROMMET 92908-02-000.
 2. ALL WIRES TO BE SECURED WITH CLAMP 10495-01-000 OR CLIP 80734-01-000 EVERY 600MM. USE SCREW G67-10-12B UNLESS OTHERWISE SPECIFIED.
 1. 110V WIRE TO BE CLAMPED WITH CLAMP 10497-05-000 WITHIN 200MM OF OUTLET BOXES, USE SCREW G67-10-12B.

NOTES:

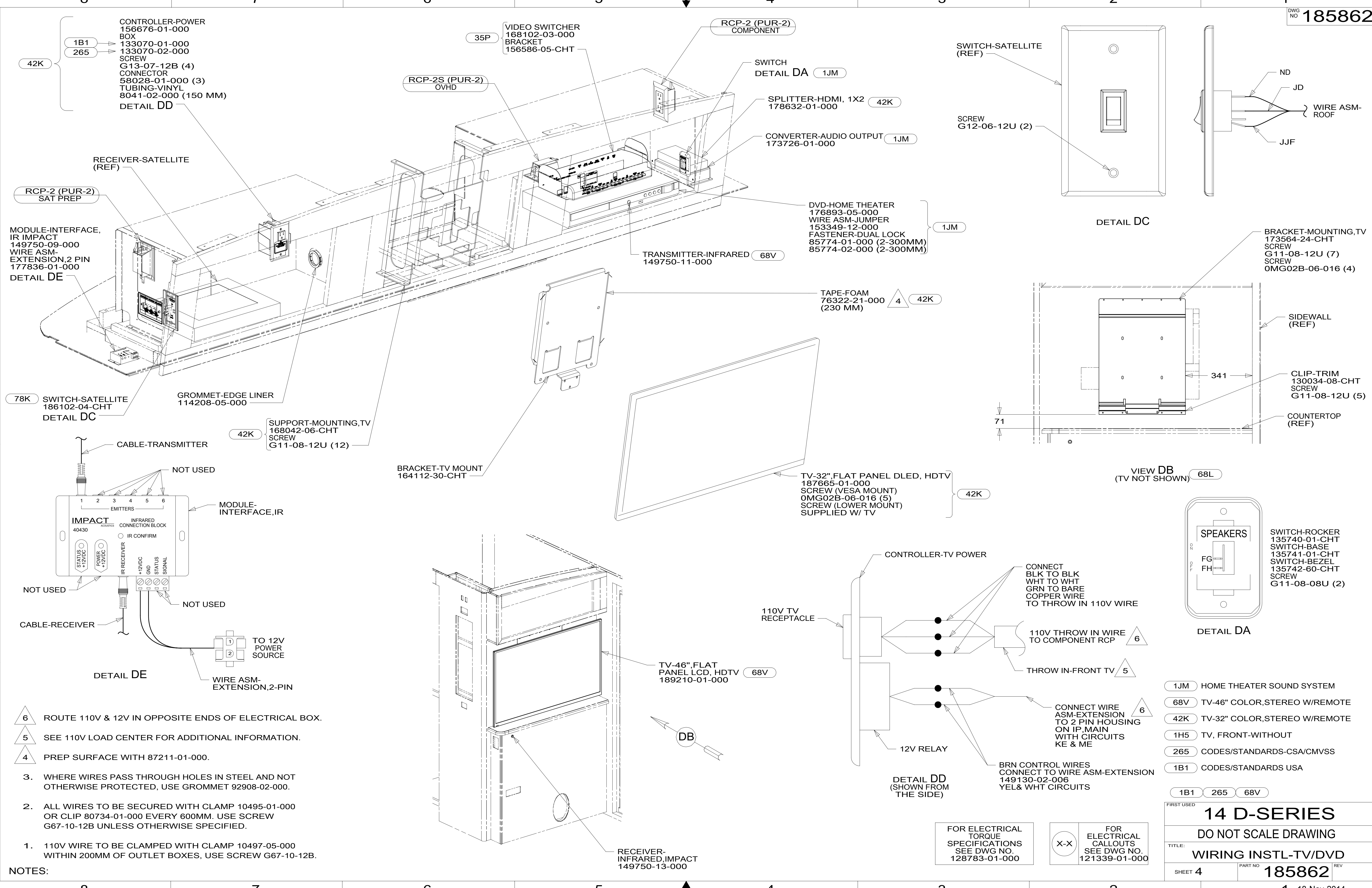


- 78K SATELLITE TV SYSTEM AUTO
- 1JM HOME THEATER SOUND SYSTEM
- 35P VIDEO SELECTION SYSTEM
- 42K TV-32" COLOR, STEREO W/REMOTE
- 265 CODES/STANDARDS-CSA/CMVSS
- 1B1 CODES/STANDARDS USA

1B1	265	42K
FIRST USED		
14 D-SERIES		
DO NOT SCALE DRAWING		
TITLE: WIRING INSTL-TV/DVD		
SHEET 3	PART NO. 185862	REV

FOR ELECTRICAL TORQUE SPECIFICATIONS SEE DWG NO. 128783-01-000

FOR ELECTRICAL CALLOUTS SEE DWG NO. 121339-01-000



- NOTES:**
1. 110V WIRE TO BE CLAMPED WITH CLAMP 10497-05-000 WITHIN 200MM OF OUTLET BOXES, USE SCREW G67-10-12B.
 2. ALL WIRES TO BE SECURED WITH CLAMP 10495-01-000 OR CLIP 80734-01-000 EVERY 600MM. USE SCREW G67-10-12B UNLESS OTHERWISE SPECIFIED.
 3. WHERE WIRES PASS THROUGH HOLES IN STEEL AND NOT OTHERWISE PROTECTED, USE GROMMET 92908-02-000.
- LEGEND:**
- 6 ROUTE 110V & 12V IN OPPOSITE ENDS OF ELECTRICAL BOX.
 - 5 SEE 110V LOAD CENTER FOR ADDITIONAL INFORMATION.
 - 4 PREP SURFACE WITH 87211-01-000.

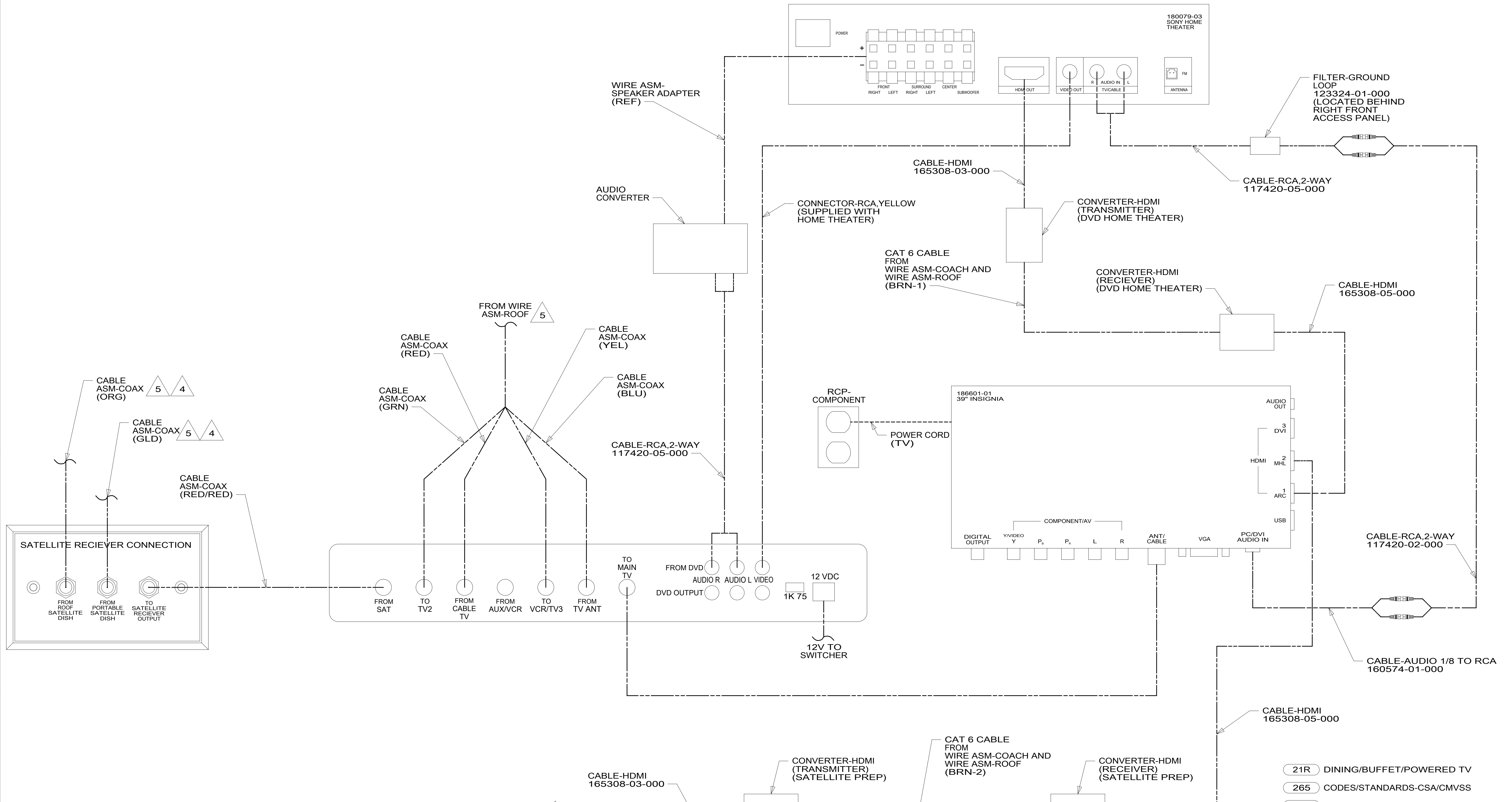
FOR ELECTRICAL TORQUE SPECIFICATIONS SEE DWG NO. 128783-01-000

X-X FOR ELECTRICAL CALLOUTS SEE DWG NO. 121339-01-000

- 1JM HOME THEATER SOUND SYSTEM
- 68V TV-46" COLOR, STEREO W/REMOTE
- 42K TV-32" COLOR, STEREO W/REMOTE
- 1H5 TV, FRONT-WITHOUT
- 265 CODES/STANDARDS-CSA/CMVSS
- 1B1 CODES/STANDARDS USA

FIRST USED		14 D-SERIES	
DO NOT SCALE DRAWING			
TITLE: WIRING INSTL-TV/DVD			
SHEET 4	PART NO.	185862	REV
		18-Nov-2014	

185862



- 5 COAX IS FROM WIRE ASM-ROOF.
- 4 CONNECTS TO BACK SIDE OF PLATE.
- 3 COIL IN LEFT FRONT OVHD CABT.

2. ALL CONNECTIONS ARE SHOWN FROM BACKSIDE OF COMPONENTS.
 1. SEE WIRING INSTL-BODY, 12V FOR ADDITIONAL INFORMATION.
 NOTES:

- 21R DINING/BUFFET/POWERED TV
- 265 CODES/STANDARDS-CSA/CMVSS
- 1B1 CODES/STANDARDS USA

1B1 265 21R

FIRST USED

14 D-SERIES

DO NOT SCALE DRAWING

TITLE: **WIRING INSTL-TV/DVD**

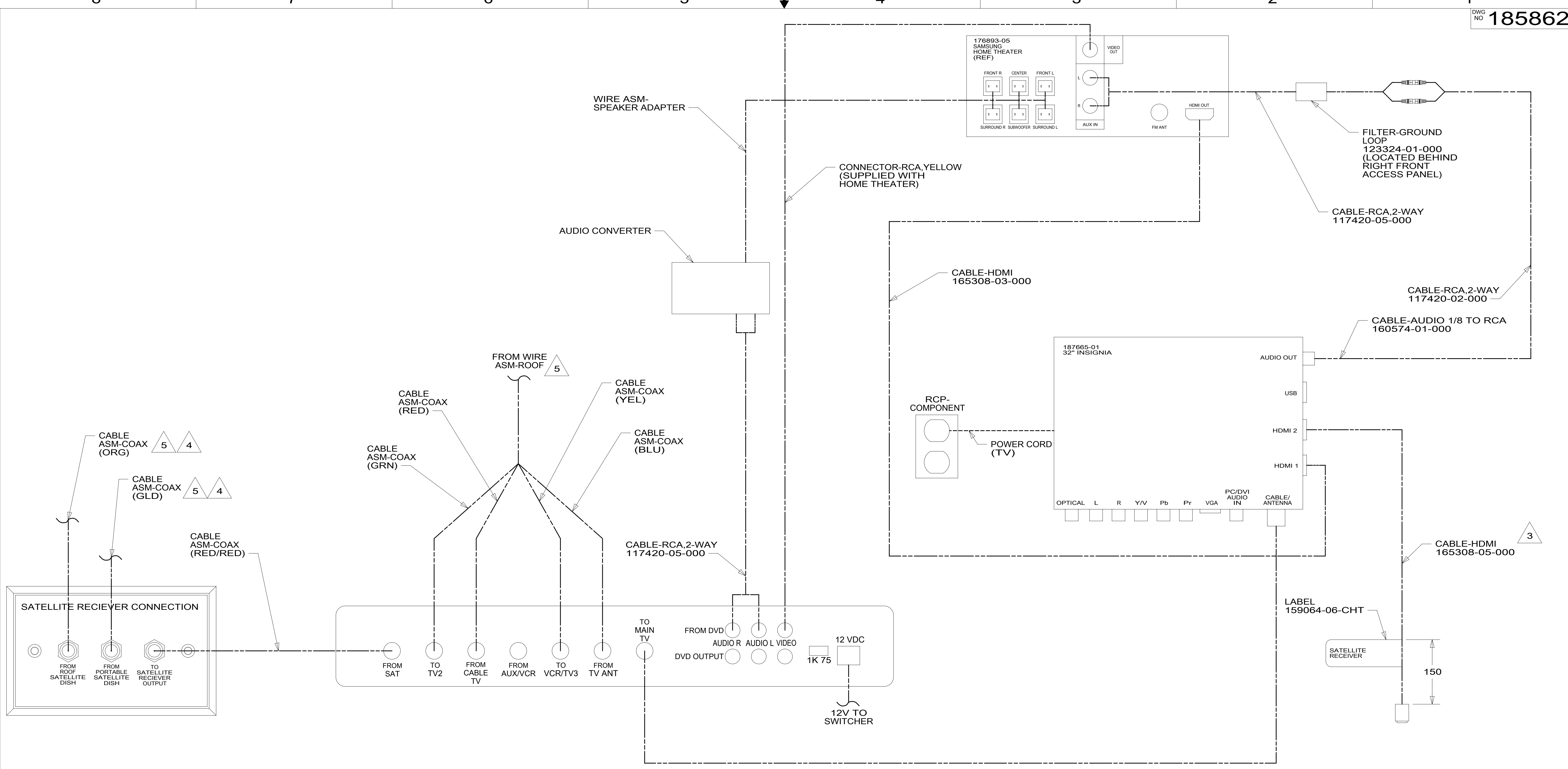
SHEET 5 PART NO **185862** REV

18-Nov-2014

FOR ELECTRICAL TORQUE SPECIFICATIONS SEE DWG NO. 128783-01-000

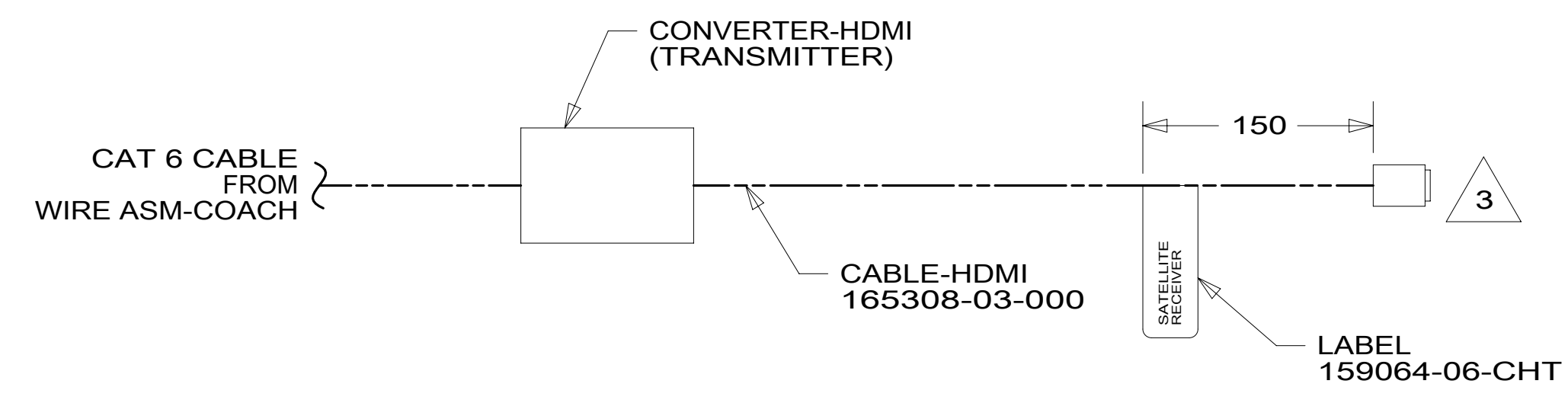
FOR ELECTRICAL CALLOUTS SEE DWG NO. 121339-01-000

* 185862 *



- 5 COAX IS FROM WIRE ASM-ROOF.
- 4 CONNECTS TO BACK SIDE OF PLATE.
- 3 COIL IN LEFT FRONT OVHD CABT.

2. ALL CONNECTIONS ARE SHOWN FROM BACKSIDE OF COMPONENTS.
 1. SEE WIRING INSTL-BODY, 12V FOR ADDITIONAL INFORMATION.
 NOTES:



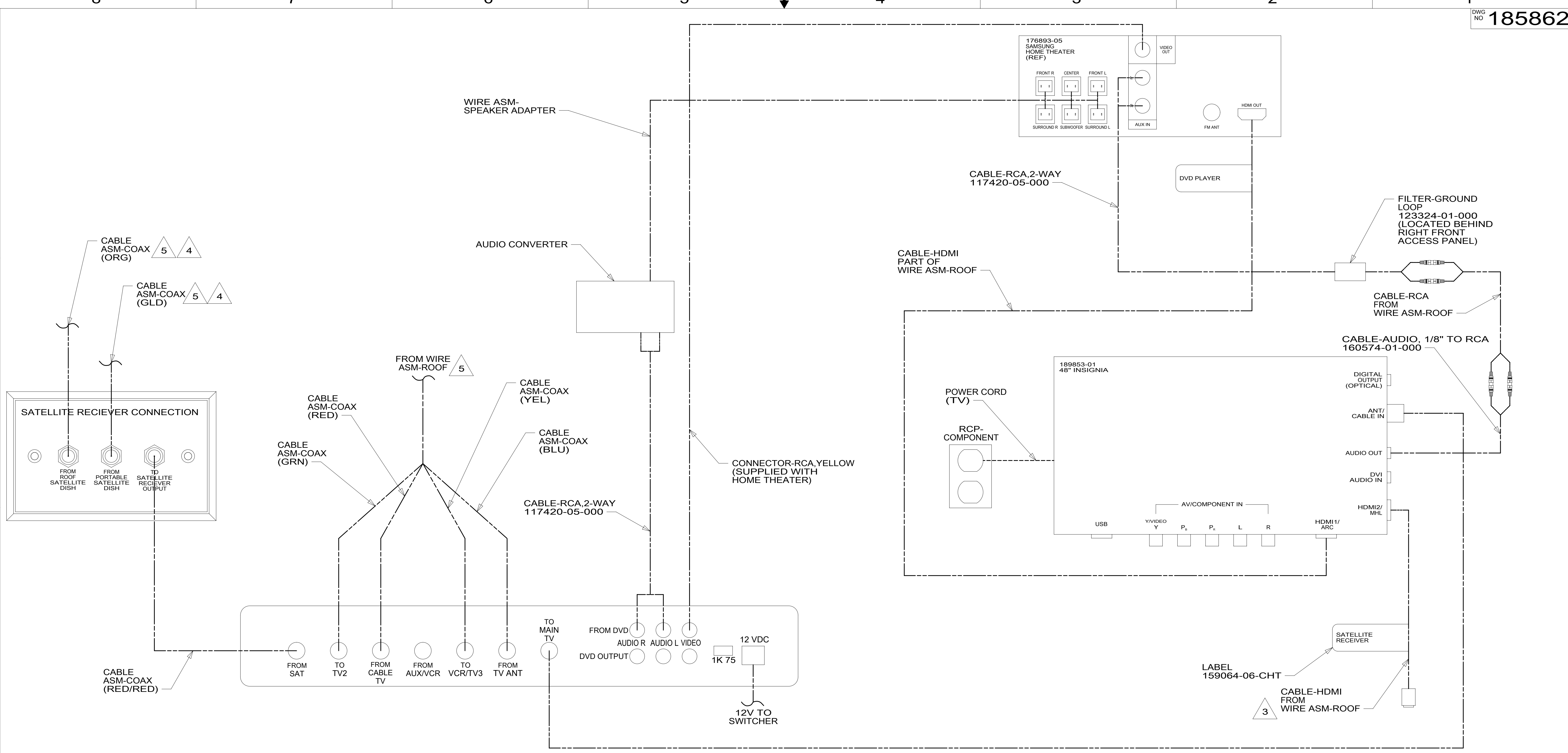
FOR ELECTRICAL TORQUE SPECIFICATIONS SEE DWG NO. 128783-01-000

FOR ELECTRICAL CALLOUTS SEE DWG NO. 121339-01-000

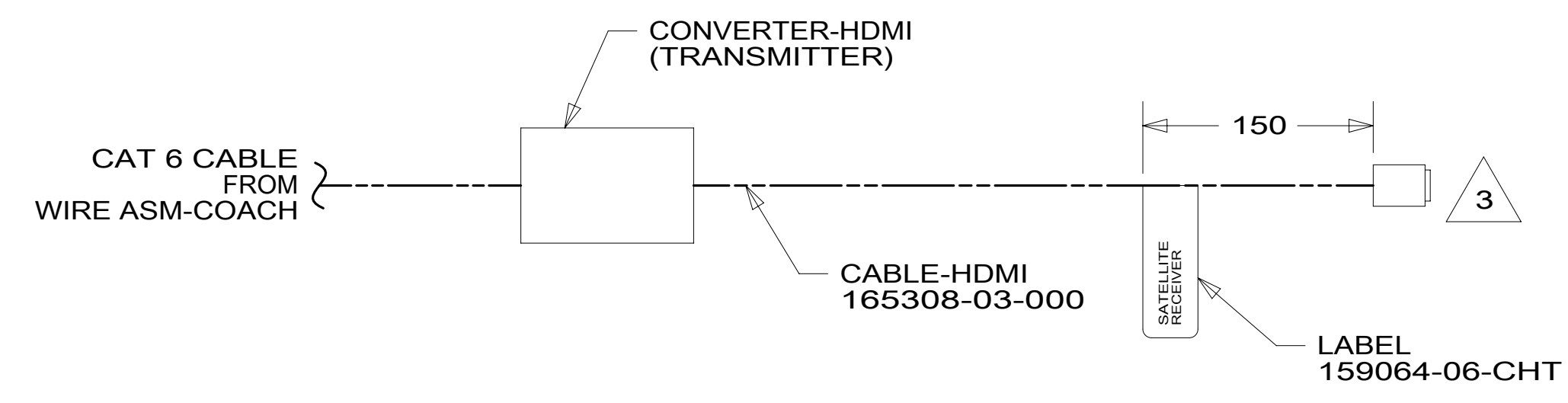
- 42K TV-32" COLOR, STEREO W/REMOTE
- 265 CODES/STANDARDS-CSA/CMVSS
- 1B1 CODES/STANDARDS USA

1B1	265	42K
FIRST USED		
14 D-SERIES		
DO NOT SCALE DRAWING		
TITLE: WIRING INSTL-TV/DVD		
SHEET 6	PART NO 185862	REV
18-Nov-2014		

* 185862 *



- NOTES:**
- 1. SEE WIRING INSTL-BODY, 12V FOR ADDITIONAL INFORMATION.
 - 2. ALL CONNECTIONS ARE SHOWN FROM BACKSIDE OF COMPONENTS.
- COAX IS FROM WIRE ASM-ROOF.**
- 4 CONNECTS TO BACK SIDE OF PLATE.
 - 3 COIL IN LEFT FRONT OVHD CABT.



- 68V TV-46" COLOR, STEREO W/REMOTE
- 68M TV-48" COLOR, EXTENDABLE
- 265 CODES/STANDARDS-CSA/CMVSS
- 1B1 CODES/STANDARDS USA

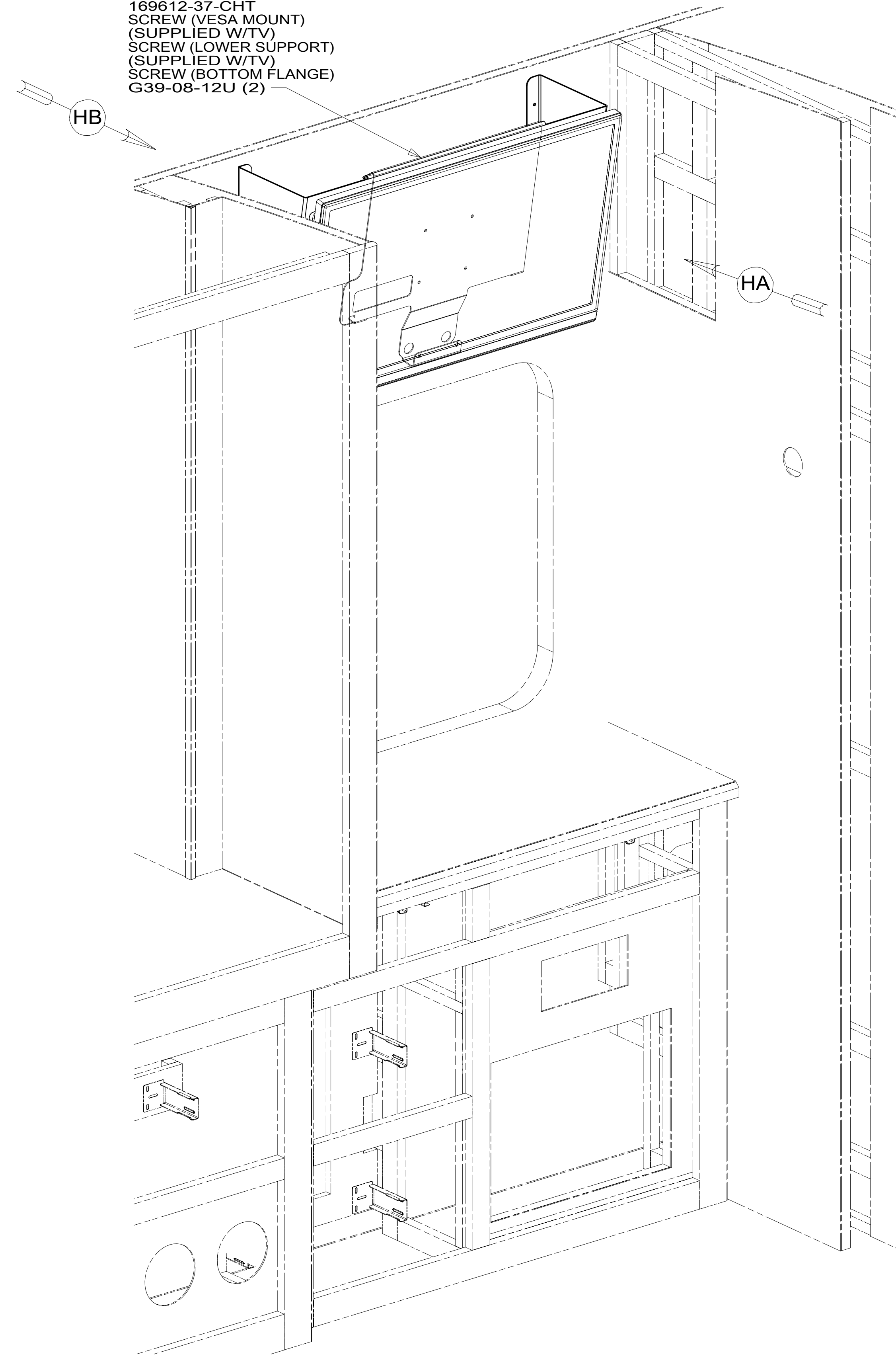
1B1	265	68M	OR	68V
FIRST USED				
14 D-SERIES				
DO NOT SCALE DRAWING				
TITLE: WIRING INSTL-TV/DVD				
SHEET 7	PART NO	185862		REV
18-Nov-2014				

FOR ELECTRICAL TORQUE SPECIFICATIONS SEE DWG NO. 128783-01-000

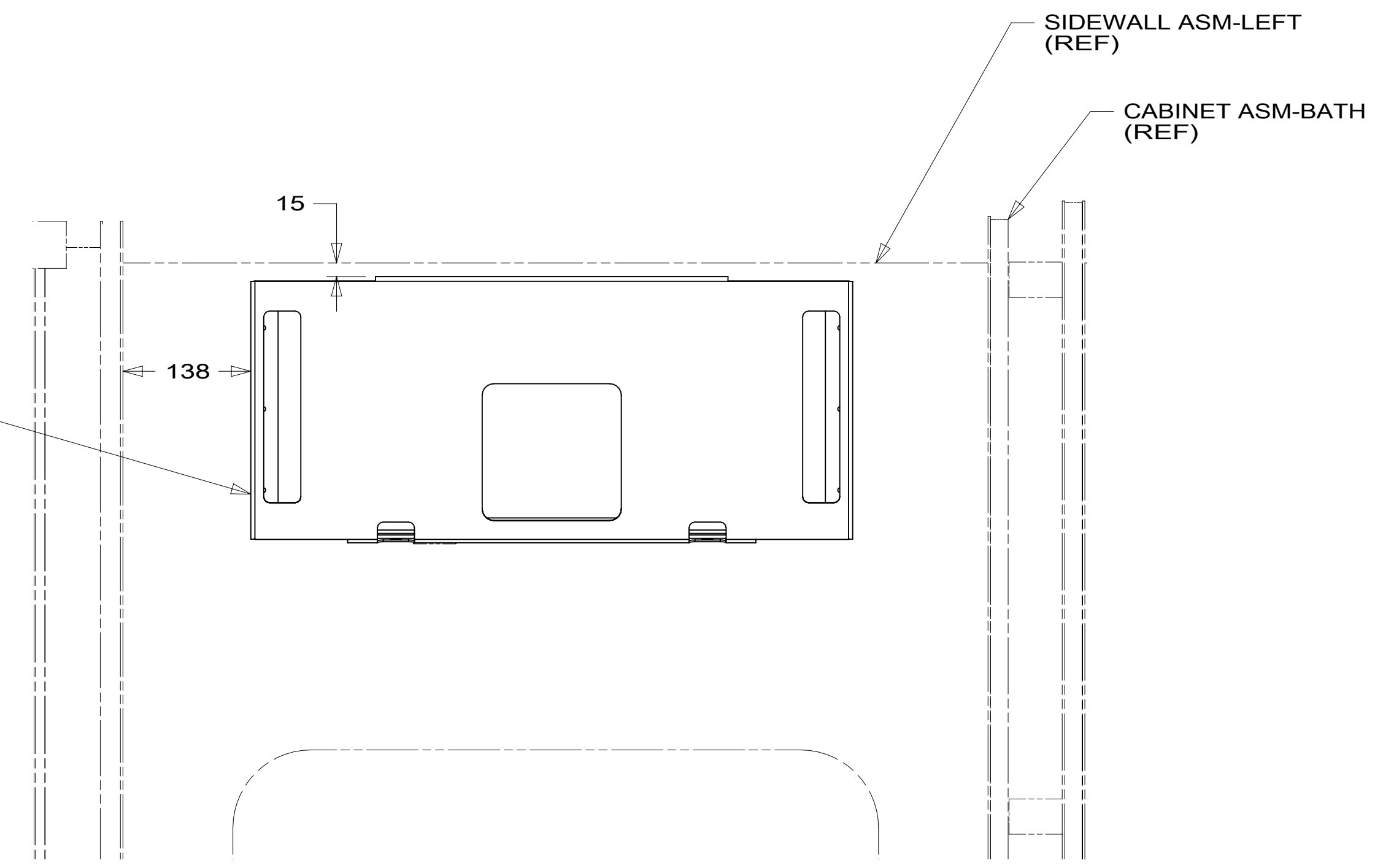
FOR ELECTRICAL CALLOUTS SEE DWG NO. 121339-01-000

* 185862 * A

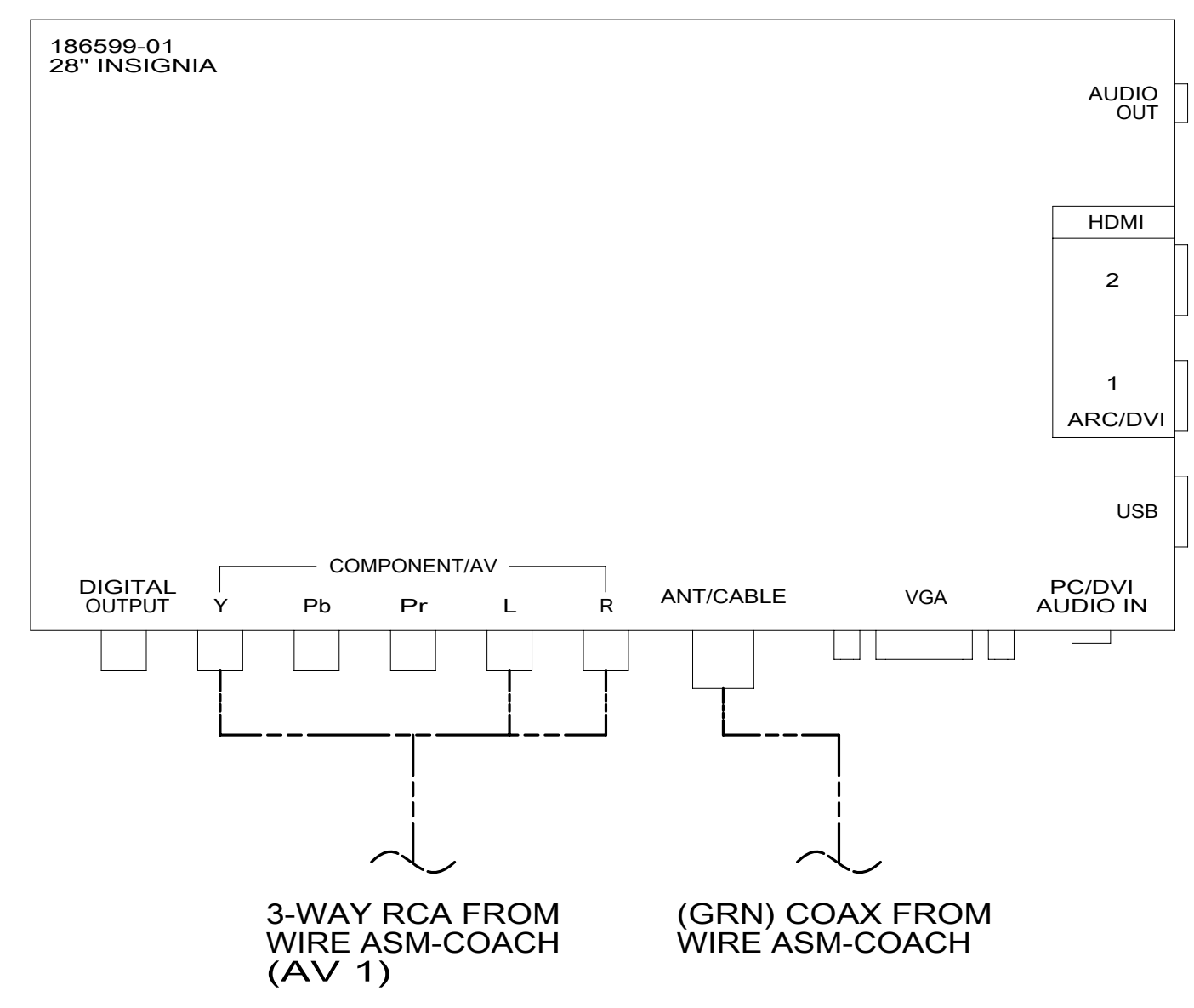
TV-28", FLAT PANEL ELED
 186599-01-000
 PLATE-MOUNTING, TV
 169612-37-CHT
 SCREW (VESA MOUNT)
 (SUPPLIED W/TV)
 SCREW (LOWER SUPPORT)
 (SUPPLIED W/TV)
 SCREW (BOTTOM FLANGE)
 G39-08-12U (2)



SUPPORT ASM-MOUNTING, TV
 166615-04-CHT
 SCREW
 G39-08-12U (6)
 GROMMET
 114208-05-000



VIEW HA
 (TV NOT SHOWN)



VIEW HB

- 61M TV(REAR)-28" COLOR STEREO
- 265 CODES/STANDARDS-CSA/CMVSS
- 1B1 CODES/STANDARDS USA

1B1 265 61M

14 D-SERIES

DO NOT SCALE DRAWING

TITLE: **WIRING INSTL-TV/DVD**

SHEET 8 PART NO. **185862** REV

FOR ELECTRICAL TORQUE SPECIFICATIONS SEE DWG NO. 128783-01-000

FOR ELECTRICAL CALLOUTS SEE DWG NO. 121339-01-000

185862

PLATE-MOUNTING,TV
169612-37-CHT
SCREW (VESA MOUNT)
(SUPPLIED W/TV)
SCREW (LOWER SUPPORT)
(SUPPLIED W/TV)
SCREW (BOTTOM FLANGE)
G39-08-12U(2)

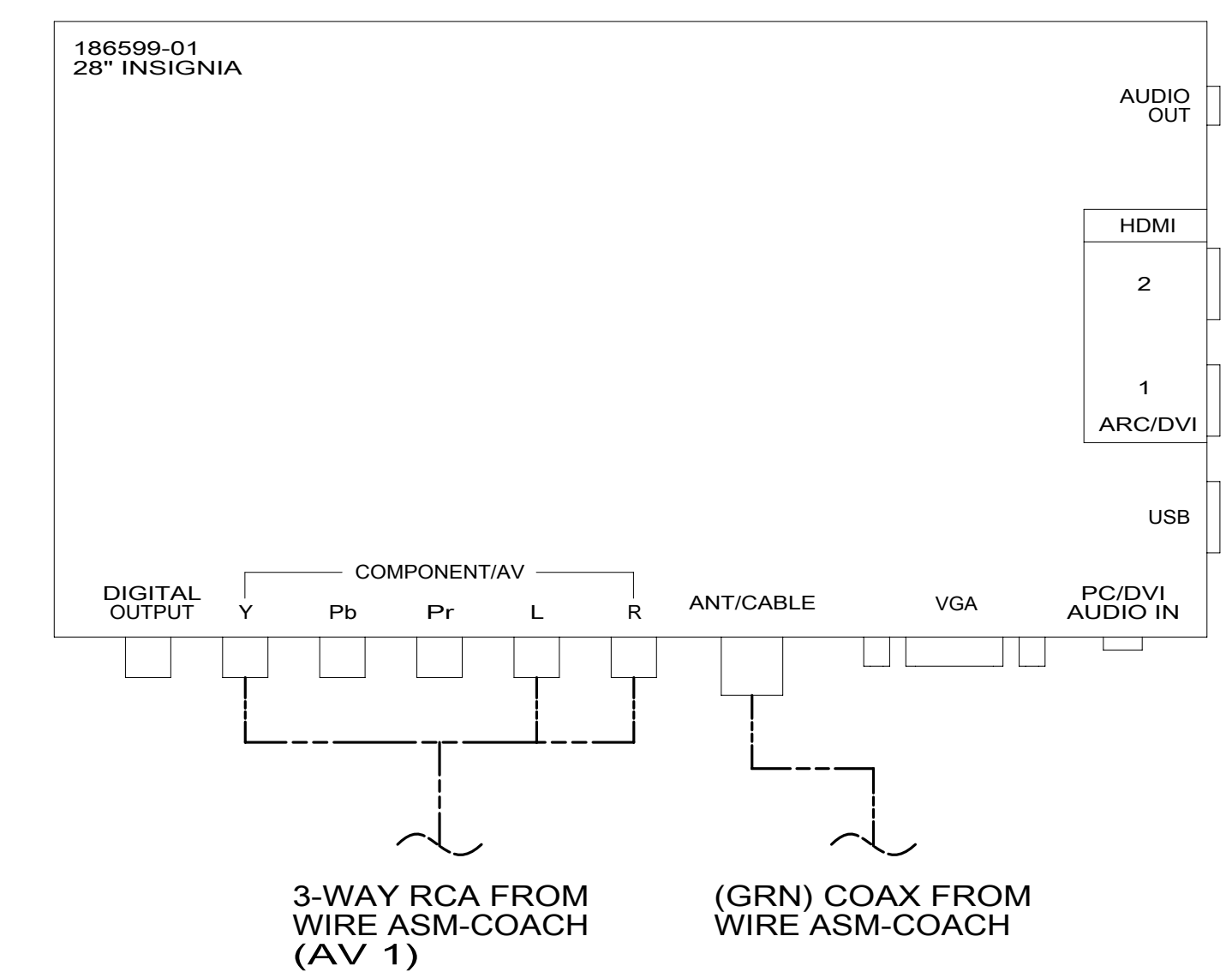
SUPPORT ASM-MOUNTING,TV
166615-04-CHT
SCREW
G39-08-12U (6)

TV-28" FLAT PANEL ELED
186599-01-000

RCP-BDRM TV
(REF)

RCP-BDRM TV
(REF)

VIEW JA
(TV NOT SHOWN)



VIEW JB

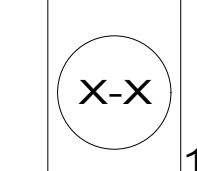
- 61M TV(REAR)-28" COLOR STEREO
- 265 CODES/STANDARDS-CSA/CMVSS
- 1B1 CODES/STANDARDS USA

1B1 265 61M

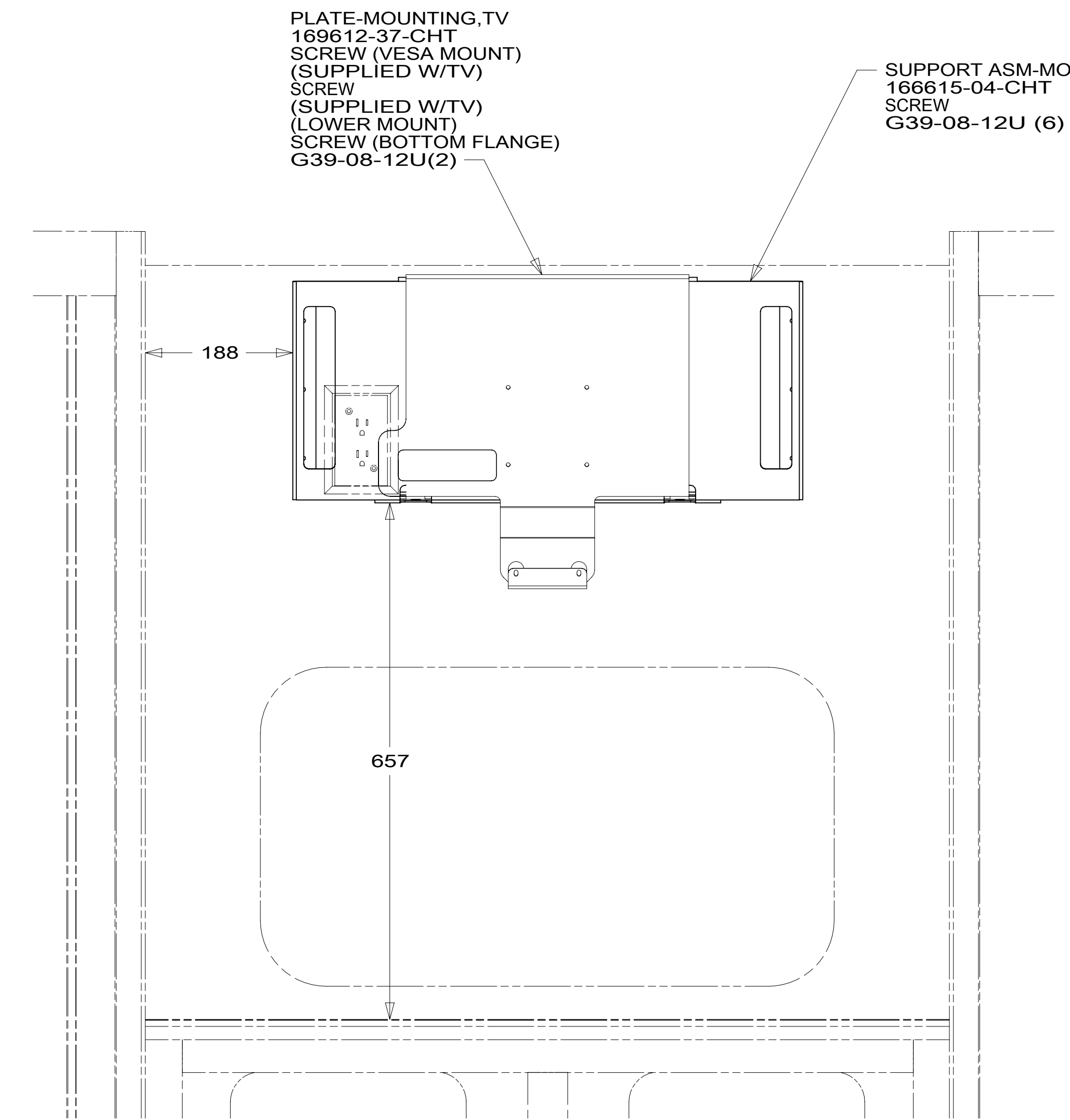
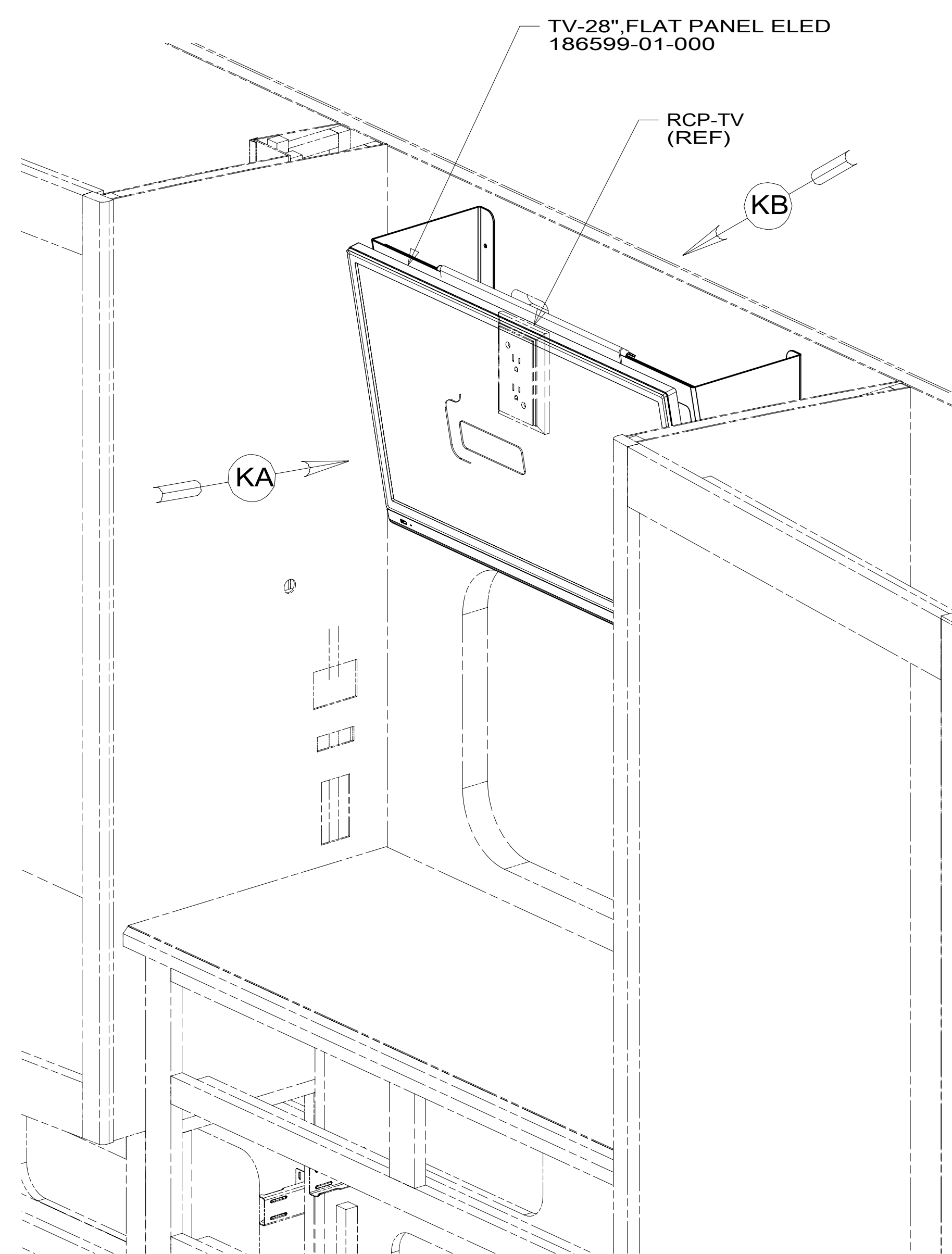
FIRST USED	
14 D-SERIES	
DO NOT SCALE DRAWING	
TITLE: WIRING INSTL-TV/DVD	
SHEET 9	PART NO 185862 REV

FOR ELECTRICAL TORQUE SPECIFICATIONS SEE DWG NO. 128783-01-000

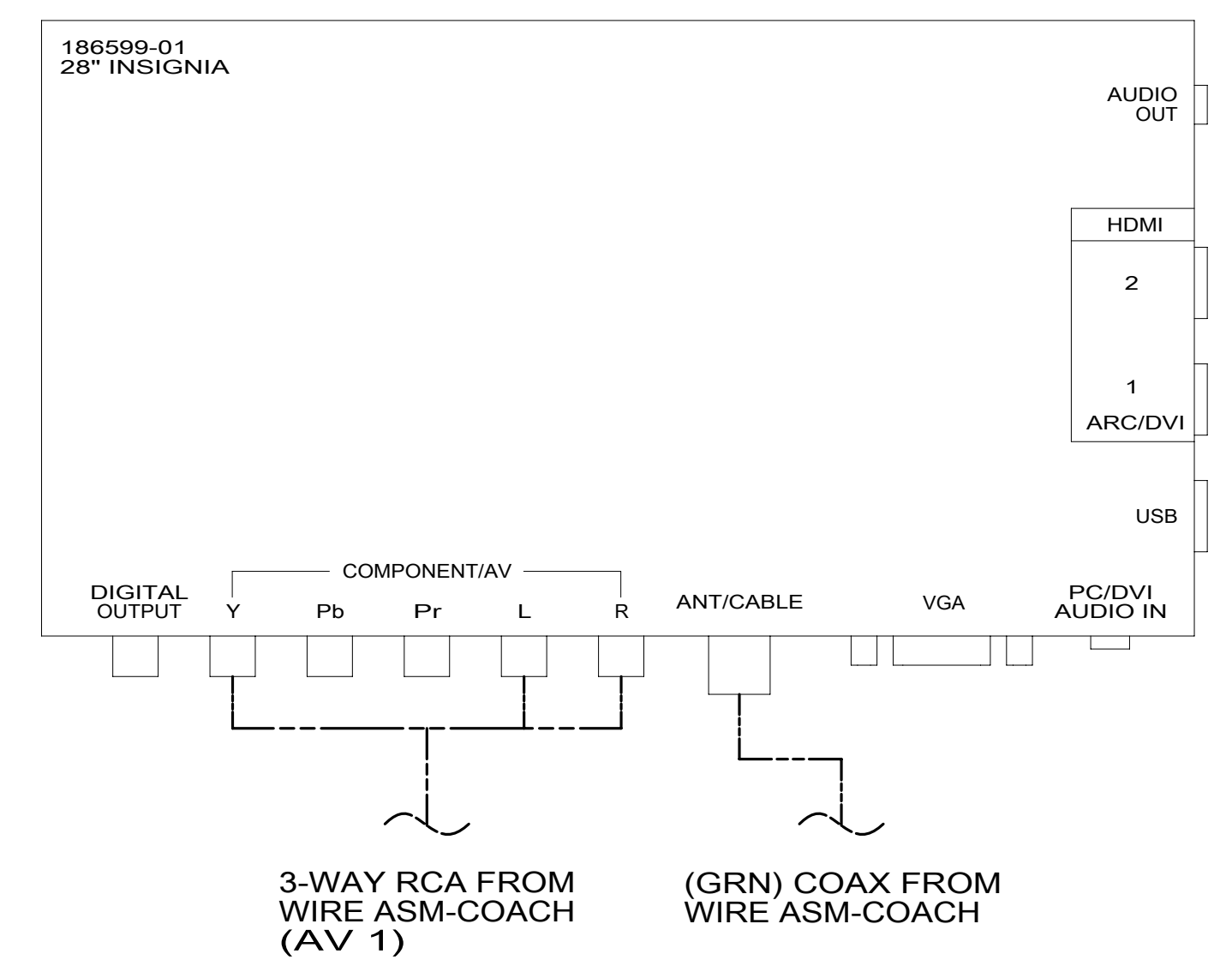
FOR ELECTRICAL CALLOUTS SEE DWG NO. 121339-01-000



185862



VIEW KA



VIEW KB

1 CENTER OVER WINDOW CUTOUT.
NOTES:

FOR ELECTRICAL TORQUE SPECIFICATIONS SEE DWG NO. 128783-01-000

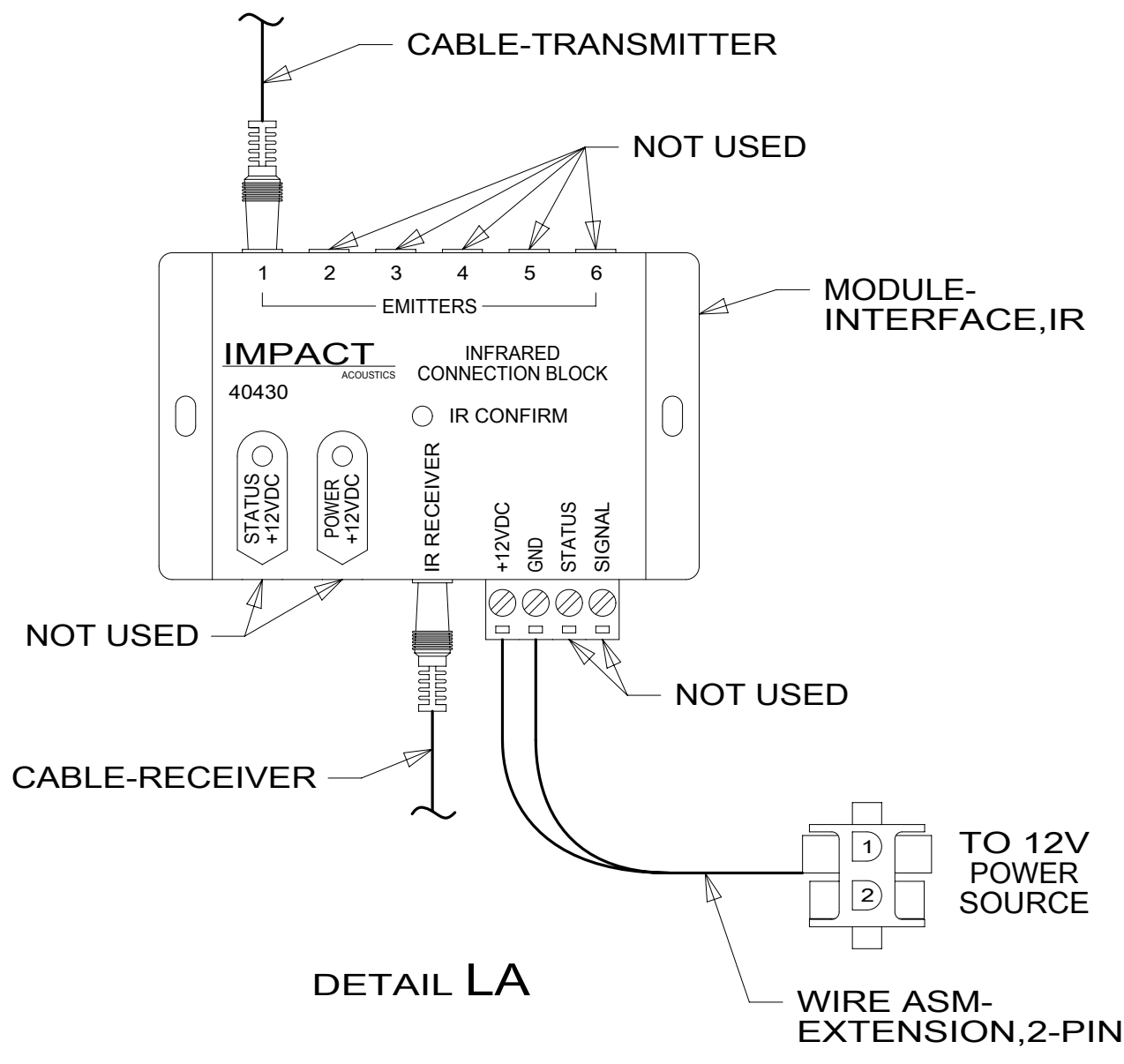
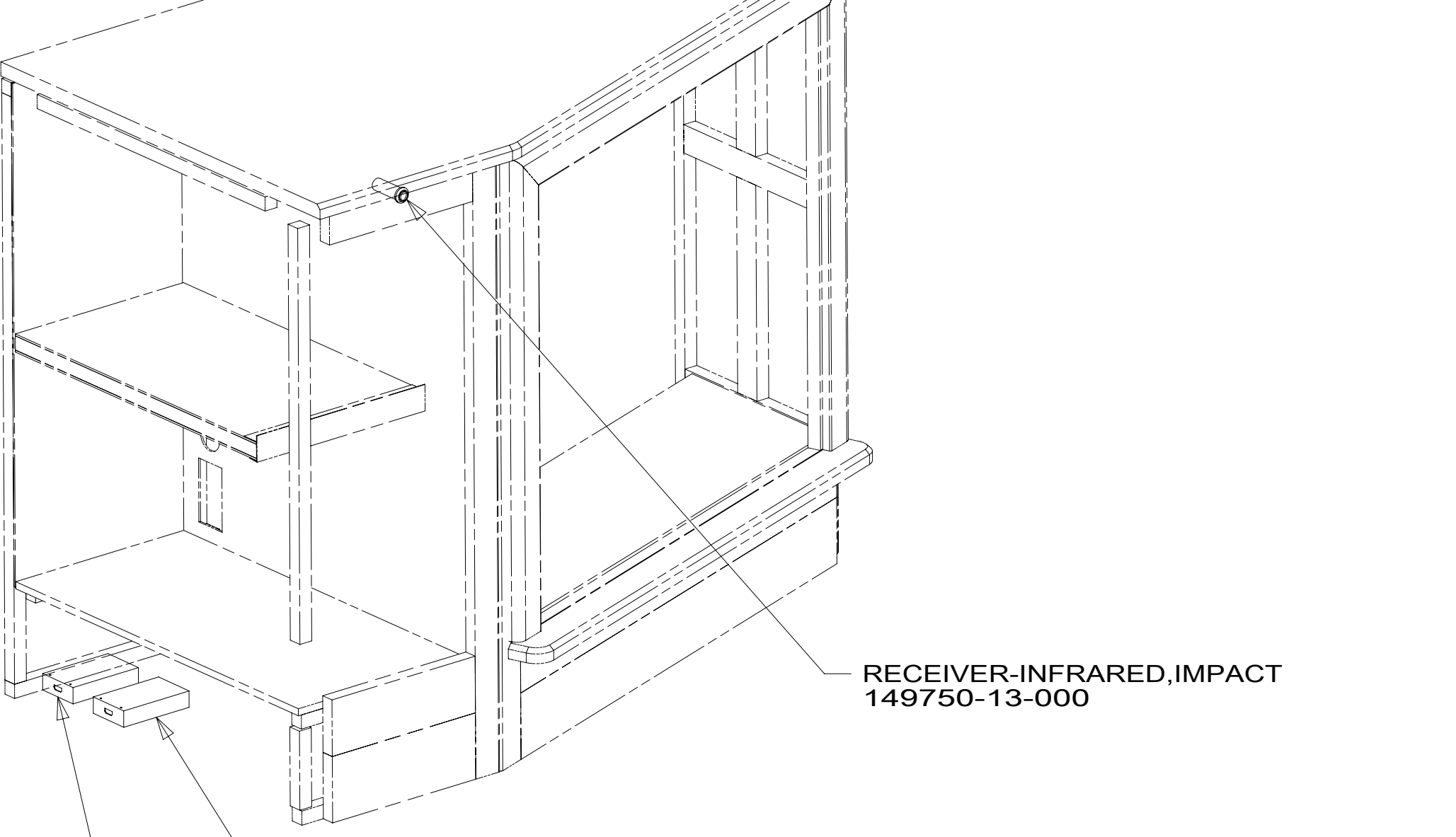
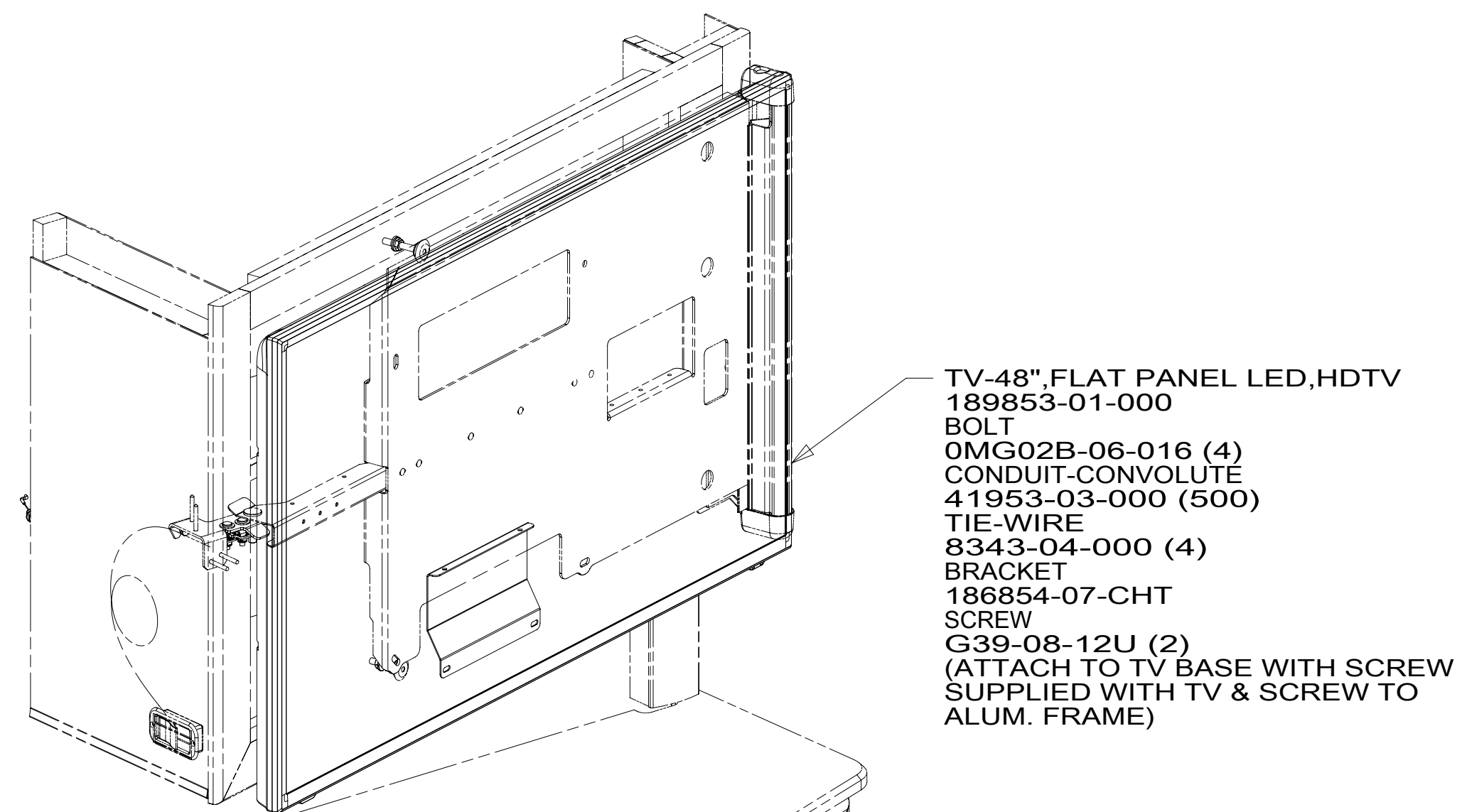
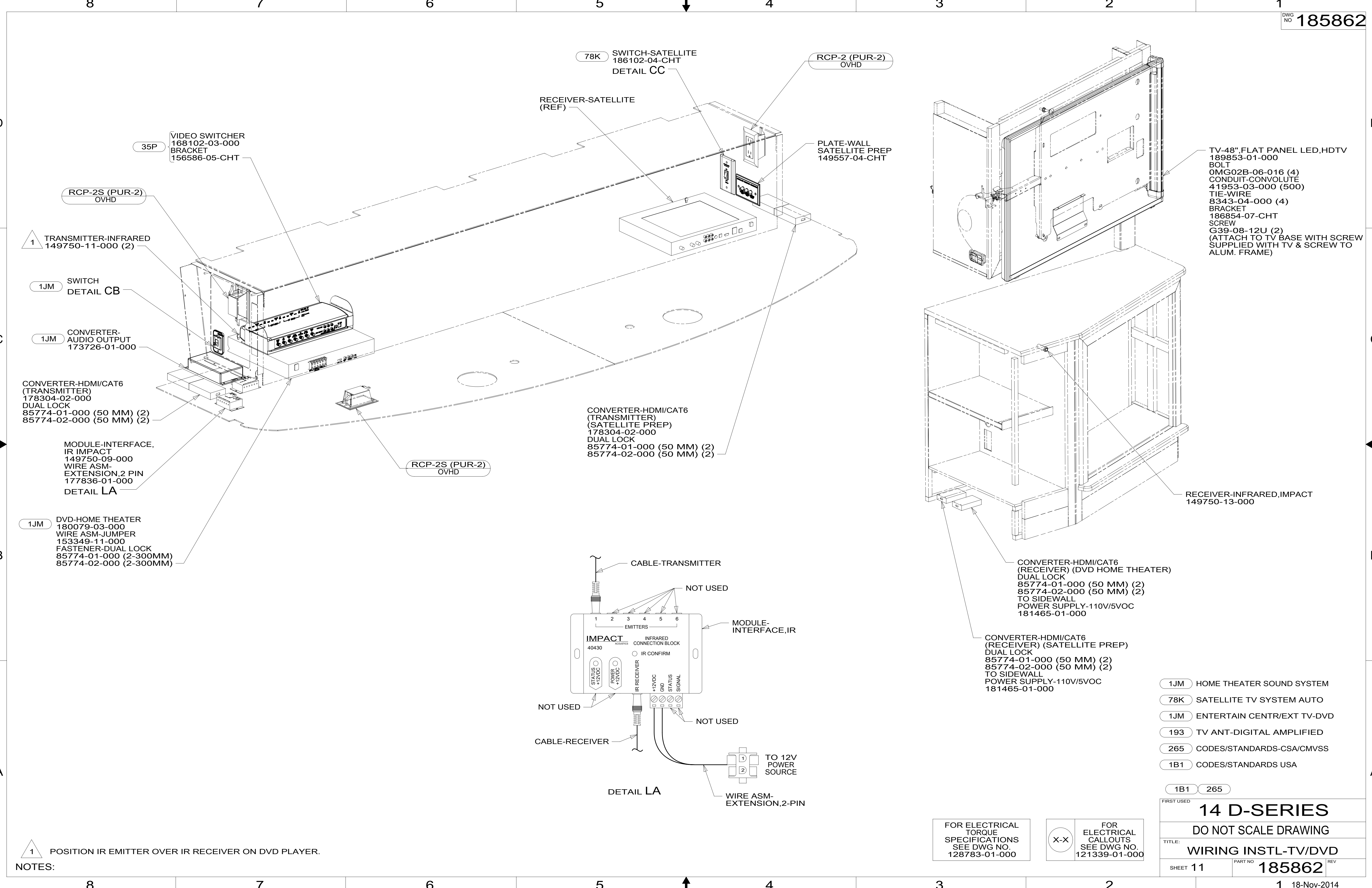
X-X FOR ELECTRICAL CALLOUTS SEE DWG NO. 121339-01-000

- 61M TV(REAR)-28" COLOR STEREO
- 265 CODES/STANDARDS-CSA/CMVSS
- 1B1 CODES/STANDARDS USA

1B1 265 61M

FIRST USED	
14 D-SERIES	
DO NOT SCALE DRAWING	
TITLE: WIRING INSTL-TV/DVD	
SHEET 10	PART NO 185862 REV

185862



NOTES:
 1 POSITION IR EMITTER OVER IR RECEIVER ON DVD PLAYER.

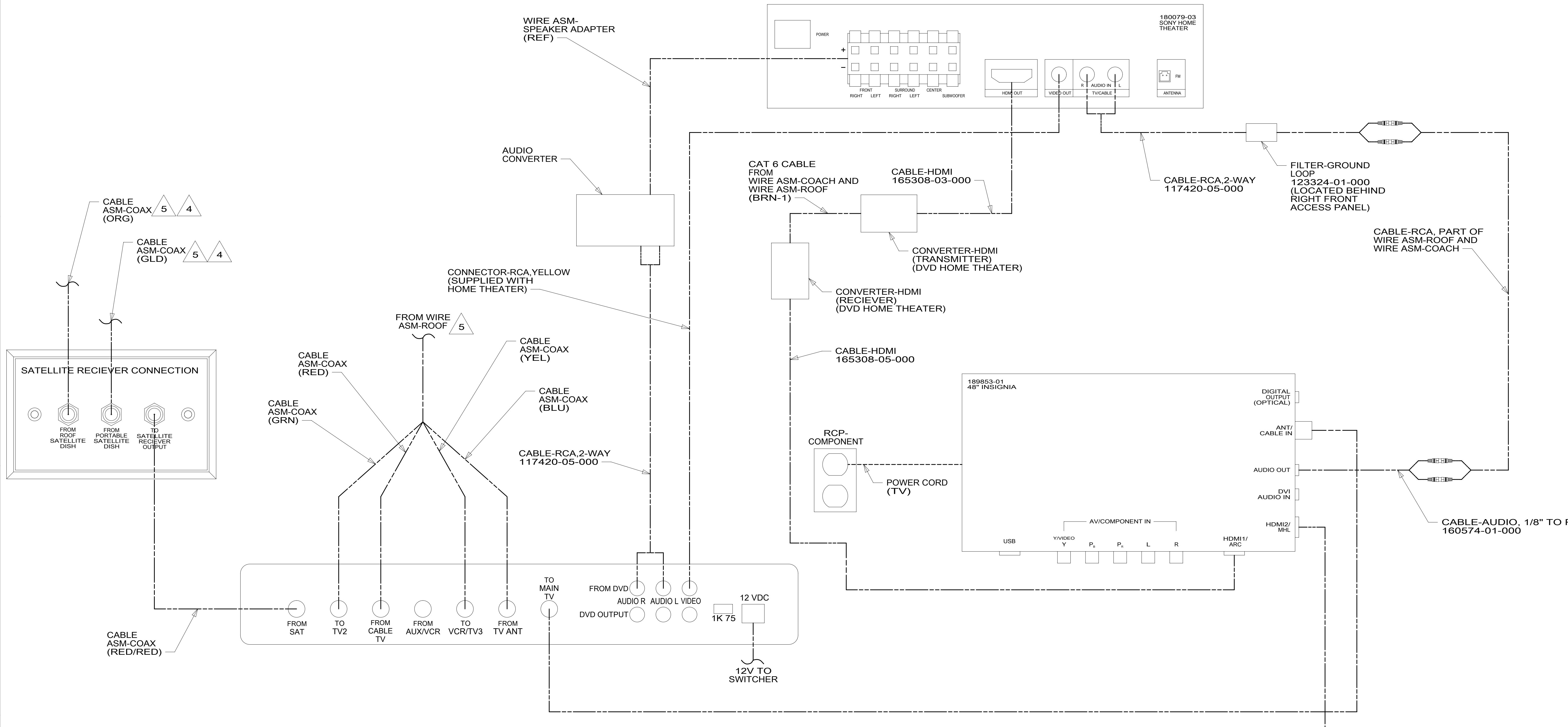
FOR ELECTRICAL TORQUE SPECIFICATIONS SEE DWG NO. 128783-01-000

FOR ELECTRICAL CALLOUTS SEE DWG NO. 121339-01-000

- 1JM HOME THEATER SOUND SYSTEM
- 78K SATELLITE TV SYSTEM AUTO
- 1JM ENTERTAIN CENTR/EXT TV-DVD
- 193 TV ANT-DIGITAL AMPLIFIED
- 265 CODES/STANDARDS-CSA/CMVSS
- 1B1 CODES/STANDARDS USA

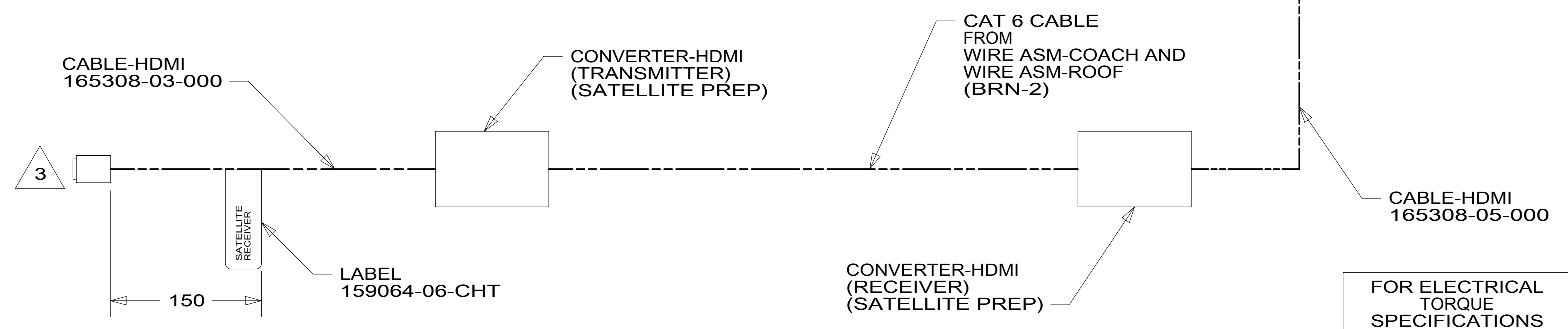
1B1	265
FIRST USED	
14 D-SERIES	
DO NOT SCALE DRAWING	
TITLE: WIRING INSTL-TV/DVD	
SHEET 11	PART NO 185862 REV
18-Nov-2014	

* 185862 *



- 5 COAX IS FROM WIRE ASM-ROOF.
- 4 CONNECTS TO BACK SIDE OF PLATE.
- 3 COIL IN LEFT FRONT OVHD CABT.

2. ALL CONNECTIONS ARE SHOWN FROM BACKSIDE OF COMPONENTS.
 1. SEE WIRING INSTL-BODY, 12V FOR ADDITIONAL INFORMATION.
 NOTES:



- 68K TV-48" COLOR, STEREO W/REMOTE
- 265 CODES/STANDARDS-CSA/CMVSS
- 1B1 CODES/STANDARDS USA

1B1 265 68K

FIRST USED

14 D-SERIES

DO NOT SCALE DRAWING

TITLE: **WIRING INSTL-TV/DVD**

SHEET 12 PART NO **185862** REV

18-Nov-2014

FOR ELECTRICAL TORQUE SPECIFICATIONS SEE DWG NO. 128783-01-000

FOR ELECTRICAL CALLOUTS SEE DWG NO. 121339-01-000

* 185862 *

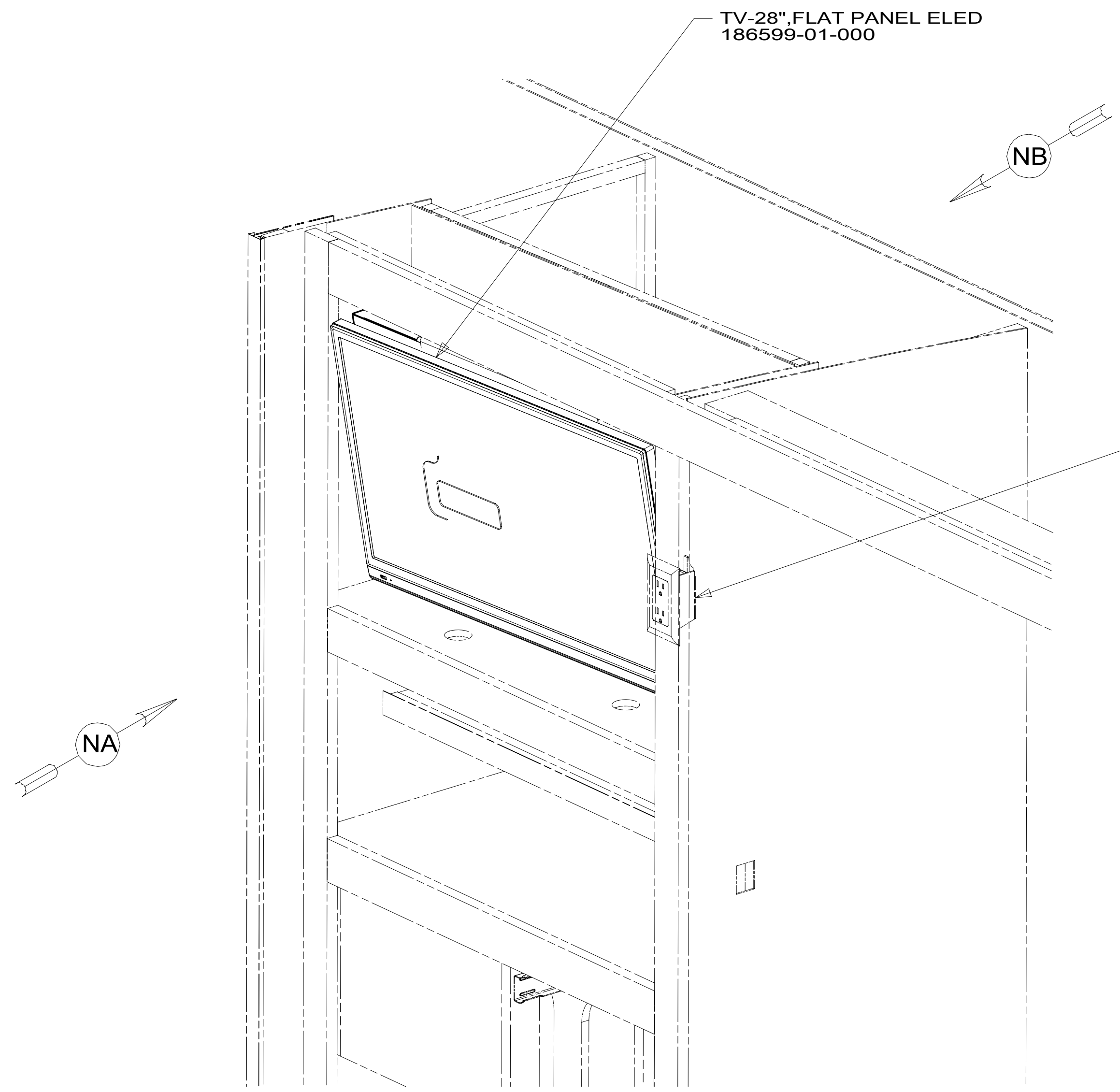
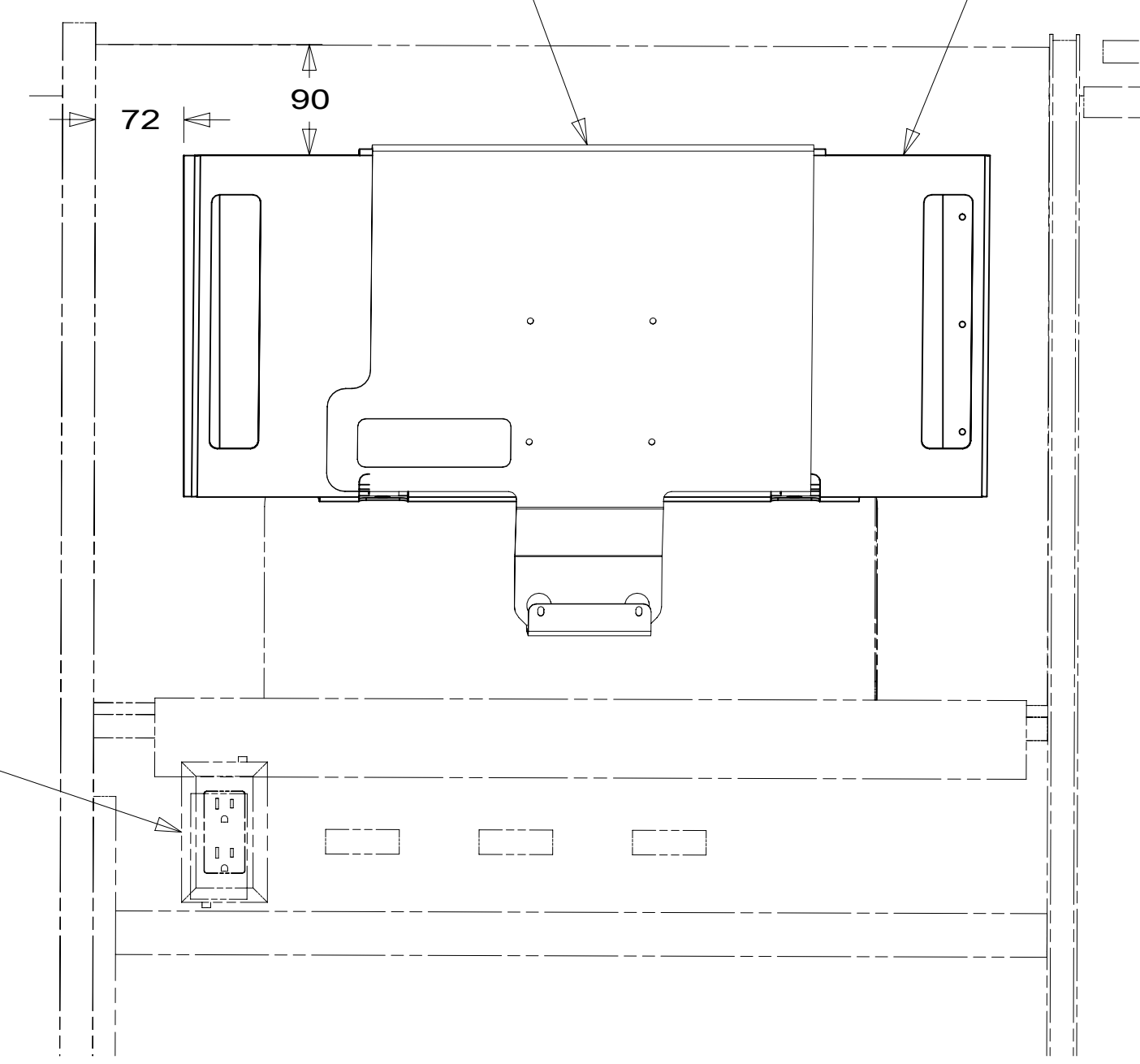
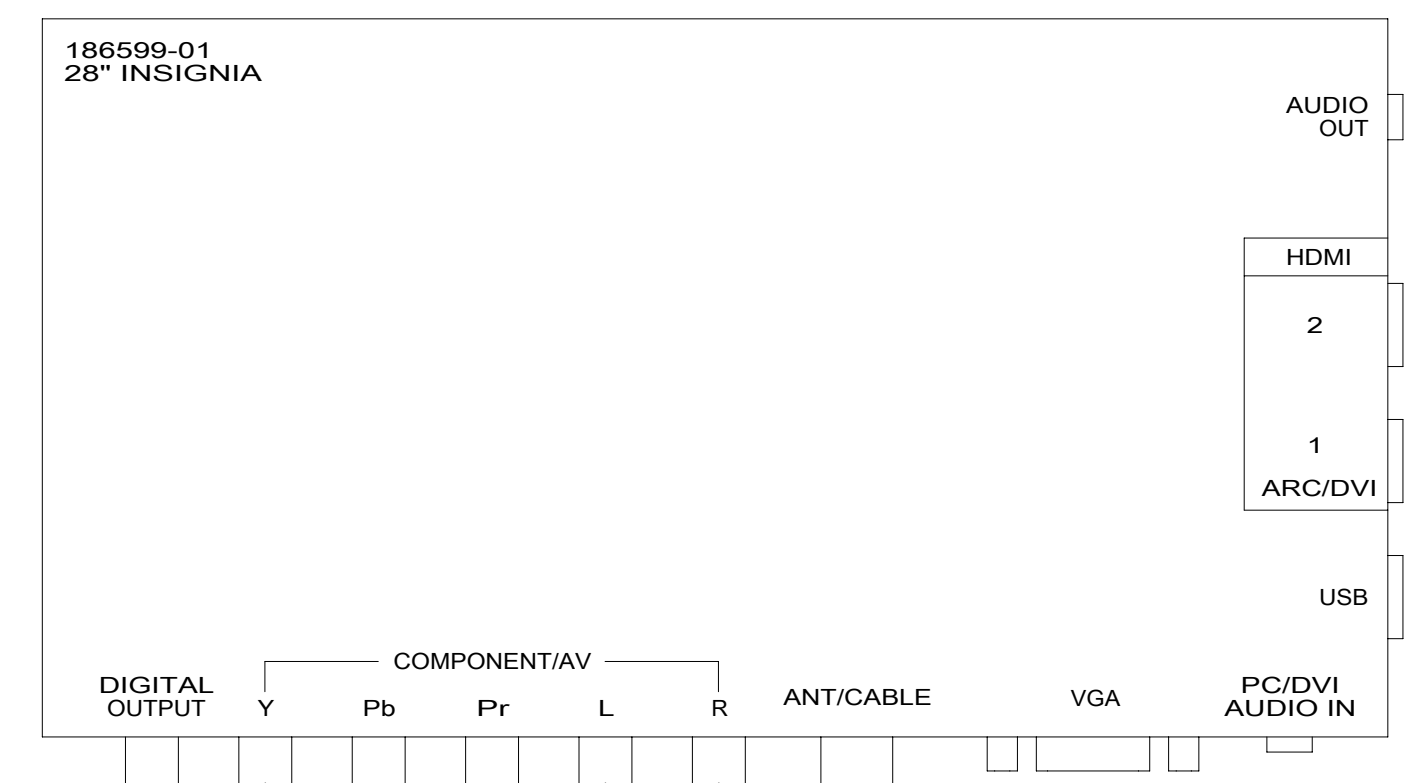


PLATE-MOUNTING,TV
169612-37-CHT
SCREW (VESA MOUNT)
(SUPPLIED W/TV)
SCREW (LOWER SUPPORT)
(SUPPLIED W/TV)
SCREW (BOTTOM FLANGE)
000G39-08-12U (2)

SUPPORT-MOUNTING,TV
166615-04-CHT
SCREW
G39-08-12U (6)



VIEW NA
(TV NOT SHOWN)



3-WAY RCA FROM
WIRE ASM-COACH
(AV 1)

(GRN) COAX FROM
WIRE ASM-COACH

VIEW NB

- 61M TV(REAR)-28" COLOR STEREO
- 265 CODES/STANDARDS-CSA/CMVSS
- 1B1 CODES/STANDARDS USA

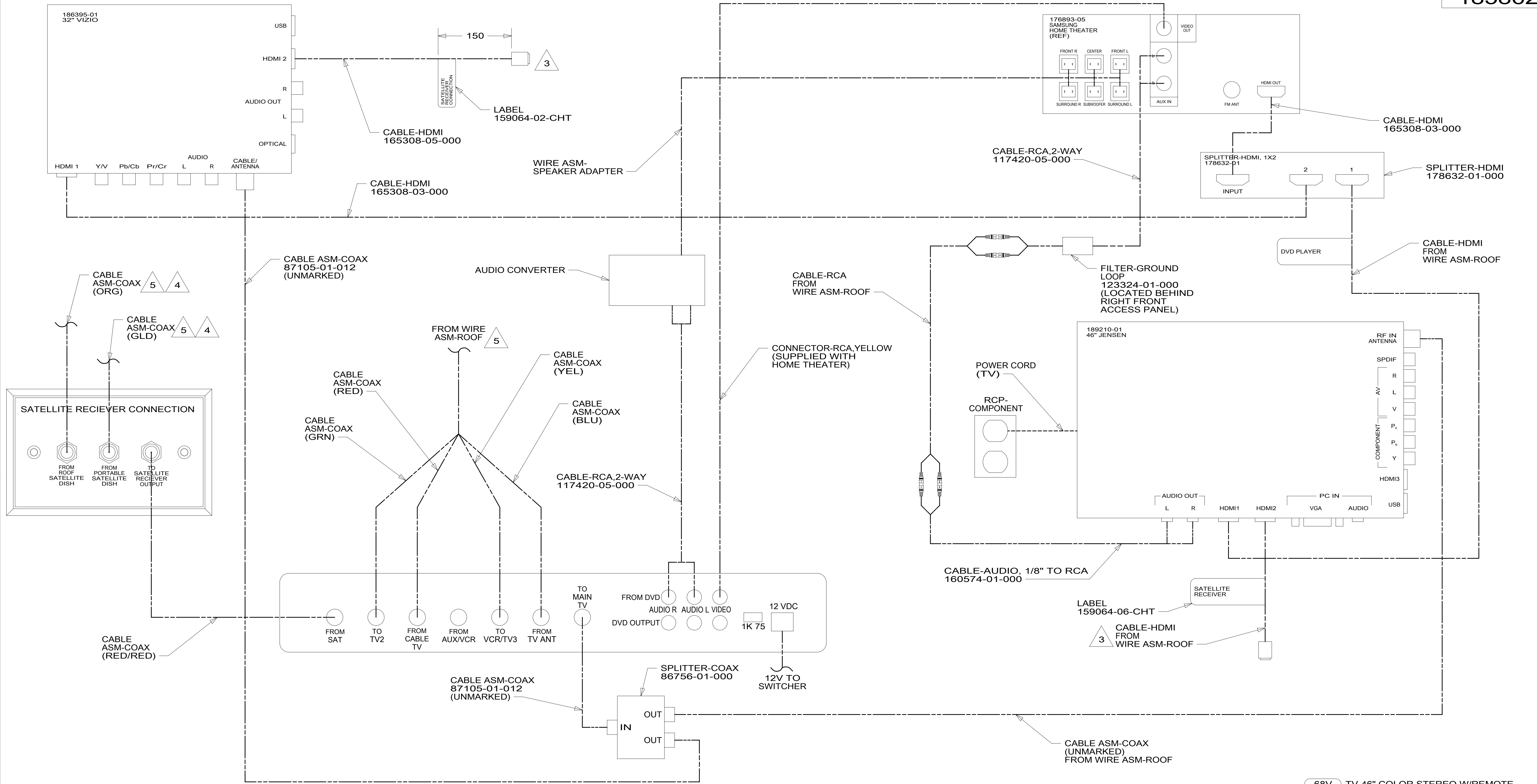
1B1 265 61M

FIRST USED	
14 D-SERIES	
DO NOT SCALE DRAWING	
TITLE: WIRING INSTL-TV/DVD	
SHEET 13	PART NO 185862 REV

FOR ELECTRICAL
TORQUE
SPECIFICATIONS
SEE DWG NO.
128783-01-000

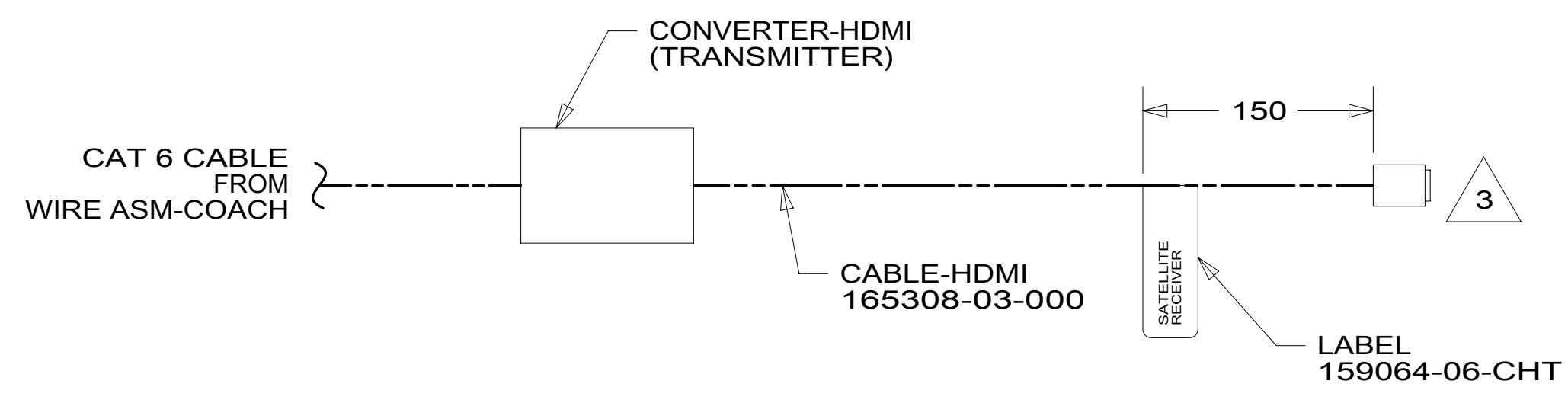
X-X
FOR
ELECTRICAL
CALLOUTS
SEE DWG NO.
121339-01-000

185862



- 5 COAX IS FROM WIRE ASM-ROOF.
- 4 CONNECTS TO BACK SIDE OF PLATE.
- 3 COIL IN LEFT FRONT OVHD CABT.

2. ALL CONNECTIONS ARE SHOWN FROM BACKSIDE OF COMPONENTS.
 1. SEE WIRING INSTL-BODY, 12V FOR ADDITIONAL INFORMATION.
 NOTES:



FOR ELECTRICAL TORQUE SPECIFICATIONS SEE DWG NO. 128783-01-000

FOR ELECTRICAL CALLOUTS SEE DWG NO. 121339-01-000

- 68V TV-46" COLOR, STEREO W/REMOTE
- 42K TV-32" COLOR, STEREO W/REMOTE
- 265 CODES/STANDARDS-CSA/CMVSS
- 1B1 CODES/STANDARDS USA

1B1 265 42K OR 68V

FIRST USED

14 D-SERIES

DO NOT SCALE DRAWING

TITLE: **WIRING INSTL-TV/DVD**

SHEET 14 PART NO **185862** REV

18-Nov-2014

* 185862 *