



DANGER

Danger of electrical shock, burns or death. Always remove all power sources before attempting any repair, service or diagnostic work. Power can be present from shore power, generator, inverter or battery. All power sources must be disabled and secured before performing any service.

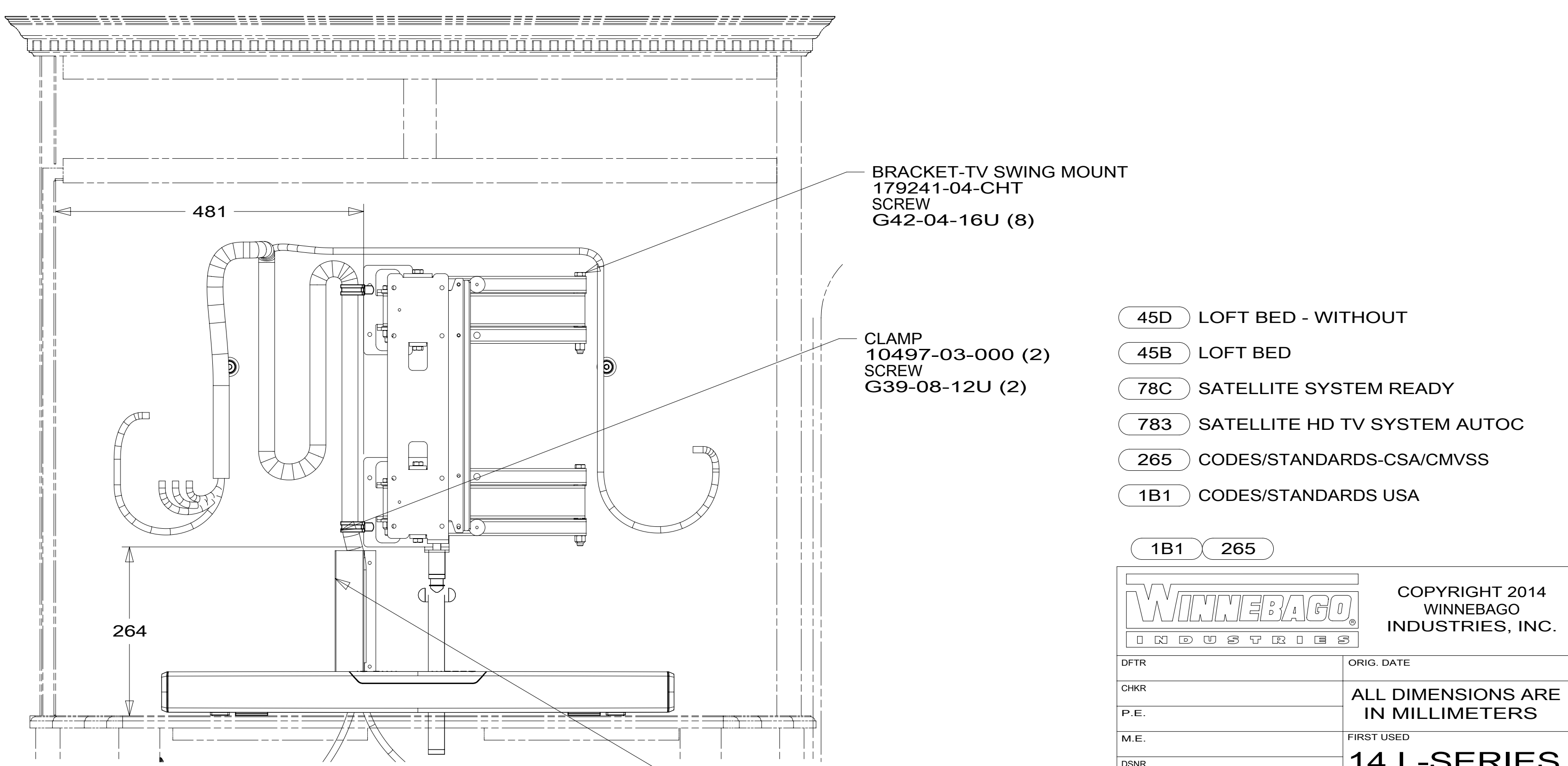
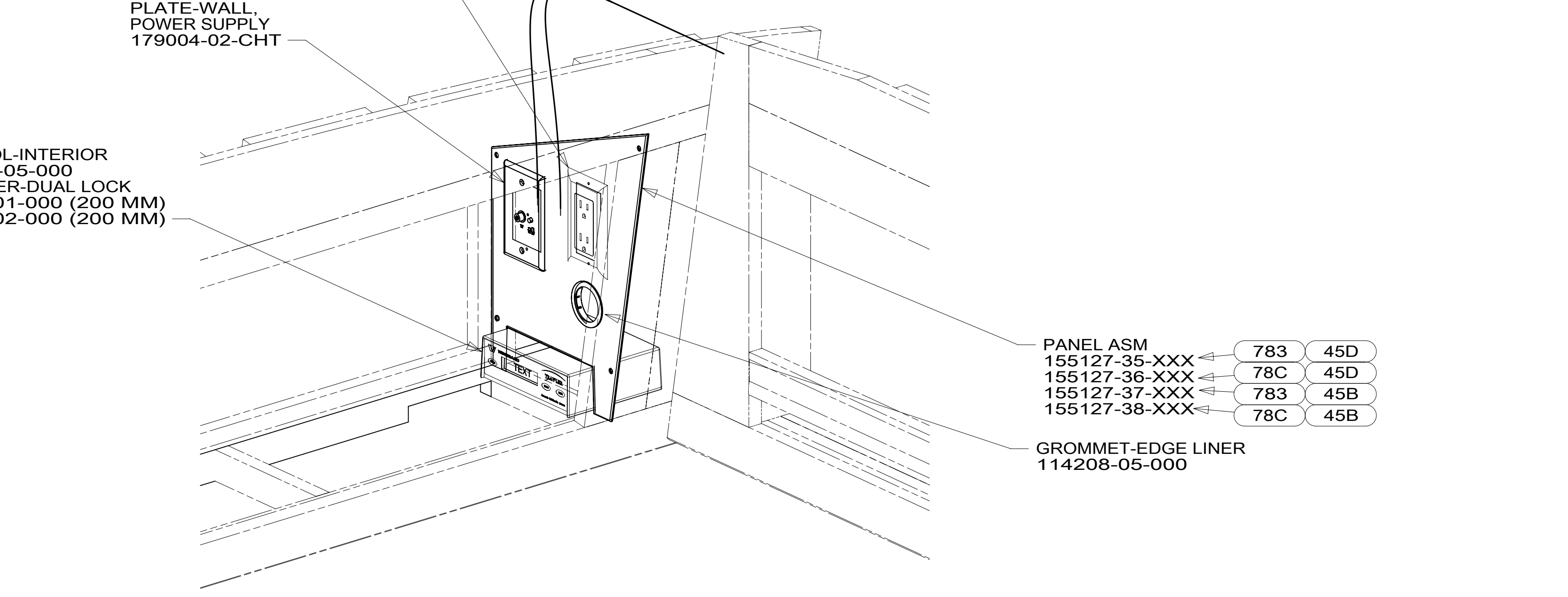
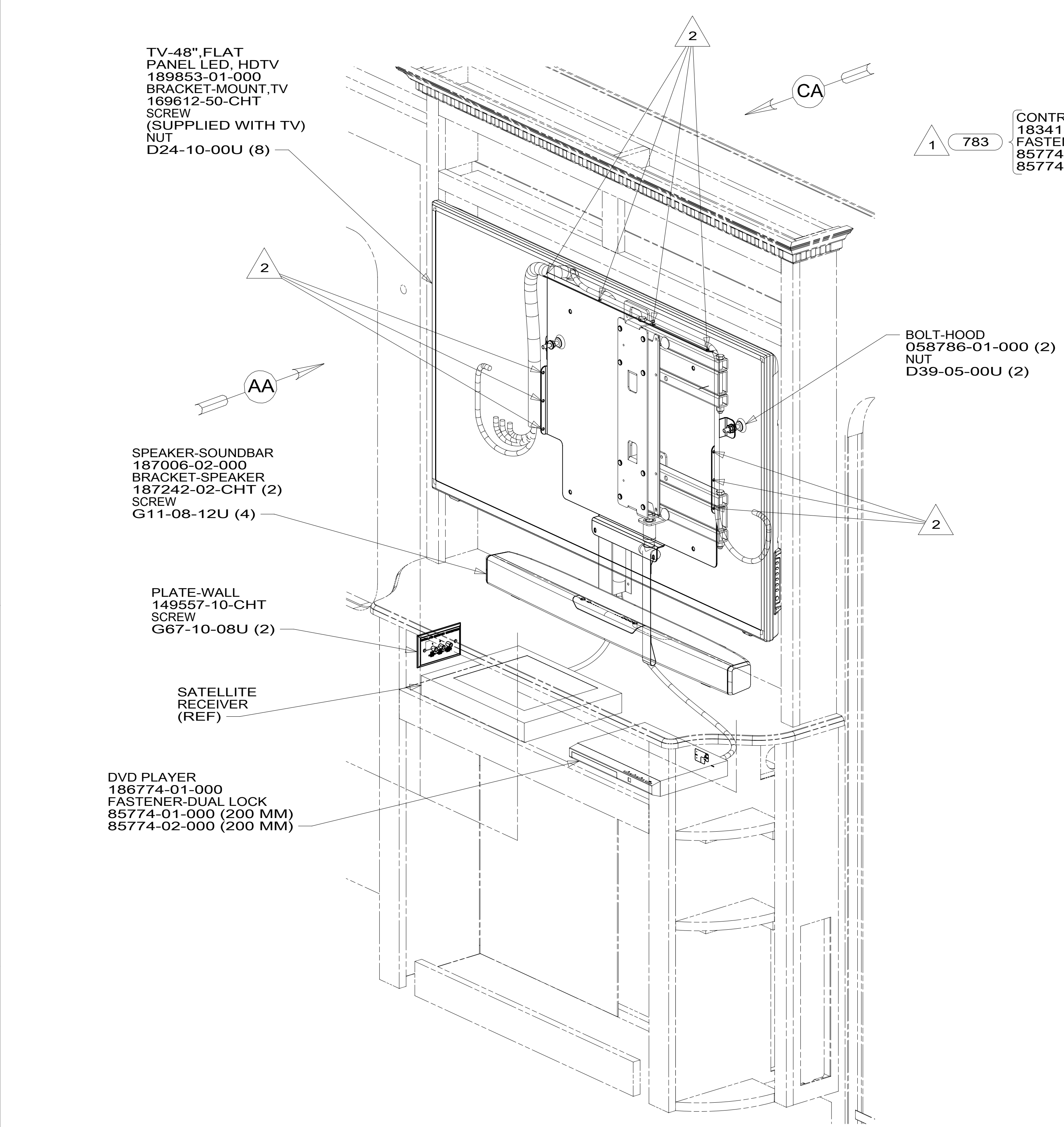


CAUTION

If you lack the skills, tools or equipment to perform diagnostic or repair work leave such work to an authorized Winnebago Industries dealer or other qualified shop.

8	7	6	5	4	3	2	1
DRAWING NO.	MODEL	SHEET					
185626-01	L34T	1,2,3					
185626-02	L38R	4,5,6					

RELEASE	REV/DATE	DWG NO	185626
REV ZONE	REVISION RECORD	DATE	DTR-ORIG



- 45D LOFT BED - WITHOUT
 - 45B LOFT BED
 - 78C SATELLITE SYSTEM READY
 - 783 SATELLITE HD TV SYSTEM AUTOC
 - 265 CODES/STANDARDS-CSA/CMVSS
 - 1B1 CODES/STANDARDS USA
- 1B1 265

		COPYRIGHT 2014 WINNEBAGO INDUSTRIES, INC.	
DTR	ORIG. DATE	ALL DIMENSIONS ARE IN MILLIMETERS	
CHKR		FIRST USED	
P.E.		14 L-SERIES	
M.E.		UNSPECIFIED TOLERANCES ARE:	
DSNR		WHOLE DIM (X) : ONE-PLACE (X.X) : TWO-PLACE (X.XX) : ANGLE : THIRD ANGLE PROJECTION :	
DO NOT SCALE DRAWING		REFER TO ES0018 FOR FASTENER TIGHTENING GUIDELINES	
TITLE: WIRING INSTL-TV/DVD			
SHEET 1 OF 6	PART NO 185626	REV	
REF:		1 05-Jan-2015	

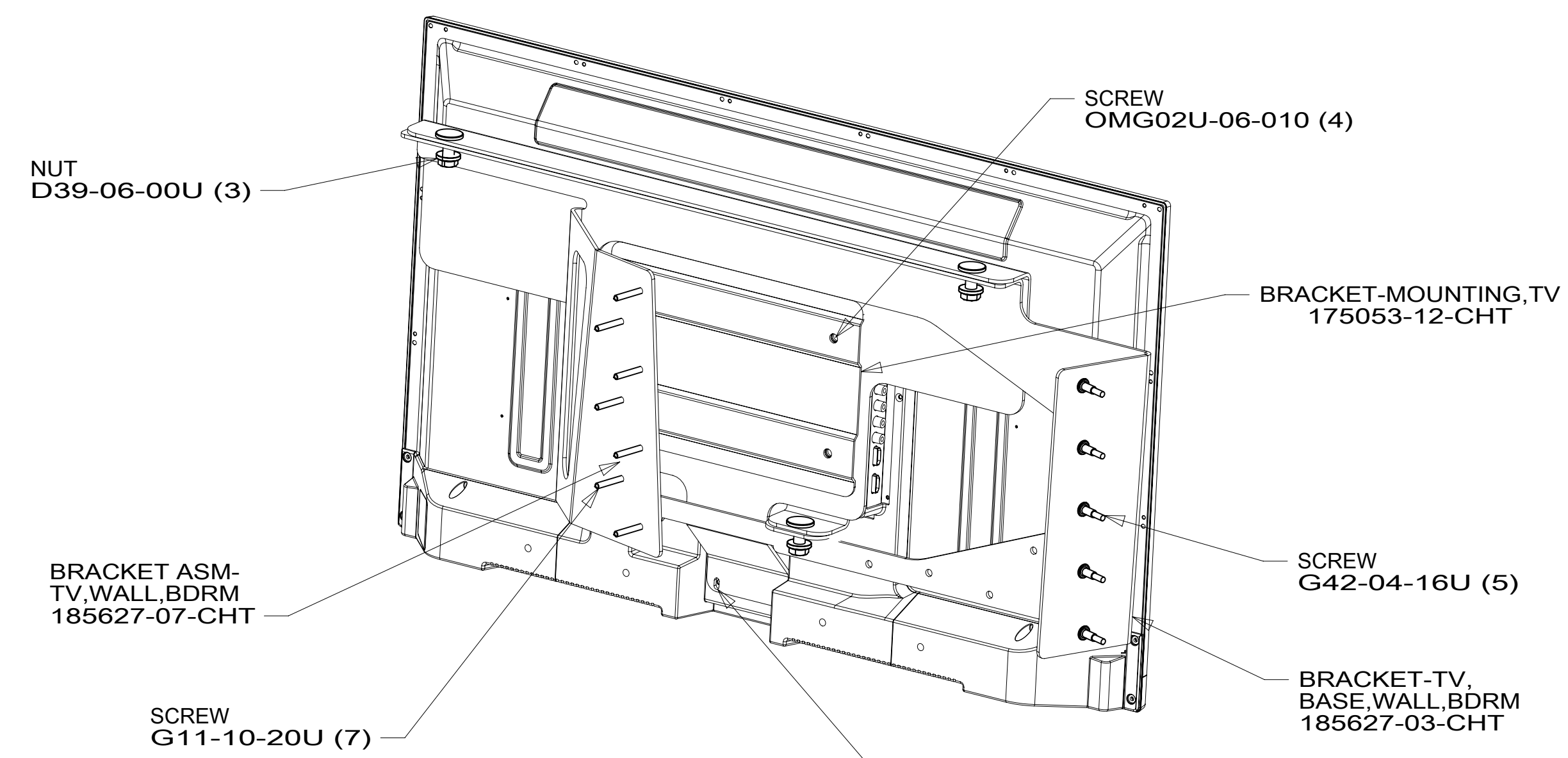
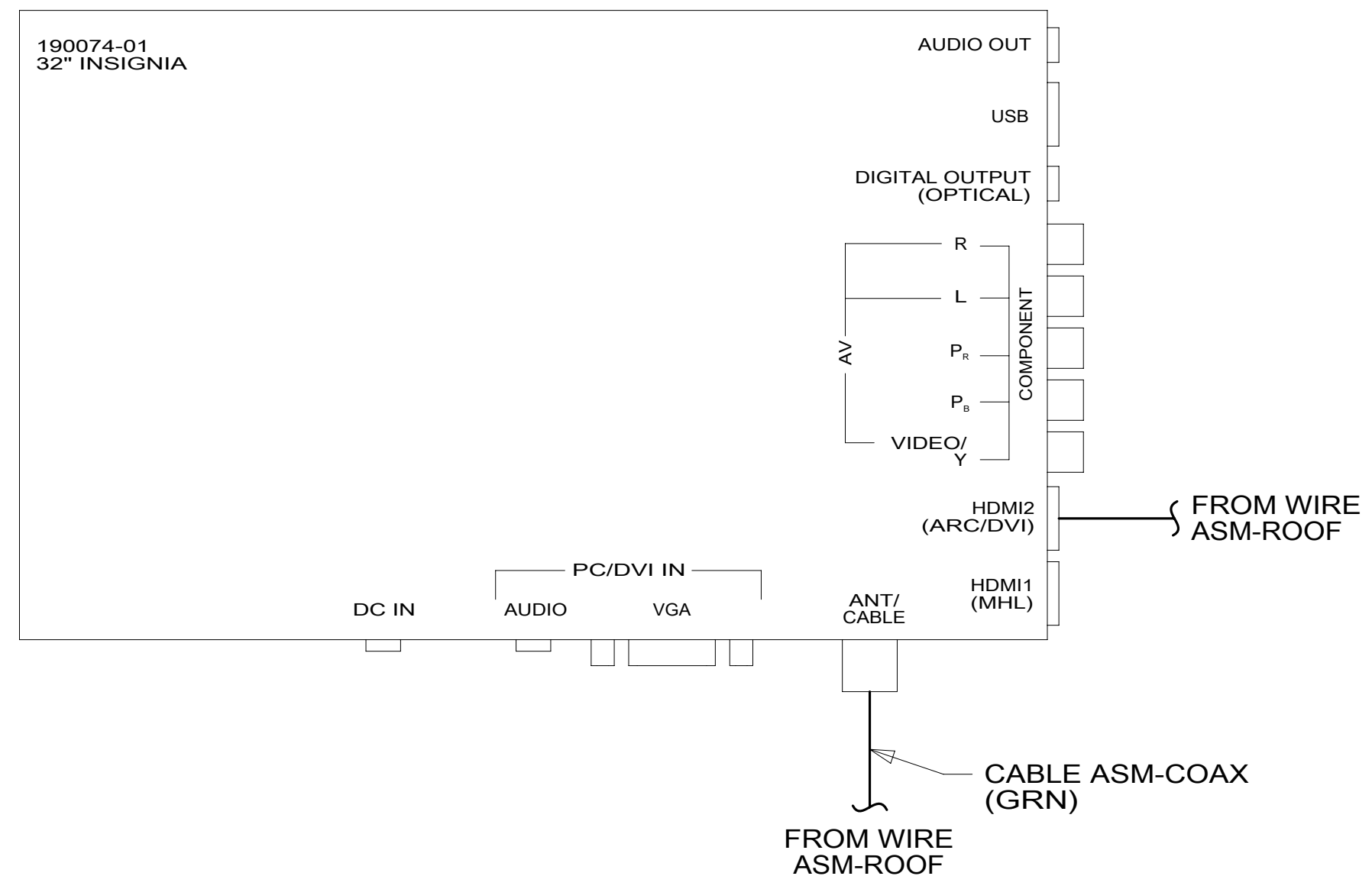
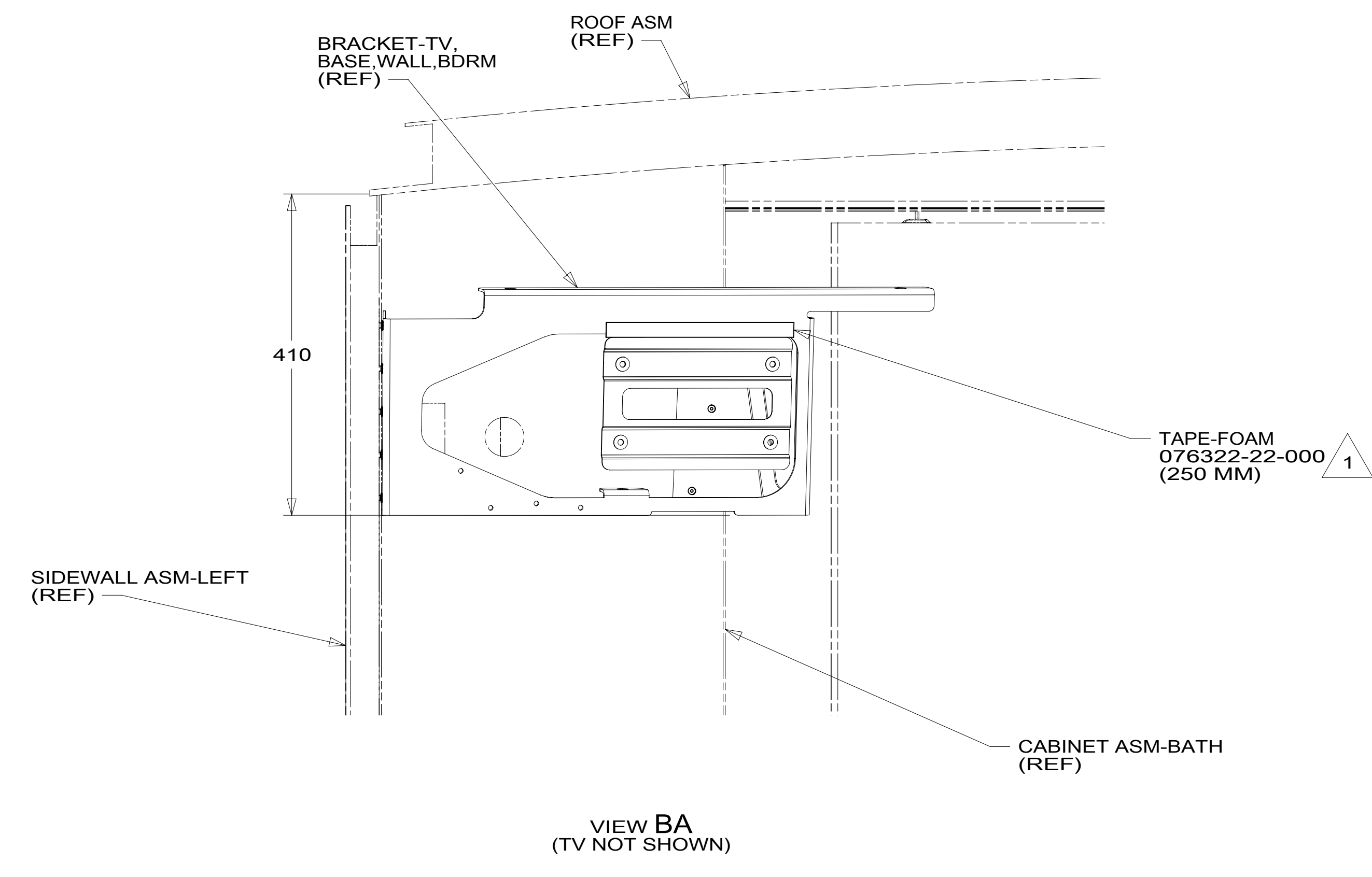
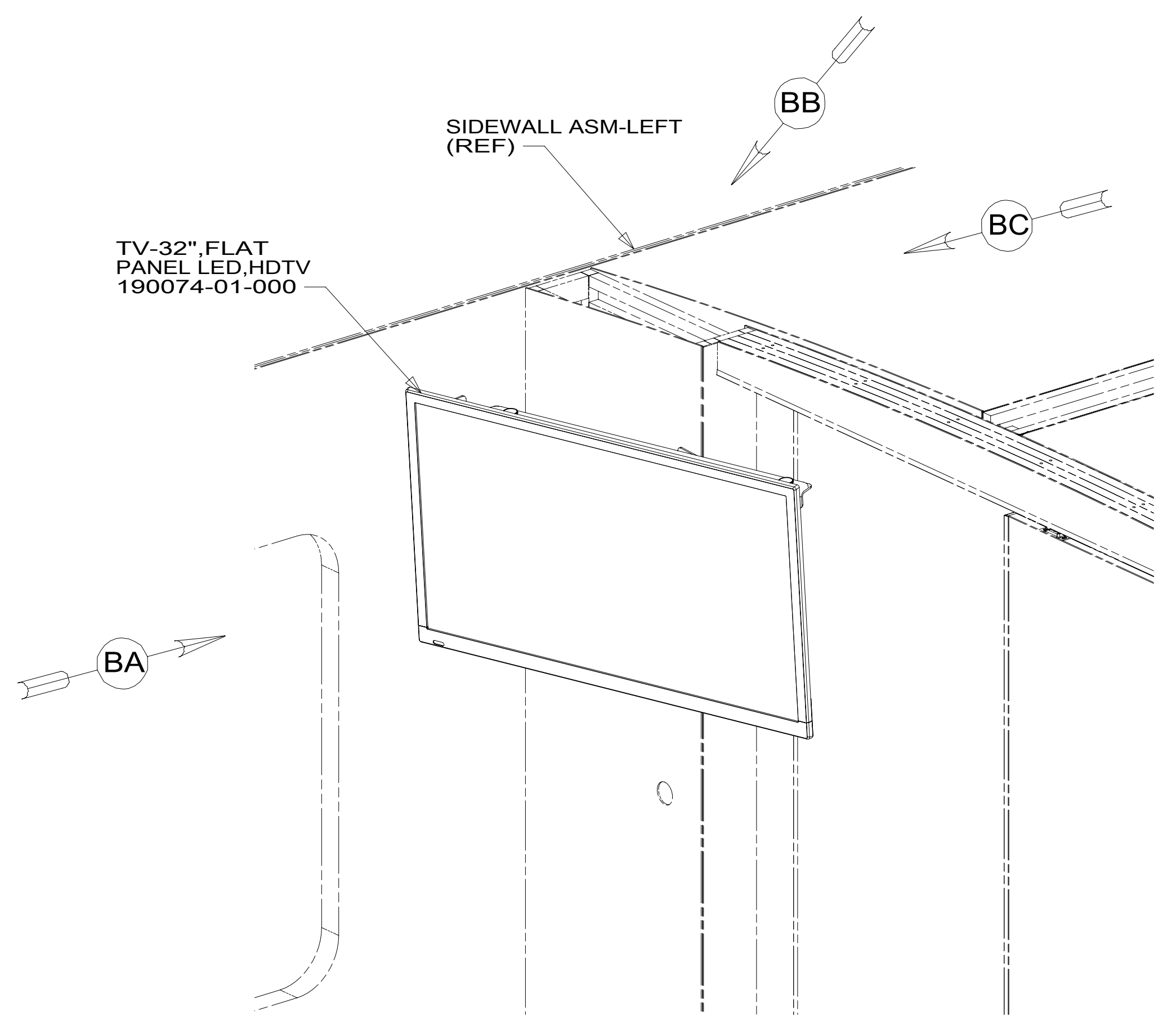
2 USE TIE-WIRE 8343-01-000 TO SUPPORT WIRE HERE.

1 INTERIOR CONTROL CONNECTS TO SATELLITE DATA CABLE. SEE ROOF ASM FOR ADDITIONAL INFORMATION.

FOR ELECTRICAL TORQUE SPECIFICATIONS SEE DWG NO. 128783-01-000

FOR ELECTRICAL CALLOUTS SEE DWG NO. 121339-01-000

185626



1 CLEAN AND APPLY ADHESIVE PROMOTER 87211-01-000 TO BOTH SURFACES AND BOND WHERE BRACKET CONTACTS PLASTIC TV CASE.

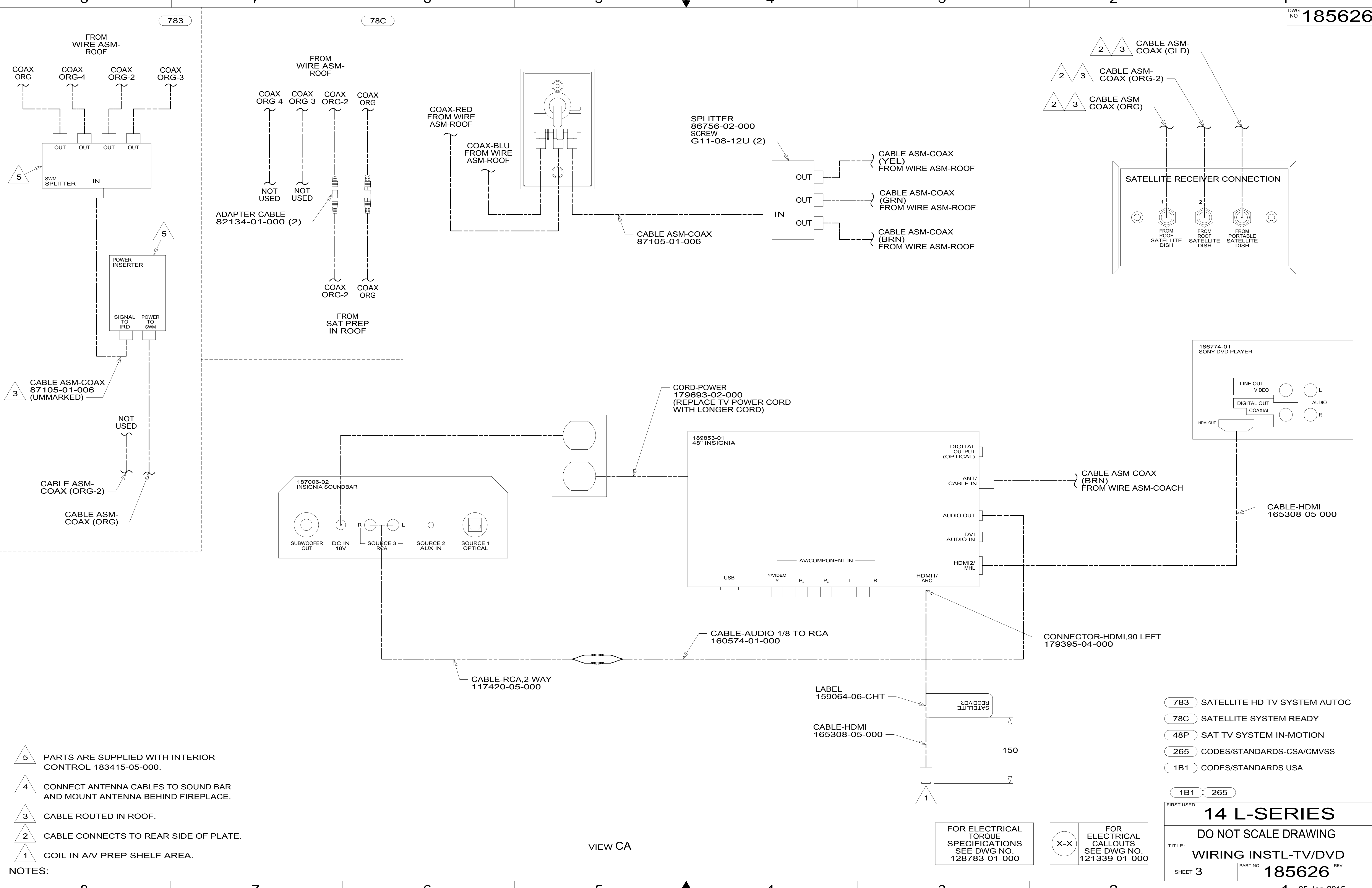
FOR ELECTRICAL TORQUE SPECIFICATIONS SEE DWG NO. 128783-01-000

FOR ELECTRICAL CALLOUTS SEE DWG NO. 121339-01-000

- 265 CODES/STANDARDS-CSA/CMVSS
- 1B1 CODES/STANDARDS USA
- 1B1 265

FIRST USED	
14 L-SERIES	
DO NOT SCALE DRAWING	
TITLE: WIRING INSTL-TV/DVD	
SHEET 2	PART NO 185626 REV
1 05-Jan-2015	

185626



- NOTES:
- 5 PARTS ARE SUPPLIED WITH INTERIOR CONTROL 183415-05-000.
 - 4 CONNECT ANTENNA CABLES TO SOUND BAR AND MOUNT ANTENNA BEHIND FIREPLACE.
 - 3 CABLE ROUTED IN ROOF.
 - 2 CABLE CONNECTS TO REAR SIDE OF PLATE.
 - 1 COIL IN AV PREP SHELF AREA.

- 783 SATELLITE HD TV SYSTEM AUTOC
- 78C SATELLITE SYSTEM READY
- 48P SAT TV SYSTEM IN-MOTION
- 265 CODES/STANDARDS-CSA/CMVSS
- 1B1 CODES/STANDARDS USA

FIRST USED

14 L-SERIES

DO NOT SCALE DRAWING

TITLE: **WIRING INSTL-TV/DVD**

SHEET 3 PART NO **185626** REV

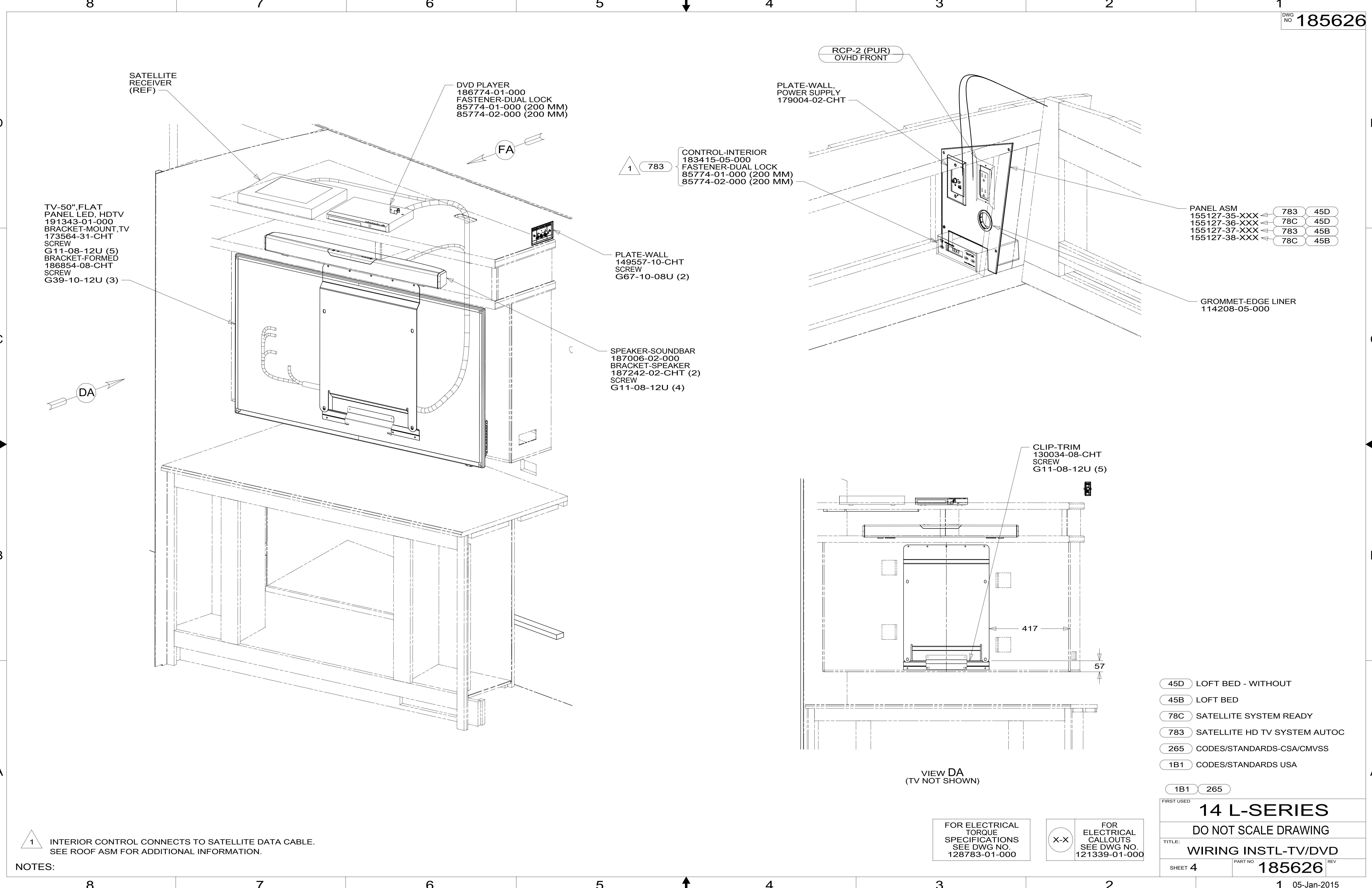
1 05-Jan-2015

FOR ELECTRICAL TORQUE SPECIFICATIONS SEE DWG NO. 128783-01-000

FOR ELECTRICAL CALLOUTS SEE DWG NO. 121339-01-000

VIEW CA

* 185626 *



TV-50", FLAT
 PANEL LED, HDTV
 191343-01-000
 BRACKET-MOUNT, TV
 173564-31-CHT
 SCREW
 G11-08-12U (5)
 BRACKET-FORMED
 186854-08-CHT
 SCREW
 G39-10-12U (3)

DVD PLAYER
 186774-01-000
 FASTENER-DUAL LOCK
 85774-01-000 (200 MM)
 85774-02-000 (200 MM)

CONTROL-INTERIOR
 183415-05-000
 FASTENER-DUAL LOCK
 85774-01-000 (200 MM)
 85774-02-000 (200 MM)

PLATE-WALL
 149557-10-CHT
 SCREW
 G67-10-08U (2)

SPEAKER-SOUNDBAR
 187006-02-000
 BRACKET-SPEAKER
 187242-02-CHT (2)
 SCREW
 G11-08-12U (4)

PLATE-WALL,
 POWER SUPPLY
 179004-02-CHT

RCP-2 (PUR)
 OVHD FRONT

PANEL ASM
 155127-35-XXX ← 783 45D
 155127-36-XXX ← 78C 45D
 155127-37-XXX ← 783 45B
 155127-38-XXX ← 78C 45B

GROMMET-EDGE LINER
 114208-05-000

CLIP-TRIM
 130034-08-CHT
 SCREW
 G11-08-12U (5)

417

57

VIEW DA
 (TV NOT SHOWN)

1 INTERIOR CONTROL CONNECTS TO SATELLITE DATA CABLE.
 SEE ROOF ASM FOR ADDITIONAL INFORMATION.

FOR ELECTRICAL
 TORQUE
 SPECIFICATIONS
 SEE DWG NO.
 128783-01-000

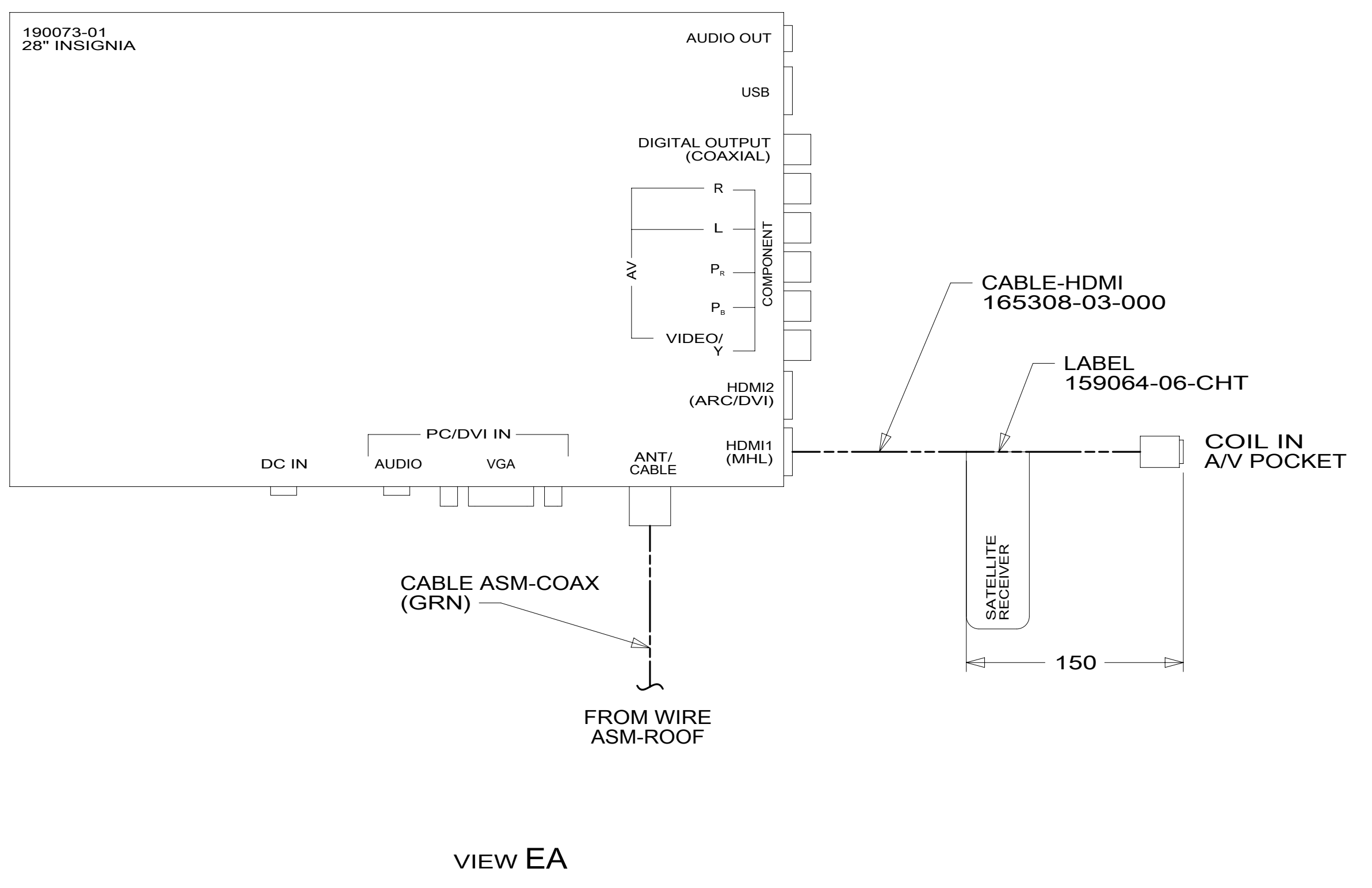
FOR
 ELECTRICAL
 CALLOUTS
 SEE DWG NO.
 121339-01-000

- 45D LOFT BED - WITHOUT
- 45B LOFT BED
- 78C SATELLITE SYSTEM READY
- 783 SATELLITE HD TV SYSTEM AUTOC
- 265 CODES/STANDARDS-CSA/CMVSS
- 1B1 CODES/STANDARDS USA

1B1 265

FIRST USED	
14 L-SERIES	
DO NOT SCALE DRAWING	
TITLE: WIRING INSTL-TV/DVD	
SHEET 4	PART NO 185626 REV
1 05-Jan-2015	

* 185626 *



TV-28", FLAT PANEL
190073-01-000
SCREW-VESA
OMG02U-06-010 (4)
SCREW BASE
(SUPPLIED/TV)
BRACKET ASM-MOUNT-TV
191416-01-CHT
SCREW
G39-08-12U

265 CODES/STANDARDS-CSA/CMVSS

1B1 CODES/STANDARDS USA

1B1 265

FIRST USED
14 L-SERIES

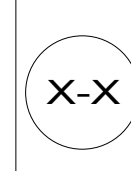
DO NOT SCALE DRAWING

TITLE:
WIRING INSTL-TV/DVD

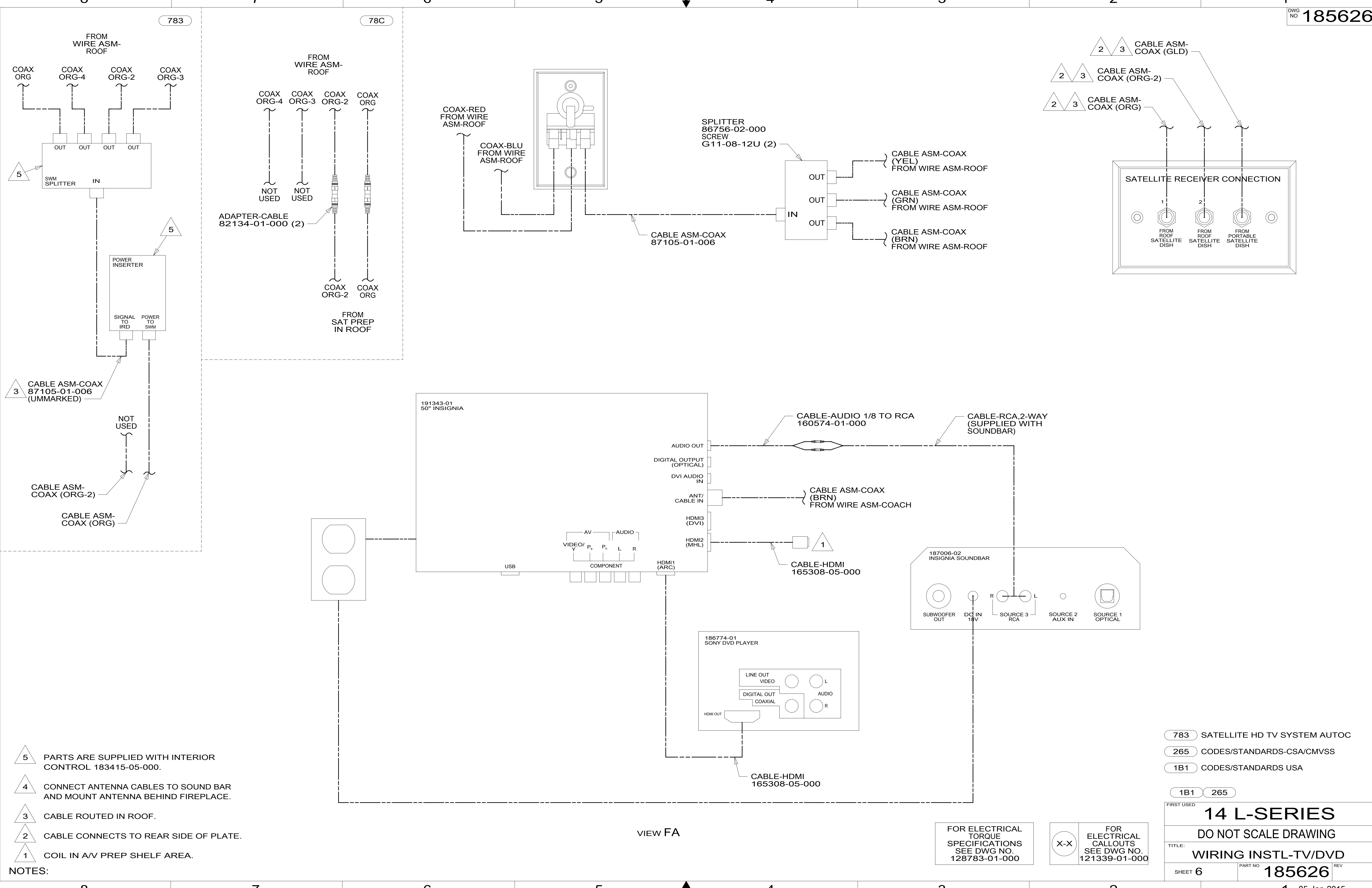
SHEET 5 PART NO **185626** REV

FOR ELECTRICAL TORQUE SPECIFICATIONS SEE DWG NO. 128783-01-000

FOR ELECTRICAL CALLOUTS SEE DWG NO. 121339-01-000



* 185626 *



- NOTES:
- 5 PARTS ARE SUPPLIED WITH INTERIOR CONTROL 183415-05-000.
 - 4 CONNECT ANTENNA CABLES TO SOUND BAR AND MOUNT ANTENNA BEHIND FIREPLACE.
 - 3 CABLE ROUTED IN ROOF.
 - 2 CABLE CONNECTS TO REAR SIDE OF PLATE.
 - 1 COIL IN AV PREP SHELF AREA.

- 783 SATELLITE HD TV SYSTEM AUTOC
- 265 CODES/STANDARDS-CSA/CMVSS
- 1B1 CODES/STANDARDS USA

FIRST USED

14 L-SERIES

DO NOT SCALE DRAWING

TITLE: **WIRING INSTL-TV/DVD**

SHEET 6 PART NO **185626** REV

1 05-Jan-2015

FOR ELECTRICAL TORQUE SPECIFICATIONS SEE DWG NO. 128783-01-000

X-X FOR ELECTRICAL CALLOUTS SEE DWG NO. 121339-01-000

VIEW FA

* 185626 *