



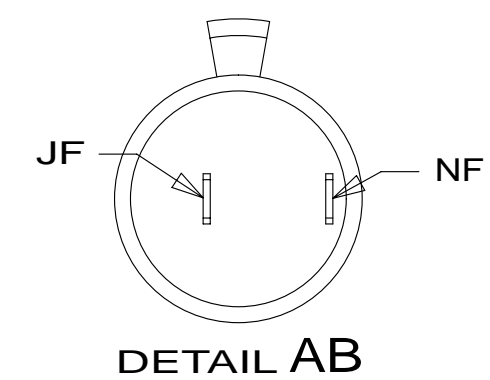
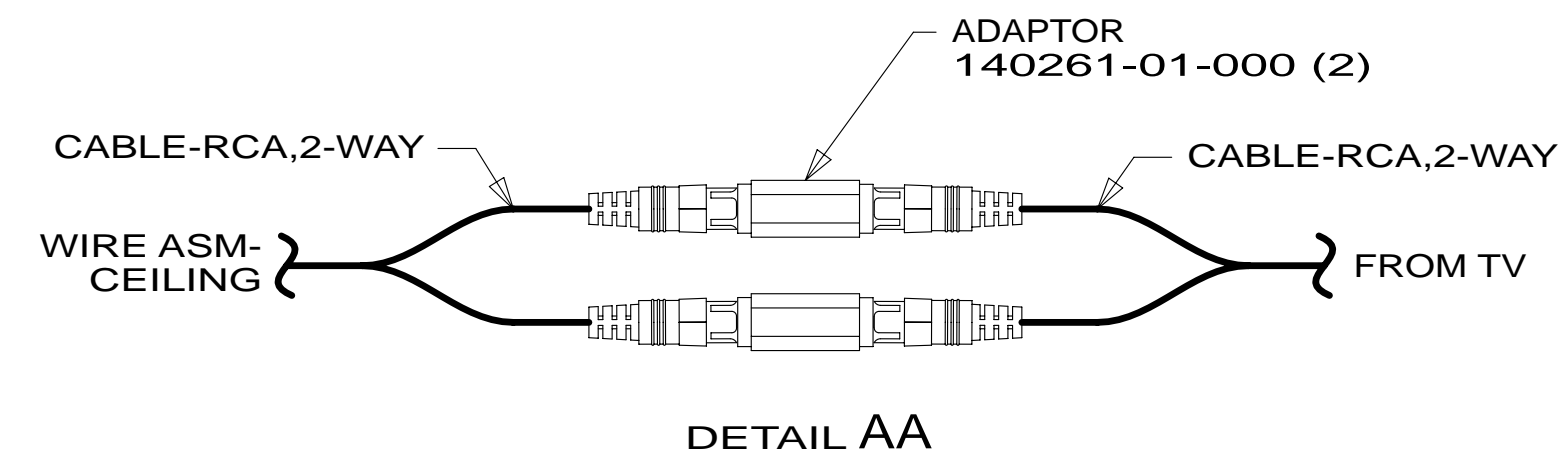
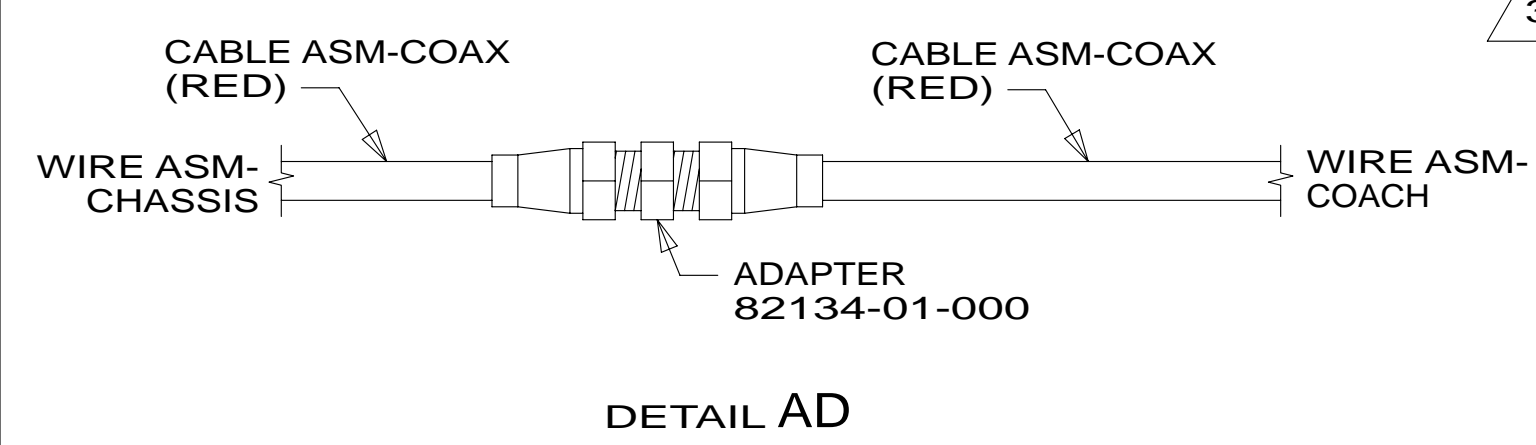
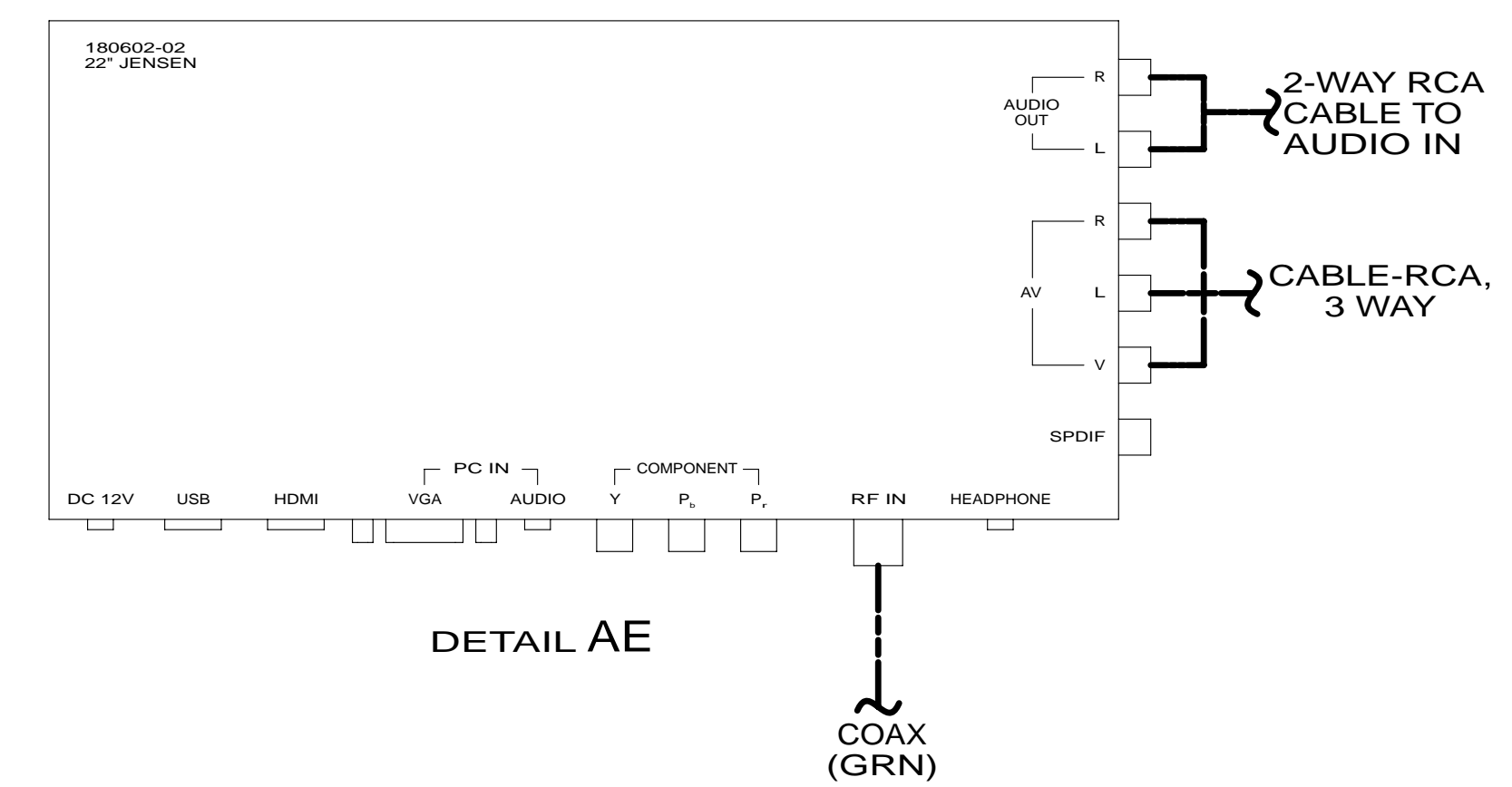
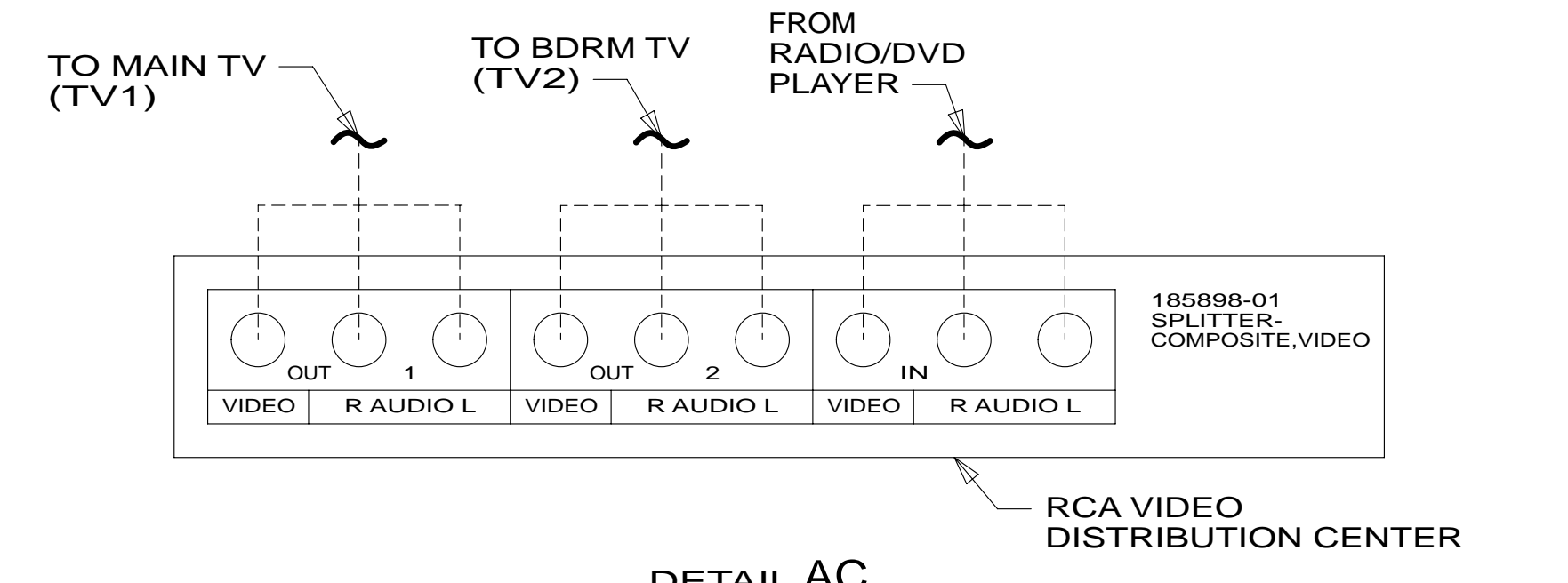
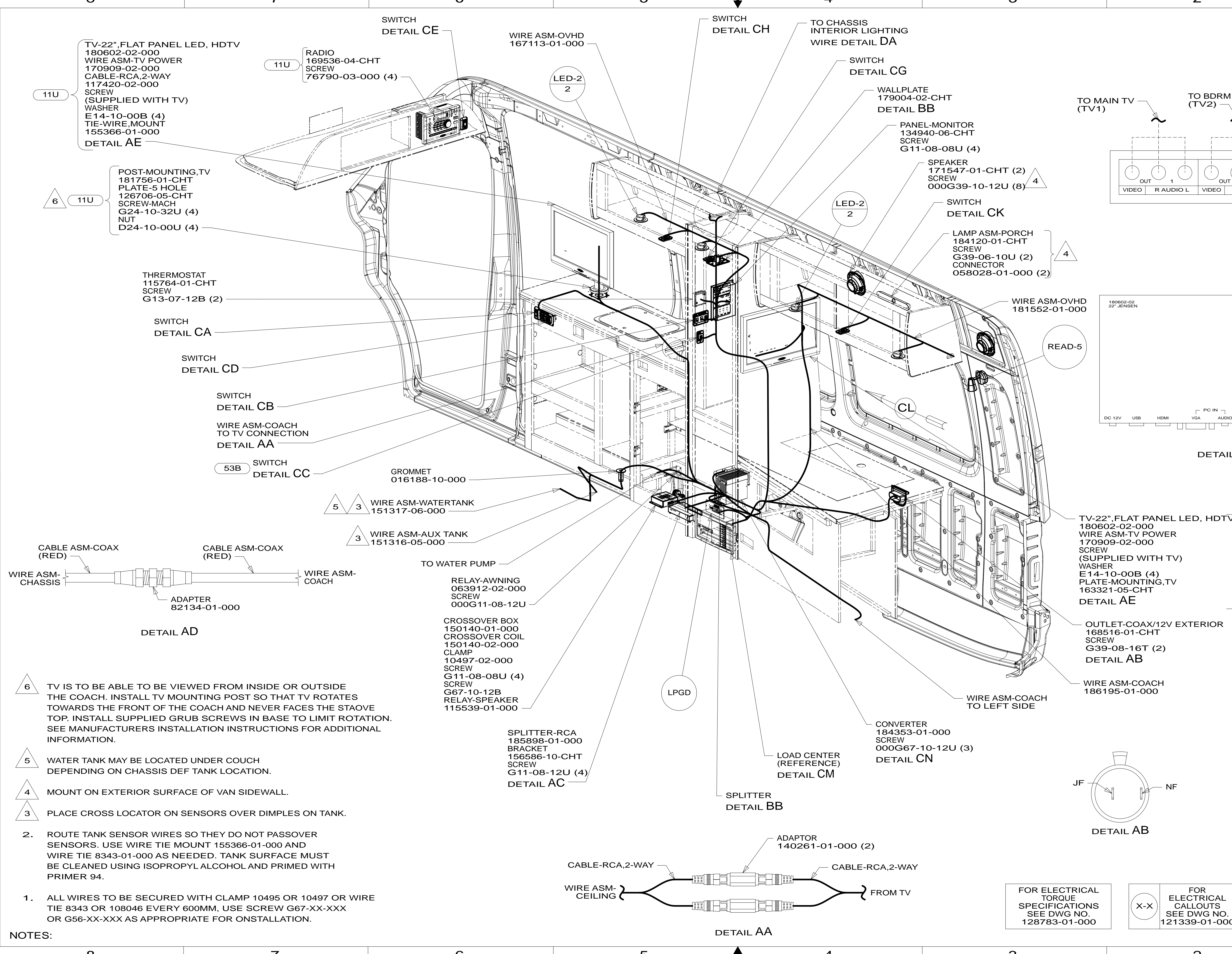
**DANGER**

**Danger of electrical shock, burns or death.** Always remove all power sources before attempting any repair, service or diagnostic work. Power can be present from shore power, generator, inverter or battery. All power sources must be disabled and secured before performing any service.



**CAUTION**

If you lack the skills, tools or equipment to perform diagnostic or repair work leave such work to an authorized Winnebago Industries dealer or other qualified shop.



- NOTES:
1. ALL WIRES TO BE SECURED WITH CLAMP 10495 OR 10497 OR WIRE TIE 8343 OR 108046 EVERY 600MM, USE SCREW G67-XX-XXX OR G56-XX-XXX AS APPROPRIATE FOR ONSTALLATION.
  2. ROUTE TANK SENSOR WIRES SO THEY DO NOT PASSOVER SENSORS. USE WIRE TIE MOUNT 155366-01-000 AND WIRE TIE 8343-01-000 AS NEEDED. TANK SURFACE MUST BE CLEANED USING ISOPROPYL ALCOHOL AND PRIMED WITH PRIMER 94.
- 6 TV IS TO BE ABLE TO BE VIEWED FROM INSIDE OR OUTSIDE THE COACH. INSTALL TV MOUNTING POST SO THAT TV ROTATES TOWARDS THE FRONT OF THE COACH AND NEVER FACES THE STAOVE TOP. INSTALL SUPPLIED GRUB SCREWS IN BASE TO LIMIT ROTATION. SEE MANUFACTURERS INSTALLATION INSTRUCTIONS FOR ADDITIONAL INFORMATION.
- 5 WATER TANK MAY BE LOCATED UNDER COUCH DEPENDING ON CHASSIS DEF TANK LOCATION.
- 4 MOUNT ON EXTERIOR SURFACE OF VAN SIDEWALL.
- 3 PLACE CROSS LOCATOR ON SENSORS OVER DIMPLES ON TANK.

- 68B TV (REAR)DC 22" LCD W/REMOTE
- 11U TV-22"DC,LCD,STEREO/CD/DVD
- 53B WTR HTR-6GAL ELECTRIC/LP GAS
- 265 CODES/STANDARDS-CSA/CMVSS
- 1B1 CODES/STANDARDS USA

WINNEBAGO COPYRIGHT 2014 WINNEBAGO INDUSTRIES, INC.

ALL DIMENSIONS ARE IN MILLIMETERS

14 170A

UNSPECIFIED TOLERANCES ARE:  
 WHOLE DIM (X) : 3  
 ONE-PLACE (X.X) : 1.5  
 TWO-PLACE (X.XX) : 0.50  
 ANGLE : 1°

THIRD ANGLE PROJECTION

DO NOT SCALE DRAWING REFER TO ES0018 FOR FASTENER TIGHTENING GUIDELINES

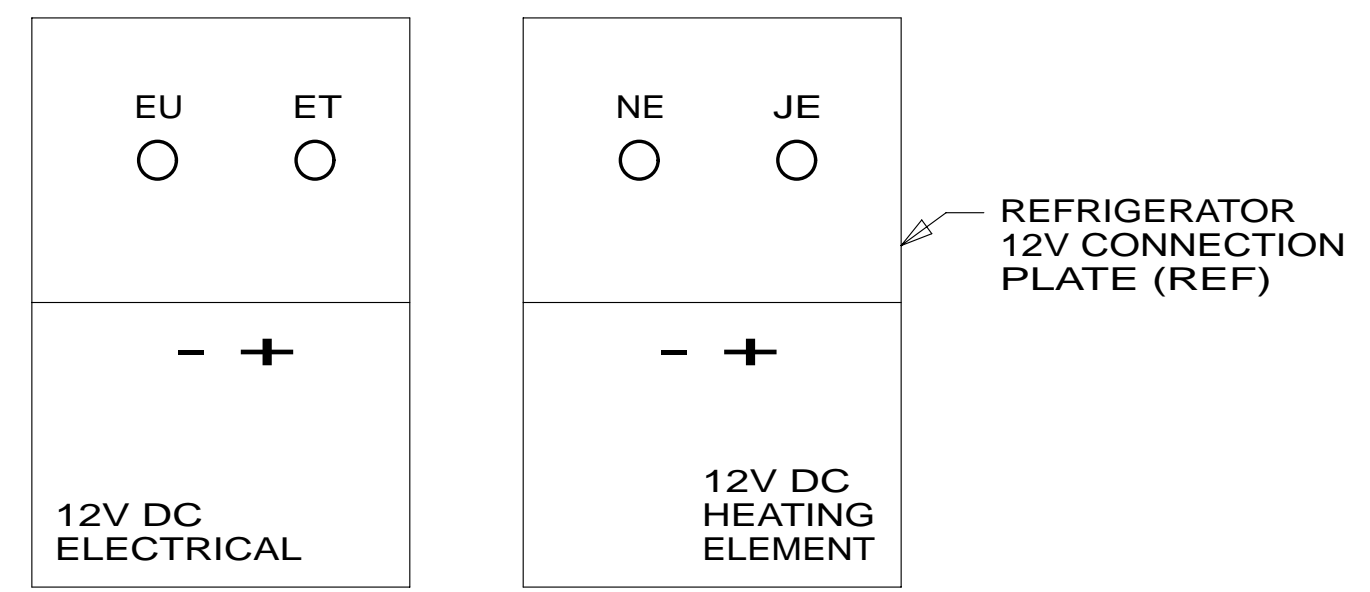
TITLE: WIRING INSTL-BODY, 12V

SHEET 1 OF 4 PART NO 185394 REV 1 05-May-2014

FOR ELECTRICAL TORQUE SPECIFICATIONS SEE DWG NO. 128783-01-000

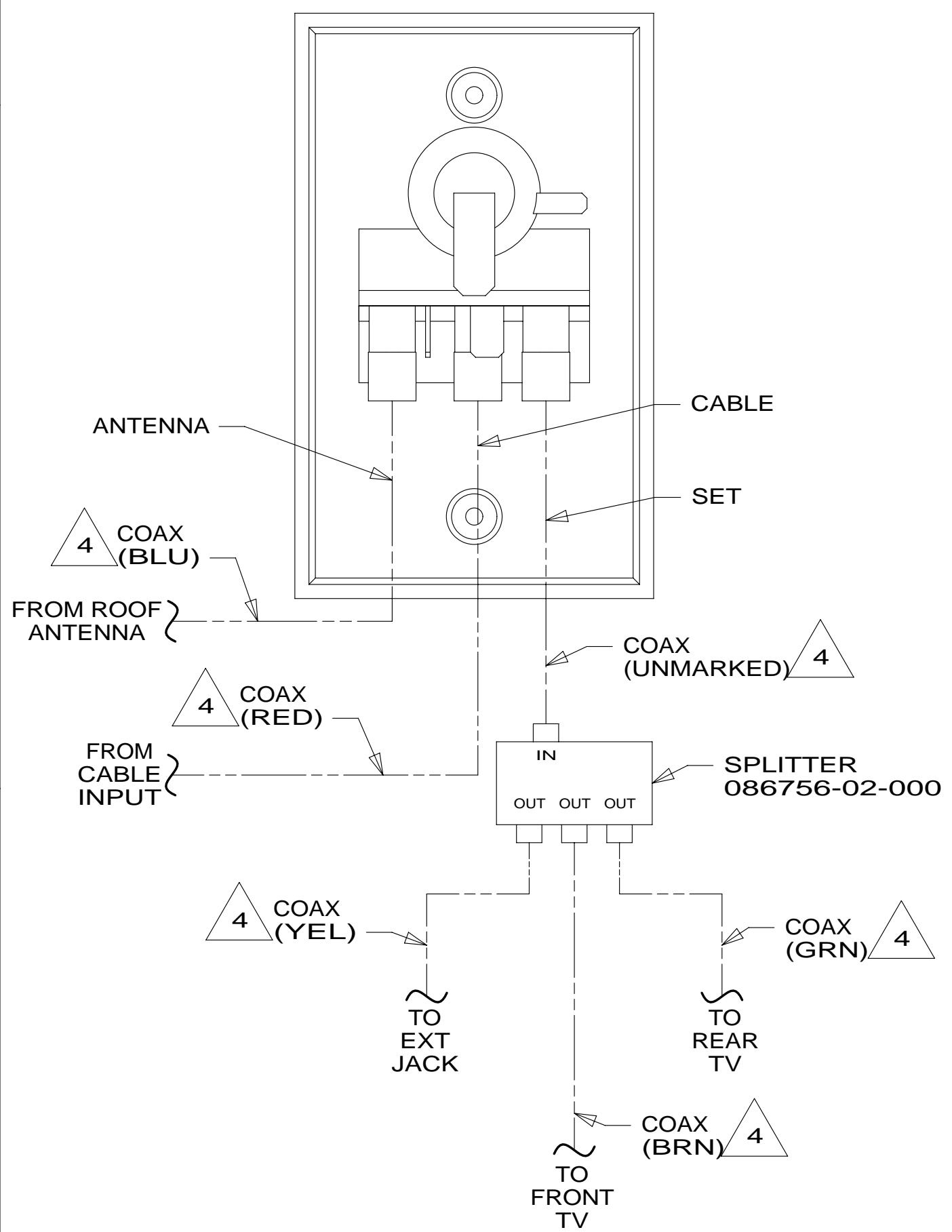
FOR ELECTRICAL CALLOUTS SEE DWG NO. 121339-01-000

\* 185394 \*

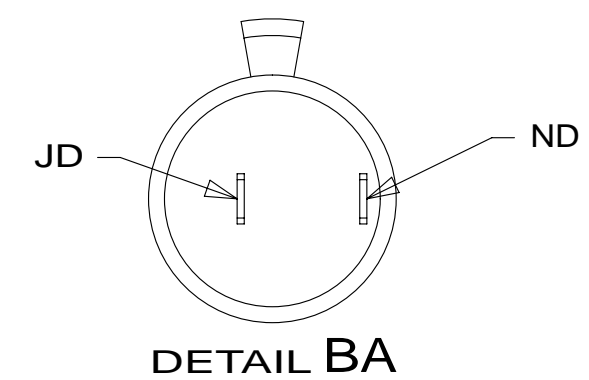
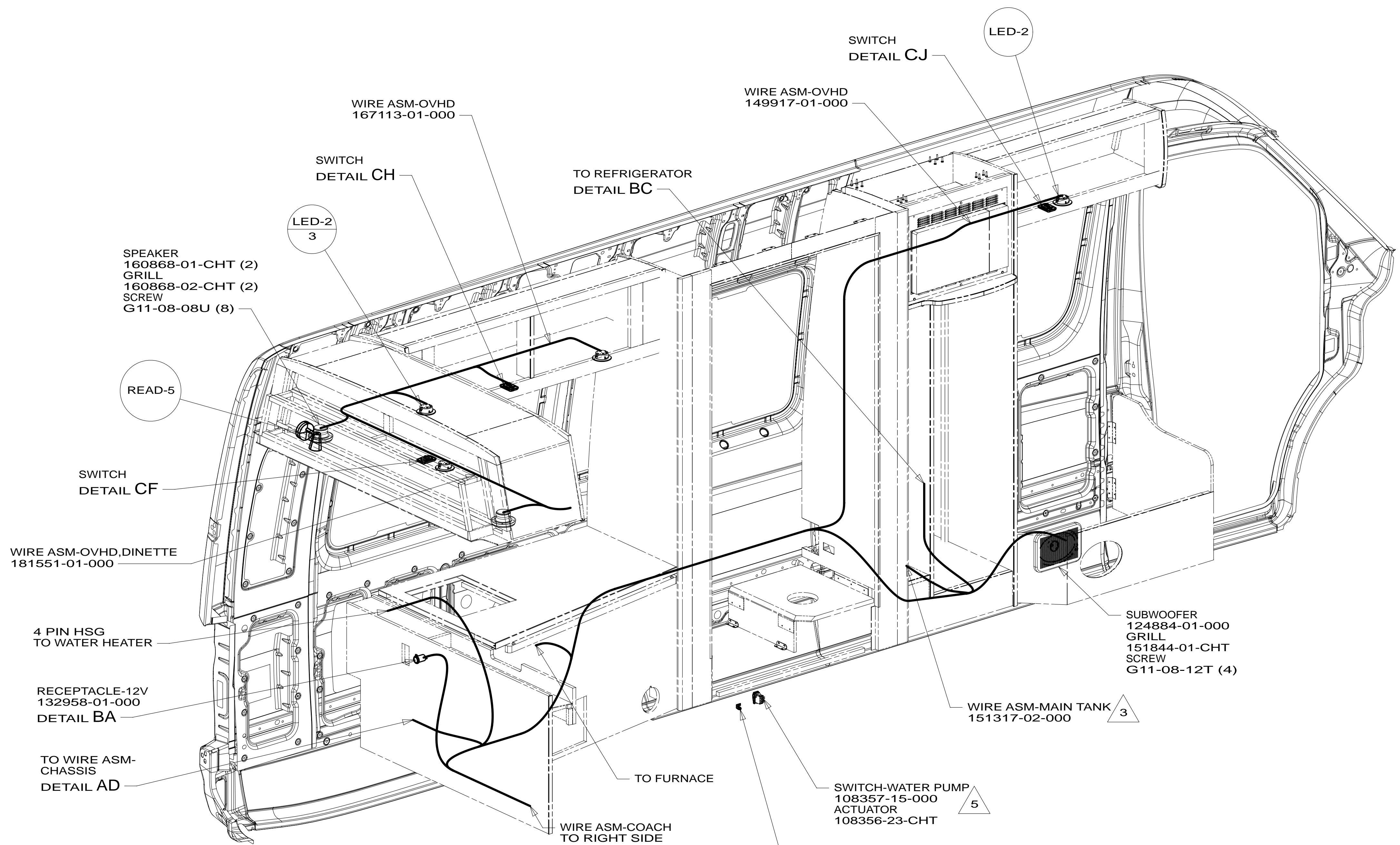


REFRIGERATOR  
12V CONNECTION  
PLATE (REF)

DETAIL BC



DETAIL BB



- 5 MOUNTED IN EXTERIOR SERVICE CENTER.
- 4 COAX IS PART OF WIRE ASM-COACH.
- 3 COVER ALL WIRES AND CABLES WITH CONVOLUTED TUBING. SECURE TO TV BRACKET SO THAT WIRES AND CABLES DO NOT BECOME PINCHED.
- 2 LOCATE HOLES TO MATCH PANEL ASM-VERTICAL.

1. ALL WIRES TO BE SECURED WITH CLAMP 10495 OR 10497 OR WIRE TIE 8343 OR 108046 EVERY 600MM, USE SCREW G67-XX-XXX OR G56-XX-XXX AS APPROPRIATE FOR ONSTALLATION.

NOTES:

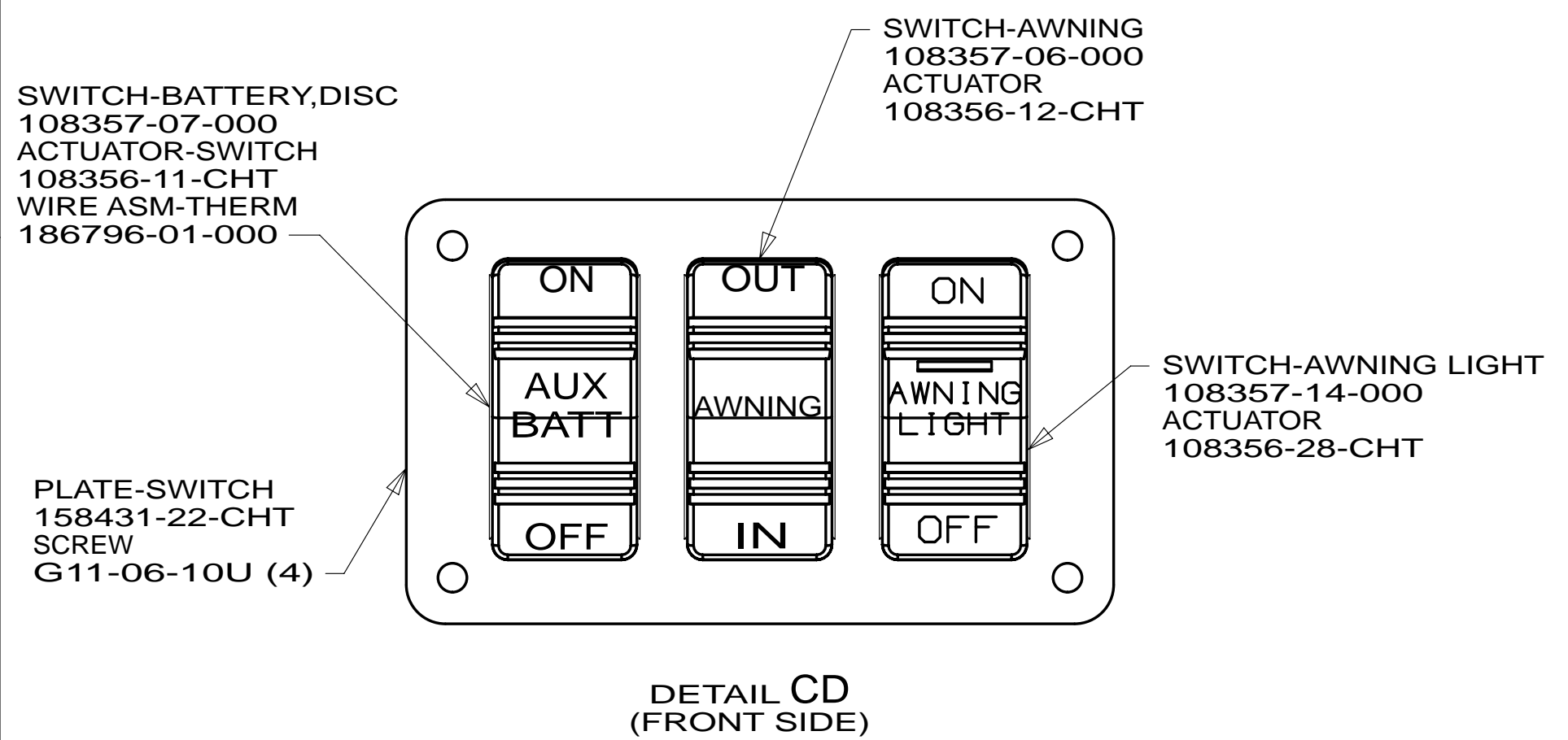
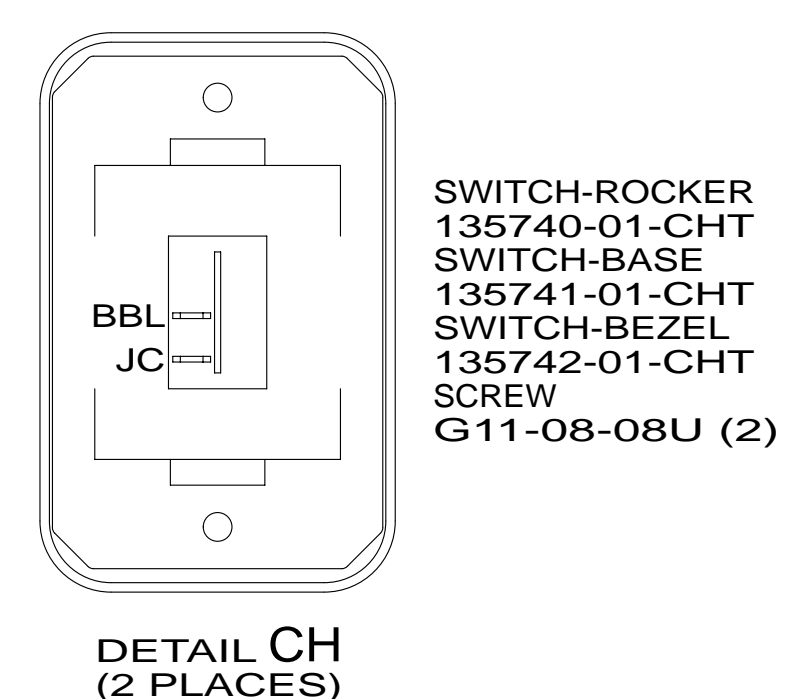
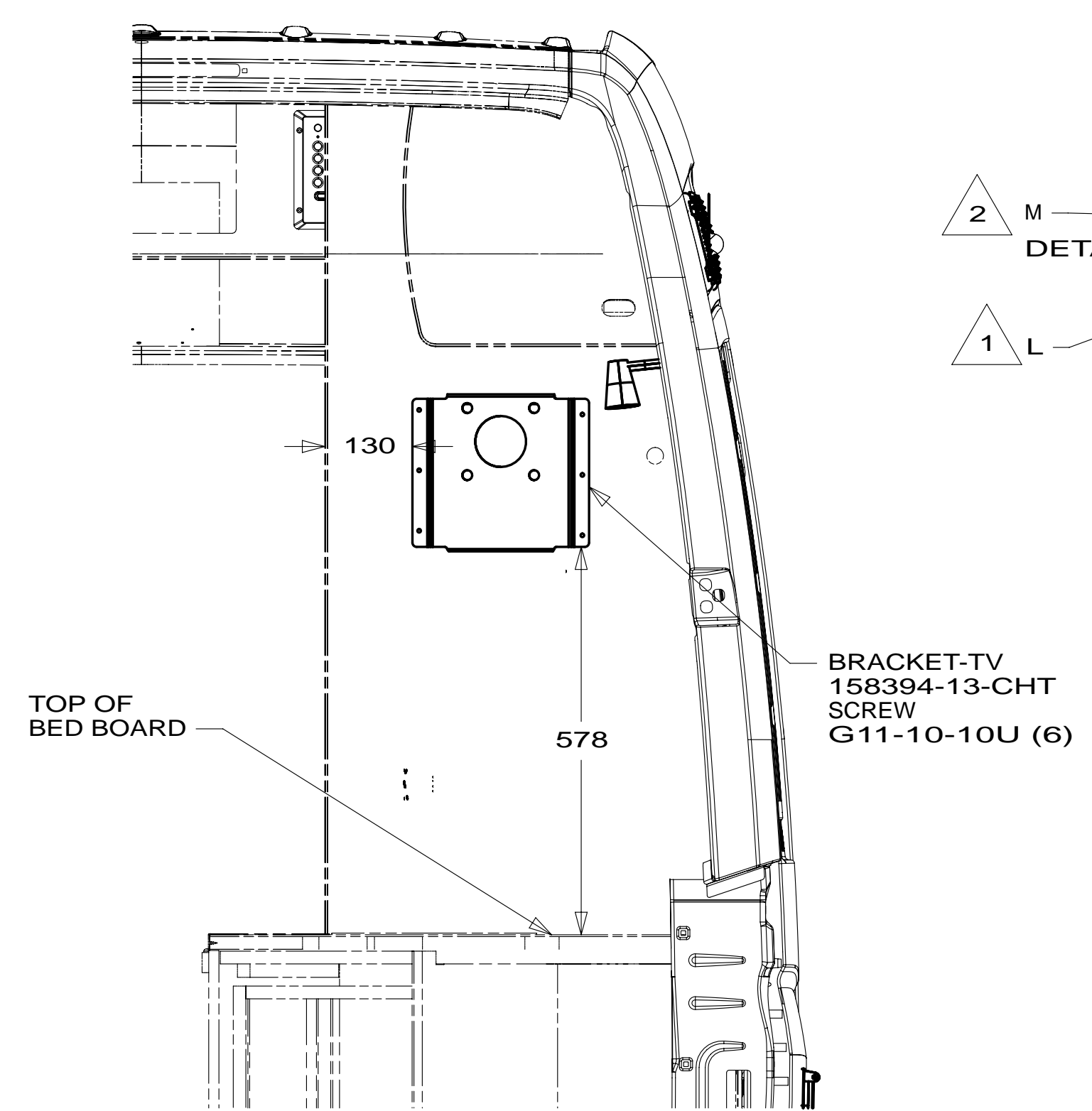
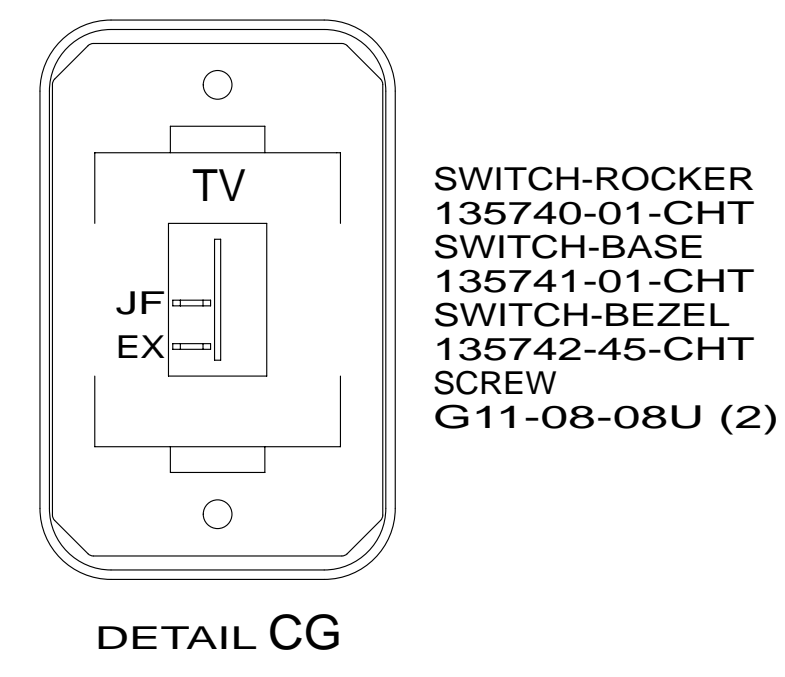
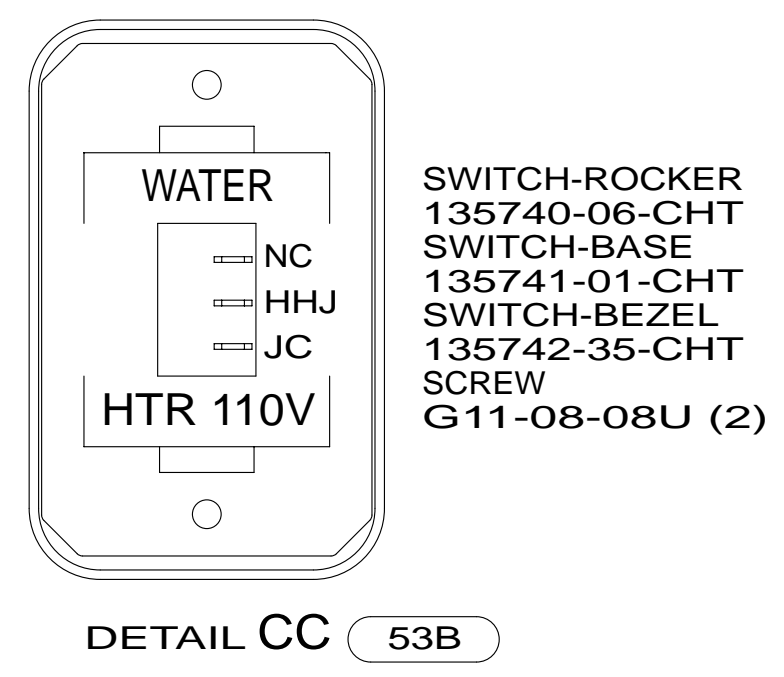
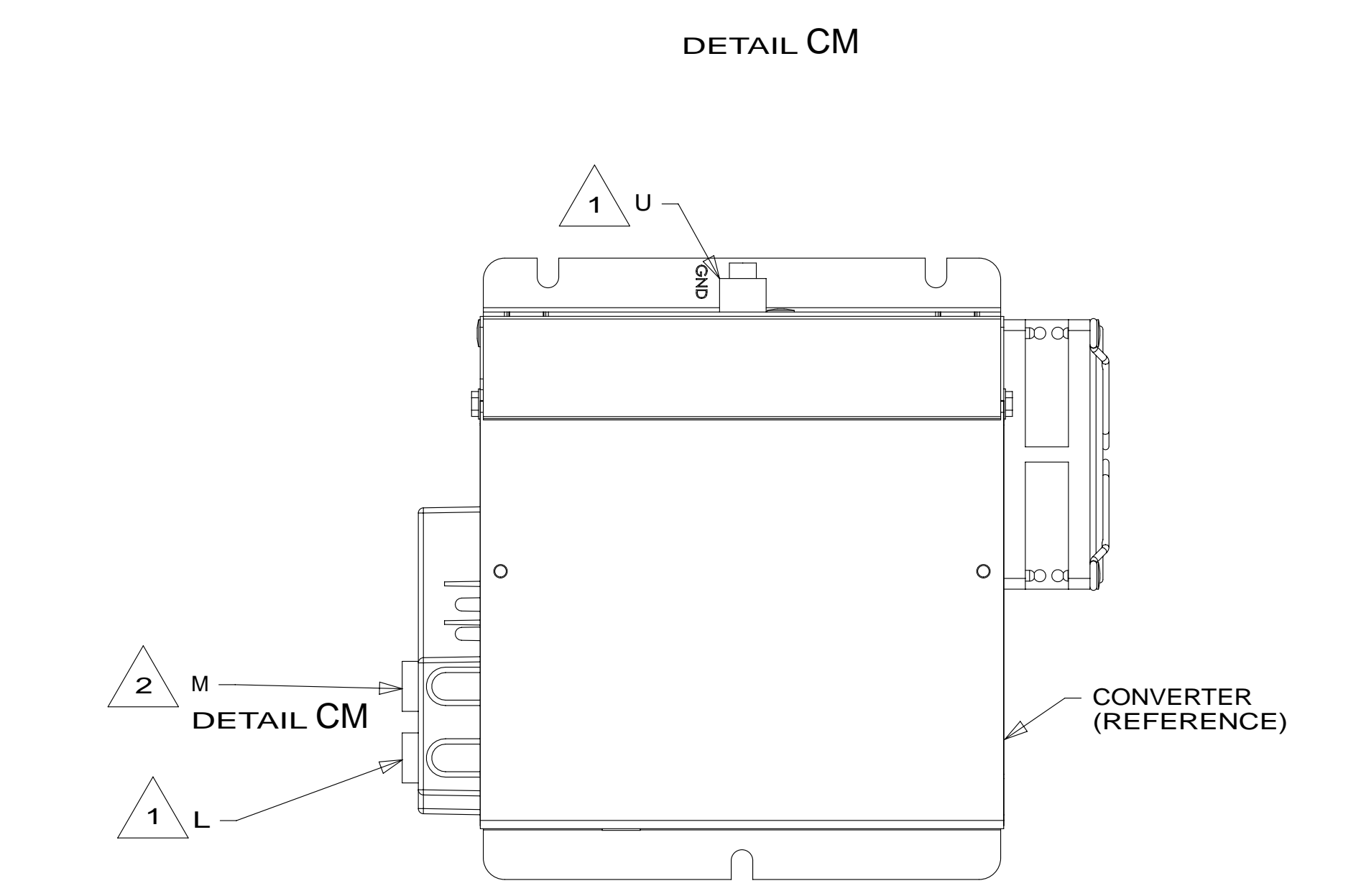
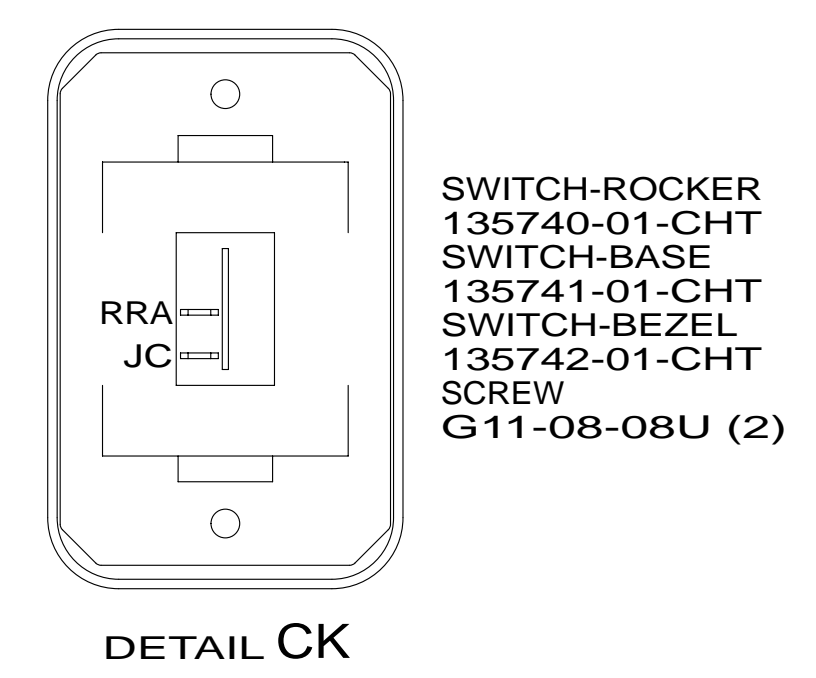
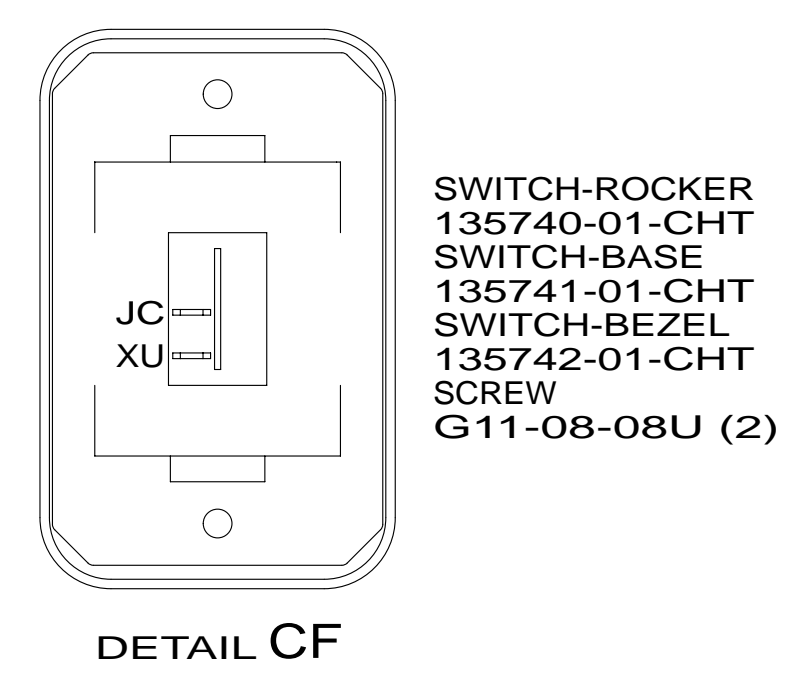
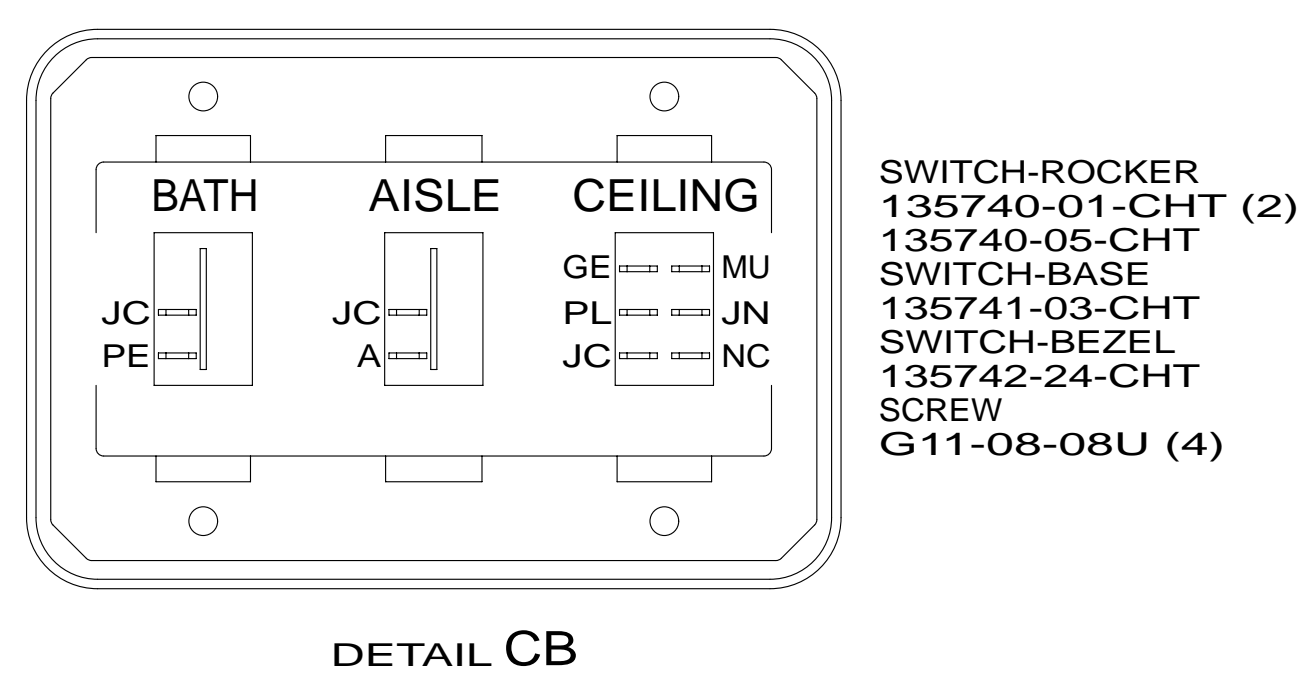
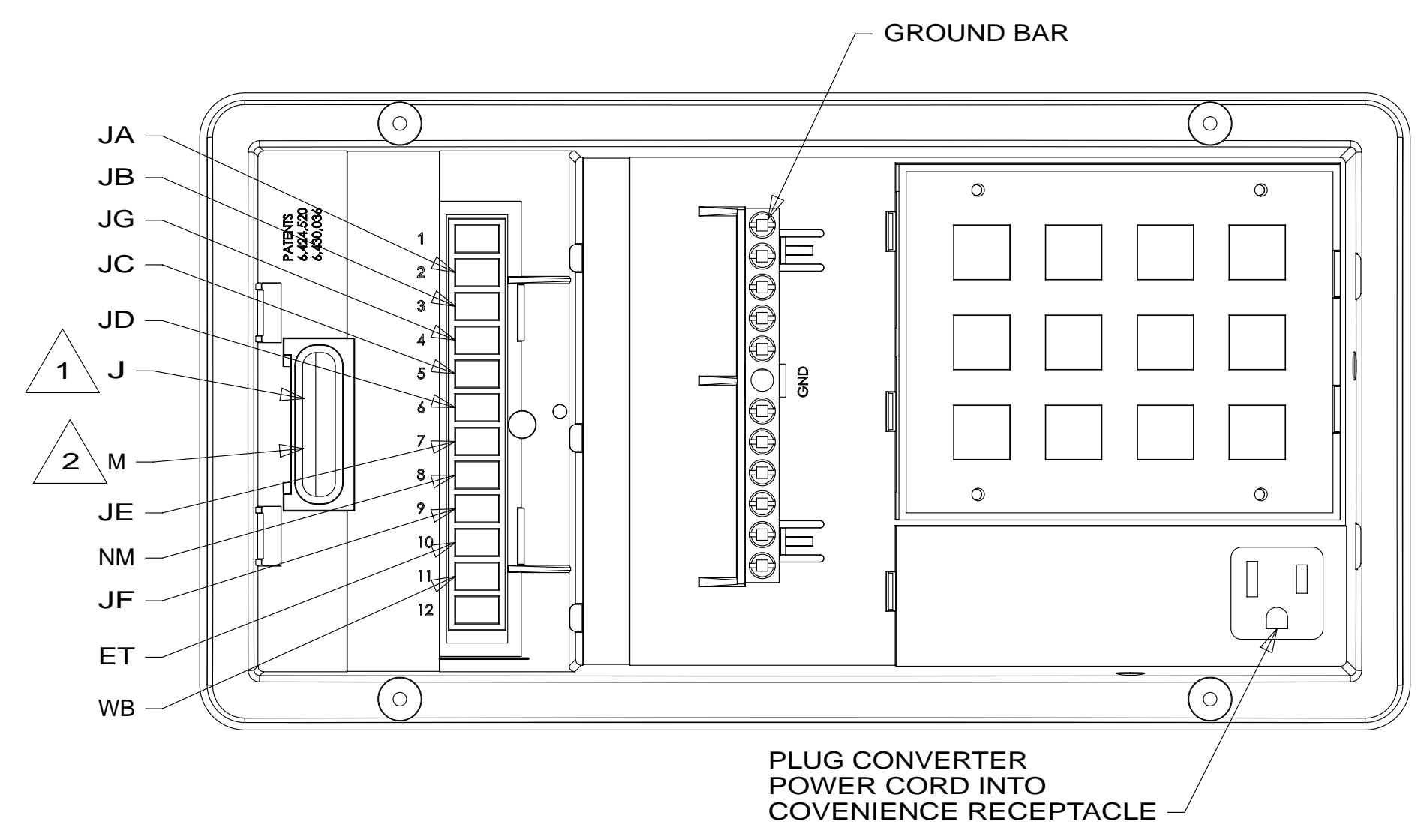
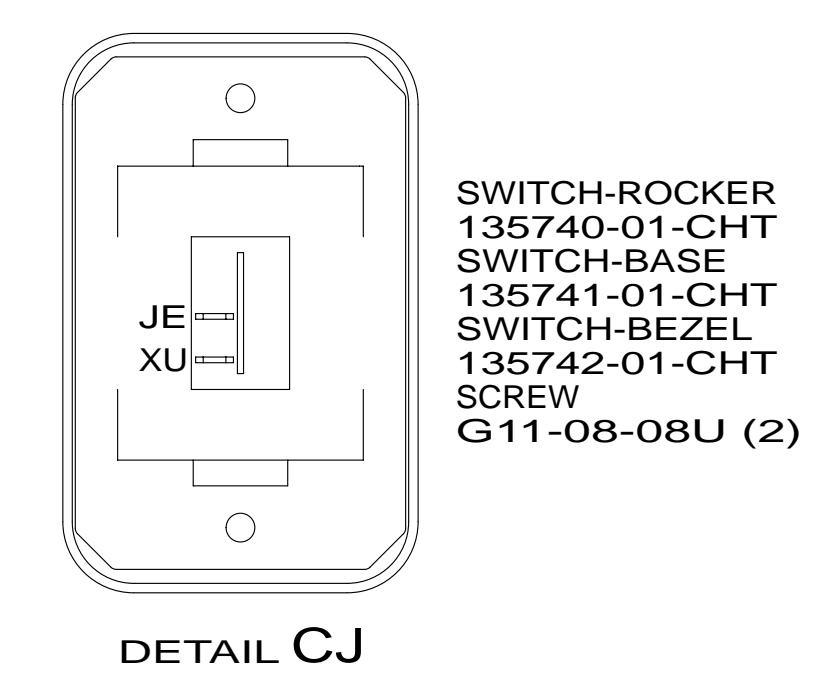
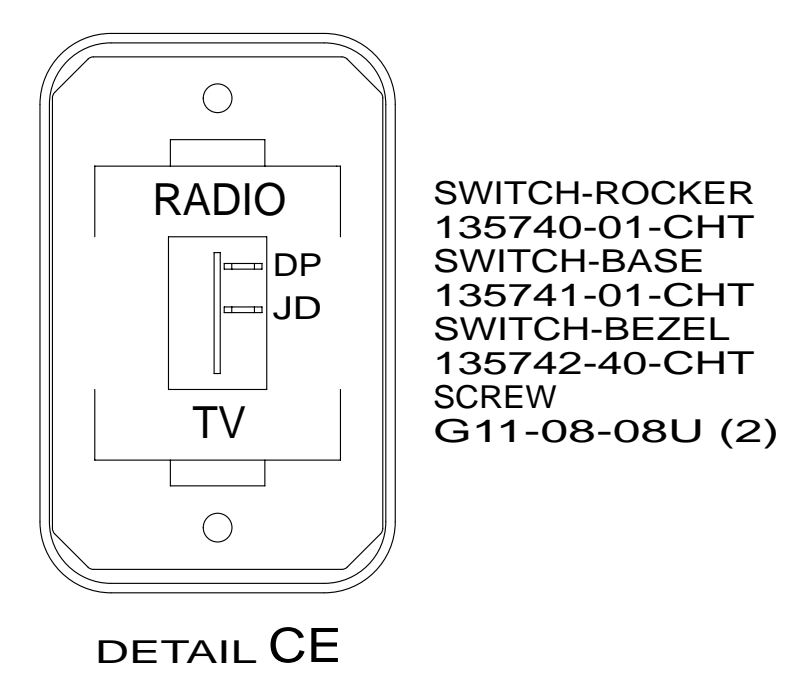
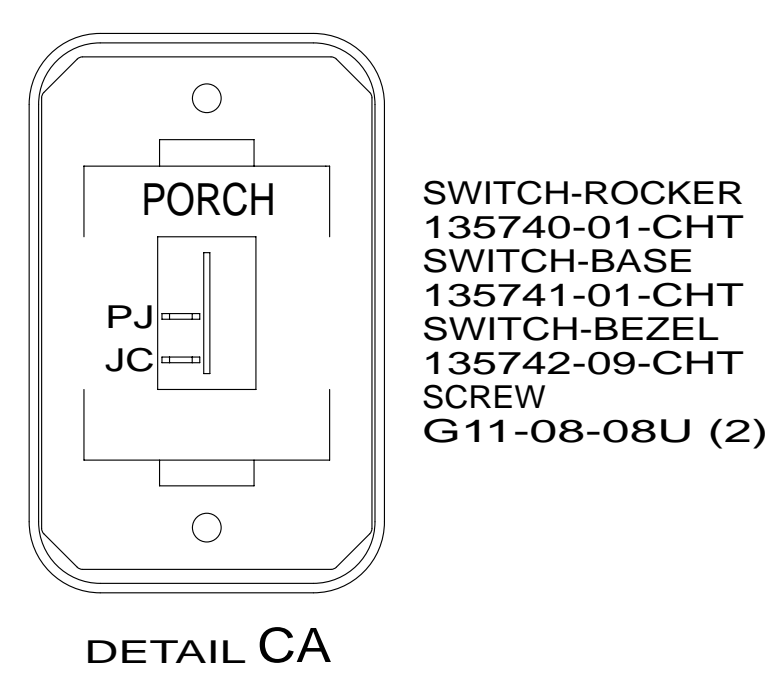
FOR ELECTRICAL TORQUE SPECIFICATIONS SEE DWG NO. 128783-01-000

FOR ELECTRICAL CALLOUTS SEE DWG NO. 121339-01-000

- 53B WTR HTR-6GAL ELECTRIC/LP GAS
- 265 CODES/STANDARDS-CSA/CMVSS
- 1B1 CODES/STANDARDS USA

|                               |                    |
|-------------------------------|--------------------|
| FIRST USED                    | 14 170A            |
| DO NOT SCALE DRAWING          |                    |
| TITLE: WIRING INSTL-BODY, 12V |                    |
| SHEET 2                       | PART NO 185394 REV |

\* 185394 \*



- 53B WTR HTR-6GAL ELECTRIC/LP GAS
- 265 CODES/STANDARDS-CSA/CMVSS
- 1B1 CODES/STANDARDS USA

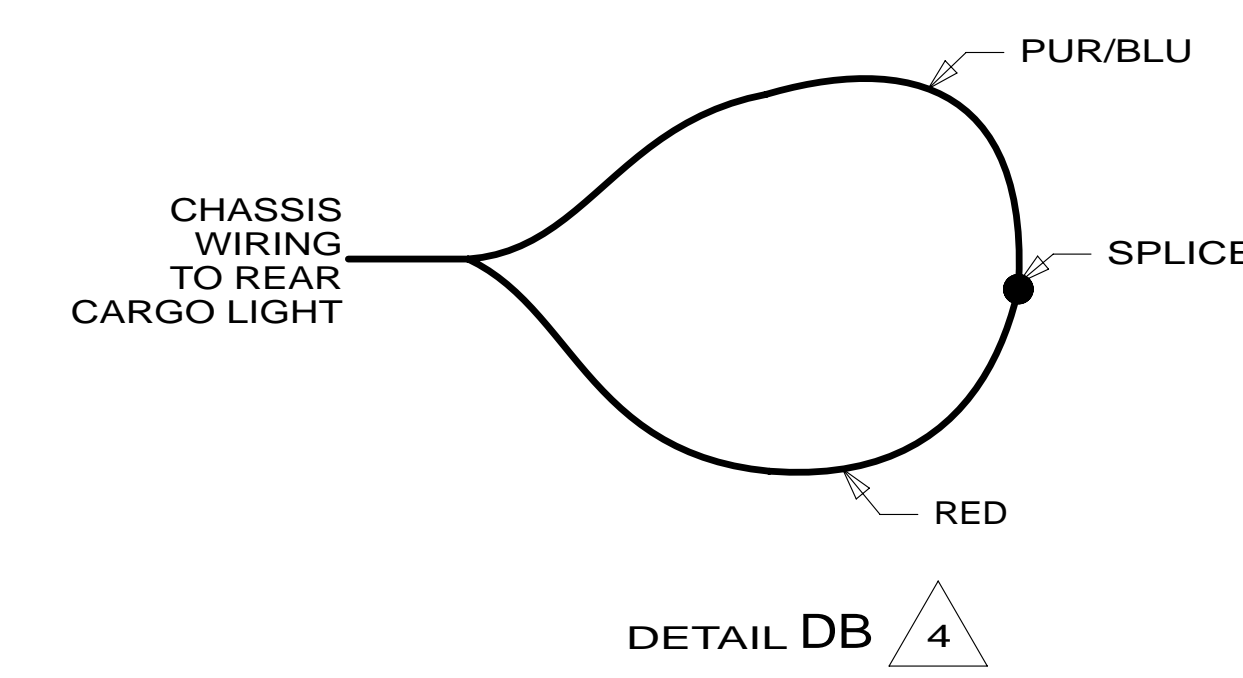
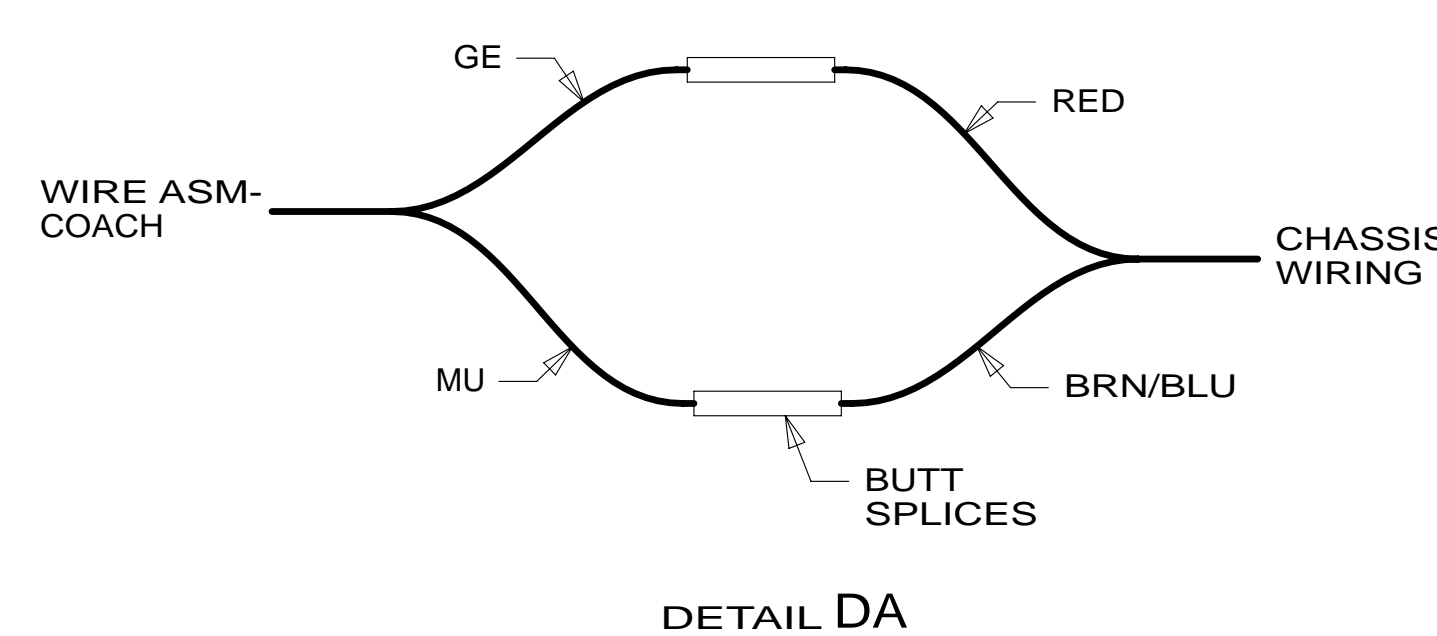
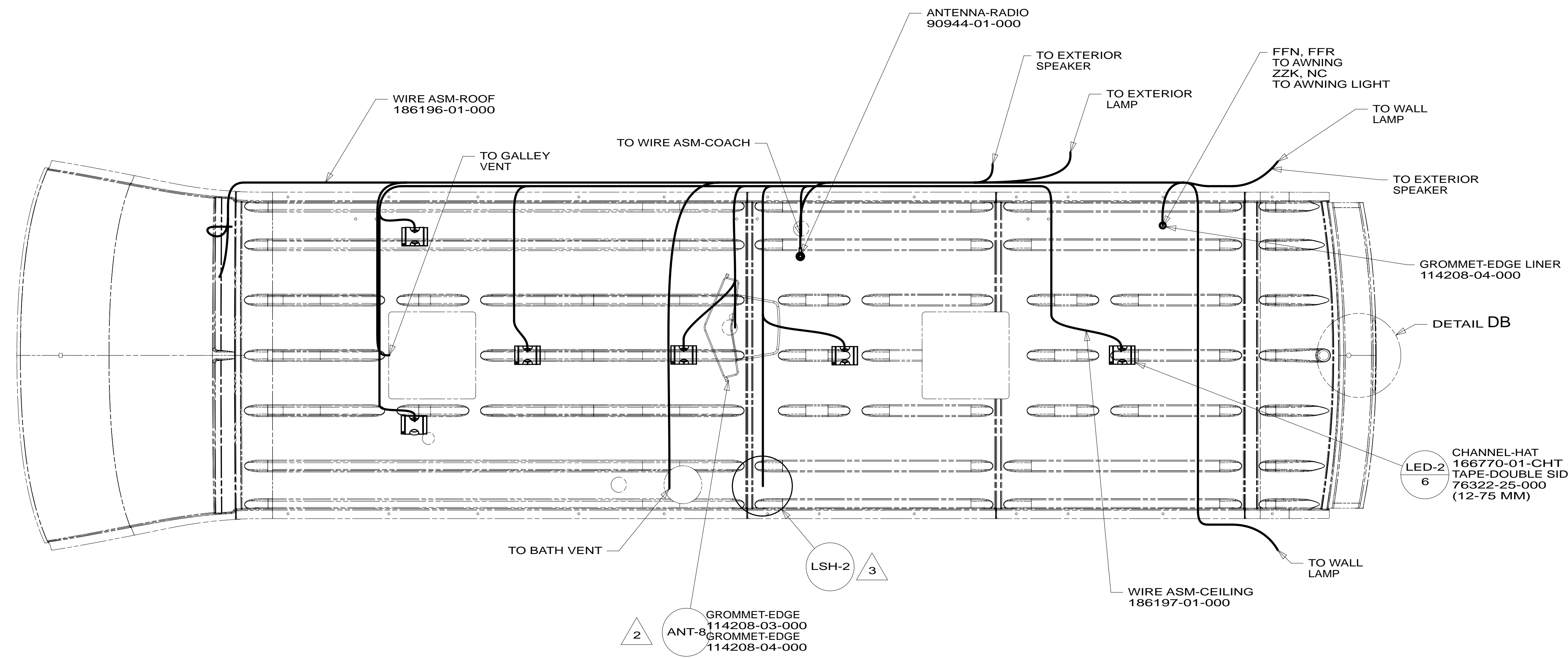
|                                      |                           |
|--------------------------------------|---------------------------|
| 1B1                                  | 265                       |
| FIRST USED                           |                           |
| <b>14 170A</b>                       |                           |
| DO NOT SCALE DRAWING                 |                           |
| TITLE: <b>WIRING INSTL-BODY, 12V</b> |                           |
| SHEET 3                              | PART NO <b>185394</b> REV |
| 05-May-2014                          |                           |

FOR ELECTRICAL TORQUE SPECIFICATIONS SEE DWG NO. 128783-01-000

FOR ELECTRICAL CALLOUTS SEE DWG NO. 121339-01-000

- NOTES:
- 2. CIRCUIT FROM WIRE ASM-COACH
  - 1. CIRCUIT FROM WIRE ASM-CHASSIS

\* 185394 \* A



- 4 REMOVE REAR CARGO LAMP. CUT THE RED AND 'PUR/BLU' WIRES AND SPLICE TOGETHER.
- 3 MOUNTED ON INTERIOR SURFACE OF ROOF.
- 2 MOUNTED ON EXTERIOR SURFACE OF ROOF.

1. ALL WIRES TO BE SECURED WITH CLAMP 10495 OR 10497 OR WIRE TIE 8343 OR 108046 EVERY 600MM, USE SCREW G67-XX-XXX OR G56-XX-XXX AS APPROPRIATE FOR ONSTALLATION.

NOTES:

FOR ELECTRICAL TORQUE SPECIFICATIONS SEE DWG NO. 128783-01-000

FOR ELECTRICAL CALLOUTS SEE DWG NO. 121339-01-000

|     |                           |
|-----|---------------------------|
| 265 | CODES/STANDARDS-CSA/CMVSS |
| 1B1 | CODES/STANDARDS USA       |
| 1B1 | 265                       |

|                               |                           |
|-------------------------------|---------------------------|
| FIRST USED                    | <b>14 170A</b>            |
| <b>DO NOT SCALE DRAWING</b>   |                           |
| <b>WIRING INSTL-BODY, 12V</b> |                           |
| SHEET 4                       | PART NO <b>185394</b> REV |

\* 185394 \* A