



DANGER

Danger of electrical shock, burns or death. Always remove all power sources before attempting any repair, service or diagnostic work. Power can be present from shore power, generator, inverter or battery. All power sources must be disabled and secured before performing any service.

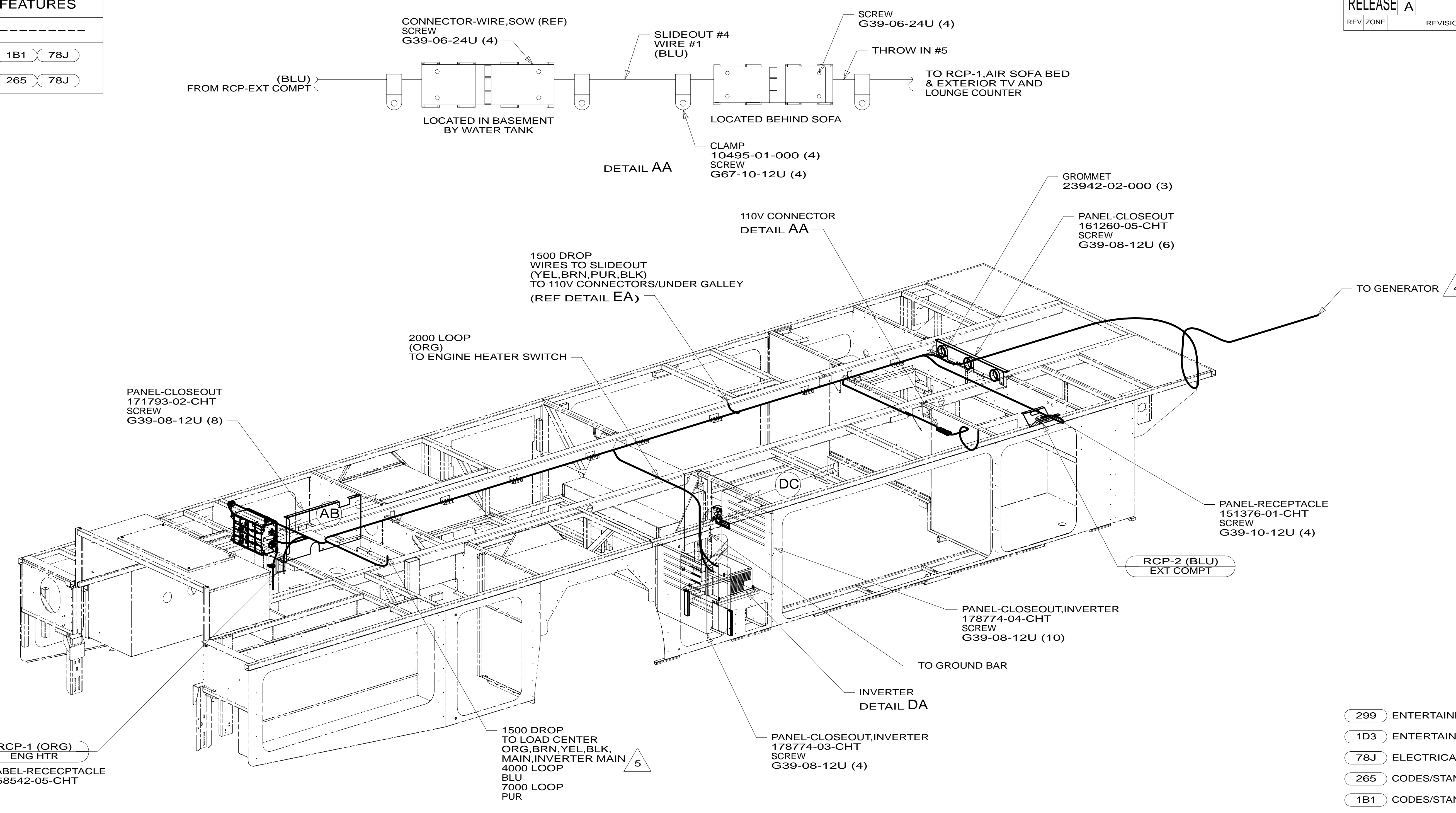


CAUTION

If you lack the skills, tools or equipment to perform diagnostic or repair work leave such work to an authorized Winnebago Industries dealer or other qualified shop.

DRAWING NO.	FEATURES
184894-01	-----
184894-12	1B1 78J
184894-16	265 78J

RELEASE	REV/DATE	DWG NO	184894
REV ZONE	REVISION RECORD	DATE	DFT-ORIG



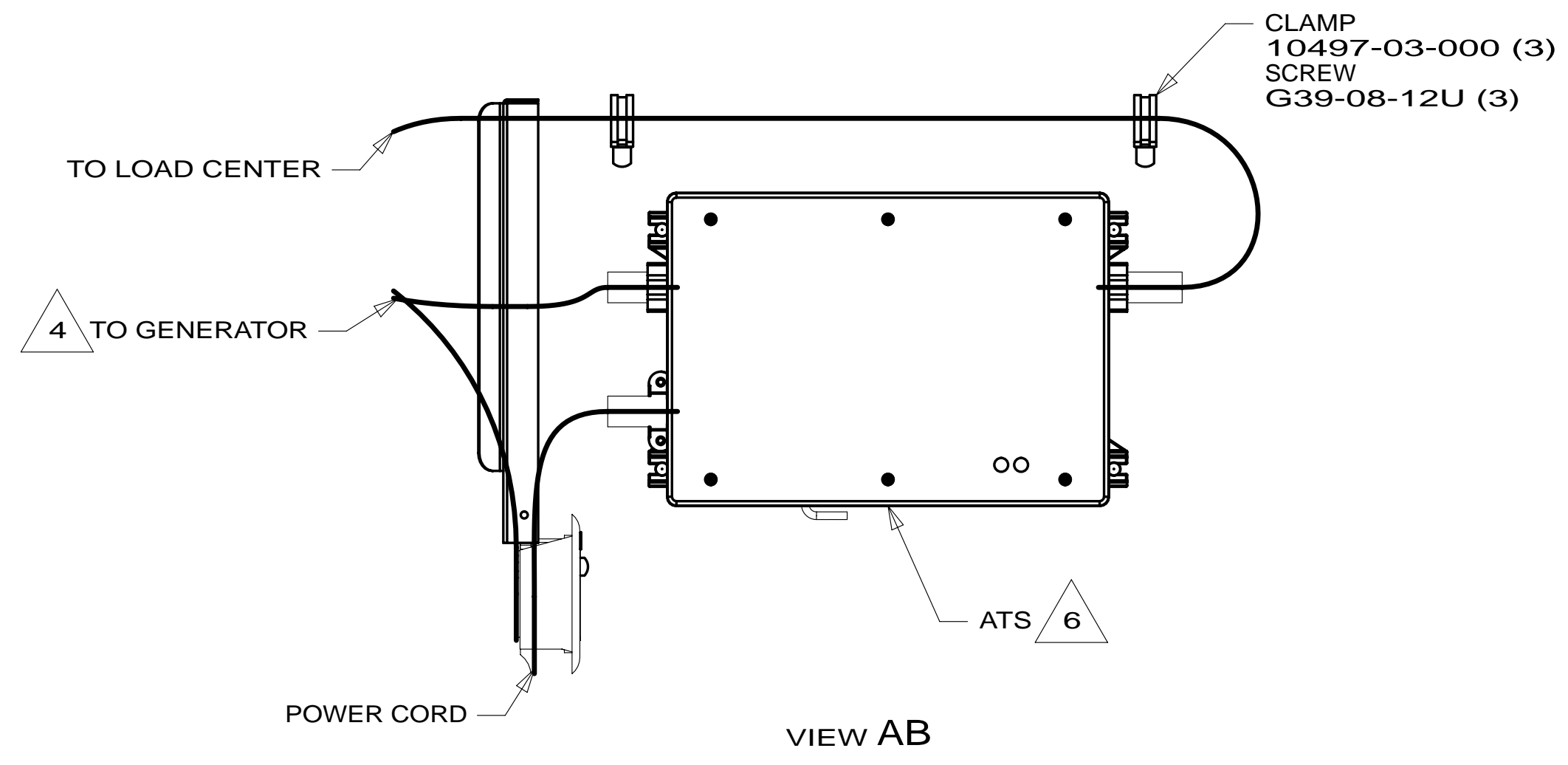
- 299 ENTERTAINMENT CENTER EXT.W/O
- 1D3 ENTERTAIN CENTR/EXT TV-DVD
- 78J ELECTRICAL SYSTEM-50 AMP
- 265 CODES/STANDARDS-CSA/CMVSS
- 1B1 CODES/STANDARDS USA

1B1 265

WINNEBAGO COPYRIGHT 2013 WINNEBAGO INDUSTRIES, INC.

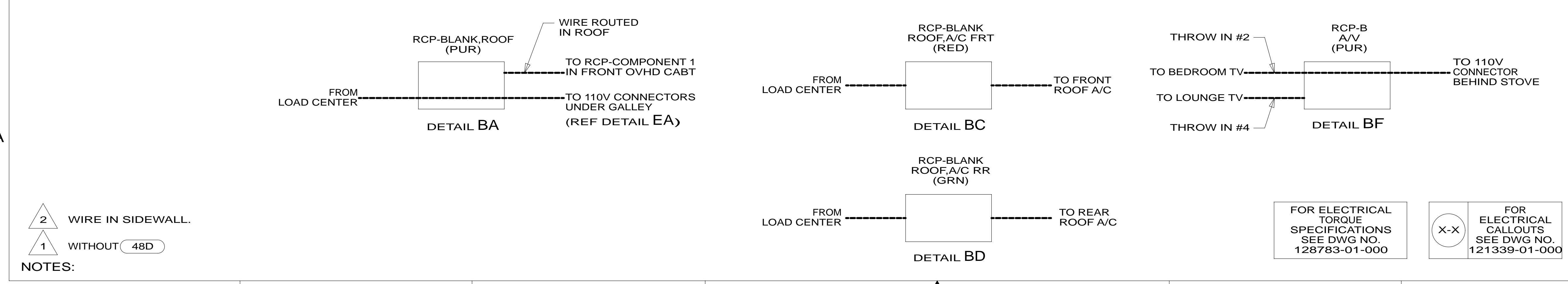
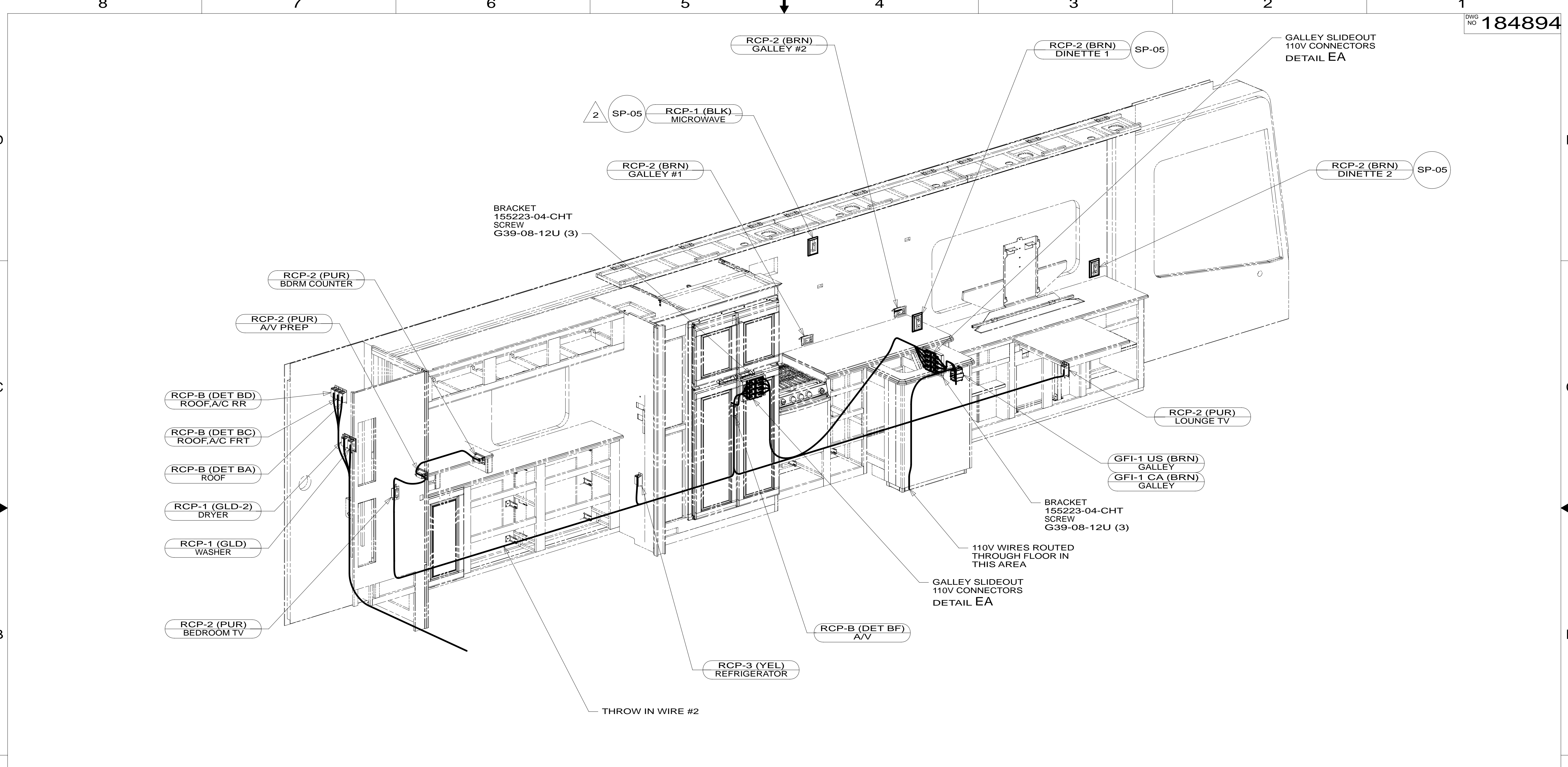
DFT-ORIG	ORIG. DATE
CHKR	ALL DIMENSIONS ARE IN MILLIMETERS
P.E.	FIRST USED
M.E.	14 P34B
DSNR	MATERIAL:
UNSPECIFIED TOLERANCES ARE:	
WHOLE DIM (X)	: 3
ONE-PLACE (X.X)	: 1.5
TWO-PLACE (X.XX)	: 0.50
ANGLE	: 1°
THIRD ANGLE PROJECTION	
DO NOT SCALE DRAWING	REFER TO ES0018 FOR FASTENER TIGHTENING GUIDELINES
TITLE: WIRING INSTL-BODY, 110V	
SHEET 1 OF 6	PART NO 184894 REV

- 6 SEE LOAD CENTER/ATS ASM FOR ADDITIONAL INFORMATION.
- 5 TO ABOVE FLOOR.
- 4 SEE GENERATOR INSTL FOR ADDITIONAL INFORMATION.
3. WIRES THAT REST ON WIRE TRAYS ARE TO BE TIED DOWN WITH WIRE TIE 8343-04-000.
 2. CLAMP TO FLOOR SUPPORT TUBES AS NECESSARY WITH CLAMP 10497-01-000.
 1. ALL WIRES TO BE SECURED WITH CLAMP 10495 OR 10497 OR WIRE TIE 8343 OR 108046 EVERY 600 MM. USE SCREW G67-XX-XXX OR G56-XX-XXX AS APPROPRIATE FOR INSTALLATION.



FOR ELECTRICAL TORQUE SPECIFICATIONS SEE DWG NO. 128783-01-000

X-X FOR ELECTRICAL CALLOUTS SEE DWG NO. 121339-01-000



NOTES:
 2 WIRE IN SIDEWALL.
 1 WITHOUT 48D

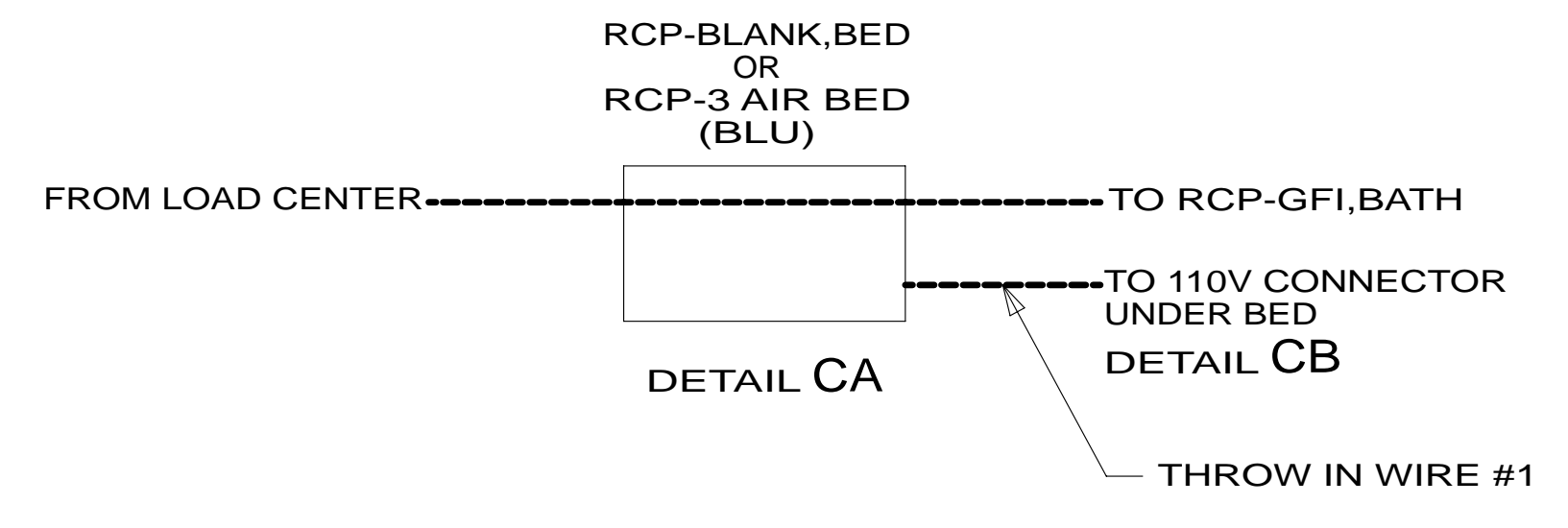
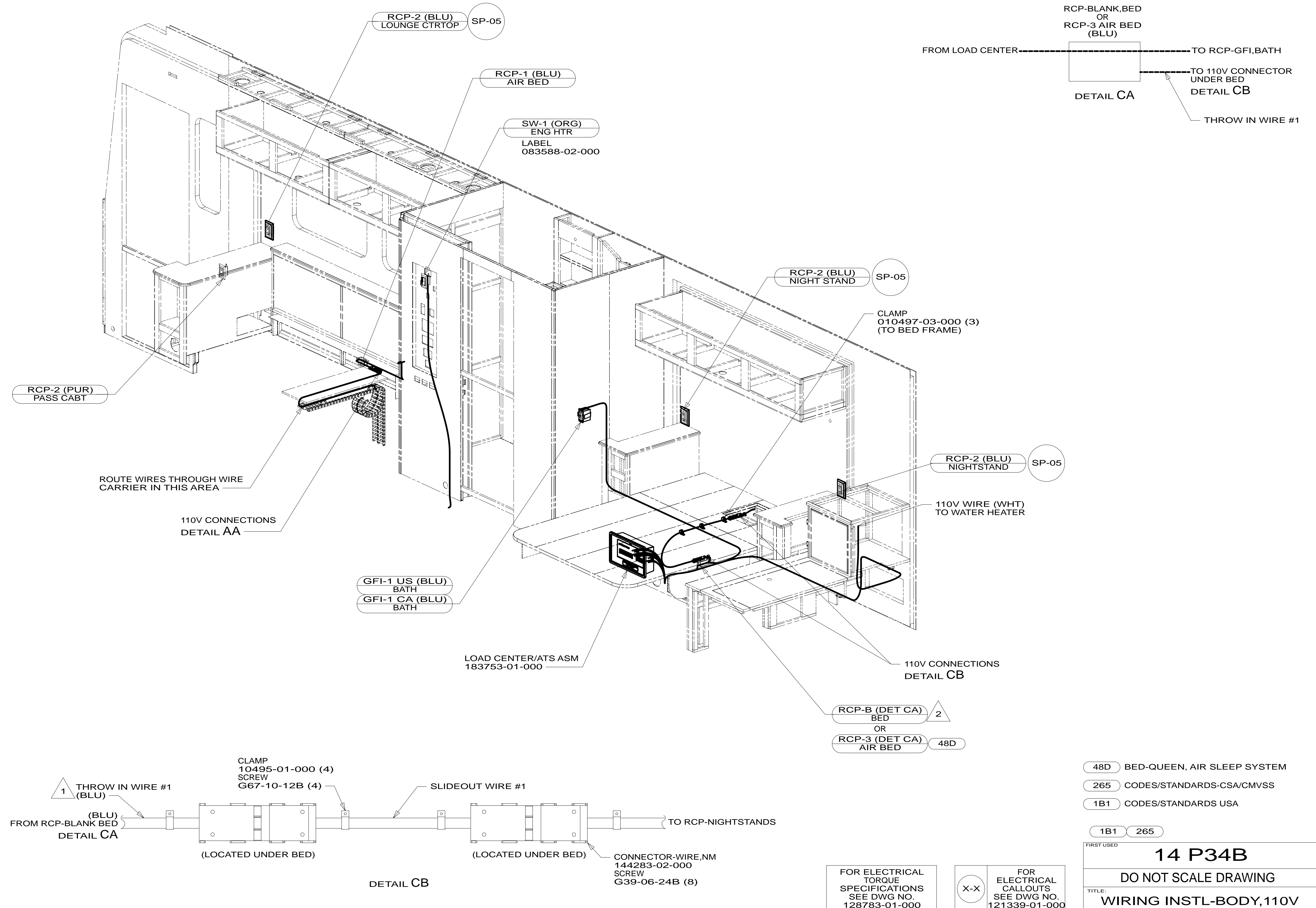
FOR ELECTRICAL TORQUE SPECIFICATIONS SEE DWG NO. 128783-01-000

FOR ELECTRICAL CALLOUTS SEE DWG NO. 121339-01-000

- 48D BED-QUEEN, AIR SLEEP SYSTEM
- 48A BED-QUEEN, INNERSPRING
- 21P DINING TABLE/BUFFET/CHAIRS
- 146 DINETTE-SECTIONAL/EXTEND TBL
- 265 CODES/STANDARDS-CSA/CMVSS
- 1B1 CODES/STANDARDS USA

FIRST USED	
14 P34B	
DO NOT SCALE DRAWING	
TITLE: WIRING INSTL-BODY, 110V	
SHEET 2	PART NO 184894 REV

* 184894 * A

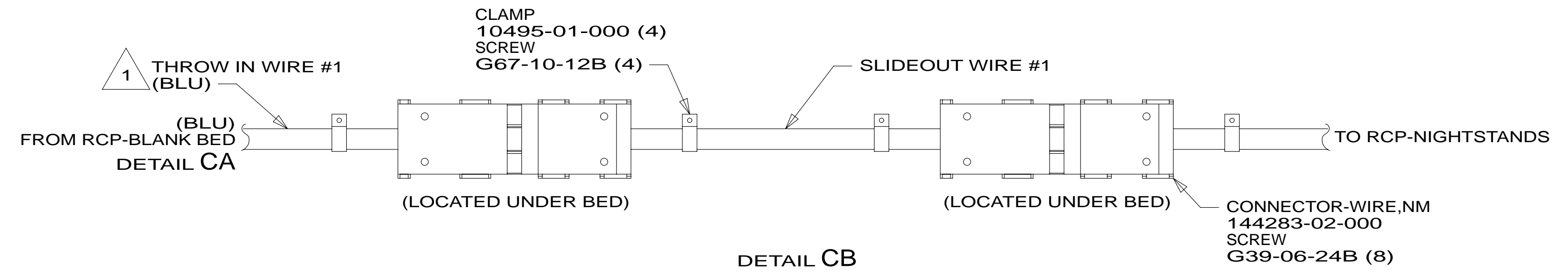


ROUTE WIRES THROUGH WIRE CARRIER IN THIS AREA

110V CONNECTIONS
DETAIL AA

LOAD CENTER/ATS ASM
183753-01-000

110V CONNECTIONS
DETAIL CB



- 48D BED-QUEEN, AIR SLEEP SYSTEM
- 265 CODES/STANDARDS-CSA/CMVSS
- 1B1 CODES/STANDARDS USA

1B1	265
FIRST USED	
14 P34B	
DO NOT SCALE DRAWING	
TITLE: WIRING INSTL-BODY, 110V	
SHEET 3	PART NO 184894 REV

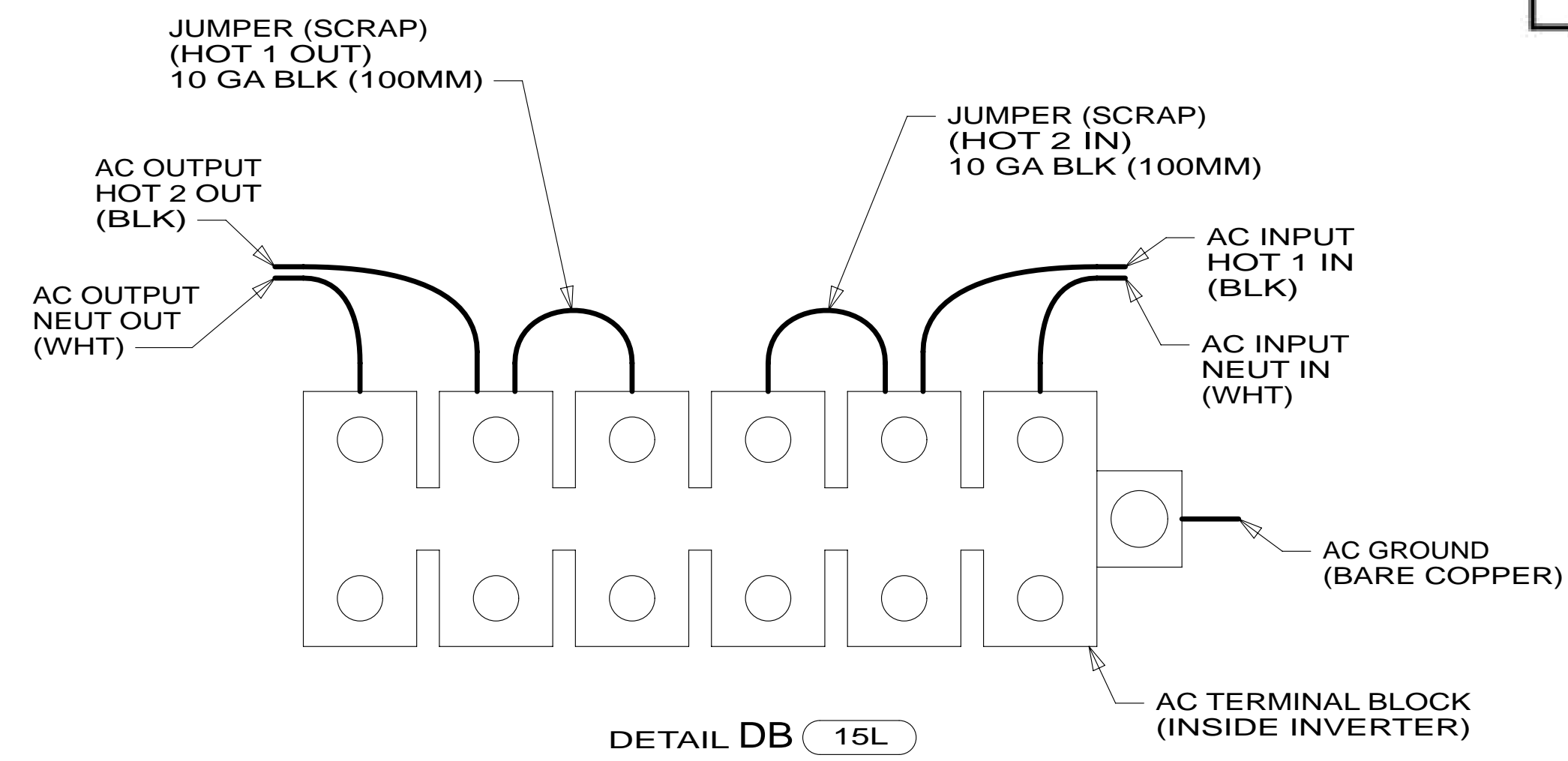
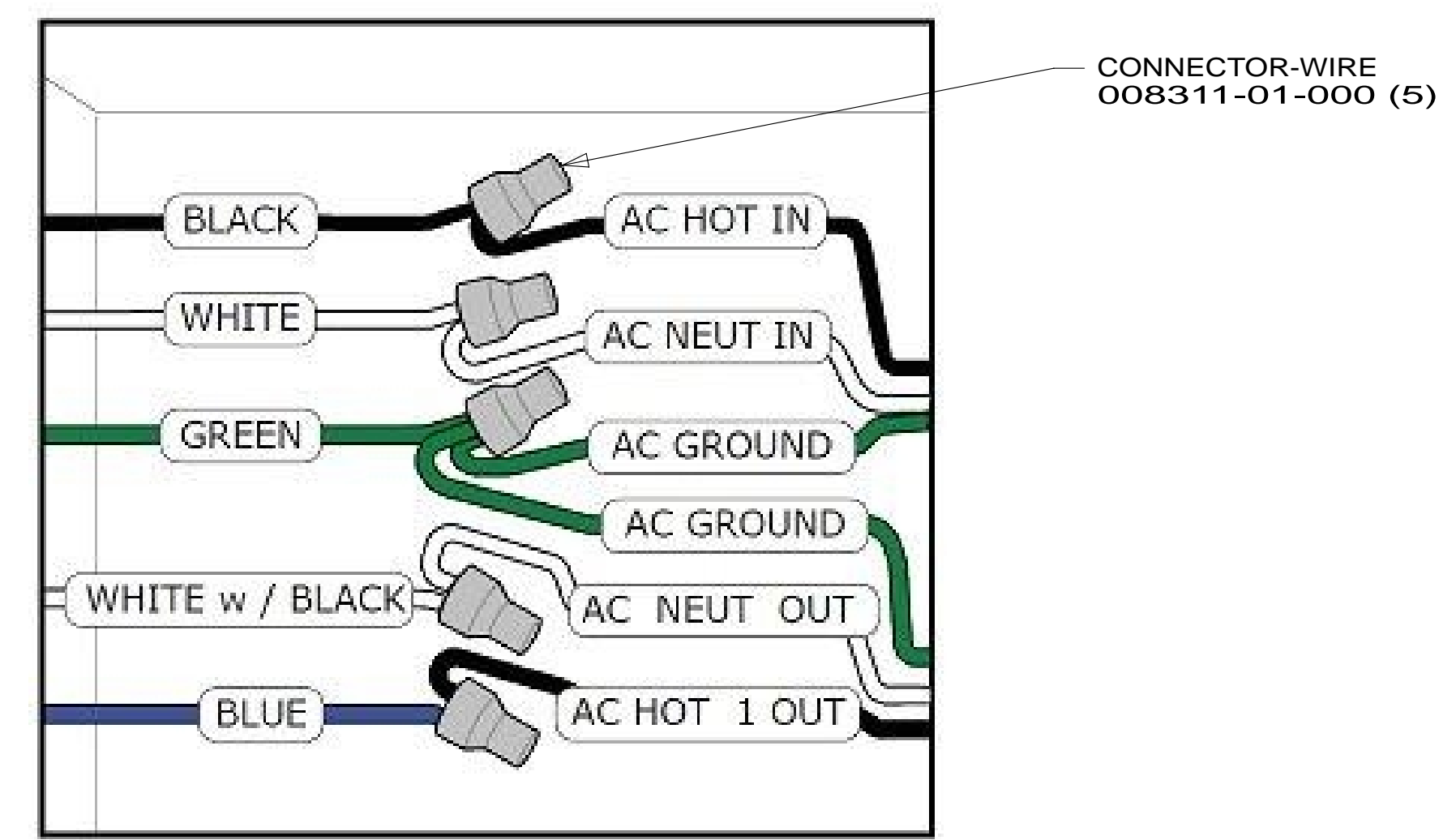
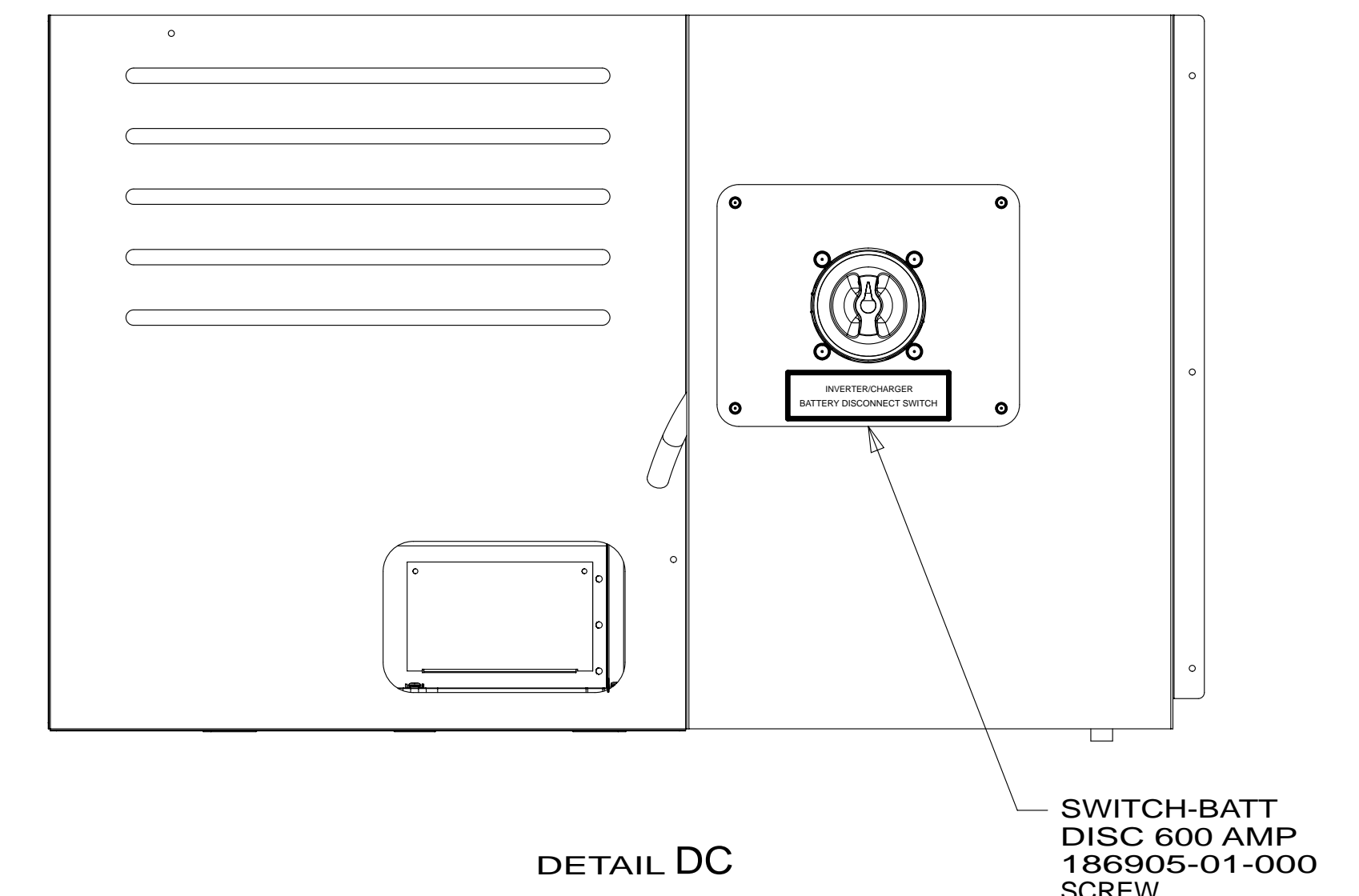
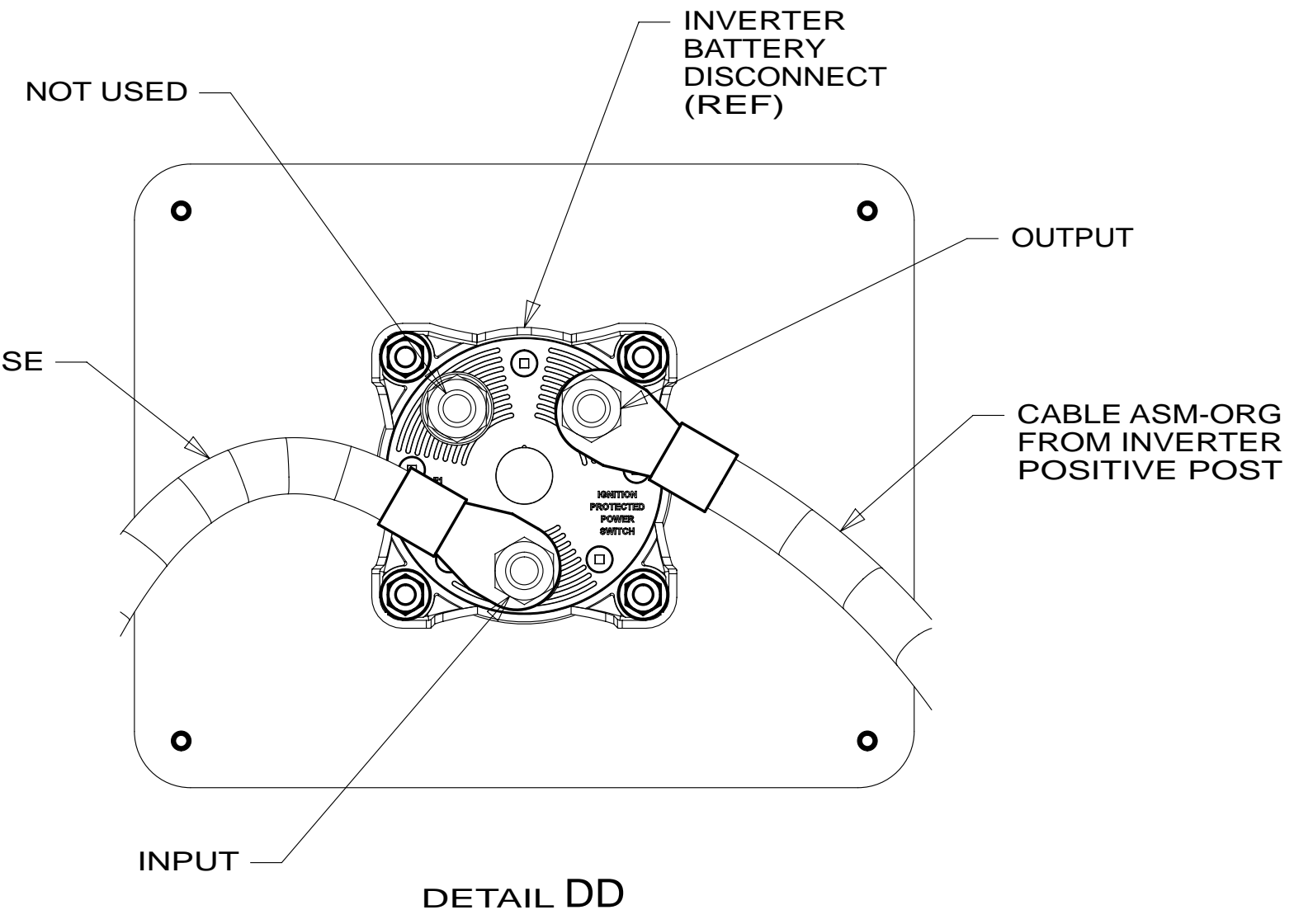
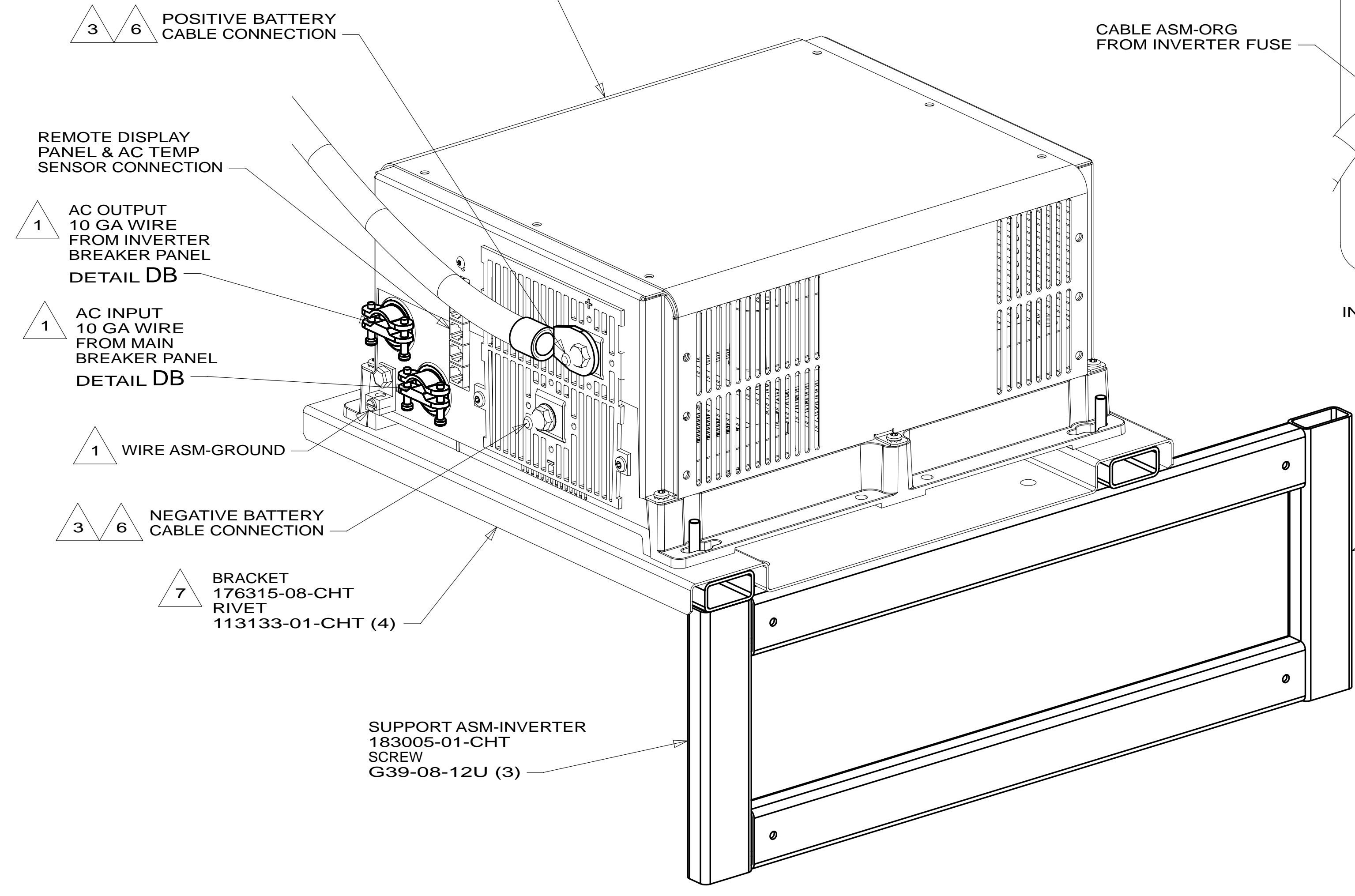
FOR ELECTRICAL TORQUE SPECIFICATIONS SEE DWG NO. 128783-01-000

FOR ELECTRICAL CALLOUTS SEE DWG NO. 121339-01-000

- NOTES:
- 2 WITHOUT 48D
 - 1 WIRE IN SIDEWALL.

* 184894 * A

79W → INVERTER
 15L → 175386-02-000
 15L → 175386-01-000
 NUT
 D39-06-00U (4)



- NOTES:
- 7 BRACKET IS LOCATED BY HOLES ON PANEL.
 - 6 DO NOT USE POWER/AIR TOOL TO INSTALL NUT. TORQUE TO 10-12 FT LBS.
 - 5 CABLES PART OF WIRE ASM-COACH.
 - 4 SEE INVERTER/CHARGER OWNER'S MANUAL FOR ADDITIONAL INFORMATION.
 - 3 SEE WIRING INSTL-CHASSIS FOR ADDITIONAL INFORMATION.
 - 2 USED WITHOUT (13X)
 - 1 SEE LOAD CENTER/ATS ASM FOR ADDITIONAL INFORMATION.

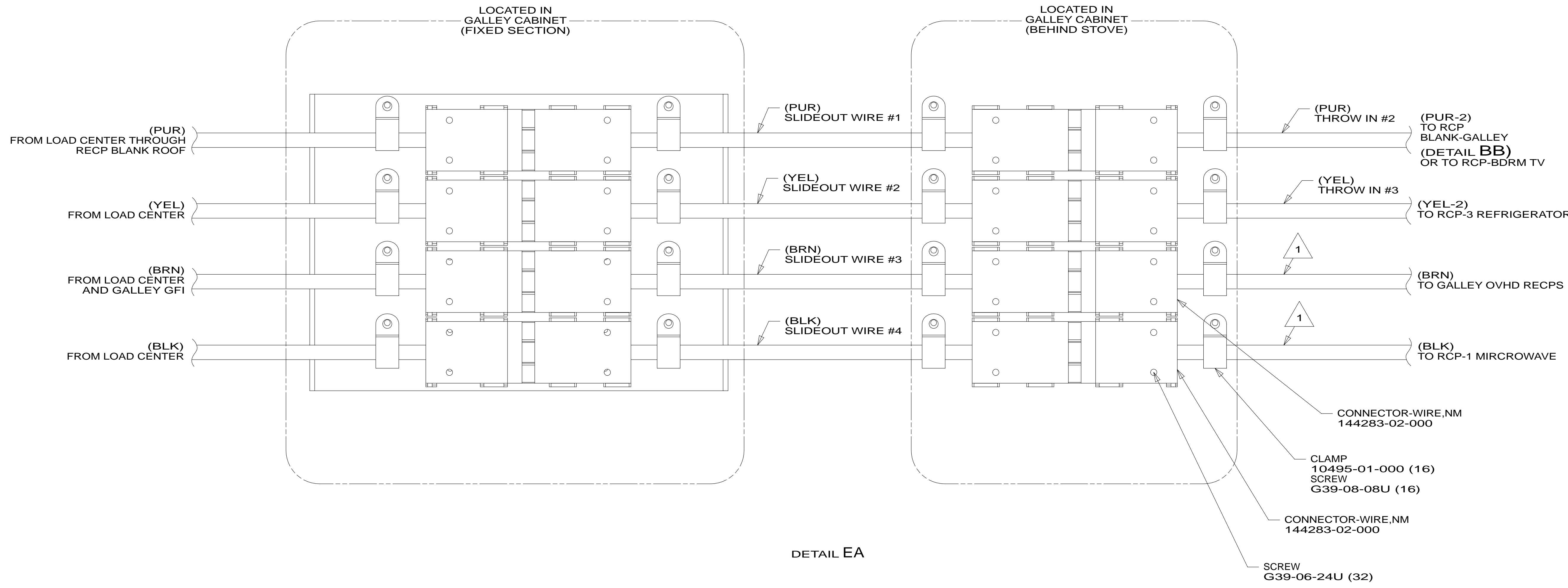
FOR ELECTRICAL TORQUE SPECIFICATIONS SEE DWG NO. 128783-01-000

X-X FOR ELECTRICAL CALLOUTS SEE DWG NO. 121339-01-000

- 79W REFRIGERATOR-4 DOOR
- 15L RESIDENTIAL REFRIGERATOR PKG
- 265 CODES/STANDARDS-CSA/CMVSS
- 1B1 CODES/STANDARDS USA

FIRST USED		14 P34B	
DO NOT SCALE DRAWING			
TITLE: WIRING INSTL-BODY, 110V			
SHEET 4	PART NO	184894	REV
			13-Nov-2013

* 184894 * A



DETAIL EA

- 78J ELECTRICAL SYSTEM-50 AMP
- 265 CODES/STANDARDS-CSA/CMVSS
- 1B1 CODES/STANDARDS USA

1B1 265 78J

FIRST USED
14 P34B

DO NOT SCALE DRAWING

TITLE: **WIRING INSTL-BODY, 110V**

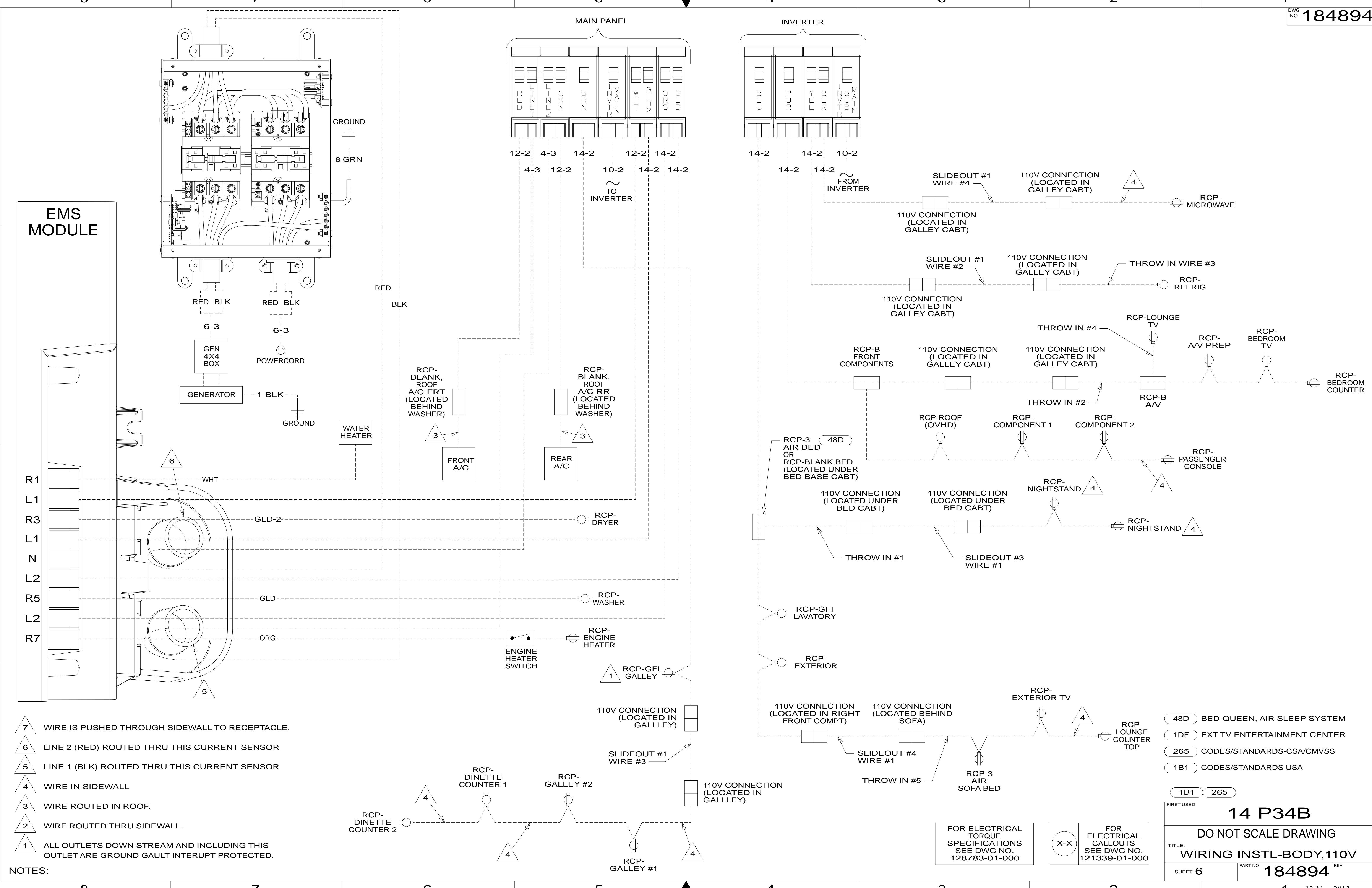
SHEET 5 PART NO **184894** REV

FOR ELECTRICAL TORQUE SPECIFICATIONS SEE DWG NO. 128783-01-000

FOR ELECTRICAL CALLOUTS SEE DWG NO. 121339-01-000

NOTES:
1 WIRE ROUTED IN SIDEWALL.

* 184894 * A



- NOTES:
- 7 WIRE IS PUSHED THROUGH SIDEWALL TO RECEPTACLE.
 - 6 LINE 2 (RED) ROUTED THRU THIS CURRENT SENSOR
 - 5 LINE 1 (BLK) ROUTED THRU THIS CURRENT SENSOR
 - 4 WIRE IN SIDEWALL
 - 3 WIRE ROUTED IN ROOF.
 - 2 WIRE ROUTED THRU SIDEWALL.
 - 1 ALL OUTLETS DOWN STREAM AND INCLUDING THIS OUTLET ARE GROUND GAULT INTERRUPT PROTECTED.

FOR ELECTRICAL TORQUE SPECIFICATIONS SEE DWG NO. 128783-01-000

FOR ELECTRICAL CALLOUTS SEE DWG NO. 121339-01-000

- 48D BED-QUEEN, AIR SLEEP SYSTEM
- 1DF EXT TV ENTERTAINMENT CENTER
- 265 CODES/STANDARDS-CSA/CMVSS
- 1B1 CODES/STANDARDS USA

FIRST USED	
14 P34B	
DO NOT SCALE DRAWING	
TITLE: WIRING INSTL-BODY, 110V	
SHEET 6	PART NO 184894 REV
13-Nov-2013	

* 184894 * A