



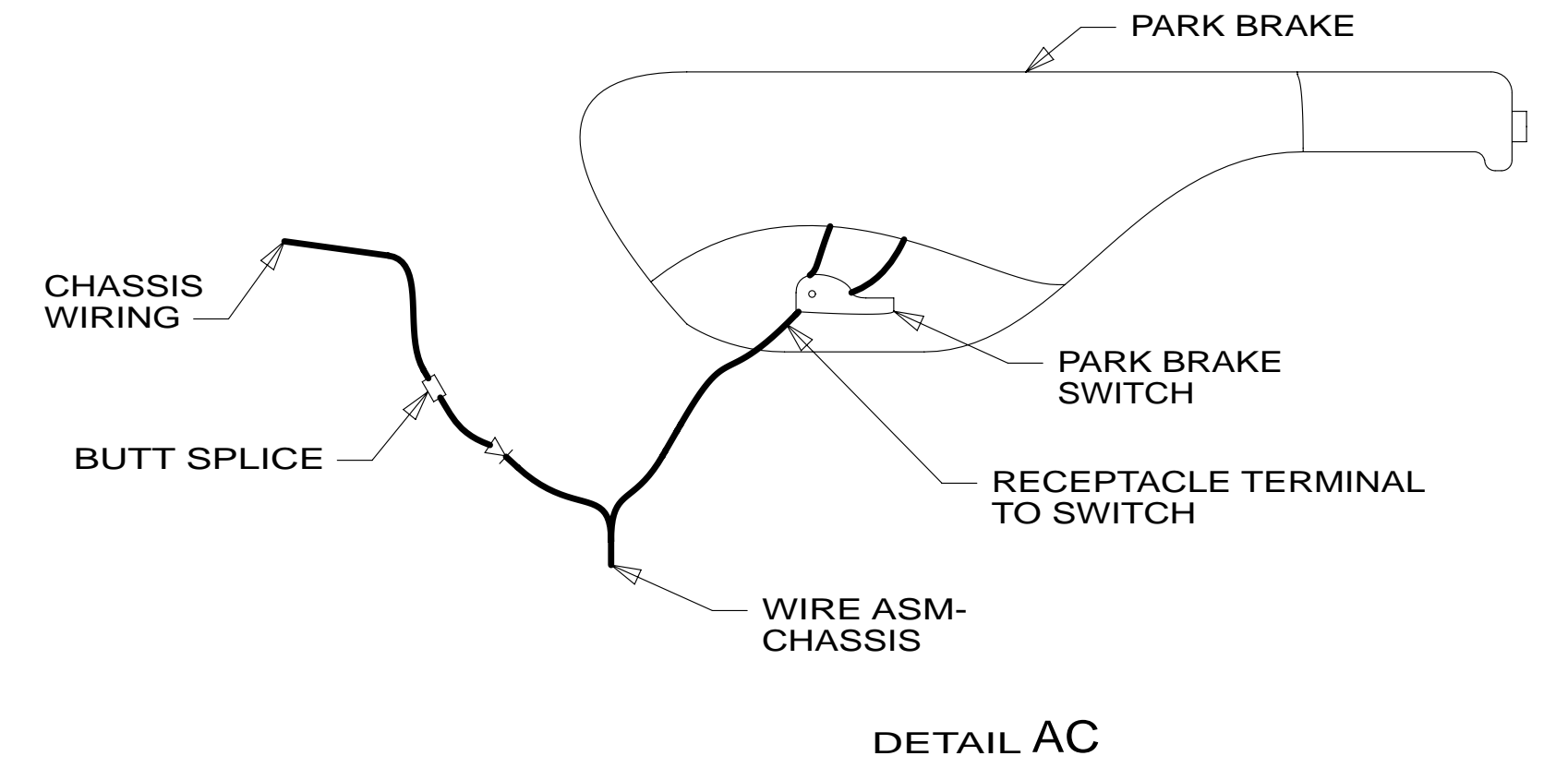
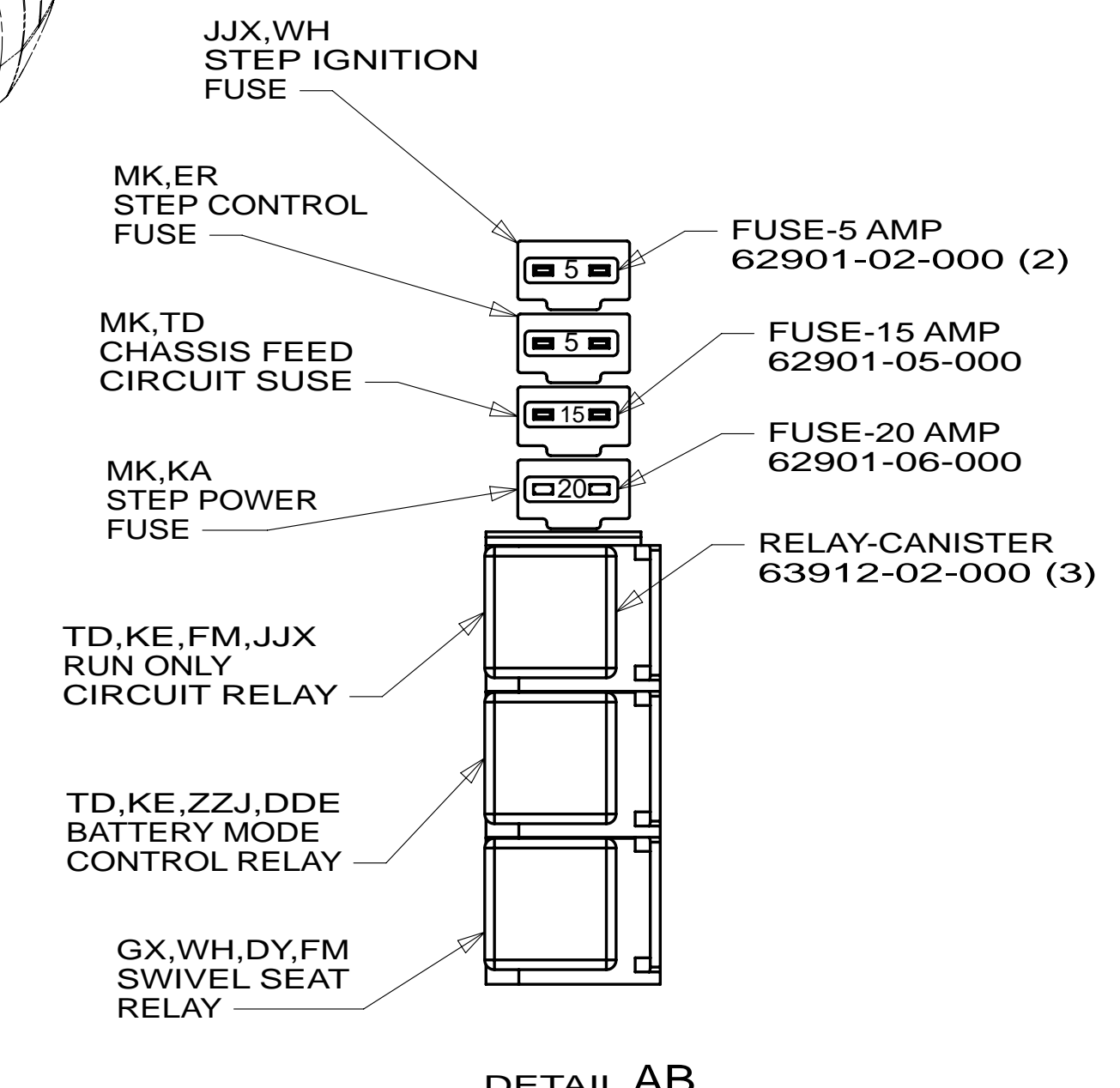
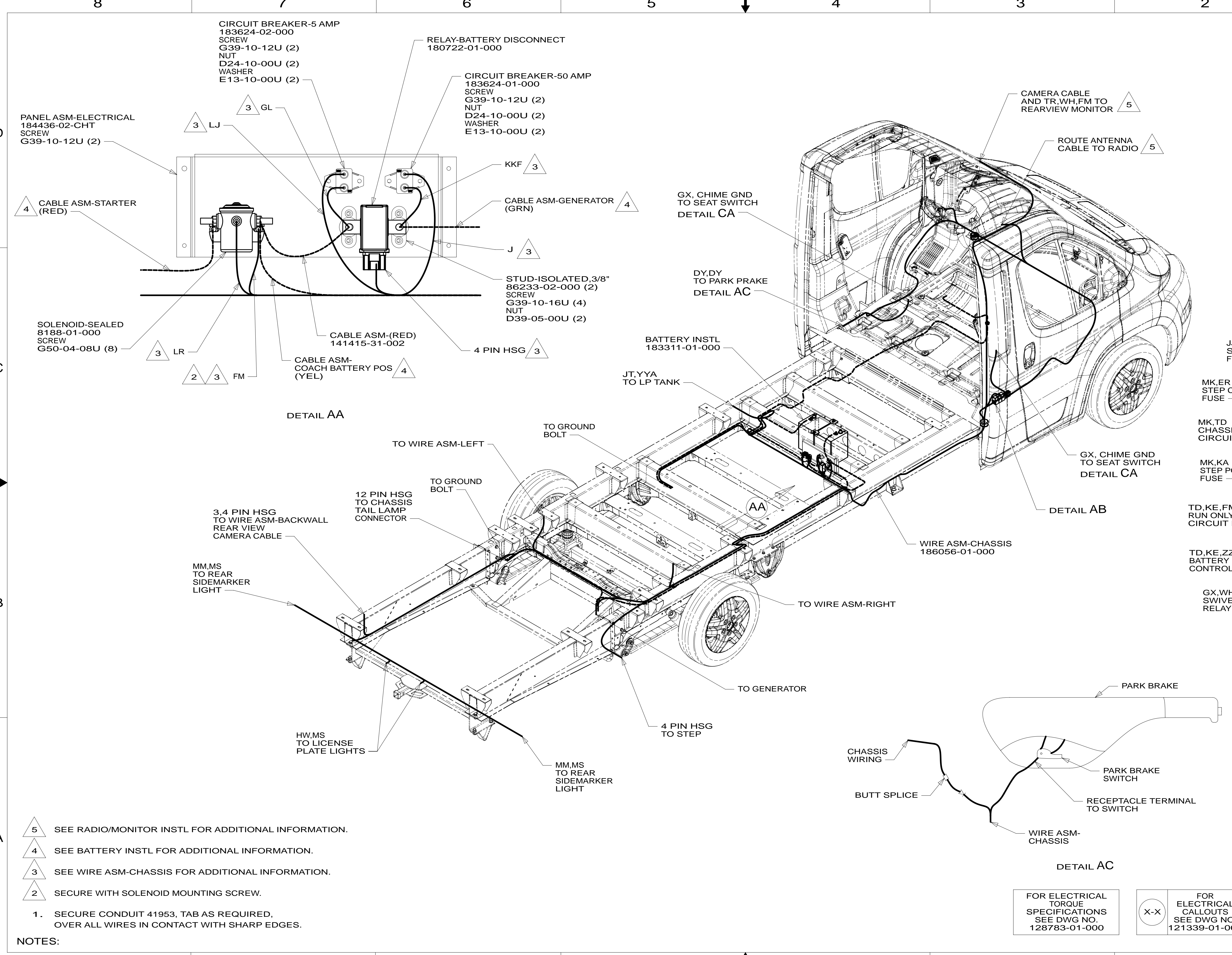
DANGER

Danger of electrical shock, burns or death. Always remove all power sources before attempting any repair, service or diagnostic work. Power can be present from shore power, generator, inverter or battery. All power sources must be disabled and secured before performing any service.



CAUTION

If you lack the skills, tools or equipment to perform diagnostic or repair work leave such work to an authorized Winnebago Industries dealer or other qualified shop.



- NOTES:
- 5 SEE RADIO/MONITOR INSTL FOR ADDITIONAL INFORMATION.
 - 4 SEE BATTERY INSTL FOR ADDITIONAL INFORMATION.
 - 3 SEE WIRE ASM-CHASSIS FOR ADDITIONAL INFORMATION.
 - 2 SECURE WITH SOLENOID MOUNTING SCREW.
 - 1. SECURE CONDUIT 41953, TAB AS REQUIRED, OVER ALL WIRES IN CONTACT WITH SHARP EDGES.

FOR ELECTRICAL TORQUE SPECIFICATIONS SEE DWG NO. 128783-01-000

FOR ELECTRICAL CALLOUTS SEE DWG NO. 121339-01-000

265 CODES/STANDARDS-CSA/CMVSS
 1B1 CODES/STANDARDS USA
 1B1 265

WINNEBAGO
 COPYRIGHT 2014 WINNEBAGO INDUSTRIES, INC.

DFTR	ORIG. DATE
CHKR	ALL DIMENSIONS ARE IN MILLIMETERS
P.E.	FIRST USED
M.E.	14 623B
DSNR	

UNSPECIFIED TOLERANCES ARE:
 WHOLE DIM (X) : 3
 ONE-PLACE (X.X) : 1.5
 TWO-PLACE (X.XX) : 0.50
 ANGLE : 1°

THIRD ANGLE PROJECTION

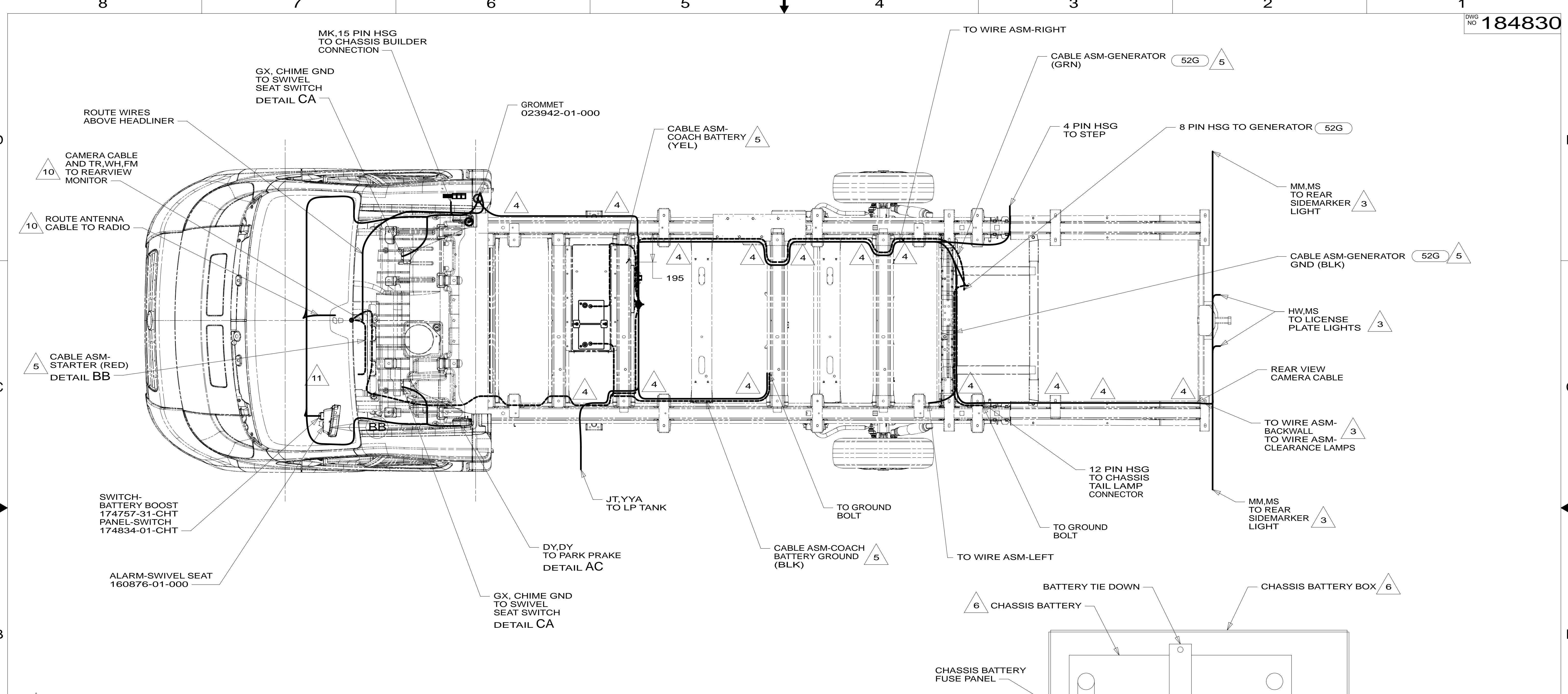
DO NOT SCALE DRAWING REFER TO ES0018 FOR FASTENER TIGHTENING GUIDELINES

TITLE: **WIRING INSTL-CHASSIS**

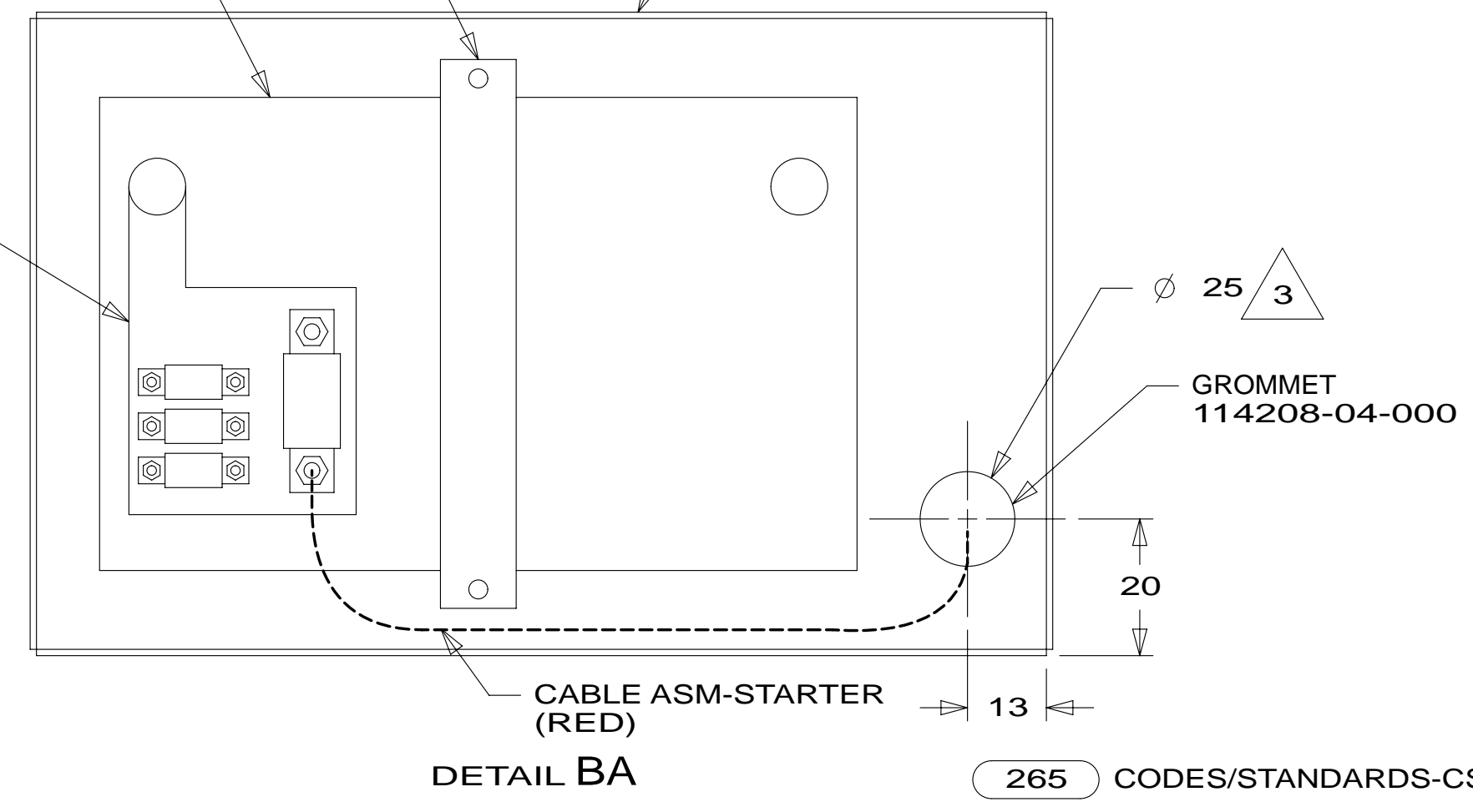
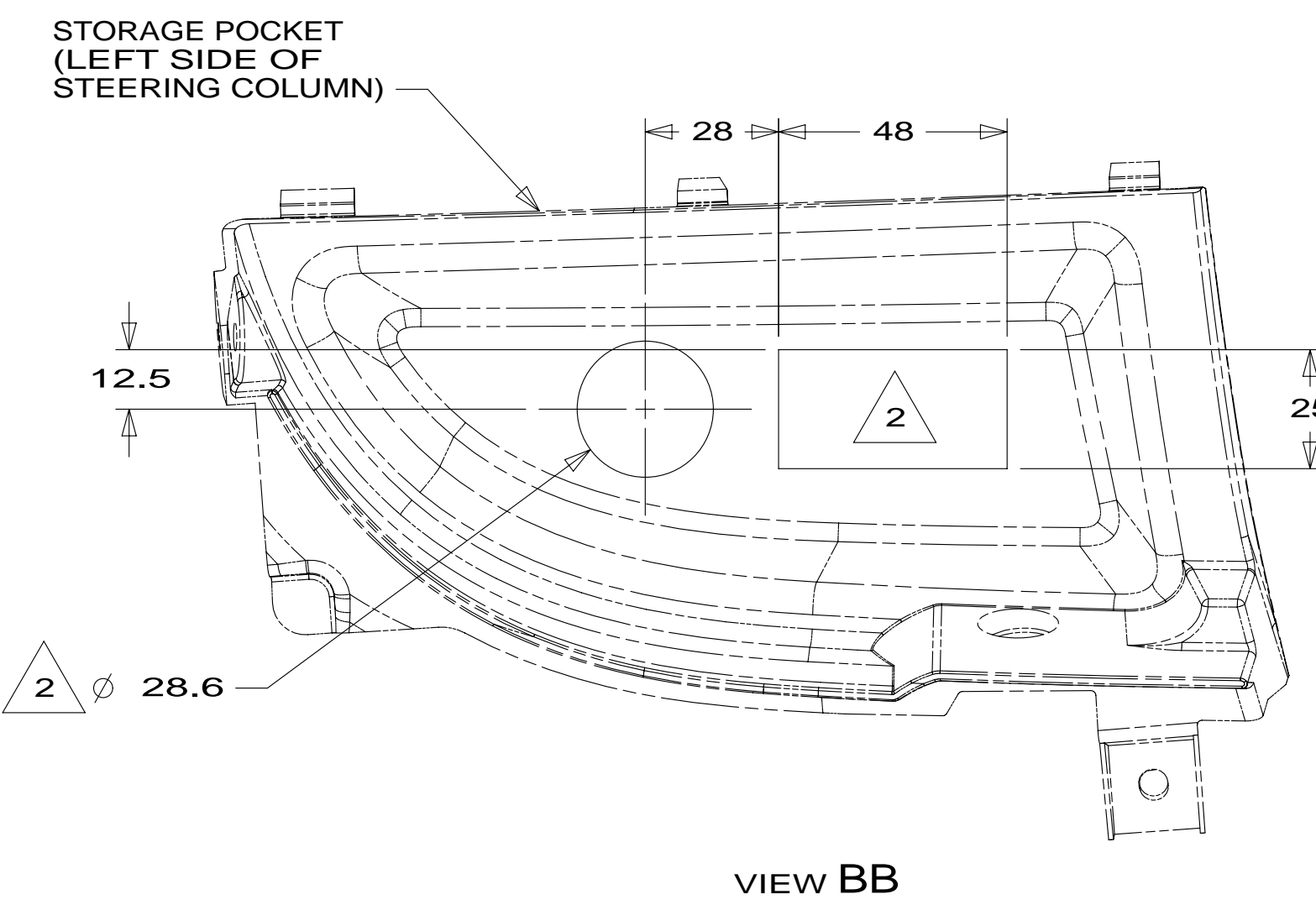
SHEET 1 OF 3 PART NO. 184830 REV 1

REF: 1 25-Mar-2014

* 184830 *



- 11 SECURE WIRE HARNESS WITH CABLE TIE 008343-02-000.
 - 10 SEE RADIO/MONITOR INSTL FOR ADDITIONAL INFORMATION.
 - 9 TIE-WIRE MOUNT 116673-01-000. USE HOLES IN BODY MOUNTS.
 - 8 ROUTE GENERATOR CONTROL CABLE ALONG WIRE ASM-CHASSIS THROUGH FLOOR IN THIS AREA.
 - 7 DRILL HOLE IN BOTTOM OF PLASTIC BATTERY BOX.
 - 6 LOCATED IN CAB FLOOR.
 - 5 SEE BATTERY INSTL FOR ADDITIONAL INFORMATION.
 - 4 CLAMP 83610-02-000, SCREW G39-08-12U.
 - 3 SEE WIRING INSTL-EXTERIOR LAMPS FOR ADDITIONAL INFORMATION.
 - 2 CUTOUT BACKSIDE OF POCKET TO DIMENSION SHOWN.
1. SECURE CONDUIT 41953, TAB AS REQUIRED, OVER ALL WIRES IN CONTACT WITH SHARP EDGES.

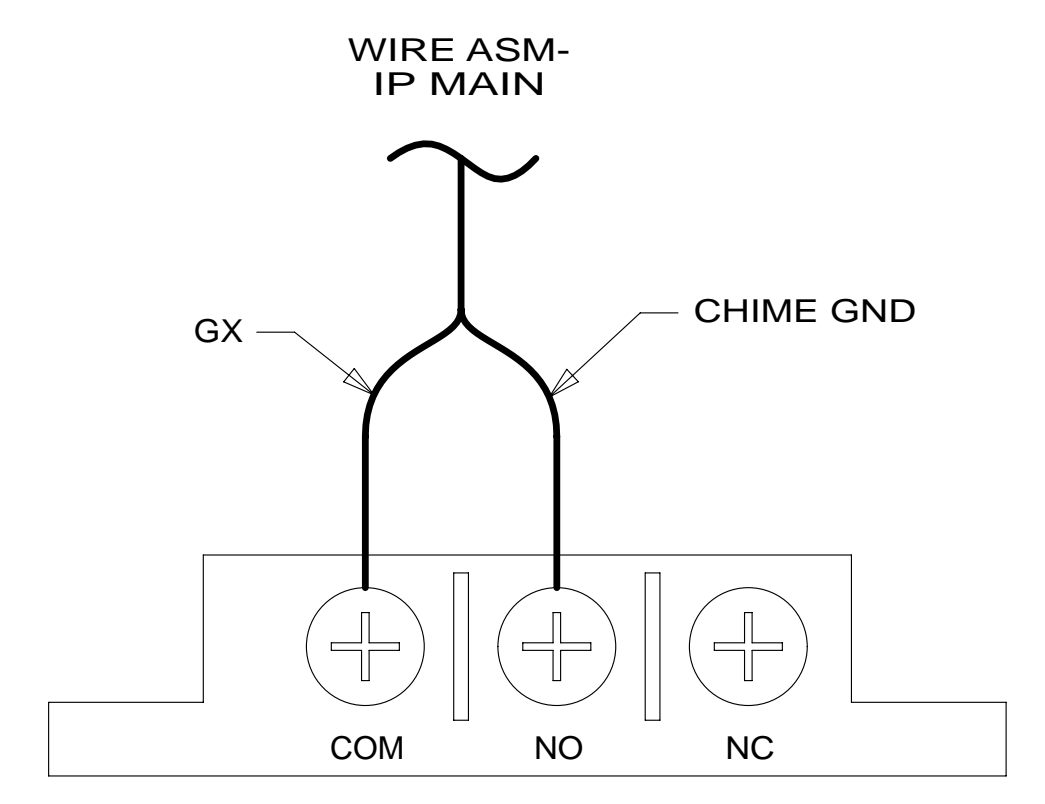


265 CODES/STANDARDS-CSA/CMVSS
 1B1 CODES/STANDARDS USA
 1B1 265

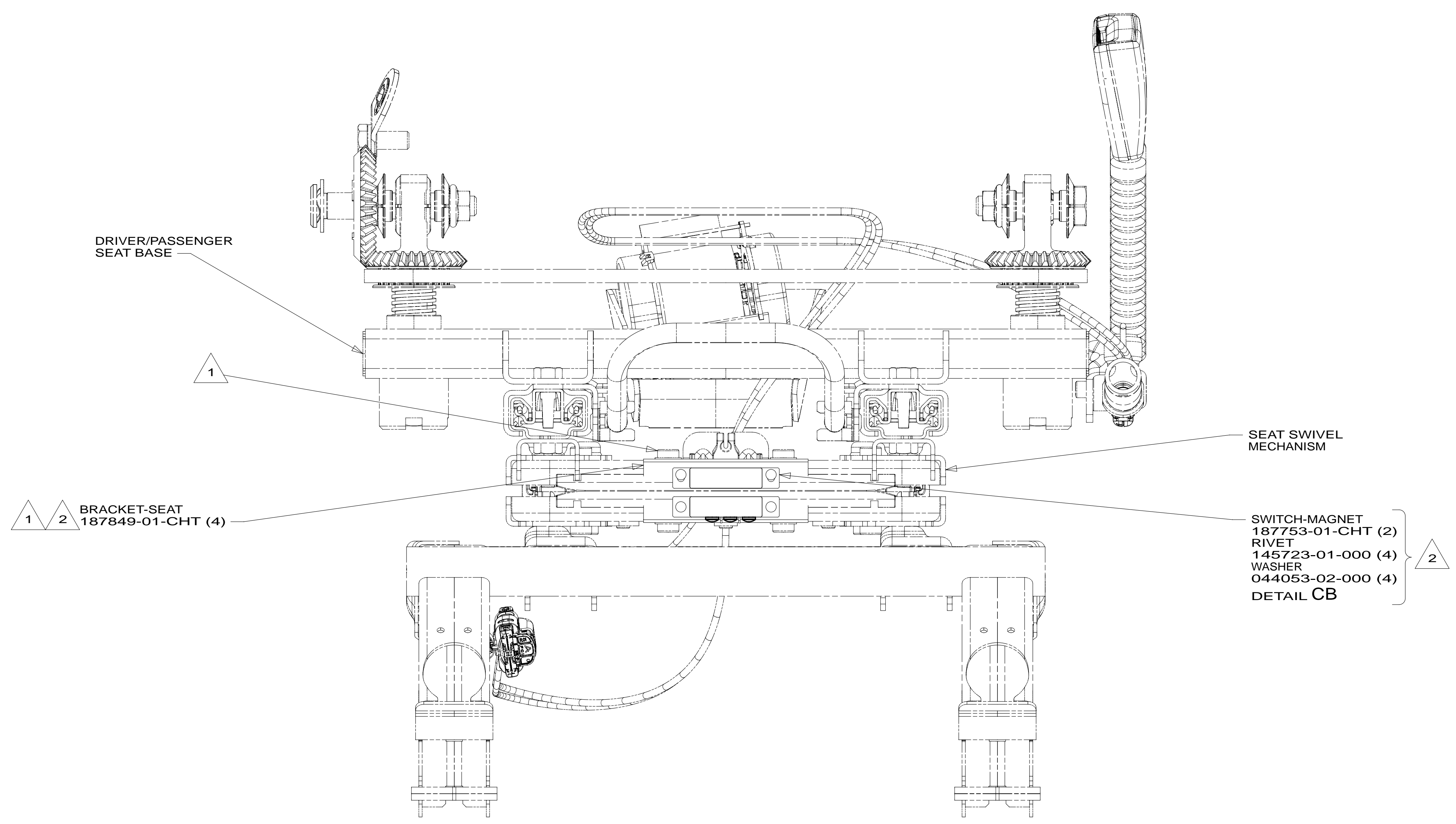
FOR ELECTRICAL TORQUE SPECIFICATIONS SEE DWG NO. 128783-01-000
 X-X
 FOR ELECTRICAL CALLOUTS SEE DWG NO. 121339-01-000

FIRST USED	14 623B	
DO NOT SCALE DRAWING		
TITLE: WIRING INSTL-CHASSIS		
SHEET 2	PART NO 184830	REV
		25-Mar-2014

* 184830 *



DETAIL CB



DETAIL CA

NOTES:

2 INSTALL ON BOTH THE DRIVER AND PASSENGER SEATS.

1 MOUNT BRACKETS TO SEAT SWIVEL MECHANISM BY LOOSENING BOLTS ON BOTH TOP AND BOTTOM OF MECHANISM.

FOR ELECTRICAL TORQUE SPECIFICATIONS SEE DWG NO. 128783-01-000

FOR ELECTRICAL CALLOUTS SEE DWG NO. 121339-01-000

265 CODES/STANDARDS-CSA/CMVSS
1B1 CODES/STANDARDS USA

1B1 265

FIRST USED	14 623B	
TITLE:	DO NOT SCALE DRAWING	
	WIRING INSTL-CHASSIS	
SHEET 3	PART NO 184830	REV

* 184830 * A