



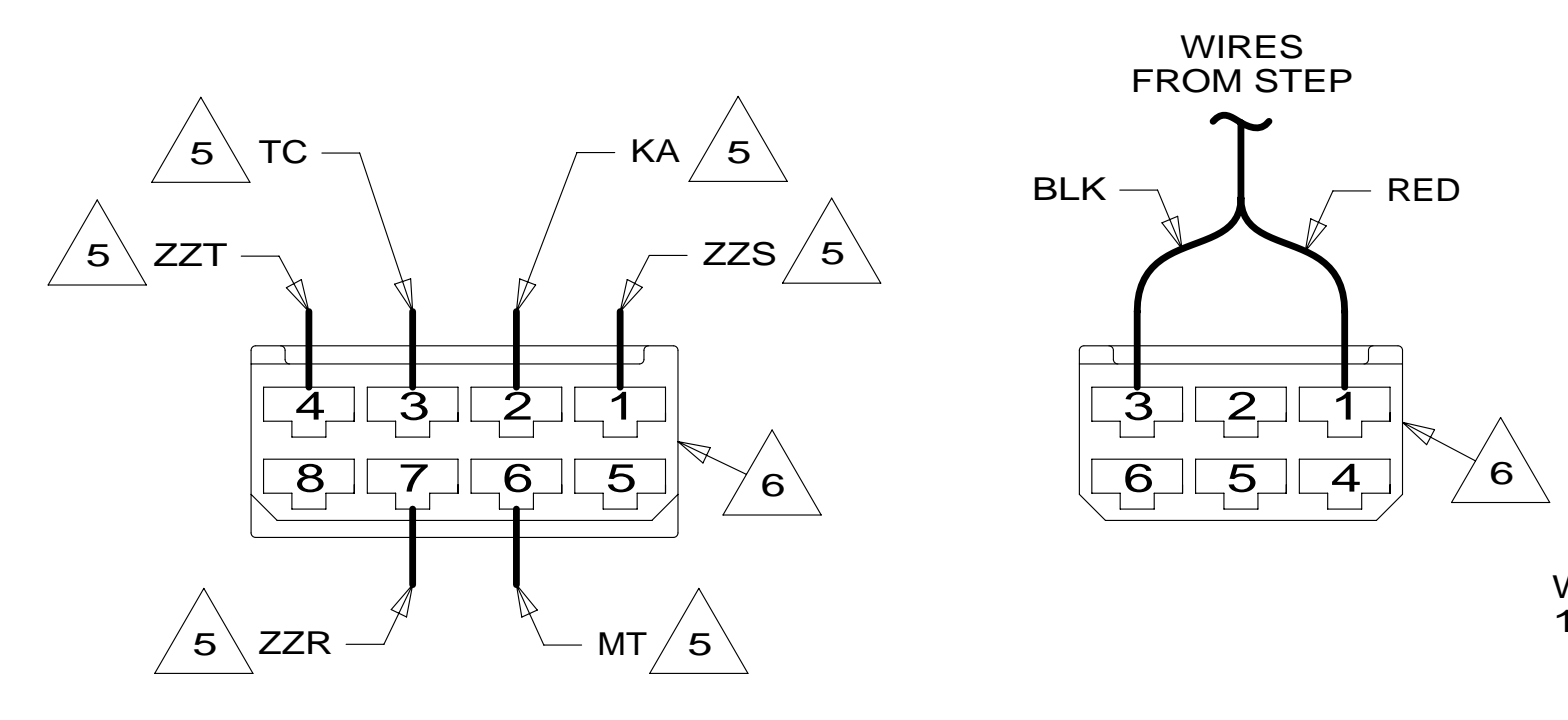
DANGER

Danger of electrical shock, burns or death. Always remove all power sources before attempting any repair, service or diagnostic work. Power can be present from shore power, generator, inverter or battery. All power sources must be disabled and secured before performing any service.

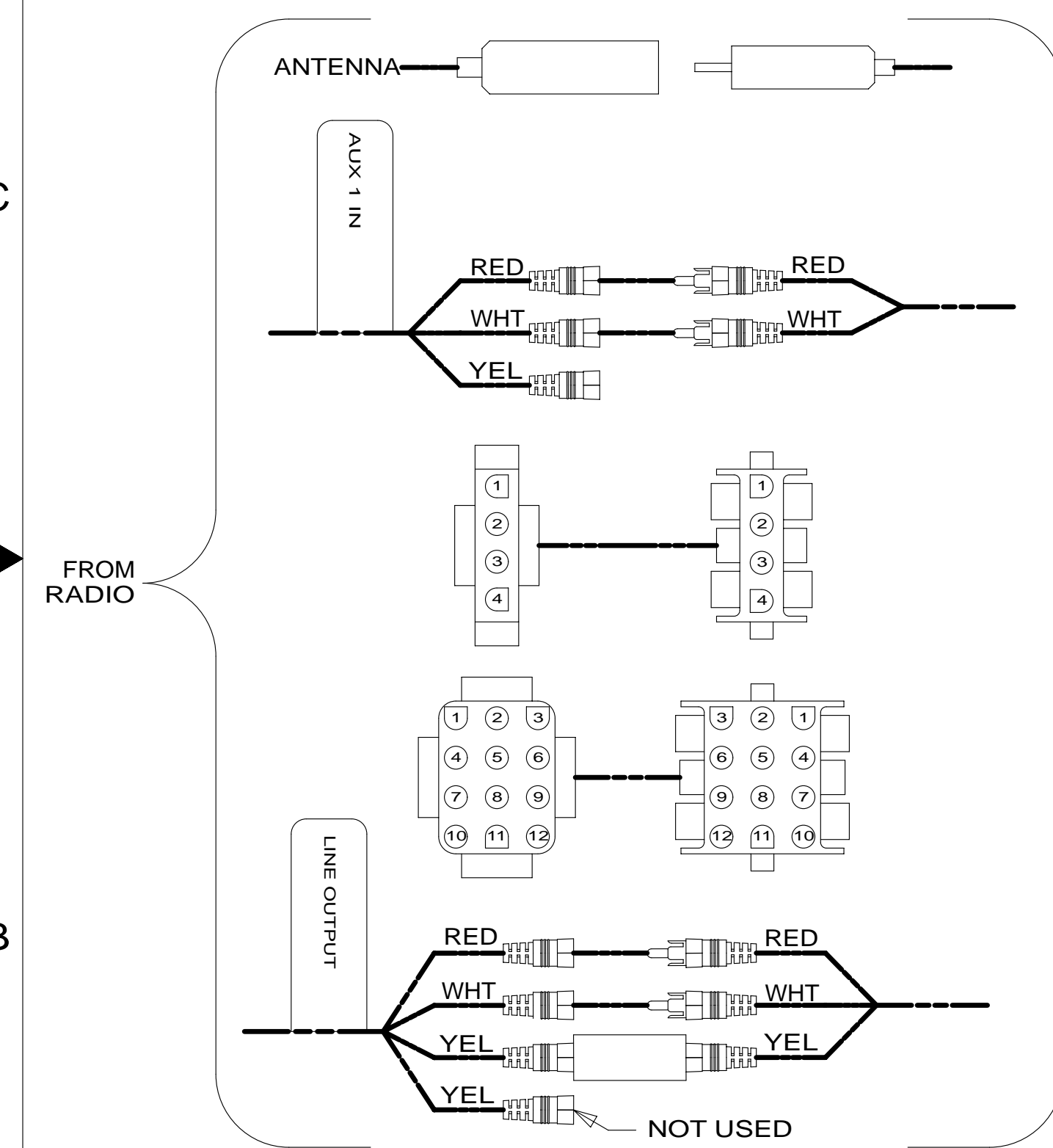


CAUTION

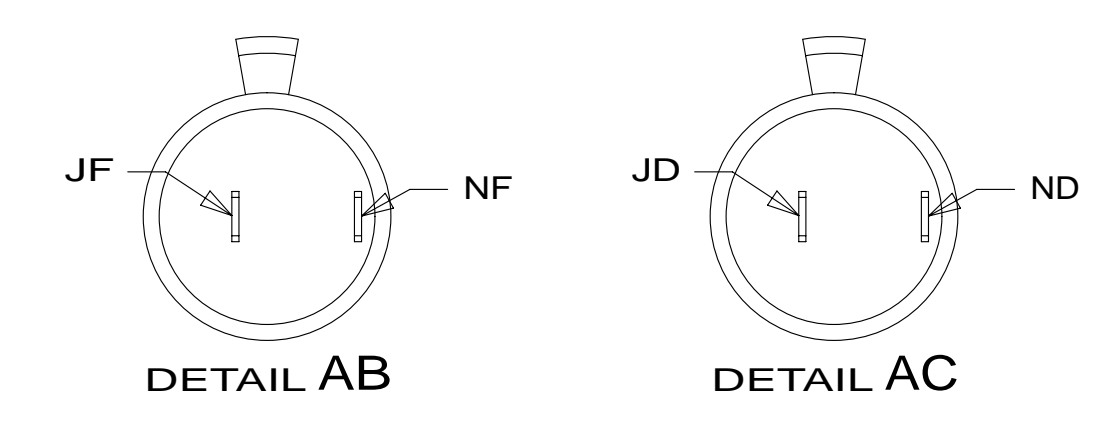
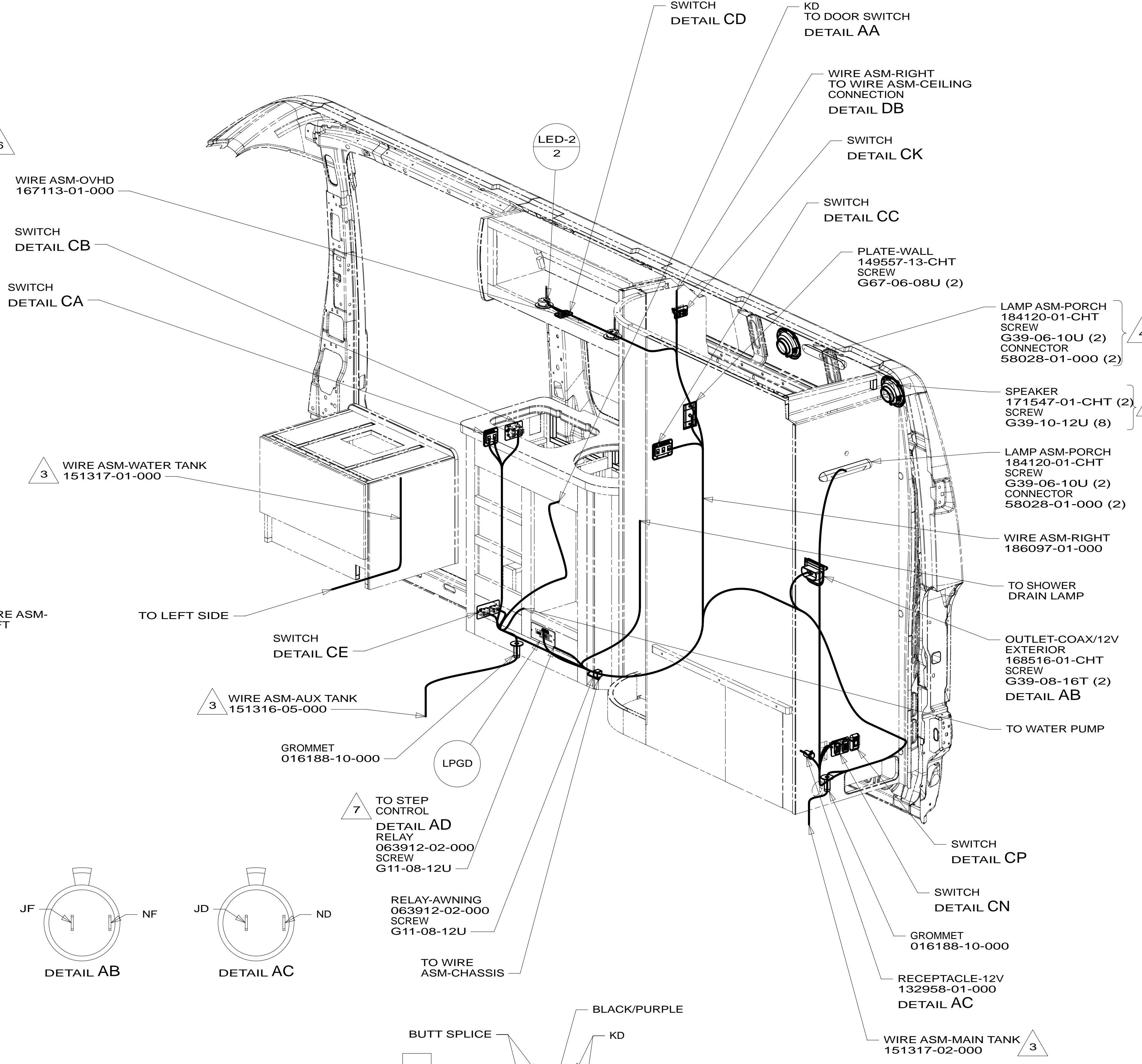
If you lack the skills, tools or equipment to perform diagnostic or repair work leave such work to an authorized Winnebago Industries dealer or other qualified shop.



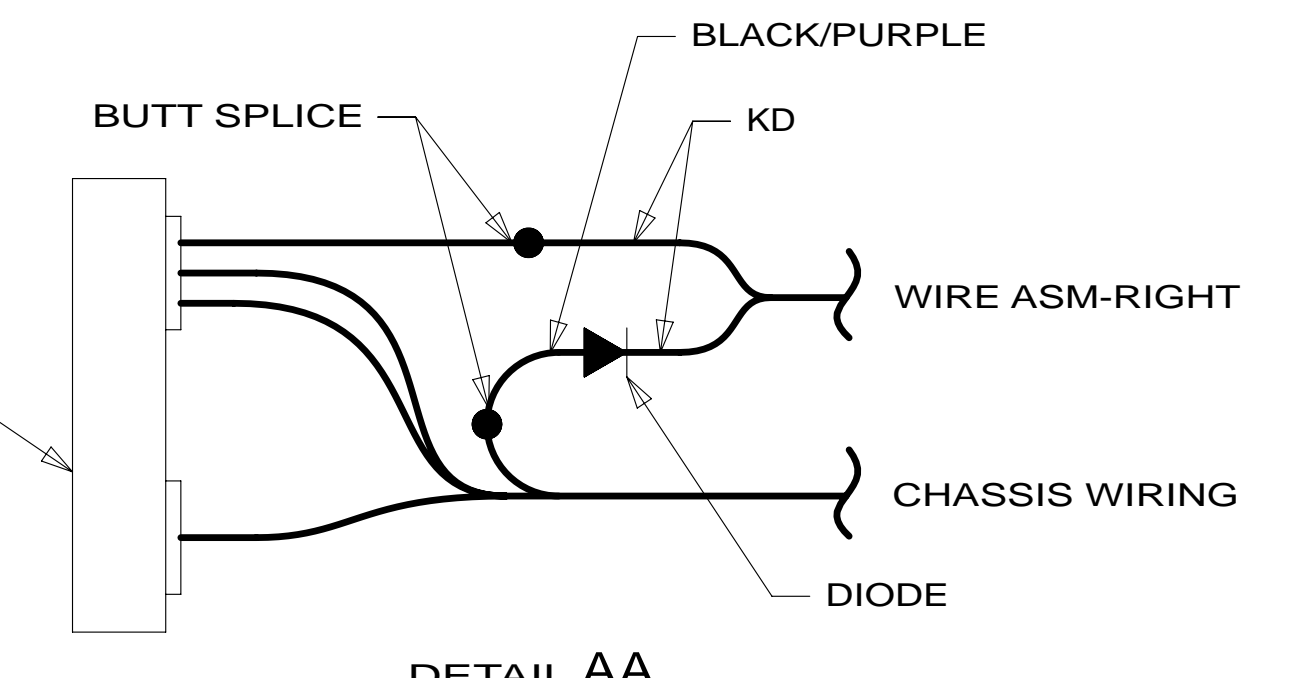
DETAIL AD



DETAIL AE



- NOTES:
- 7 SEE STEP INSTALLATION FOR ADDITIONAL INFORMATION.
 - 6 6 & 8 PIN HOUSINGS SUPPLIED WITH STEP.
 - 5 WIRES ARE PART OF WIRE ASM-RIGHT.
 - 4 MOUNT ON EXTERIOR SURFACE OF VAN SIDEWALL.
 - 3 PLACE CROSS LOCATOR ON SENSORS OVER DIMPLES ON TANK.
2. ROUTE TANK SENSOR WIRES SO THEY DO NOT PASSOVER SENSORS. USE WIRE TIE MOUNT 155366-01-000 AND WIRE TIE 8343-01-000 AS NEEDED. TANK SURFACE MUST BE CLEANED USING ISOPROPYL ALCOHOL AND PRIMED WITH PRIMER 94.
 1. ALL WIRES TO BE SECURED WITH CLAMP 10495 OR 10497 OR WIRE TIE 8343 OR 108046 EVERY 600MM, USE SCREW G67-XX-XXX OR G56-XX-XXX AS APPROPRIATE FOR ONSTALLATION.



DETAIL AA

FOR ELECTRICAL TORQUE SPECIFICATIONS SEE DWG NO. 128783-01-000

FOR ELECTRICAL CALLOUTS SEE DWG NO. 121339-01-000

265 CODES/STANDARDS-CSA/CMVSS
 1B1 CODES/STANDARDS USA
 1B1 265

WINNEBAGO COPYRIGHT 2014 WINNEBAGO INDUSTRIES, INC.

DFTR	ORIG. DATE
CHKR	ALL DIMENSIONS ARE IN MILLIMETERS
P.E.	FIRST USED
M.E.	14 259G
DSNR	

UNSPECIFIED TOLERANCES ARE:
 WHOLE DIM (X) : 3
 ONE-PLACE (X.X) : 1.5
 TWO-PLACE (X.XX) : 0.50
 ANGLE : 1°

THIRD ANGLE PROJECTION

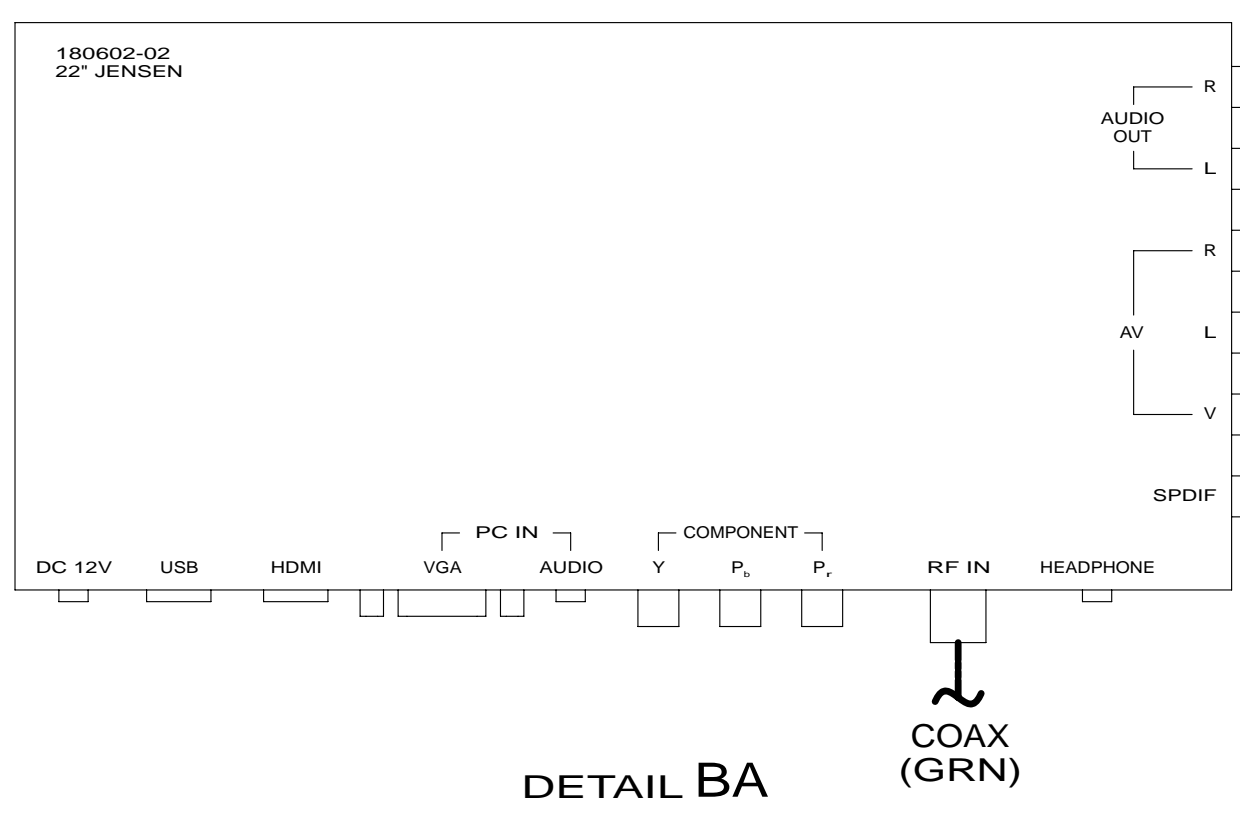
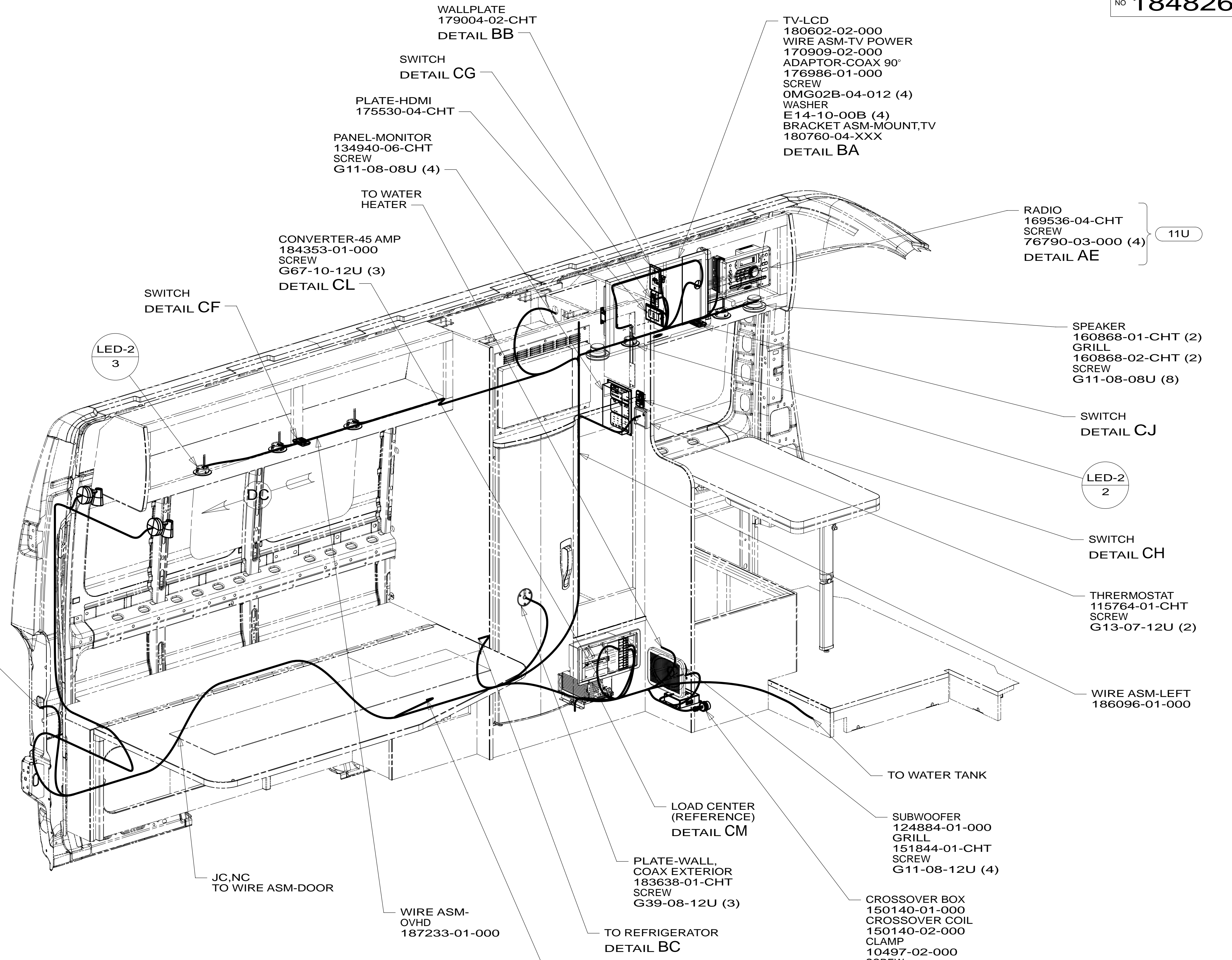
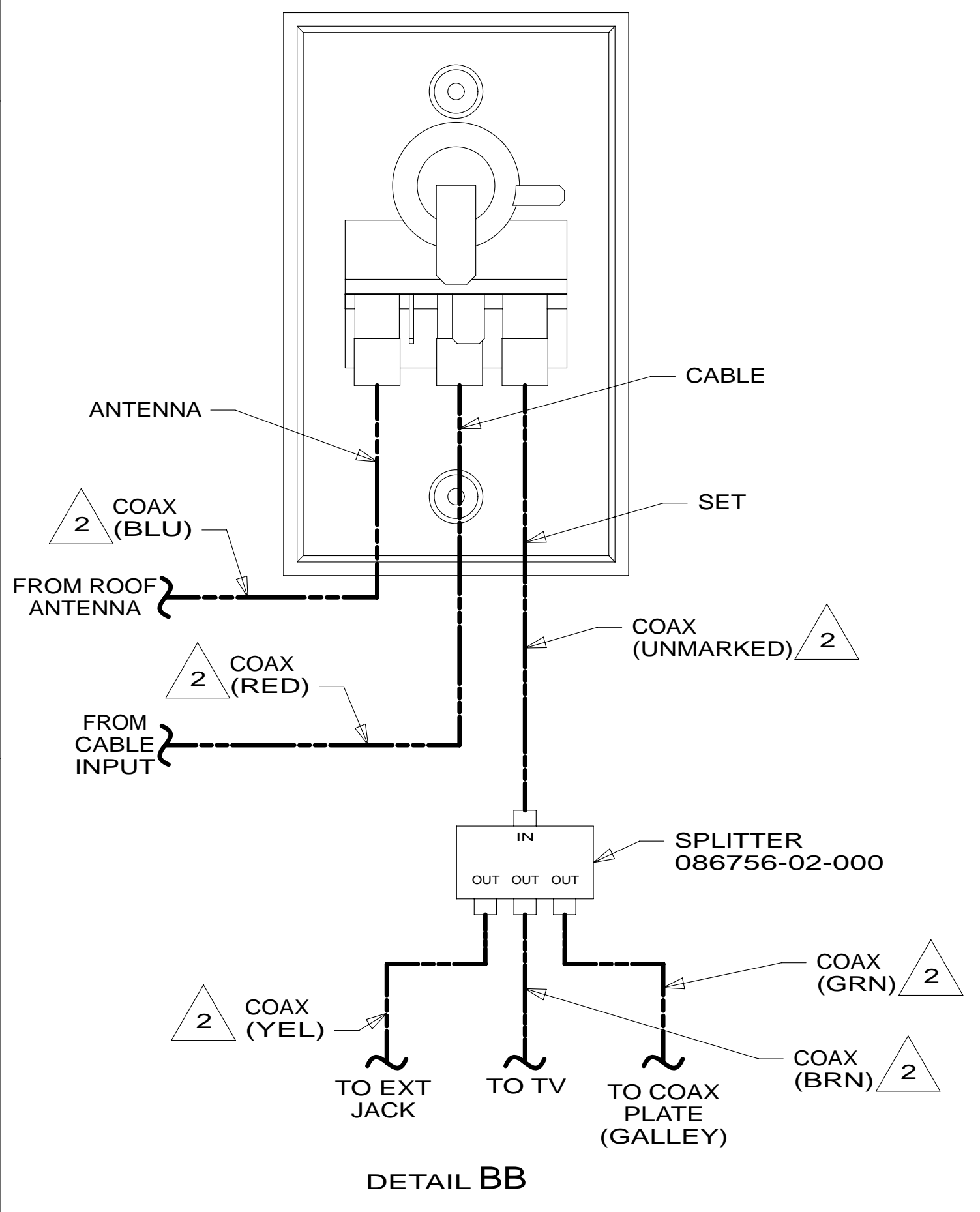
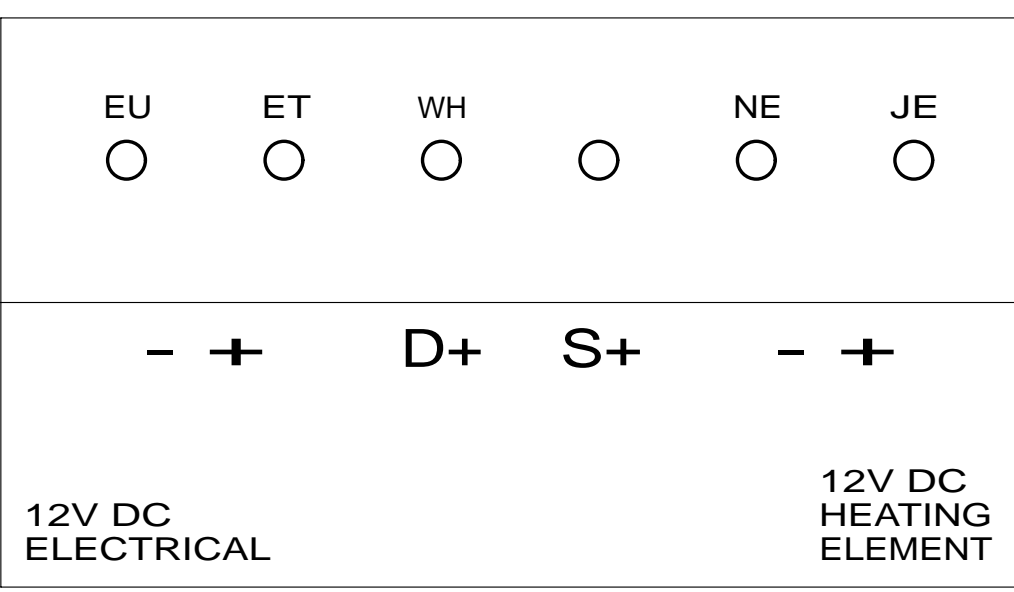
DO NOT SCALE DRAWING REFER TO ES0018 FOR FASTENER TIGHTENING GUIDELINES

TITLE: **WIRING INSTL-BODY,12V**

SHEET 1 OF 4 PART NO. **184826** REV

REF: 1 12-May-2014

* 184826 *



3 SEE WIRING INSTL-CHASSIS FOR ADDITIONAL INFORMATION.
 2 COAX IS PART OF WIRE ASM-LEFT.

1. ALL WIRES TO BE SECURED WITH CLAMP 10495 OR 10497 OR WIRE TIE 8343 OR 108046 EVERY 600MM, USE SCREW G67-XX-XXX OR G56-XX-XXX AS APPROPRIATE FOR ONSTALLATION.

NOTES:

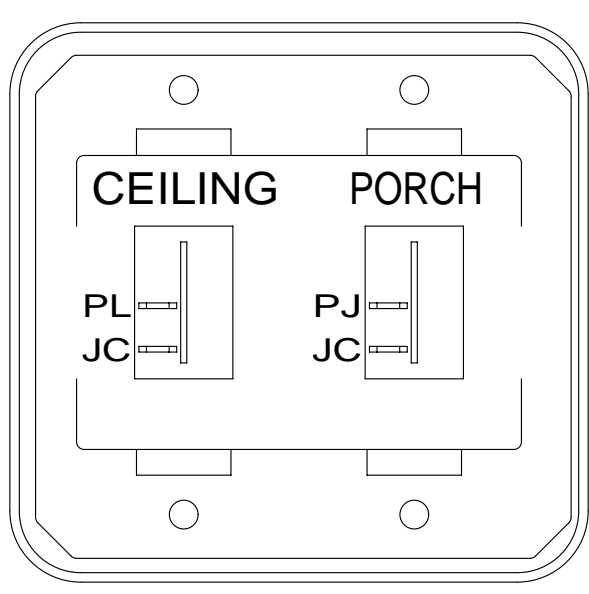
FOR ELECTRICAL TORQUE SPECIFICATIONS SEE DWG NO. 128783-01-000

FOR ELECTRICAL CALLOUTS SEE DWG NO. 121339-01-000

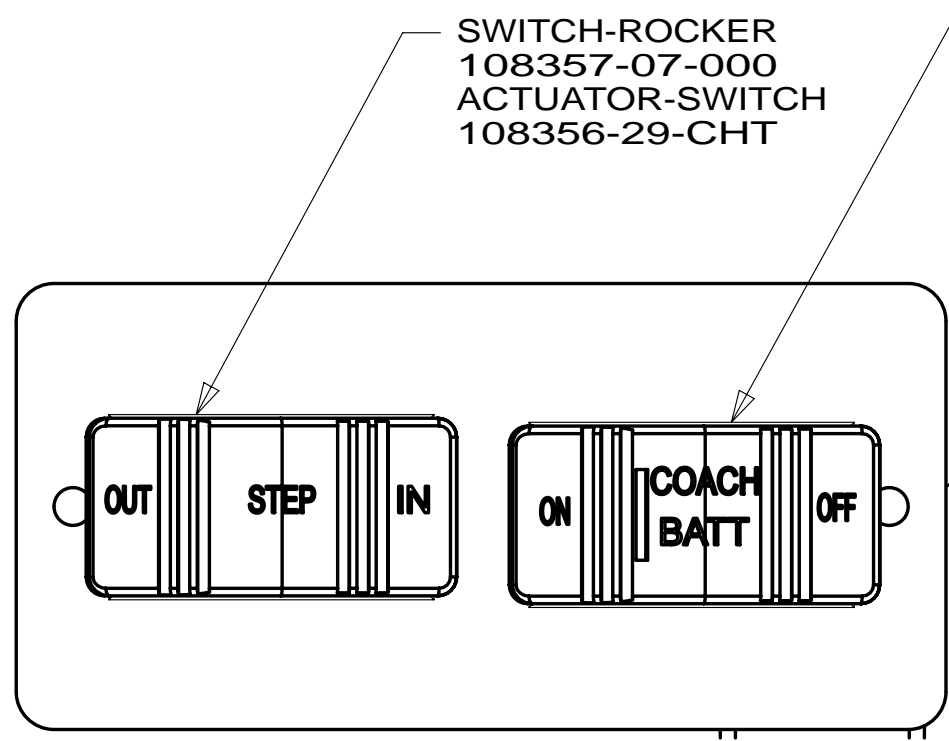
- 11U TV-22"DC,LCD,STEREO/CD/DVD
- 265 CODES/STANDARDS-CSA/CMVSS
- 1B1 CODES/STANDARDS USA

FIRST USED	14 259G	
DO NOT SCALE DRAWING		
TITLE: WIRING INSTL-BODY,12V		
SHEET 2	PART NO 184826	REV

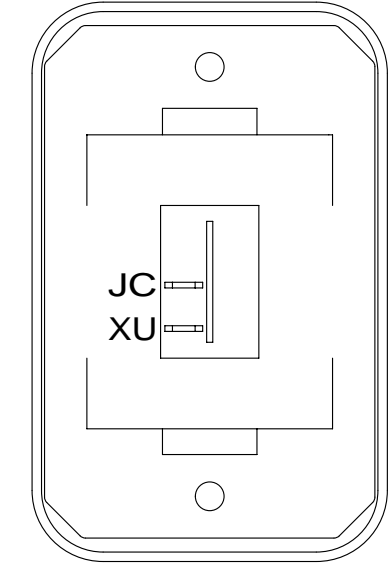
* 184826 * A



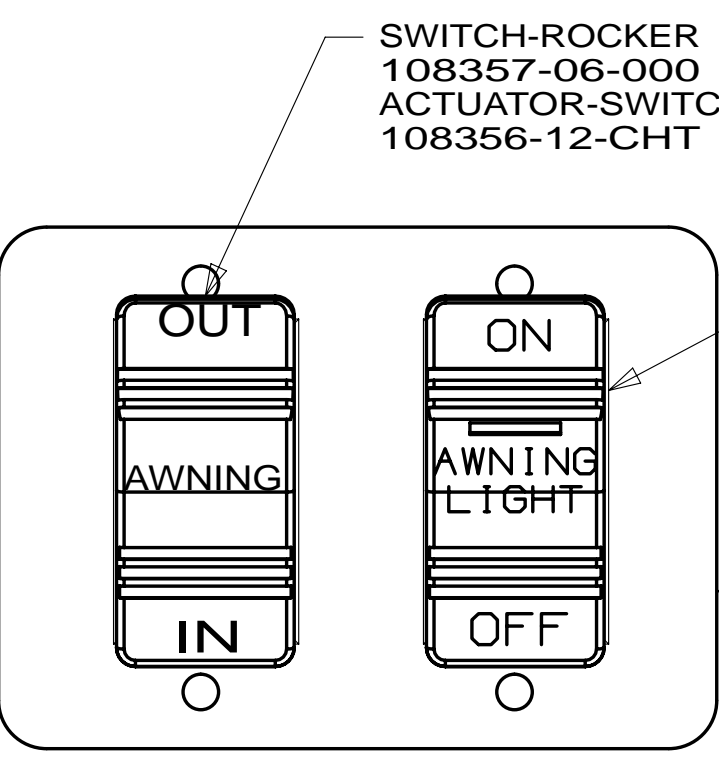
DETAIL CA



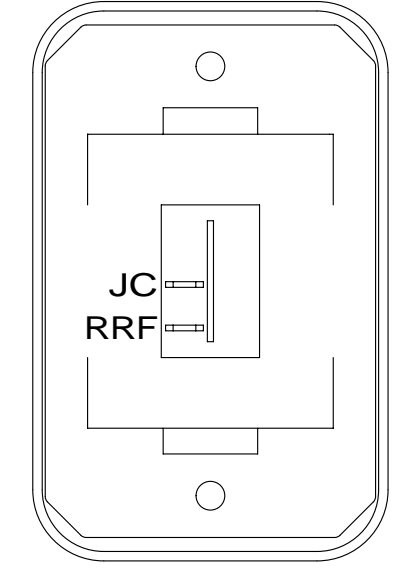
DETAIL CE



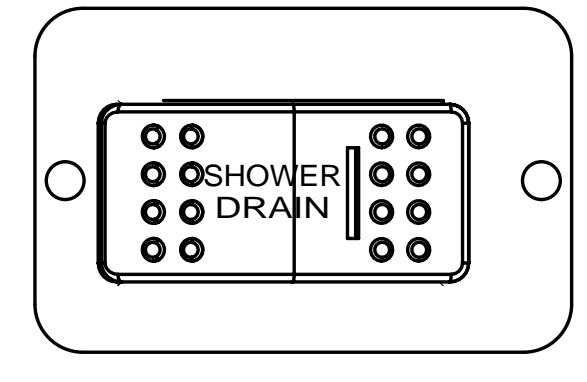
DETAIL CJ



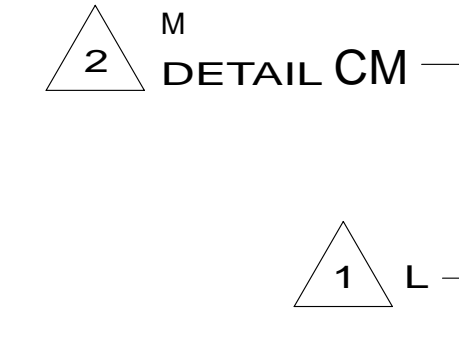
DETAIL CB



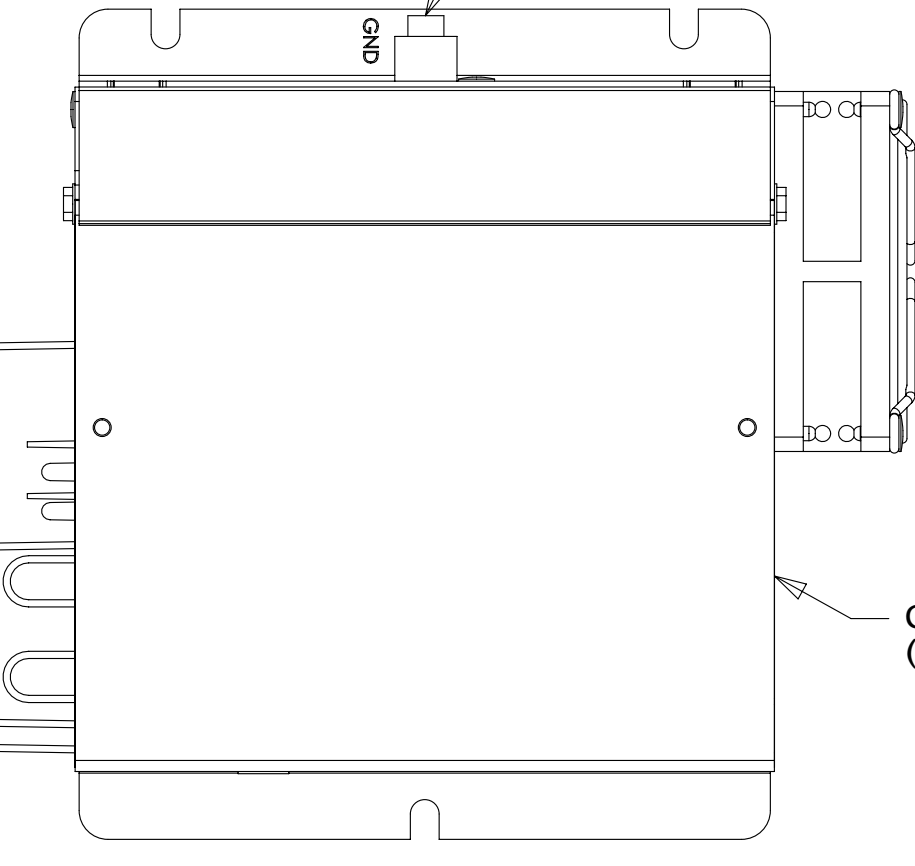
DETAIL CF



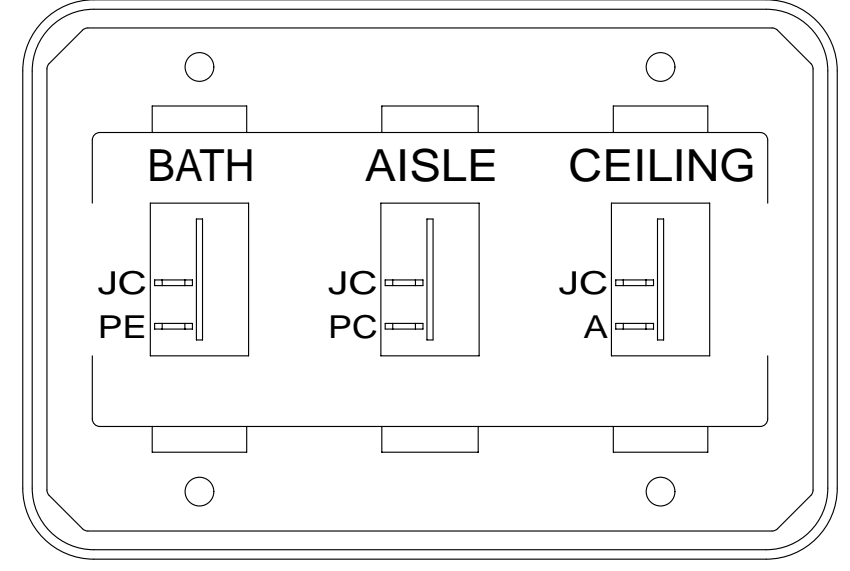
DETAIL CK



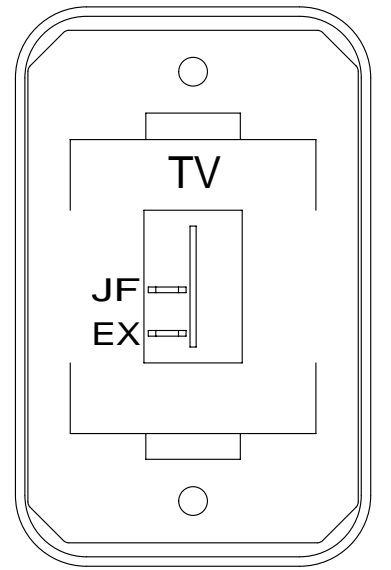
DETAIL CM



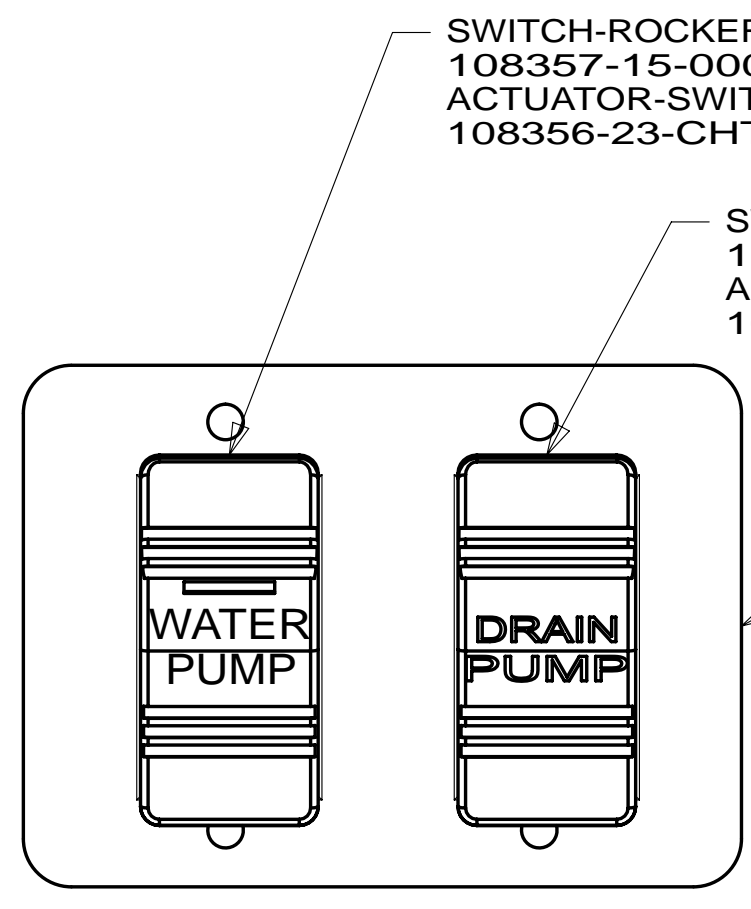
DETAIL CL



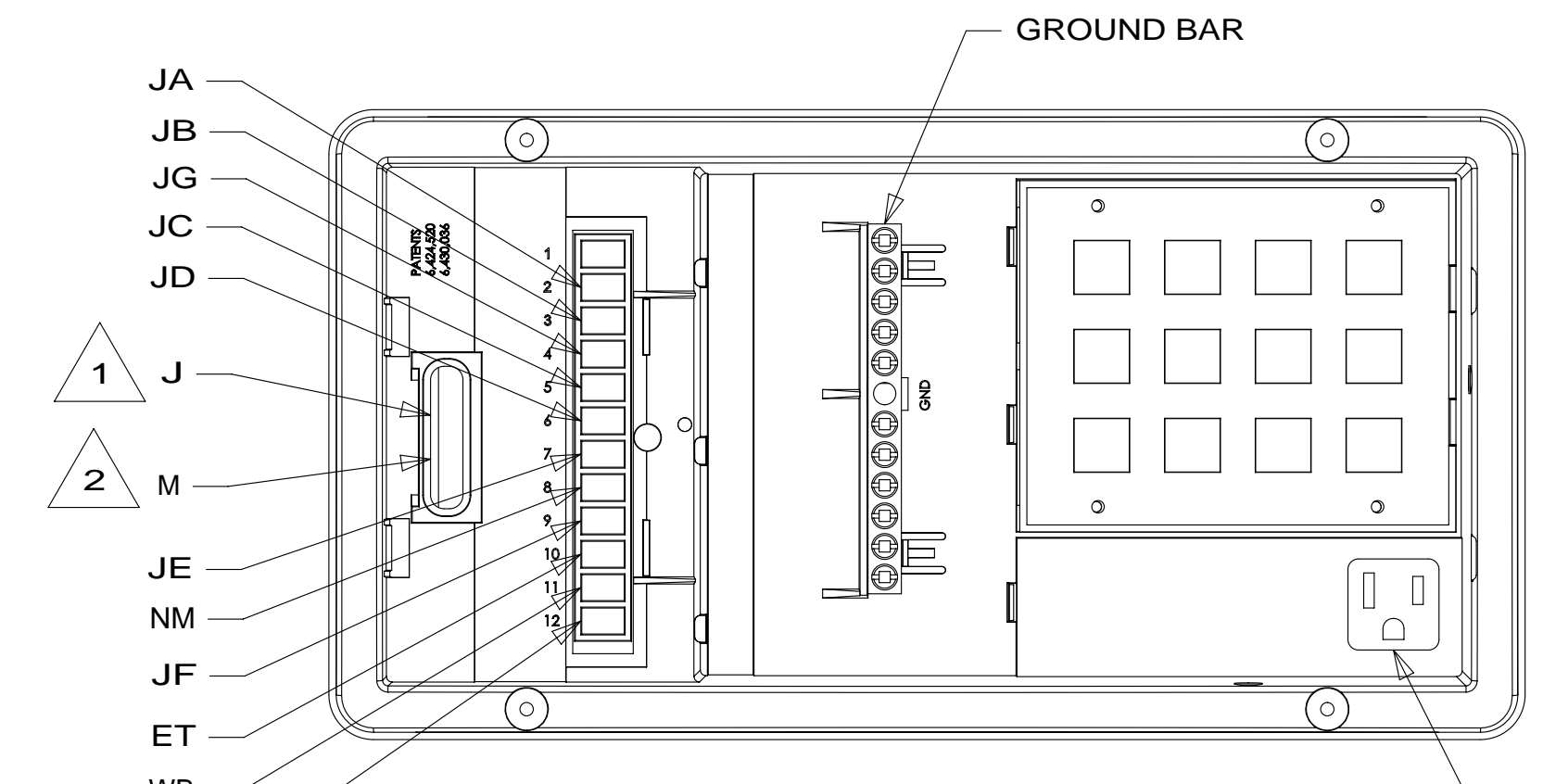
DETAIL CC



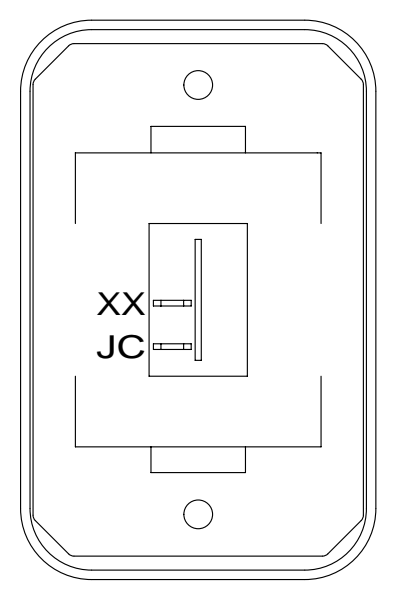
DETAIL CG 11U



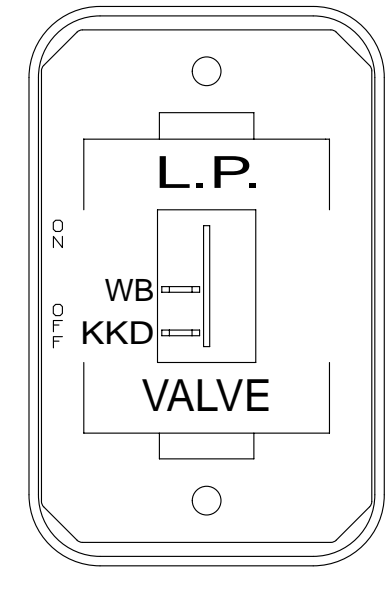
DETAIL CN



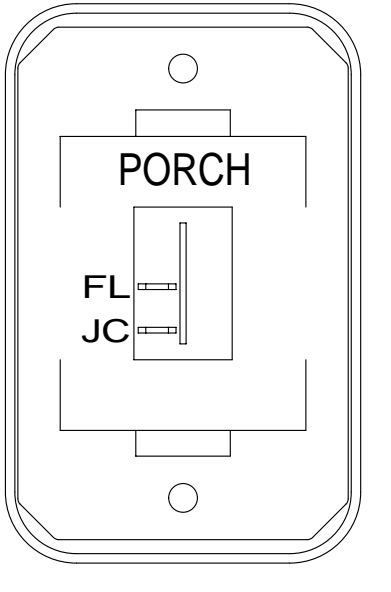
DETAIL CM



DETAIL CD



DETAIL CH



DETAIL CP

NOTES:
 2 CIRCUIT FROM WIRE ASM-COACH.
 1 CIRCUIT FROM WIRE ASM-CHASSIS

- 11U TV-22"DC,LCD,STEREO/CD/DVD
- 265 CODES/STANDARDS-CSA/CMVSS
- 1B1 CODES/STANDARDS USA

1B1 265

FIRST USED **14 259G**

DO NOT SCALE DRAWING

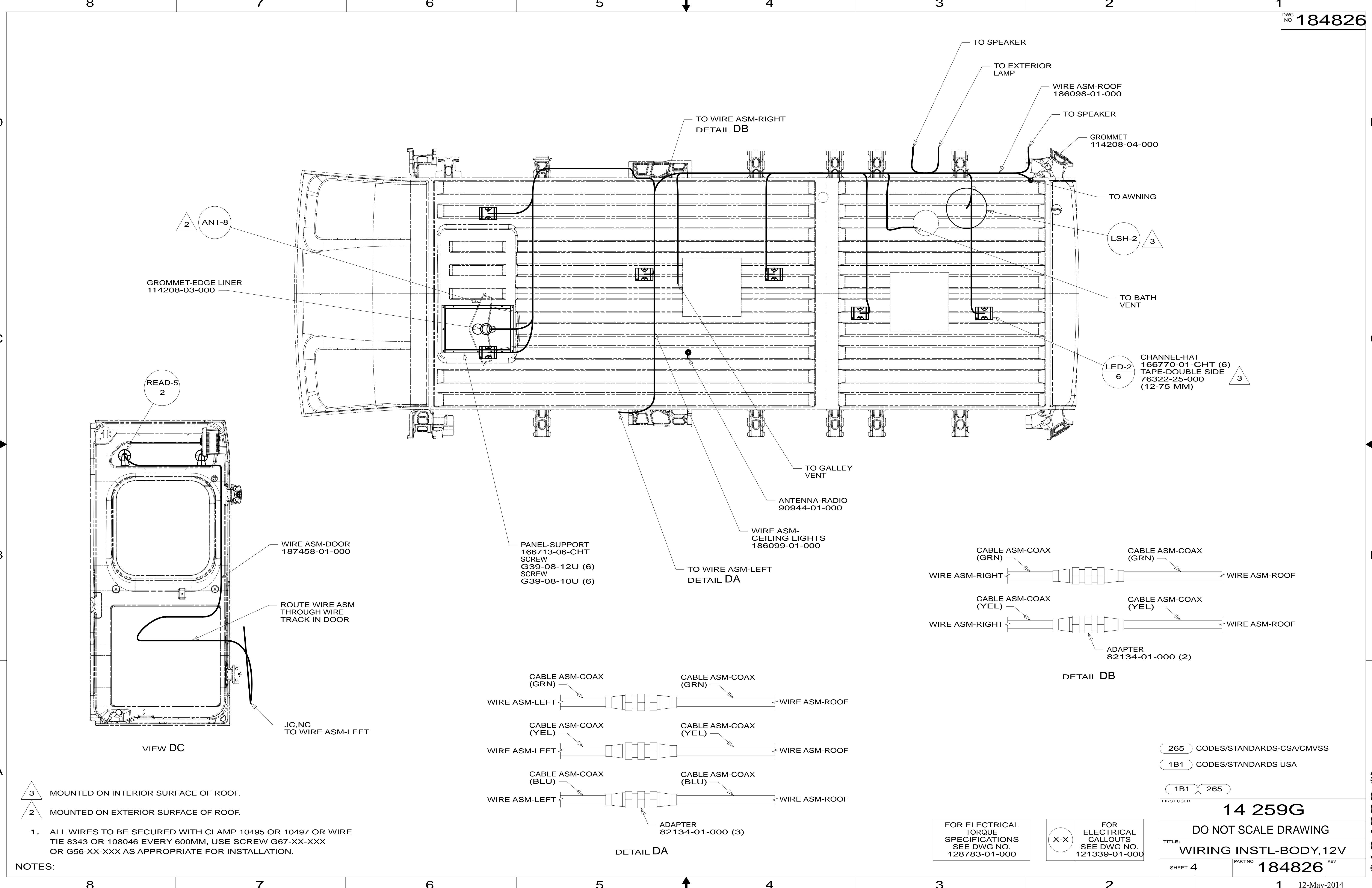
TITLE: **WIRING INSTL-BODY,12V**

SHEET 3 PART NO **184826** REV

FOR ELECTRICAL TORQUE SPECIFICATIONS SEE DWG NO. 128783-01-000

FOR ELECTRICAL CALLOUTS SEE DWG NO. 121339-01-000

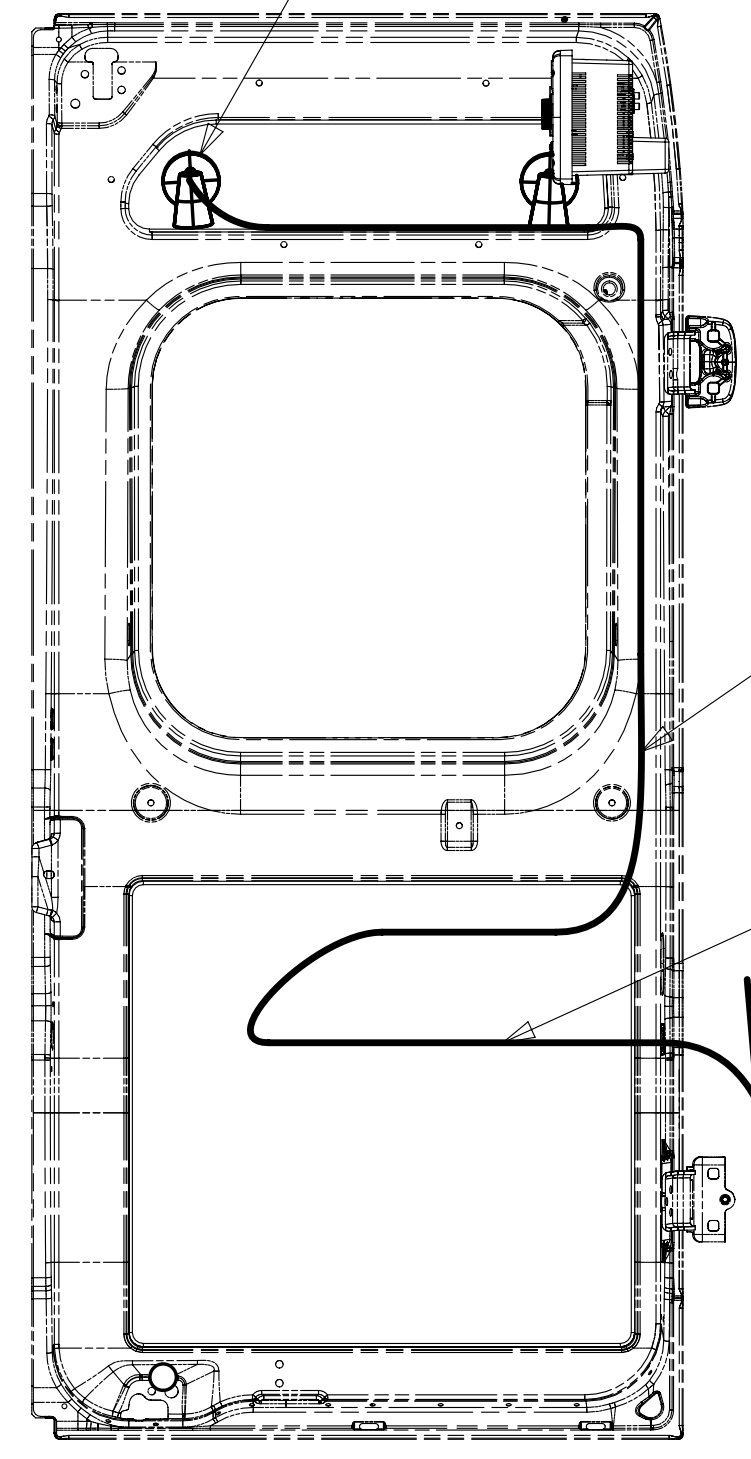
* 184826 *



ANT-8
2

GROMMET-EDGE LINER
114208-03-000

READ-5
2



VIEW DC

WIRE ASM-DOOR
187458-01-000

ROUTE WIRE ASM
THROUGH WIRE
TRACK IN DOOR

JC.NC
TO WIRE ASM-LEFT

TO WIRE ASM-RIGHT
DETAIL DB

TO SPEAKER

TO EXTERIOR
LAMP

WIRE ASM-ROOF
186098-01-000

TO SPEAKER

GROMMET
114208-04-000

TO AWNING

LSH-2
3

TO BATH
VENT

LED-2
6
CHANNEL-HAT
166770-01-CHT (6)
TAPE-DOUBLE SIDE
76322-25-000
(12-75 MM)

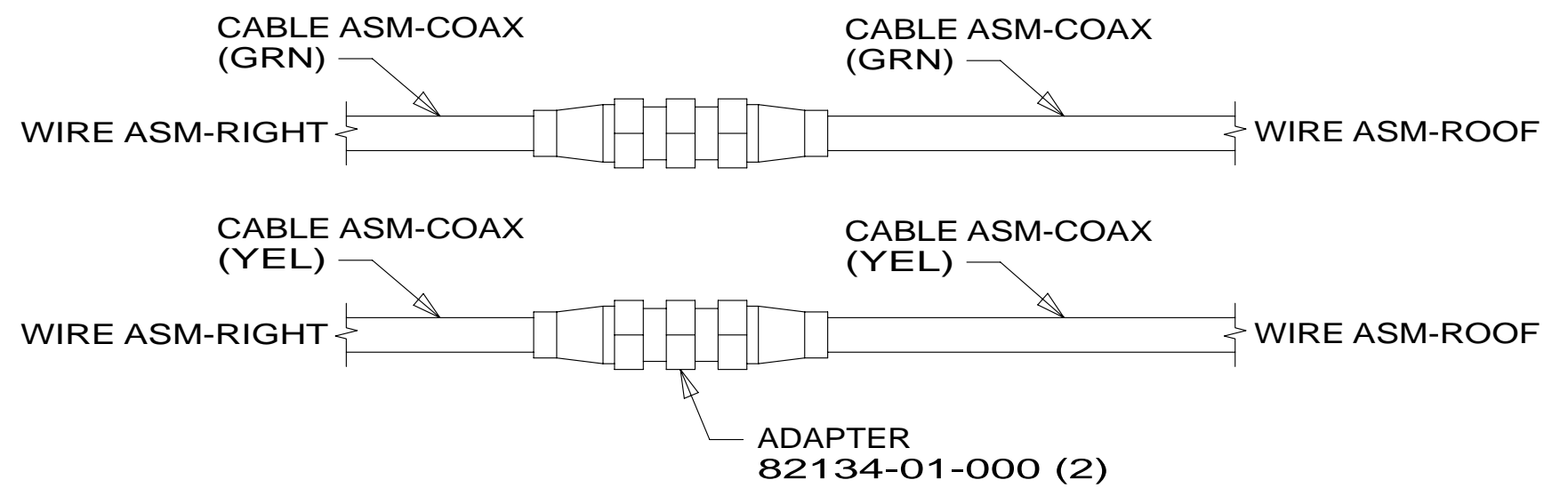
TO GALLEY
VENT

ANTENNA-RADIO
90944-01-000

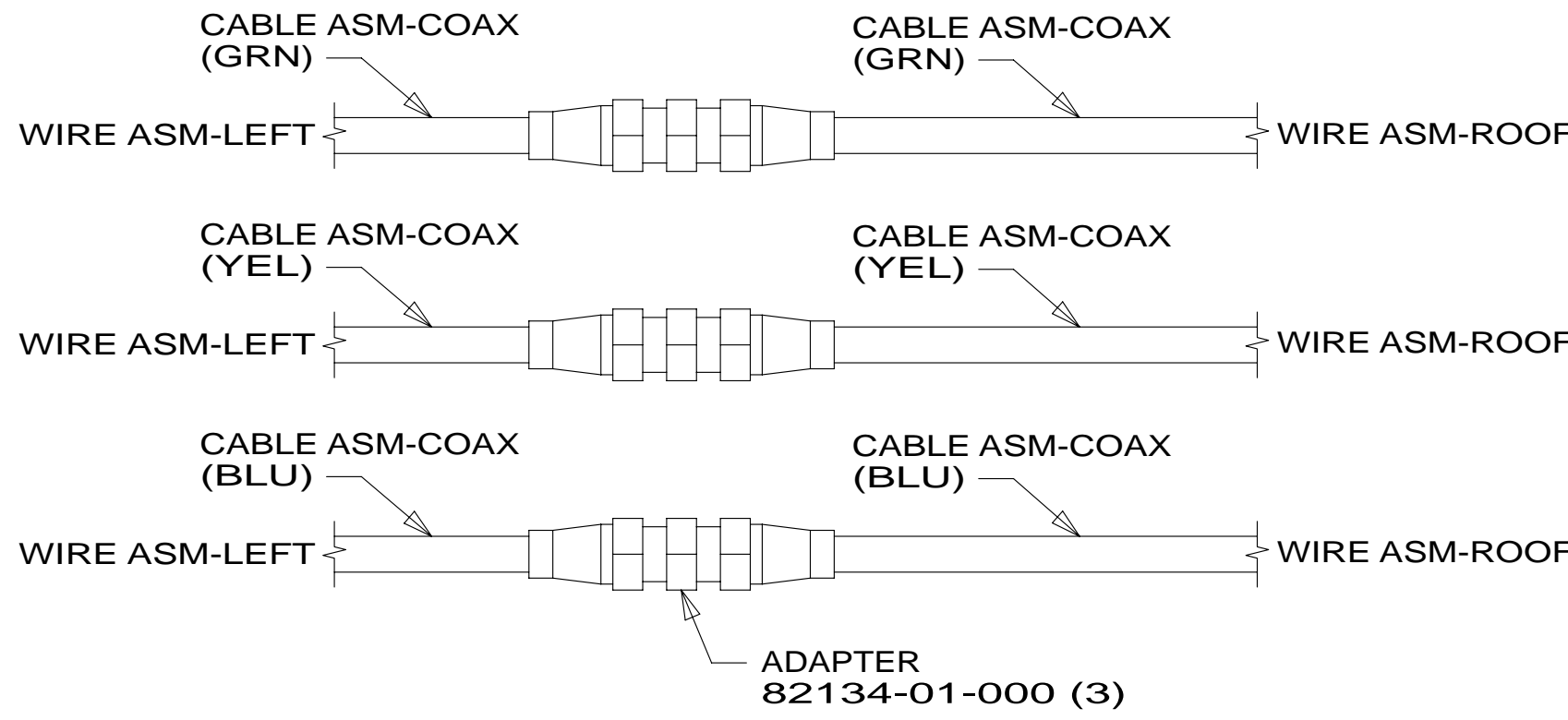
WIRE ASM-
CEILING LIGHTS
186099-01-000

TO WIRE ASM-LEFT
DETAIL DA

PANEL-SUPPORT
166713-06-CHT
SCREW
G39-08-12U (6)
SCREW
G39-08-10U (6)



DETAIL DB



DETAIL DA

- 3 MOUNTED ON INTERIOR SURFACE OF ROOF.
- 2 MOUNTED ON EXTERIOR SURFACE OF ROOF.

1. ALL WIRES TO BE SECURED WITH CLAMP 10495 OR 10497 OR WIRE TIE 8343 OR 108046 EVERY 600MM, USE SCREW G67-XX-XXX OR G56-XX-XXX AS APPROPRIATE FOR INSTALLATION.

NOTES:

265 CODES/STANDARDS-CSA/CMVSS

1B1 CODES/STANDARDS USA

1B1 265

FIRST USED
14 259G

DO NOT SCALE DRAWING

TITLE:
WIRING INSTL-BODY,12V

SHEET 4 PART NO **184826** REV

FOR ELECTRICAL
TORQUE
SPECIFICATIONS
SEE DWG NO.
128783-01-000

X-X
FOR
ELECTRICAL
CALLOUTS
SEE DWG NO.
121339-01-000