



DANGER

Danger of electrical shock, burns or death. Always remove all power sources before attempting any repair, service or diagnostic work. Power can be present from shore power, generator, inverter or battery. All power sources must be disabled and secured before performing any service.



CAUTION

If you lack the skills, tools or equipment to perform diagnostic or repair work leave such work to an authorized Winnebago Industries dealer or other qualified shop.

DRAWING NO.	MODEL	SHEET
184822-01	170A, 170X	1,2
184822-02	170A, 170X	1,3
184822-03	159G	1,4

RELEASE	REV/DATE	DWG NO	184822
REV ZONE	REVISION RECORD	DATE	DFT-ORIG

	170X / 170A	159G
CABLE ASM-STARTER (RED)	141415-37-013	185087-01-063
CABLE ASM-COACH BATTERY (YEL)	141415-52-064	141415-52-022
CABLE ASM-COACH BATTERY GND (BLK)	133566-17-029	133566-17-016
CABLE ASM-GENERATOR (GRN)	141415-42-055	141415-42-020
CABLE ASM-GENERATOR GND (BLK)	133566-17-020	133566-17-020
CABLE ASM-JUMPER,POS	141415-52-022	
CABLE ASM-JUMPER,NEG	133566-17-022	

22W

22W

- 22W BATTERY-SECOND
- 265 CODES/STANDARDS-CSA/CMVSS
- 1B1 CODES/STANDARDS USA

1B1 265



DFT-ORIG	ORIG. DATE
CHKR	ALL DIMENSIONS ARE IN MILLIMETERS
P.E.	
M.E.	FIRST USED
DSNR	14 100-SER
UNSPECIFIED TOLERANCES ARE:	
WHOLE DIM (X)	MATERIAL:
ONE-PLACE (X.X)	
TWO-PLACE (X.XX)	
ANGLE	
THIRD ANGLE PROJECTION	
DO NOT SCALE DRAWING	REFER TO ES0018 FOR FASTENER TIGHTENING GUIDELINES
TITLE: BATTERY INSTL	
SHEET 1 OF 4	PART NO 184822

FOR ELECTRICAL TORQUE SPECIFICATIONS SEE DWG NO. 128783-01-000

FOR ELECTRICAL CALLOUTS SEE DWG NO. 121339-01-000

*184822 *A

8 7 6 5 4 3 2 1

D

D

C

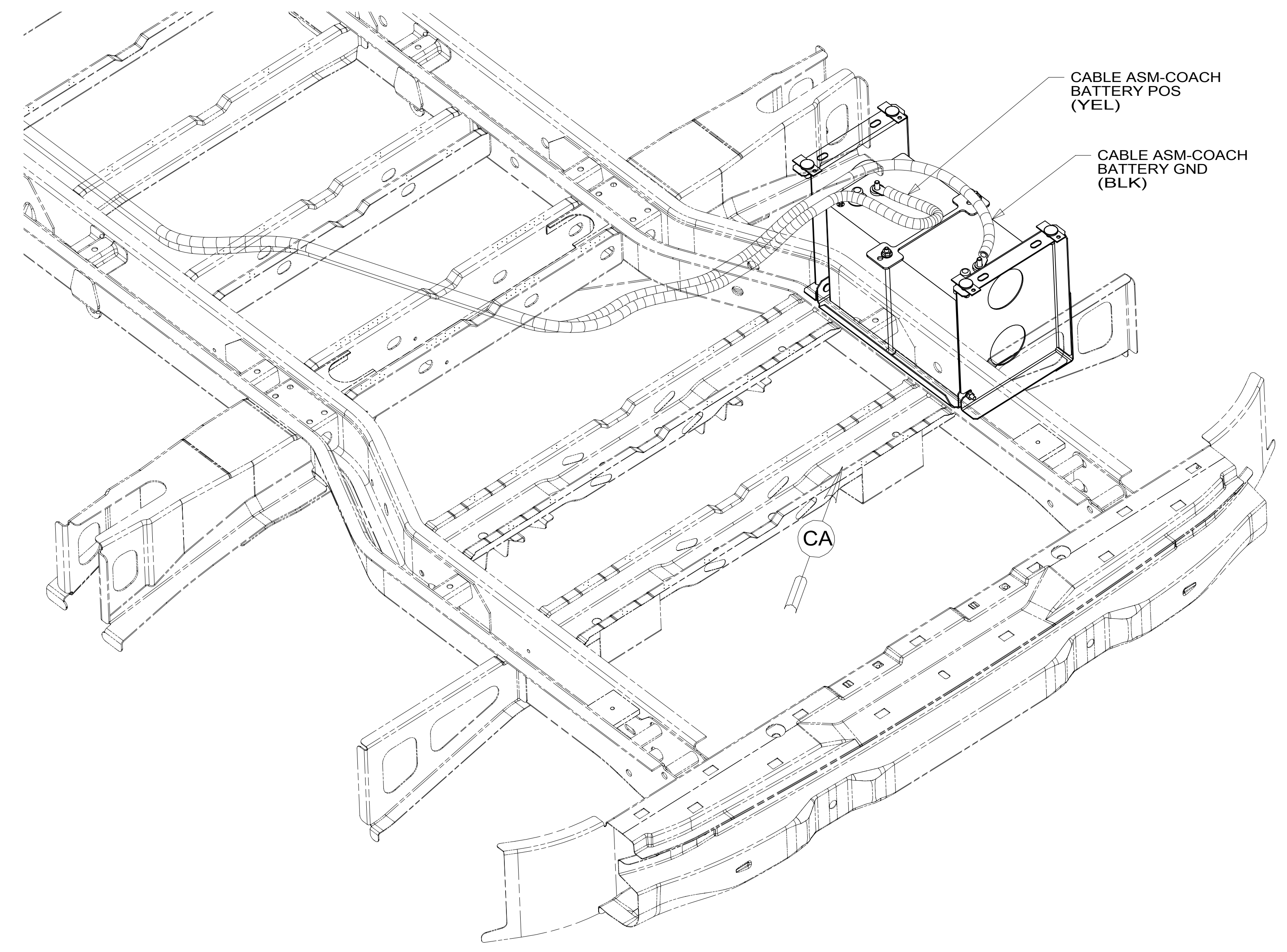
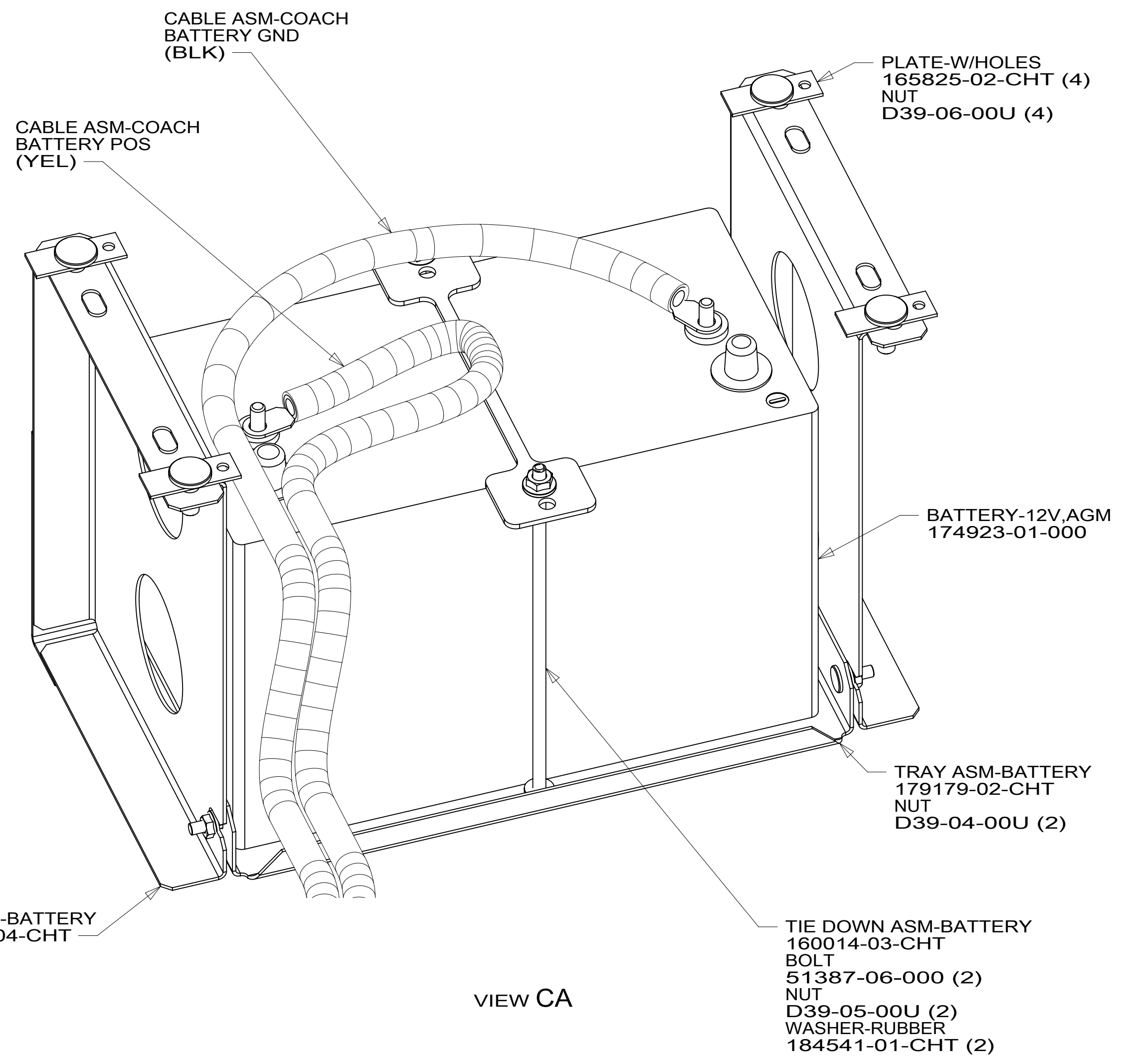
C

B

B

A

A



FOR ELECTRICAL TORQUE SPECIFICATIONS SEE DWG NO. 128783-01-000

FOR ELECTRICAL CALLOUTS SEE DWG NO. 121339-01-000

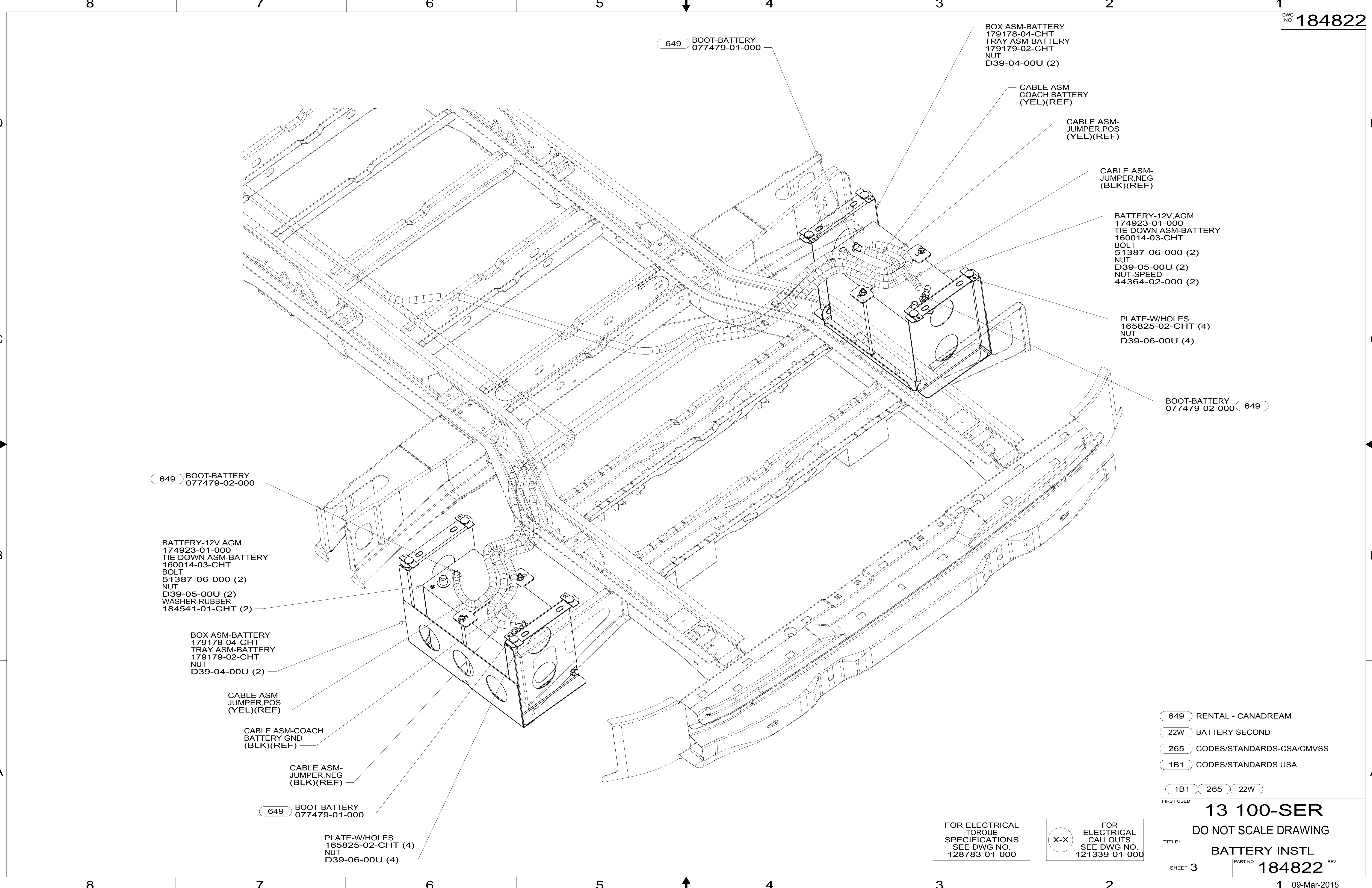
- 12X BATTERY-ONE
- 265 CODES/STANDARDS-CSA/CMVSS
- 1B1 CODES/STANDARDS USA

1B1 265 12X

FIRST USED		
13 100-SER		
DO NOT SCALE DRAWING		
TITLE: BATTERY INSTL		
SHEET 2	PART NO 184822	REV
1 09-Mar-2015		

8 7 6 5 4 3 2 1

184822



649 BOOT-BATTERY
077479-01-000

BOX ASM-BATTERY
179178-04-CHT
TRAY ASM-BATTERY
179179-02-CHT
NUT
D39-04-00U (2)

CABLE ASM-COACH BATTERY
(YEL)(REF)

CABLE ASM-JUMPER,POS
(YEL)(REF)

CABLE ASM-JUMPER,NEG
(BLK)(REF)

BATTERY-12V,AGM
174923-01-000
TIE DOWN ASM-BATTERY
160014-03-CHT
BOLT
51387-06-000 (2)
NUT
D39-05-00U (2)
NUT-SPEED
44364-02-000 (2)

PLATE-W/HOLES
165825-02-CHT (4)
NUT
D39-06-00U (4)

BOOT-BATTERY 649
077479-02-000

649 BOOT-BATTERY
077479-02-000

BATTERY-12V,AGM
174923-01-000
TIE DOWN ASM-BATTERY
160014-03-CHT
BOLT
51387-06-000 (2)
NUT
D39-05-00U (2)
WASHER-RUBBER
184541-01-CHT (2)

BOX ASM-BATTERY
179178-04-CHT
TRAY ASM-BATTERY
179179-02-CHT
NUT
D39-04-00U (2)

CABLE ASM-JUMPER,POS
(YEL)(REF)

CABLE ASM-COACH BATTERY GND
(BLK)(REF)

CABLE ASM-JUMPER,NEG
(BLK)(REF)

649 BOOT-BATTERY
077479-01-000

PLATE-W/HOLES
165825-02-CHT (4)
NUT
D39-06-00U (4)

- 649 RENTAL - CANADREAM
- 22W BATTERY-SECOND
- 265 CODES/STANDARDS-CSA/CMVSS
- 1B1 CODES/STANDARDS USA

1B1 265 22W

FIRST USED **13 100-SER**

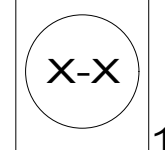
DO NOT SCALE DRAWING

TITLE: **BATTERY INSTL**

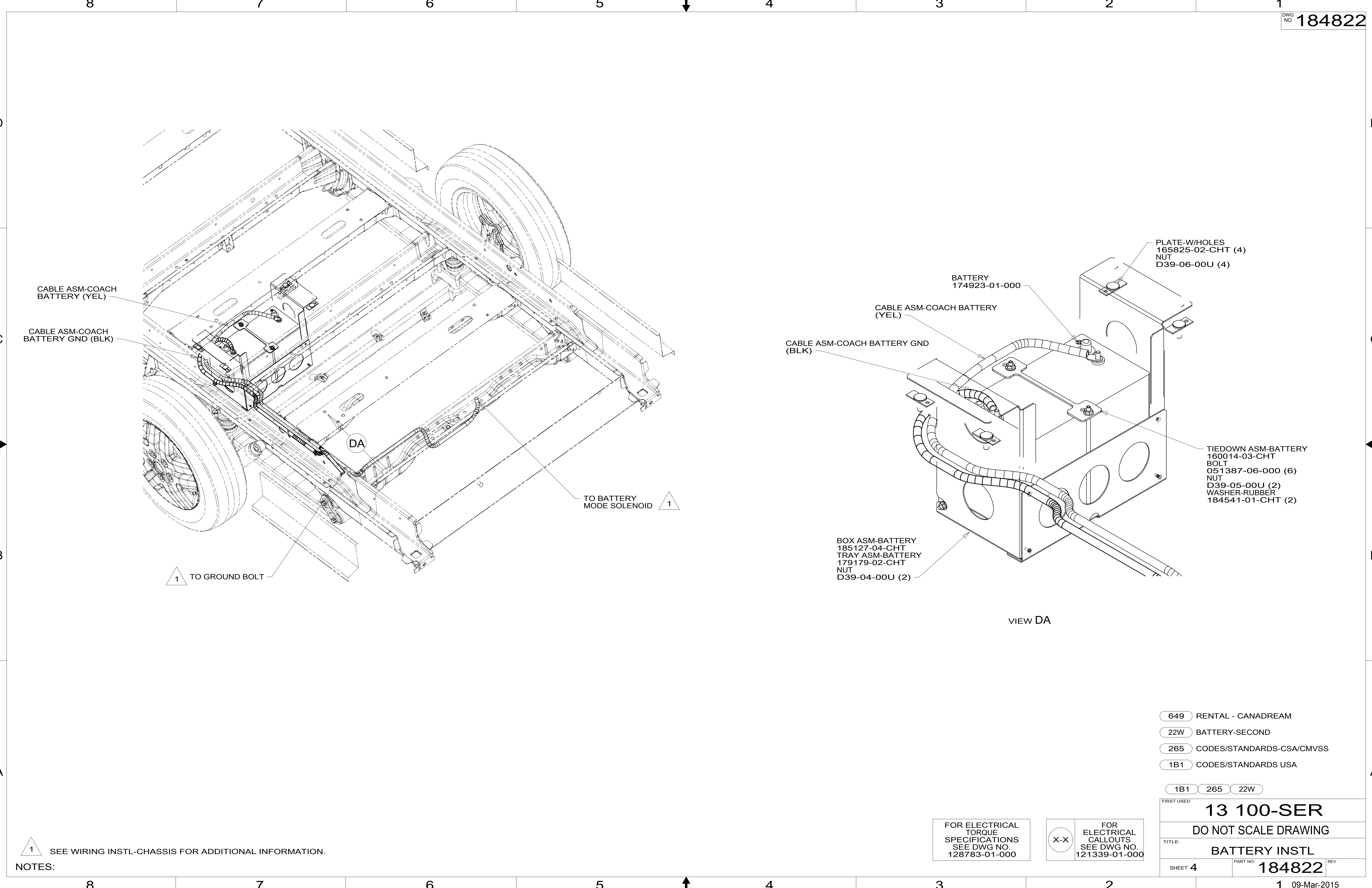
SHEET 3 PART NO **184822** REV

FOR ELECTRICAL TORQUE SPECIFICATIONS SEE DWG NO. 128783-01-000

FOR ELECTRICAL CALLOUTS SEE DWG NO. 121339-01-000



*184822 *A



1 SEE WIRING INSTL-CHASSIS FOR ADDITIONAL INFORMATION.
 NOTES:

FOR ELECTRICAL TORQUE SPECIFICATIONS SEE DWG NO. 128783-01-000

X-X FOR ELECTRICAL CALLOUTS SEE DWG NO. 121339-01-000

- 649 RENTAL - CANADREAM
- 22W BATTERY-SECOND
- 265 CODES/STANDARDS-CSA/CMVSS
- 1B1 CODES/STANDARDS USA

1B1 265 22W

FIRST USED	
13 100-SER	
DO NOT SCALE DRAWING	
TITLE: BATTERY INSTL	
SHEET 4	PART NO 184822 REV
1 09-Mar-2015	

*184822 *A