



DANGER

Danger of electrical shock, burns or death. Always remove all power sources before attempting any repair, service or diagnostic work. Power can be present from shore power, generator, inverter or battery. All power sources must be disabled and secured before performing any service.

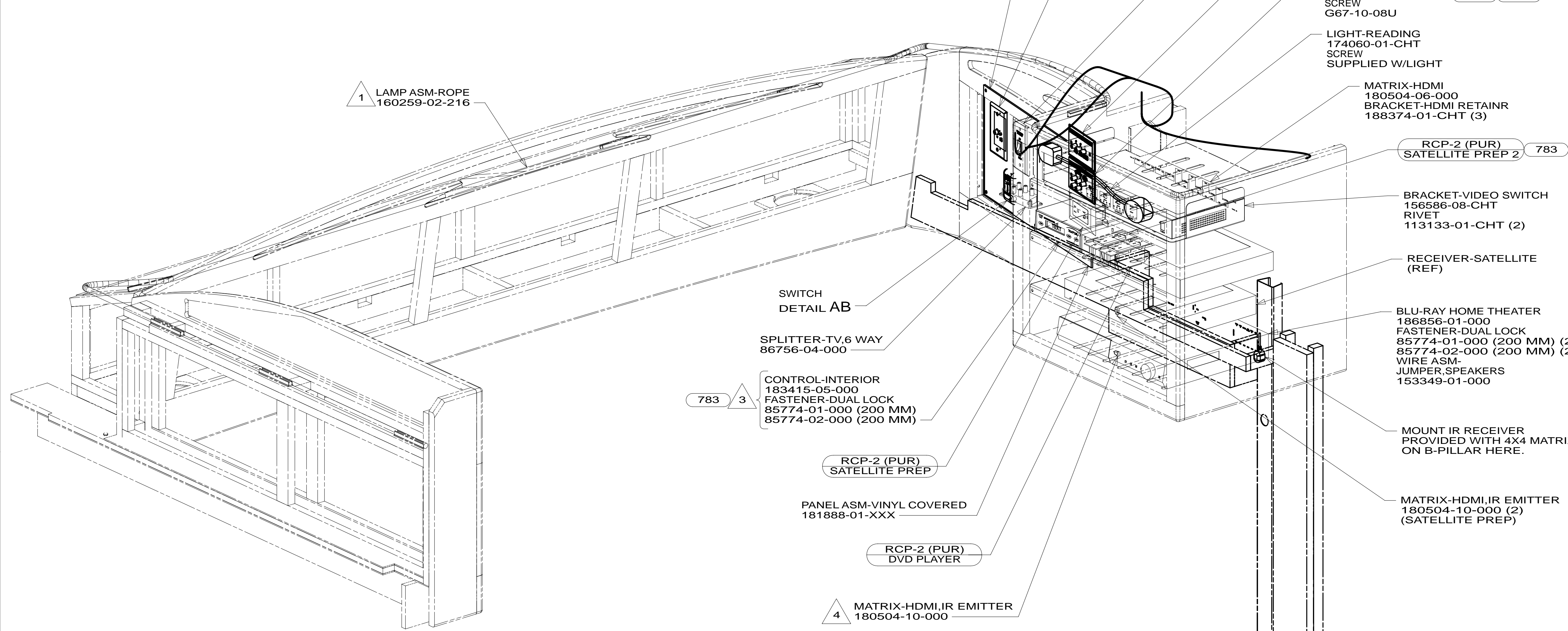


CAUTION

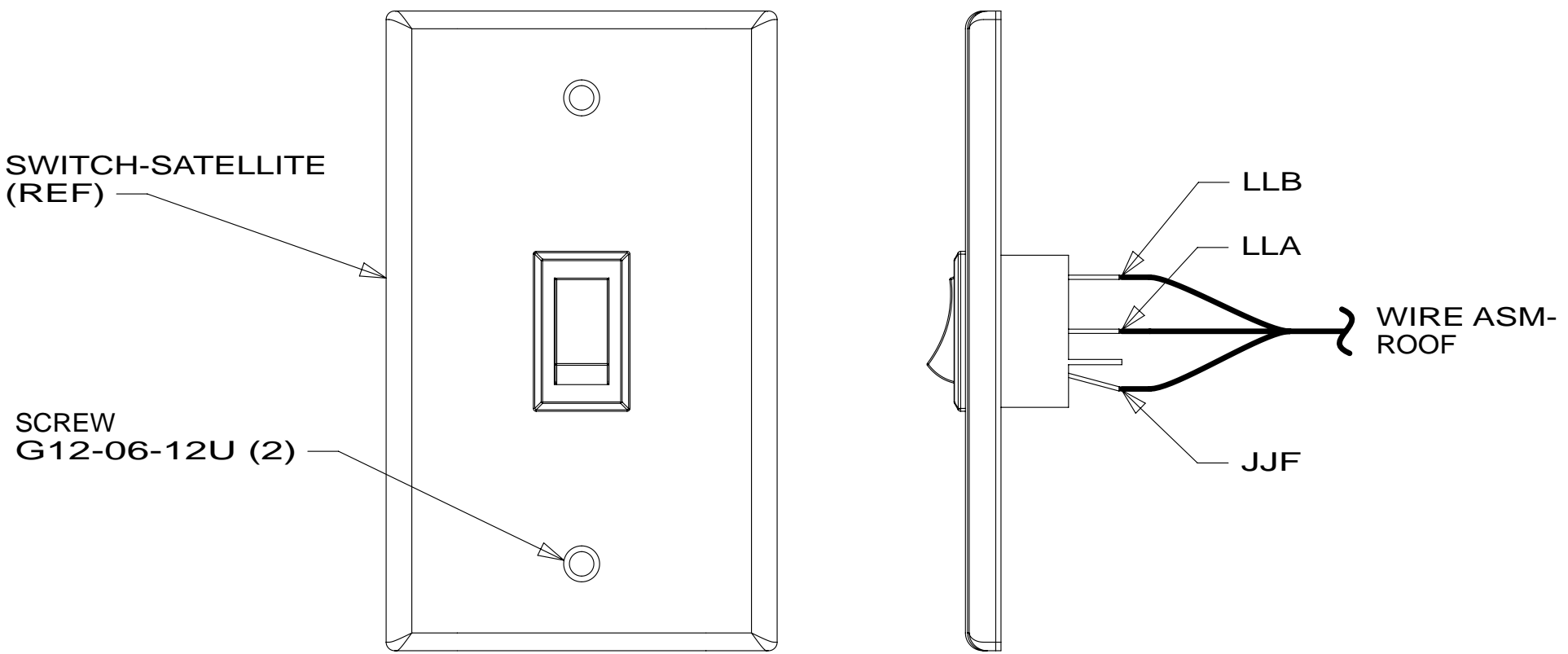
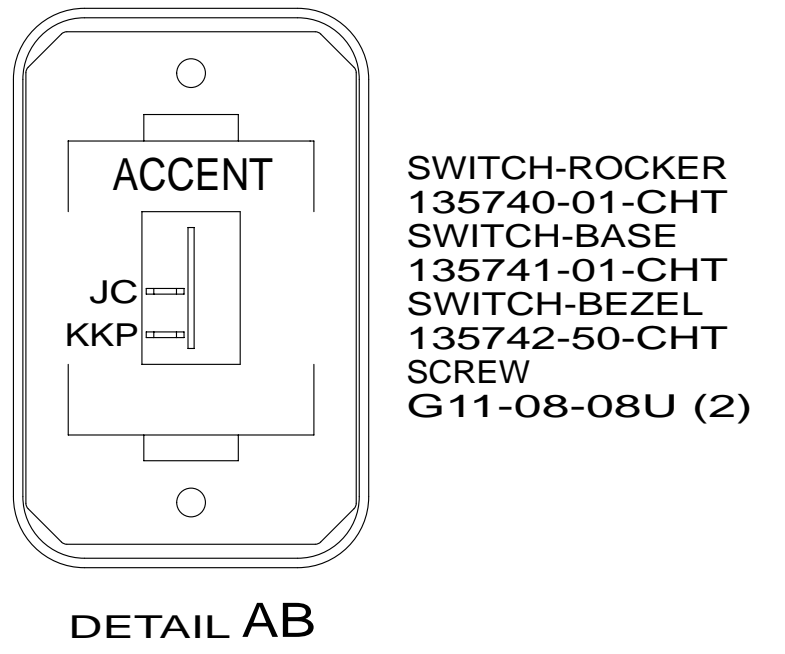
If you lack the skills, tools or equipment to perform diagnostic or repair work leave such work to an authorized Winnebago Industries dealer or other qualified shop.

DRAWING NO.	SHEETS	MODEL
184805-01	1,2,3,7	R42QD
184805-02	4,5,6,7	R42GD

RELEASE	REV/DATE	DWG NO	184805
REV ZONE	REVISION RECORD	DATE	DTR-ORIG



- NOTES:
- 4 PLACE I.R.E. IN FRONT OF BLU-RAY PLAYER AS SHOWN. (150 MM FROM RIGHT SIDE)
 - 3 INTERIOR CONTROL CONNECTS TO SATELLITE DATA CABLE. SEE ROOF ASM FOR ADDITIONAL INFORMATION.
 - 2 SET BLU-RAY PLAYER TO A MAX VIDEO OUTPUT OF 1080I.
 - 1 SNAP ROPE LIGHT IN CHANNELS ON OVHD CABINETS.



- 783 SATELLITE HD TV SYSTEM AUTOC
- 68D TV-40" COLOR,STEREO W/REMOTE
- 25M HOME THEATER SYSTEM, BLU-RAY
- 78C SATELLITE SYSTEM READY
- 48P SAT TV SYSTEM IN-MOTION
- 265 CODES/STANDARDS-CSA/CMVSS
- 1B1 CODES/STANDARDS USA

WINNEBAGO COPYRIGHT 2014 WINNEBAGO INDUSTRIES, INC.

DTR	ORIG. DATE
CHRR	ALL DIMENSIONS ARE IN MILLIMETERS
P.E.	FIRST USED
M.E.	14 R-SERIES
DSNR	MATERIAL:
UNSPECIFIED TOLERANCES ARE:	
WHOLE DIM (X)	: 3
ONE-PLACE (X.X)	: 1.5
TWO-PLACE (X.XX)	: 0.50
ANGLE	: 1'
THIRD ANGLE PROJECTION	
DO NOT SCALE DRAWING	REFER TO ES0018 FOR FASTENER TIGHTENING GUIDELINES
TITLE: WIRING INSTL-TV/DVD	
SHEET 1 OF 7	PART NO 184805 REV
REF:	1 03-Apr-2014

FOR ELECTRICAL TORQUE SPECIFICATIONS SEE DWG NO. 128783-01-000

FOR ELECTRICAL CALLOUTS SEE DWG NO. 121339-01-000

* 184805 *

8 7 6 5 4 3 2 1

D

D

C

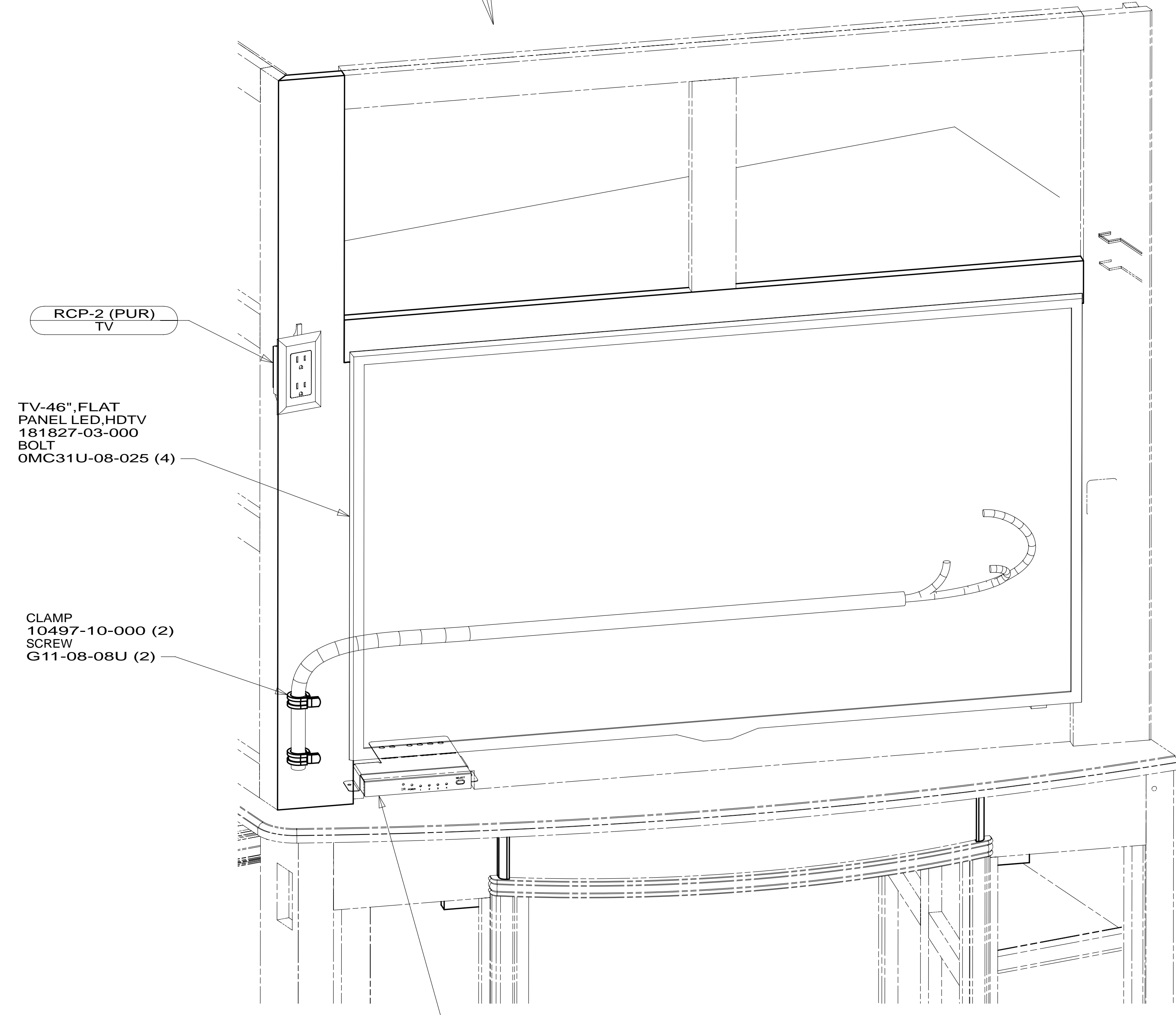
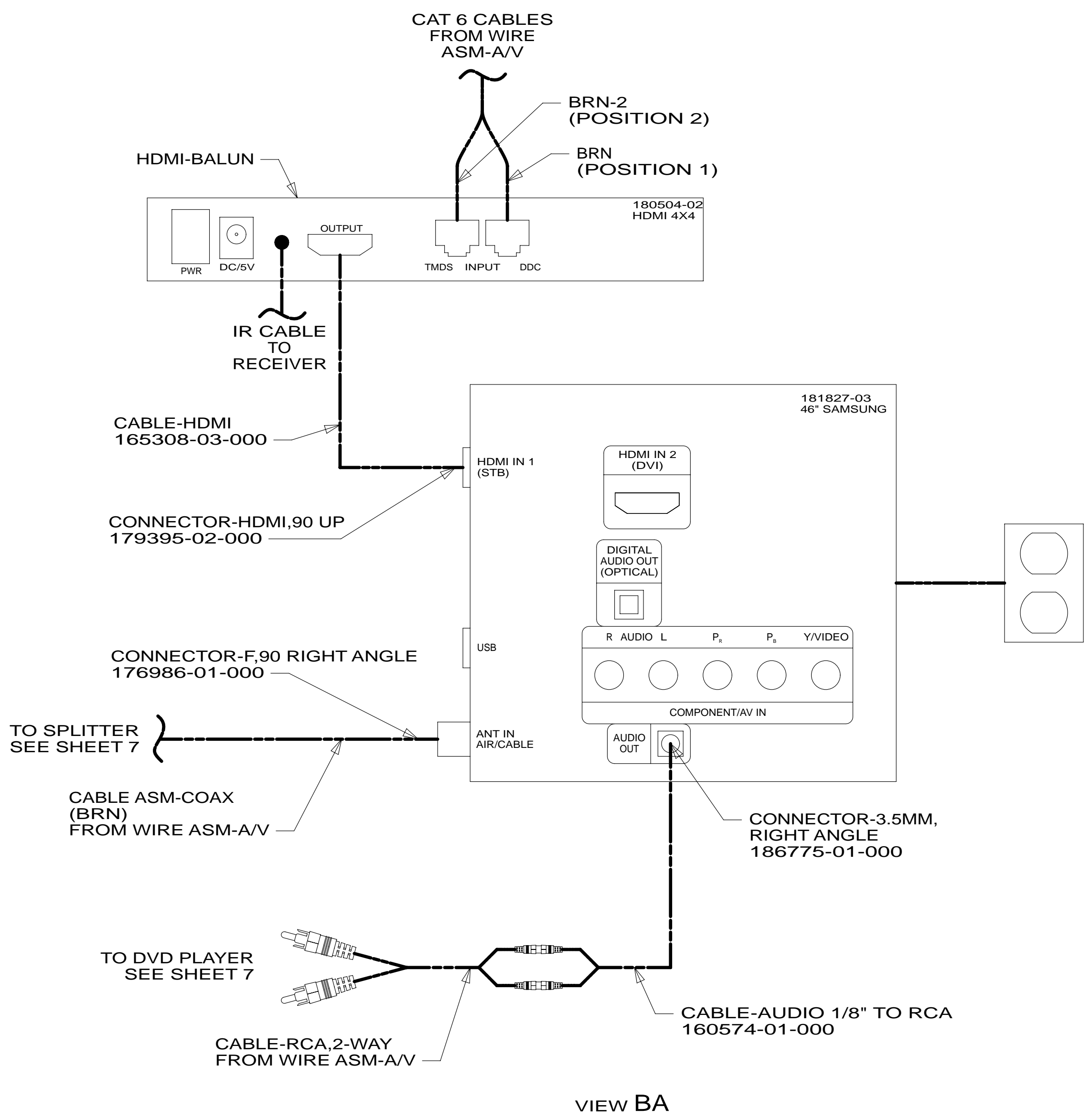
C

B

B

A

A



265 CODES/STANDARDS-CSA/CMVSS

1B1 CODES/STANDARDS USA

1B1 265

FIRST USED **14 R-SERIES**

DO NOT SCALE DRAWING

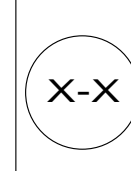
TITLE: **WIRING INSTL-TV/DVD**

SHEET 2 PART NO. **184805** REV

03-Apr-2014

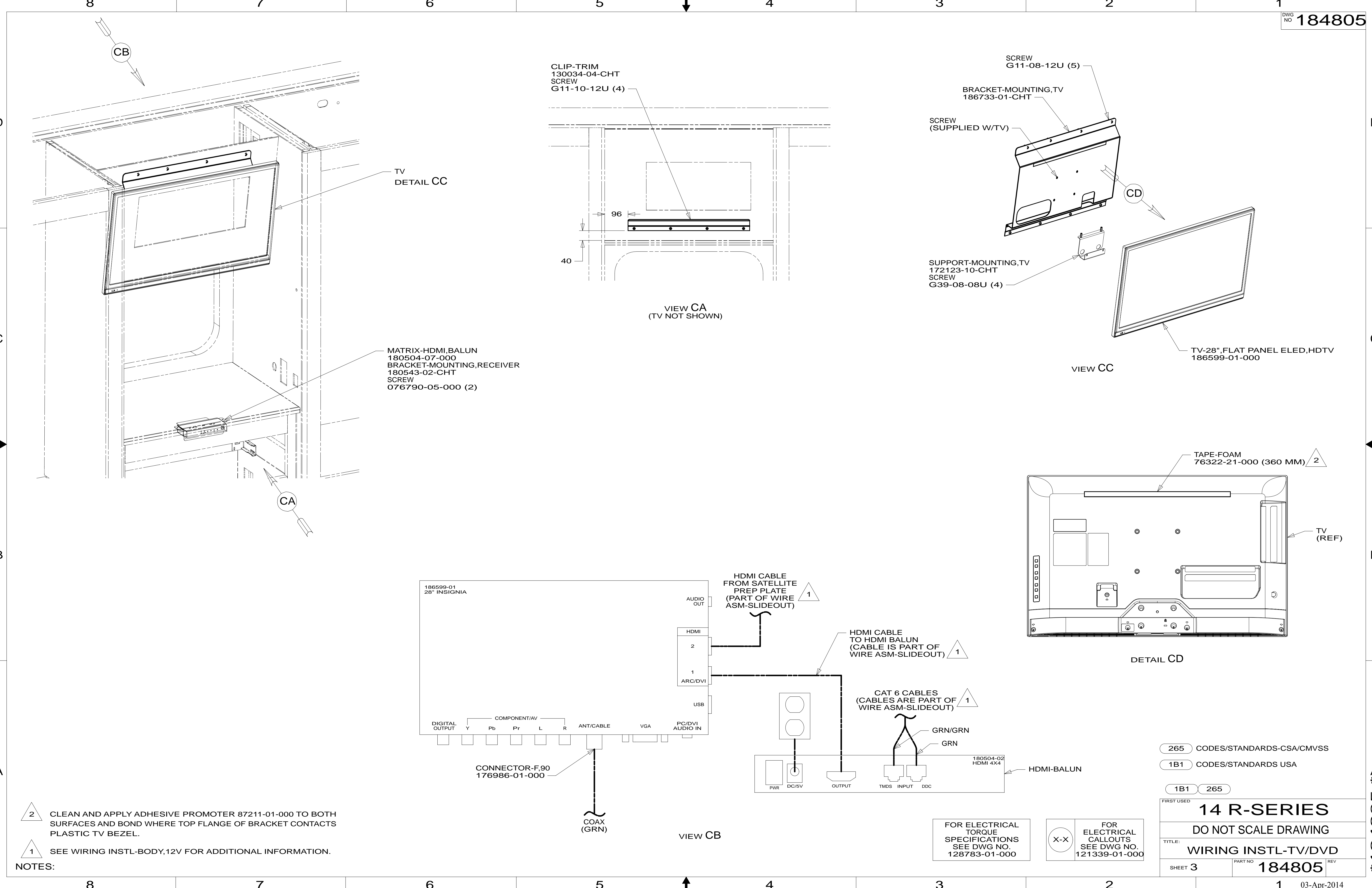
FOR ELECTRICAL TORQUE SPECIFICATIONS SEE DWG NO. 128783-01-000

FOR ELECTRICAL CALLOUTS SEE DWG NO. 121339-01-000



* 184805 * A

8 7 6 5 4 3 2 1



2 CLEAN AND APPLY ADHESIVE PROMOTER 87211-01-000 TO BOTH SURFACES AND BOND WHERE TOP FLANGE OF BRACKET CONTACTS PLASTIC TV BEZEL.

1 SEE WIRING INSTL-BODY, 12V FOR ADDITIONAL INFORMATION.

FOR ELECTRICAL TORQUE SPECIFICATIONS SEE DWG NO. 128783-01-000

FOR ELECTRICAL CALLOUTS SEE DWG NO. 121339-01-000

265 CODES/STANDARDS-CSA/CMVSS
1B1 CODES/STANDARDS USA

1B1 265

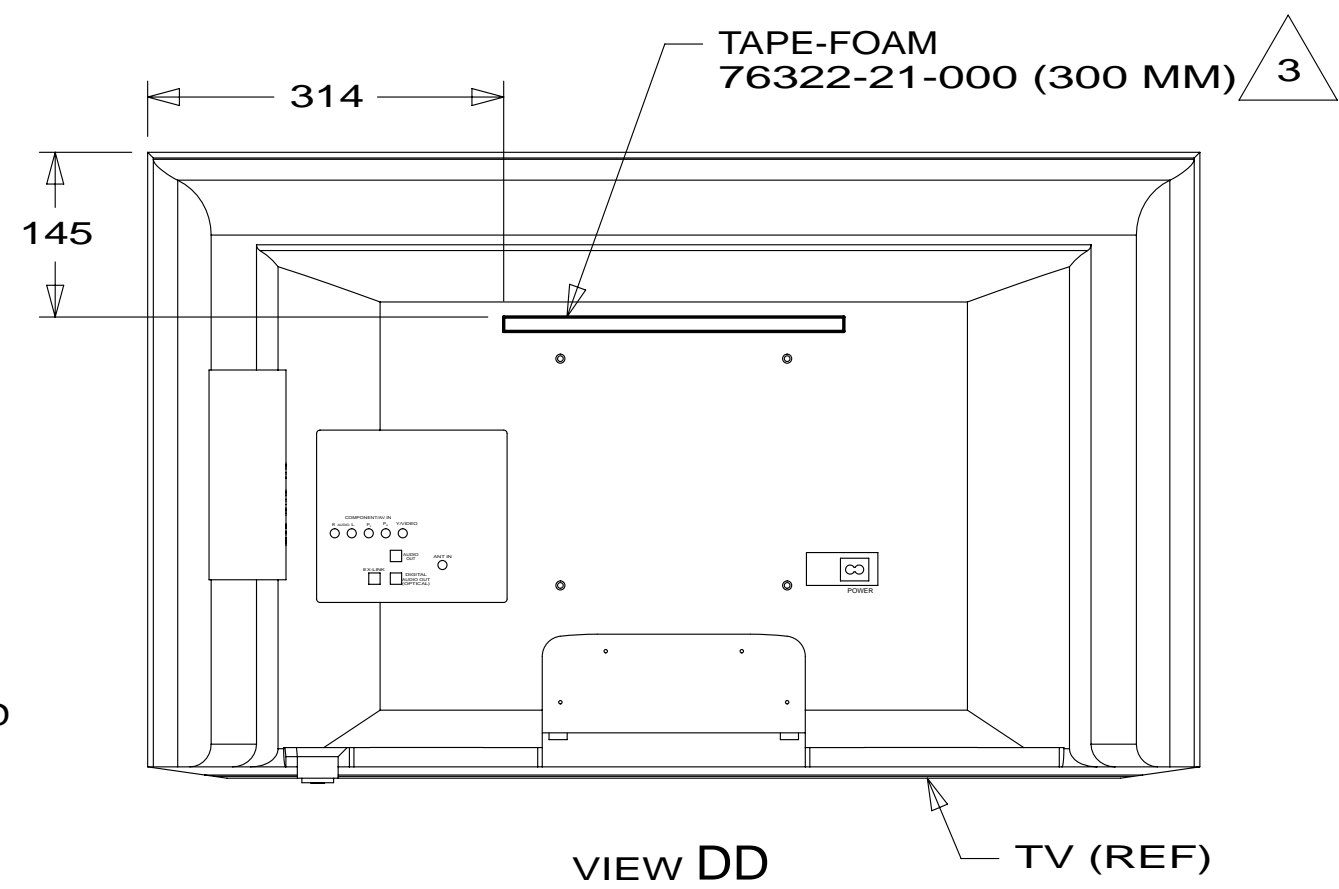
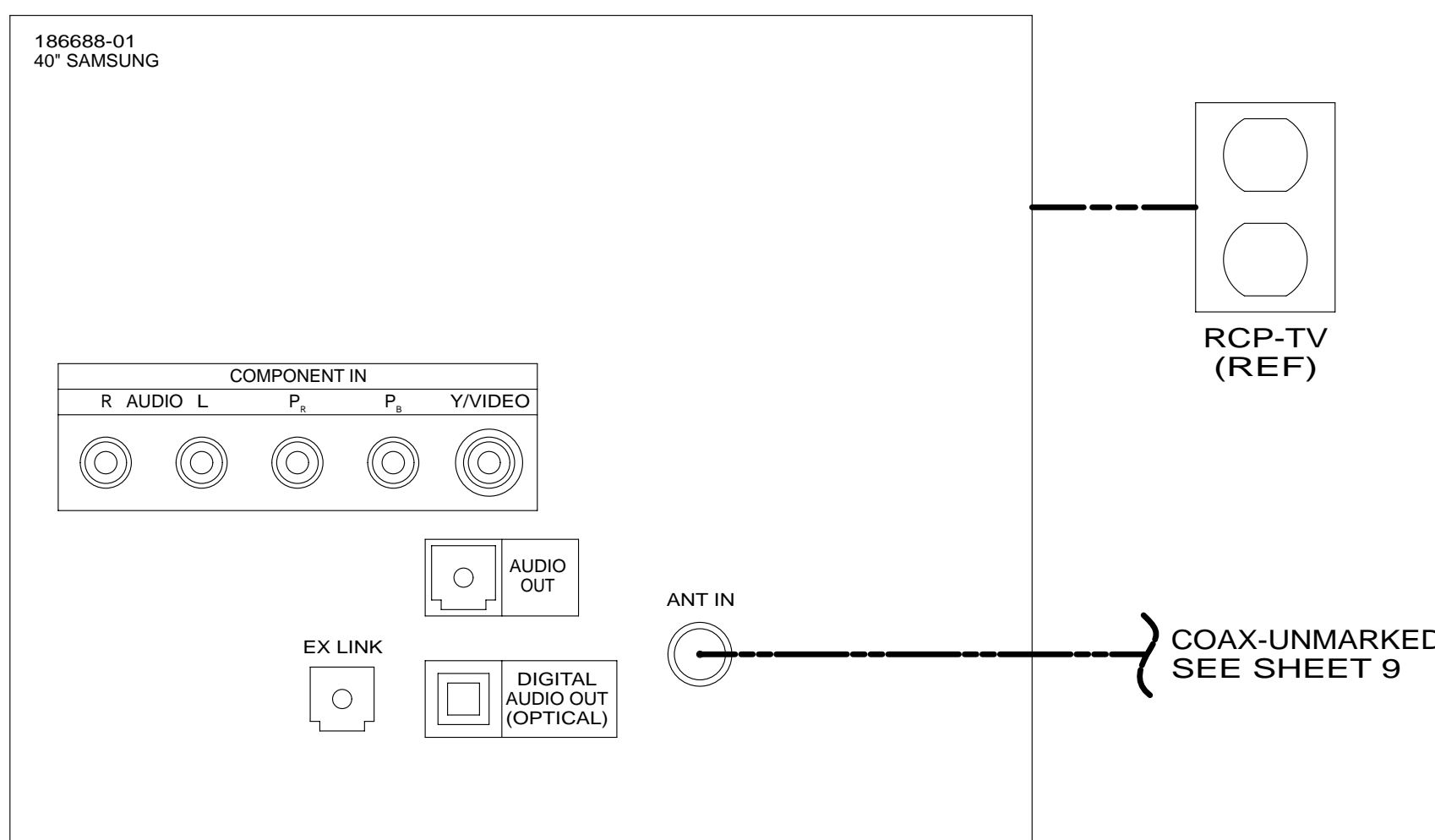
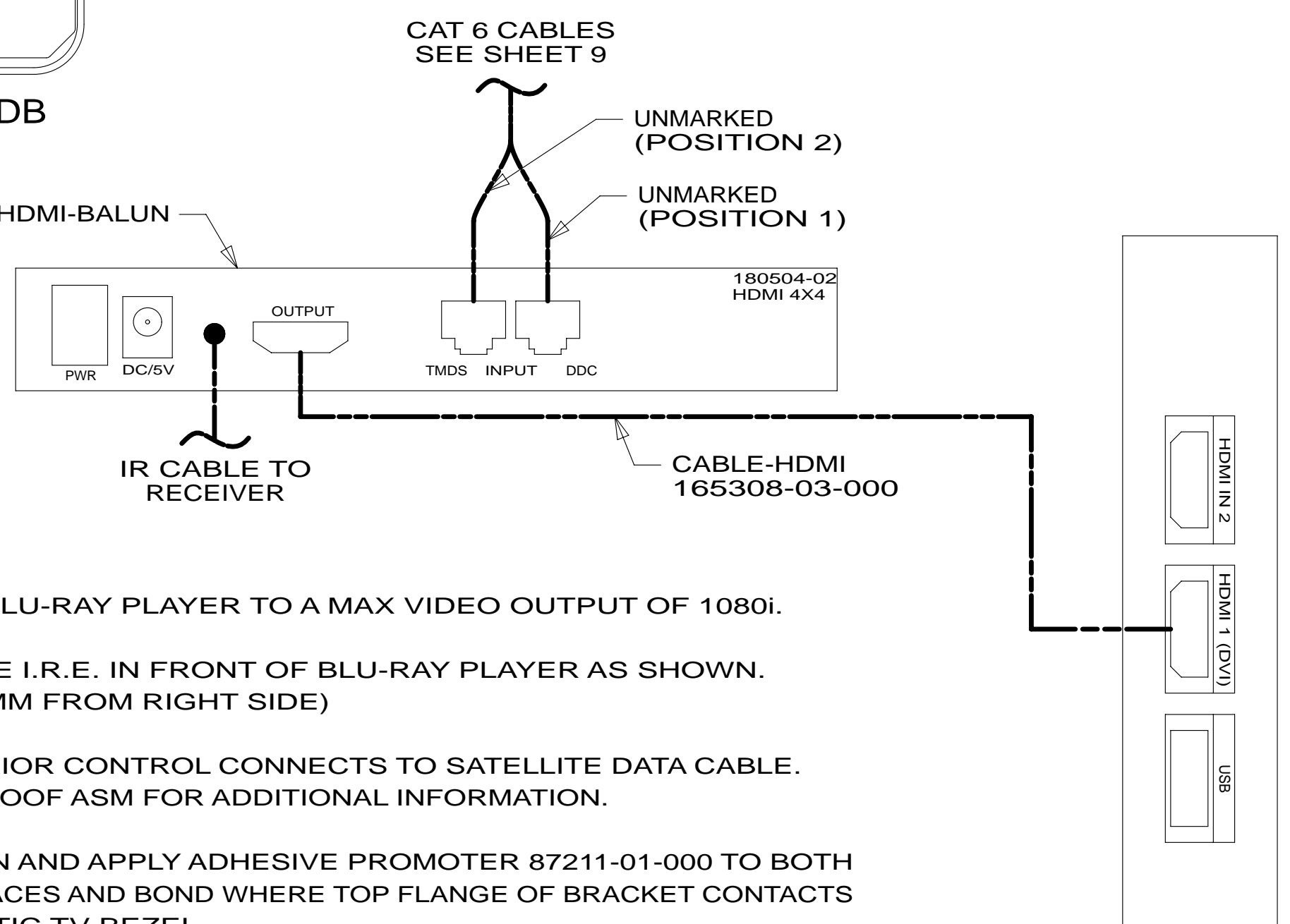
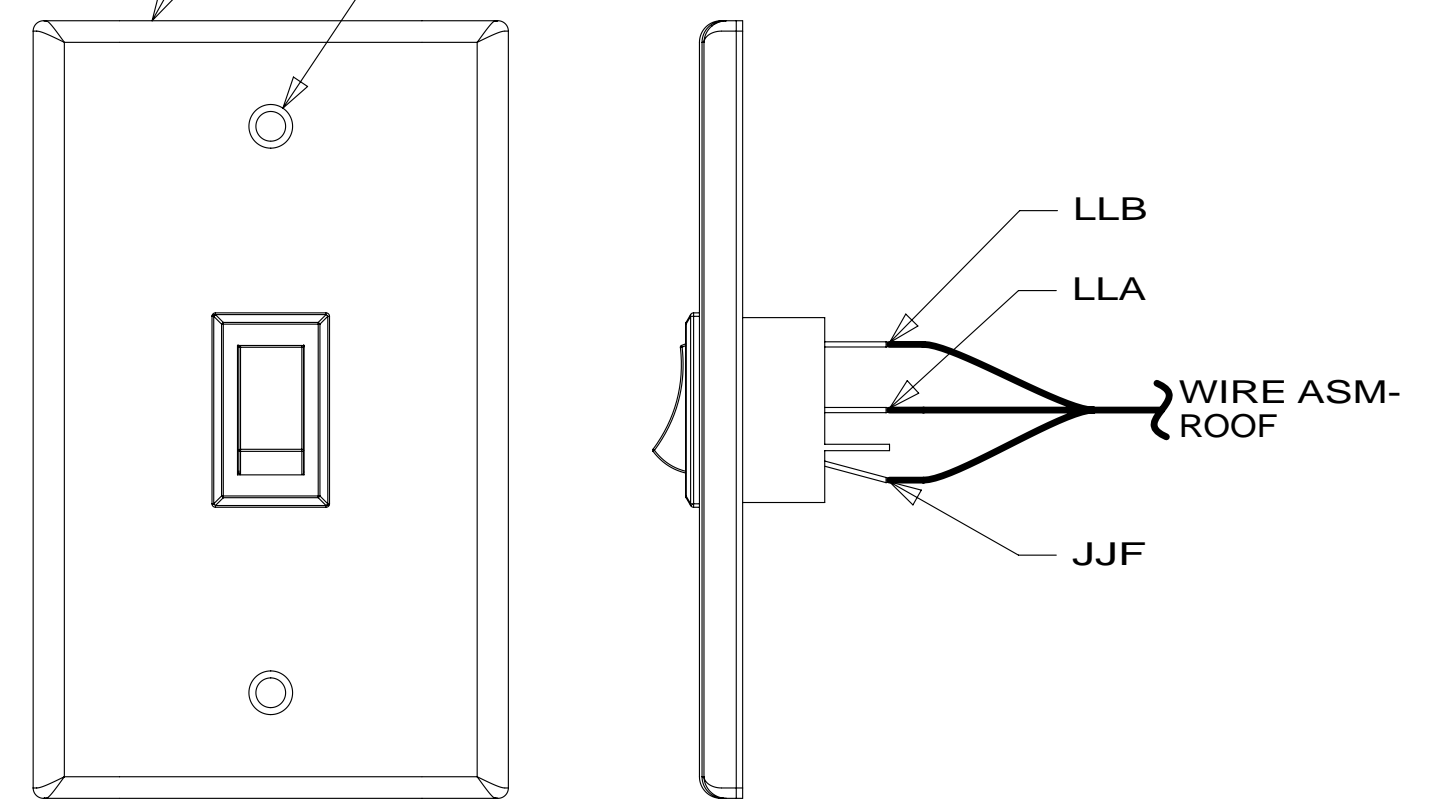
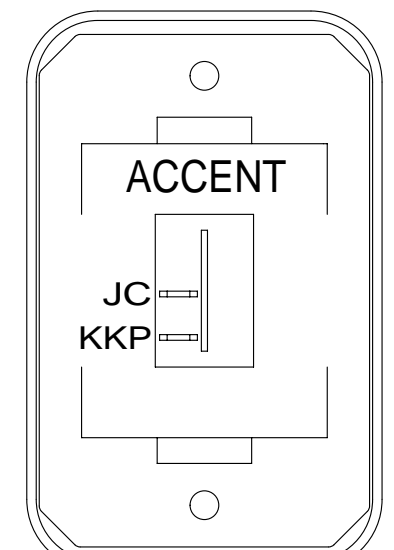
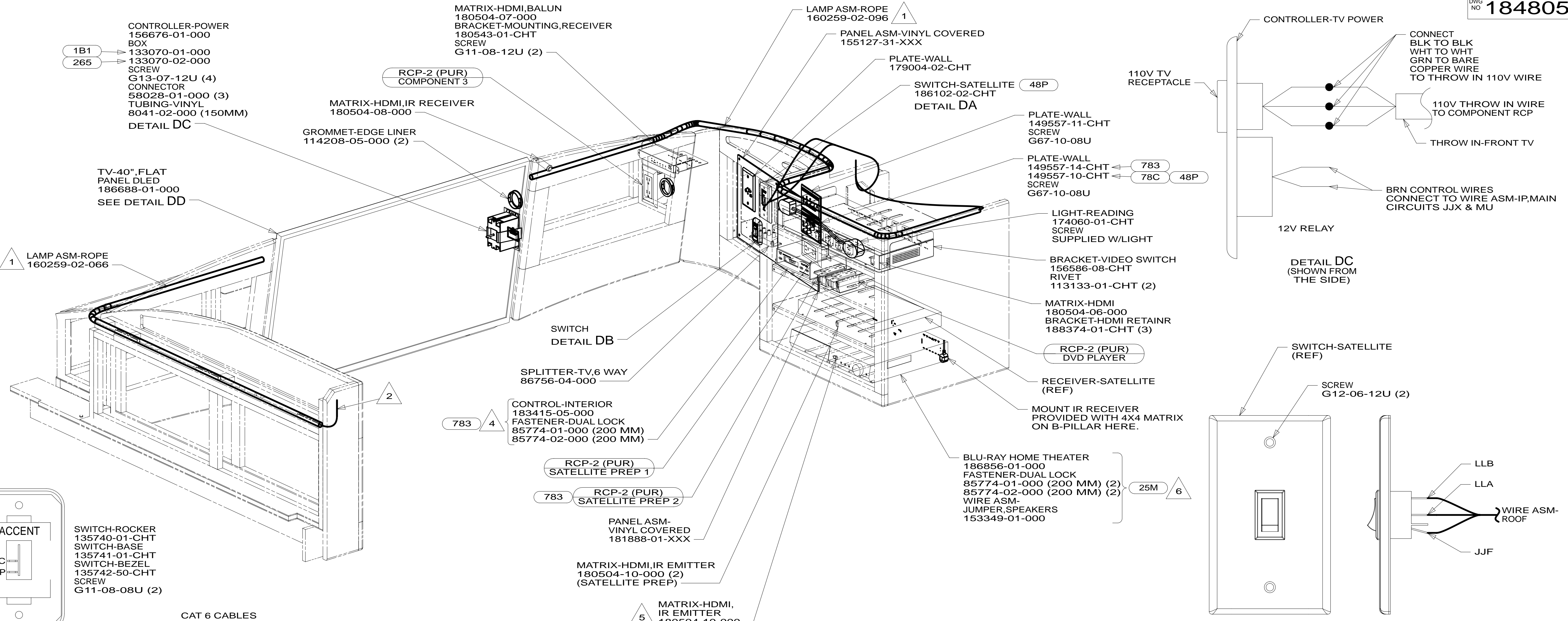
14 R-SERIES

DO NOT SCALE DRAWING

TITLE: **WIRING INSTL-TV/DVD**

SHEET 3 PART NO **184805** REV

* 184805 * A



- 783 SATELLITE HD TV SYSTEM AUTOC
- 68D TV-40" COLOR,STEREO W/REMOTE
- 25M HOME THEATER SYSTEM, BLU-RAY
- 78C SATELLITE SYSTEM READY
- 48P SAT TV SYSTEM IN-MOTION
- 265 CODES/STANDARDS-CSA/CMVSS
- 1B1 CODES/STANDARDS USA

- NOTES:**
- 6 SET BLU-RAY PLAYER TO A MAX VIDEO OUTPUT OF 1080i.
 - 5 PLACE I.R.E. IN FRONT OF BLU-RAY PLAYER AS SHOWN. (150 MM FROM RIGHT SIDE)
 - 4 INTERIOR CONTROL CONNECTS TO SATELLITE DATA CABLE. SEE ROOF ASM FOR ADDITIONAL INFORMATION.
 - 3 CLEAN AND APPLY ADHESIVE PROMOTER 87211-01-000 TO BOTH SURFACES AND BOND WHERE TOP FLANGE OF BRACKET CONTACTS PLASTIC TV BEZEL.
 - 2 PLACE CONNECTOR HERE TO MAKE CONNECTION TO MATING WIRE ASM CIRCUITS KKP & NC.
 - 1 SNAP ROPE LIGHT IN CHANNELS ON OVHD CABINETS.

FOR ELECTRICAL TORQUE SPECIFICATIONS SEE DWG NO. 128783-01-000

X-X FOR ELECTRICAL CALLOUTS SEE DWG NO. 121339-01-000

FIRST USED

14 R-SERIES

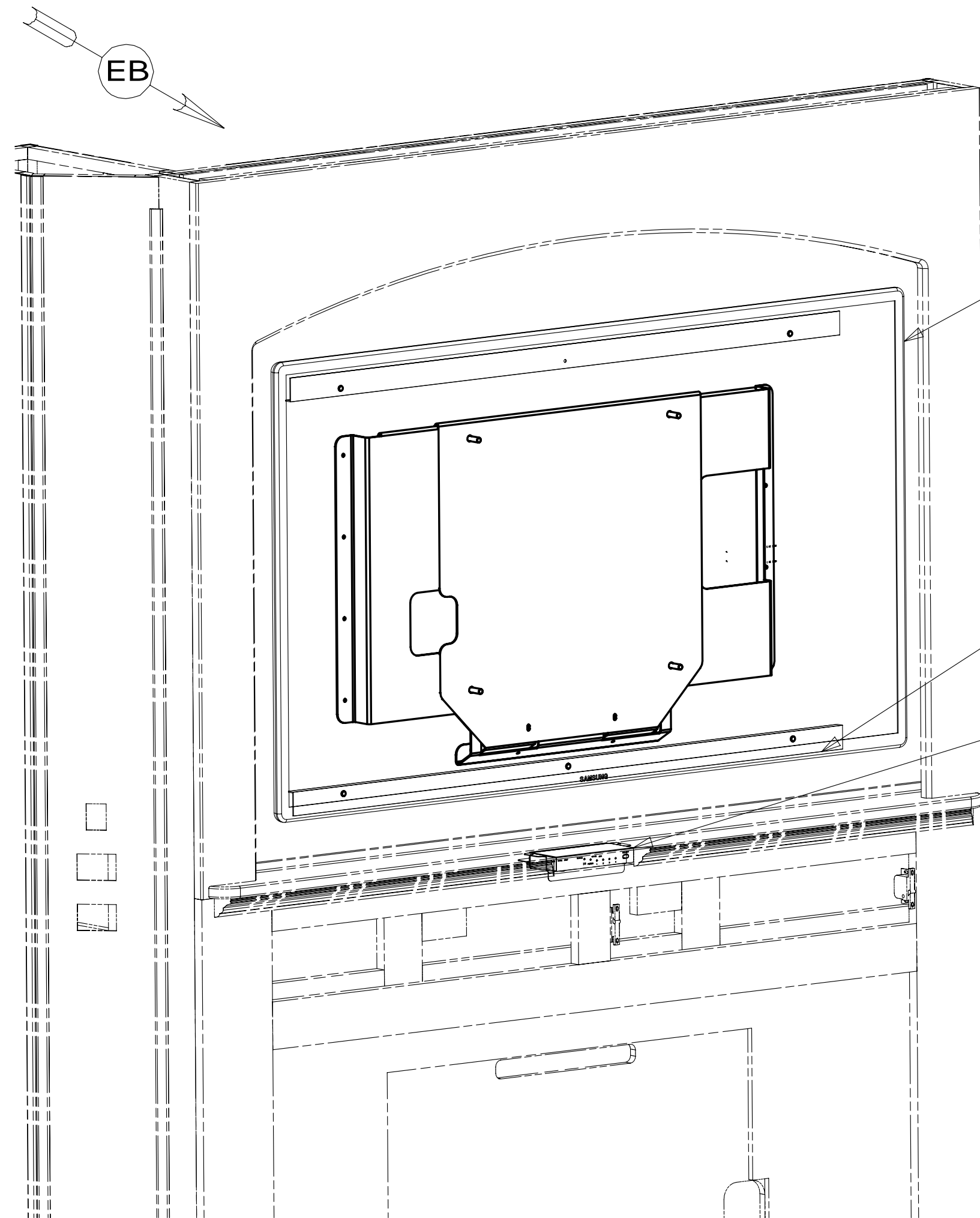
DO NOT SCALE DRAWING

TITLE: **WIRING INSTL-TV/DVD**

SHEET 4 PART NO. **184805** REV

03-Apr-2014

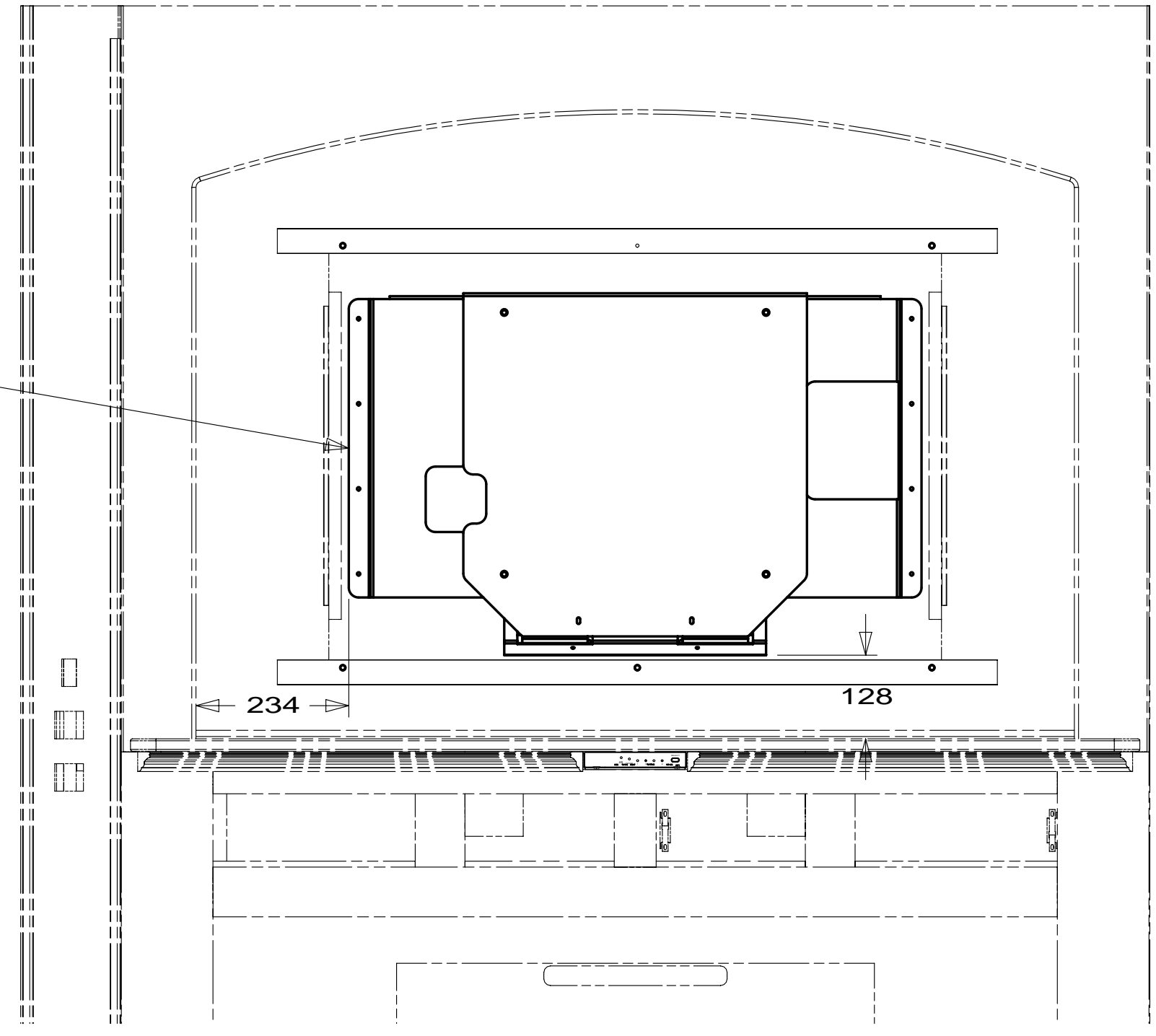
* 184805 * A



TV-55" FLAT
PANEL LED, HDTV
183165-02-000
BRACKET-MOUNTING,TV
169584-09-CHT
SCREW
OMC31U-08-025 (4)
(BRACKET TO TV)
SCREW
G39-08-12U (2)
(BRACKET TO BRACKET)

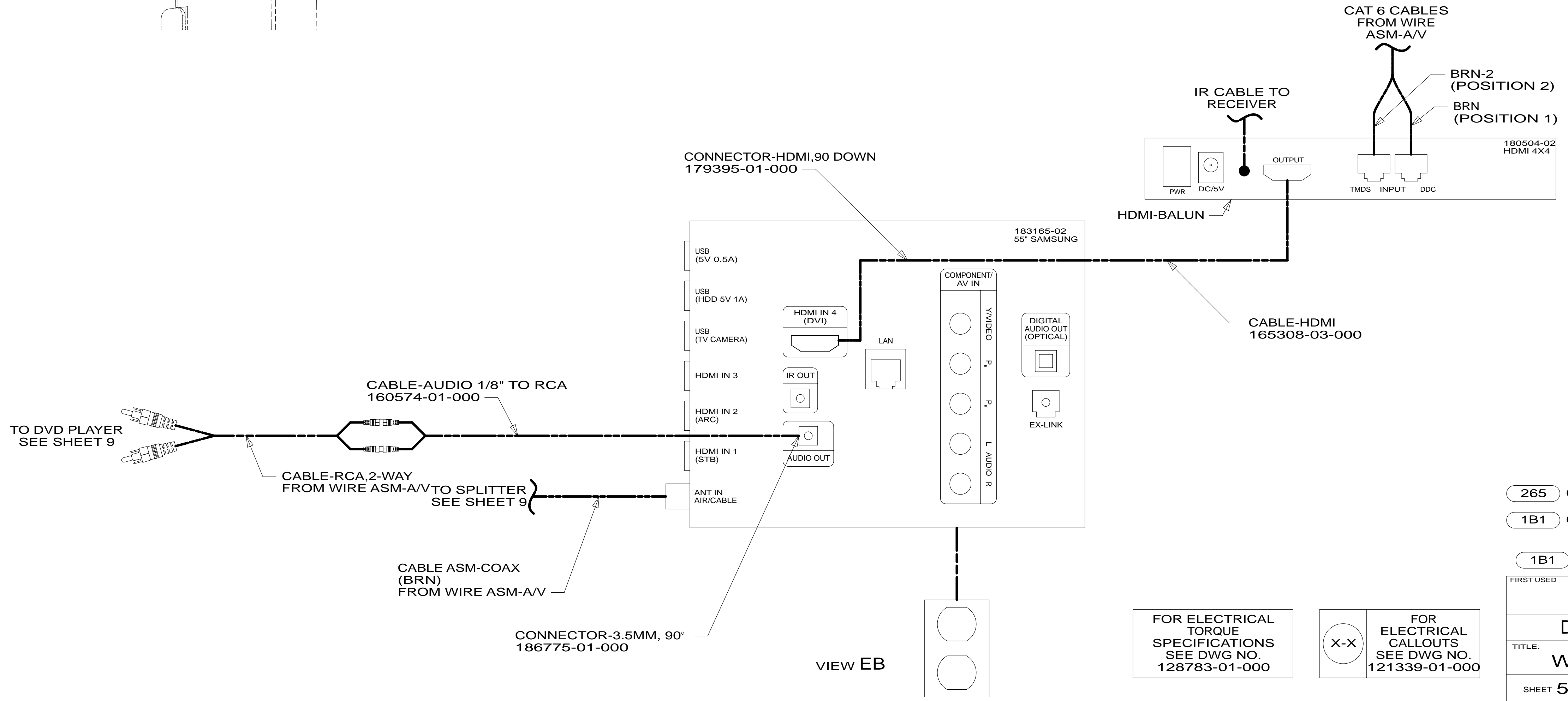
ANGLE-TRIM,AL
187327-01-CHT (2)
SCREW
000G11-08-12U (5)

MATRIX-HDMI,BALUN
180504-07-000
BRACKET
180543-02-CHT
SCREW
G11-08-12U (2)



BRACKET-TV
182334-03-CHT
SCREW
G11-08-12U (12)

VIEW EA
(TV NOT SHOWN)



265 CODES/STANDARDS-CSA/CMVSS
1B1 CODES/STANDARDS USA

1B1 265

FIRST USED
14 R-SERIES

DO NOT SCALE DRAWING

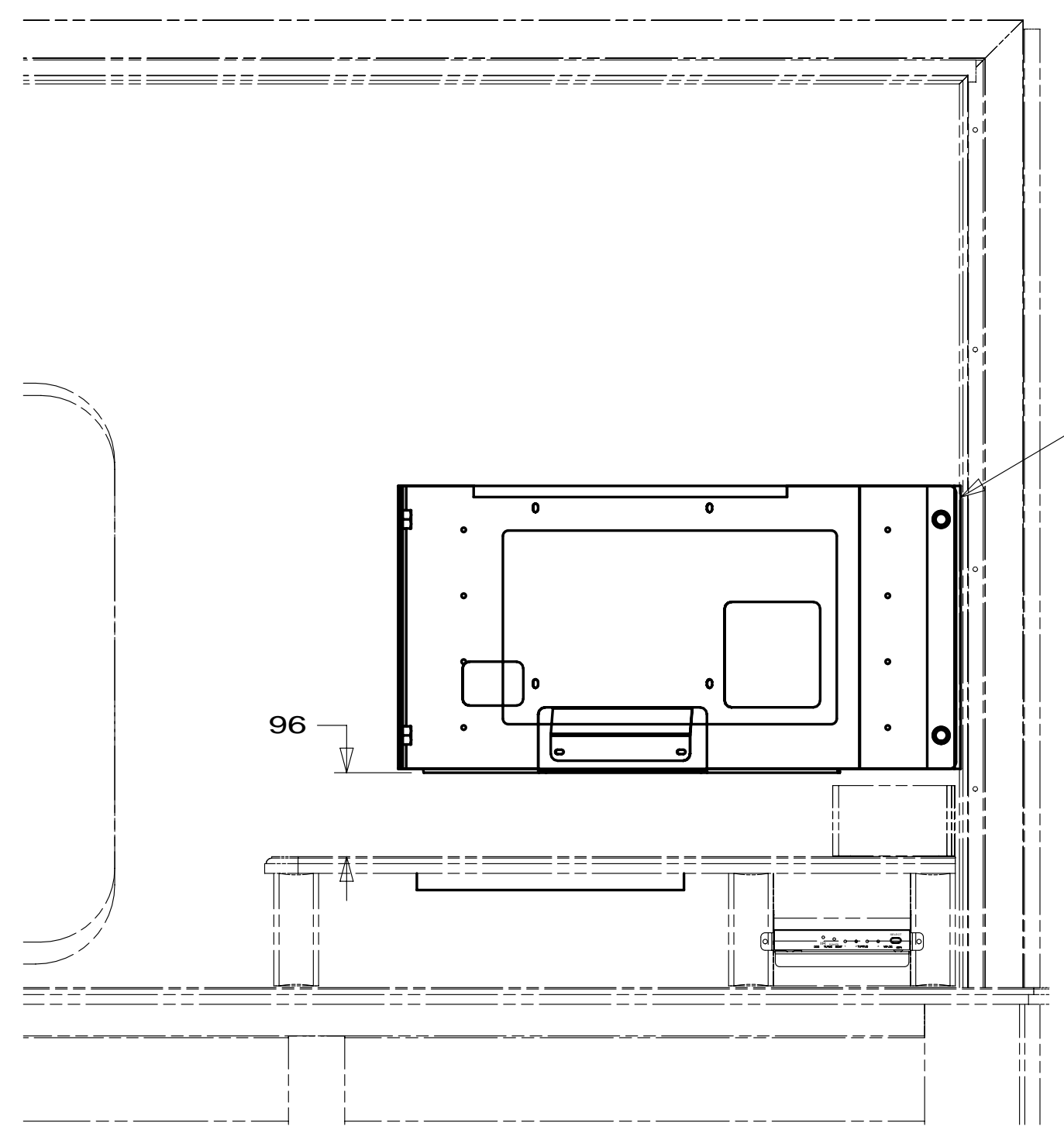
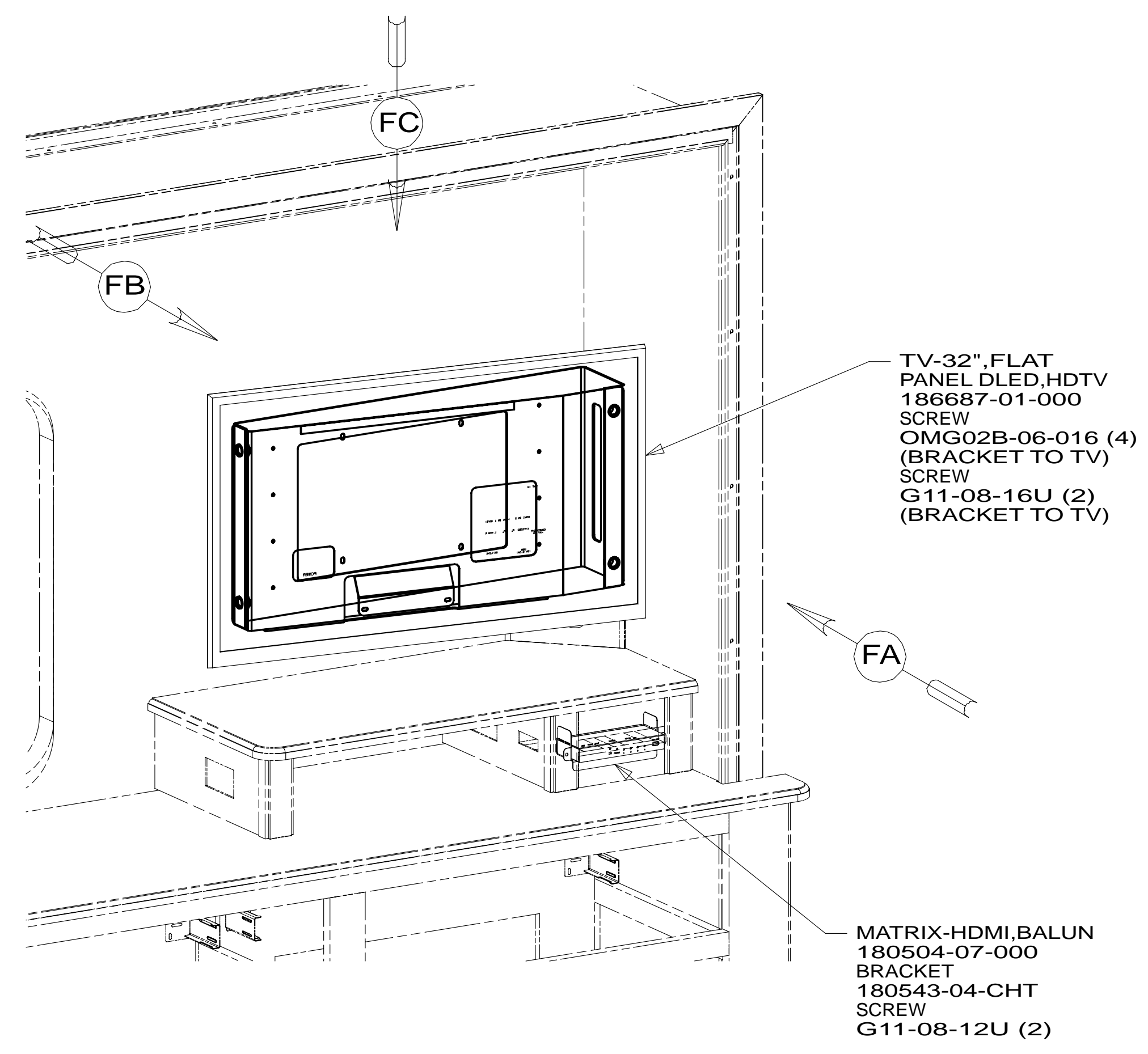
TITLE:
WIRING INSTL-TV/DVD

SHEET 5 PART NO **184805** REV

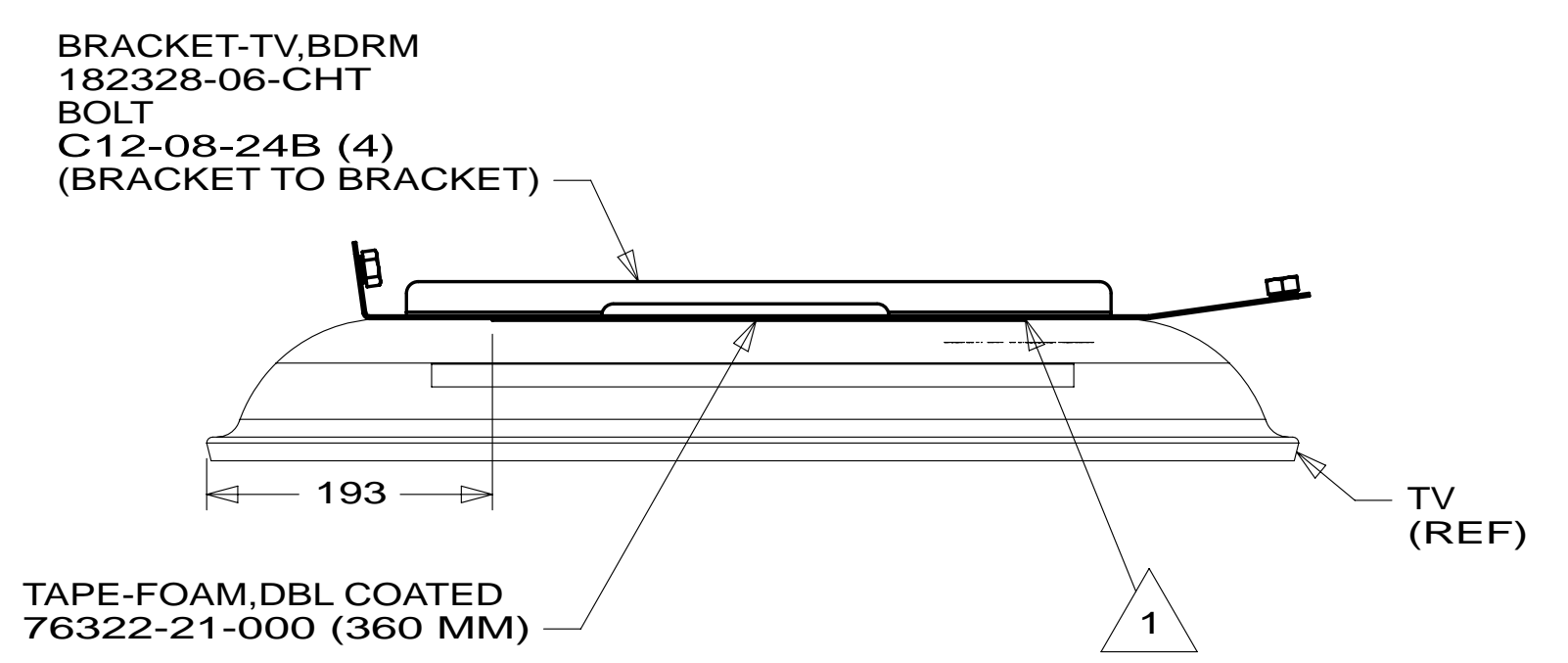
FOR ELECTRICAL
TORQUE
SPECIFICATIONS
SEE DWG NO.
128783-01-000

FOR
ELECTRICAL
CALLOUTS
SEE DWG NO.
121339-01-000

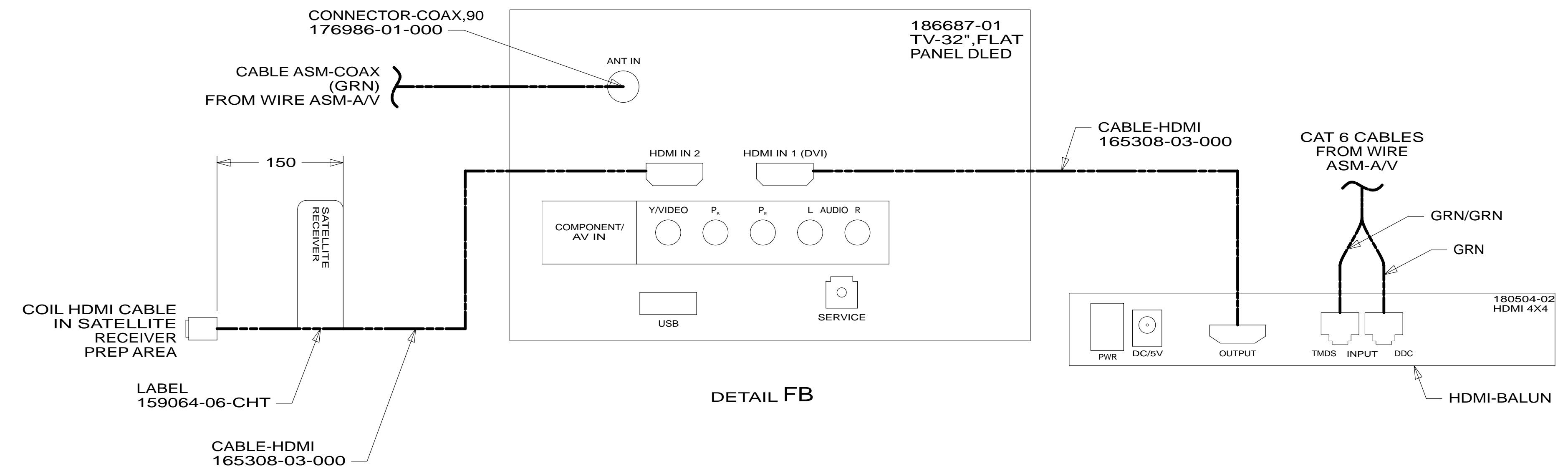
* 184805 * A



VIEW FA
(TV NOT SHOWN)



VIEW FC



DETAIL FB

1 CLEAN AND APPLY ADHESIVE PROMOTER 87211-01-000 TO BOTH SURFACES AND BOND WHERE TOP FLANGE OF BRACKET CONTACTS PLASTIC TV BEZEL.

NOTES:

FOR ELECTRICAL TORQUE SPECIFICATIONS SEE DWG NO. 128783-01-000

FOR ELECTRICAL CALLOUTS SEE DWG NO. 121339-01-000

265 CODES/STANDARDS-CSA/CMVSS

1B1 CODES/STANDARDS USA

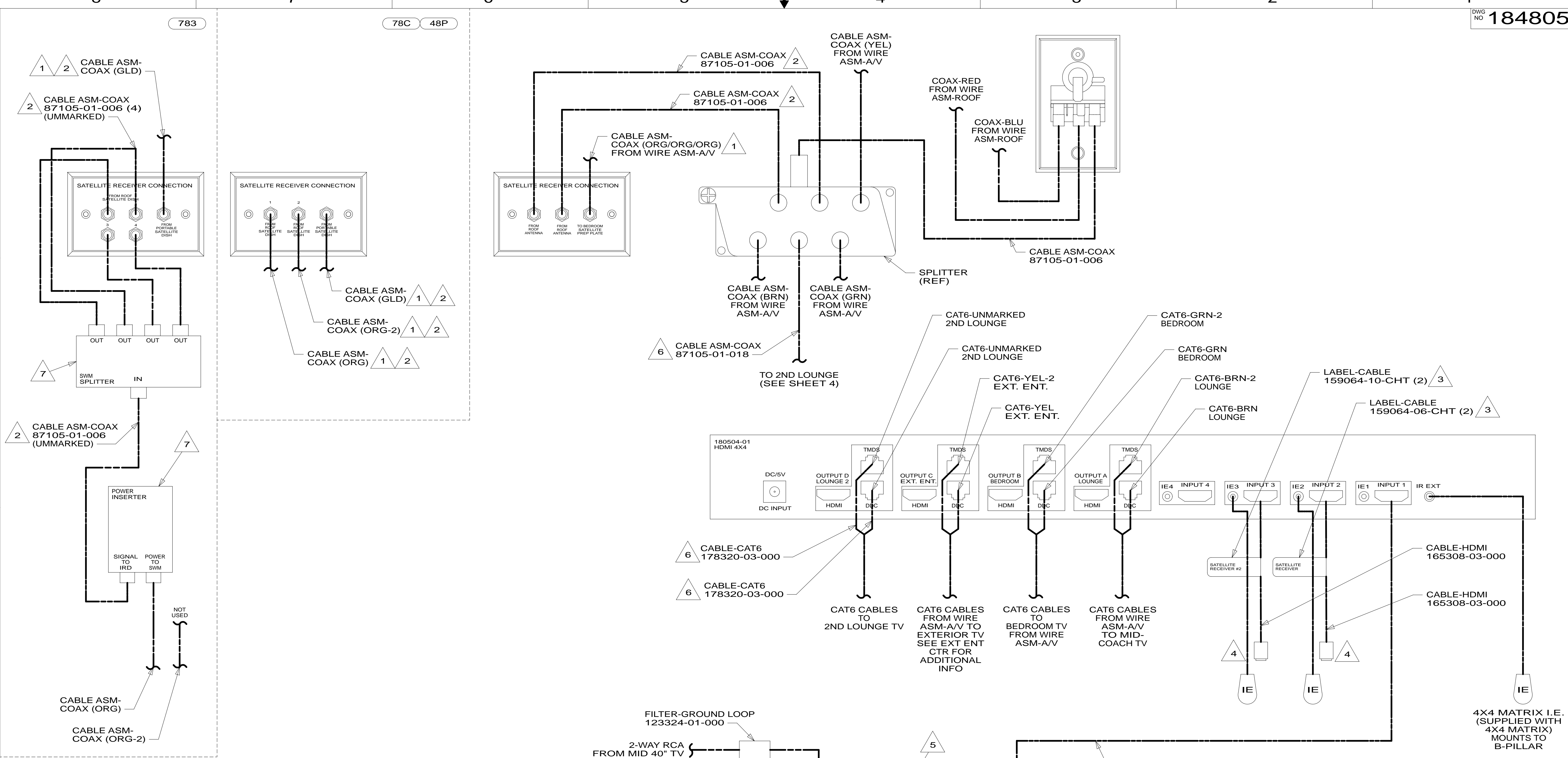
1B1 265

FIRST USED
14 R-SERIES

DO NOT SCALE DRAWING

TITLE:
WIRING INSTL-TV/DVD

SHEET 6 PART NO **184805** REV



- NOTES:**
- 7 PARTS ARE SUPPLIED WITH INTERIOR CONTROL 183415-05-000.
 - 6 ONLY R42GD WITH 68D
 - 5 SET DVD/BLU-RAY PLAYER TO AUDIO ON HDMI AND MAX VIDEO OUTPUT RESOLUTION TO 1080i.
 - 4 COIL CABLE IN SATELLITE PREP AREA FOR FUTURE USE.
 - 3 ATTACH LABEL 100 MM FROM EACH END OF CABLE AND 400 MM FROM THE END OF THE IR EMMITTER CABLE.
 - 2 CABLE CONNECTS TO REAR SIDE OF PLATE.
 - 1 CABLE ROUTED IN ROOF.

783 SATELLITE HD TV SYSTEM AUTOC
 78C SATELLITE SYSTEM READY
 48P SAT TV SYSTEM IN-MOTION
 68D TV-40" COLOR, STEREO W/REMOTE
 265 CODES/STANDARDS-CSA/CMVSS
 1B1 CODES/STANDARDS USA

1B1 265 21R 1H5

FIRST USED
14 R-SERIES
 DO NOT SCALE DRAWING
 TITLE: **WIRING INSTL-TV/DVD**
 SHEET 7 PART NO **184805** REV
 03-Apr-2014

FOR ELECTRICAL TORQUE SPECIFICATIONS SEE DWG NO. 128783-01-000

X-X FOR ELECTRICAL CALLOUTS SEE DWG NO. 121339-01-000

* 184805 *