



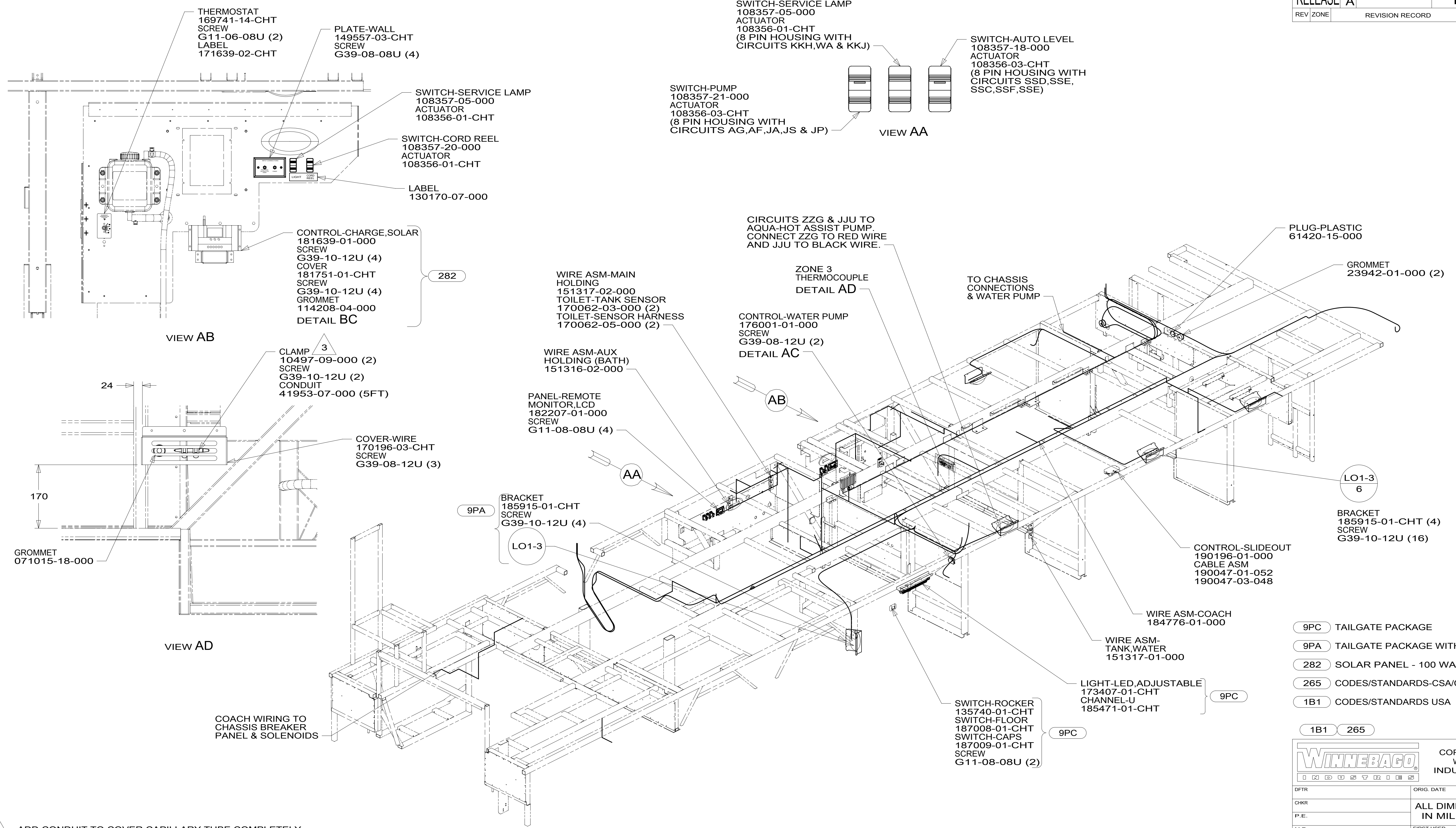
**DANGER**

**Danger of electrical shock, burns or death.** Always remove all power sources before attempting any repair, service or diagnostic work. Power can be present from shore power, generator, inverter or battery. All power sources must be disabled and secured before performing any service.

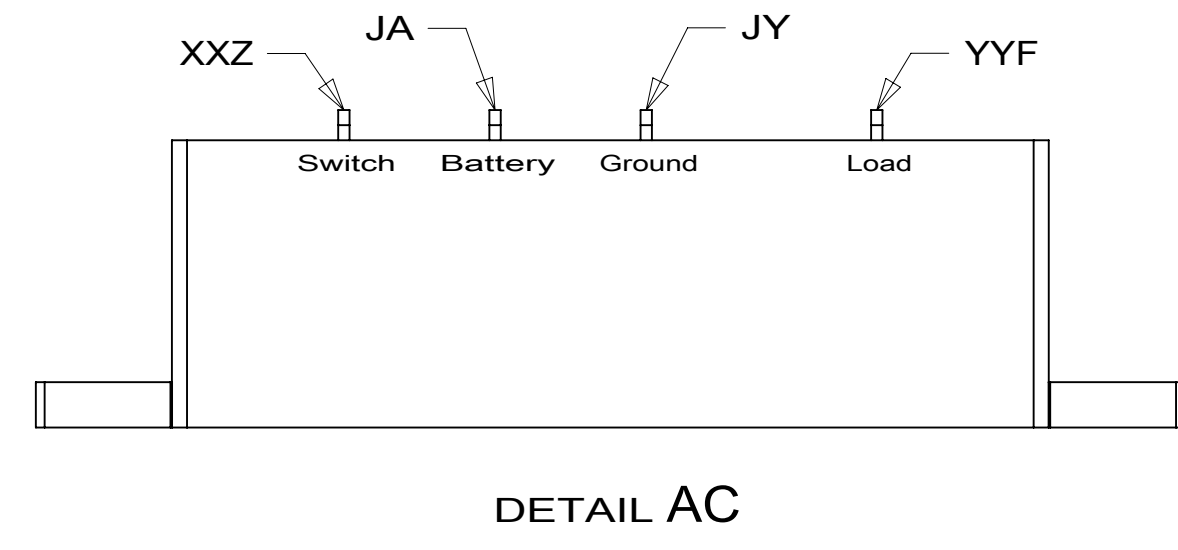


**CAUTION**

If you lack the skills, tools or equipment to perform diagnostic or repair work leave such work to an authorized Winnebago Industries dealer or other qualified shop.



- 3** ADD CONDUIT TO COVER CAPILLARY TUBE COMPLETELY. CLAMP OR WIRE TIE TO FRAME TUBES.
- 2.** ROUTE TANK SENSOR WIRES SO THEY DO NOT PASS OVER SENSORS. USE WIRE TIE MOUNT 155366-01-000 AND WIRE TIE 8343-01-000 AS NEEDED. TANK SURFACE MUST BE CLEANED USING ISOPROPYL ALCOHOL AND PRIMED WITH PRIMER 94.
- 1.** ALL WIRES TO BE SECURED WITH CLAMP 10495 OR 10497 OR WIRE TIE 8343 OR 108046 EVERY 600MM, USE SCREW G67-XX-XXX OR G56-XX-XXX AS APPROPRIATE FOR INSTALLATION.

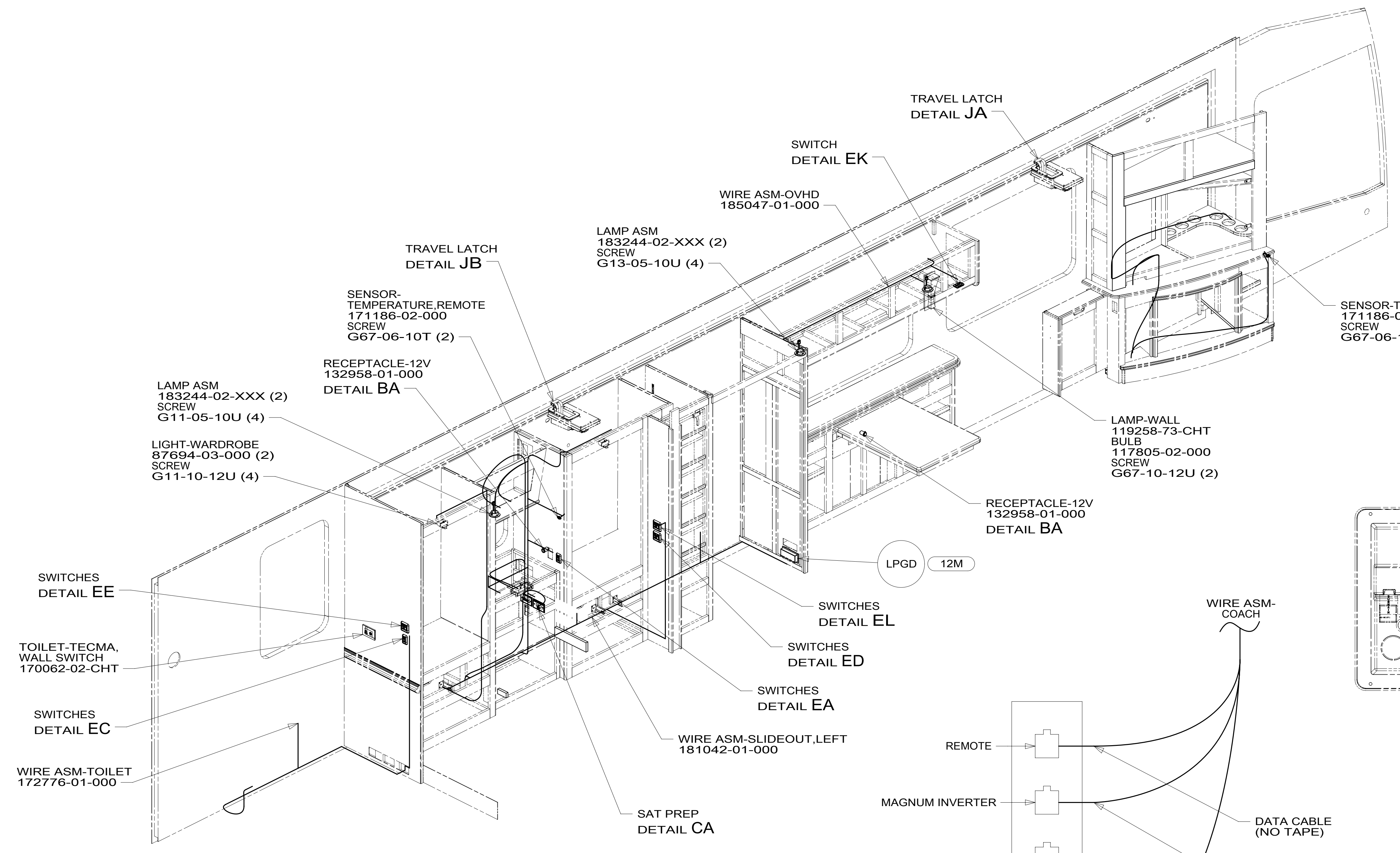
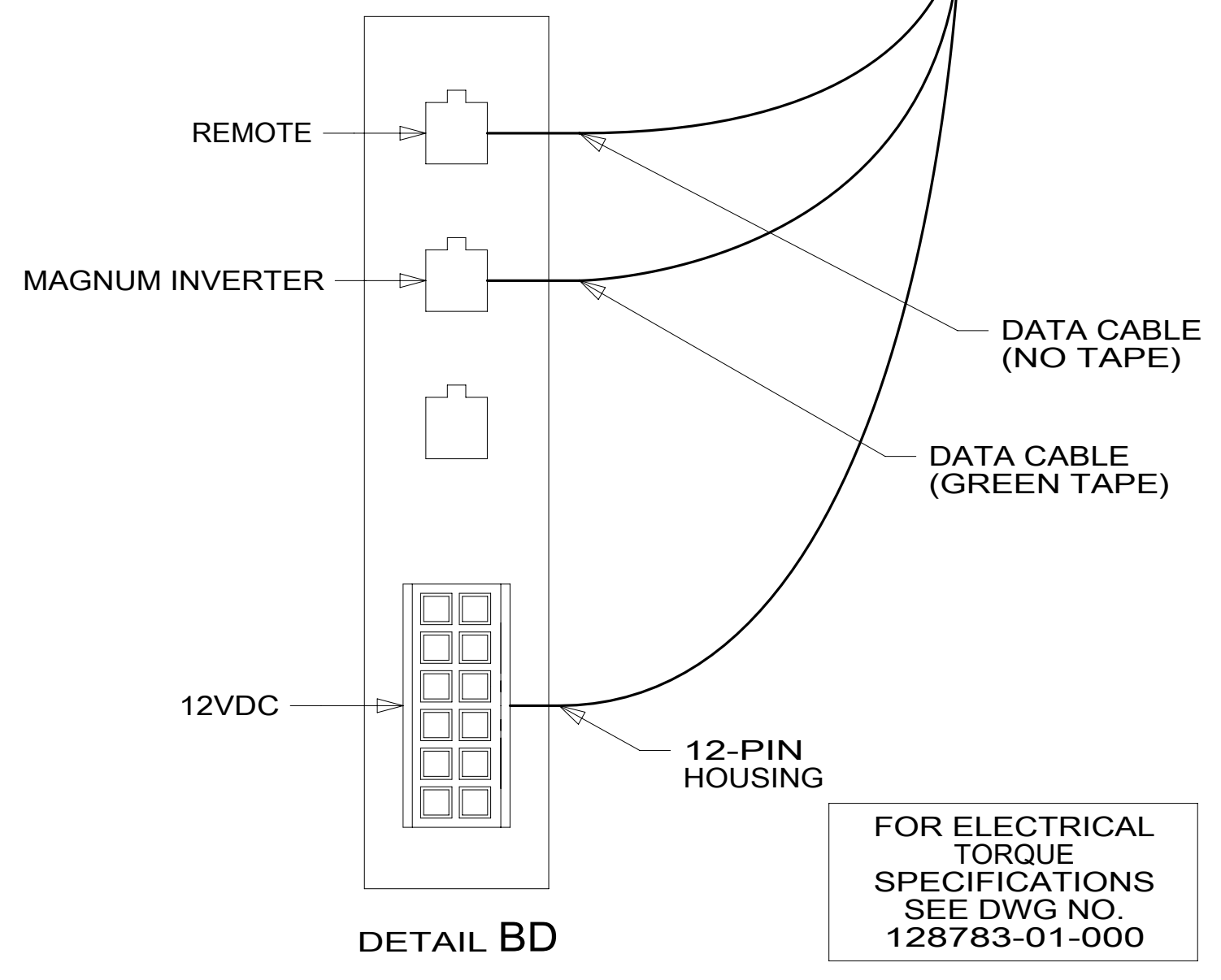
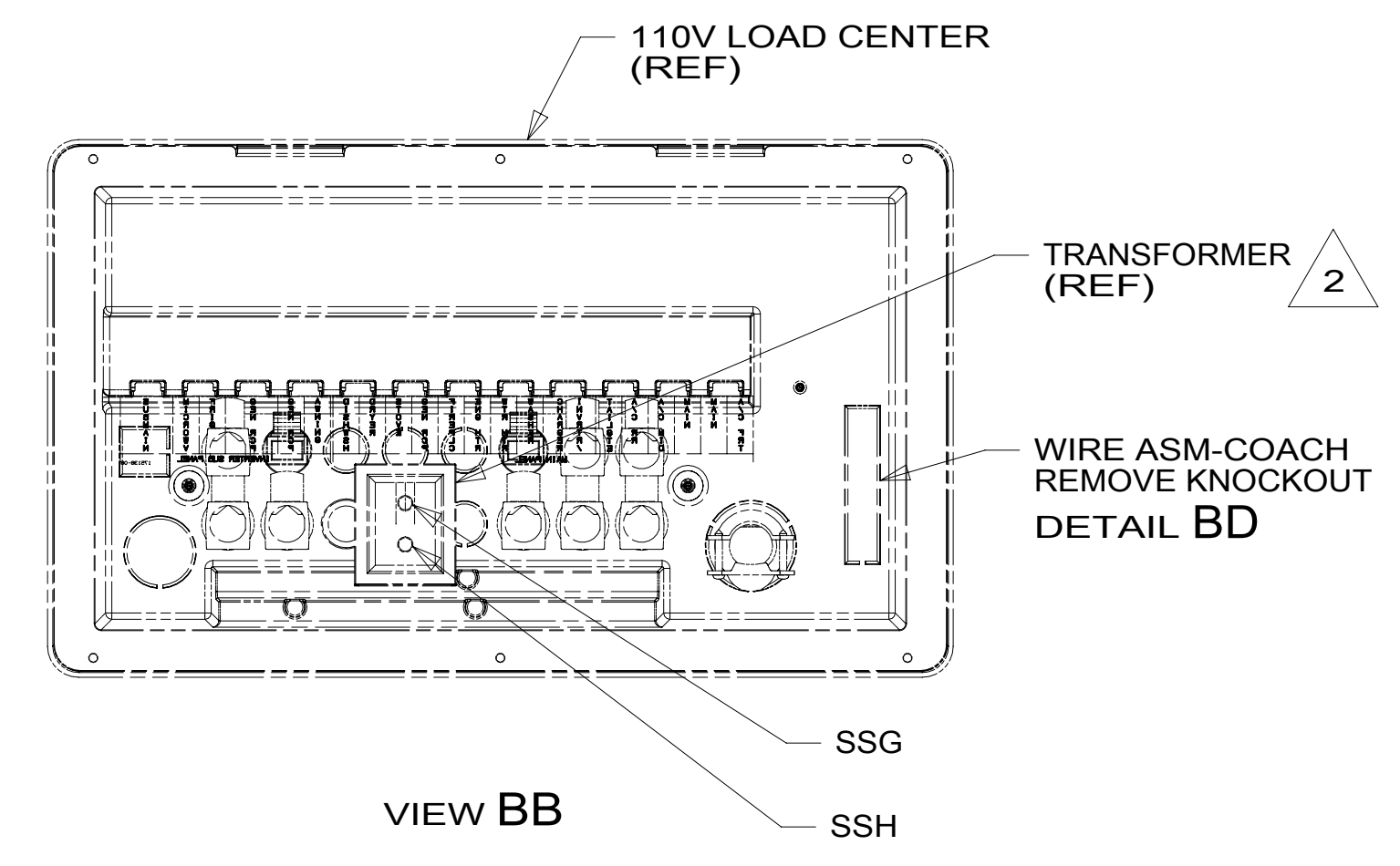
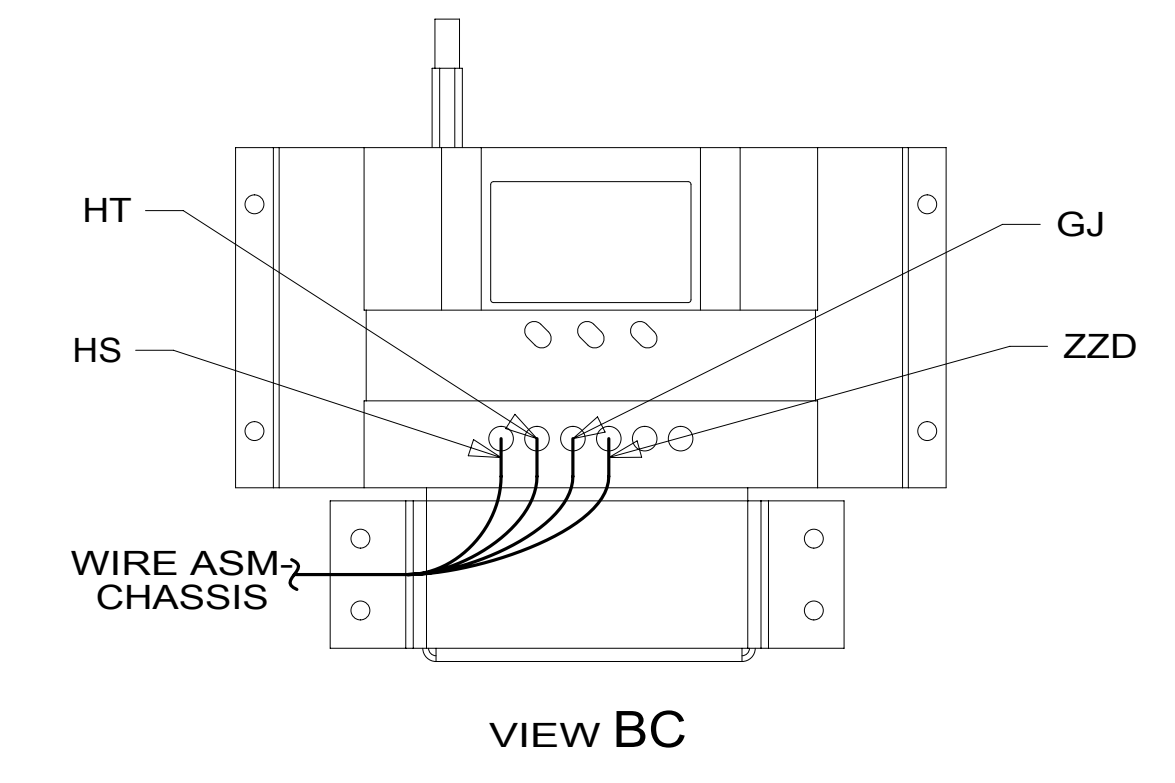
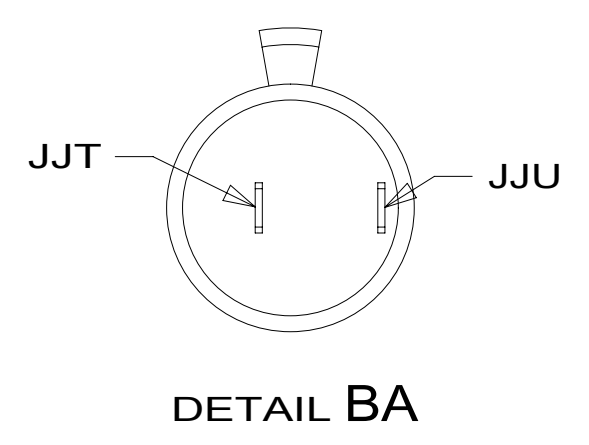


FOR ELECTRICAL TORQUE SPECIFICATIONS SEE DWG NO. 128783-01-000

FOR ELECTRICAL CALLOUTS SEE DWG NO. 121339-01-000

		COPYRIGHT 2014 WINNEBAGO INDUSTRIES, INC.	
DFTR	ORIG. DATE	ALL DIMENSIONS ARE IN MILLIMETERS	
CHKR		14 R42QD	
P.E.	FIRST USED	UNSPECIFIED TOLERANCES ARE:	
M.E.		WHOLE DIM (X)	: 3
DSNR		ONE-PLACE (X.X)	: 1.5
		TWO-PLACE (X.XX)	: 0.50
		ANGLE	: 1°
		THIRD ANGLE PROJECTION	
DO NOT SCALE DRAWING		REFER TO ES0018 FOR FASTENER TIGHTENING GUIDELINES	
TITLE: <b>WIRING INSTL-BODY, 12V</b>			
SHEET 1 OF 9	PART NO. 184773	REV	
REF:	1	11-Nov-2014	

\*184773\*



2 SEE LOAD CENTER/ATS ASM FOR ADDITIONAL INFORMATION.

- ALL WIRES TO BE SECURED WITH CLAMP 10495 OR 10497 OR WIRE TIE 8343 OR 108046 EVERY 600MM, USE SCREW G67-XX-XXX OR G56-XX-XXX AS APPROPRIATE FOR INSTALLATION.

NOTES:

- 12M LPG SYSTEM
- 265 CODES/STANDARDS-CSA/CMVSS
- 1B1 CODES/STANDARDS USA

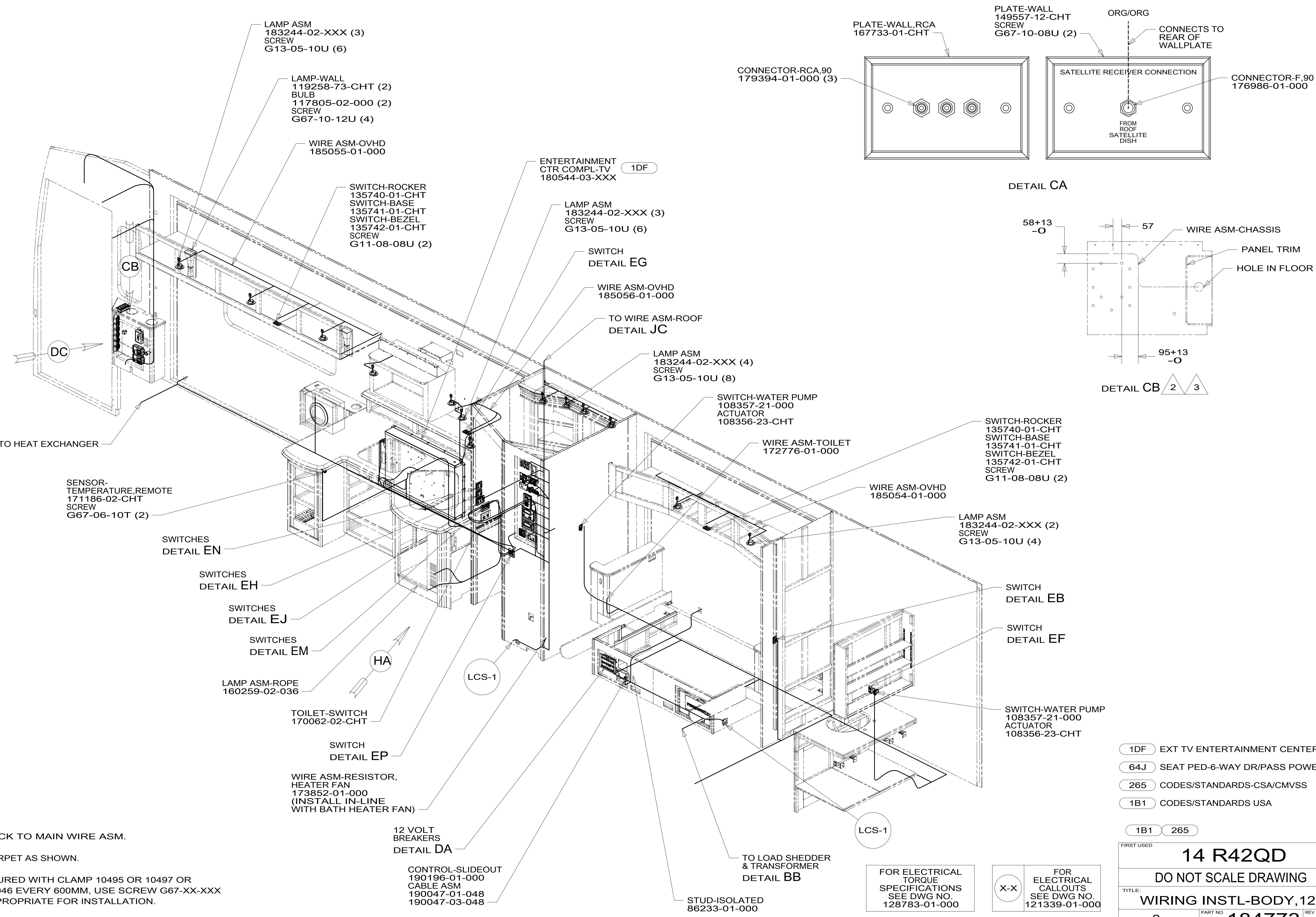
1B1 265

FOR ELECTRICAL TORQUE SPECIFICATIONS SEE DWG NO. 128783-01-000

FOR ELECTRICAL CALLOUTS SEE DWG NO. 121339-01-000

FIRST USED	
<b>14 R42QD</b>	
<b>DO NOT SCALE DRAWING</b>	
<b>WIRING INSTL-BODY, 12V</b>	
SHEET 2	PART NO 184773 REV
11-Nov-2014	

\*184773 \*A



- 3 WITHOUT 64J TIE BACK TO MAIN WIRE ASM.
- 2 ROUTE WIRE UNDER CARPET AS SHOWN.

1. ALL WIRES TO BE SECURED WITH CLAMP 10495 OR 10497 OR WIRE TIE 8343 OR 108046 EVERY 600MM, USE SCREW G67-XX-XXX OR G56-XX-XXX AS APPROPRIATE FOR INSTALLATION.

NOTES:

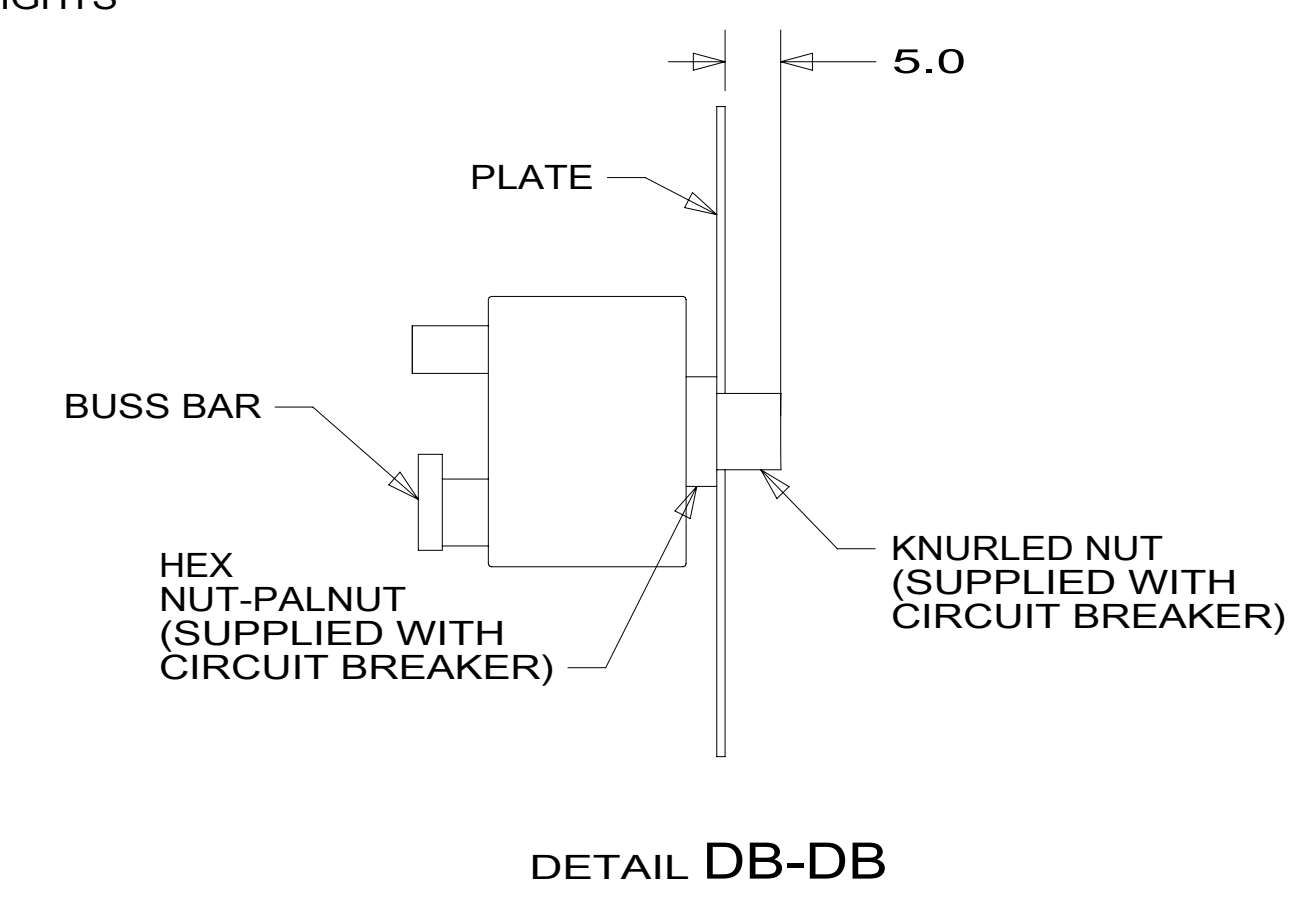
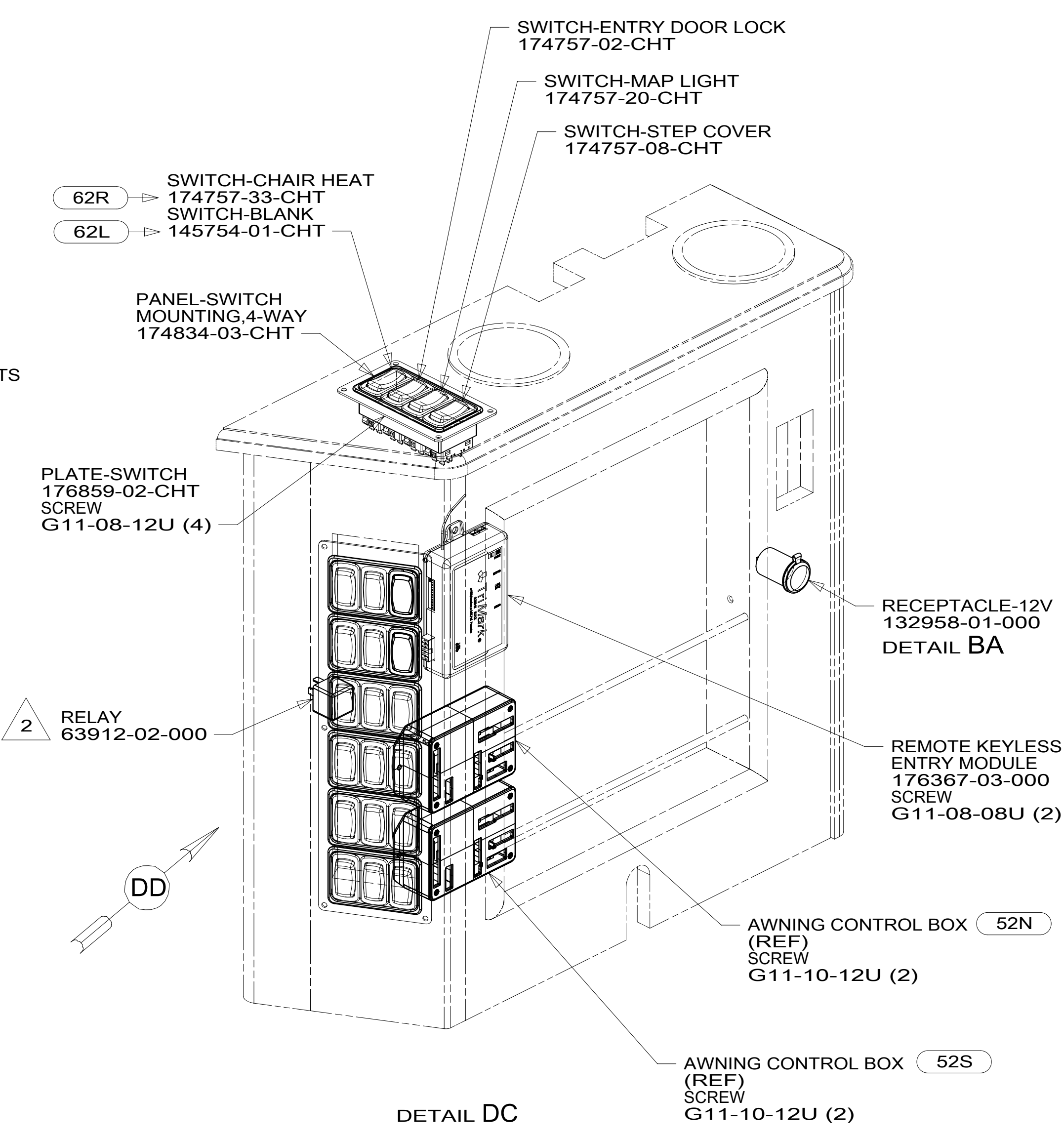
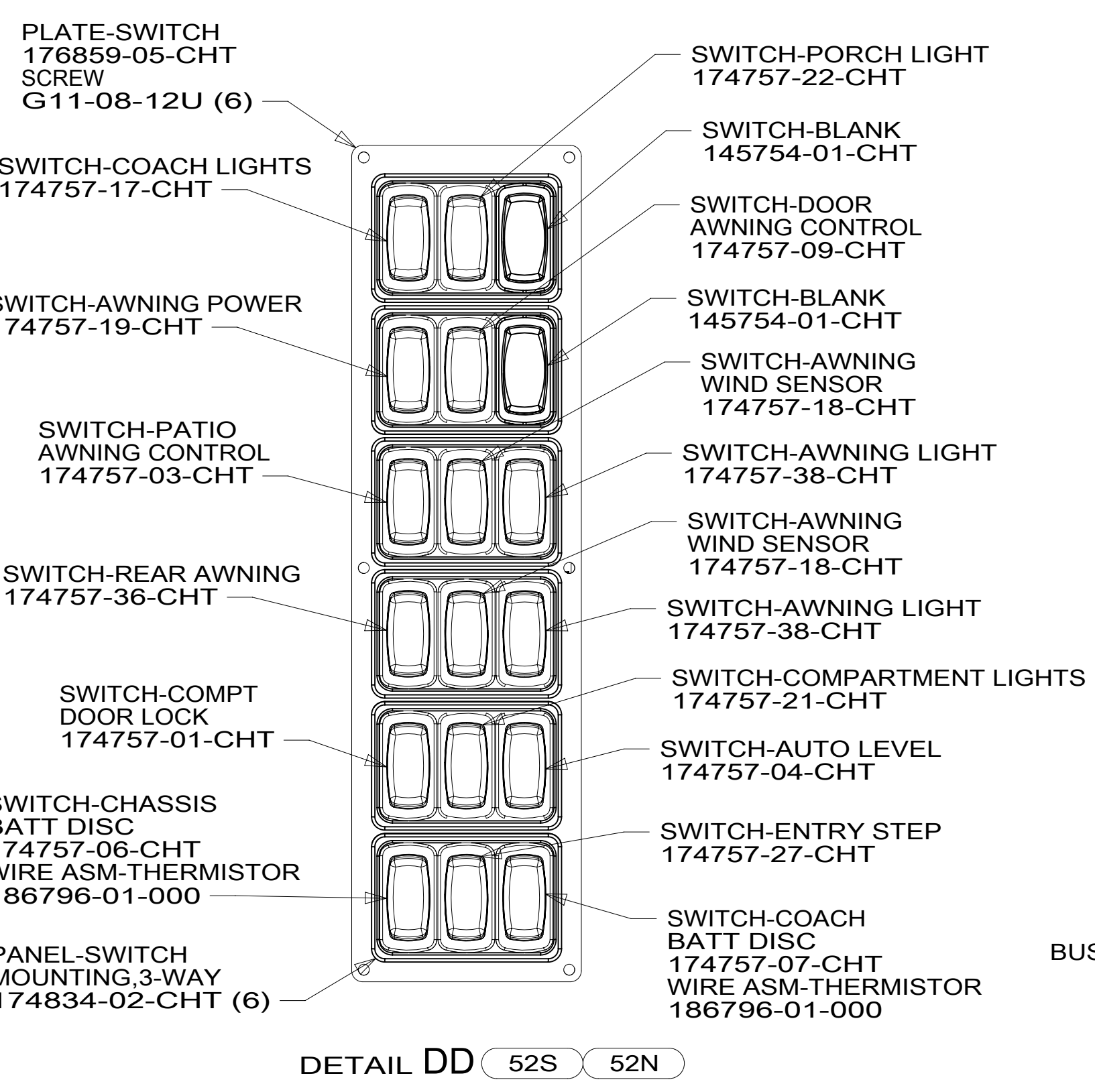
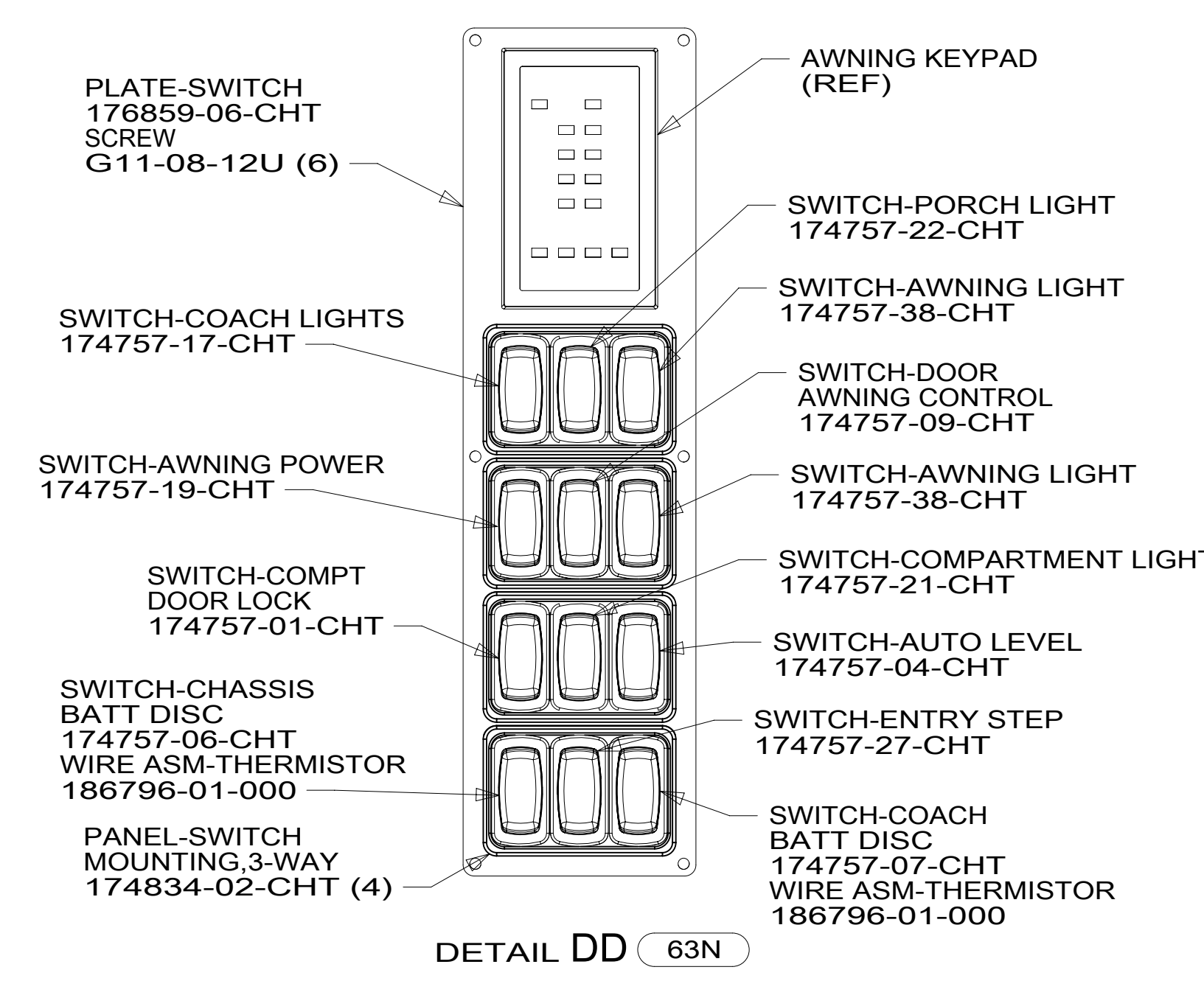
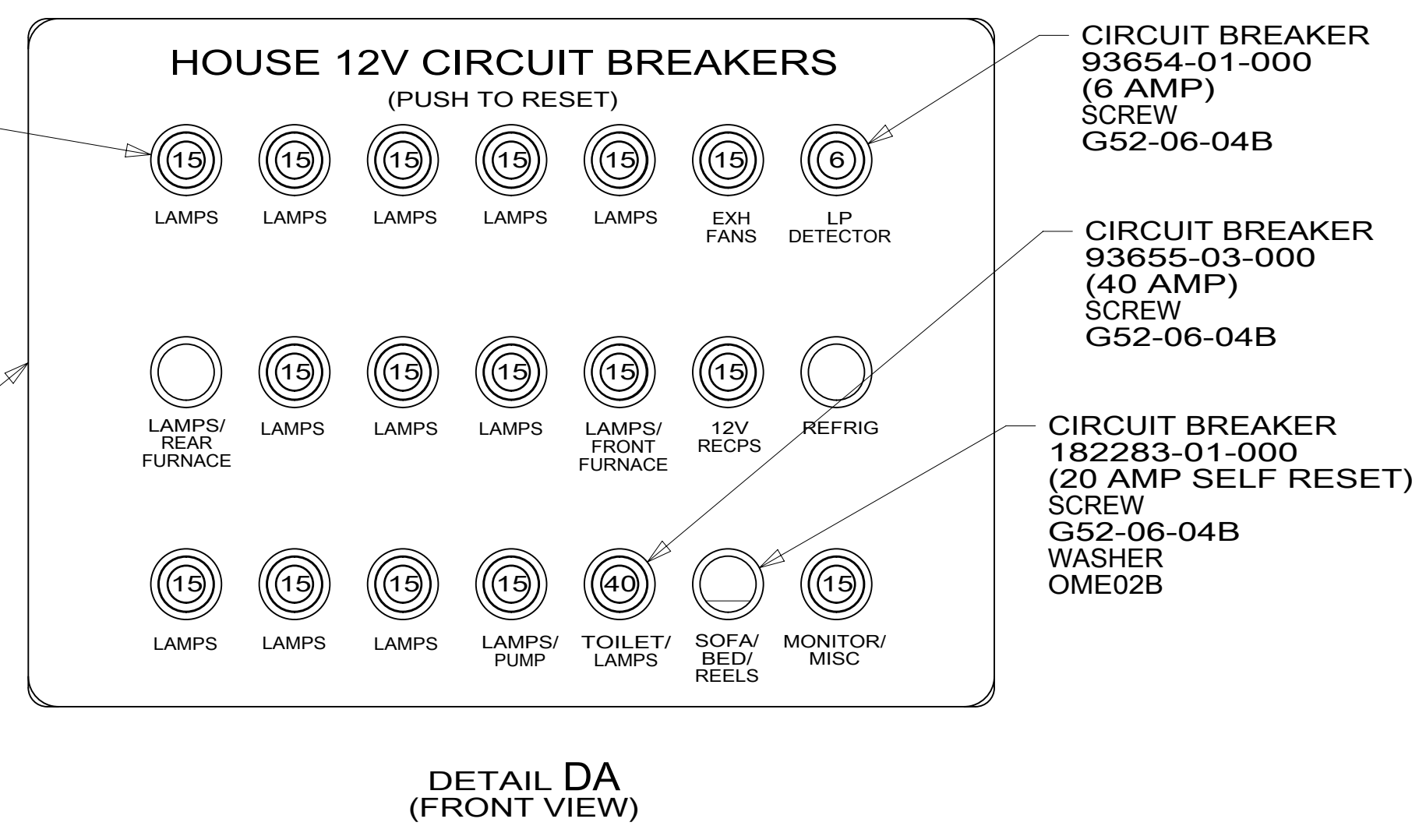
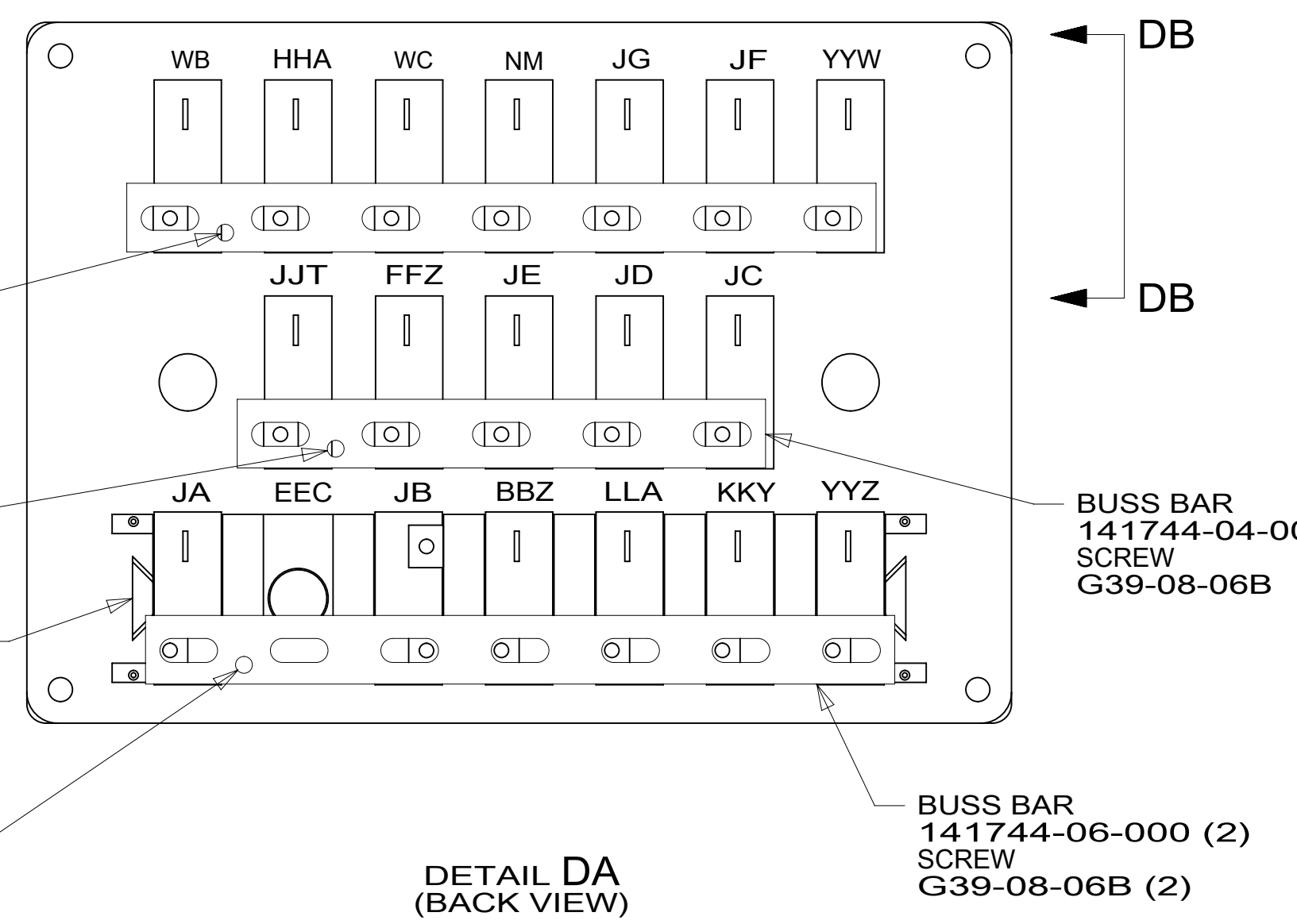
- 1DF EXT TV ENTERTAINMENT CENTER
- 64J SEAT PED-6-WAY DR/PASS POWER
- 265 CODES/STANDARDS-CSA/CMVSS
- 1B1 CODES/STANDARDS USA

FIRST USED	
<b>14 R42QD</b>	
<b>DO NOT SCALE DRAWING</b>	
<b>WIRING INSTL-BODY, 12V</b>	
SHEET 3	PART NO 184773 REV
11-Nov-2014	

FOR ELECTRICAL TORQUE SPECIFICATIONS SEE DWG NO. 128783-01-000

FOR ELECTRICAL CALLOUTS SEE DWG NO. 121339-01-000

\*184773 \*A



- 52N AWNING - PATIO, ELECTRIC
- 52S AWNING - 2ND PATIO, ELECTRIC
- 62R SEATS-W/QUEEN PASS.-HEAT UL
- 62L SEATS-LUXURY CAB
- 63N AWNING-ENTRY, ELECTRIC
- 265 CODES/STANDARDS-CSA/CMVSS
- 1B1 CODES/STANDARDS USA

2 SCREW RELAY HOUSING TO SIDEWALL WITH SCREW G11-10-12U.

1. ALL WIRES TO BE SECURED WITH CLAMP 10495 OR 10497 OR WIRE TIE 8343 OR 108046 EVERY 600MM, USE SCREW G67-XX-XXX OR G56-XX-XXX AS APPROPRIATE FOR INSTALLATION.

FOR ELECTRICAL TORQUE SPECIFICATIONS SEE DWG NO. 128783-01-000

FOR ELECTRICAL CALLOUTS SEE DWG NO. 121339-01-000

FIRST USED

**14 R42QD**

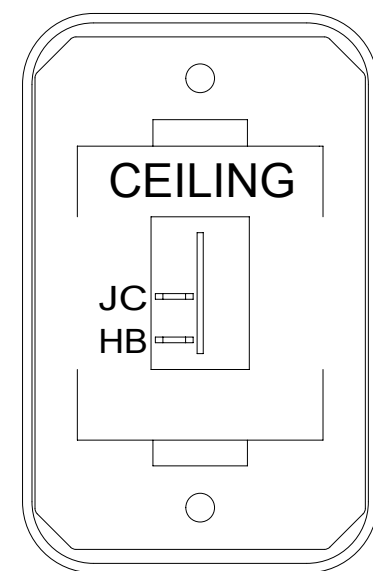
DO NOT SCALE DRAWING

TITLE: **WIRING INSTL-BODY, 12V**

SHEET 4 PART NO **184773** REV

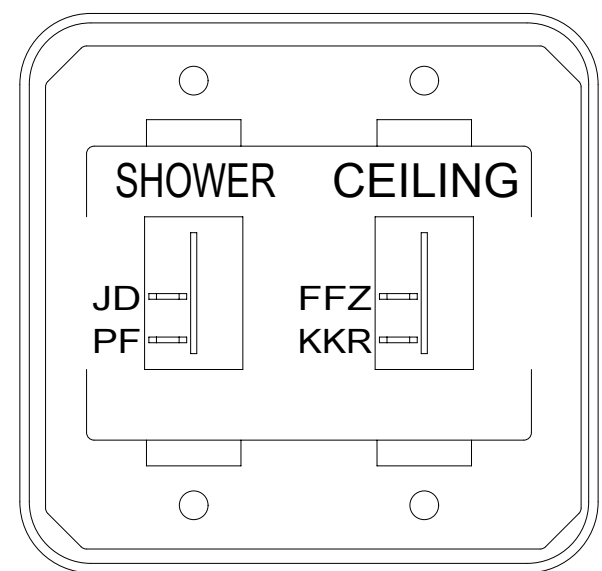
11-Nov-2014

\*184773\*



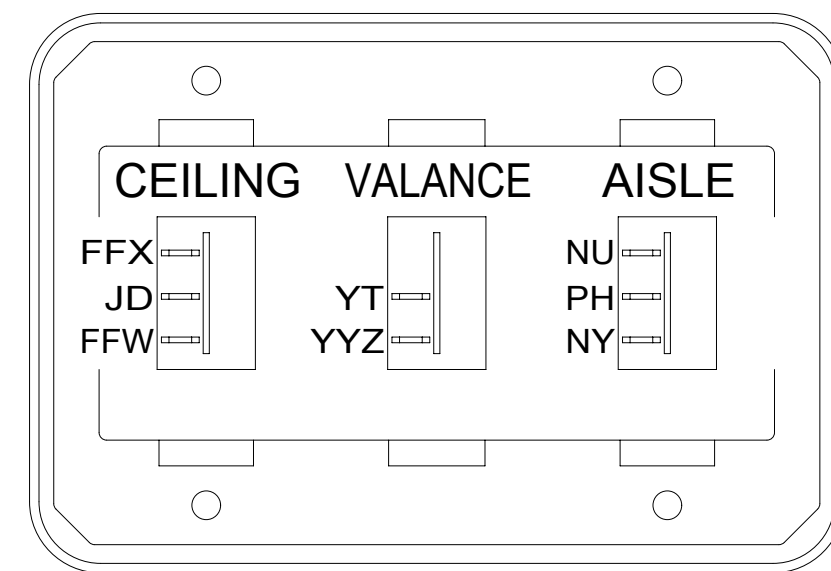
SWITCH-ROCKER  
135740-01-CHT  
SWITCH-BASE  
135741-01-CHT  
SWITCH-BEZEL  
135742-07-CHT  
SCREW  
G11-08-08U (2)

DETAIL EA



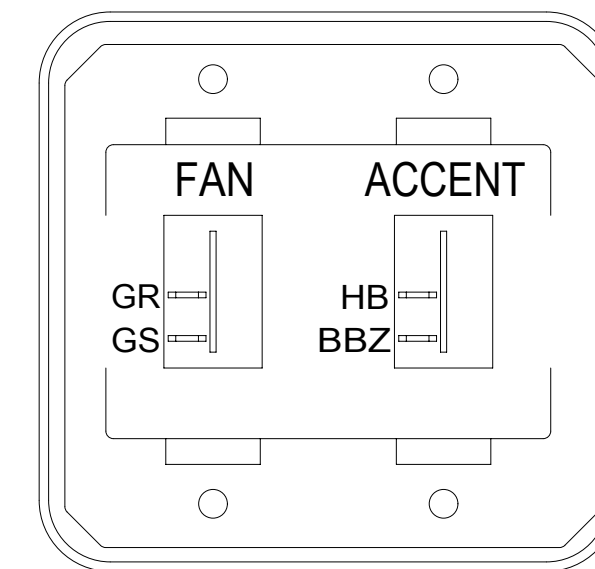
SWITCH-ROCKER  
135740-01-CHT (2)  
SWITCH-BASE  
135741-02-CHT  
SWITCH-BEZEL  
135742-15-CHT  
SCREW  
G11-08-08U (4)

DETAIL EE



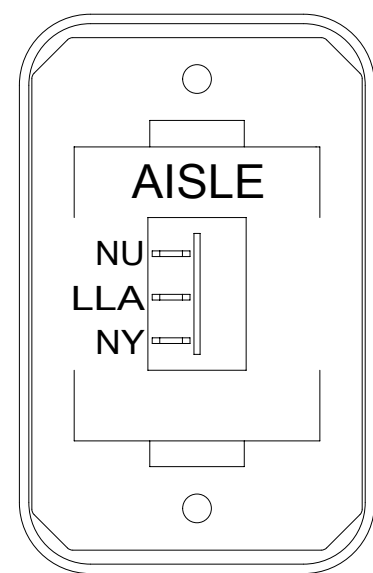
SWITCH-ROCKER  
135740-01-CHT  
135740-02-CHT (2)  
SWITCH-BASE  
135741-03-CHT  
SWITCH-BEZEL  
135742-22-CHT  
SCREW  
G11-08-08U (4)

DETAIL EJ



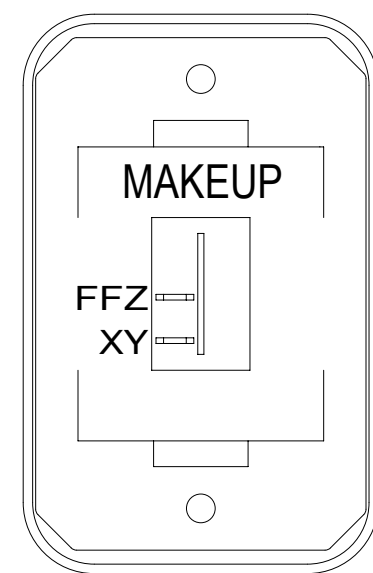
SWITCH-ROCKER  
135740-01-CHT (2)  
SWITCH-BASE  
135741-02-CHT  
SWITCH-BEZEL  
135742-49-CHT  
SCREW  
G11-06-16U (4)

DETAIL EN



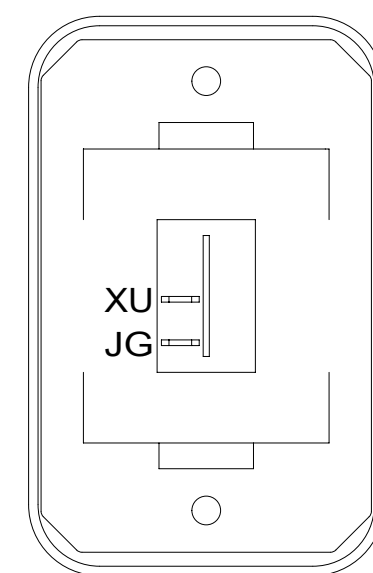
SWITCH-ROCKER  
135740-02-CHT  
SWITCH-BASE  
135741-01-CHT  
SWITCH-BEZEL  
135742-06-CHT  
SCREW  
G11-08-08U (2)

DETAIL EB



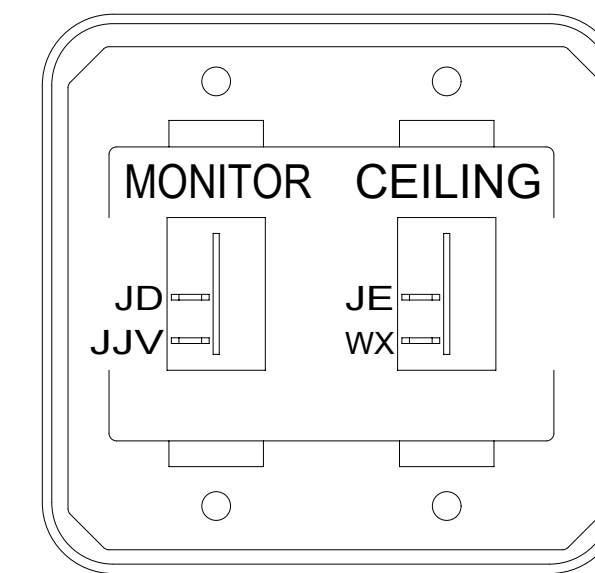
SWITCH-ROCKER  
135740-01-CHT  
SWITCH-BASE  
135741-01-CHT  
SWITCH-BEZEL  
135742-08-CHT  
SCREW  
G11-08-08U (2)

DETAIL EF



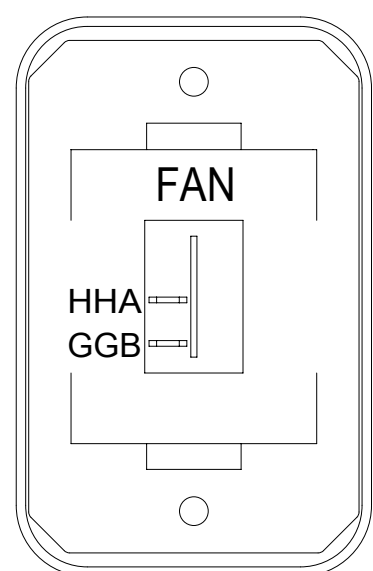
SWITCH-ROCKER  
135740-01-CHT  
SWITCH-BASE  
135741-01-CHT  
SWITCH-BEZEL  
135742-01-CHT  
SCREW  
G11-08-08U (2)

DETAIL EK



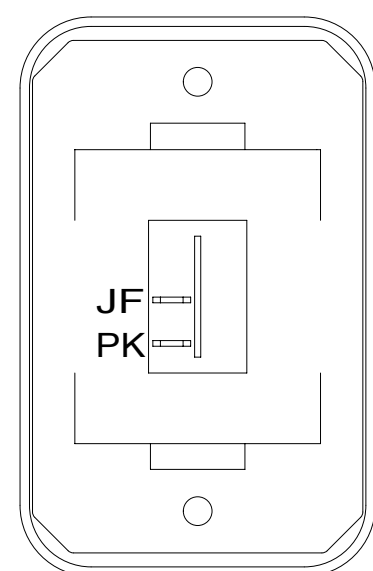
SWITCH-ROCKER  
135740-01-CHT (2)  
SWITCH-BASE  
135741-02-CHT  
SWITCH-BEZEL  
135742-31-CHT  
SCREW  
G11-08-08U (4)

DETAIL EP



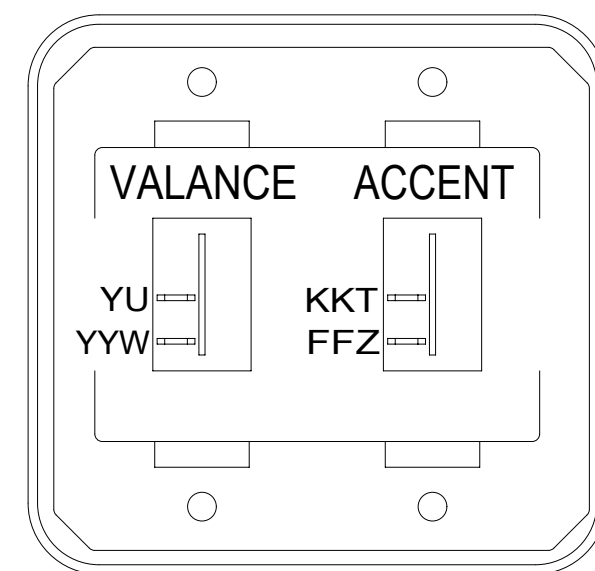
SWITCH-ROCKER  
135740-01-CHT  
SWITCH-BASE  
135741-01-CHT  
SWITCH-BEZEL  
135742-12-CHT  
SCREW  
G11-08-08U (2)

DETAIL EC



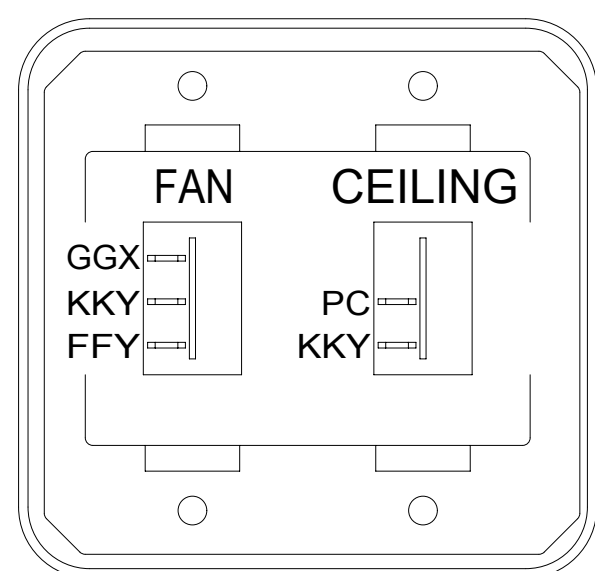
SWITCH-ROCKER  
135740-01-CHT  
SWITCH-BASE  
135741-01-CHT  
SWITCH-BEZEL  
135742-01-CHT  
SCREW  
G11-08-08U (2)

DETAIL EG



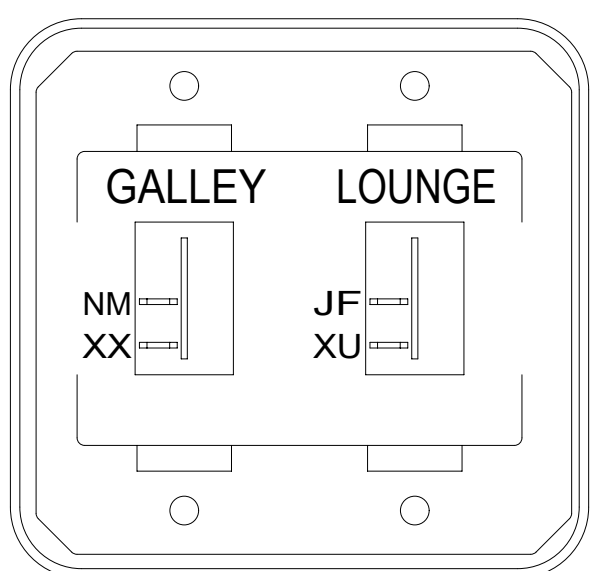
SWITCH-ROCKER  
135740-01-CHT (2)  
SWITCH-BASE  
135741-02-CHT  
SWITCH-BEZEL  
135742-36-CHT  
SCREW  
G11-06-16U (4)

DETAIL EL



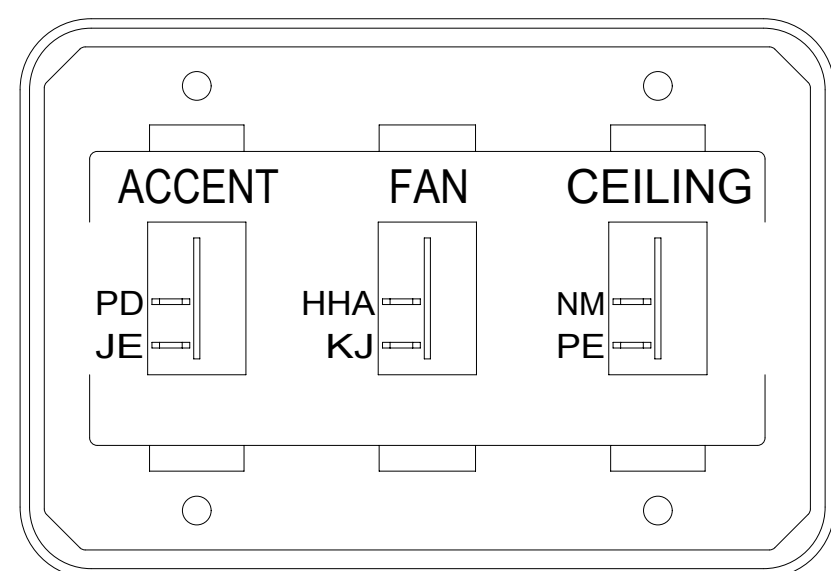
SWITCH-ROCKER  
135740-01-CHT  
135740-04-CHT  
SWITCH-BASE  
135741-02-CHT  
SWITCH-BEZEL  
135742-33-CHT  
SCREW  
G11-08-08U (4)  
RESISTOR-FAN  
140195-01-000

DETAIL ED



SWITCH-ROCKER  
135740-01-CHT (2)  
SWITCH-BASE  
135741-02-CHT  
SWITCH-BEZEL  
135742-18-CHT  
SCREW  
G11-08-08U (4)

DETAIL EH



SWITCH-ROCKER  
135740-01-CHT (3)  
SWITCH-BASE  
135741-03-CHT  
SWITCH-BEZEL  
135742-48-CHT  
SCREW  
G11-08-08U (4)

DETAIL EM

1 CONNECT WIRE ASM-RESISTOR,FAN TO 2-PIN HOUSING LOCATED BY THE SWITCH WIRES.

NOTES:

FOR ELECTRICAL TORQUE SPECIFICATIONS SEE DWG NO. 128783-01-000

X-X FOR ELECTRICAL CALLOUTS SEE DWG NO. 121339-01-000

265 CODES/STANDARDS-CSA/CMVSS

1B1 CODES/STANDARDS USA

1B1 265

FIRST USED 14 R42QD

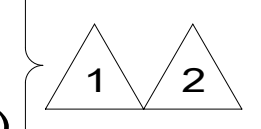
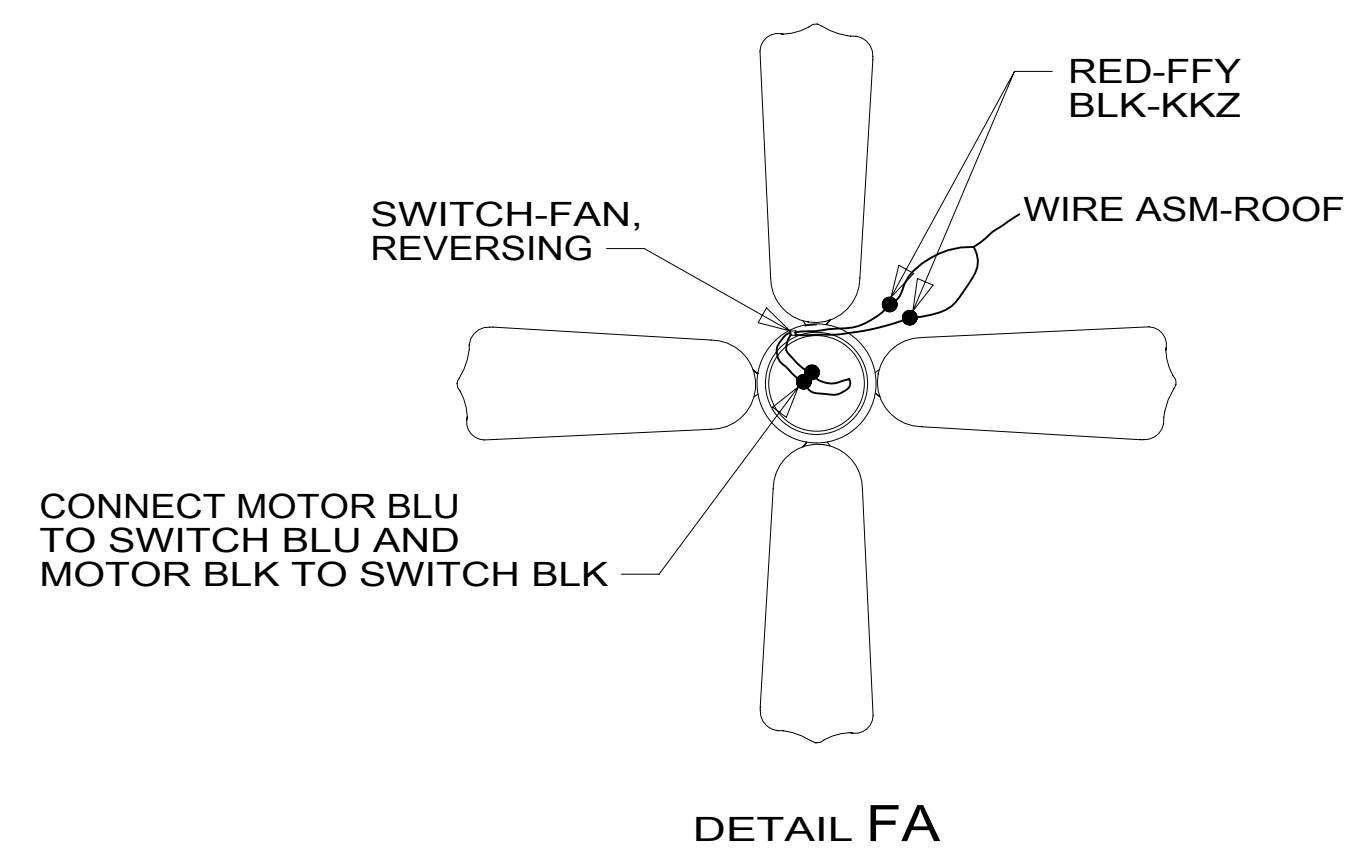
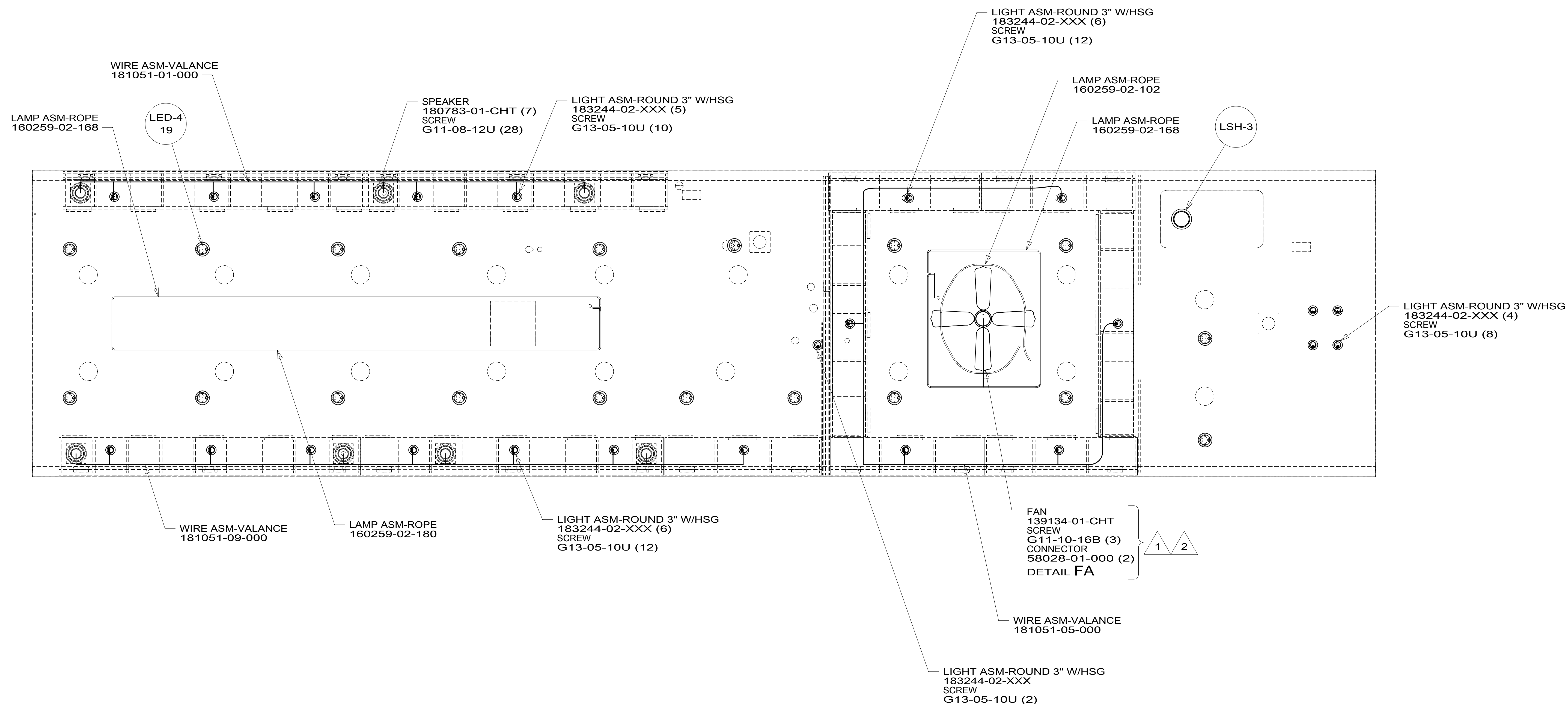
DO NOT SCALE DRAWING

TITLE: WIRING INSTL-BODY, 12V

SHEET 5 PART NO 184773 REV

11-Nov-2014

\*184773 \*A



- NOTES:
- 2 CENTER FAN OVER 25MM HOLE IN ROOF.
  - 1 APPLY LOCTITE P/N 62917-06-000 TO FAN BLADE MOUNTING NUT THREADS.

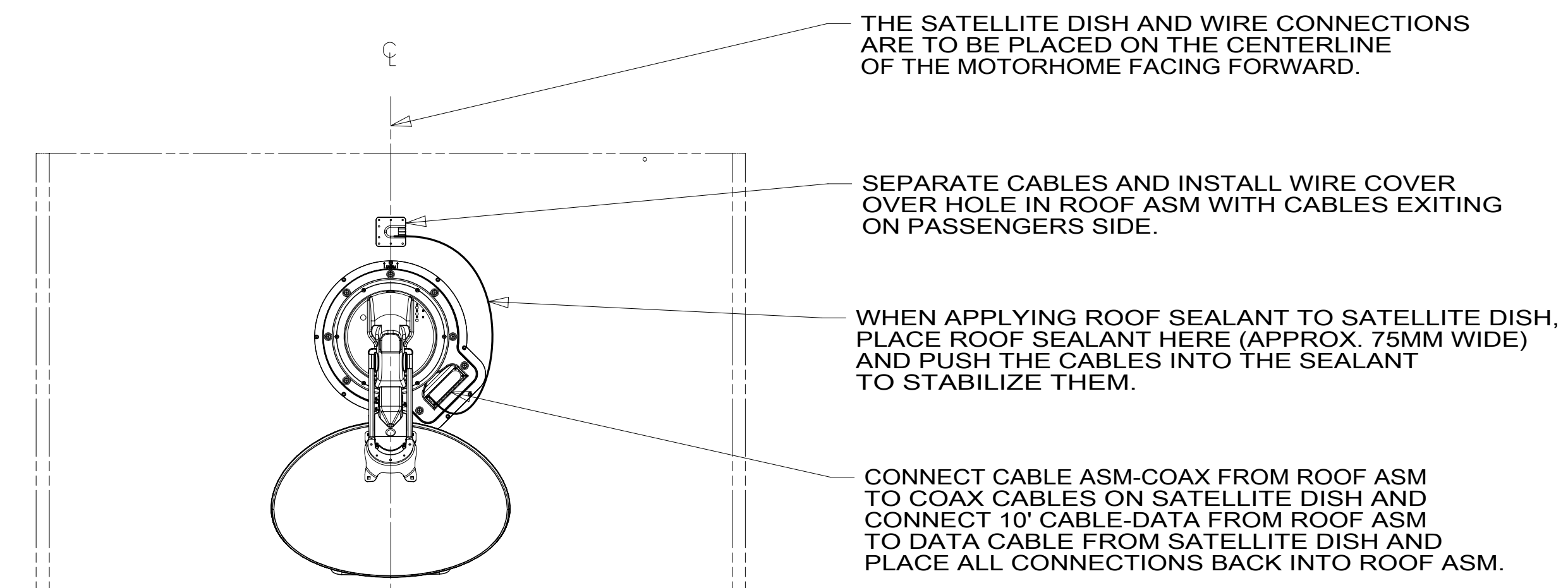
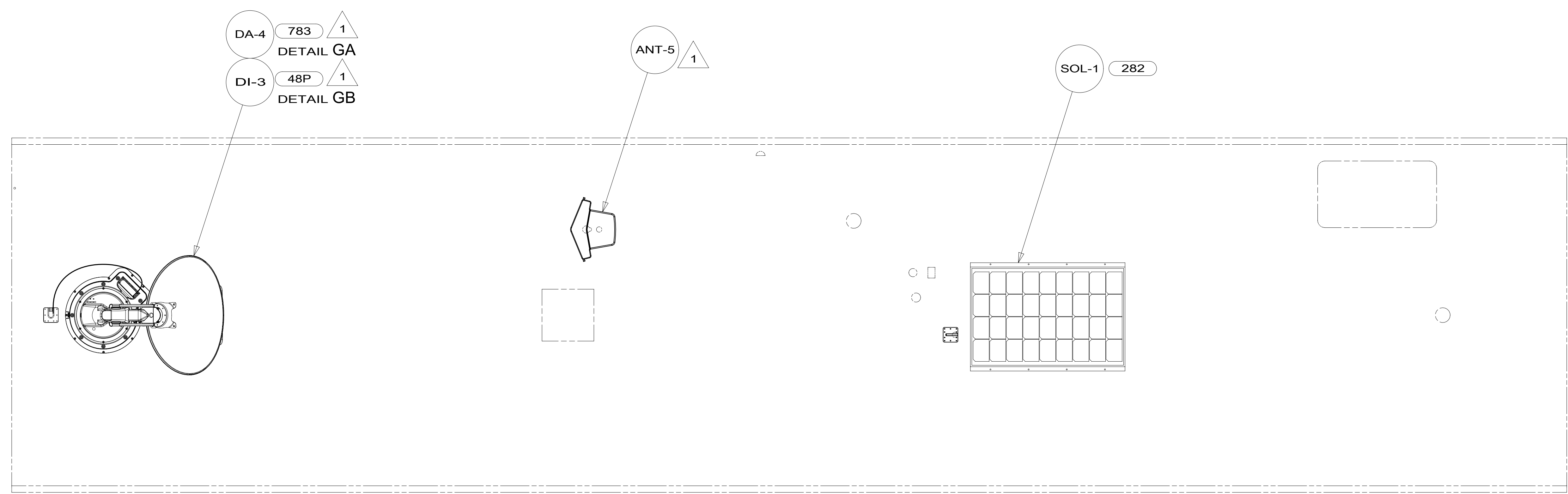
FOR ELECTRICAL TORQUE SPECIFICATIONS SEE DWG NO. 128783-01-000

FOR ELECTRICAL CALLOUTS SEE DWG NO. 121339-01-000

- 265 CODES/STANDARDS-CSA/CMVSS
- 1B1 CODES/STANDARDS USA
- 1B1 265

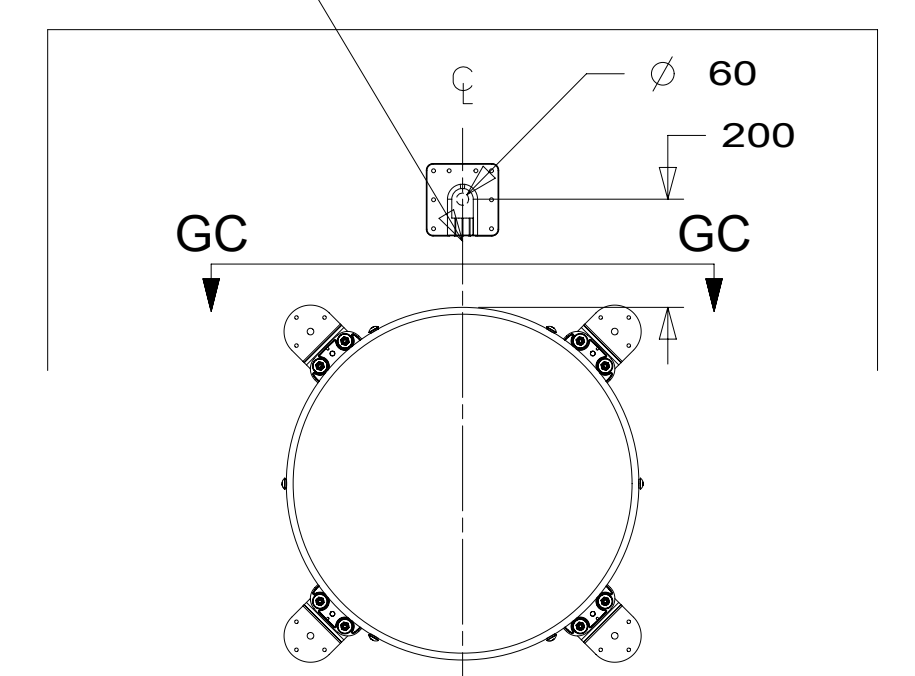
FIRST USED	
<b>14 R42QD</b>	
<b>DO NOT SCALE DRAWING</b>	
<b>WIRING INSTL-BODY, 12V</b>	
SHEET 6	PART NO <b>184773</b> REV

\*184773 \*A

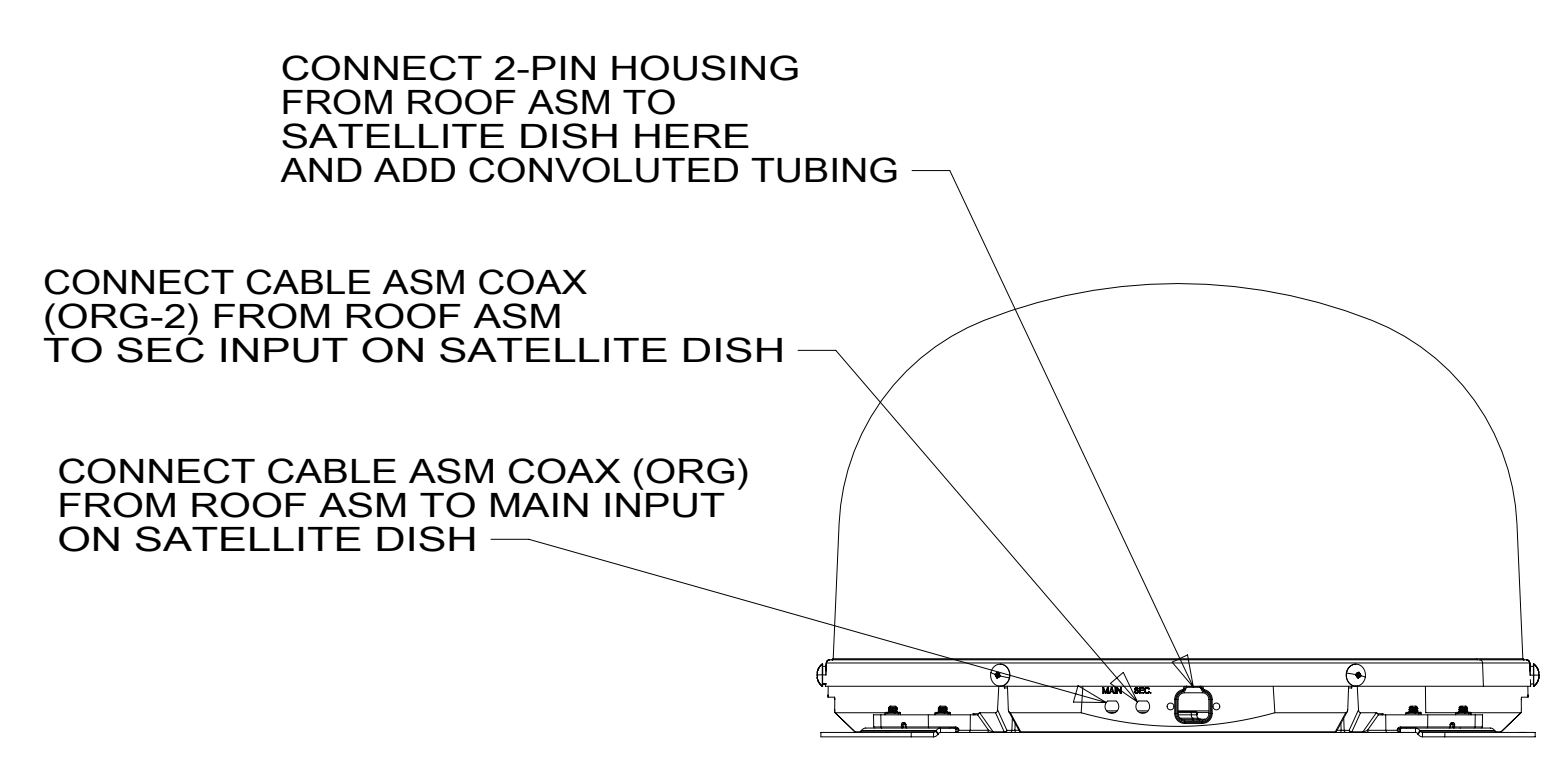


DETAIL GA

THE SATELLITE DISH WIRE CONNECTIONS ARE TO BE PLACED ON THE CENTERLINE OF THE MOTORHOME FACING FORWARD



DETAIL GB 2



VIEW GC-GC

- NOTES:
- 2 REMOVE ALL SHIPPING RESTRAINTS AND FIRMLY INSERT THE SUPPLIED PLUGS INTO THE APPROPRIATE SIZED HOLES AS SPECIFIED IN THE INSTALLATION PROCESS.
  - 1 SEE MANUFACTURER'S INSTALLATION FOR ADDITIONAL INFORMATION.

- 783 SATELLITE HD TV SYSTEM AUTOC
- 282 SOLAR PANEL - 100 WATT
- 48P SAT TV SYSTEM IN-MOTION
- 265 CODES/STANDARDS-CSA/CMVSS
- 1B1 CODES/STANDARDS USA

FIRST USED	
<b>14 R42QD</b>	
<b>DO NOT SCALE DRAWING</b>	
TITLE: <b>WIRING INSTL-BODY, 12V</b>	
SHEET 7	PART NO <b>184773</b> REV

FOR ELECTRICAL TORQUE SPECIFICATIONS SEE DWG NO. 128783-01-000

FOR ELECTRICAL CALLOUTS SEE DWG NO. 121339-01-000

\*184773 \*A



PLATE-KEY,SLIDE ROOM  
163987-01-CHT  
LABEL-SLIDEROOM CONTROL,ELEC  
163988-02-CHT  
SWITCH-KEY,SPST-ILLINOIS LCK  
163097-01-000  
SCREW  
G11-08-08U (4)

LABEL-SLIDEOUT,  
DRIVER,FRONT  
163992-01-CHT

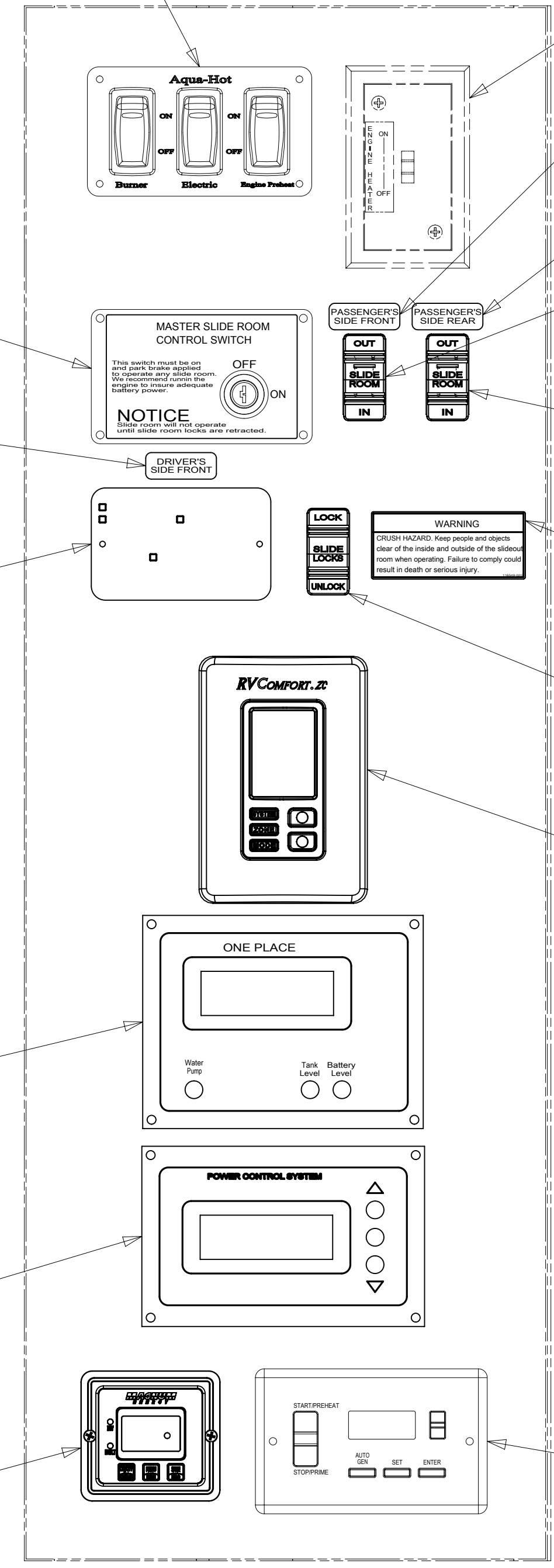
TOUCH PANEL-SLIDEOUT  
171341-01-000  
SCREW  
G11-08-08U (2)

PANEL-MONITOR  
175724-03-000  
SCREW  
G11-08-08U (4)

PANEL-MONITOR,  
PCS 50 AMP  
174384-06-000  
SCREW  
G11-08-08U (4)

2 REMOTE PANEL  
175385-02-000

SWITCH-ASM  
169741-13-CHT  
DETAIL HB



DETAIL HA

ENGINE HEATER SWITCH (REF)

LABEL-SLIDEOUT, PASS,FRONT  
163992-04-CHT

LABEL-SLIDEOUT,PASS,REAR  
163992-03-CHT

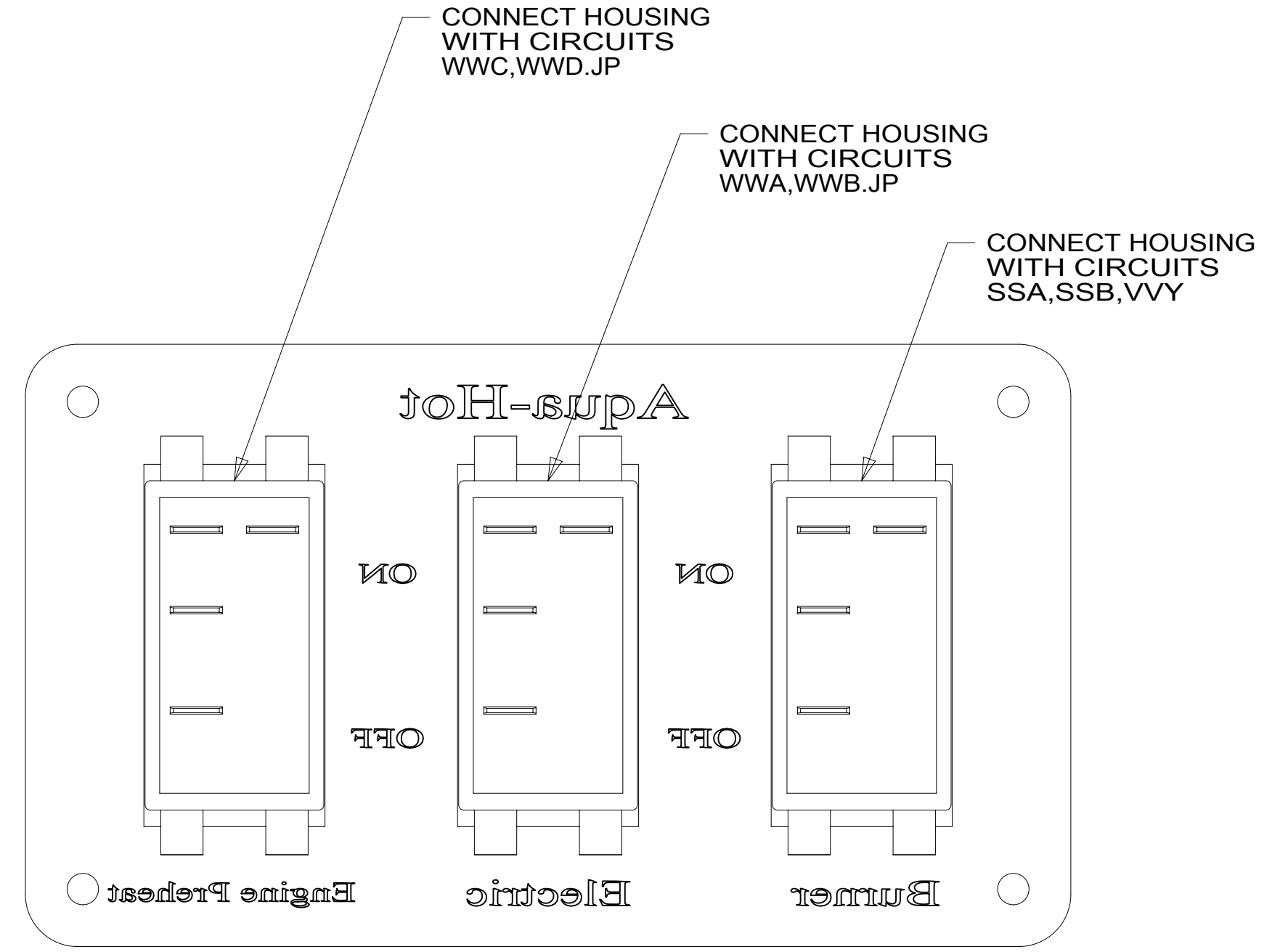
SWITCH-ROCKER  
108357-17-000  
ACTUATOR-SWITCH  
108356-31-CHT

SWITCH-ROCKER  
108357-17-000  
ACTUATOR-SWITCH  
108356-31-CHT

LABEL  
116549-02-000

SWITCH-SLIDEOUT  
108357-06-000  
ACTUATOR  
108356-25-CHT

THERMOSTAT-ZONE,  
AC & 2S HEAT REFRESH  
171186-05-CHT  
RELAYS  
63912-02-000 (4)



DETAIL HB

2 SET 'BAT TYPE' TO 'AGM2'  
SET 'LBCO' TO '11VDC'  
SEE OWNER'S MANUAL FOR SETUP PROCEDURE

1 SET 'GEN TYPE' TO MATCH GENERATOR MODEL INSTALLED IN COACH.  
SET 'SAFETY TYPE' TO 'IGNITION'.  
SEE OWNER'S MANUAL FOR SETUP PROCEDURE.

NOTES:

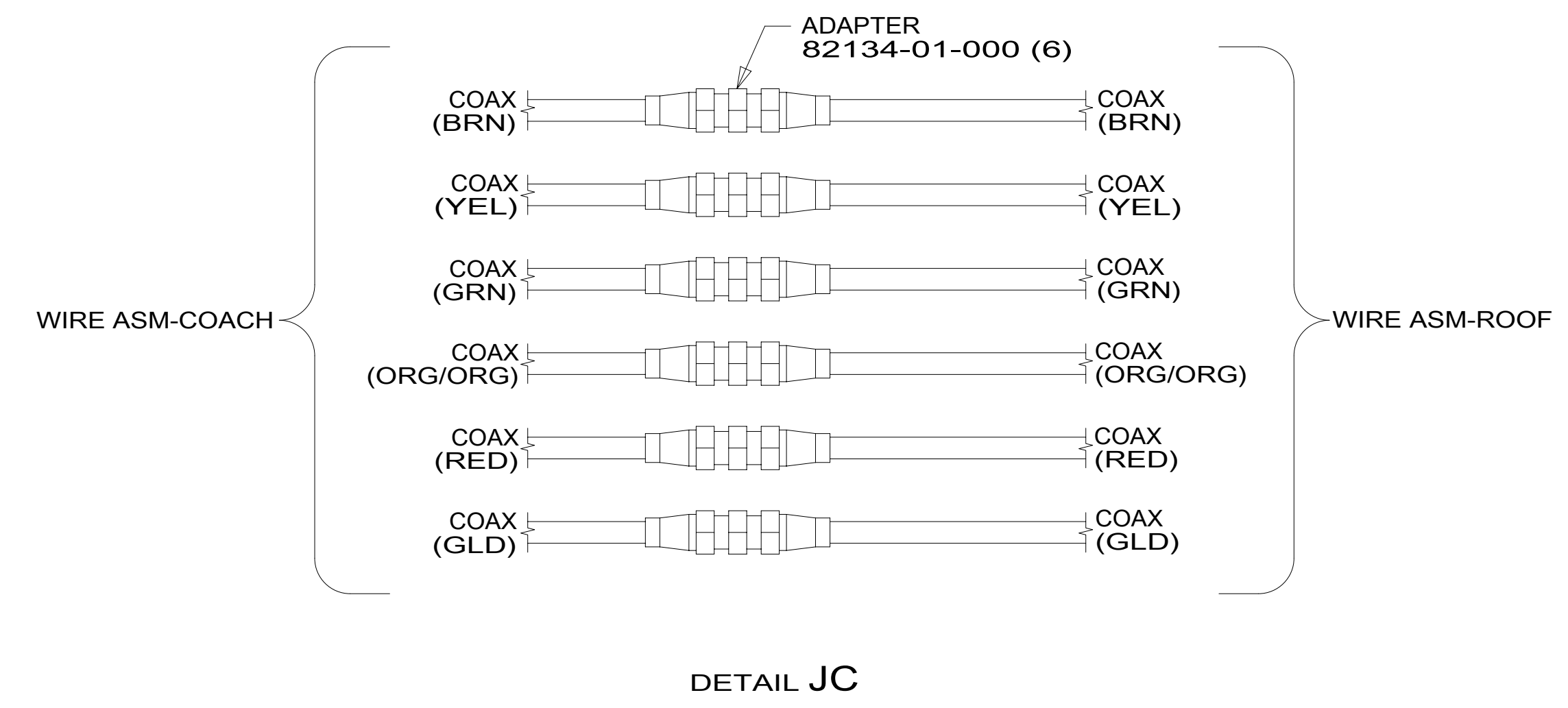
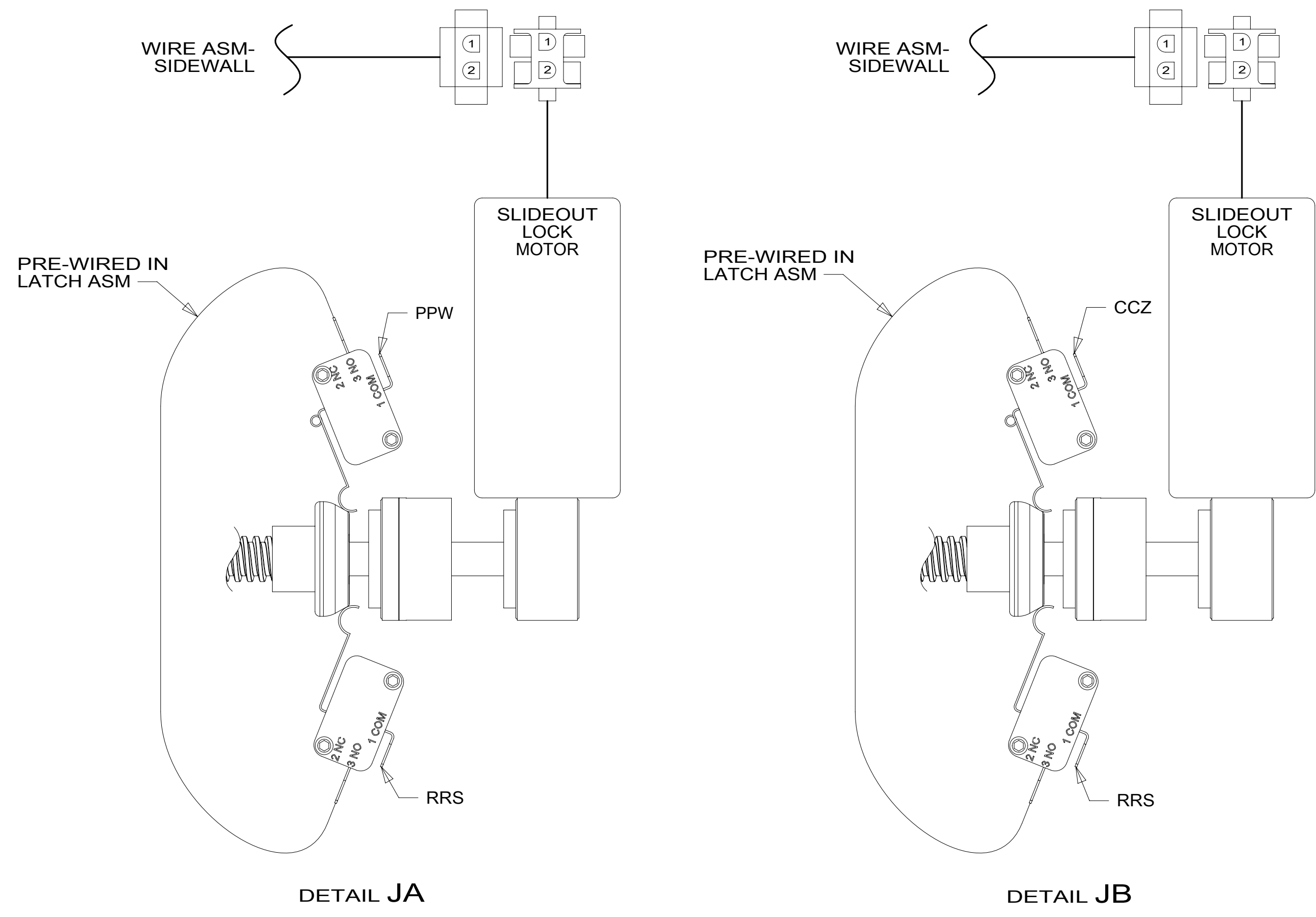
- 32W GENERATOR-START,AUTO SYSTEM
- 265 CODES/STANDARDS-CSA/CMVSS
- 1B1 CODES/STANDARDS USA

FIRST USED	14 R42QD
DO NOT SCALE DRAWING	
TITLE: WIRING INSTL-BODY, 12V	
SHEET 8	PART NO 184773
REV 11-Nov-2014	

FOR ELECTRICAL TORQUE SPECIFICATIONS SEE DWG NO. 128783-01-000

FOR ELECTRICAL CALLOUTS SEE DWG NO. 121339-01-000

\*184773 \*A



- 265 CODES/STANDARDS-CSA/CMVSS
- 1B1 CODES/STANDARDS USA
- 1B1 265

FOR ELECTRICAL TORQUE SPECIFICATIONS SEE DWG NO. 128783-01-000

FOR ELECTRICAL CALLOUTS SEE DWG NO. 121339-01-000

FIRST USED	
<b>14 R42QD</b>	
<b>DO NOT SCALE DRAWING</b>	
TITLE: <b>WIRING INSTL-BODY, 12V</b>	
SHEET 9	PART NO <b>184773</b> REV
1 11-Nov-2014	

\*184773 \*A