



DANGER

Danger of electrical shock, burns or death. Always remove all power sources before attempting any repair, service or diagnostic work. Power can be present from shore power, generator, inverter or battery. All power sources must be disabled and secured before performing any service.

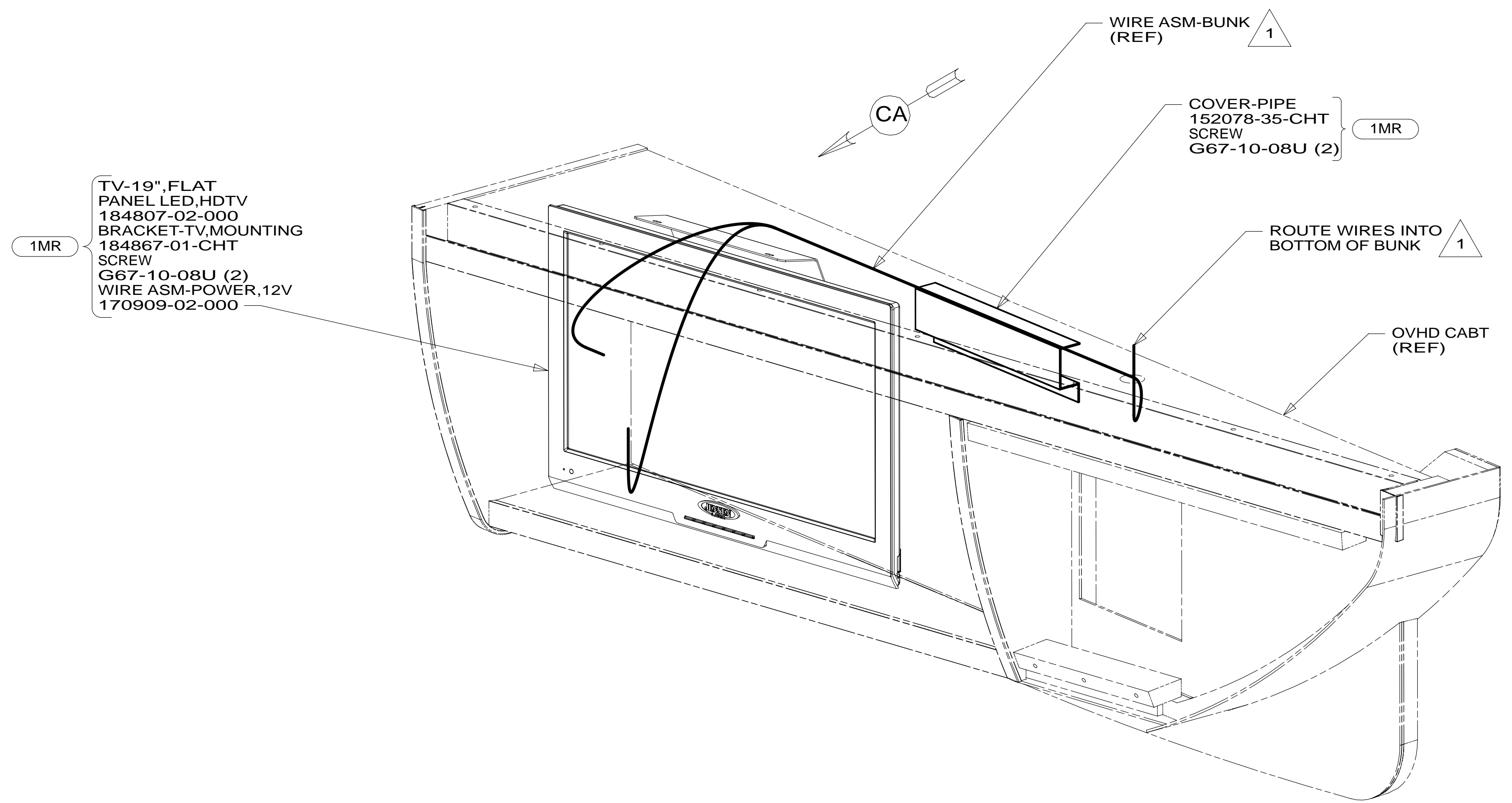


CAUTION

If you lack the skills, tools or equipment to perform diagnostic or repair work leave such work to an authorized Winnebago Industries dealer or other qualified shop.

8	7	6	5	4	3	2	1
DRAWING NO.	UNIT	SHEETS					
184722-01	623L	1,2,3					
184722-02	623B	4,5,6					

RELEASE	REV/DATE	DWG NO	184722
REV ZONE	REVISION RECORD	DATE	DFT-ORIG



1MR TV-19", FLAT
 PANEL LED, HDTV
 184807-02-000
 BRACKET-TV, MOUNTING
 184867-01-CHT
 SCREW
 G67-10-08U (2)
 WIRE ASM-POWER, 12V
 170909-02-000

WIRE ASM-BUNK
 (REF) 1

COVER-PIPE
 152078-35-CHT
 SCREW
 G67-10-08U (2) 1MR

ROUTE WIRES INTO
 BOTTOM OF BUNK 1

OVHD CABT
 (REF)

- 1MR TV(FRT)-19" DC LCD STEREO
- 265 CODES/STANDARDS-CSA/CMVSS
- 1B1 CODES/STANDARDS USA
- 1B1 265

WINNEBAGO COPYRIGHT 2014 WINNEBAGO INDUSTRIES, INC.

DFT-ORIG	ORIG. DATE
CHKR	ALL DIMENSIONS ARE IN MILLIMETERS
P.E.	
M.E.	FIRST USED
DSNR	14 600-SER
UNSPECIFIED TOLERANCES ARE:	
WHOLE DIM (X)	: 3
ONE-PLACE (X.X)	: 1.5
TWO-PLACE (X.XX)	: 0.50
ANGLE	: 1°
THIRD ANGLE PROJECTION	
DO NOT SCALE DRAWING	REFER TO ES0018 FOR FASTENER TIGHTENING GUIDELINES
TITLE: WIRING INSTL-TV/DVD	
SHEET 1 OF 6	PART NO 184722 REV
REF:	1 10-Jun-2014

1 SEE WIRING INSTL-BODY, 12V FOR ADDITIONAL INFORMATION.
 NOTES:

FOR ELECTRICAL TORQUE SPECIFICATIONS SEE DWG NO. 128783-01-000

X-X FOR ELECTRICAL CALLOUTS SEE DWG NO. 121339-01-000

*184722 *A

TV-22", FLAT
 PANEL LED,HDTV
 180602-02-000
 BRACKET-TV, SWING
 179241-01-CHT
 SCREW
 G67-10-12U (6)
 WIRE ASM-POWER,12V
 170909-02-000

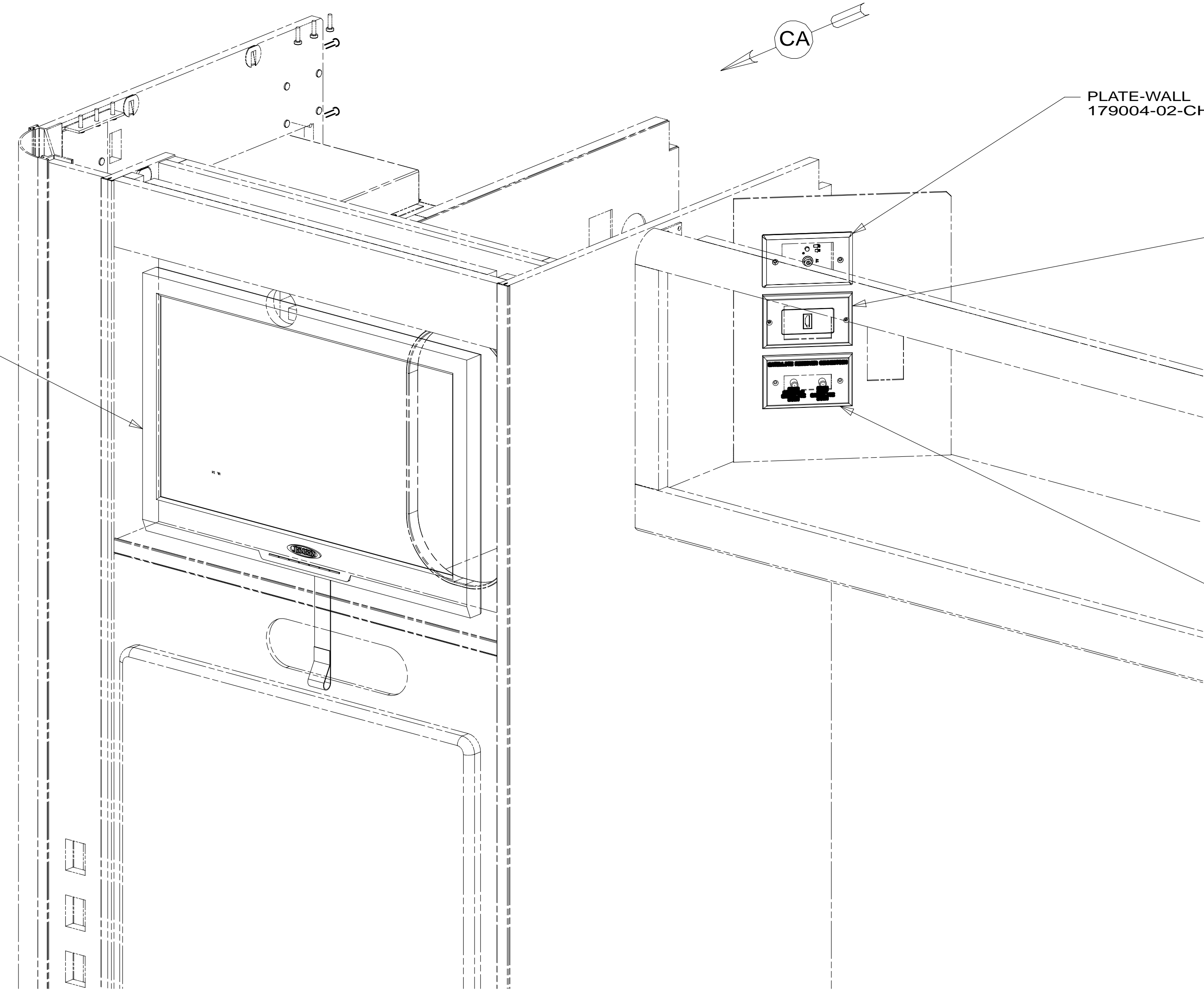
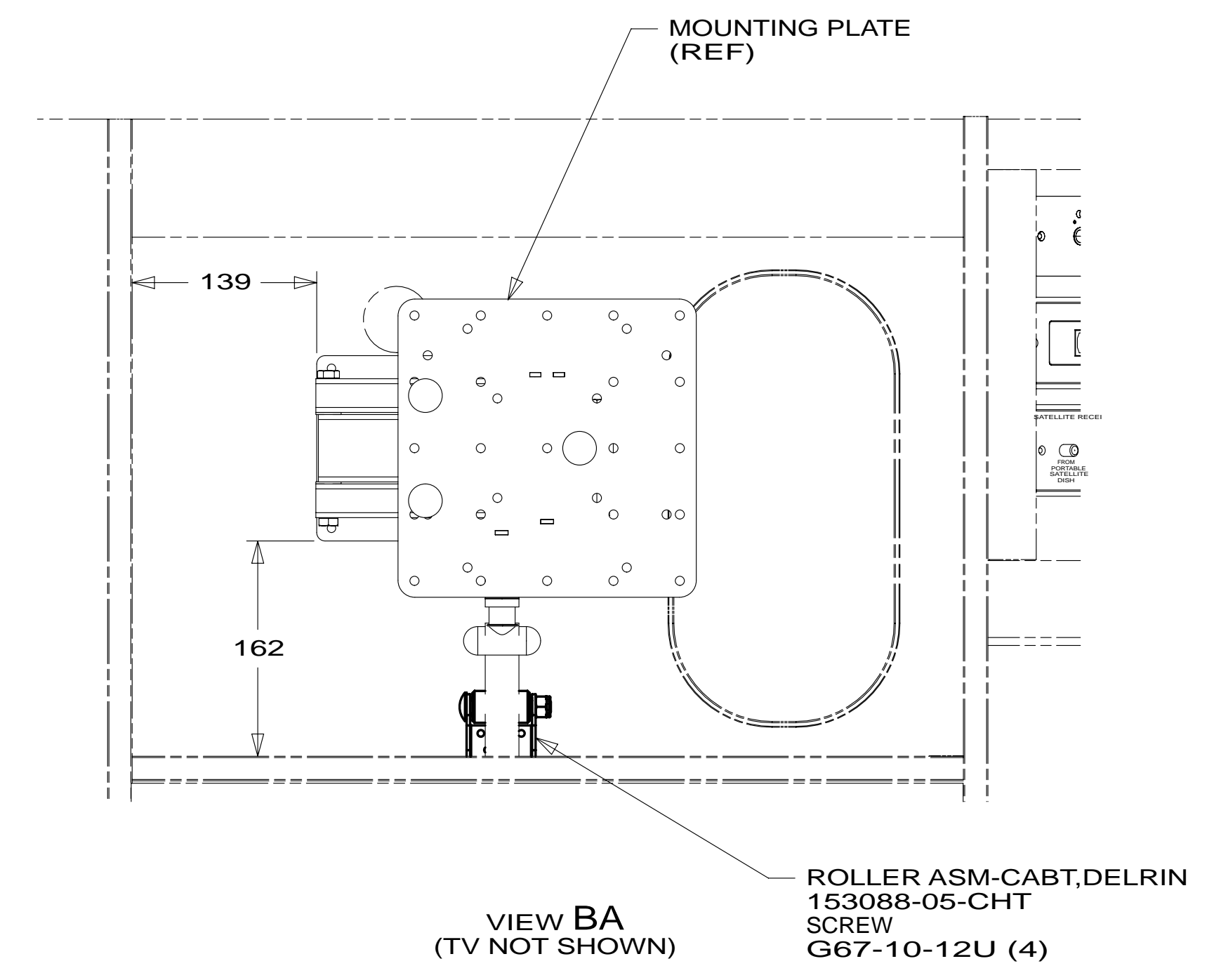


PLATE-WALL
 179004-02-CHT

PLATE-HDMI
 175530-04-CHT
 SCREW
 G13-05-10U (2)

PLATE-WALL
 149557-09-CHT
 SCREW
 G67-10-08U (2)



VIEW BA
 (TV NOT SHOWN)

ROLLER ASM-CABT, DELRIN
 153088-05-CHT
 SCREW
 G67-10-12U (4)

- 68E TV - DC 22" LCD W/REMOTE
- 265 CODES/STANDARDS-CSA/CMVSS
- 1B1 CODES/STANDARDS USA

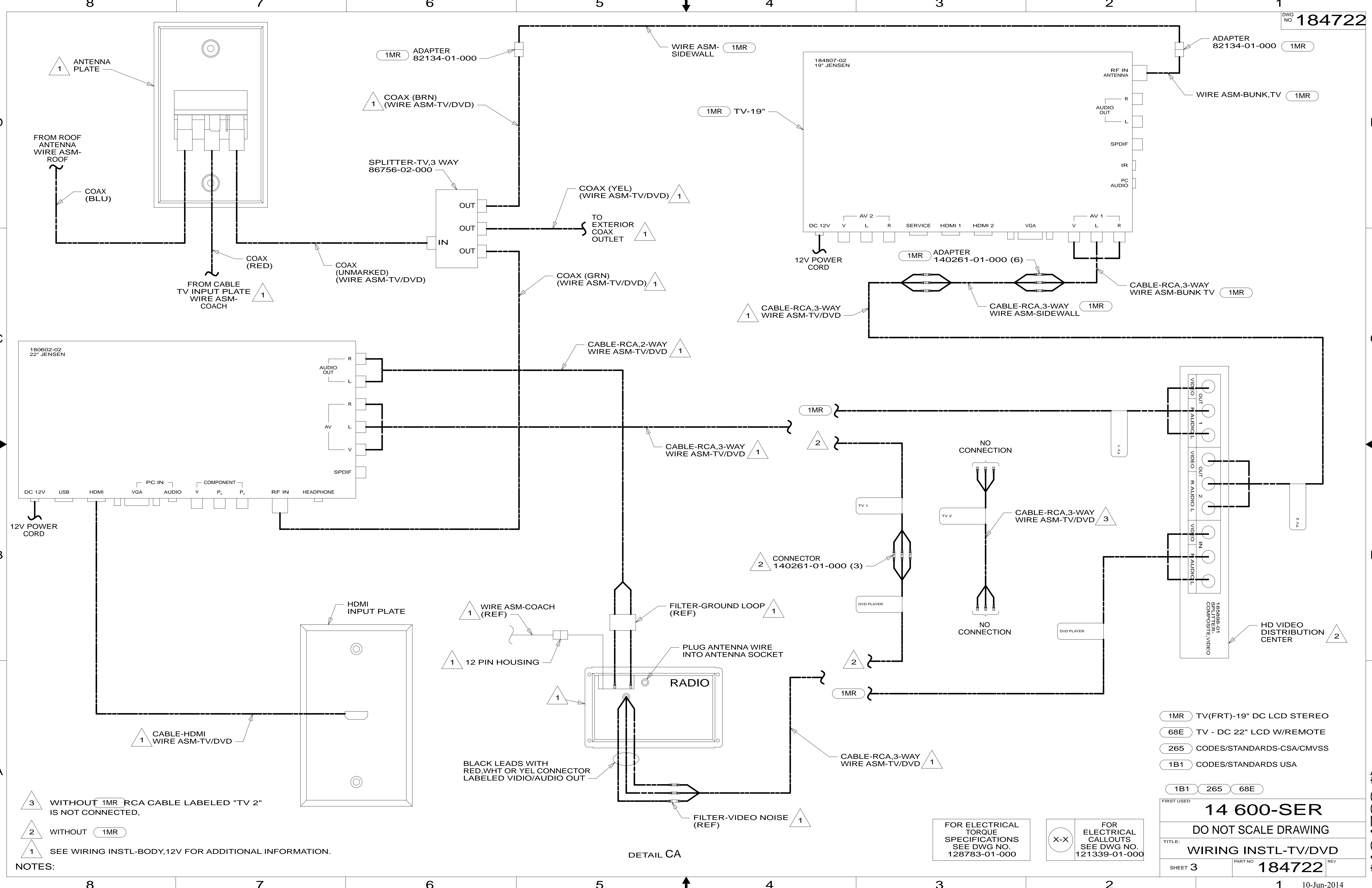
1B1 265 68E

FIRST USED	
14 600-SER	
DO NOT SCALE DRAWING	
TITLE: WIRING INSTL-TV/DVD	
SHEET 2	PART NO 184722 REV

FOR ELECTRICAL
 TORQUE
 SPECIFICATIONS
 SEE DWG NO.
 128783-01-000

X-X
 FOR ELECTRICAL
 CALLOUTS
 SEE DWG NO.
 121339-01-000

*184722 *A



- NOTES:
- 3 WITHOUT 1MR RCA CABLE LABELED "TV 2" IS NOT CONNECTED,
 - 2 WITHOUT 1MR
 - 1 SEE WIRING INSTL-BODY,12V FOR ADDITIONAL INFORMATION.

FOR ELECTRICAL TORQUE SPECIFICATIONS SEE DWG NO. 128783-01-000

FOR ELECTRICAL CALLOUTS SEE DWG NO. 121339-01-000

- 1MR TV(FRT)-19" DC LCD STEREO
- 68E TV - DC 22" LCD W/REMOTE
- 265 CODES/STANDARDS-CSA/CMVSS
- 1B1 CODES/STANDARDS USA

1B1	265	68E
FIRST USED		
14 600-SER		
DO NOT SCALE DRAWING		
TITLE: WIRING INSTL-TV/DVD		
SHEET 3	PART NO 184722	REV
10-Jun-2014		

* 184722 *

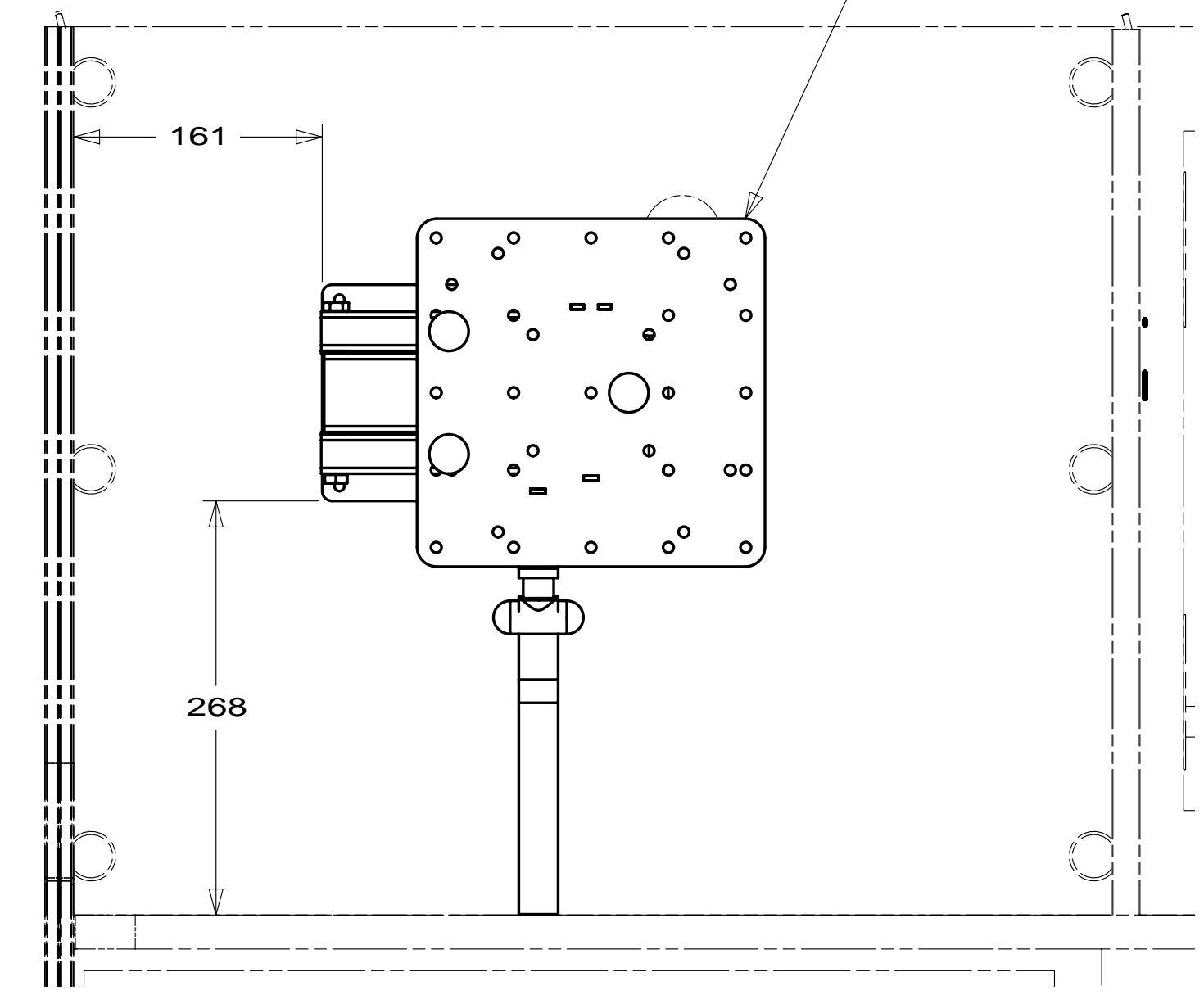
TV-26", FLAT
 PANEL LED, HDTV
 179870-02-000
 BRACKET-TV, SWING
 179241-01-CHT
 SCREW
 G67-10-12U (6)
 WIRE ASM-POWER, 12V
 170909-02-000

PLATE-HDMI
 175530-04-CHT
 SCREW
 G13-05-10U (2)

PLATE-WALL
 149557-09-CHT
 SCREW
 G67-10-08U (2)

PLATE-WALL
 179004-02-CHT

BRACKET-TV, SWING
 (REF)



VIEW DA
 (TV NOT SHOWN)

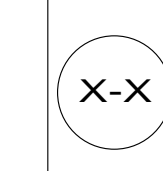
- 61A TV-26" COLOR, STEREO W/REMOTE
- 265 CODES/STANDARDS-CSA/CMVSS
- 1B1 CODES/STANDARDS USA

1B1 265 61A

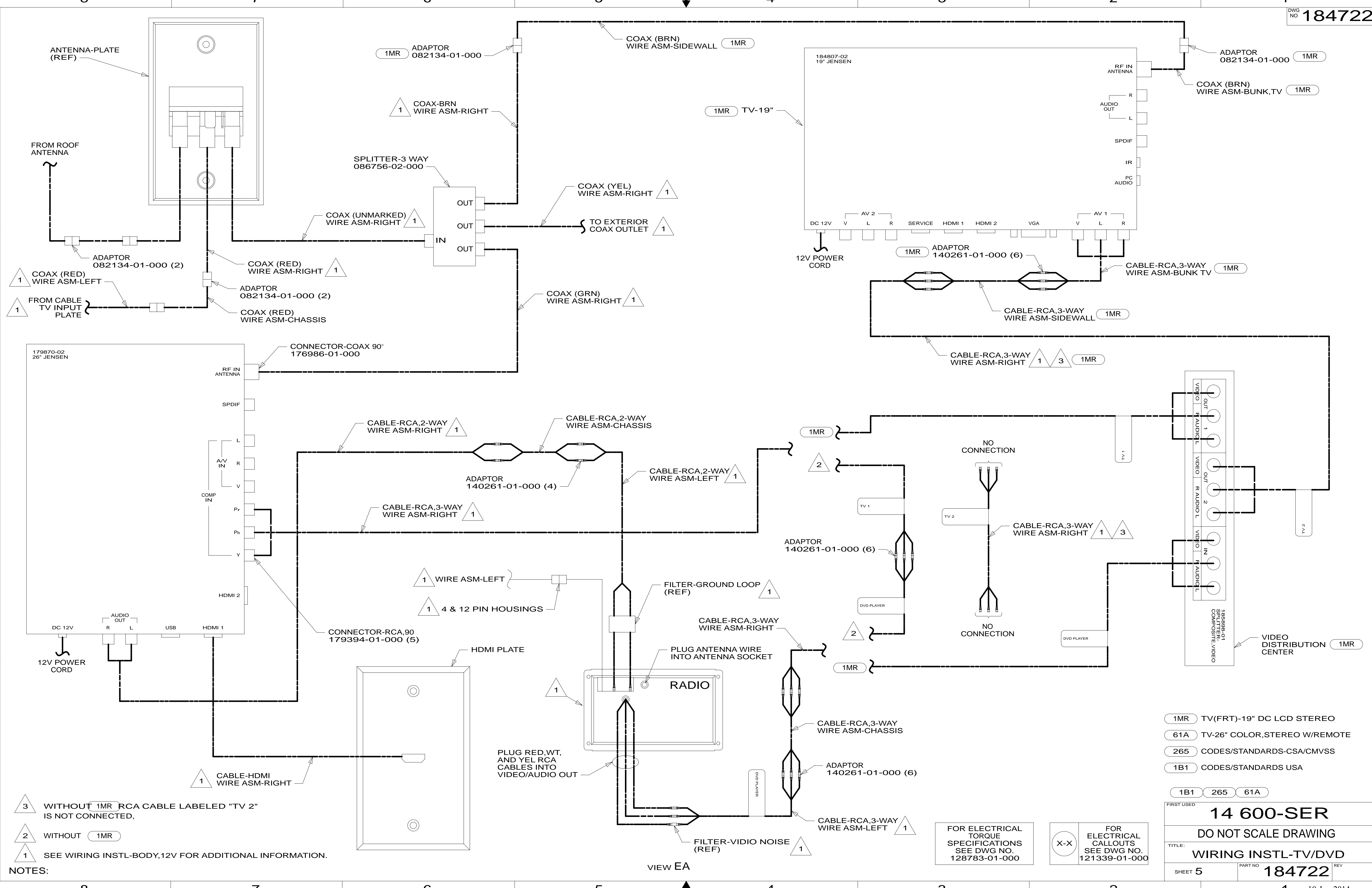
FIRST USED	
14 600-SER	
DO NOT SCALE DRAWING	
TITLE: WIRING INSTL-TV/DVD	
SHEET 4	PART NO. 184722 REV

FOR ELECTRICAL
 TORQUE
 SPECIFICATIONS
 SEE DWG NO.
 128783-01-000

FOR
 ELECTRICAL
 CALLOUTS
 SEE DWG NO.
 121339-01-000



*184722 *A



NOTES:
 3 WITHOUT 1MR RCA CABLE LABELED "TV 2" IS NOT CONNECTED,
 2 WITHOUT 1MR
 1 SEE WIRING INSTL-BODY,12V FOR ADDITIONAL INFORMATION.

FOR ELECTRICAL TORQUE SPECIFICATIONS SEE DWG NO. 128783-01-000

FOR ELECTRICAL CALLOUTS SEE DWG NO. 121339-01-000

- 1MR TV(FRT)-19" DC LCD STEREO
- 61A TV-26" COLOR,STEREO W/REMOTE
- 265 CODES/STANDARDS-CSA/CMVSS
- 1B1 CODES/STANDARDS USA

14 600-SER

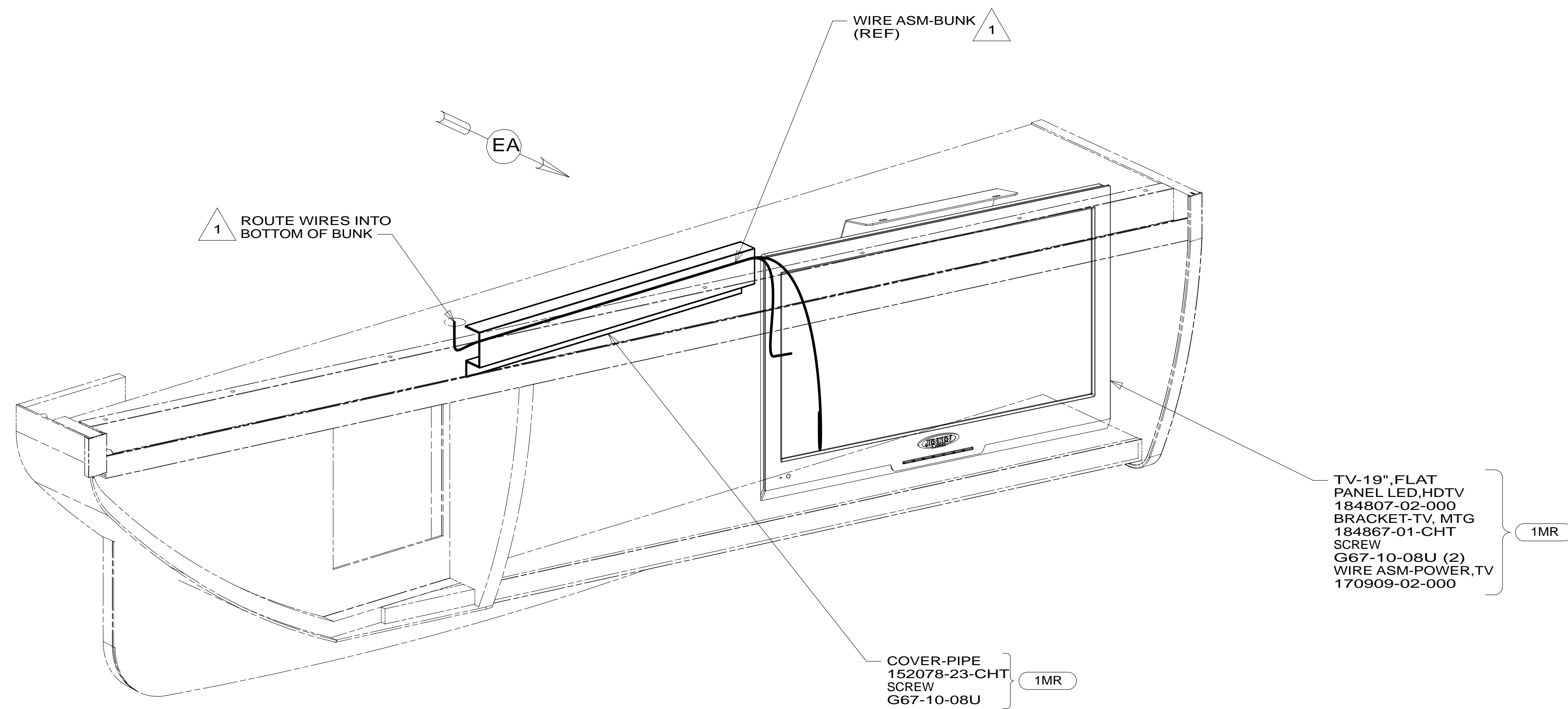
DO NOT SCALE DRAWING

TITLE: WIRING INSTL-TV/DVD

SHEET 5 PART NO 184722 REV

10-Jun-2014

* 184722 *



NOTES:
 1 SEE WIRING INSTL-BODY, 12V FOR ADDITIONAL INFORMATION.

FOR ELECTRICAL TORQUE SPECIFICATIONS SEE DWG NO. 128783-01-000

FOR ELECTRICAL CALLOUTS SEE DWG NO. 121339-01-000

- 1MR TV(FRT)-19" DC LCD STEREO
- 265 CODES/STANDARDS-CSA/CMVSS
- 1B1 CODES/STANDARDS USA

1B1	265
FIRST USED	
14 600-SER	
DO NOT SCALE DRAWING	
TITLE: WIRING INSTL-TV/DVD	
SHEET 6	PART NO 184722 REV

*184722 *A