



**DANGER**

**Danger of electrical shock, burns or death.** Always remove all power sources before attempting any repair, service or diagnostic work. Power can be present from shore power, generator, inverter or battery. All power sources must be disabled and secured before performing any service.



**CAUTION**

If you lack the skills, tools or equipment to perform diagnostic or repair work leave such work to an authorized Winnebago Industries dealer or other qualified shop.

DRAWING NO.	MODEL	SHEETS
184625-01	J32H	1,4,11
184625-02	J37F	7,9,10,12,16
184625-03	J35P	3,6,13
184625-04	J38Q	10,14,15,16
184625-05	J33S	2,8
184625-06	J38S	2,8

RELEASE	REV/DATE	DWG NO	184625
REV ZONE	REVISION RECORD	DATE	DTR-ORIG

D

D

C

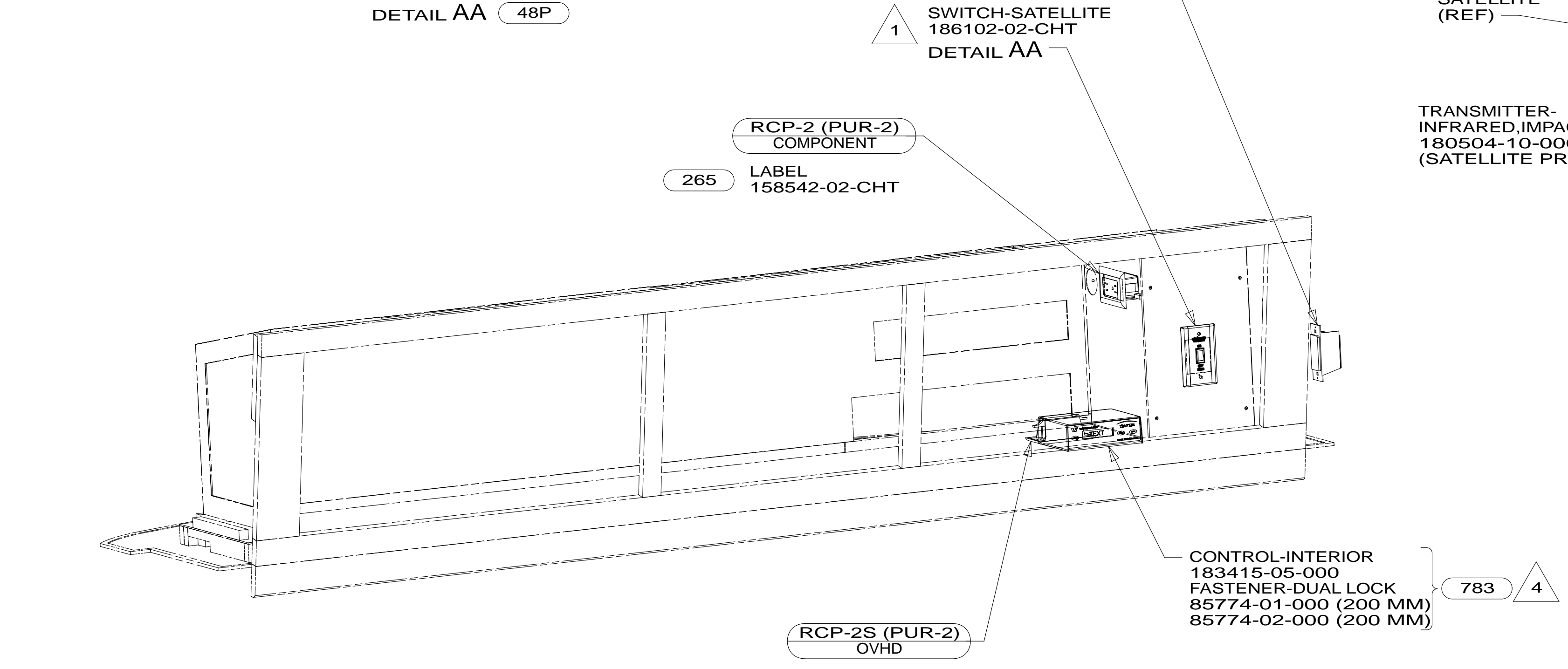
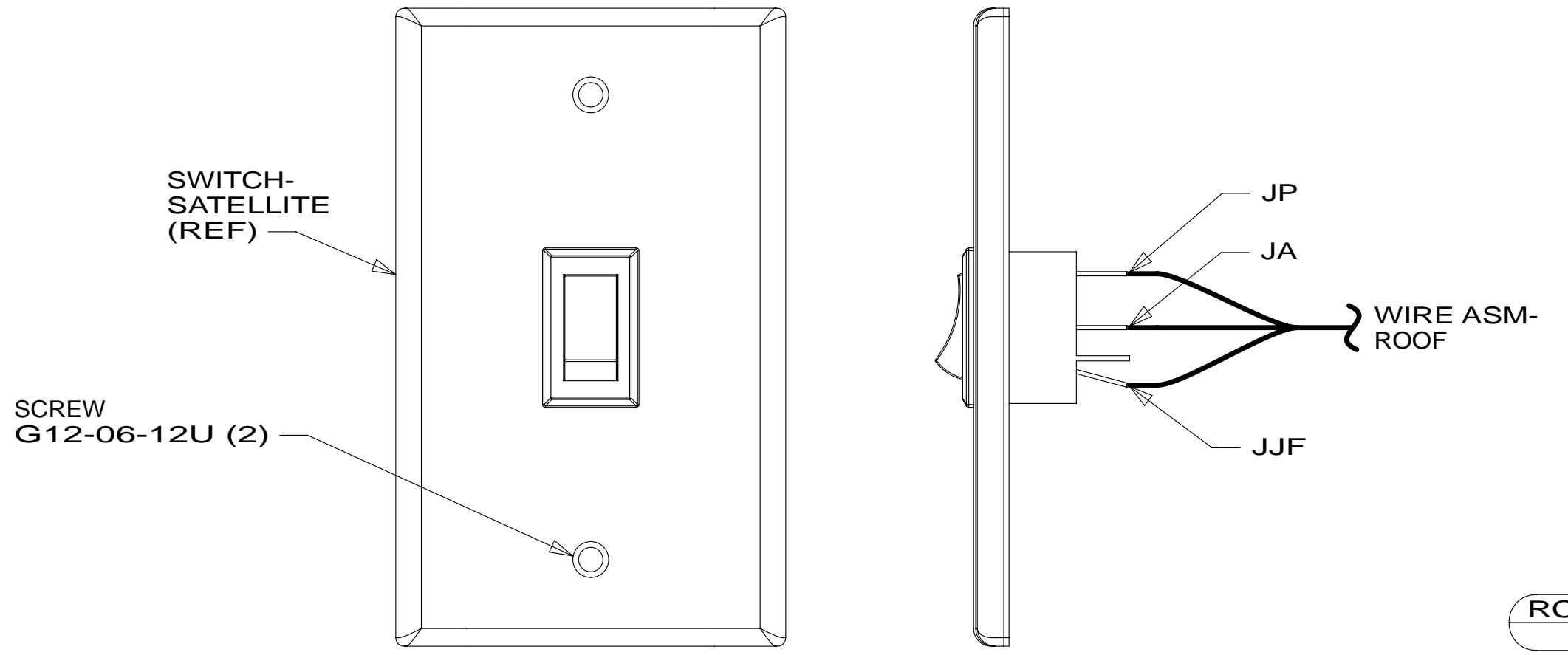
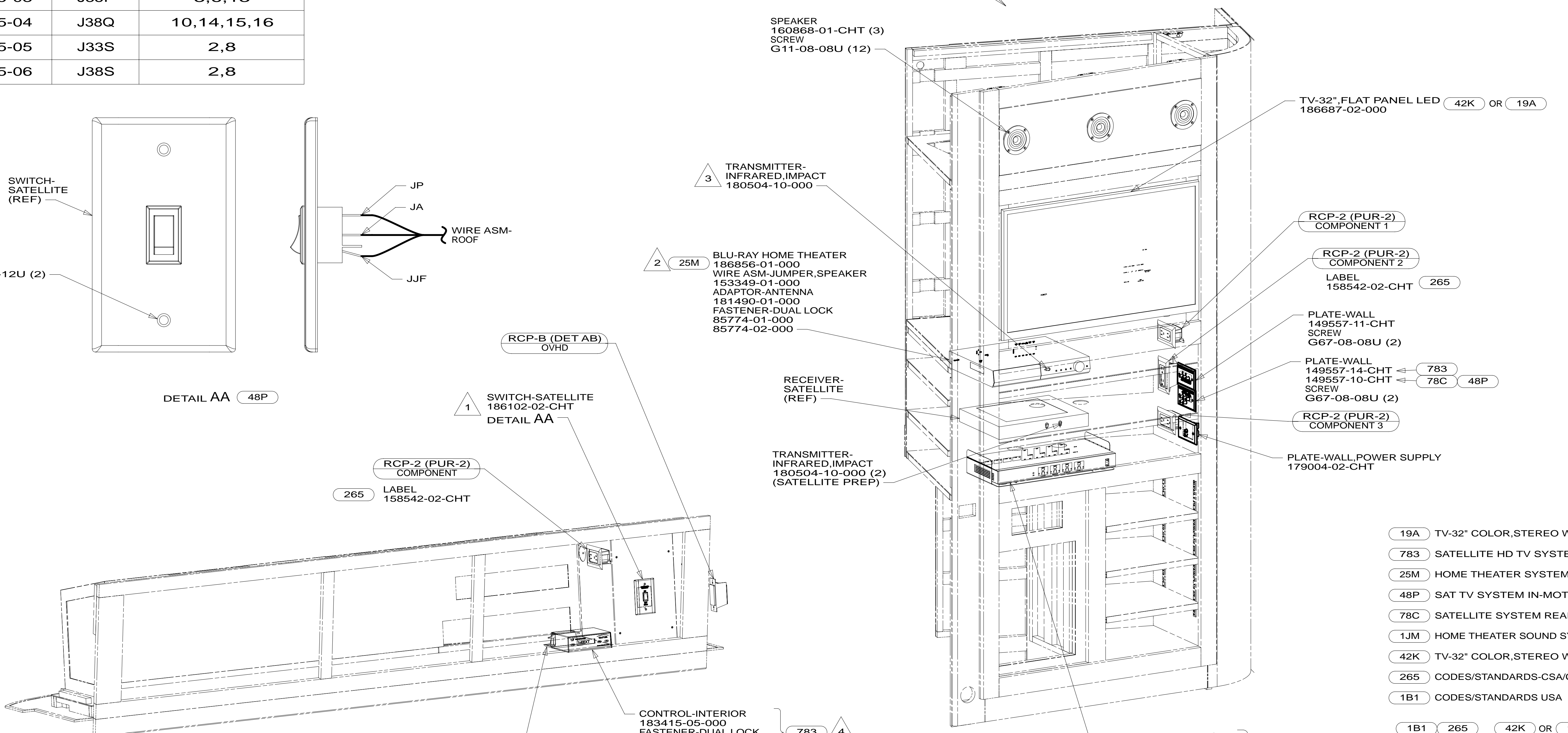
C

B

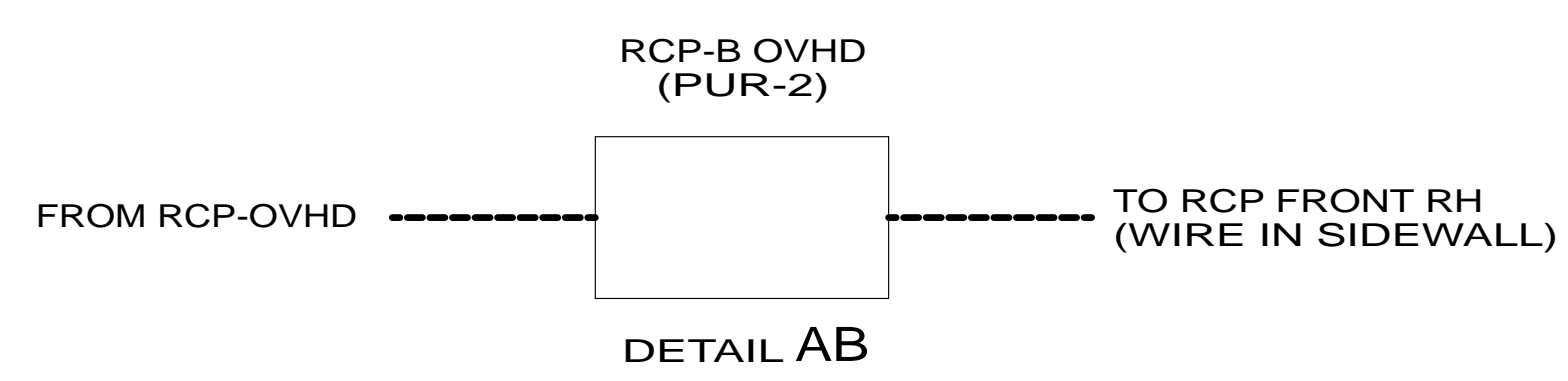
B

A

A



- NOTES:
- 5 PLACE I.R. RECEIVER TO TOP OF 4X4 MATRIX FACING OPENING.
  - 4 INTERIOR CONTROL CONNECTS TO SATELLITE DATA CABLE. SEE ROOF ASM FOR ADDITIONAL INFORMATION.
  - 3 PLACE I.R.E. IN FRONT OF THE BLU-RAY PLAYER AS SHOWN. (150 MM FROM RIGHT SIDE)
  - 2 SET DVD PLAYER FOR AUDIO ON HDMI AND MAX VIDEO OUTPUT TO 1080i.
  - 1 SEE ROOF ASM FOR ADDITIONAL INFORMATION.



FOR ELECTRICAL TORQUE SPECIFICATIONS SEE DWG NO. 128783-01-000

FOR ELECTRICAL CALLOUTS SEE DWG NO. 121339-01-000

- 19A TV-32" COLOR, STEREO W/REMOTE
- 783 SATELLITE HD TV SYSTEM AUTOC
- 25M HOME THEATER SYSTEM, BLU-RAY
- 48P SAT TV SYSTEM IN-MOTION
- 78C SATELLITE SYSTEM READY
- 1JM HOME THEATER SOUND SYSTEM
- 42K TV-32" COLOR, STEREO W/REMOTE
- 265 CODES/STANDARDS-CSA/CMVSS
- 1B1 CODES/STANDARDS USA

**WINNEBAGO** INDUSTRIES, INC. COPYRIGHT 2014

ALL DIMENSIONS ARE IN MILLIMETERS

**14 J-SERIES**

UNSPECIFIED TOLERANCES ARE:

WHOLE DIM (X)	: 3
ONE-PLACE (X.X)	: 1.5
TWO-PLACE (X.XX)	: 0.50
ANGLE	: 1°

THIRD ANGLE PROJECTION

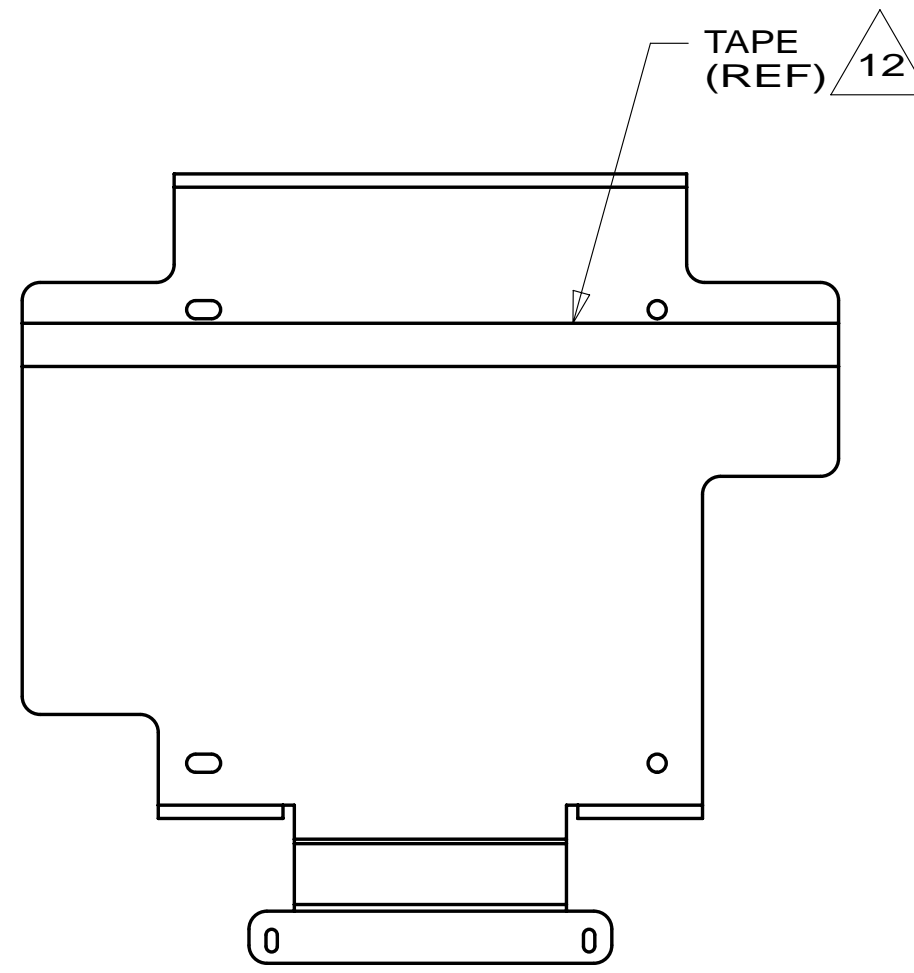
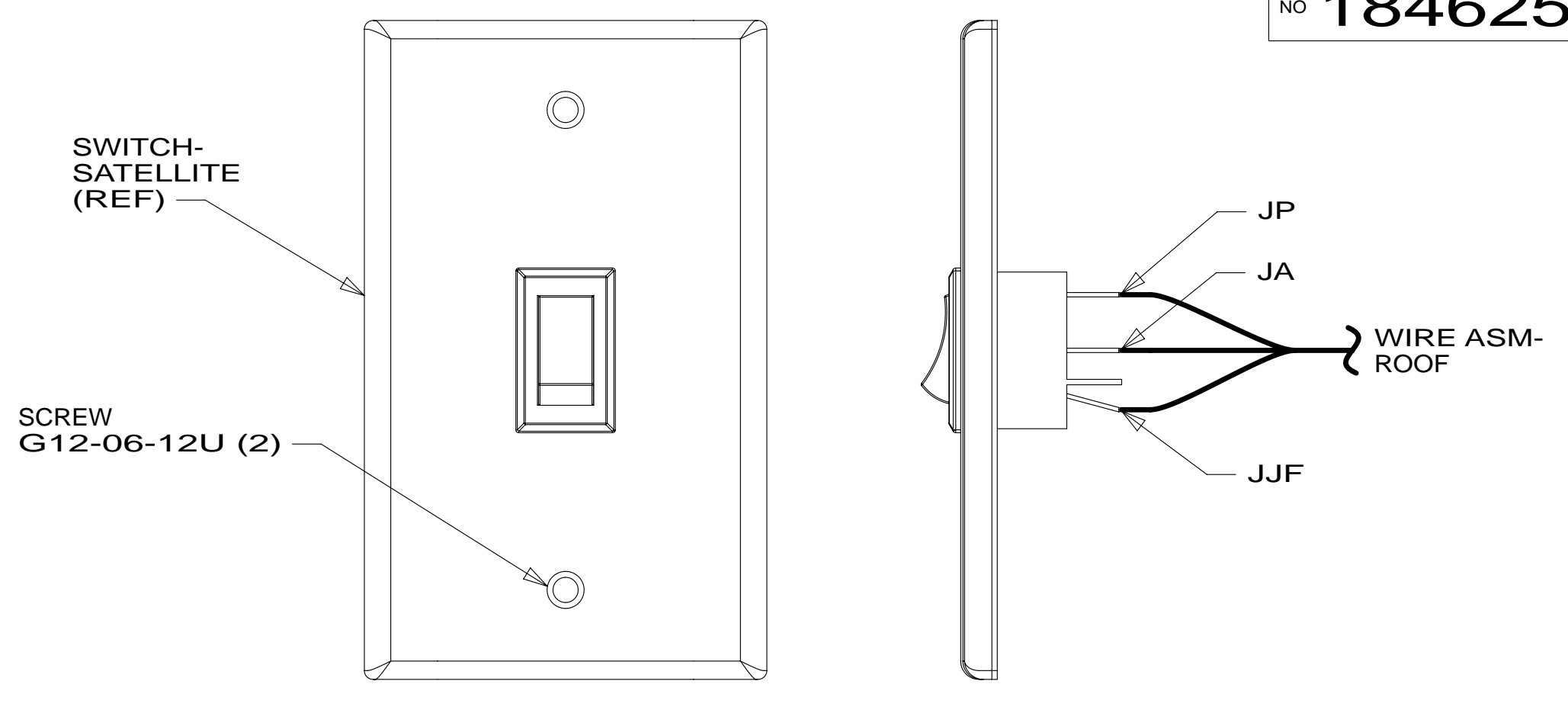
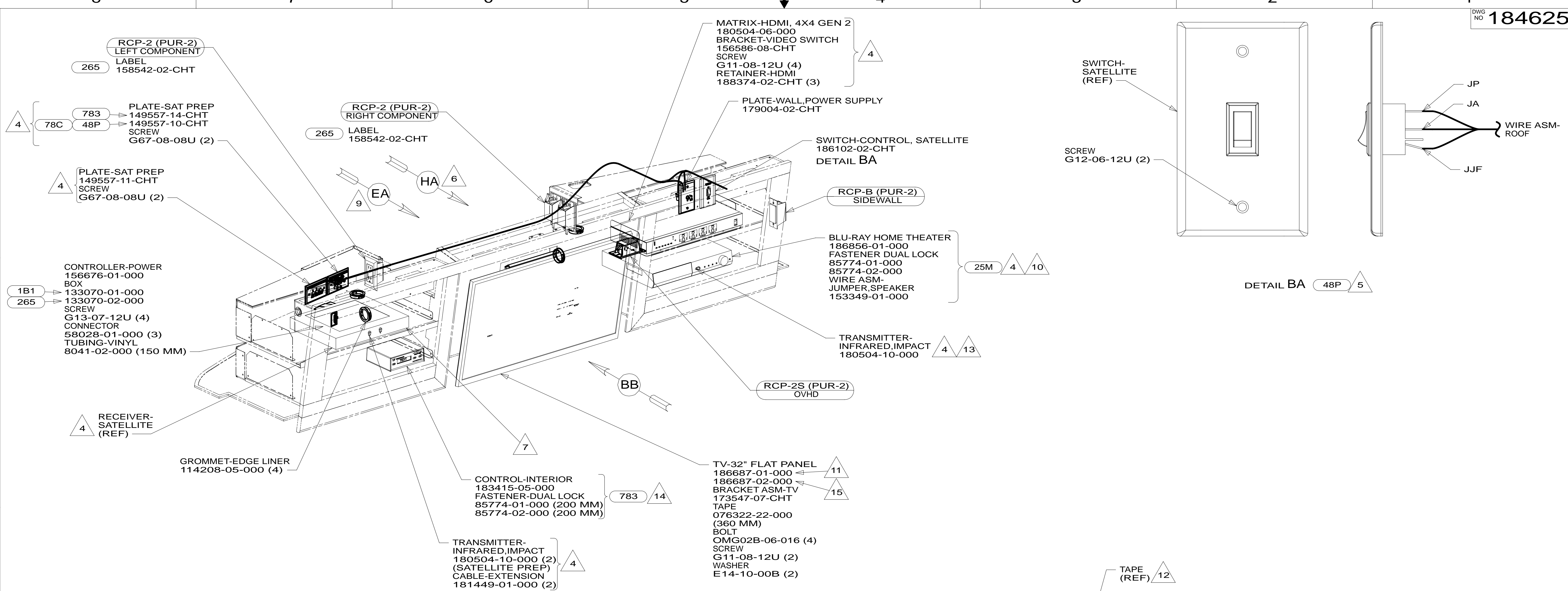
DO NOT SCALE DRAWING REFER TO ES0018 FOR FASTENER TIGHTENING GUIDELINES

TITLE: **WIRING INSTL-TV/DVD**

SHEET 1 OF 16 PART NO. **184625** REV

REF: 1 22-Apr-2014

\* 184625 \*



- NOTES:**
- 110V WIRE TO BE CLAMPED WITH CLAMP 10497-05-000 WITHIN 200MM OF OUTLET BOXES, USE SCREW G67-10-12U.
  - ALL WIRES TO BE SECURED WITH CLAMP 10495-01-000 OR CLIP 80734-01-000 EVERY 600MM. USE SCREW G67-10-12U UNLESS OTHERWISE SPECIFIED.
  - WHERE WIRES PASS THROUGH HOLES IN STEEL AND NOT OTHERWISE PROTECTED, USE GROMMET 92908-02-000.
- 10 SET DVD PLAYER FOR AUDIO ON HDMI AND MAX VIDEO OUTPUT TO 1080i.
- 9 USED ON J37F ONLY.
- 8 POSITION TRANSMITTER ON THE TOP OF THE DVD/VCR 180MM FROM THE RIGHT SIDE TO LINE UP WITH THE RECEIVER EYE.
- 7 POSITION OTHER IR TRANSMITTER HERE OR COIL FOR FUTURE USE.
- 6 USED ON J33S OR J38S ONLY.
- 5 SEE ROOF ASM FOR ADDITIONAL INFORMATION.
- 4 NOT USED ON J33S OR J38S.

- 15 USED ON J37F.
- 14 INTERIOR CONTROL CONNECTS TO SATELLITE DATA CABLE. SEE ROOF ASM FOR ADDITIONAL INFORMATION.
- 13 PLACE I.R.E. IN FRONT OF THE BLU-RAY PLAYER AS SHOWN. (150 MM FROM THE RIGHT SIDE)
- 12 CLEAN AND APPLY ADHESIVE PROMOTER 87211-01-000 TO BOTH SURFACES AND BOND WHERE TOP FLANGE OF BRACKET CONTACTS PLASTIC TV BEZEL.
- 11 USED ON J38S AND J33S.

- 19B TV(FRONT)-32" COLOR STEREO
- 783 SATELLITE HD TV SYSTEM AUTOC
- 25M HOME THEATER SYSTEM, BLU-RAY
- 48P SAT TV SYSTEM IN-MOTION
- 78C SATELLITE SYSTEM READY
- 1JM HOME THEATER SOUND SYSTEM
- 21R DINING/BUFFET/POWERED TV
- 42K TV-32" COLOR,STEREO W/REMOTE
- 265 CODES/STANDARDS-CSA/CMVSS
- 1B1 CODES/STANDARDS USA

FOR ELECTRICAL TORQUE SPECIFICATIONS SEE DWG NO. 128783-01-000

FOR ELECTRICAL CALLOUTS SEE DWG NO. 121339-01-000

FIRST USED

**14 J-SERIES**

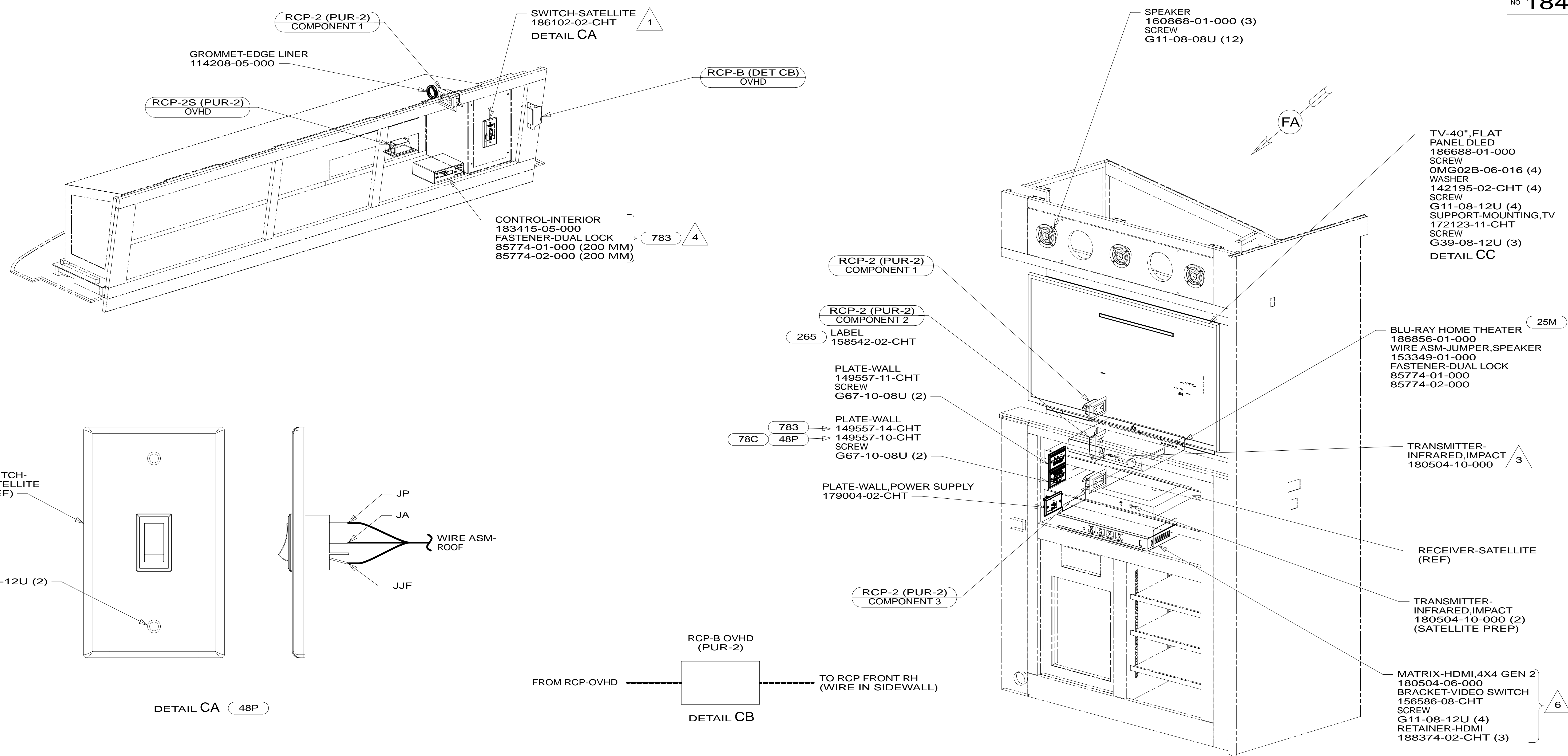
DO NOT SCALE DRAWING

TITLE: **WIRING INSTL-TV/DVD**

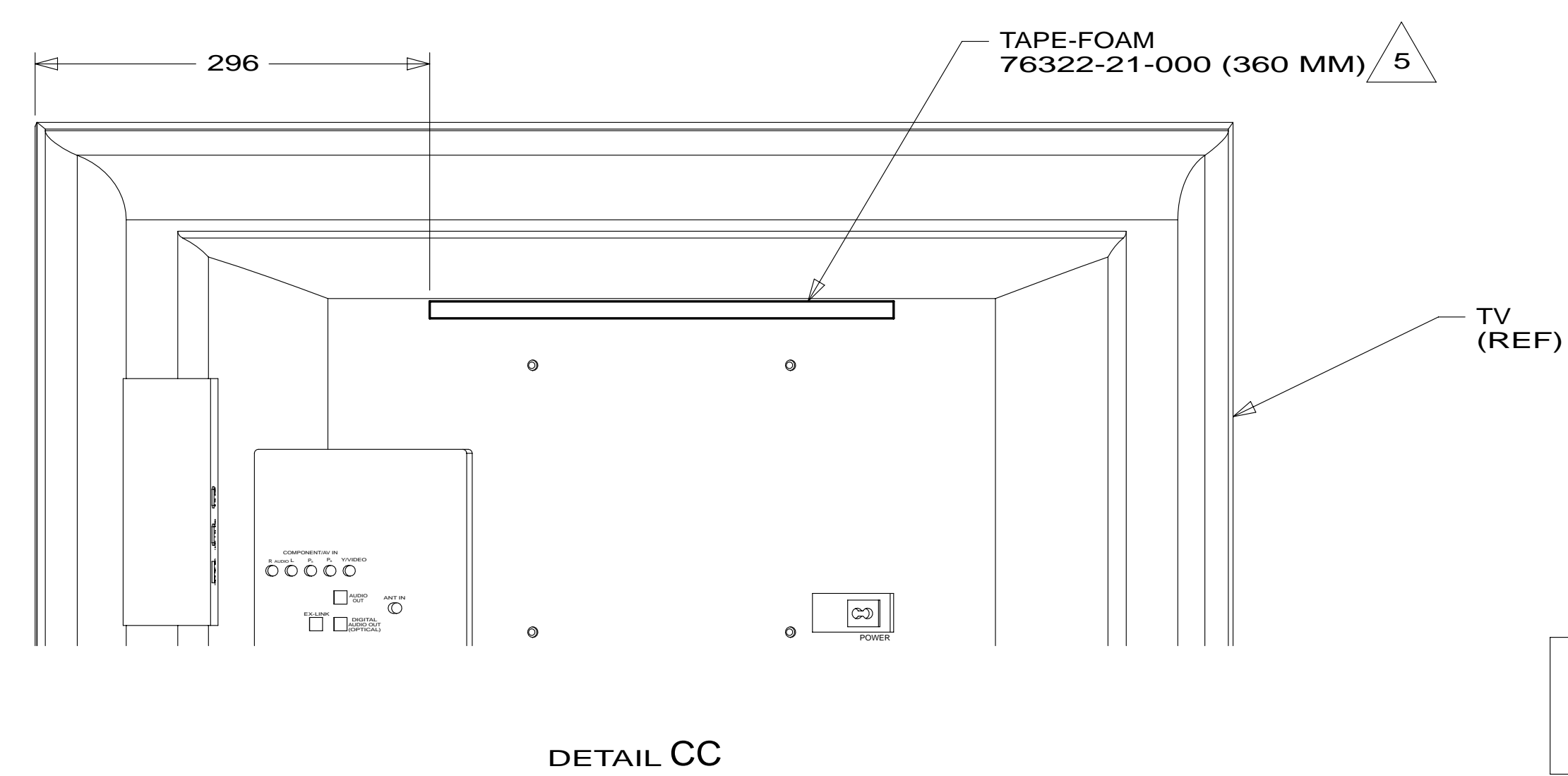
SHEET 2 PART NO **184625** REV

22-Apr-2014

\* 184625 \* A



- NOTES:**
- 6 PLACE I.R. RECEIVER ON TOP OF 4X4 MATRIX FACING OPENING.
  - 5 CLEAN AND APPLY ADHESIVE PROMOTER 87211-01-000 TO BOTH SURFACES AND BOND WHERE TOP FLANGE OF BRACKET CONTACTS PLASTIC TV BEZEL.
  - 4 INTERIOR CONTROL CONNECTS TO SATELLITE DATA CABLE. SEE ROOF ASM FOR ADDITIONAL INFORMATION.
  - 3 PLACE I.R.E. IN FRONT OF THE BLU-RAY PLAYER AS SHOWN. (150 MM FROM RIGHT SIDE)
  - 2 SET DVD PLAYER FOR AUDIO ON HDMI AND MAX VIDEO OUTPUT TO 1080i.
  - 1 SEE ROOF ASM FOR ADDITIONAL INFORMATION.



- 783 SATELLITE HD TV SYSTEM AUTOC
- 25M HOME THEATER SYSTEM, BLU-RAY
- 1JM HOME THEATER SOUND SYSTEM
- 48P SAT TV SYSTEM IN-MOTION
- 78C SATELLITE SYSTEM READY
- 68D TV-40" COLOR, STEREO W/REMOTE
- 265 CODES/STANDARDS-CSA/CMVSS
- 1B1 CODES/STANDARDS USA

FOR ELECTRICAL TORQUE SPECIFICATIONS SEE DWG NO. 128783-01-000

FOR ELECTRICAL CALLOUTS SEE DWG NO. 121339-01-000

FIRST USED

## 14 J-SERIES

DO NOT SCALE DRAWING

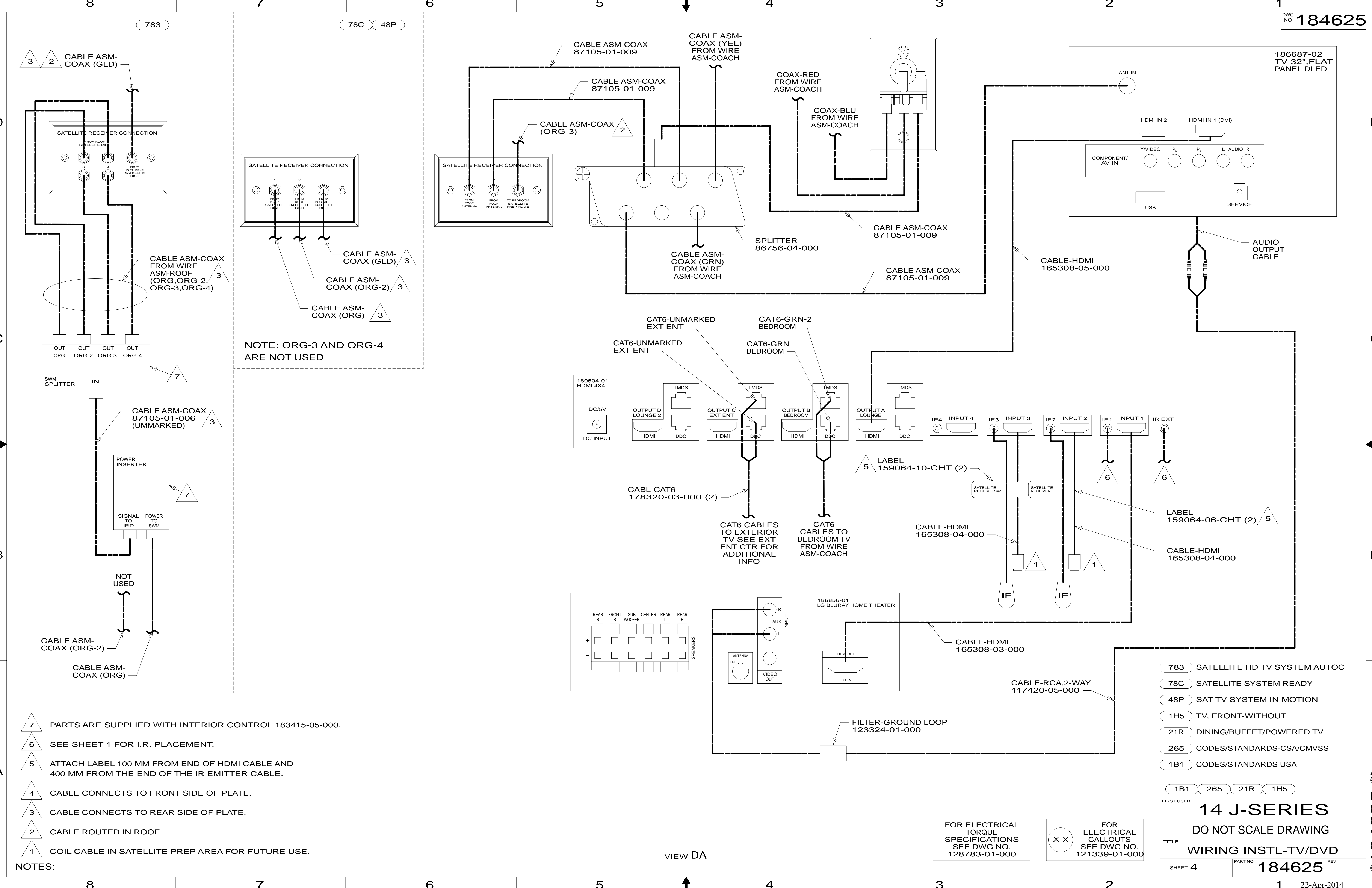
TITLE: **WIRING INSTL-TV/DVD**

SHEET 3 PART NO. **184625** REV

22-Apr-2014

\* 184625 \* A





- NOTES:
- 7 PARTS ARE SUPPLIED WITH INTERIOR CONTROL 183415-05-000.
  - 6 SEE SHEET 1 FOR I.R. PLACEMENT.
  - 5 ATTACH LABEL 100 MM FROM END OF HDMI CABLE AND 400 MM FROM THE END OF THE IR EMITTER CABLE.
  - 4 CABLE CONNECTS TO FRONT SIDE OF PLATE.
  - 3 CABLE CONNECTS TO REAR SIDE OF PLATE.
  - 2 CABLE ROUTED IN ROOF.
  - 1 COIL CABLE IN SATELLITE PREP AREA FOR FUTURE USE.

- 783 SATELLITE HD TV SYSTEM AUTOC
- 78C SATELLITE SYSTEM READY
- 48P SAT TV SYSTEM IN-MOTION
- 1H5 TV, FRONT-WITHOUT
- 21R DINING/BUFFET/POWERED TV
- 265 CODES/STANDARDS-CSA/CMVSS
- 1B1 CODES/STANDARDS USA

1B1	265	21R	1H5
FIRST USED			
<b>14 J-SERIES</b>			
DO NOT SCALE DRAWING			
TITLE: <b>WIRING INSTL-TV/DVD</b>			
SHEET 4	PART NO	<b>184625</b>	REV
			22-Apr-2014

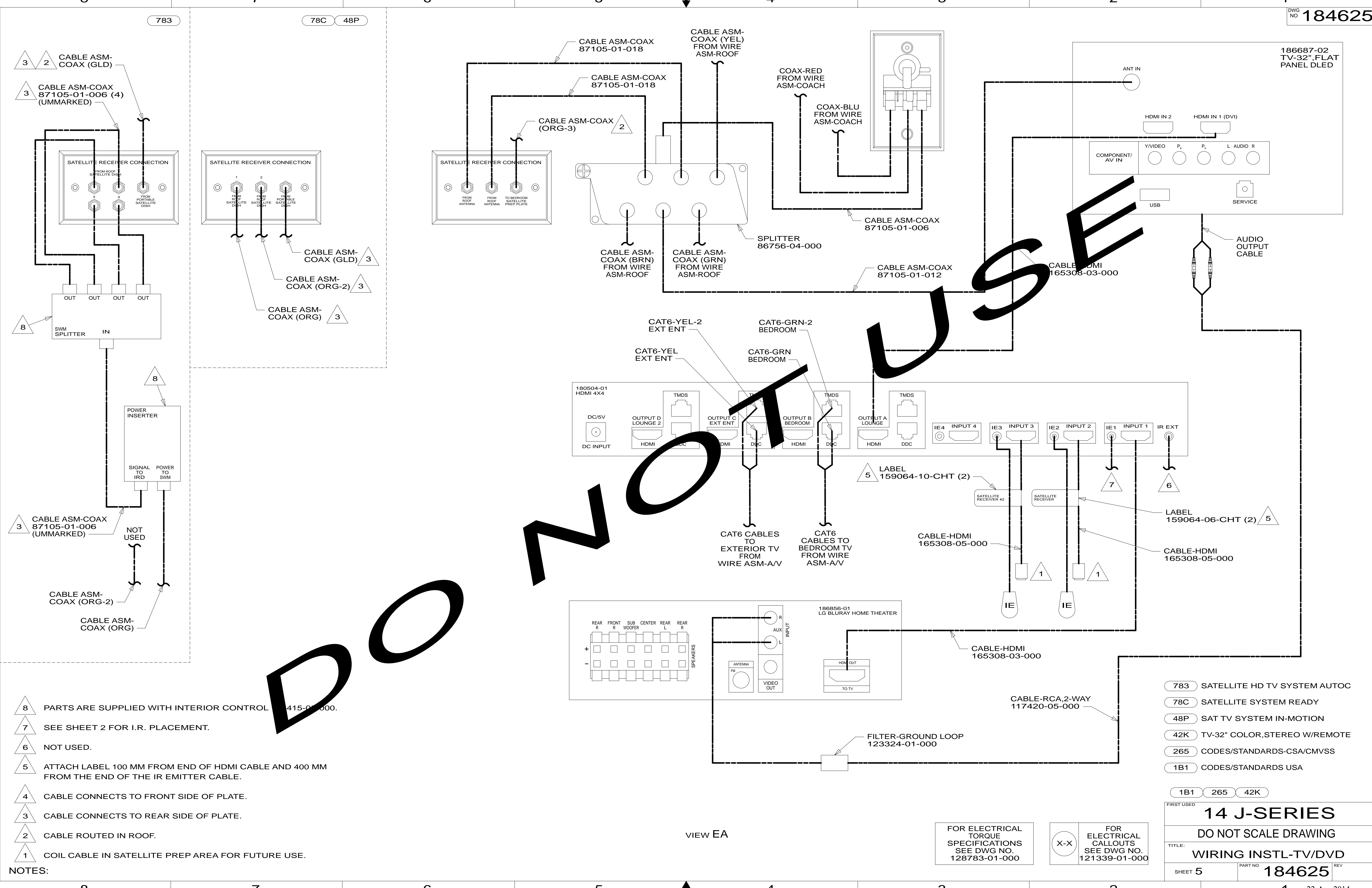
FOR ELECTRICAL TORQUE SPECIFICATIONS SEE DWG NO. 128783-01-000

X-X

FOR ELECTRICAL CALLOUTS SEE DWG NO. 121339-01-000

VIEW DA

\* 184625 \*



- NOTES:
- 8 PARTS ARE SUPPLIED WITH INTERIOR CONTROL 415-01-000.
  - 7 SEE SHEET 2 FOR I.R. PLACEMENT.
  - 6 NOT USED.
  - 5 ATTACH LABEL 100 MM FROM END OF HDMI CABLE AND 400 MM FROM THE END OF THE IR EMITTER CABLE.
  - 4 CABLE CONNECTS TO FRONT SIDE OF PLATE.
  - 3 CABLE CONNECTS TO REAR SIDE OF PLATE.
  - 2 CABLE ROUTED IN ROOF.
  - 1 COIL CABLE IN SATELLITE PREP AREA FOR FUTURE USE.

- 783 SATELLITE HD TV SYSTEM AUTOC
- 78C SATELLITE SYSTEM READY
- 48P SAT TV SYSTEM IN-MOTION
- 42K TV-32" COLOR, STEREO W/REMOTE
- 265 CODES/STANDARDS-CSA/CMVSS
- 1B1 CODES/STANDARDS USA

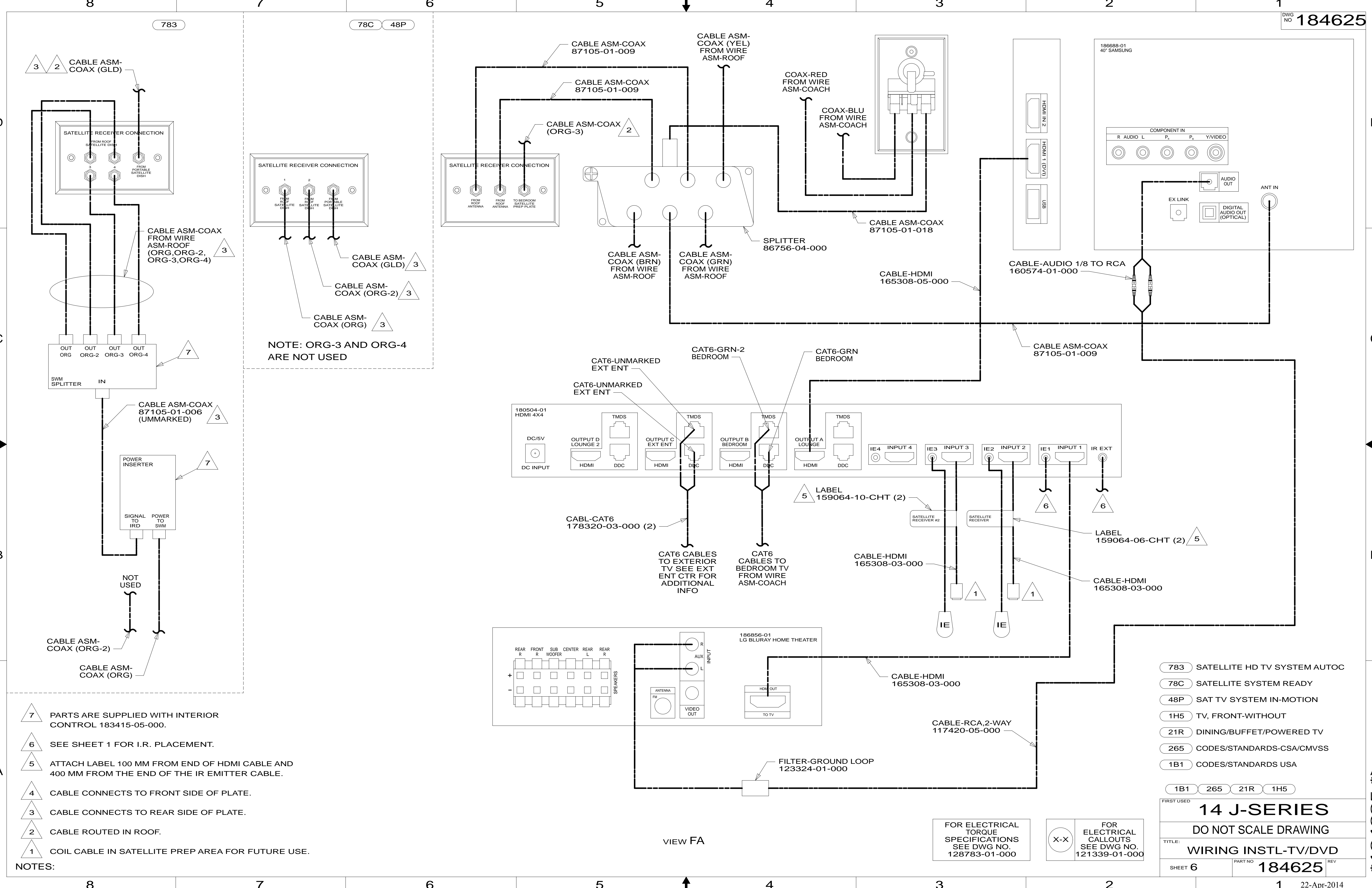
1B1	265	42K
FIRST USED		
<b>14 J-SERIES</b>		
DO NOT SCALE DRAWING		
TITLE: <b>WIRING INSTL-TV/DVD</b>		
SHEET 5	PART NO <b>184625</b>	REV

FOR ELECTRICAL TORQUE SPECIFICATIONS SEE DWG NO. 128783-01-000

FOR ELECTRICAL CALLOUTS SEE DWG NO. 121339-01-000

VIEW EA

\* 184625 \*



- NOTES:
- 7 PARTS ARE SUPPLIED WITH INTERIOR CONTROL 183415-05-000.
  - 6 SEE SHEET 1 FOR I.R. PLACEMENT.
  - 5 ATTACH LABEL 100 MM FROM END OF HDMI CABLE AND 400 MM FROM THE END OF THE IR EMITTER CABLE.
  - 4 CABLE CONNECTS TO FRONT SIDE OF PLATE.
  - 3 CABLE CONNECTS TO REAR SIDE OF PLATE.
  - 2 CABLE ROUTED IN ROOF.
  - 1 COIL CABLE IN SATELLITE PREP AREA FOR FUTURE USE.

- 783 SATELLITE HD TV SYSTEM AUTOC
- 78C SATELLITE SYSTEM READY
- 48P SAT TV SYSTEM IN-MOTION
- 1H5 TV, FRONT-WITHOUT
- 21R DINING/BUFFET/POWERED TV
- 265 CODES/STANDARDS-CSA/CMVSS
- 1B1 CODES/STANDARDS USA

1B1 265 21R 1H5

FIRST USED

**14 J-SERIES**

DO NOT SCALE DRAWING

TITLE: **WIRING INSTL-TV/DVD**

SHEET 6 PART NO **184625** REV

22-Apr-2014

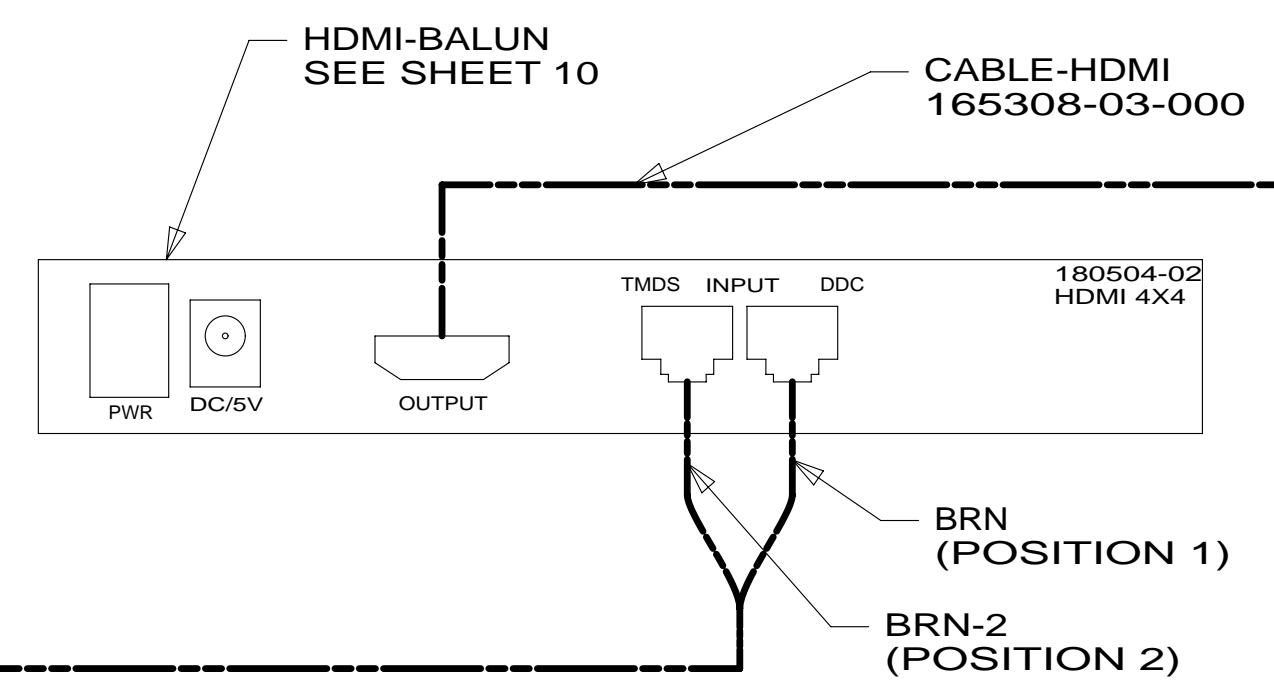
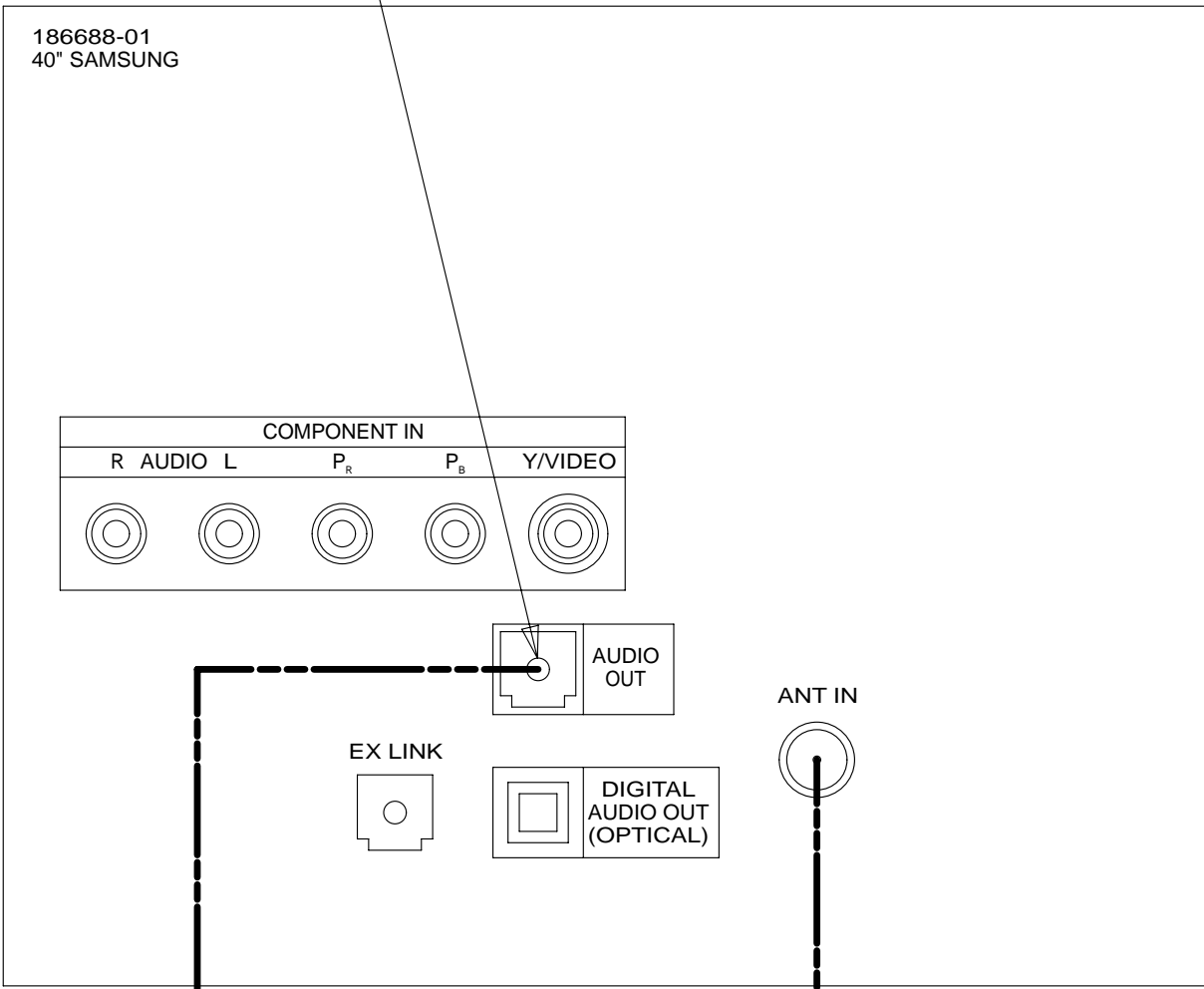
FOR ELECTRICAL TORQUE SPECIFICATIONS SEE DWG NO. 128783-01-000

X-X FOR ELECTRICAL CALLOUTS SEE DWG NO. 121339-01-000

VIEW FA

\* 184625 \*

CONNECTOR-3.5MM, 90°  
186775-01-000



CAT 6 CABLE FROM WIRE ASM-A/V

TO DVD PLAYER SEE SHEET 10

TO SPLITTER SEE SHEET 10

RCP-TV POWER  
HDMI BALUM POWER

CABLE-AUDIO 1/8 TO RCA  
160574-01-000

CABLE-RCA,2-WAY FROM WIRE ASM-A/V

CABLE ASM-COAX (BRN) FROM WIRE ASM-A/V

HDMI-BALUN SEE SHEET 10

CABLE-HDMI 165308-03-000

VIEW GA

- 21R DINING/BUFFET/POWERED TV
- 265 CODES/STANDARDS-CSA/CMVSS
- 1B1 CODES/STANDARDS USA

1B1 265 21R

FIRST USED  
**14 J-SERIES**

DO NOT SCALE DRAWING

TITLE:  
**WIRING INSTL-TV/DVD**

SHEET 7 PART NO **184625** REV

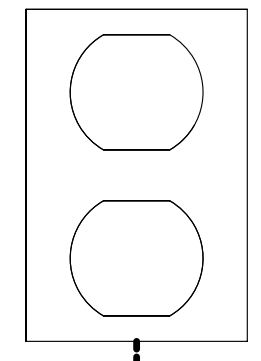
FOR ELECTRICAL TORQUE SPECIFICATIONS SEE DWG NO. 128783-01-000

FOR ELECTRICAL CALLOUTS SEE DWG NO. 121339-01-000

\* 184625 \* A

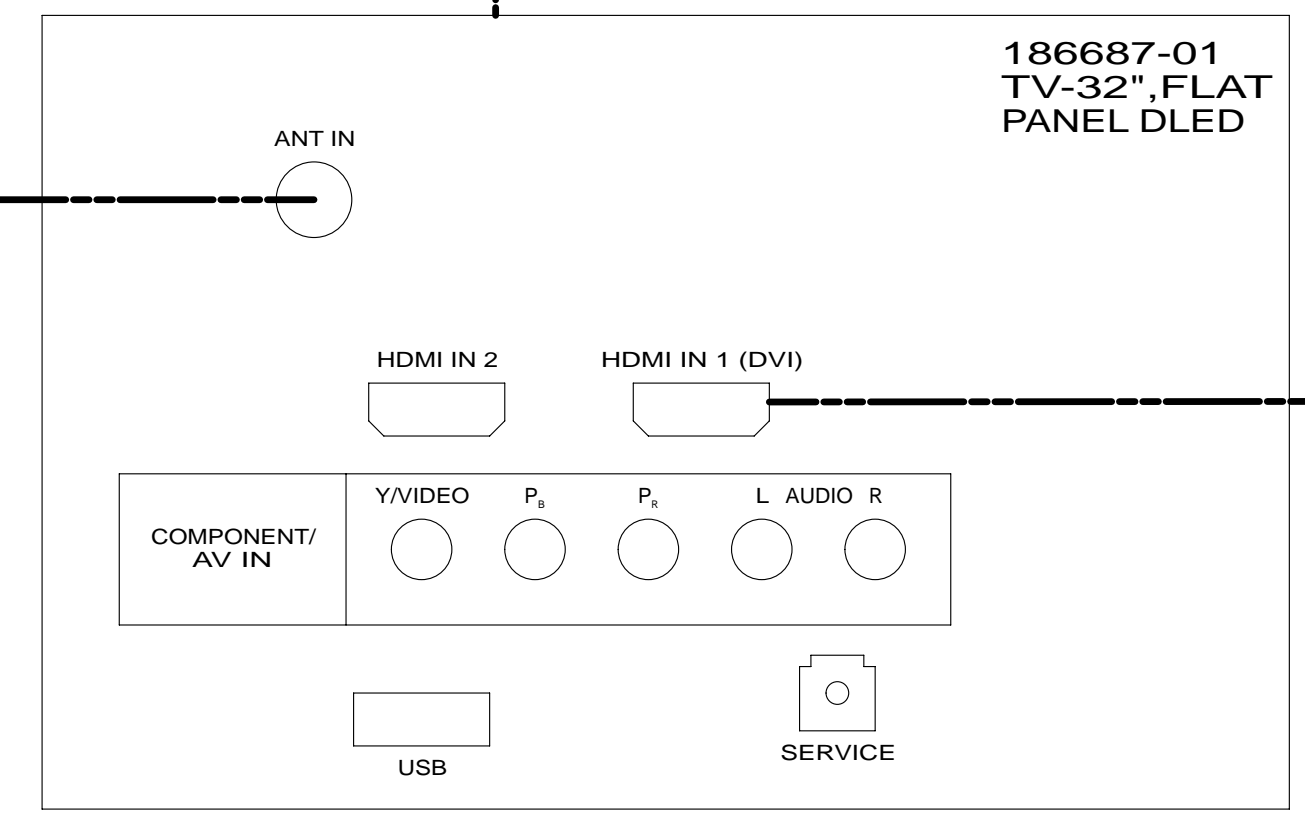


RCP-COMPONENT



POWER CORD (TV)

186687-01  
TV-32",FLAT  
PANEL DLED



CABLE-HDMI  
165308-05-000

LABEL  
159064-06-CHT

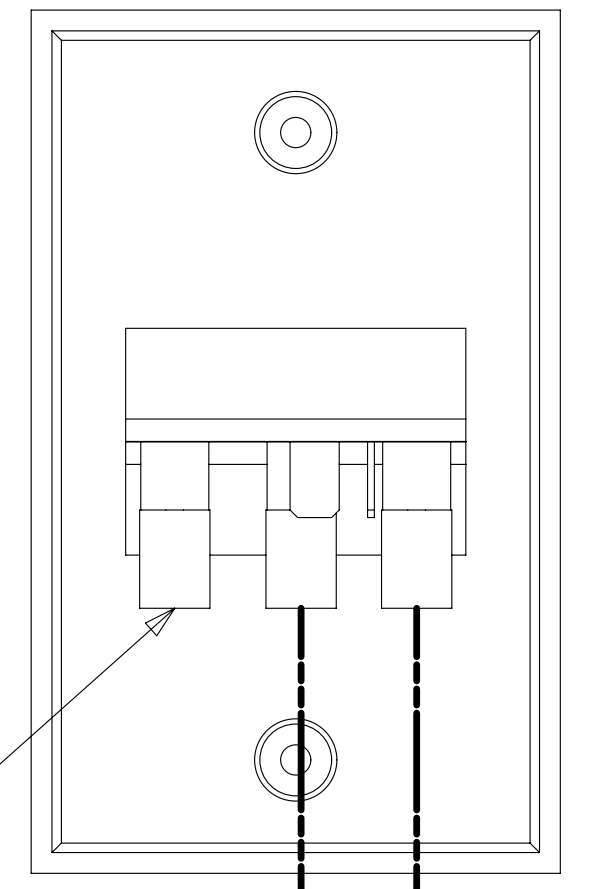
SATELLITE  
RECEIVER

150

TO DVD  
PREP SHELF 1

COAX-BLU  
FROM ANTENNA

CABLE INPUT  
NOT USED



CABLE ASM-COAX  
87105-01-030  
(UNMARKED)

DETAIL HA

- 19B TV(FRONT)-32" COLOR STEREO
- 42K TV-32" COLOR,STEREO W/REMOTE
- 265 CODES/STANDARDS-CSA/CMVSS
- 1B1 CODES/STANDARDS USA

1B1 265 42K OR 19B

FIRST USED  
**14 J-SERIES**

DO NOT SCALE DRAWING

TITLE:  
**WIRING INSTL-TV/DVD**

SHEET 8 PART NO **184625** REV

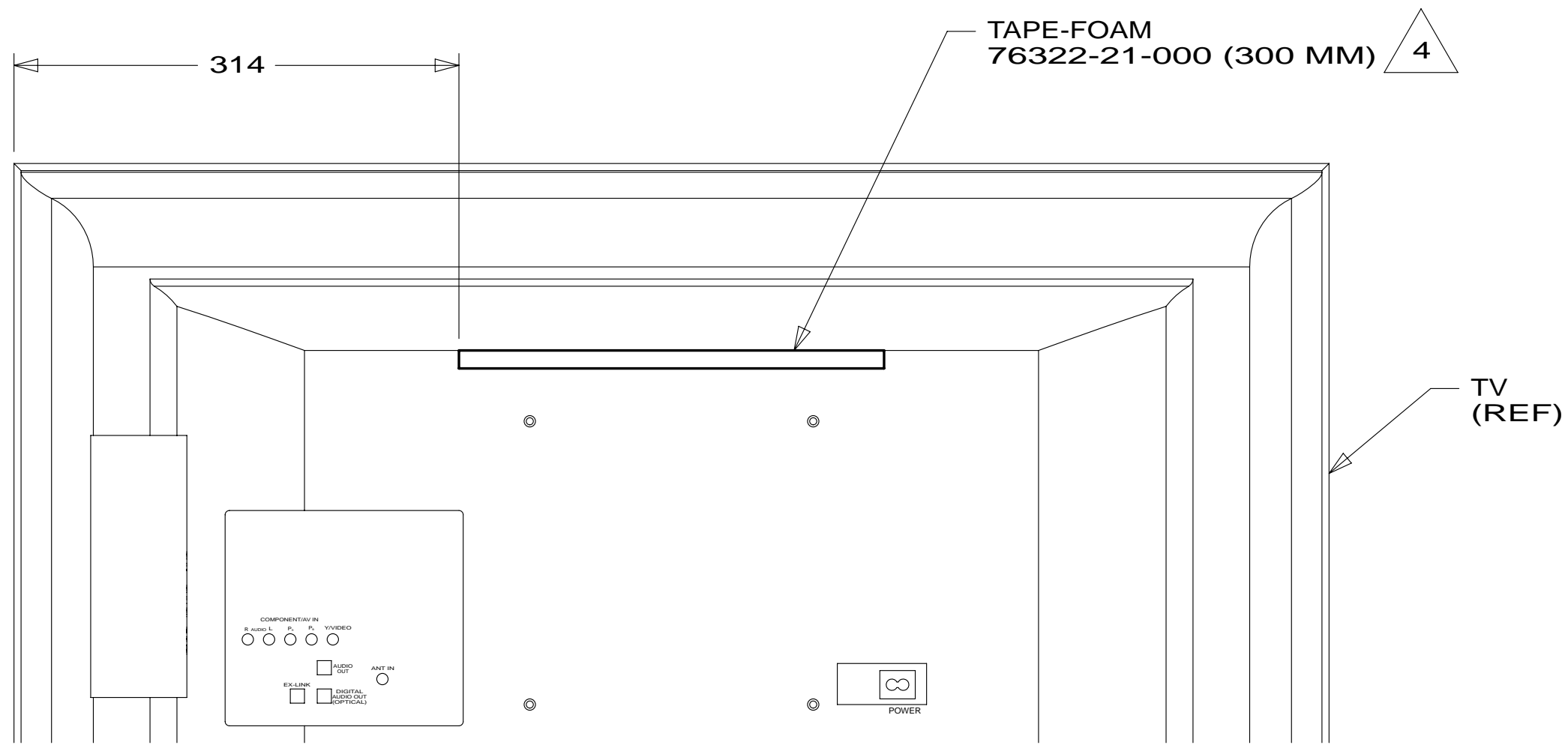
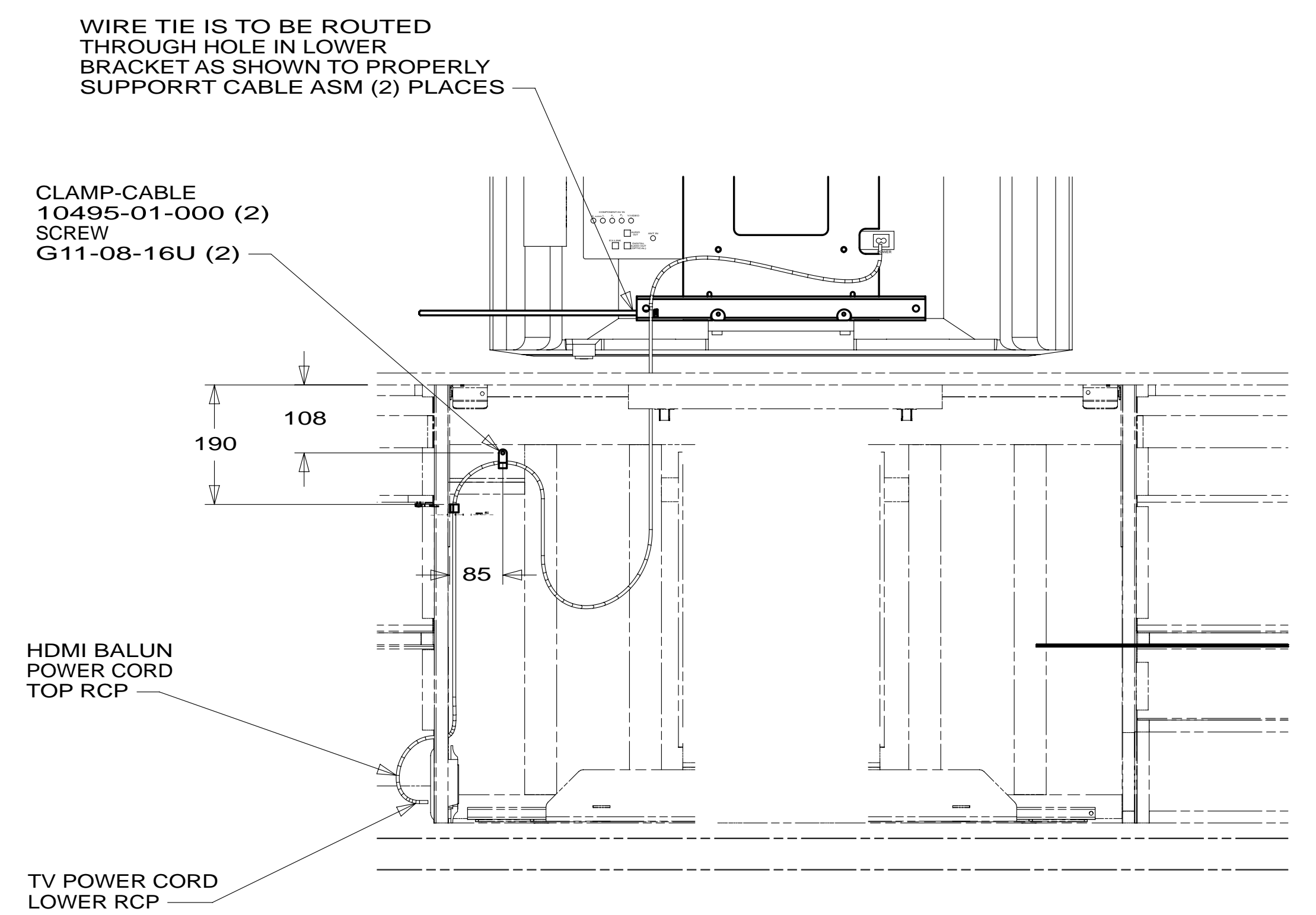
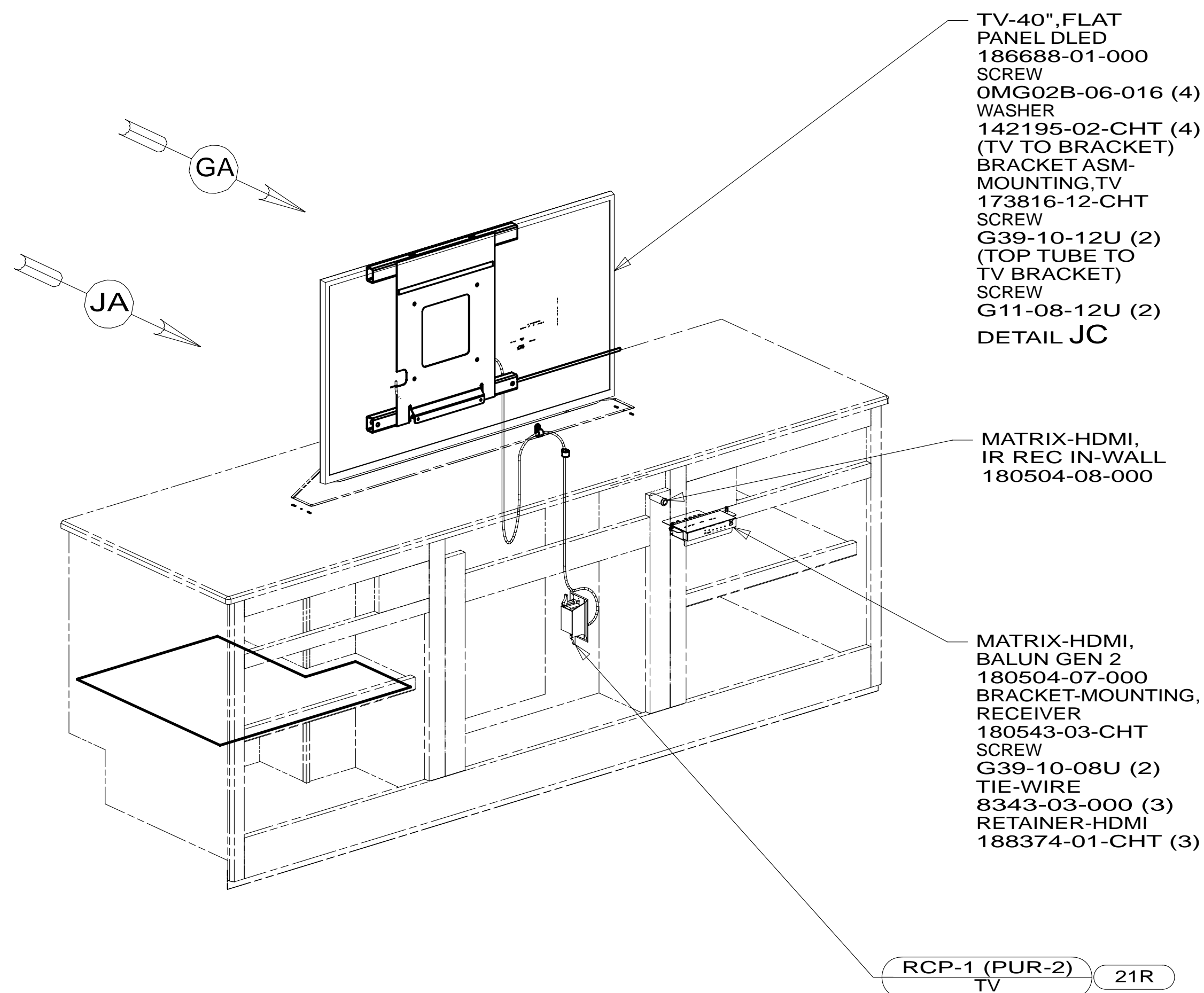
FOR ELECTRICAL  
TORQUE  
SPECIFICATIONS  
SEE DWG NO.  
128783-01-000

FOR  
ELECTRICAL  
CALLOUTS  
SEE DWG NO.  
121339-01-000

1 ROUTE CABLE TO LEFT OVHD CABINET AND COIL EXCESS  
NEXT TO SATELLITE PREP PLATE.

NOTES:

\* 184625 \* A



4 CLEAN AND APPLY ADHESIVE PROMOTER 87211-01-000 TO BOTH SURFACES AND BOND WHERE TOP FLANGE OF BRACKET CONTACTS PLASTIC TV BEZEL.

- 3. WHERE WIRES PASS THROUGH HOLES IN STEEL AND NOT OTHERWISE PROTECTED, USE GROMMET 92908-02-000.
- 2. ALL WIRES TO BE SECURED WITH CLAMP 10495-01-000 OR CLIP 80734-01-000 EVERY 600MM. USE SCREW G67-10-12U UNLESS OTHERWISE SPECIFIED.
- 1. 110V WIRE TO BE CLAMPED WITH CLAMP 10497-05-000 WITHIN 200MM OF OUTLET BOXES, USE SCREW G67-10-12U.

NOTES:

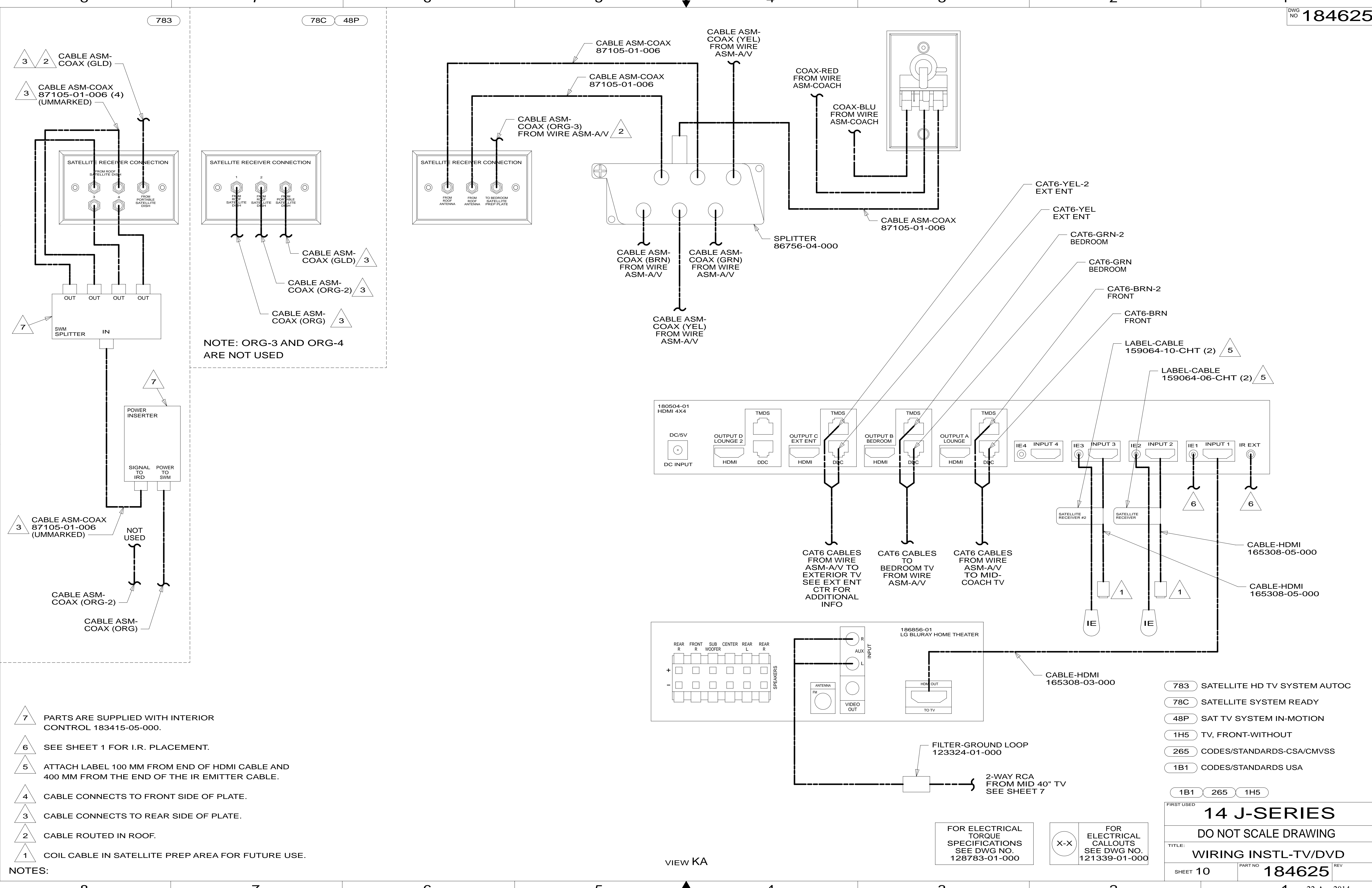
FOR ELECTRICAL TORQUE SPECIFICATIONS SEE DWG NO. 128783-01-000

FOR ELECTRICAL CALLOUTS SEE DWG NO. 121339-01-000

- 783 SATELLITE HD TV SYSTEM AUTOC
- 48P SAT TV SYSTEM IN-MOTION
- 78K SATELLITE DISH-AUTOMATIC
- 1JM HOME THEATER SOUND SYSTEM
- 21R DINING/BUFFET/POWERED TV
- 265 CODES/STANDARDS-CSA/CMVSS
- 1B1 CODES/STANDARDS USA

1B1	265	21R
FIRST USED		
<b>14 J-SERIES</b>		
DO NOT SCALE DRAWING		
TITLE: <b>WIRING INSTL-TV/DVD</b>		
SHEET 9	PART NO <b>184625</b>	REV

\* 184625 \* A



- NOTES:
- 7 PARTS ARE SUPPLIED WITH INTERIOR CONTROL 183415-05-000.
  - 6 SEE SHEET 1 FOR I.R. PLACEMENT.
  - 5 ATTACH LABEL 100 MM FROM END OF HDMI CABLE AND 400 MM FROM THE END OF THE IR EMITTER CABLE.
  - 4 CABLE CONNECTS TO FRONT SIDE OF PLATE.
  - 3 CABLE CONNECTS TO REAR SIDE OF PLATE.
  - 2 CABLE ROUTED IN ROOF.
  - 1 COIL CABLE IN SATELLITE PREP AREA FOR FUTURE USE.

- 783 SATELLITE HD TV SYSTEM AUTOC
- 78C SATELLITE SYSTEM READY
- 48P SAT TV SYSTEM IN-MOTION
- 1H5 TV, FRONT-WITHOUT
- 265 CODES/STANDARDS-CSA/CMVSS
- 1B1 CODES/STANDARDS USA

1B1	265	1H5
FIRST USED		
<b>14 J-SERIES</b>		
DO NOT SCALE DRAWING		
TITLE: <b>WIRING INSTL-TV/DVD</b>		
SHEET 10	PART NO <b>184625</b>	REV

FOR ELECTRICAL TORQUE SPECIFICATIONS SEE DWG NO. 128783-01-000

FOR ELECTRICAL CALLOUTS SEE DWG NO. 121339-01-000

VIEW KA

\* 184625 \*

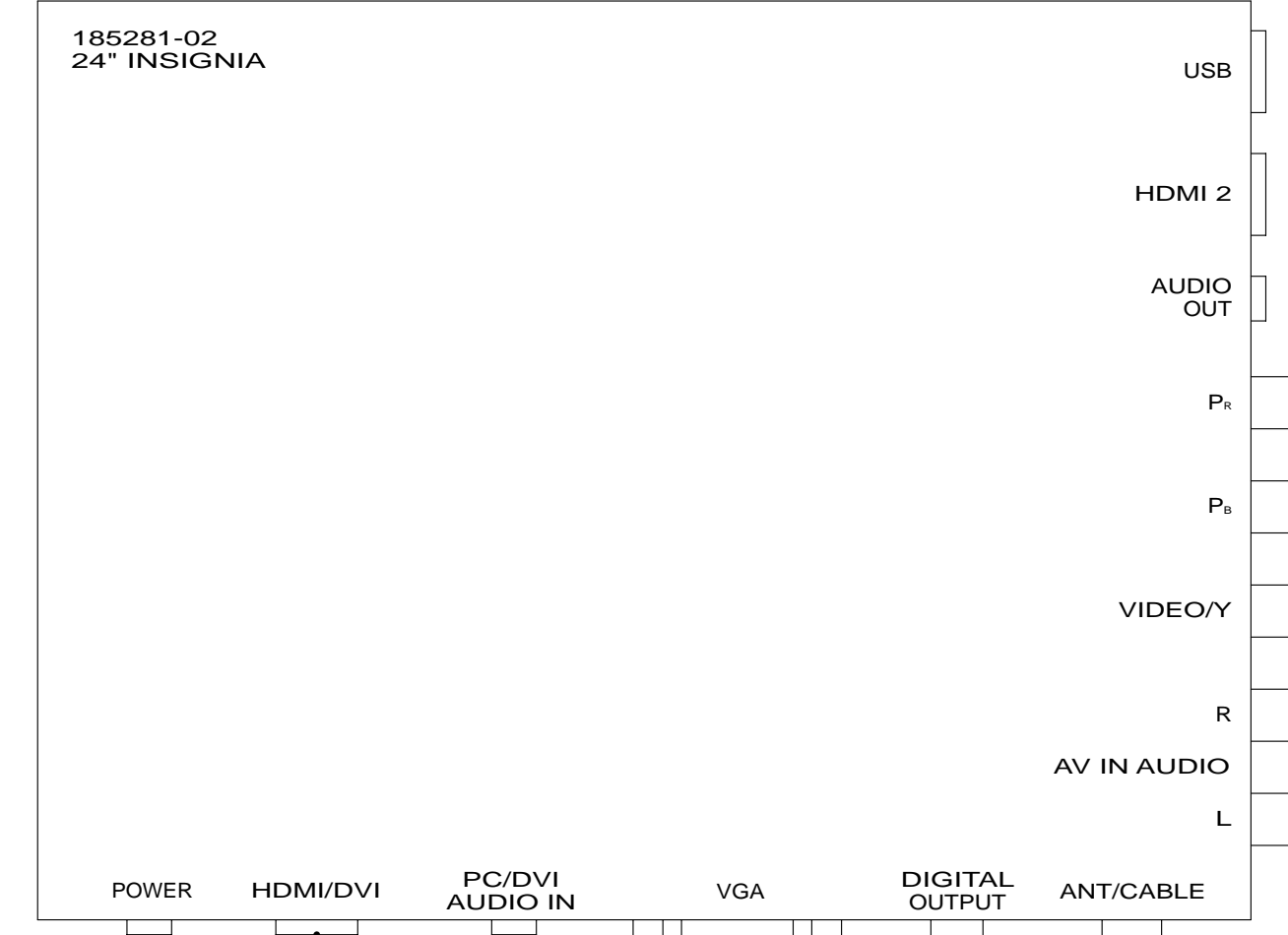
TV-24", FLAT PANEL LED, HDTV  
 185281-02-000  
 POWER SUPPLY  
 170909-04-000

SLIDEOUT ROOF  
 (REF)

SCREW  
 SUPPLIED WITH TV  
 (TV TO TV BRACKET)  
 SCREW  
 G39-10-12U (6)  
 (BRACKET TO SLIDE  
 END WALL)

BRACKET-MOUNT, TV  
 162393-01-CHT  
 PLATE-MOUNT, TV  
 162394-05-CHT  
 BOLT  
 C12-04-10U (3)  
 NUT  
 D39-04-00U (3)

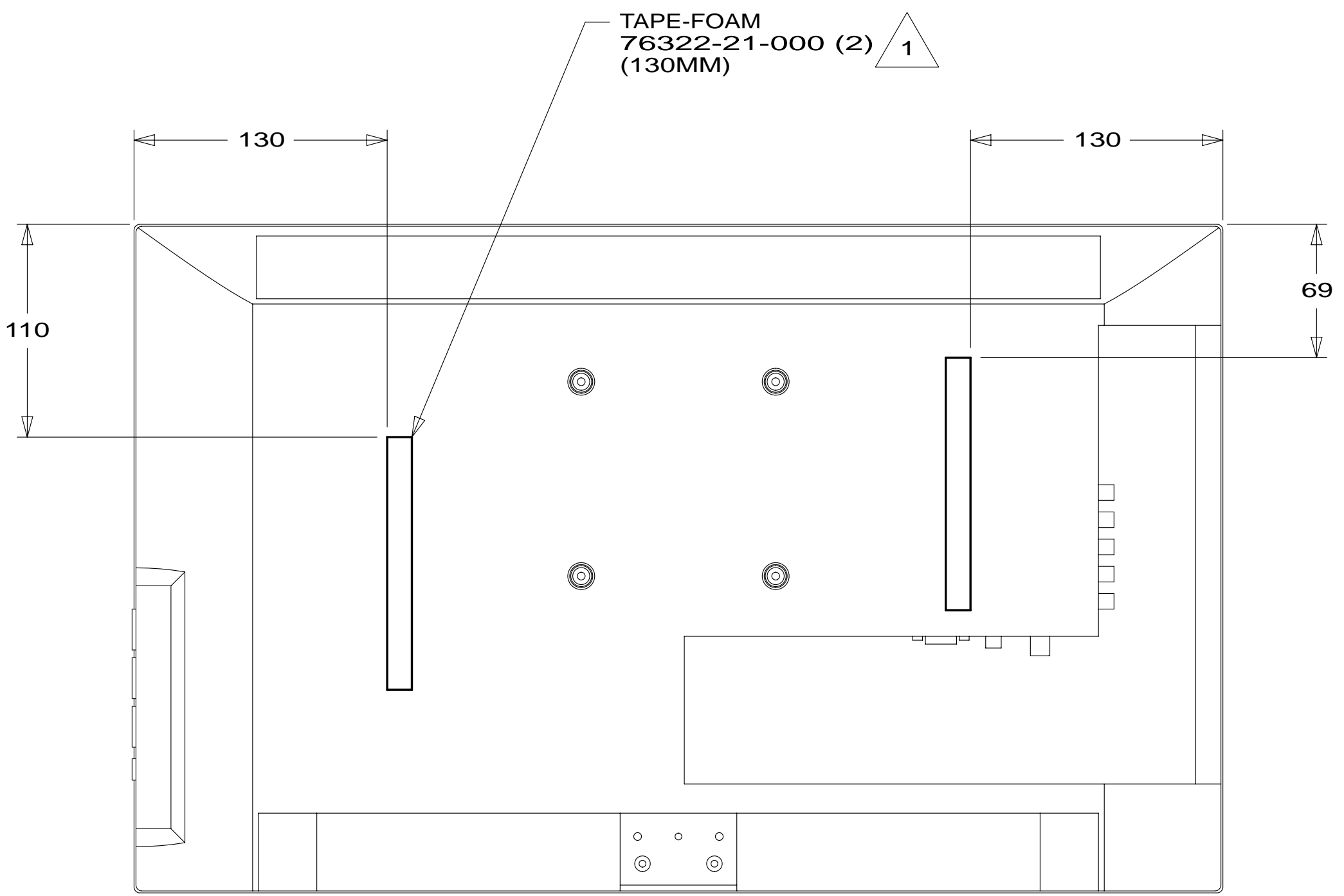
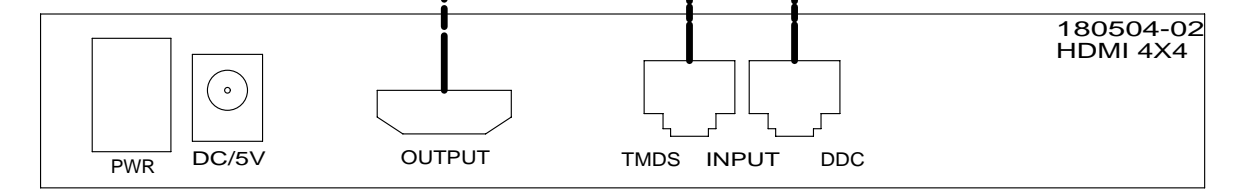
MATRIX-HDMI,  
 BALUN GEN 2  
 180504-07-000  
 BRACKET-MOUNTING,  
 RECEIVER  
 180543-04-CHT  
 SCREW  
 G39-10-08U (2)  
 TIE-WIRE  
 8343-03-000 (3)



GRN COAX  
 FROM  
 WIRE ASM-  
 SLIDEOUT

CABLE-HDMI  
 165308-03-000

YEL CAT6  
 CABLES FROM  
 WIRE ASM-COACH



VIEW LA

1 CLEAN AND APPLY ADHESIVE PROMOTER 87211-01-000 TO BOTH SURFACES TO BOND.

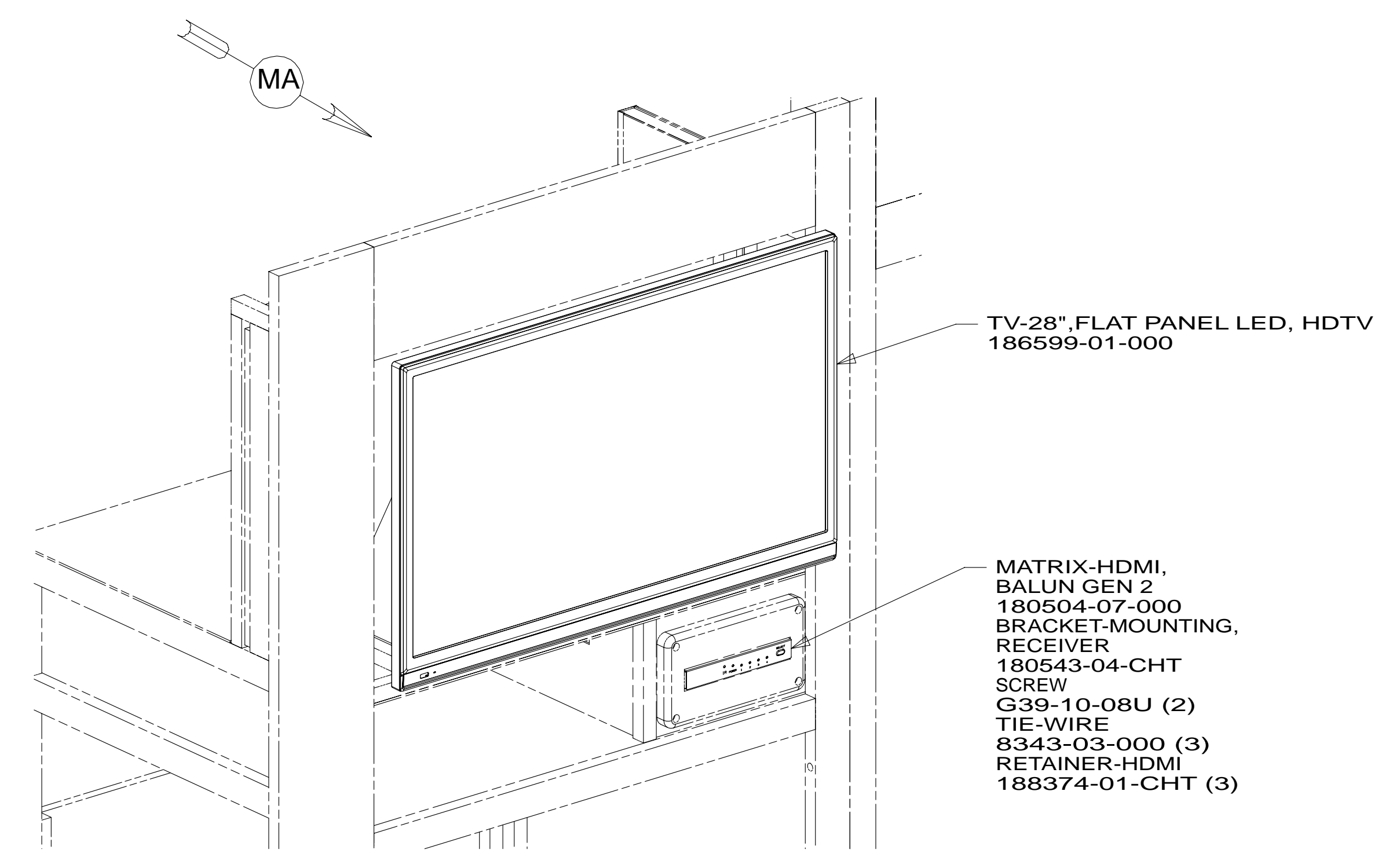
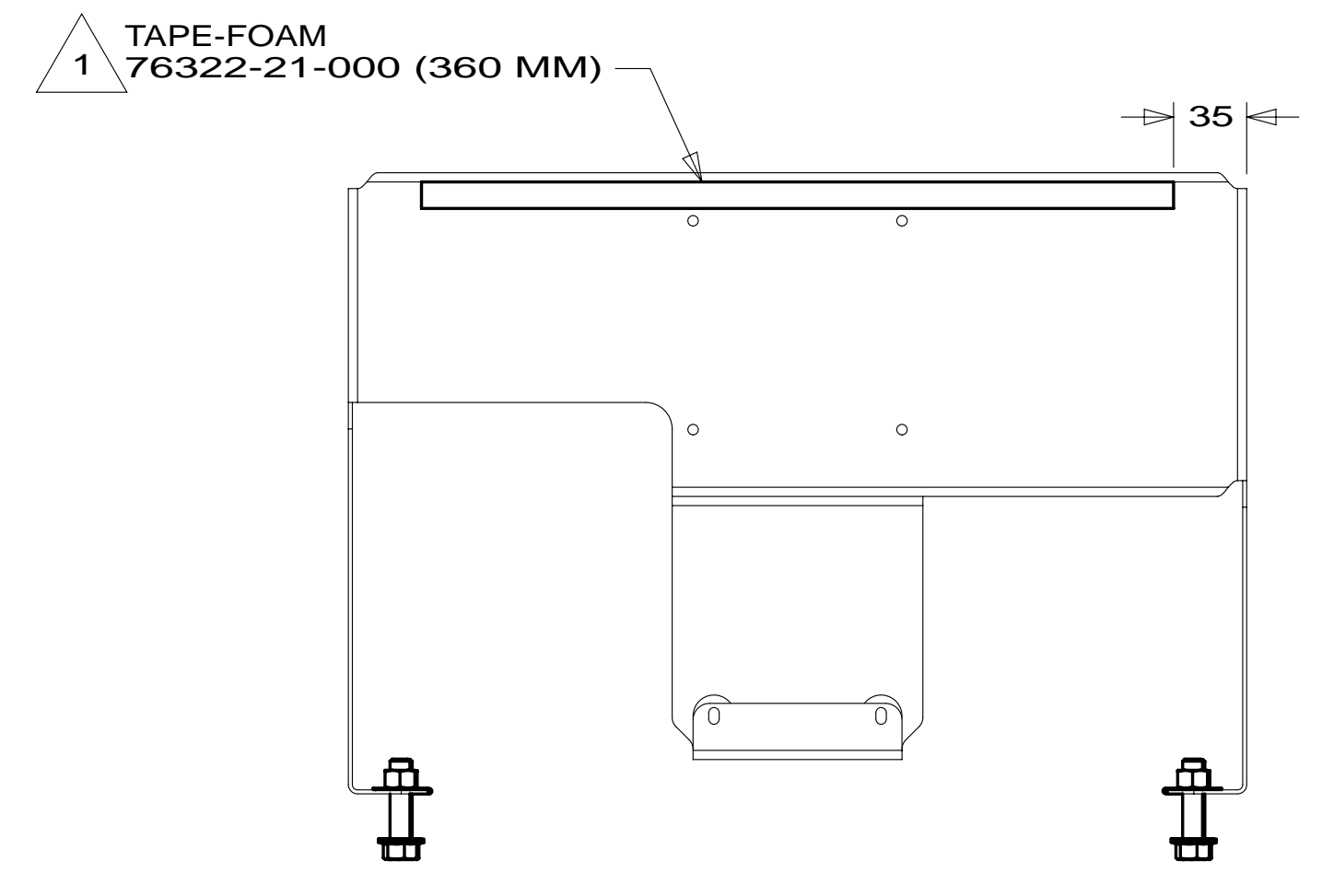
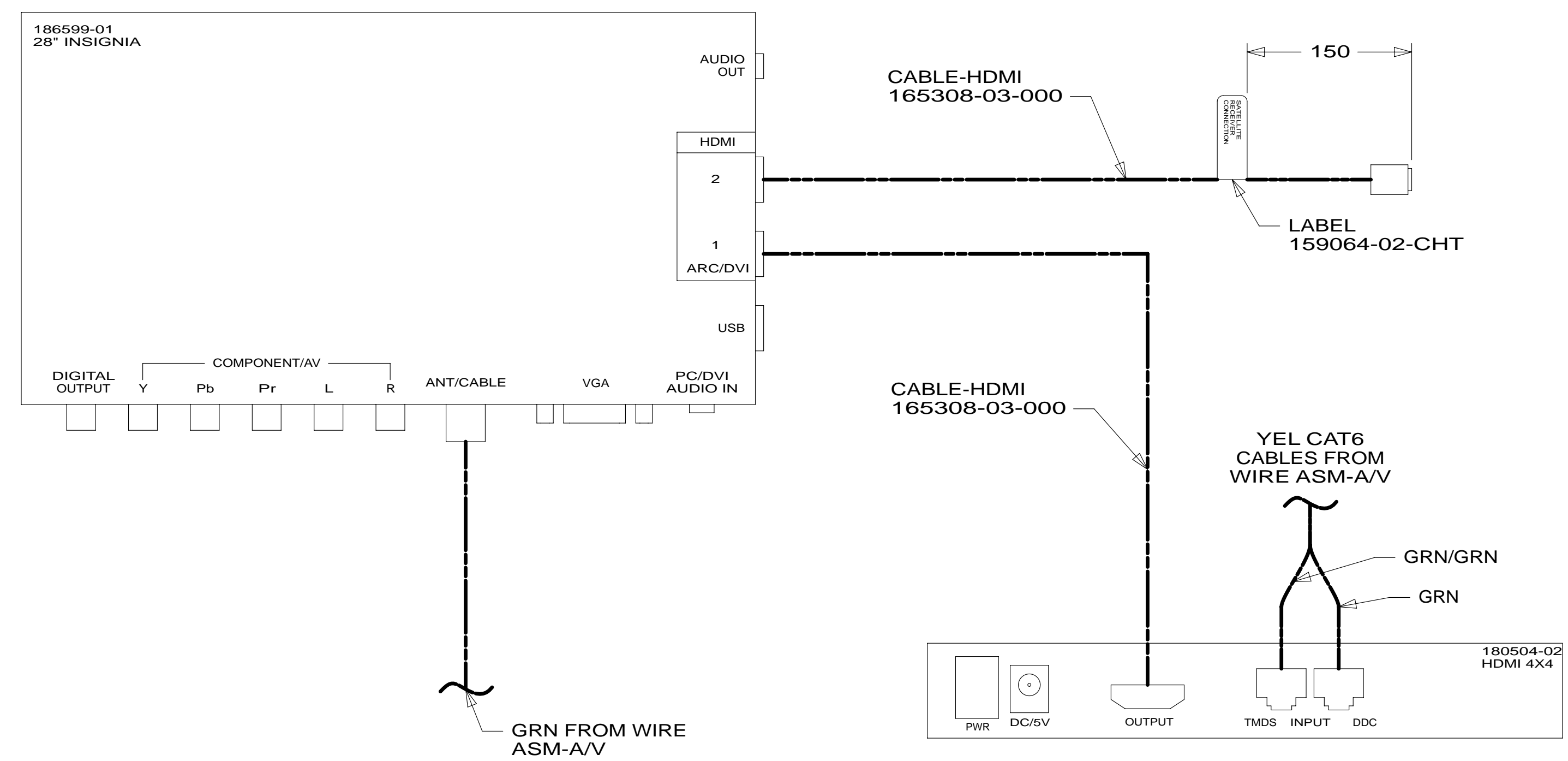
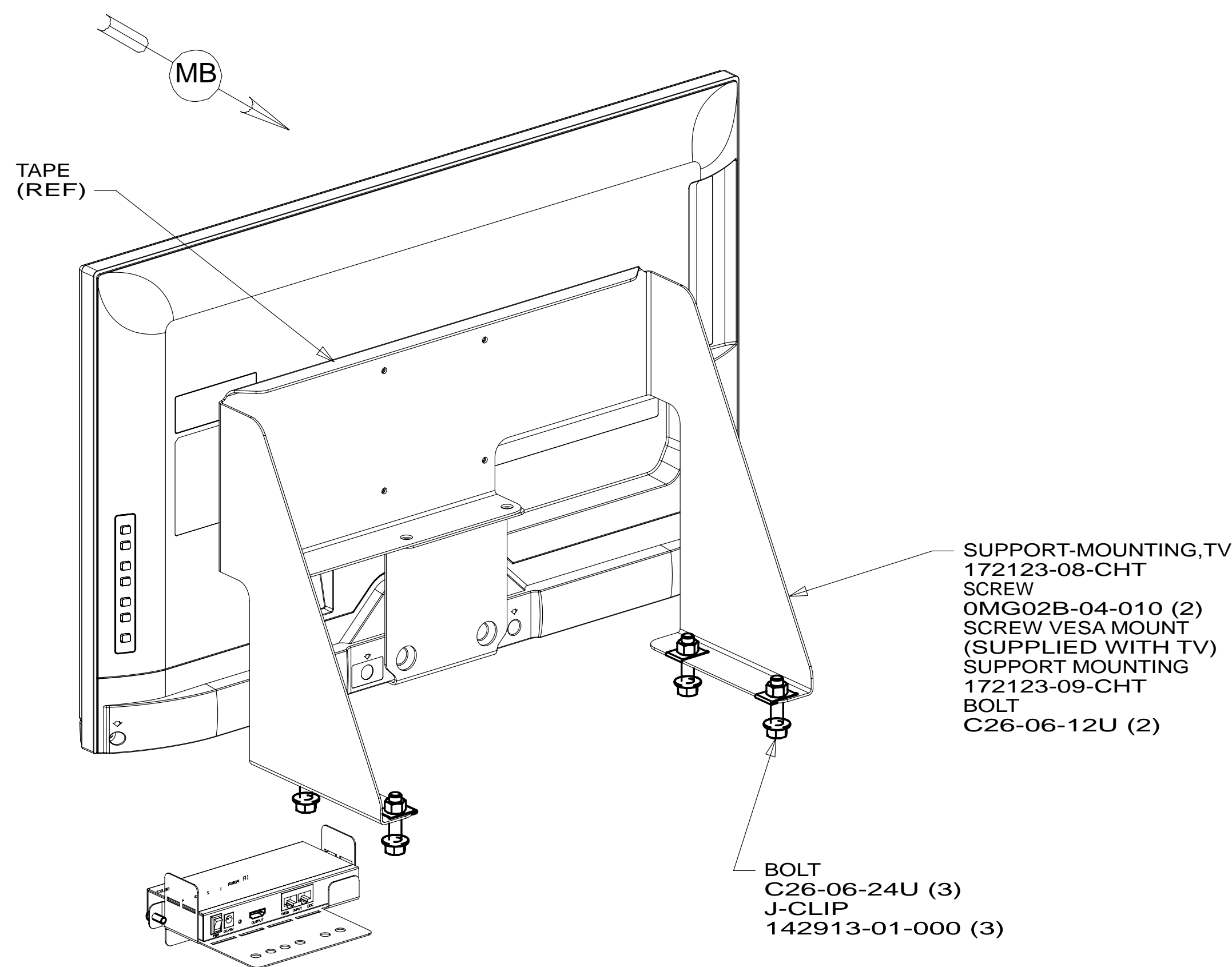
FOR ELECTRICAL TORQUE SPECIFICATIONS SEE DWG NO. 128783-01-000

X-X FOR ELECTRICAL SPECIFICATIONS SEE DWG NO. 121339-01-000

- 10N TV (REAR)-24"COLOR, STEREO
- 265 CODES/STANDARDS-CSA/CMVSS
- 1B1 CODES/STANDARDS USA

1B1	265	10N
<b>14 J-SERIES</b>		
DO NOT SCALE DRAWING		
TITLE: <b>WIRING INSTL-TV/DVD</b>		
SHEET 11	PART NO <b>184625</b>	REV

\* 184625 \* A



1 CLEAN AND APPLY ADHESIVE PROMOTER 87211-01-000 TO BOTH SURFACES AND BOND WHERE TOP FLANGE OF BRACKET CONTACTS PLASTIC TV BEZEL.

FOR ELECTRICAL TORQUE SPECIFICATIONS SEE DWG NO. 128783-01-000

FOR ELECTRICAL CALLOUTS SEE DWG NO. 121339-01-000

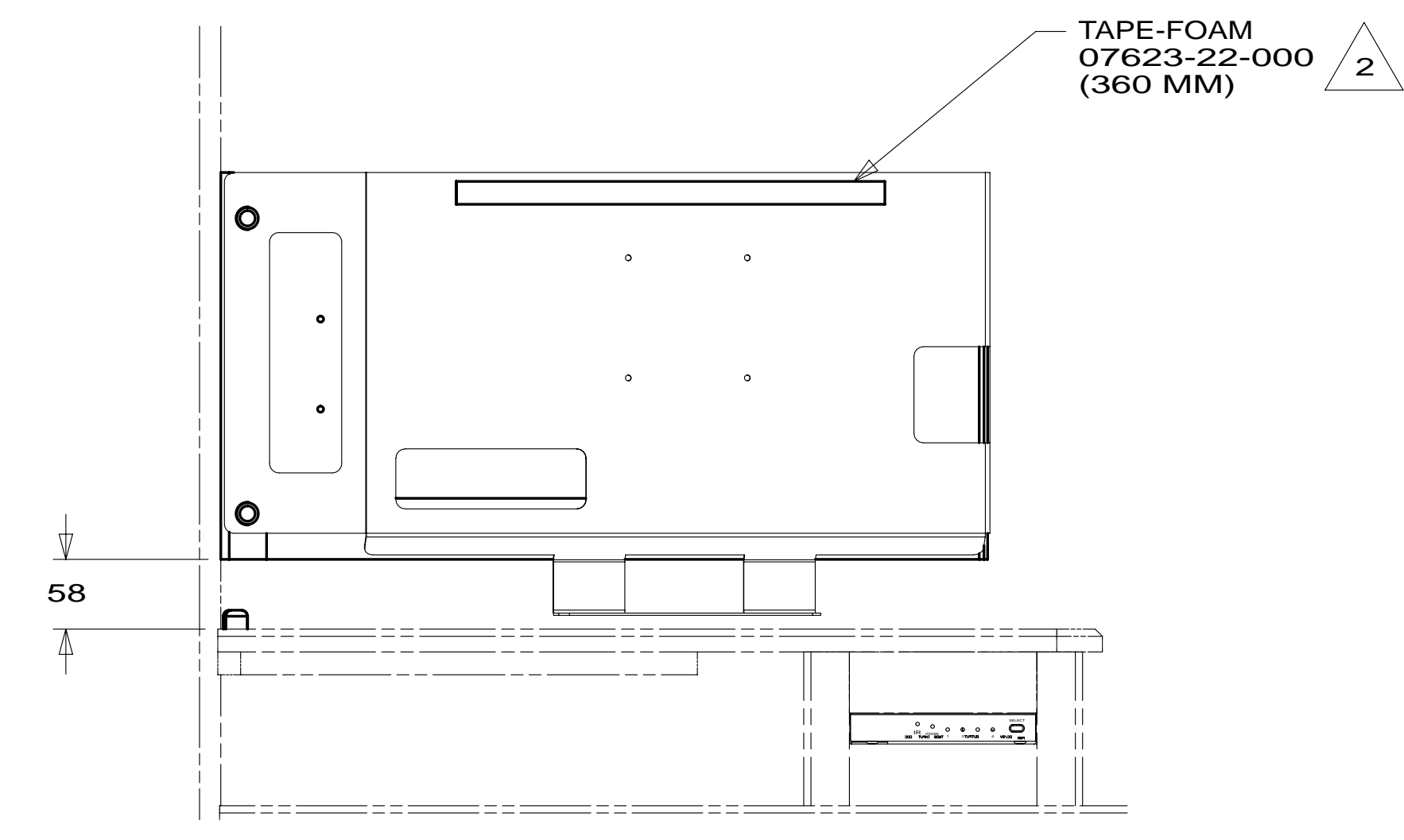
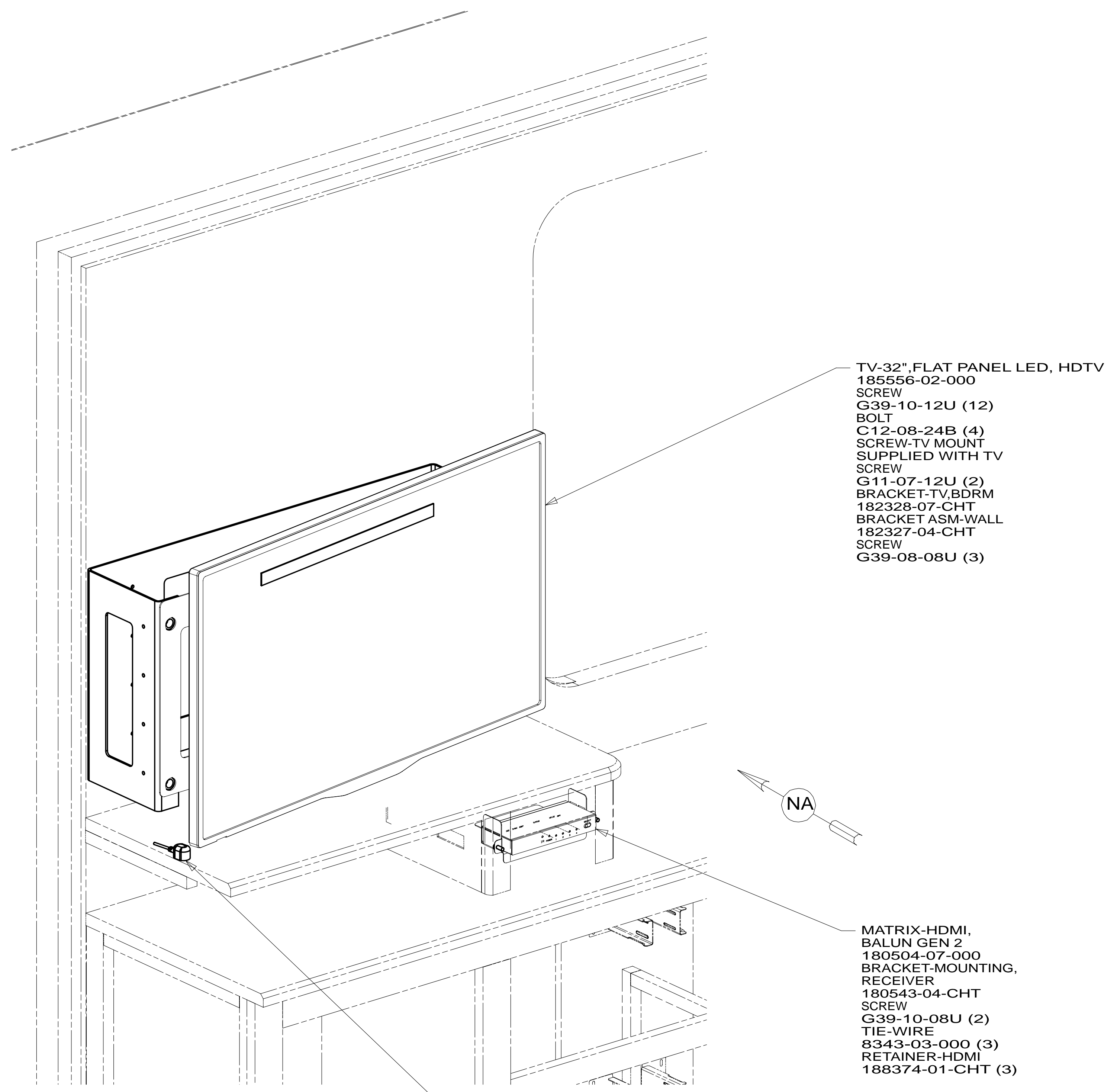
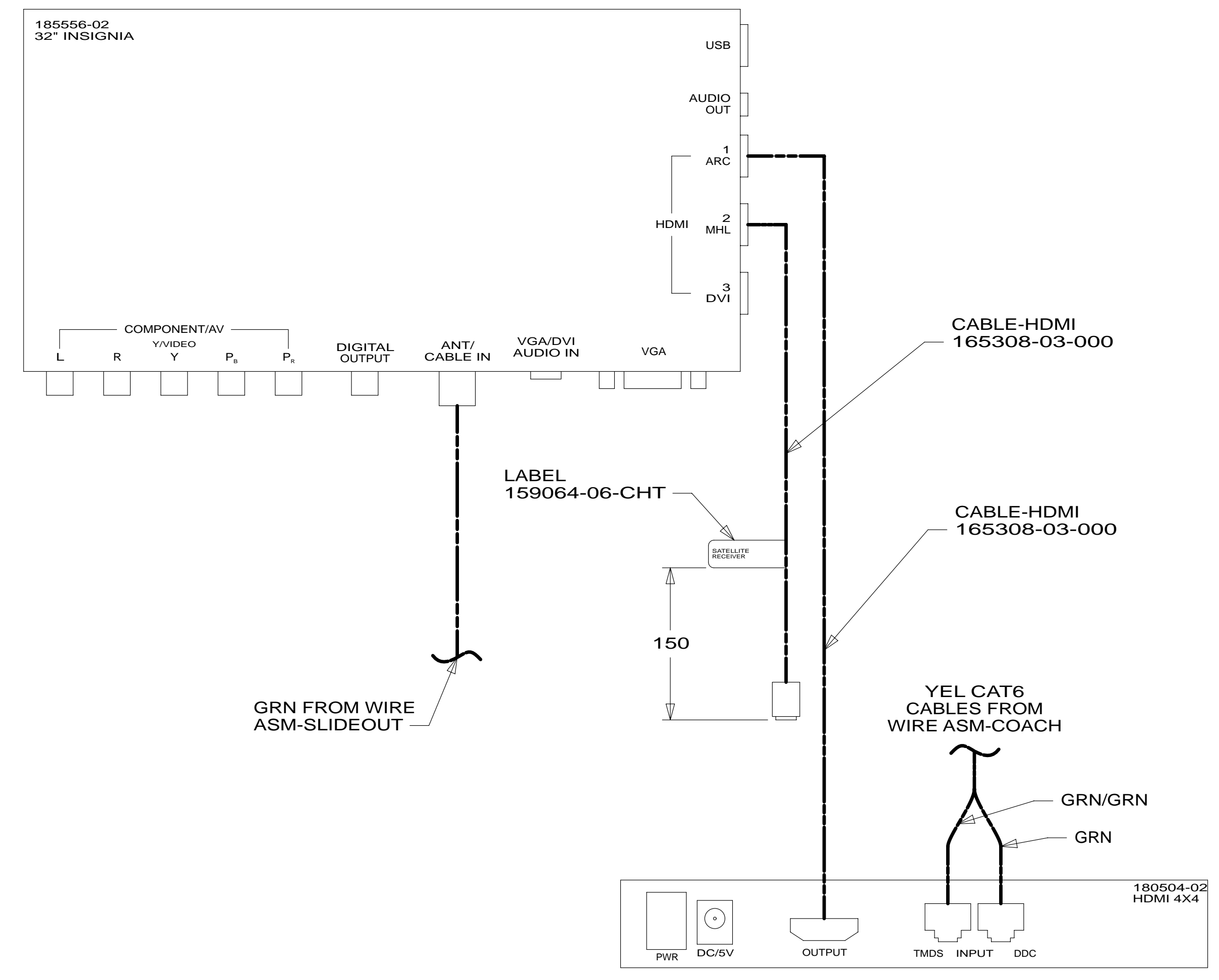
- 61M TV(REAR)-28" COLOR STEREO
- 265 CODES/STANDARDS-CSA/CMVSS
- 1B1 CODES/STANDARDS USA

1B1 265 61M

FIRST USED	
<b>14 J-SERIES</b>	
DO NOT SCALE DRAWING	
TITLE: <b>WIRING INSTL-TV/DVD</b>	
SHEET 12	PART NO <b>184625</b> REV

\* 184625 \* A





TV-32",FLAT PANEL LED, HDTV  
 185556-02-000  
 SCREW  
 G39-10-12U (12)  
 BOLT  
 C12-08-24B (4)  
 SCREW-TV MOUNT  
 SUPPLIED WITH TV  
 SCREW  
 G11-07-12U (2)  
 BRACKET-TV,BDRM  
 182328-07-CHT  
 BRACKET ASM-WALL  
 182327-04-CHT  
 SCREW  
 G39-08-08U (3)

MATRIX-HDMI,  
 BALUN GEN 2  
 180504-07-000  
 BRACKET-MOUNTING,  
 RECEIVER  
 180543-04-CHT  
 SCREW  
 G39-10-08U (2)  
 TIE-WIRE  
 8343-03-000 (3)  
 RETAINER-HDMI  
 188374-01-CHT (3)

MATRIX-HDMI,  
 IR REC GEN 2  
 180504-09-000

NOTES:  
 2 PREP SURFACE WITH 87211-01-000.  
 1 MOUNT IR RECEIVER TO COUNTERTOP BEHIND TV FACE.

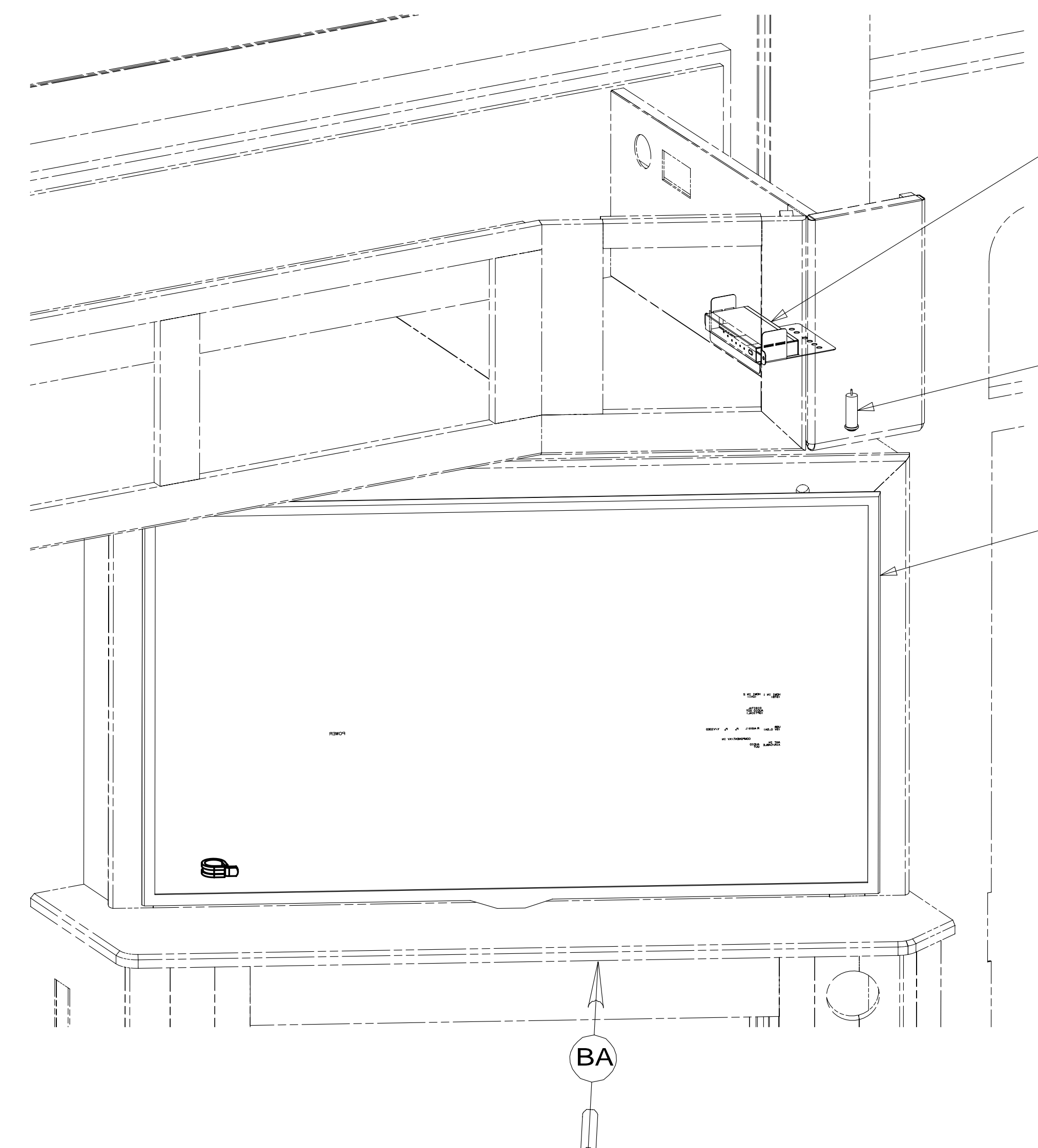
FOR ELECTRICAL  
 TORQUE  
 SPECIFICATIONS  
 SEE DWG NO.  
 128783-01-000

FOR ELECTRICAL  
 CALLOUTS  
 SEE DWG NO.  
 121339-01-000

- 195 TV(REAR)-32" COLOR STEREO
- 265 CODES/STANDARDS-CSA/CMVSS
- 1B1 CODES/STANDARDS USA

1B1	265	195
FIRST USED		
<b>14 J-SERIES</b>		
DO NOT SCALE DRAWING		
TITLE: <b>WIRING INSTL-TV/DVD</b>		
SHEET 13	PART NO <b>184625</b>	REV
22-Apr-2014		

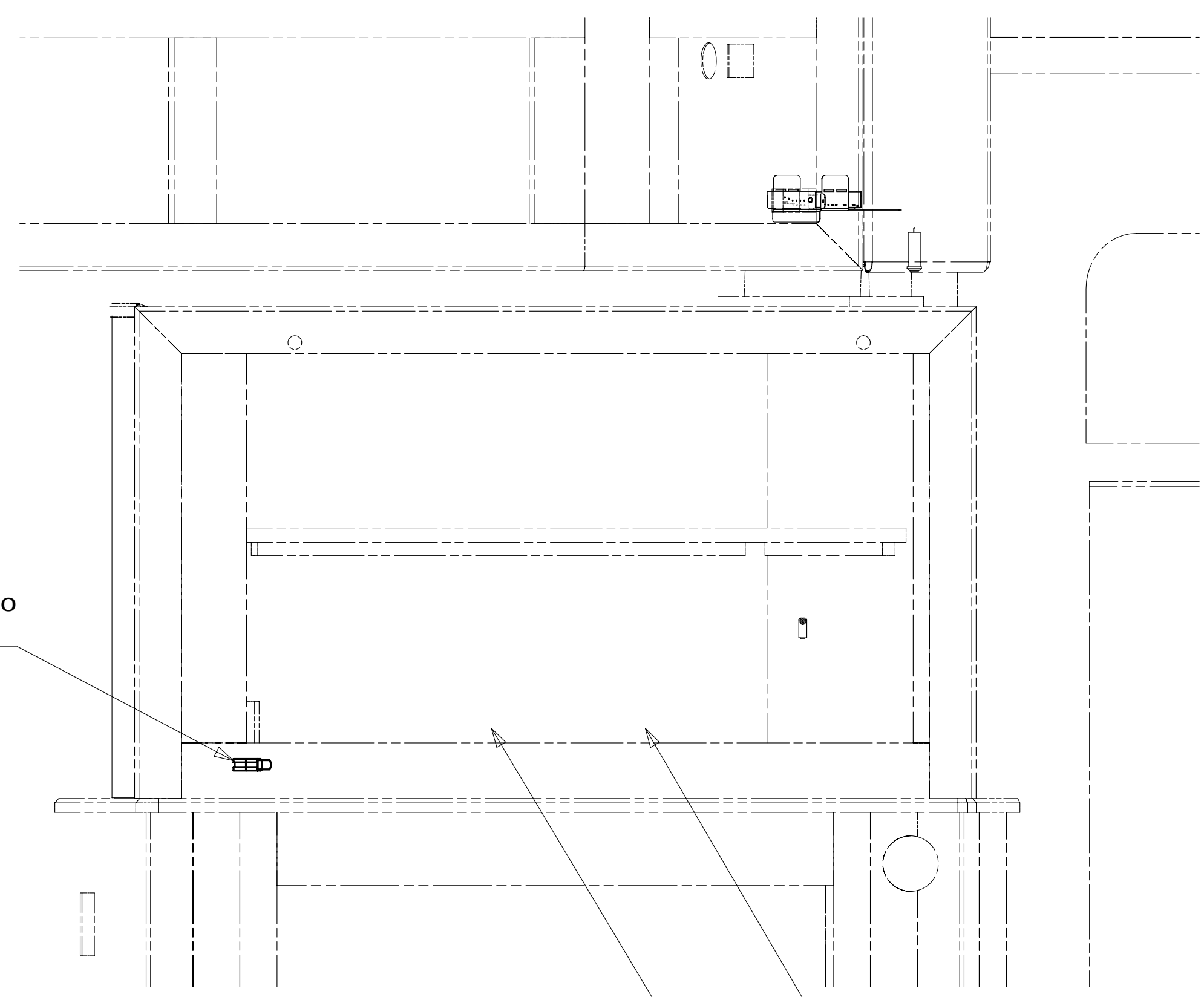
\* 184625 \* A



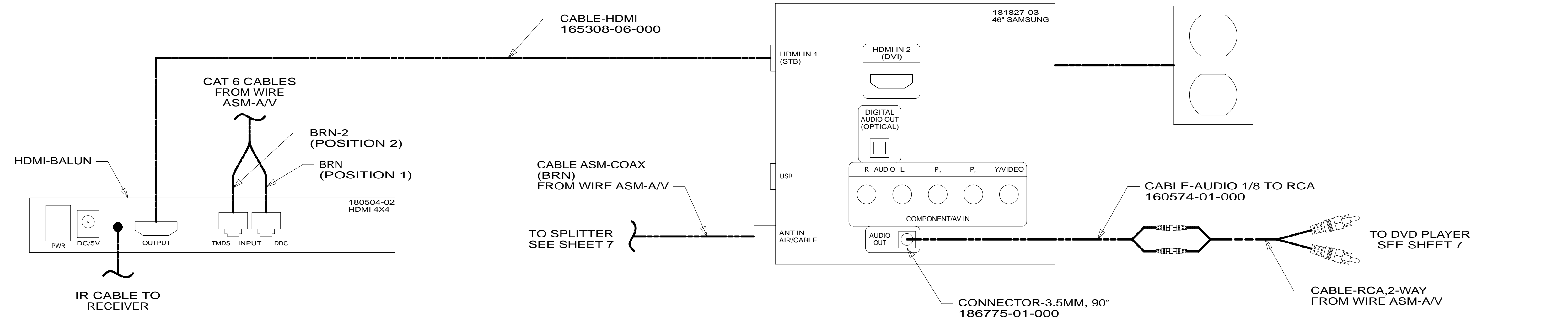
MATRIX-HDMI, BALUN GEN 2  
180504-07-000  
BRACKET  
180543-01-CHT  
SCREW  
G11-08-12U (2)  
RETAINER-HDMI  
188374-01-CHT (3)

MATRIX-HDMI, IR REC IN-WALL  
180504-08-000

TV-46", FLAT PANEL LCD, HDTV  
181827-03-000  
BOLT  
OMC31U-08-025 (4)  
WASHER  
E11-08-00U (4)  
BRACKET  
(SEE FLOOR PLAN-CABT & APPLIANCE)



VIEW BA  
(TV NOT SHOWN)



VIEW BB

1 CLEAN AND APPLY ADHESIVE PROMOTER 87211-01-000 TO BOTH SURFACES AND BOND WHERE TOP FLANGE OF BRACKET CONTACTS PLASTIC TV BEZEL.

FOR ELECTRICAL TORQUE SPECIFICATIONS SEE DWG NO. 128783-01-000

FOR ELECTRICAL CALLOUTS SEE DWG NO. 121339-01-000

265 CODES/STANDARDS-CSA/CMVSS  
1B1 CODES/STANDARDS USA

1B1 265

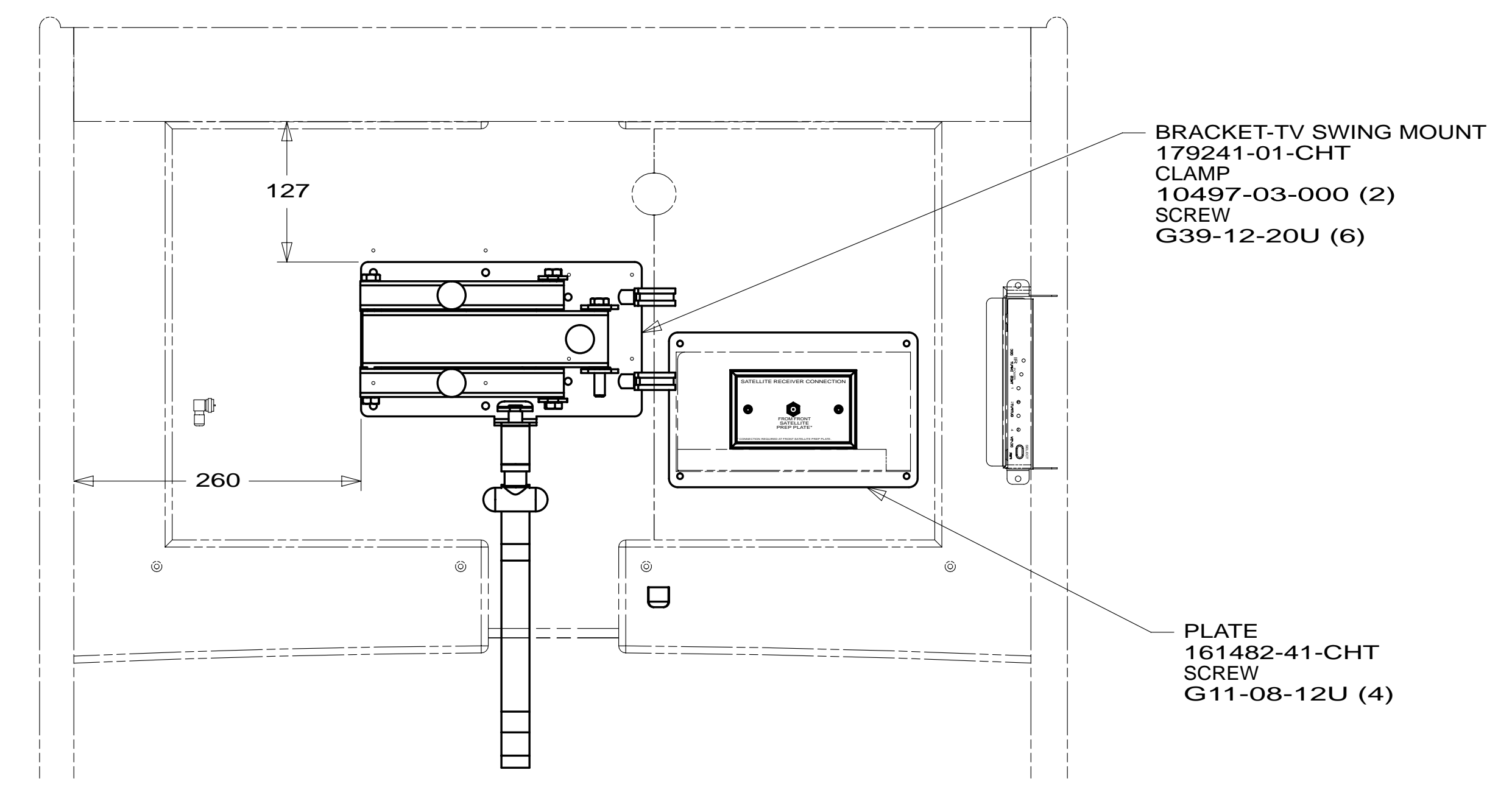
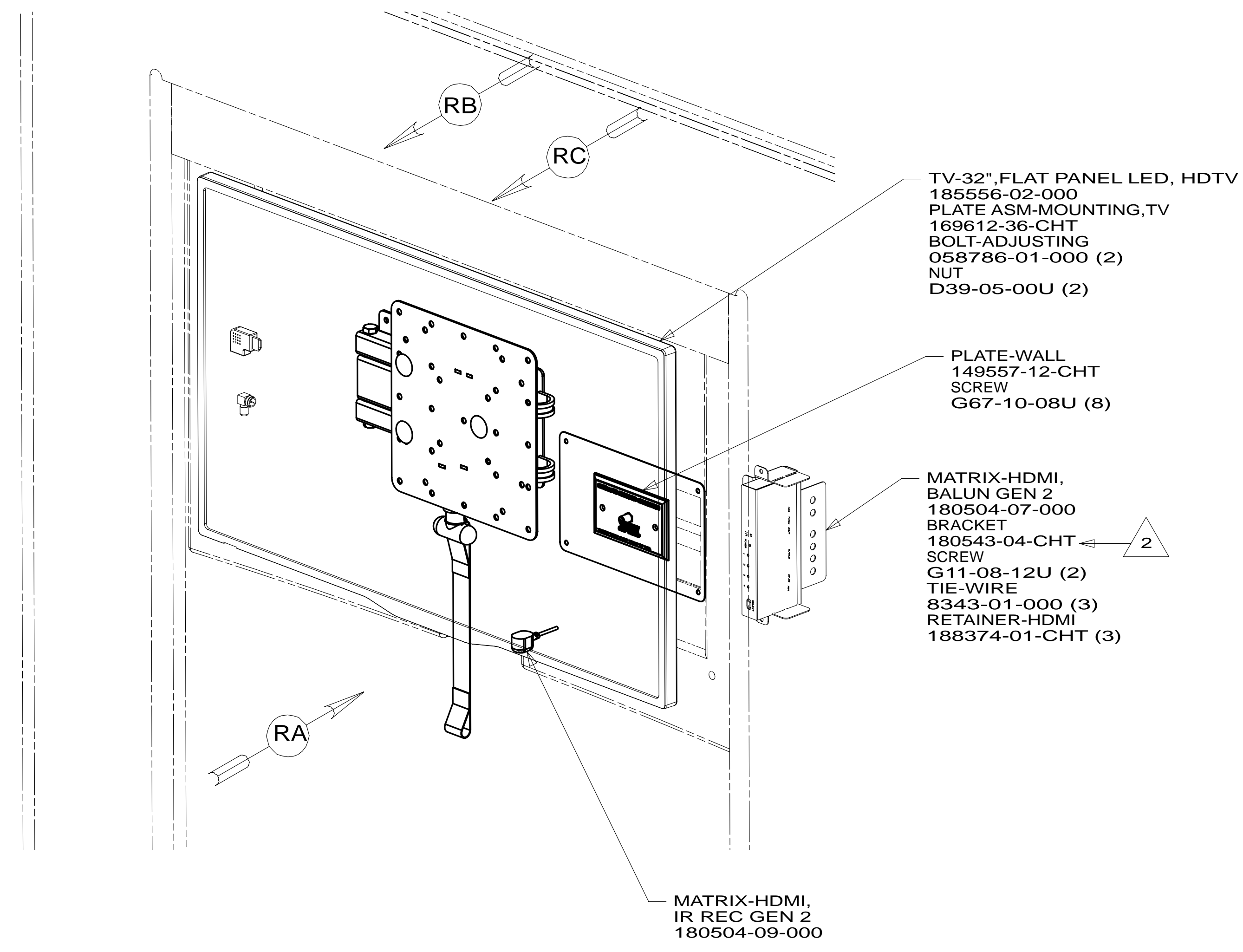
FIRST USED **14 J-SERIES**

DO NOT SCALE DRAWING

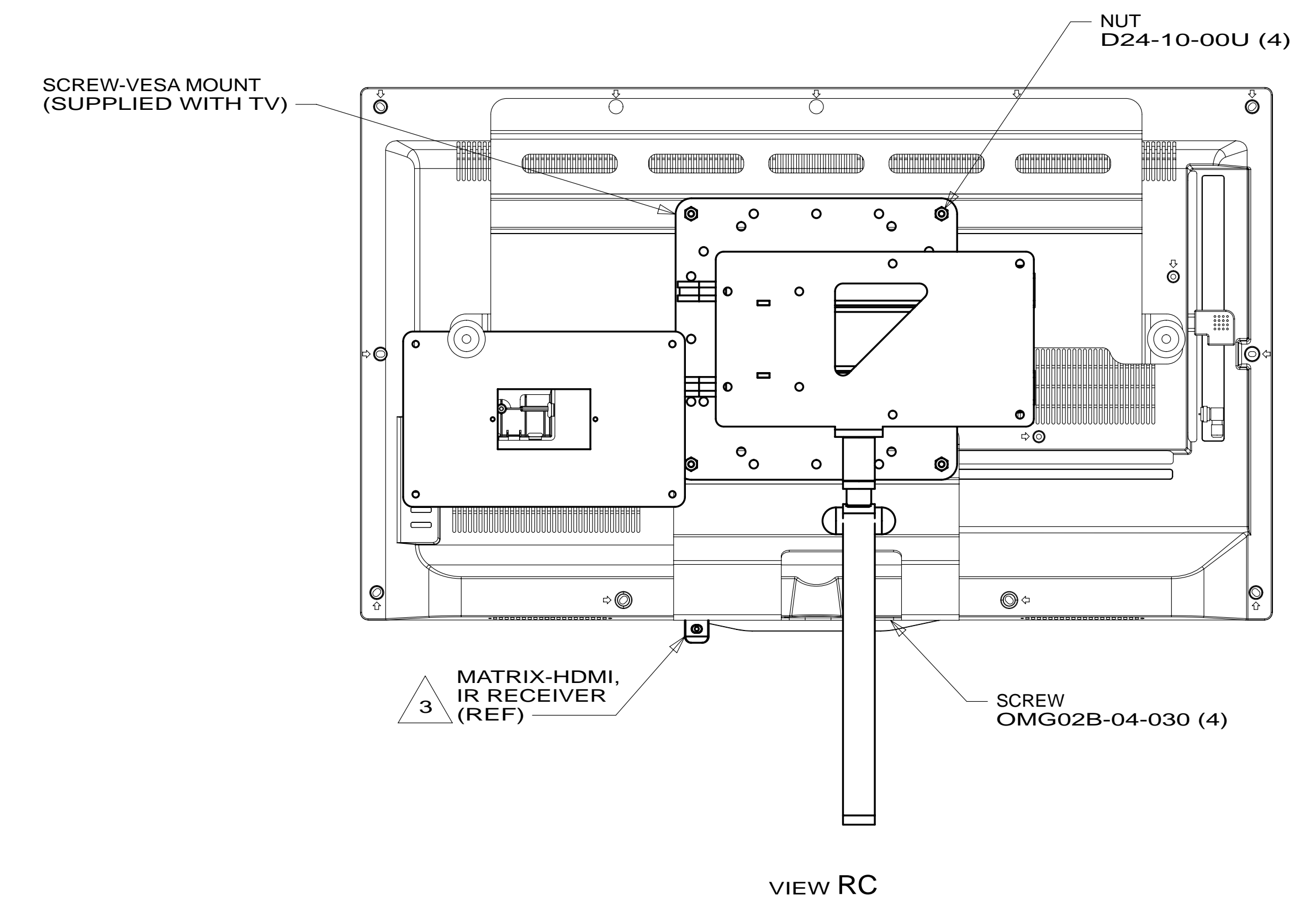
TITLE: **WIRING INSTL-TV/DVD**

SHEET 14 PART NO **184625** REV

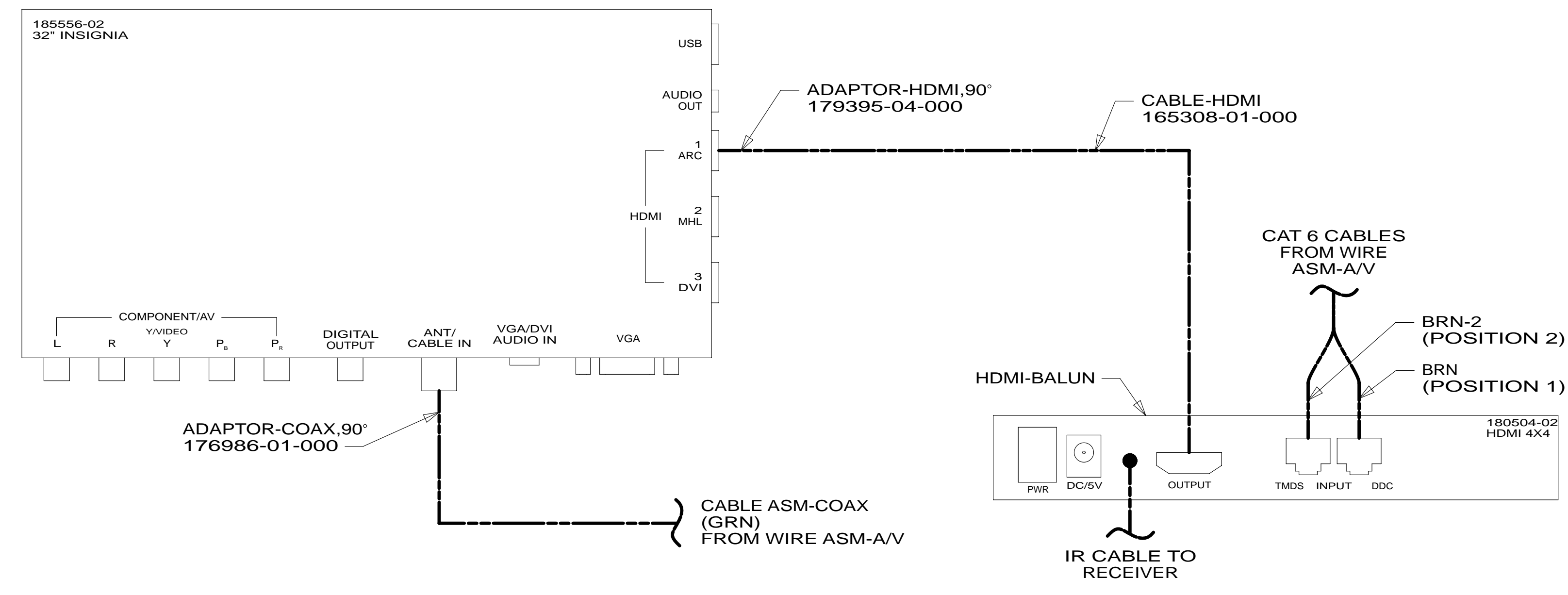
\* 184625 \* A



VIEW RA  
(TV NOT SHOWN)



VIEW RC



VIEW RB

- NOTES:
- 3 CLEAN AND APPLY ADHESIVE PROMOTER 87211-01-000 TO BONDING SURFACE.
  - 2 BEND BRACKET & ATTACH WIRES TO CLEAR BACK OF CABINET.
  - 1 SWING ARM HOLES NEED TO BE DRILLED OUT TO CLEAR TV BOLTS.

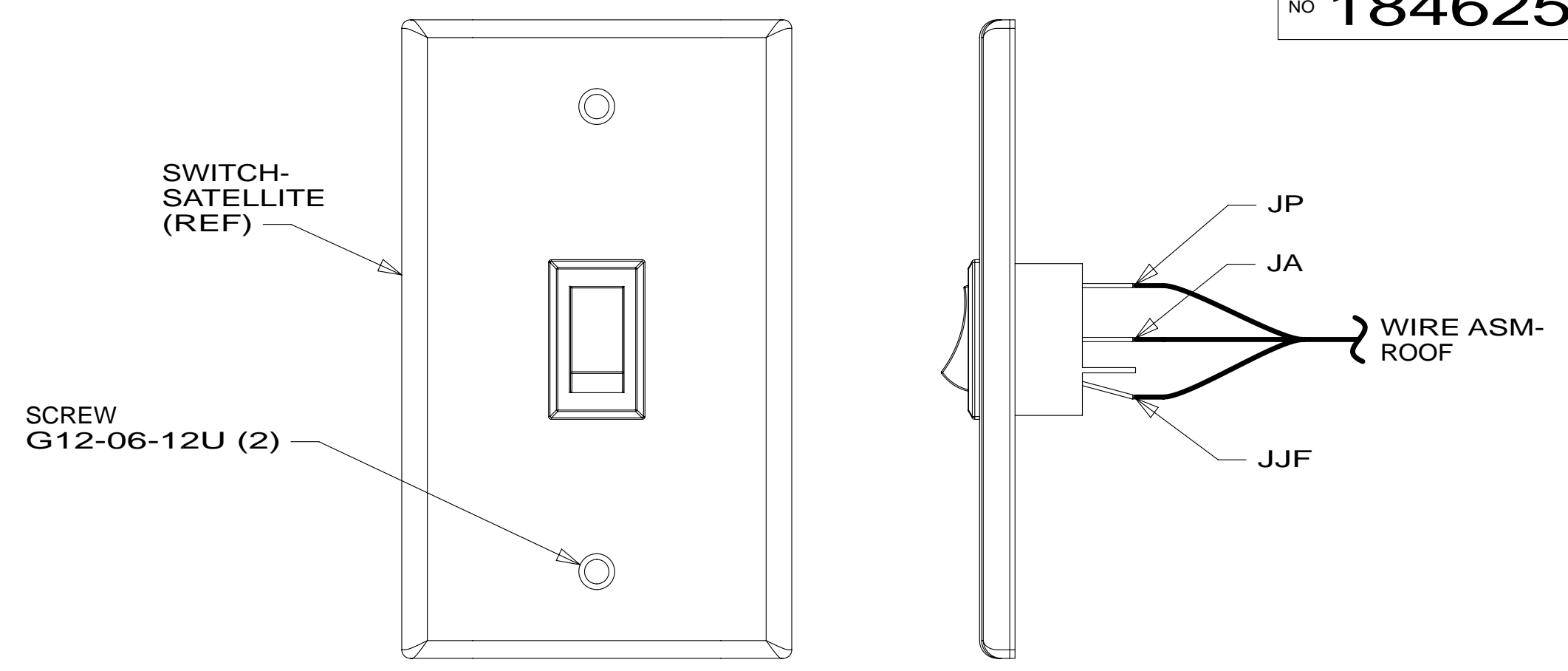
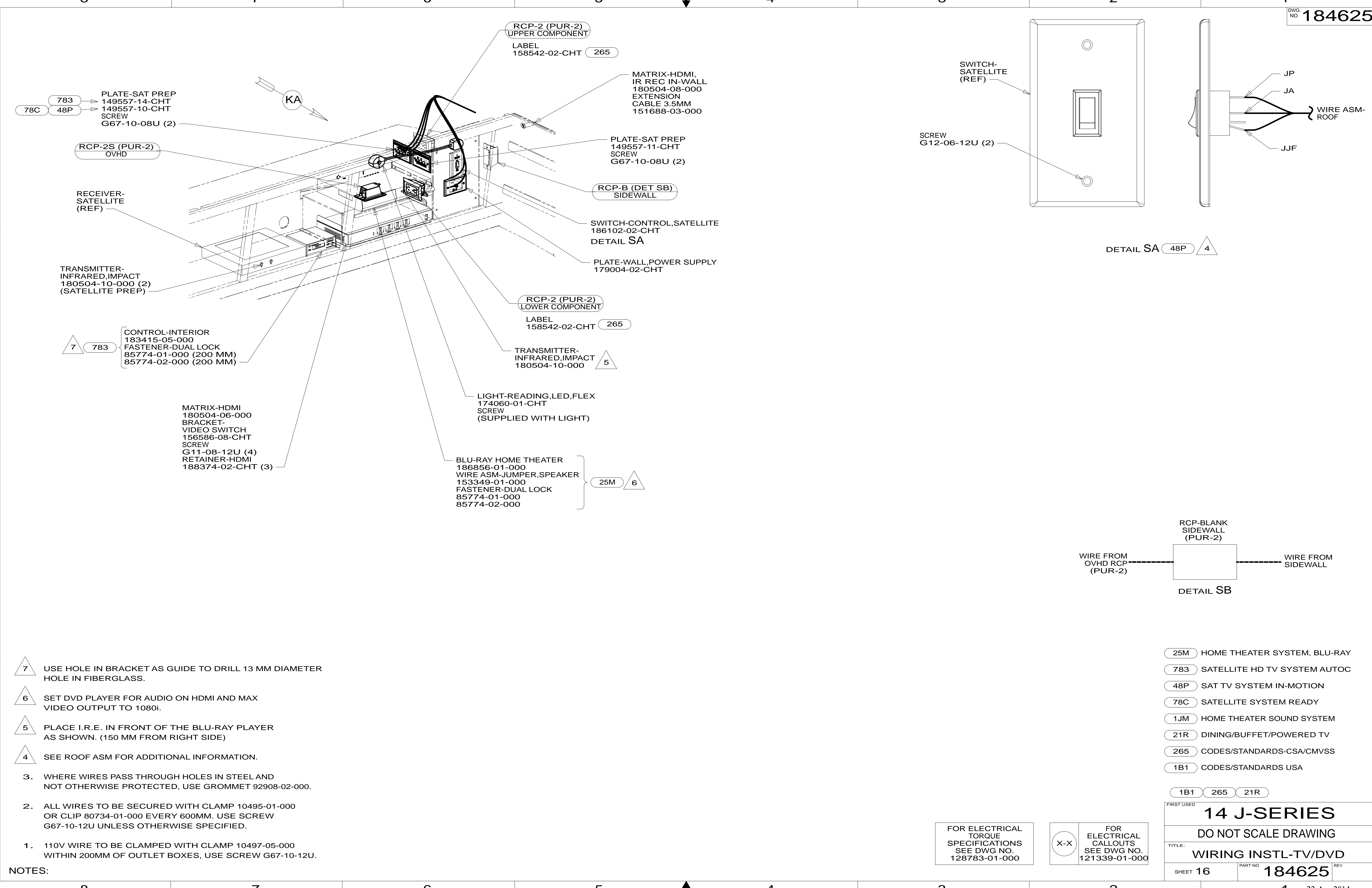
FOR ELECTRICAL TORQUE SPECIFICATIONS SEE DWG NO. 128783-01-000

FOR ELECTRICAL CALLOUTS SEE DWG NO. 121339-01-000

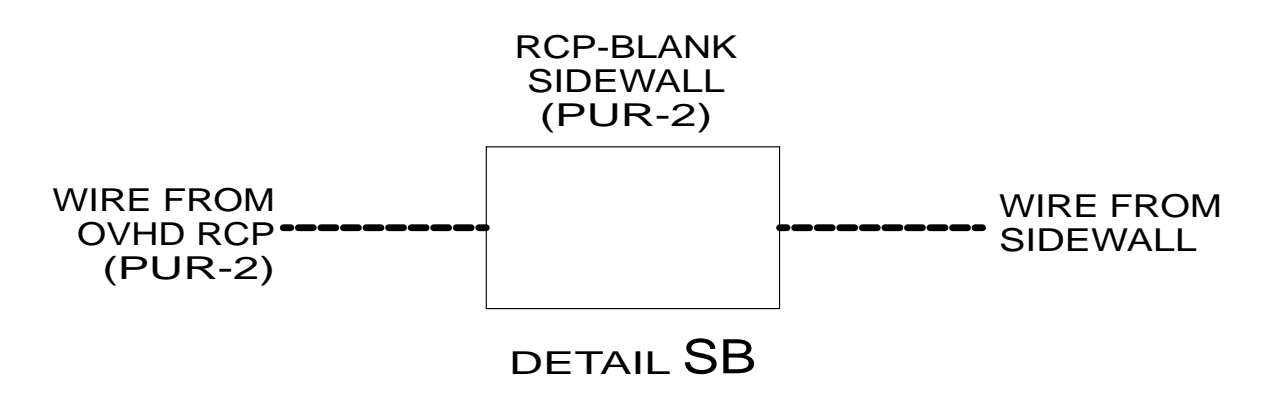
265	CODES/STANDARDS-CSA/CMVSS
1B1	CODES/STANDARDS USA
1B1	265

FIRST USED	
<b>14 J-SERIES</b>	
DO NOT SCALE DRAWING	
TITLE: <b>WIRING INSTL-TV/DVD</b>	
SHEET 15	PART NO <b>184625</b> REV

\* 184625 \*



DETAIL SA 48P 4



DETAIL SB

- NOTES:**
- 7 USE HOLE IN BRACKET AS GUIDE TO DRILL 13 MM DIAMETER HOLE IN FIBERGLASS.
  - 6 SET DVD PLAYER FOR AUDIO ON HDMI AND MAX VIDEO OUTPUT TO 1080i.
  - 5 PLACE I.R.E. IN FRONT OF THE BLU-RAY PLAYER AS SHOWN. (150 MM FROM RIGHT SIDE)
  - 4 SEE ROOF ASM FOR ADDITIONAL INFORMATION.
  - 3. WHERE WIRES PASS THROUGH HOLES IN STEEL AND NOT OTHERWISE PROTECTED, USE GROMMET 92908-02-000.
  - 2. ALL WIRES TO BE SECURED WITH CLAMP 10495-01-000 OR CLIP 80734-01-000 EVERY 600MM. USE SCREW G67-10-12U UNLESS OTHERWISE SPECIFIED.
  - 1. 110V WIRE TO BE CLAMPED WITH CLAMP 10497-05-000 WITHIN 200MM OF OUTLET BOXES, USE SCREW G67-10-12U.

- 25M HOME THEATER SYSTEM, BLU-RAY
- 783 SATELLITE HD TV SYSTEM AUTOC
- 48P SAT TV SYSTEM IN-MOTION
- 78C SATELLITE SYSTEM READY
- 1JM HOME THEATER SOUND SYSTEM
- 21R DINING/BUFFET/POWERED TV
- 265 CODES/STANDARDS-CSA/CMVSS
- 1B1 CODES/STANDARDS USA

FIRST USED		
<b>14 J-SERIES</b>		
DO NOT SCALE DRAWING		
TITLE: <b>WIRING INSTL-TV/DVD</b>		
SHEET 16	PART NO <b>184625</b>	REV
22-Apr-2014		

FOR ELECTRICAL TORQUE SPECIFICATIONS SEE DWG NO. 128783-01-000

FOR ELECTRICAL CALLOUTS SEE DWG NO. 121339-01-000

\* 184625 \* A