



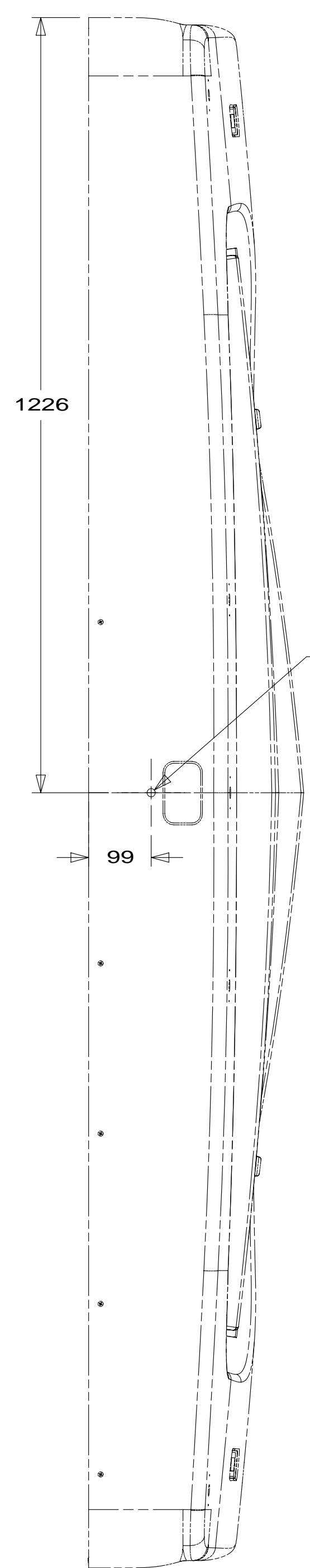
DANGER

Danger of electrical shock, burns or death. Always remove all power sources before attempting any repair, service or diagnostic work. Power can be present from shore power, generator, inverter or battery. All power sources must be disabled and secured before performing any service.

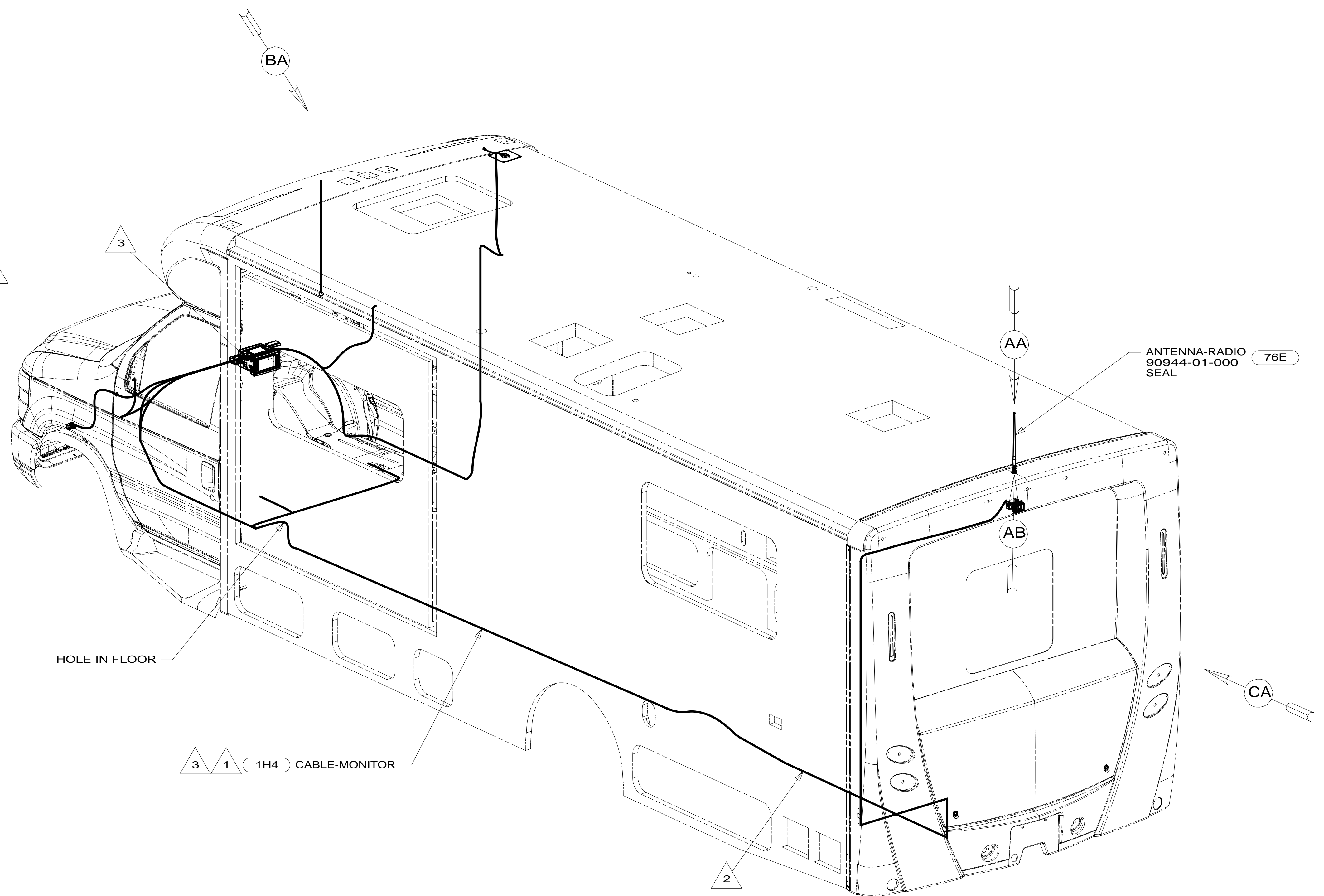


CAUTION

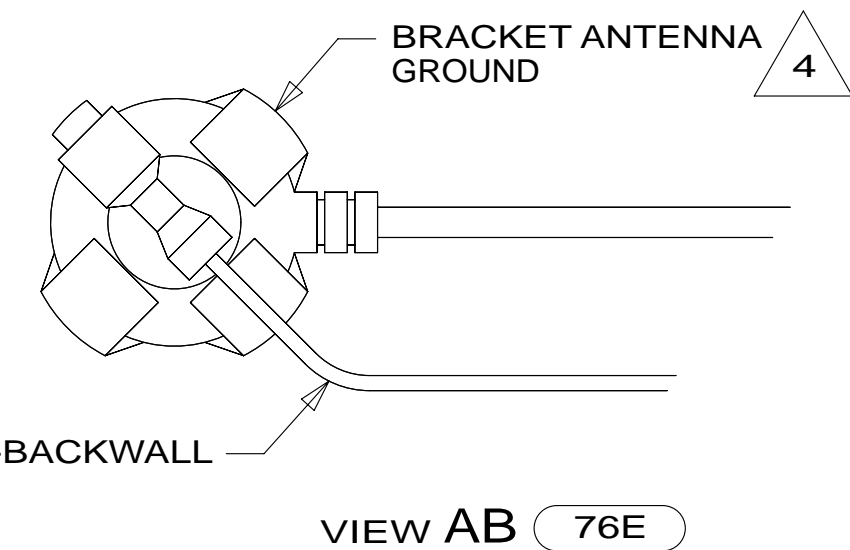
If you lack the skills, tools or equipment to perform diagnostic or repair work leave such work to an authorized Winnebago Industries dealer or other qualified shop.



VIEW AA
(ANTENNA NOT SHOWN) 76E



- NOTES:
- 5 DRILL 13MM HOLE AT LOCATION SHOWN.
 - 4 WRAP BRACKET LEGS AROUND ANTENNA BASE.
 - 3 ROUTE CABLE TO DASH RADIO.
 - 2 WIRING IS ROUTED DIFFERENTLY FOR EACH UNIT FROM THIS POINT REARWARD.
 - 1 ROUTE REAR MONITOR CAMERA CABLE WITH WIRE ASM-CHASSIS WHICH RUNS ALONG LEFT FRAME RAIL.



VIEW AB 76E

- 76E EXT ENTERTAINMENT SYSTEM
- 1H4 REARVIEW MONITOR-WIRE PREP
- 265 CODES/STANDARDS-CSA/CMVSS
- 1B1 CODES/STANDARDS USA

WINNEBAGO		COPYRIGHT 2014 WINNEBAGO INDUSTRIES, INC.	
DFT-ORIG	ORIG. DATE	ALL DIMENSIONS ARE IN MILLIMETERS	
CHKR		FIRST USED	
P.E.		14 700-SERIES	
M.E.		UNSPECIFIED TOLERANCES ARE:	
DSNR		WHOLE DIM (X)	: 3
		ONE-PLACE (X.X)	: 1.5
		TWO-PLACE (X.XX)	: 0.50
		ANGLE	: 1°
		THIRD ANGLE PROJECTION	
DO NOT SCALE DRAWING		REFER TO ES0018 FOR FASTENER TIGHTENING GUIDELINES	
TITLE: RADIO/MONITOR INSTL			
SHEET 1 OF 6	PART NO	184525	REV
REF:	1	21-Aug-2014	

FOR ELECTRICAL
TORQUE
SPECIFICATIONS
SEE DWG NO.
128783-01-000

FOR
ELECTRICAL
CALLOUTS
SEE DWG NO.
121339-01-000

* 184525 * A

ANTENNA-SATELLITE RADIO
181908-02-000
PLATE-SATELLITE RADIO
177256-03-CHT
SCREW
G11-08-08U (4)
SEAL

RADIO-INFOTAINMENT,6",GPS
190062-01-000
REMOTE-NAVIGATION/RADIO
176654-04-000
KIT-RADIO INSTALL, FORD
183821-05-000
RADIO-AM/FM/DVD, TOUCH, 2-DIN
183820-14-000
183820-15-000
KIT-RADIO INSTALL, FORD 2DIN
183821-01-000

WIRE ASM-MONITOR 15'
(REF)

SWITCH-VIDEO CAMERA
180731-05-000
SWITCH-VIDEO CAMERA
180731-07-000

SENSOR-TEMPERATURE
176654-13-000
BRACKET-ZEE,TEMP SENSOR
147428-01-CHT
SCREW
G39-08-12U (2)

- 9 WITHOUT 70C
- 8 DRILL 13 MM HOLE AND RUN WIRE THROUGH GROMMET AND HOLE. INSERT GROMMET INTO HOLE AND RUN WIRE TO BACK OF RADIO AND CONNECT TO RADIO.
- 7 USE SCREWS SUPPLIED W/RADIO TO ATTACH RADIO TO MOUNTING KIT, 3 EACH SIDE.
- 6 ROUTE ANTENNA CABLE FROM UNDER PASSENGER'S SEAT UP B-POST, INTO WINGWALL, UP THROUGH ENTERTAINMENT CENTER BEHIND SPEAKER, ROUTE CABLE THROUGH ROUTED PATH IN ROOF ASM.
- 5 USE SPACERS (4) PROVIDED WITH RADIO MOUNTING BRACKET AT 4 DASH MOUNT POINTS.
- 4 MOUNT ANTENNA SUCH THAT BASE IS SQUARE WITH ROOF AND HOLE IS DIRECTLY OVER HOLE IN ROOF. SEAL BOTH THE HOLE IN THE ROOF AND ANTENNA BASE AT SCREWS.
- 3 RECEIVER CABLE SUPPLIED WITH RECEIVER.
- 2 ROUTE RECEIVER CABLE ALONG WITH CHASSIS HARNESS TO BATTERY BOOST SWITCH, CONTINUE RECEIVER CABLE TO DASH RADIO.
- 1 SUPPLIED WITH CHASSIS. USE SHORTEST ANTENNA.

- 70C RADIO - SATELLITE
- 15D INFOTAINMENT CENTER/GPS
- 74C VIDEO CAMERA SYSTEM
- 19R RADIO/REARVIEW MONITOR SYS
- 265 CODES/STANDARDS-CSA/CMVSS
- 1B1 CODES/STANDARDS USA

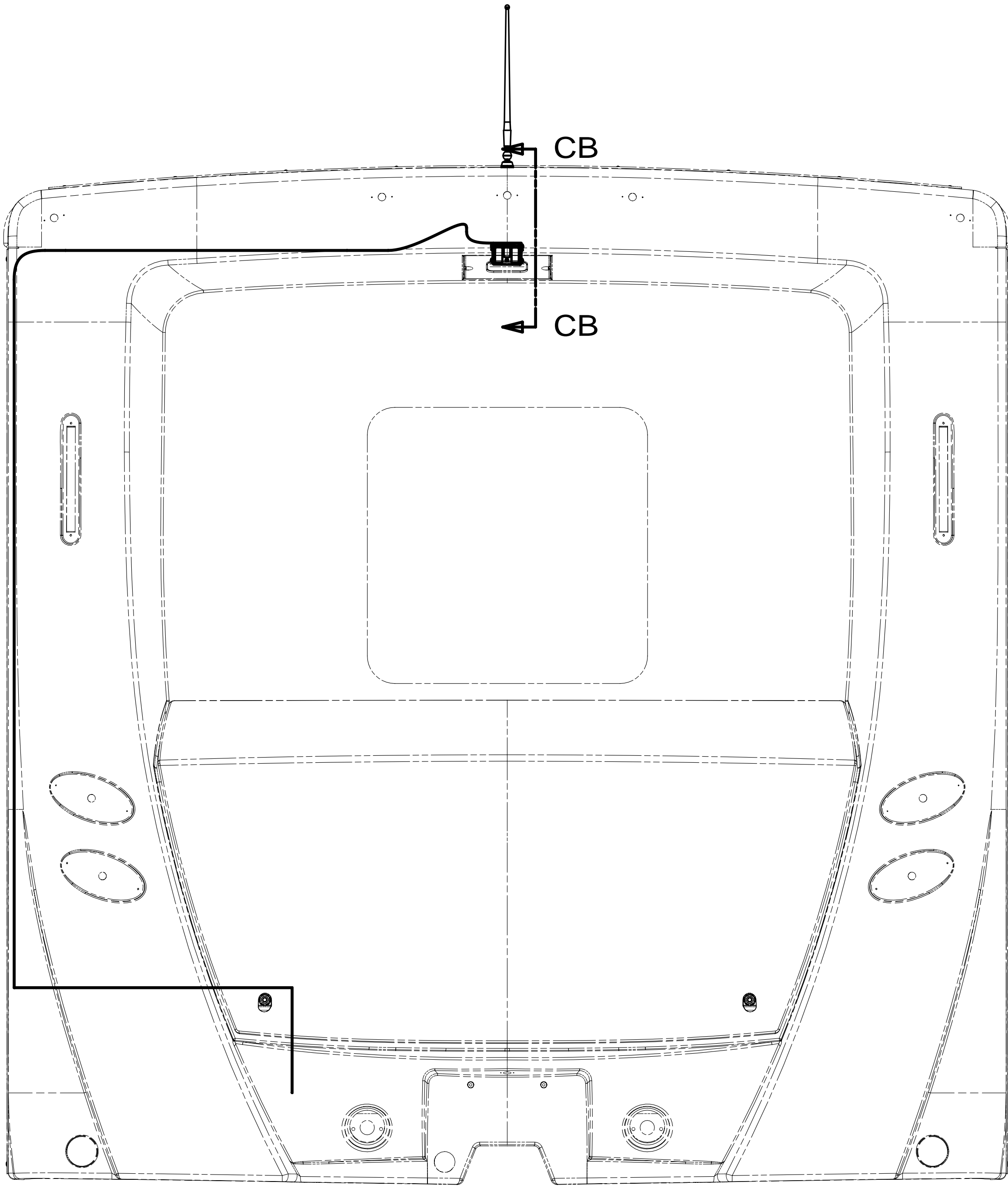
FIRST USED	
14 700-SERIES	
DO NOT SCALE DRAWING	
TITLE: RADIO/MONITOR INSTL	
SHEET 2	PART NO 184525 REV

FOR ELECTRICAL TORQUE SPECIFICATIONS SEE DWG NO. 128783-01-000

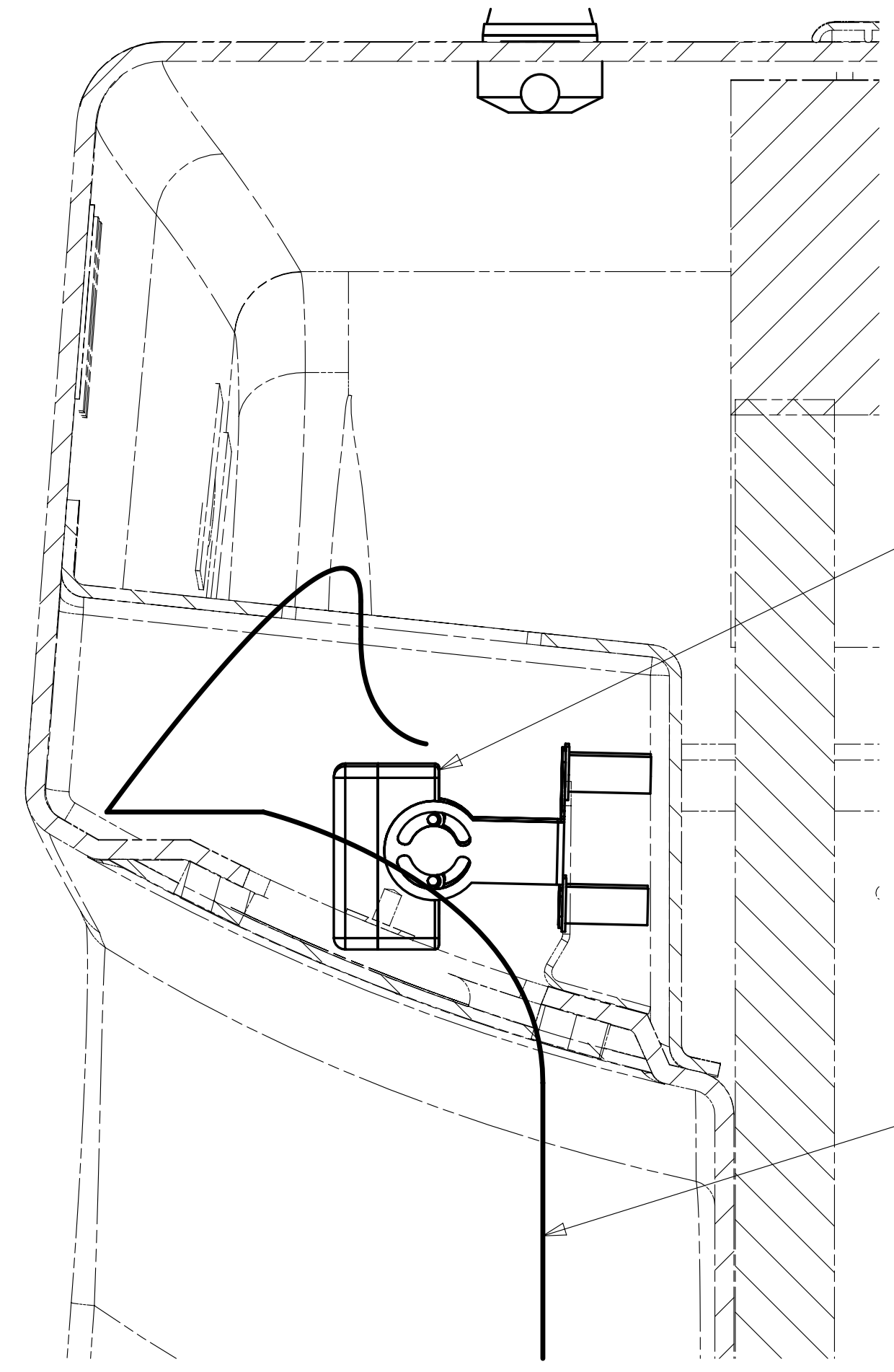
FOR ELECTRICAL CALLOUTS SEE DWG NO. 121339-01-000

VIEW BA

* 184525 *



VIEW CA



SECTION CB-CB 1

CAMERA-REAR, COLOR, W/BACKET, 183822-01-000 } 19R OR 70C
 CAMERA-REAR, COLOR, CMOS, 176654-17-CHT } 15D

CABLE-MONITOR/ CAMERA (REF)

- 70C RADIO - SATELLITE
- 15D INFOTAINMENT CENTER/GPS
- 19R RADIO/REARVIEW MONITOR SYS
- 265 CODES/STANDARDS-CSA/CMVSS
- 1B1 CODES/STANDARDS USA

1B1 265

FIRST USED
14 700-SERIES

DO NOT SCALE DRAWING

TITLE: **RADIO/MONITOR INSTL**

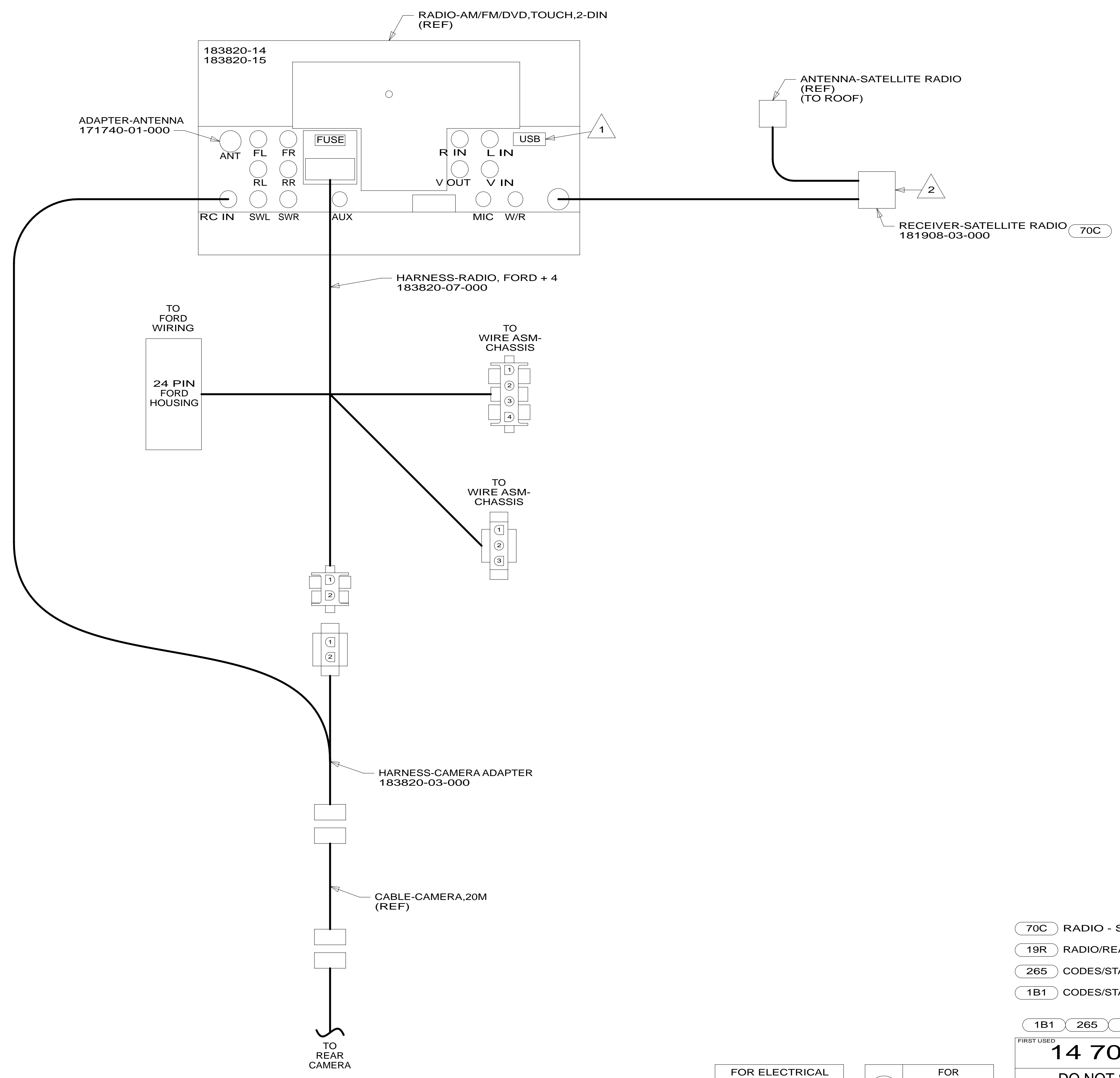
SHEET 3 PART NO **184525** REV

1 ALIGN CAMERA IN CENTER OF SHROUD OPENING AND ADJUST SO BACKWALL IS JUST VISIBLE.

FOR ELECTRICAL TORQUE SPECIFICATIONS SEE DWG NO. 128783-01-000

X-X FOR ELECTRICAL CALLOUTS SEE DWG NO. 121339-01-000

*184525 *A



NOTES:

2 WIRE TIE TO DASH RADIO WIRING BEHIND THE RADIO.

1 PLUG USB CABLE SUPPLIED WITH RADIO INTO LEAD ON BACK OF RADIO MARKED 'USB'. ROUTE CABLE TO THE LEFT OF RADIO. WIRE TIE EXCESS CABLE UNDER DASH IN THE AREA LEFT OF THE RADIO. LEAVE 200 MM OF CABLE IN THE MOTOR COVER BEVERAGE TRAY. MAKE SURE CABLE DOES NOT GET PINCHED BY MOTOR COVER.

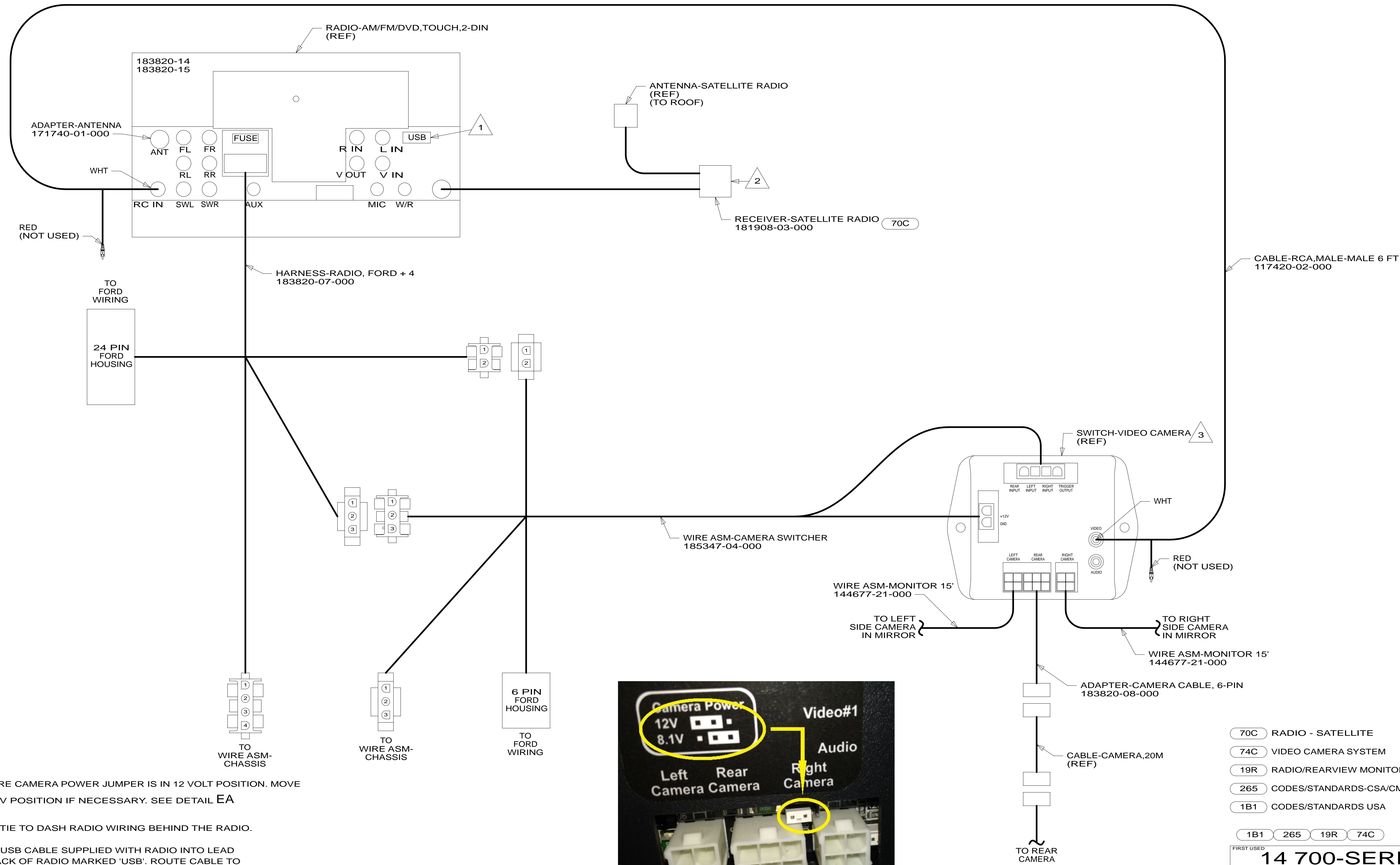
- 70C RADIO - SATELLITE
- 19R RADIO/REARVIEW MONITOR SYS
- 265 CODES/STANDARDS-CSA/CMVSS
- 1B1 CODES/STANDARDS USA

1B1	265	19R
FIRST USED		
14 700-SERIES		
DO NOT SCALE DRAWING		
TITLE: RADIO/MONITOR INSTL		
SHEET 4	PART NO 184525	REV

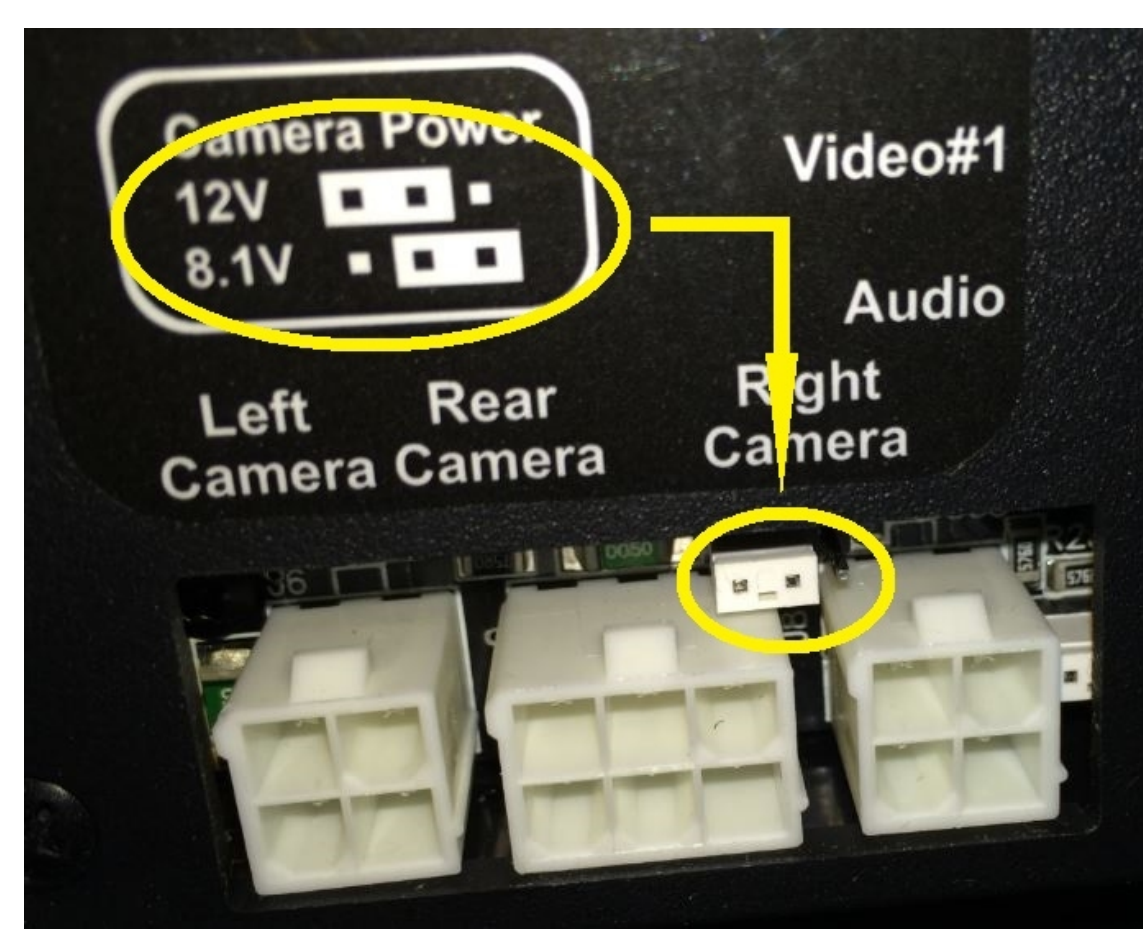
FOR ELECTRICAL TORQUE SPECIFICATIONS SEE DWG NO. 128783-01-000

FOR ELECTRICAL CALLOUTS SEE DWG NO. 121339-01-000

*184525 *A



- NOTES:**
- 3 ENSURE CAMERA POWER JUMPER IS IN 12 VOLT POSITION. MOVE TO 12V POSITION IF NECESSARY. SEE DETAIL EA
 - 2 WIRE TIE TO DASH RADIO WIRING BEHIND THE RADIO.
 - 1 PLUG USB CABLE SUPPLIED WITH RADIO INTO LEAD ON BACK OF RADIO MARKED 'USB'. ROUTE CABLE TO THE LEFT OF RADIO. WIRE TIE EXCESS CABLE UNDER DASH IN THE AREA LEFT OF THE RADIO. LEAVE 200 MM OF CABLE IN THE MOTOR COVER BEVERAGE TRAY. MAKE SURE CABLE DOES NOT GET PINCHED BY MOTOR COVER.



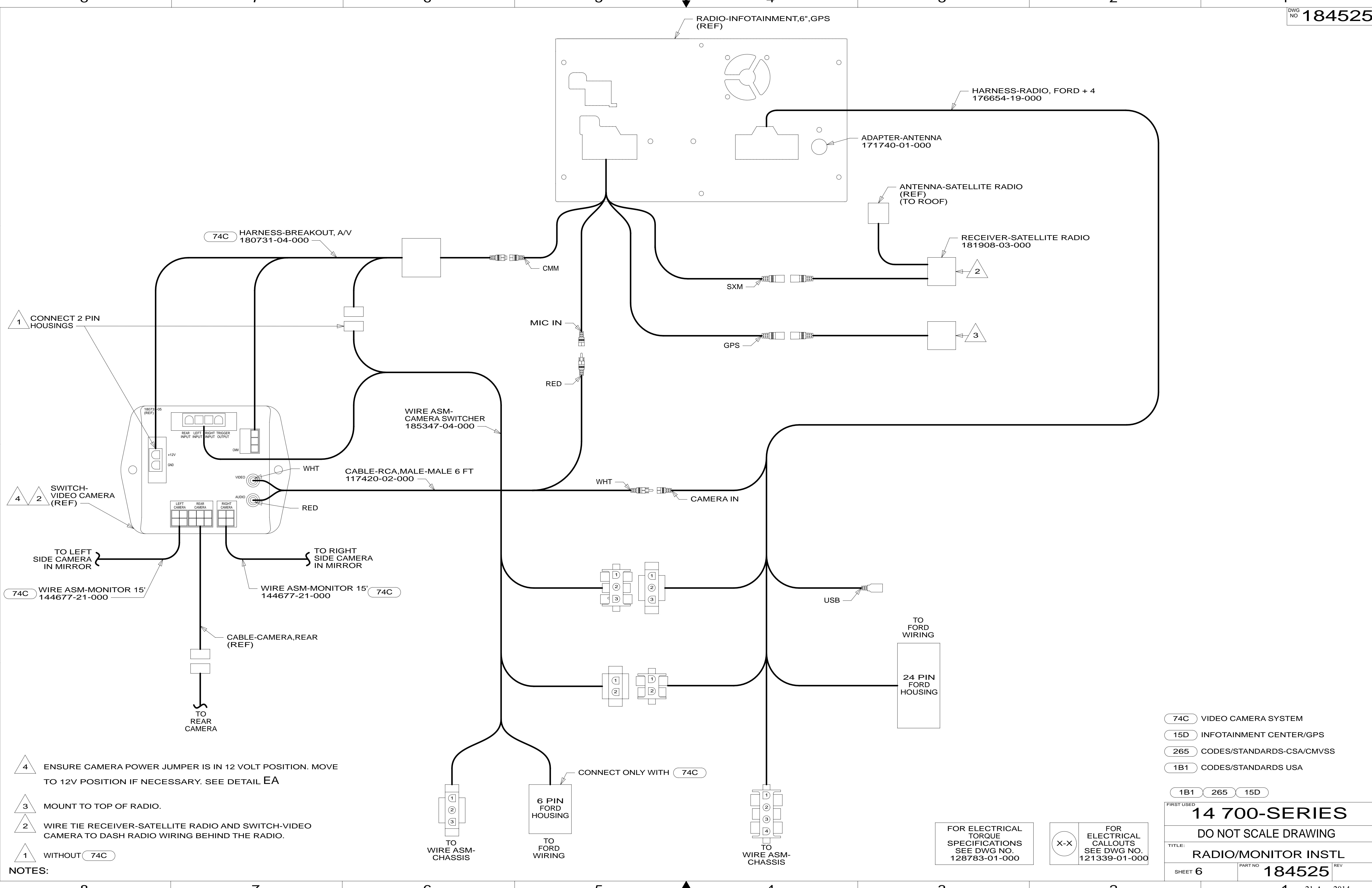
FOR ELECTRICAL TORQUE SPECIFICATIONS SEE DWG NO. 128783-01-000

X-X FOR ELECTRICAL SPECIFICATIONS SEE DWG NO. 121339-01-000

- 70C RADIO - SATELLITE
- 74C VIDEO CAMERA SYSTEM
- 19R RADIO/REARVIEW MONITOR SYS
- 265 CODES/STANDARDS-CSA/CMVSS
- 1B1 CODES/STANDARDS USA

1B1	265	19R	74C
FIRST USED			
14 700-SERIES			
DO NOT SCALE DRAWING			
TITLE: RADIO/MONITOR INSTL			
SHEET 5	PART NO	184525	REV

* 184525 * A



- NOTES:
- 4 ENSURE CAMERA POWER JUMPER IS IN 12 VOLT POSITION. MOVE TO 12V POSITION IF NECESSARY. SEE DETAIL EA
 - 3 MOUNT TO TOP OF RADIO.
 - 2 WIRE TIE RECEIVER-SATELLITE RADIO AND SWITCH-VIDEO CAMERA TO DASH RADIO WIRING BEHIND THE RADIO.
 - 1 WITHOUT 74C

- 74C VIDEO CAMERA SYSTEM
- 15D INFOTAINMENT CENTER/GPS
- 265 CODES/STANDARDS-CSA/CMVSS
- 1B1 CODES/STANDARDS USA

FIRST USED

14 700-SERIES

DO NOT SCALE DRAWING

TITLE: **RADIO/MONITOR INSTL**

SHEET 6 PART NO **184525** REV

21-Aug-2014

FOR ELECTRICAL TORQUE SPECIFICATIONS SEE DWG NO. 128783-01-000

FOR ELECTRICAL CALLOUTS SEE DWG NO. 121339-01-000

* 184525 * A