



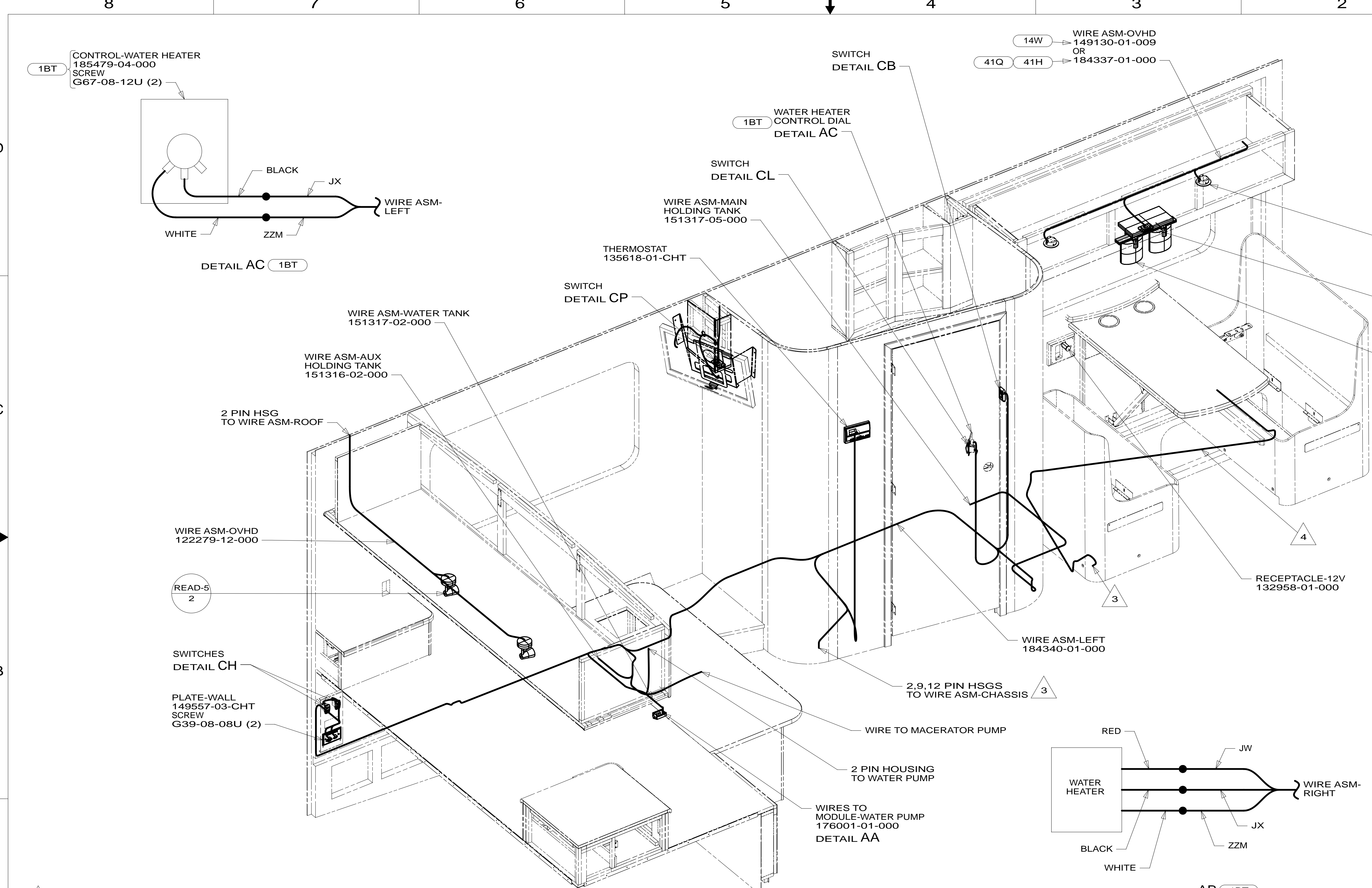
DANGER

Danger of electrical shock, burns or death. Always remove all power sources before attempting any repair, service or diagnostic work. Power can be present from shore power, generator, inverter or battery. All power sources must be disabled and secured before performing any service.

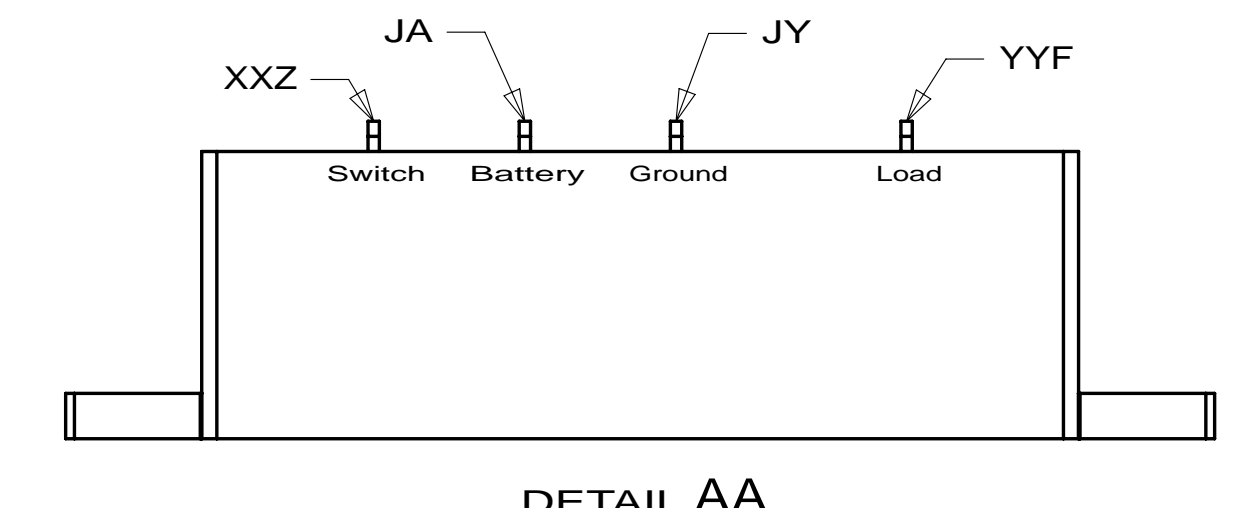
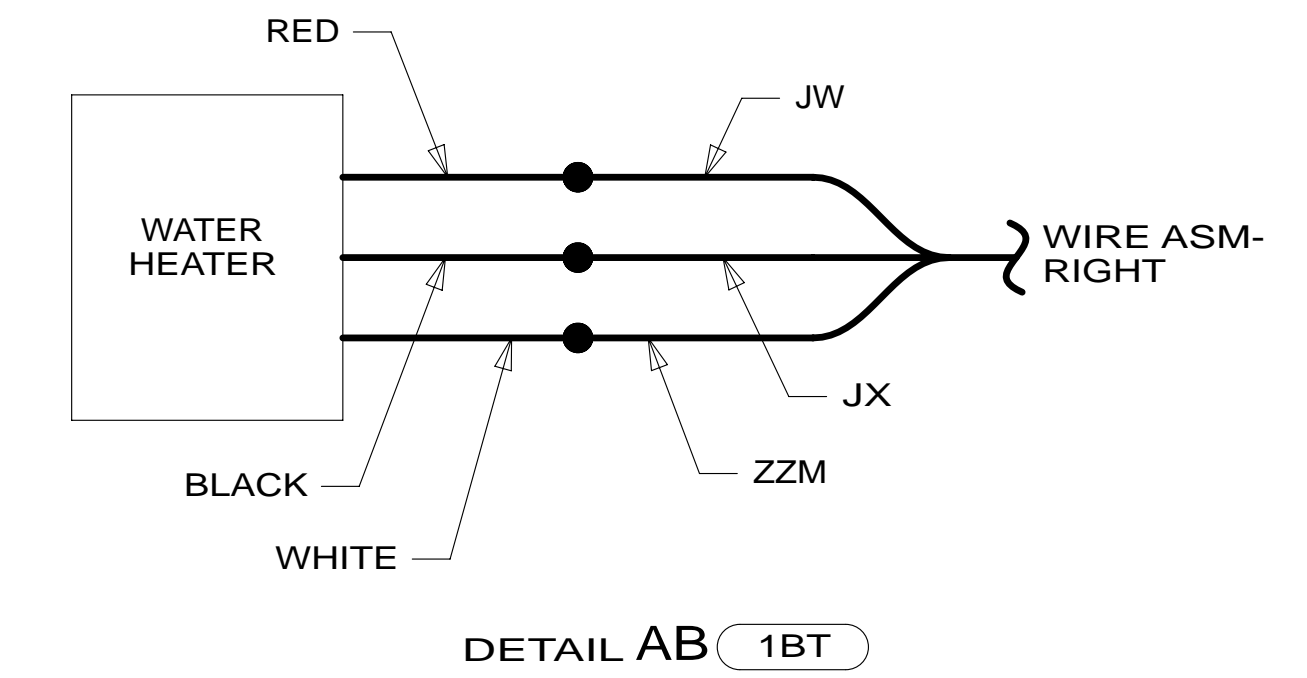


CAUTION

If you lack the skills, tools or equipment to perform diagnostic or repair work leave such work to an authorized Winnebago Industries dealer or other qualified shop.



- 4 WIRE PART OF WIRE ASM-CHASSIS.
 3 WIRES PASS THROUGH FLOOR IN THIS AREA.
2. ROUTE TANK SENSOR WIRES SO THEY DO NOT PASSOVER SENSORS. USE WIRE TIE MOUNT 155366-01-000 AND WIRE TIE 8343-01-000 AS NEEDED. TANK SURFACE MUST BE CLEANED USING ISOPROPYL ALCOHOL AND PRIME WITH PRIMER 94
1. AT MINIMUM ALL WIRES TO BE SUPPORTED AND SECURED PER CODE REQUIREMENTS. USE CLAMP 10495 OR 10497 OR WIRE TIE 8343 OR 108046 AND SCREW G67-XX-XXX OR G56-XX-XXX AS APPROPRIATE FOR INSTALLATION.



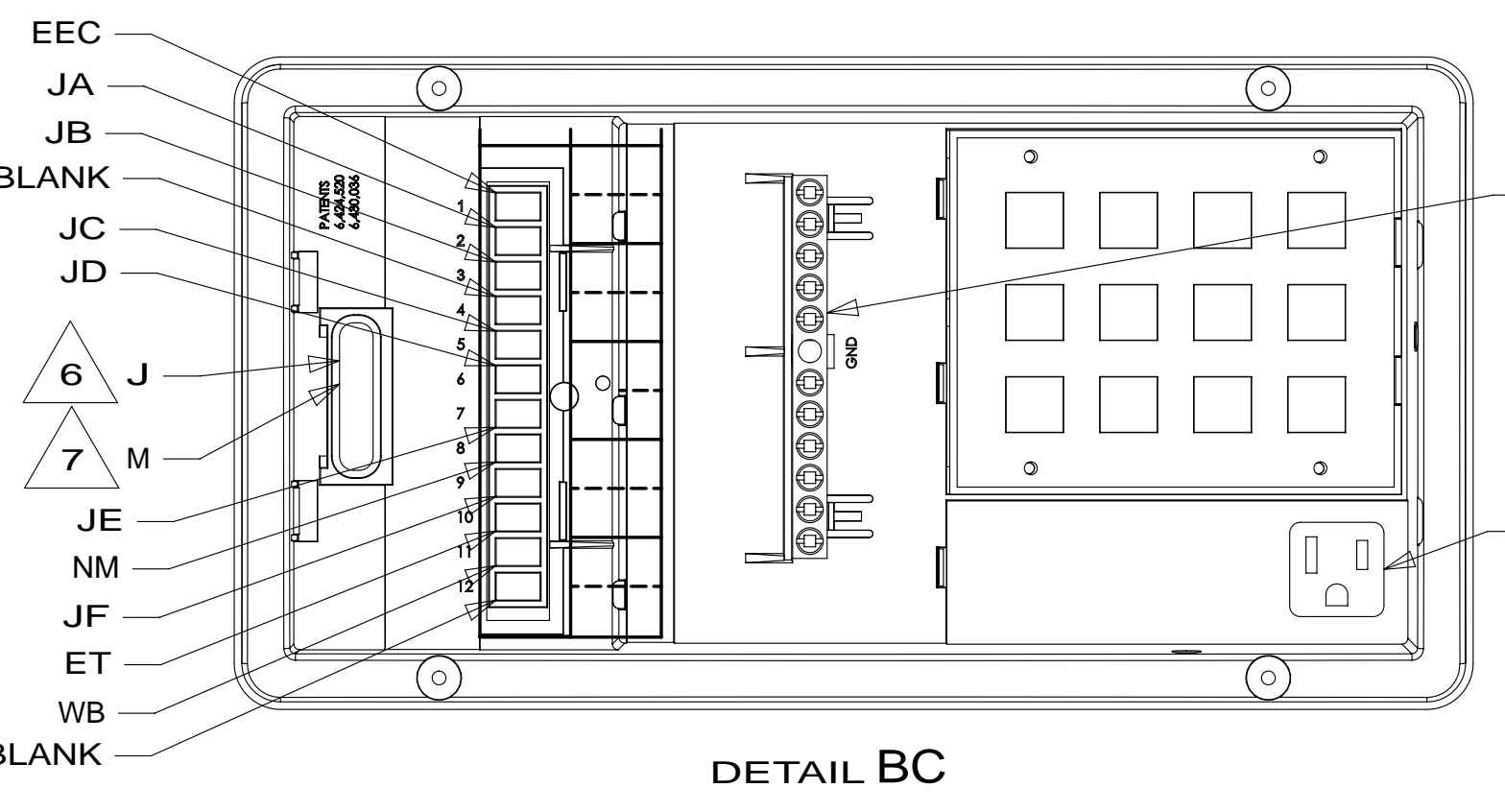
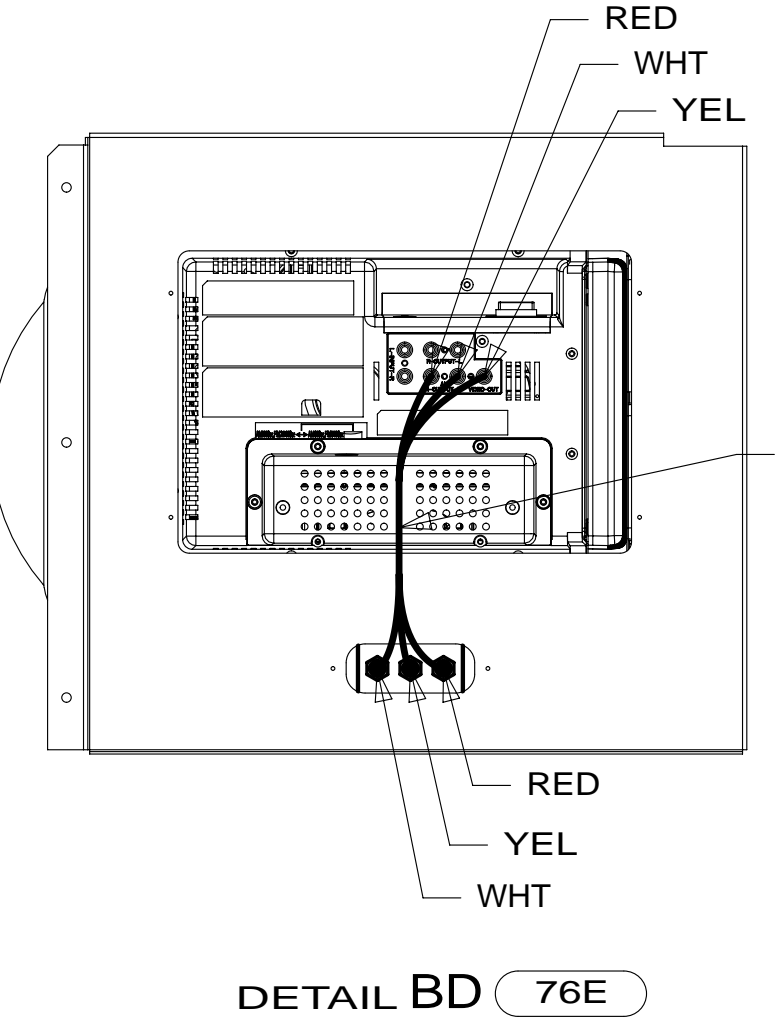
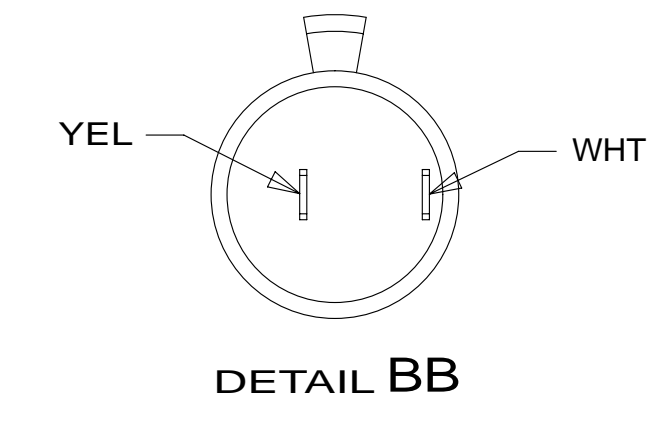
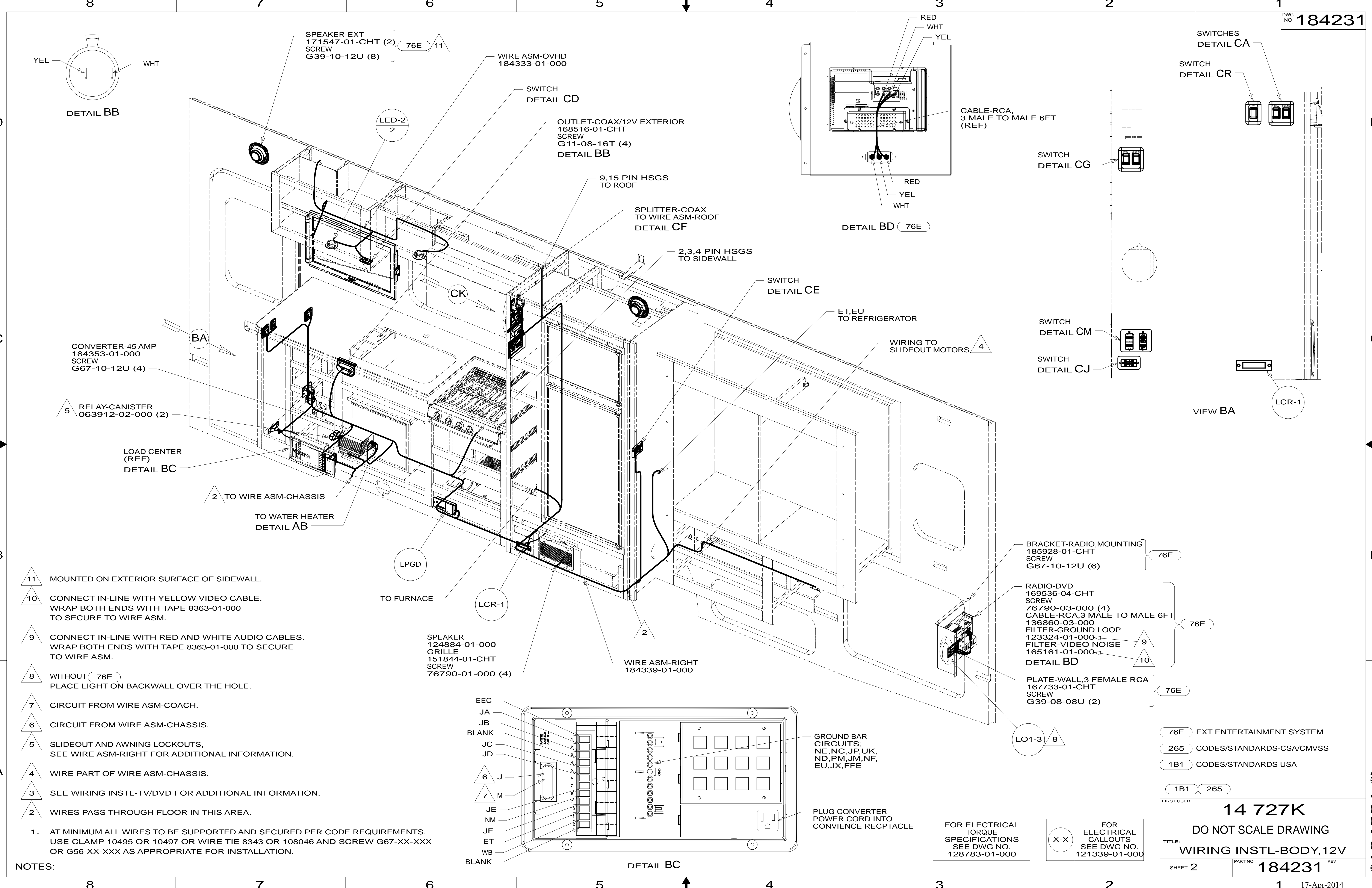
- 1BT WATER HEATER, TANKLESS
- 41Q SOFA/SLEEPER-ULTRALEATHER
- 41H REST EASY, ULTRALEATHER
- 14W DINETTE
- 265 CODES/STANDARDS-CSA/CMVSS
- 1B1 CODES/STANDARDS USA

		COPYRIGHT 2014 WINNEBAGO INDUSTRIES, INC.	
DFTR	ORIG. DATE	ALL DIMENSIONS ARE IN MILLIMETERS	
CHKR		FIRST USED	
P.E.		14 727K	
M.E.		UNSPECIFIED TOLERANCES ARE:	
DSNR		WHOLE DIM (X) :	
		ONE-PLACE (X.X) :	
		TWO-PLACE (X.XX) :	
		ANGLE :	
		THIRD ANGLE PROJECTION	
DO NOT SCALE DRAWING		REFER TO ES0018 FOR FASTENER TIGHTENING GUIDELINES	
TITLE: WIRING INSTL-BODY, 12V			
SHEET 1 OF 5	PART NO 184231	REV	
REF:	1	17-Apr-2014	

FOR ELECTRICAL TORQUE SPECIFICATIONS SEE DWG NO. 128783-01-000

FOR ELECTRICAL CALLOUTS SEE DWG NO. 121339-01-000

* 184231 * A



- 11 MOUNTED ON EXTERIOR SURFACE OF SIDEWALL.
- 10 CONNECT IN-LINE WITH YELLOW VIDEO CABLE. WRAP BOTH ENDS WITH TAPE 8363-01-000 TO SECURE TO WIRE ASM.
- 9 CONNECT IN-LINE WITH RED AND WHITE AUDIO CABLES. WRAP BOTH ENDS WITH TAPE 8363-01-000 TO SECURE TO WIRE ASM.
- 8 WITHOUT 76E PLACE LIGHT ON BACKWALL OVER THE HOLE.
- 7 CIRCUIT FROM WIRE ASM-COACH.
- 6 CIRCUIT FROM WIRE ASM-CHASSIS.
- 5 SLIDEOUT AND AWNING LOCKOUTS. SEE WIRE ASM-RIGHT FOR ADDITIONAL INFORMATION.
- 4 WIRE PART OF WIRE ASM-CHASSIS.
- 3 SEE WIRING INSTL-TV/DVD FOR ADDITIONAL INFORMATION.
- 2 WIRES PASS THROUGH FLOOR IN THIS AREA.

1. AT MINIMUM ALL WIRES TO BE SUPPORTED AND SECURED PER CODE REQUIREMENTS. USE CLAMP 10495 OR 10497 OR WIRE TIE 8343 OR 108046 AND SCREW G67-XX-XXX OR G56-XX-XXX AS APPROPRIATE FOR INSTALLATION.

NOTES:

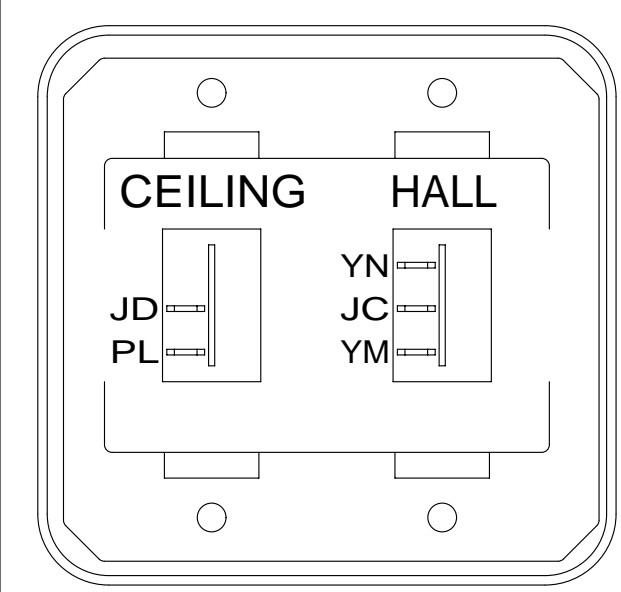
FOR ELECTRICAL TORQUE SPECIFICATIONS SEE DWG NO. 128783-01-000

FOR ELECTRICAL CALLOUTS SEE DWG NO. 121339-01-000

- 76E EXT ENTERTAINMENT SYSTEM
- 265 CODES/STANDARDS-CSA/CMVSS
- 1B1 CODES/STANDARDS USA

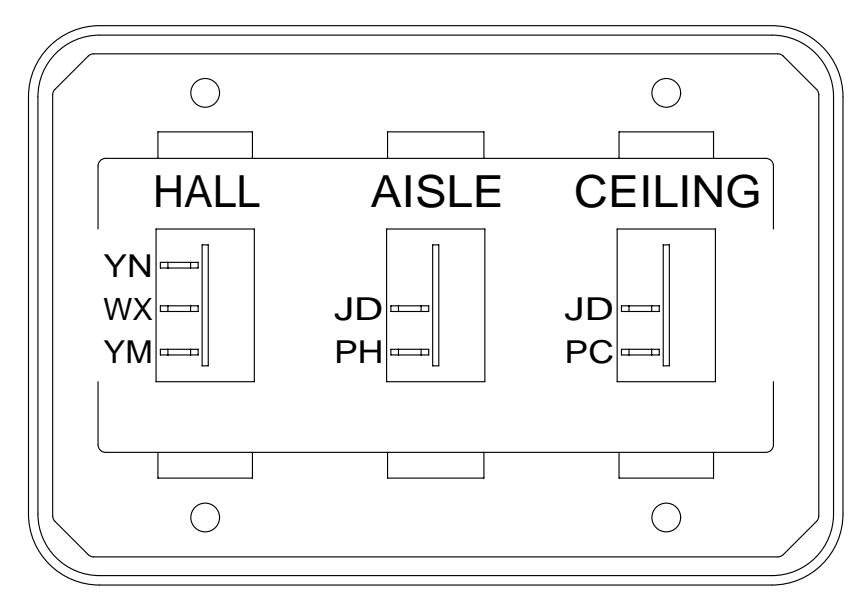
FIRST USED	14 727K	
DO NOT SCALE DRAWING		
WIRING INSTL-BODY,12V		
SHEET 2	PART NO 184231	REV

* 184231 * A



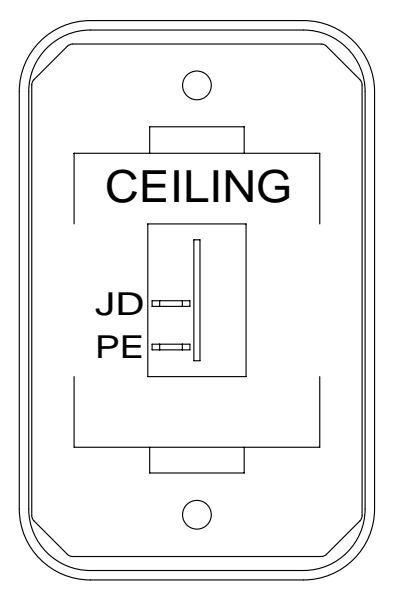
SWITCH-ROCKER
135740-01-CHT
135740-02-CHT
SWITCH-BASE
135741-01-CHT
SWITCH-BESEL
135742-16-CHT
SCREW
G11-08-08U (4)

DETAIL CA



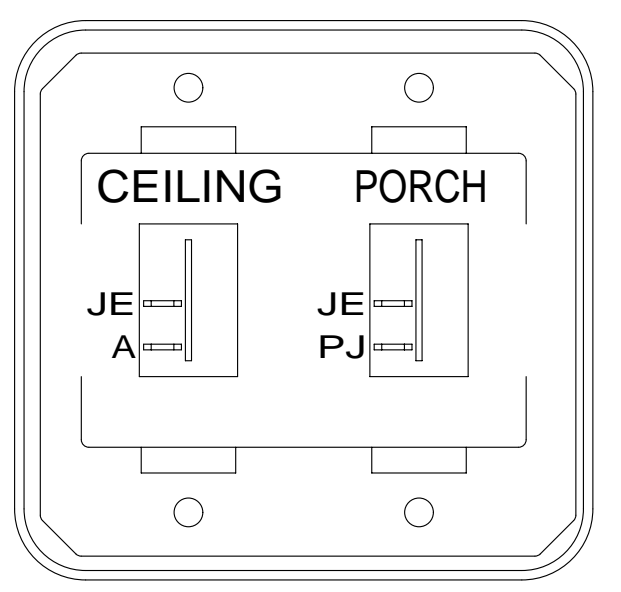
SWITCH-ROCKER
135740-01-CHT (2)
135740-02-CHT
SWITCH-BASE
135741-03-CHT
SWITCH-BESEL
135742-25-CHT
SCREW
G11-08-08U (4)

DETAIL CE



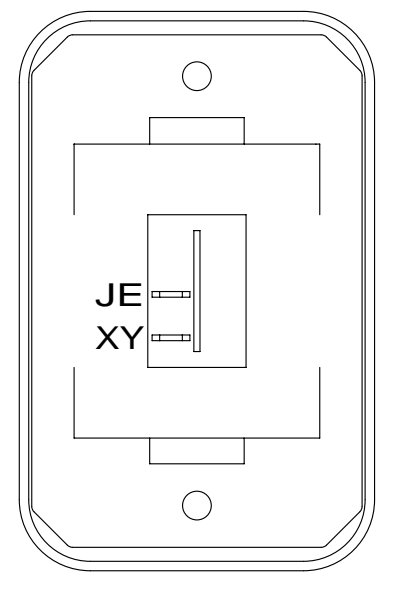
SWITCH-ROCKER
135740-01-CHT
SWITCH-BASE
135741-01-CHT
SWITCH-BESEL
135742-07-CHT
SCREW
G11-08-08U (2)

DETAIL CB



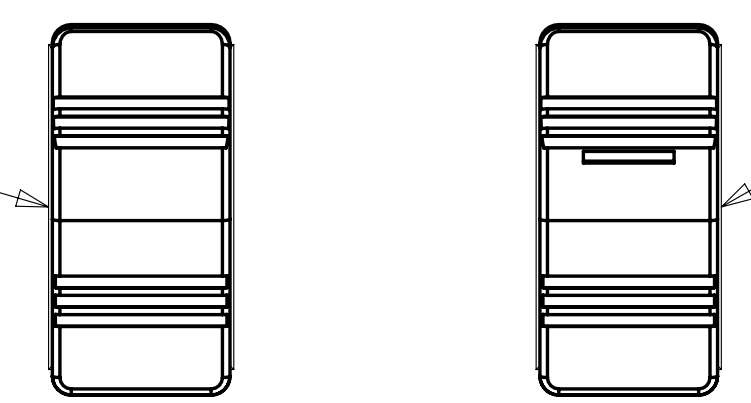
SWITCH-ROCKER
135740-01-CHT (2)
SWITCH-BASE
135741-02-CHT
SWITCH-BESEL
135742-19-CHT
SCREW
G11-08-08U (4)

DETAIL CG



SWITCH-ROCKER
135740-01-CHT
SWITCH-BASE
135741-01-CHT
SWITCH-BESEL
135742-01-CHT
SCREW
G11-08-08U (2)

DETAIL CD



SWITCH-DRAIN PUMP
108357-09-000
ACTUATOR
108356-01-CHT

SWITCH-PUMP
108357-21-000
ACTUATOR
108356-03-CHT

DETAIL CH

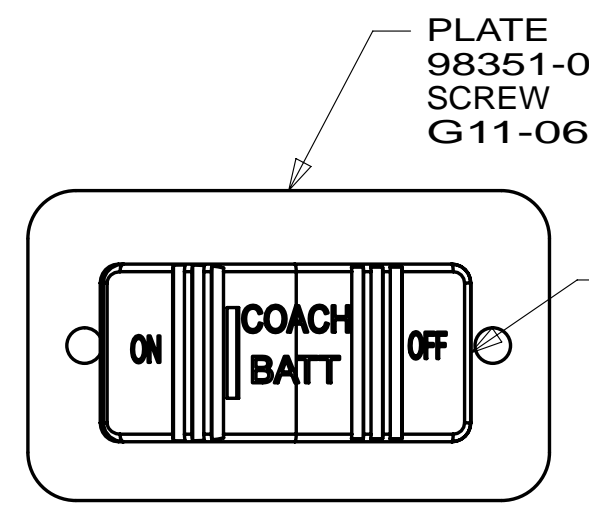


PLATE
98351-07-CHT
SCREW
G11-06-10U (4)

SWITCH-BATTERY
108357-17-000
ACTUATOR
108356-19-CHT
CIRCUITS LH,LJ,
LG,JP,JA
WIRE ASM-THERMISTOR
186796-01-000

DETAIL CJ

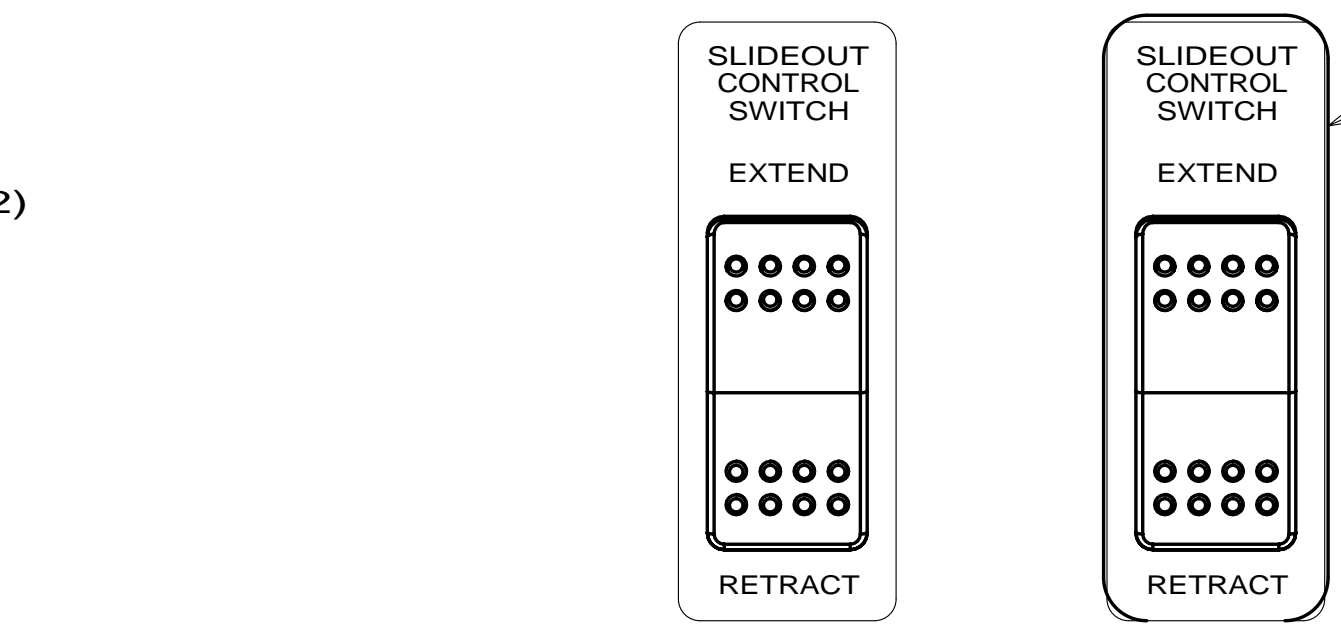


PLATE-SWITCH
144363-09-CHT (2)
SWITCH
108357-06-000 (2)
ACTUATOR
108356-02-CHT (2)
NUT
D65-08-00B (4)
LABEL
116220-01-000 (2)

LABEL-SLIDEOUT,PASS,REAR
163992-03-CHT

PASSENGER'S
SIDE REAR

DRIVER'S
SIDE FRONT

LABEL-SLIDEOUT,DRIVER,FRONT
163992-01-CHT

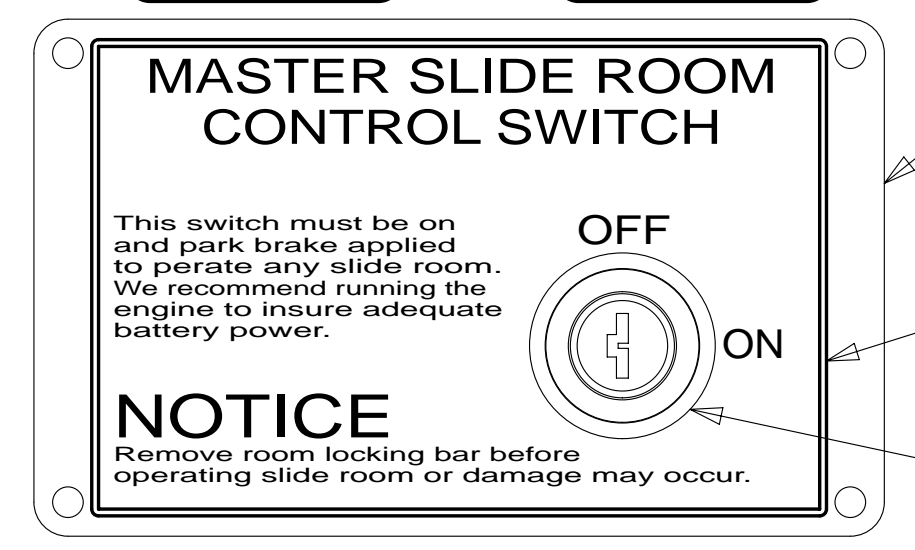


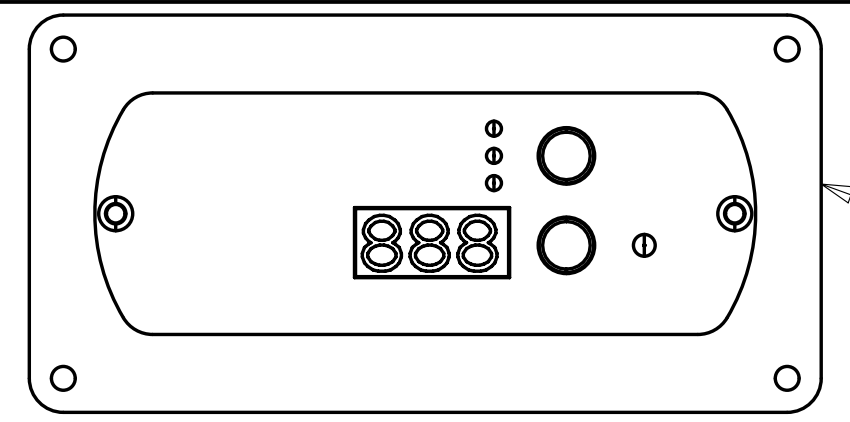
PLATE KEY SLIDEROOM
163987-01-CHT
SCREW
76790-05-000 (4)

LABEL-SLIDEROOM CONTROL
163988-01-CHT

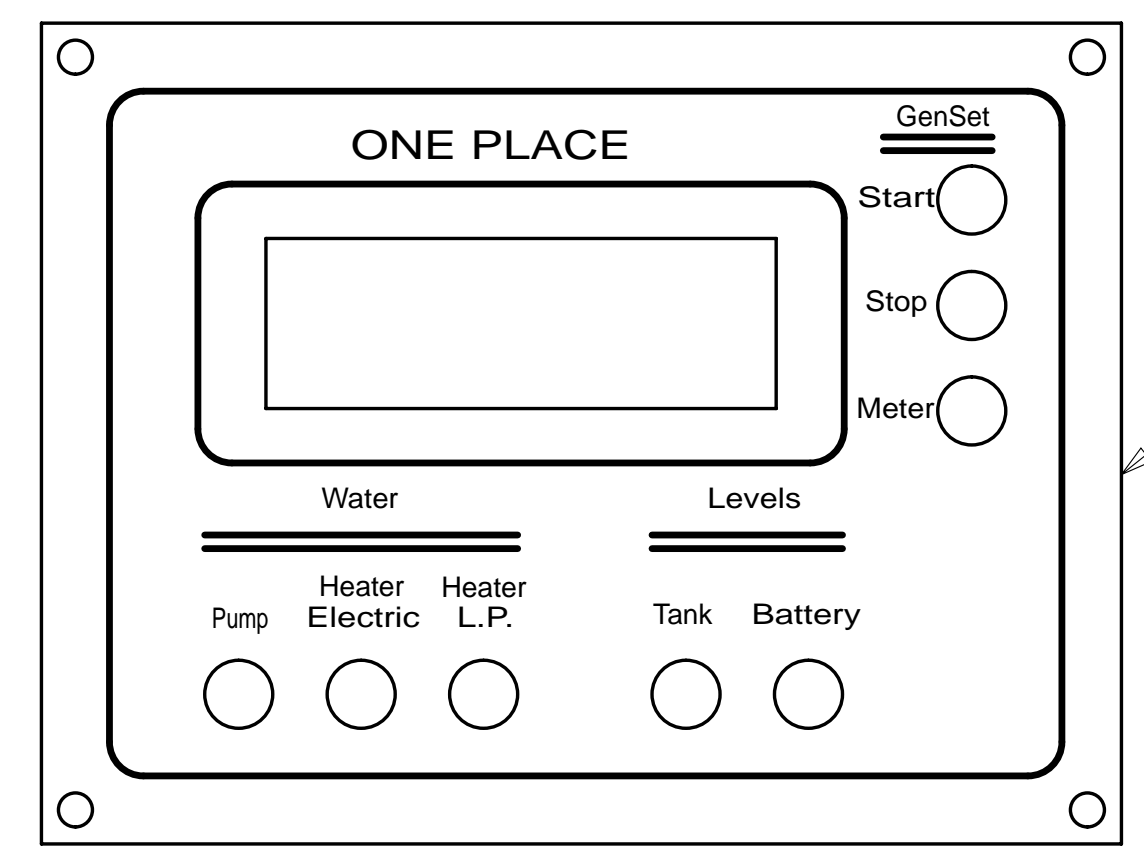
SWITCH-KEYLOCK
163097-01-CHT
(CIRCUITS DY,DDJ)

WARNING CRUSH HAZARD. Keep people and objects clear of the inside and the outside of the slideout room when operating. Failure to comply could result in death or serious injury.

LABEL-WARNING
116549-01-000



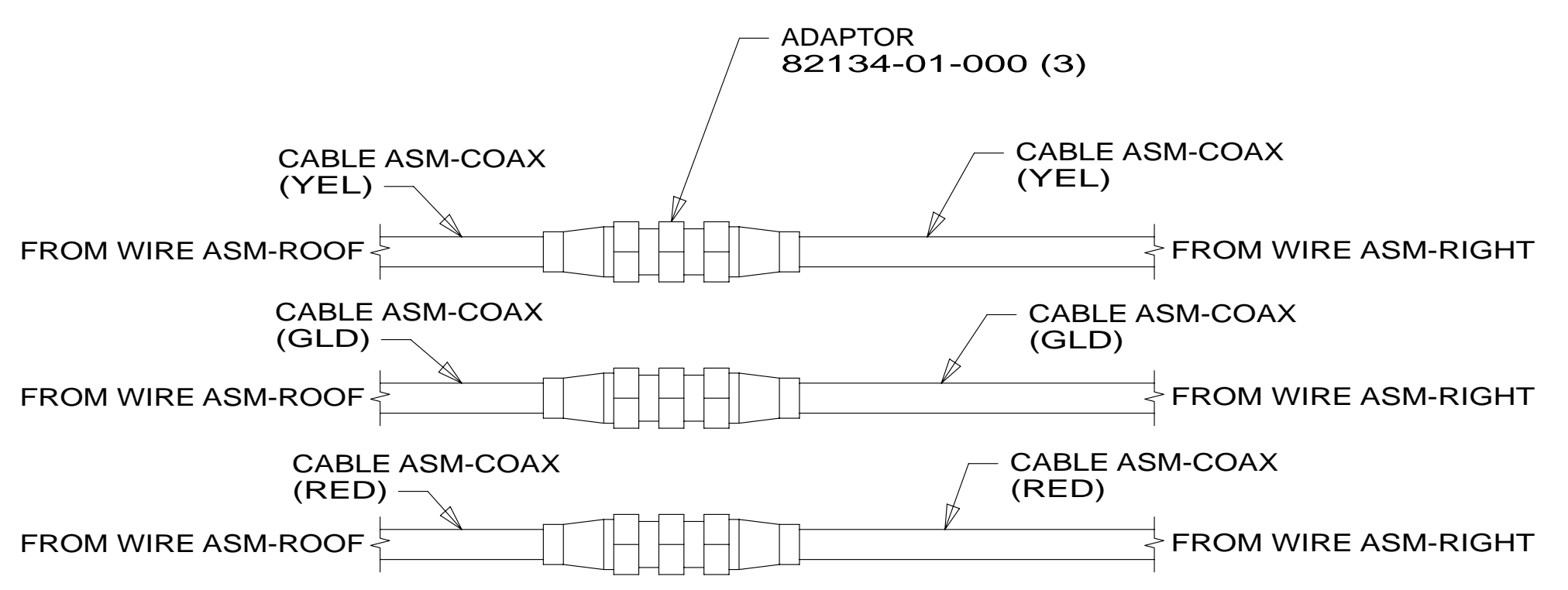
REMOTE PANEL-INVERTER
(SUPPLIED WITH INVERTER)
MODULE-12V DISC
173355-01-000



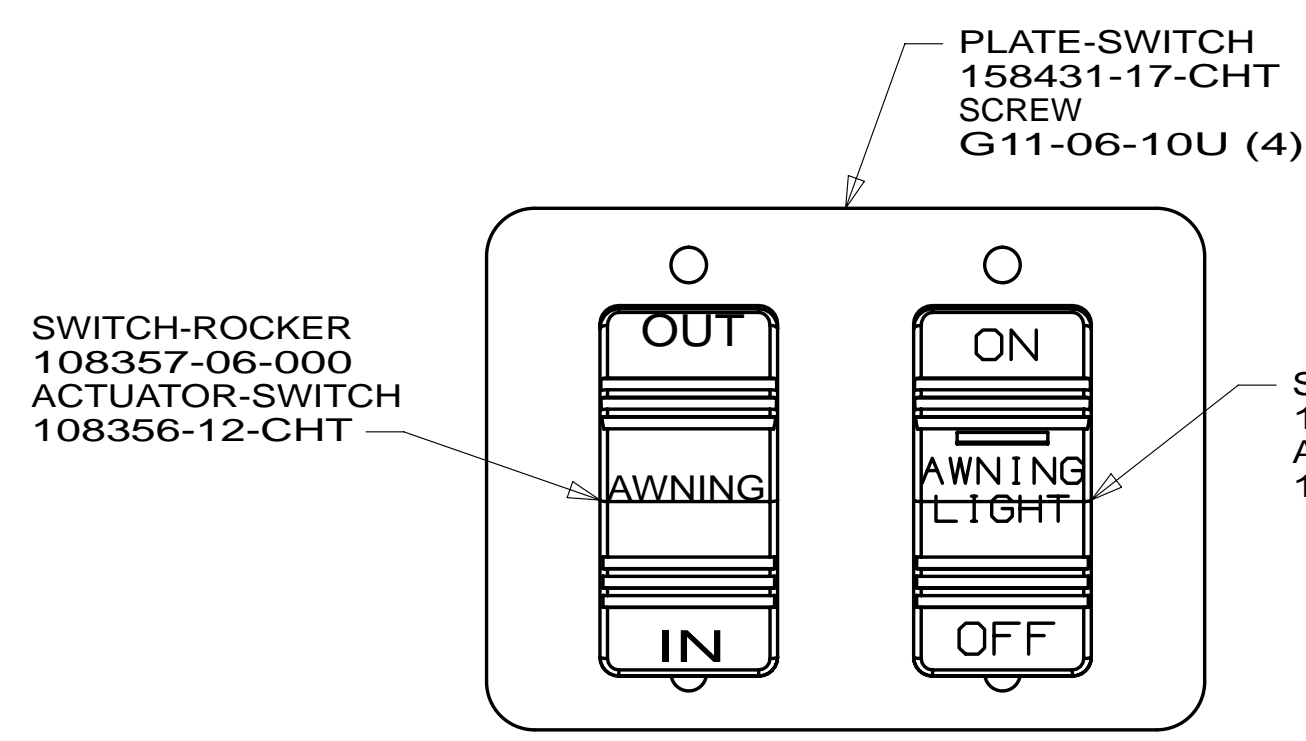
PANEL-MONITOR,LCD
175724-01-000
175724-04-000
SCREW
G11-08-12U (4)

53B
1BT

VIEW CK



DETAIL CF



SWITCH-ROCKER
108357-06-000
ACTUATOR-SWITCH
108356-12-CHT

PLATE-SWITCH
158431-17-CHT
SCREW
G11-06-10U (4)

SWITCH-ROCKER
108357-14-000
ACTUATOR-SWITCH
108356-28-CHT

DETAIL CM

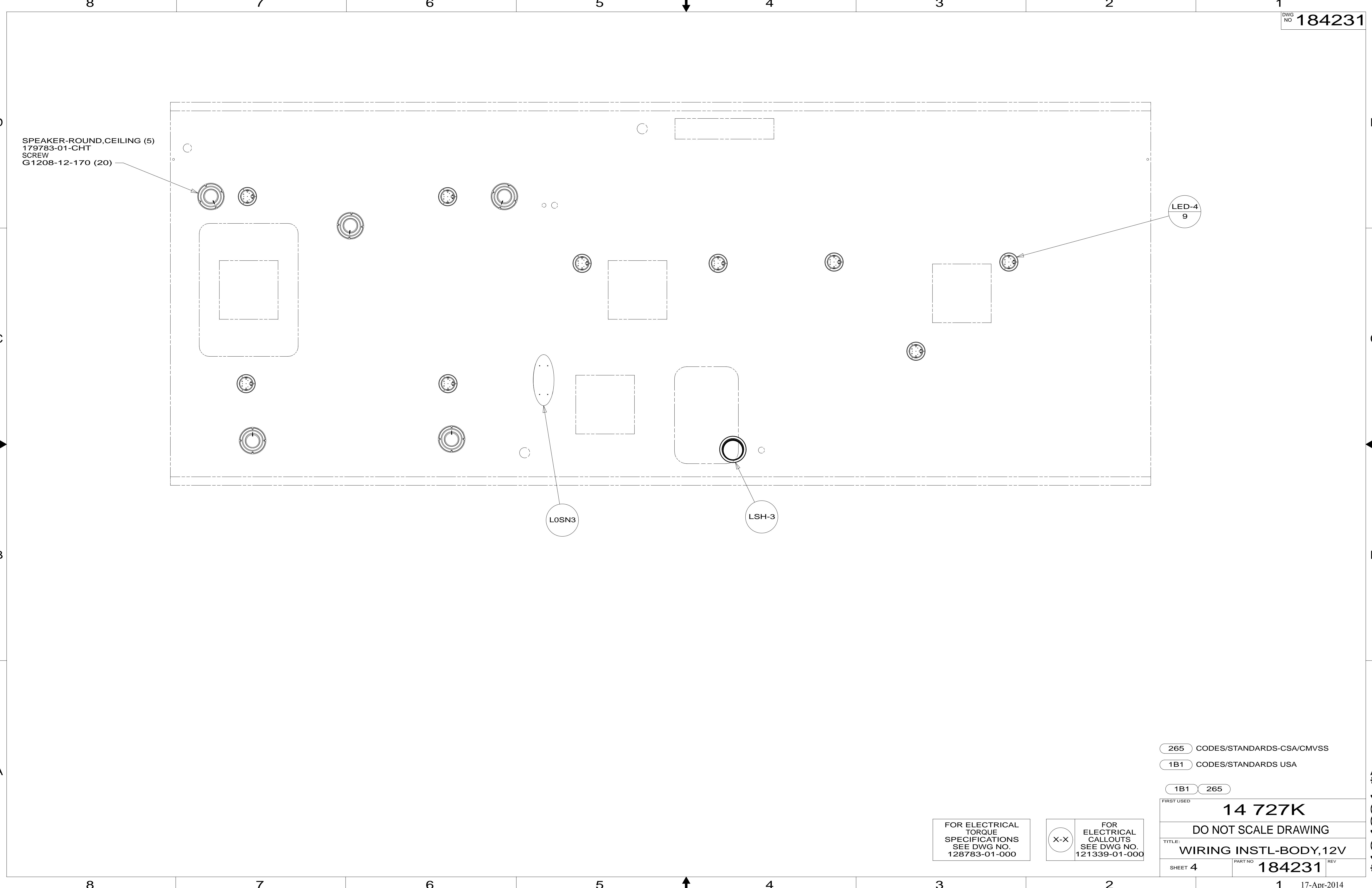
FOR ELECTRICAL
TORQUE
SPECIFICATIONS
SEE DWG NO.
128783-01-000

FOR
ELECTRICAL
CALLOUTS
SEE DWG NO.
121339-01-000

- 53B WTR HTR-6GAL ELECTRIC/LP GAS
- 1BT WATER HEATER, TANKLESS
- 41H REST EASY, ULTRALEATHER
- 401 INVERTER-DC/AC, 1000 WATT
- 265 CODES/STANDARDS-CSA/CMVSS
- 1B1 CODES/STANDARDS USA

FIRST USED		14 727K	
DO NOT SCALE DRAWING			
TITLE: WIRING INSTL-BODY,12V			
SHEET 3	PART NO	184231	REV
		17-Apr-2014	

* 184231 * A



SPEAKER-ROUND, CEILING (5)
 179783-01-CHT
 SCREW
 G1208-12-170 (20)

LED-4
 9

L0SN3

LSH-3

265 CODES/STANDARDS-CSA/CMVSS

1B1 CODES/STANDARDS USA

1B1 265

FIRST USED
14 727K

DO NOT SCALE DRAWING

TITLE: **WIRING INSTL-BODY, 12V**

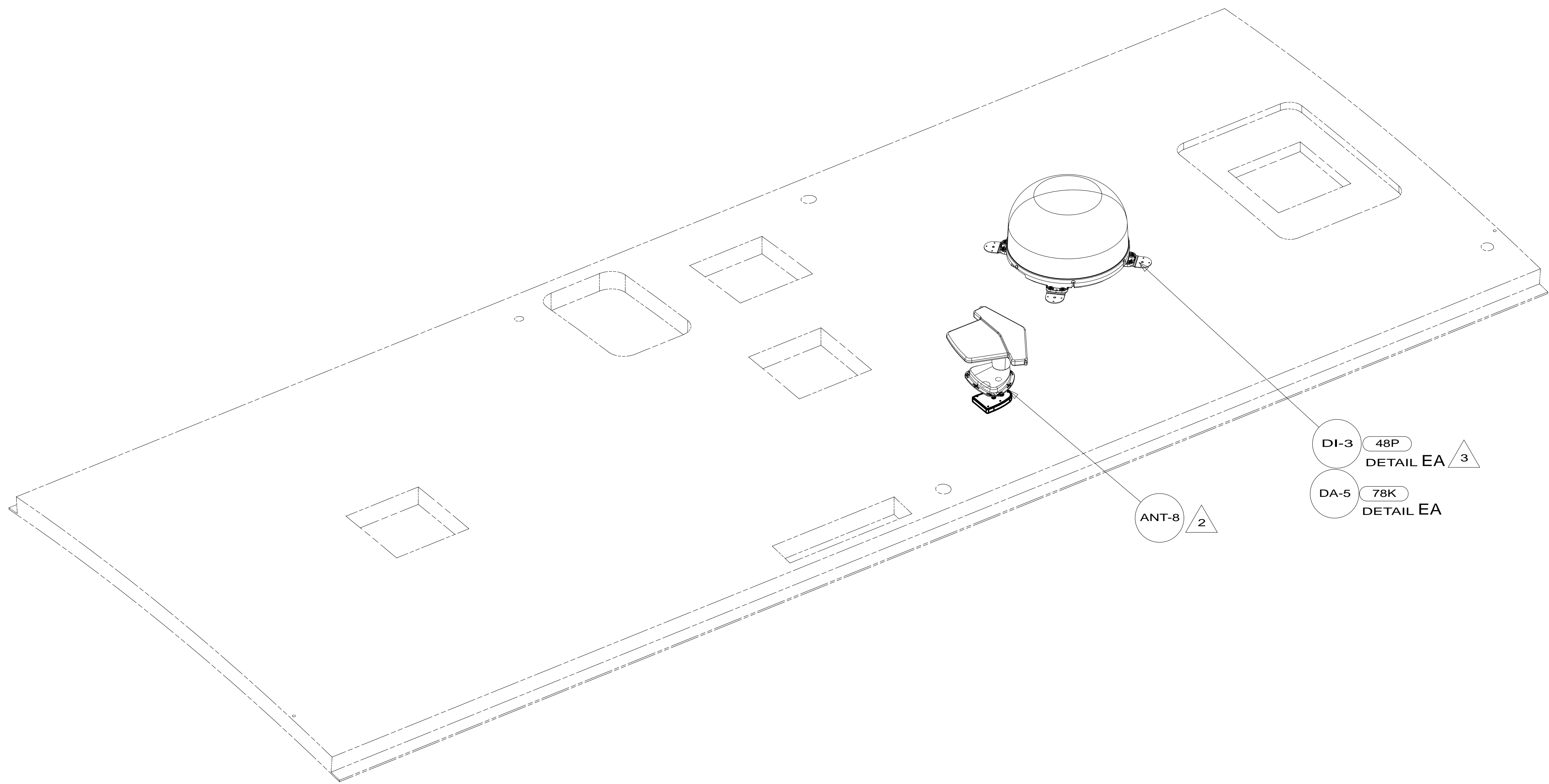
SHEET 4 PART NO **184231** REV

FOR ELECTRICAL
 TORQUE
 SPECIFICATIONS
 SEE DWG NO.
 128783-01-000

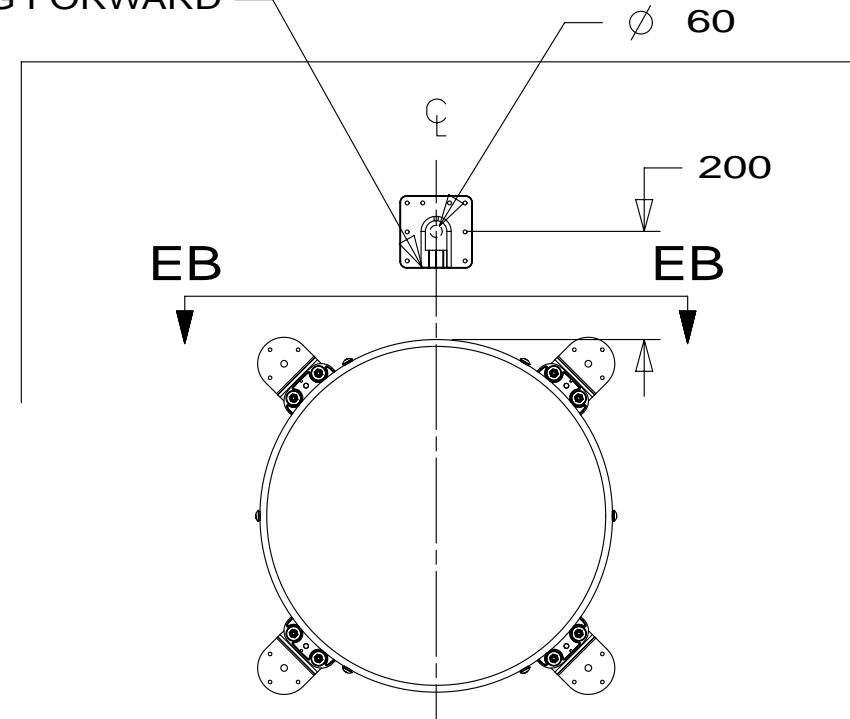
FOR ELECTRICAL
 CALLOUTS
 SEE DWG NO.
 121339-01-000

X-X

*A
 *184231



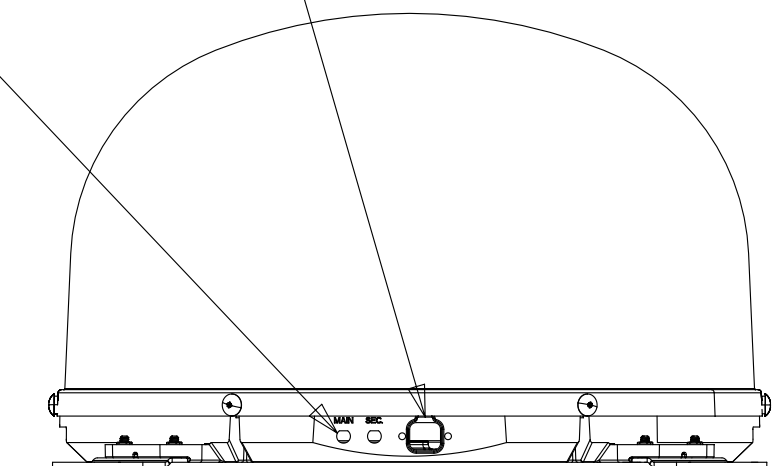
THE SATELLITE DISH WIRE CONNECTIONS ARE TO BE PLACED ON THE CENTERLINE OF THE MOTORHOME FACING FORWARD



DETAIL EA 1

CONNECT 2-PIN HOUSING FROM ROOF ASM TO SATELLITE DISH HERE AND ADD CONVOLUTED TUBING

CONNECT CABLE ASM COAX (ORG) FROM ROOF ASM TO MAIN INPUT ON SATELLITE DISH



VIEW EB-EB

FOR ELECTRICAL TORQUE SPECIFICATIONS SEE DWG NO. 128783-01-000

FOR ELECTRICAL CALLOUTS SEE DWG NO. 121339-01-000

- 48P SAT TV SYSTEM IN-MOTION
- 78K SATELLITE TV SYSTEM AUTO
- 265 CODES/STANDARDS-CSA/CMVSS
- 1B1 CODES/STANDARDS USA

FIRST USED	14 727K	
DO NOT SCALE DRAWING		
TITLE: WIRING INSTL-BODY, 12V		
SHEET 5	PART NO 184231	REV

- NOTES:
- 3 ADD CABLE-COAX 163598-04-000 AND ADAPTER-COAX 82134-01-000 TO ORG COAX TO MAKE CONNECTION WATER TIGHT.
 - 2 SEE ANTENNA INSTALLATION MANUAL FOR CORRECT INSTALLATION PROCEDURE.
 - 1 REMOVE ALL SHIPPING RESTRAINTS AND FIRMLY INSERT THE SUPPLIED PLUGS INTO THE APPROPRIATE SIZED HOLES AS SPECIFIED IN THE INSTALLATION PROCESS.

*184231 *A