



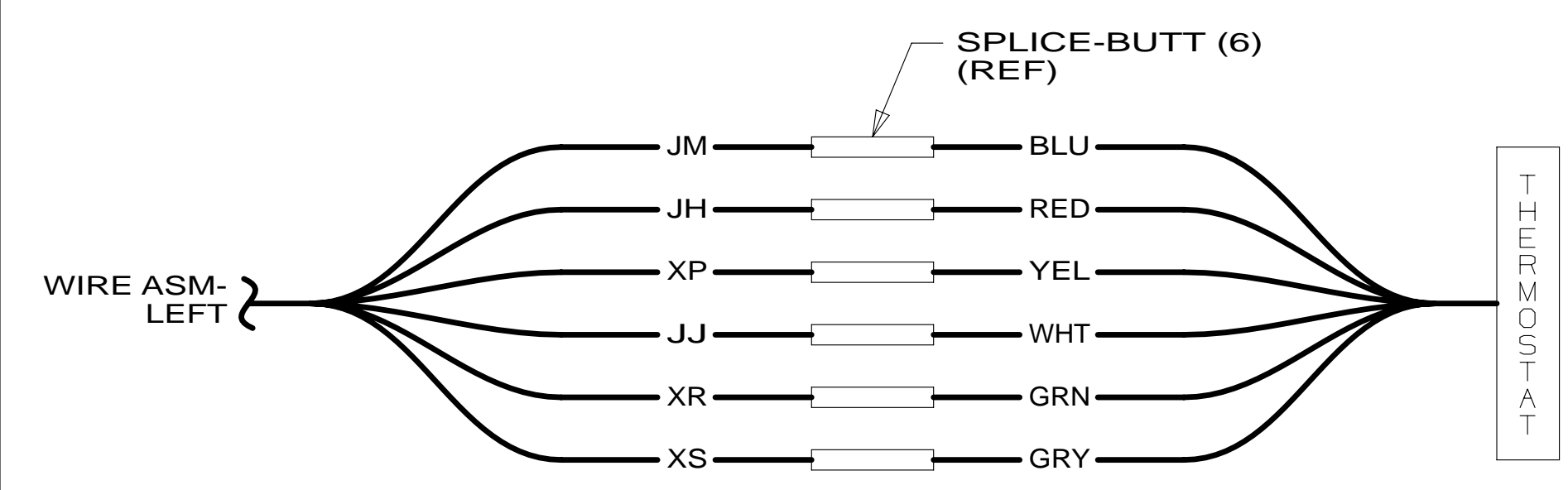
DANGER

Danger of electrical shock, burns or death. Always remove all power sources before attempting any repair, service or diagnostic work. Power can be present from shore power, generator, inverter or battery. All power sources must be disabled and secured before performing any service.

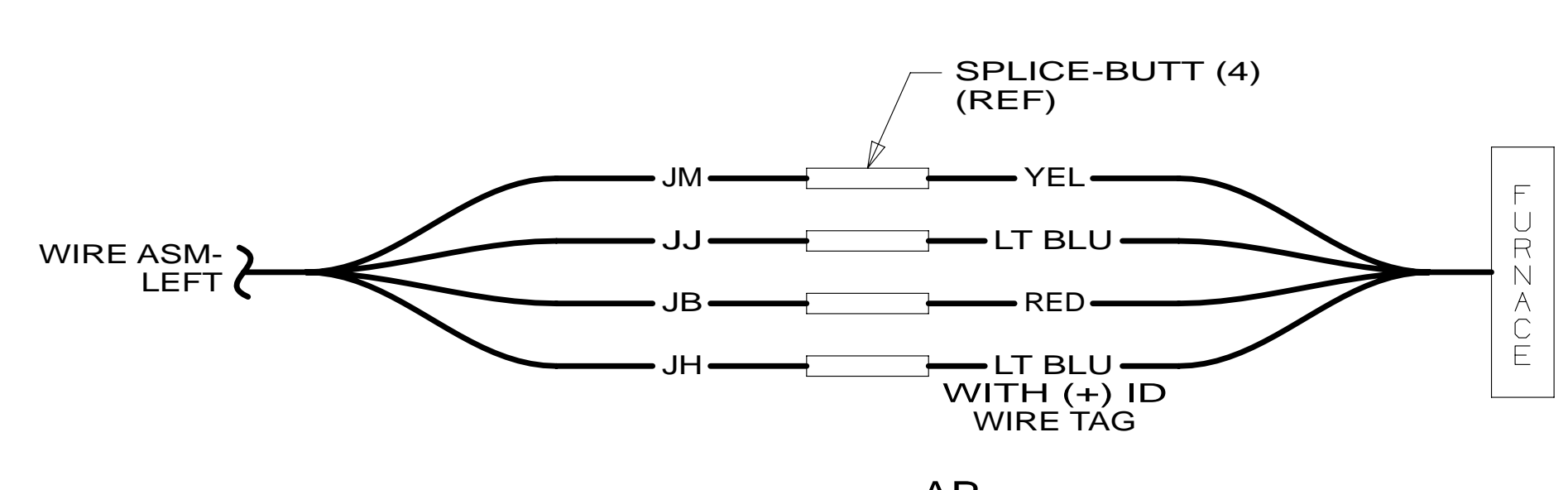


CAUTION

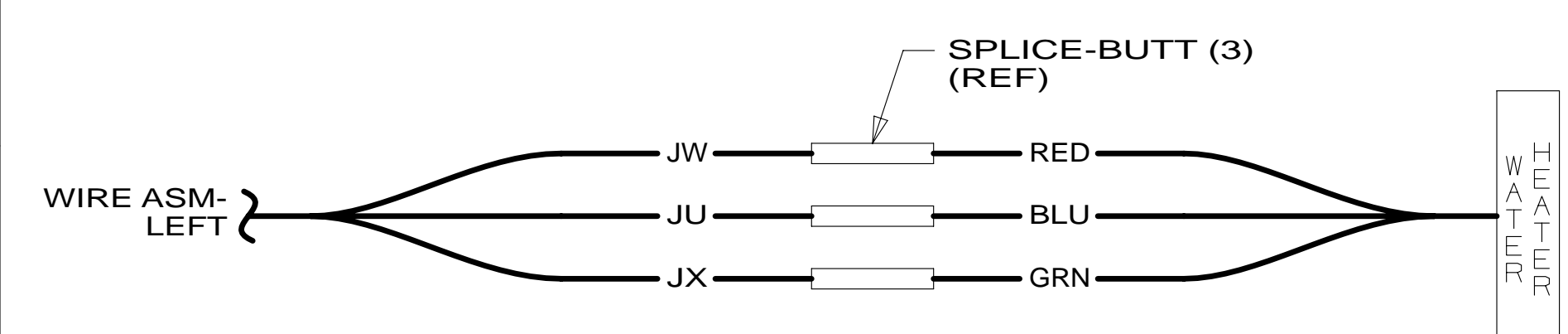
If you lack the skills, tools or equipment to perform diagnostic or repair work leave such work to an authorized Winnebago Industries dealer or other qualified shop.



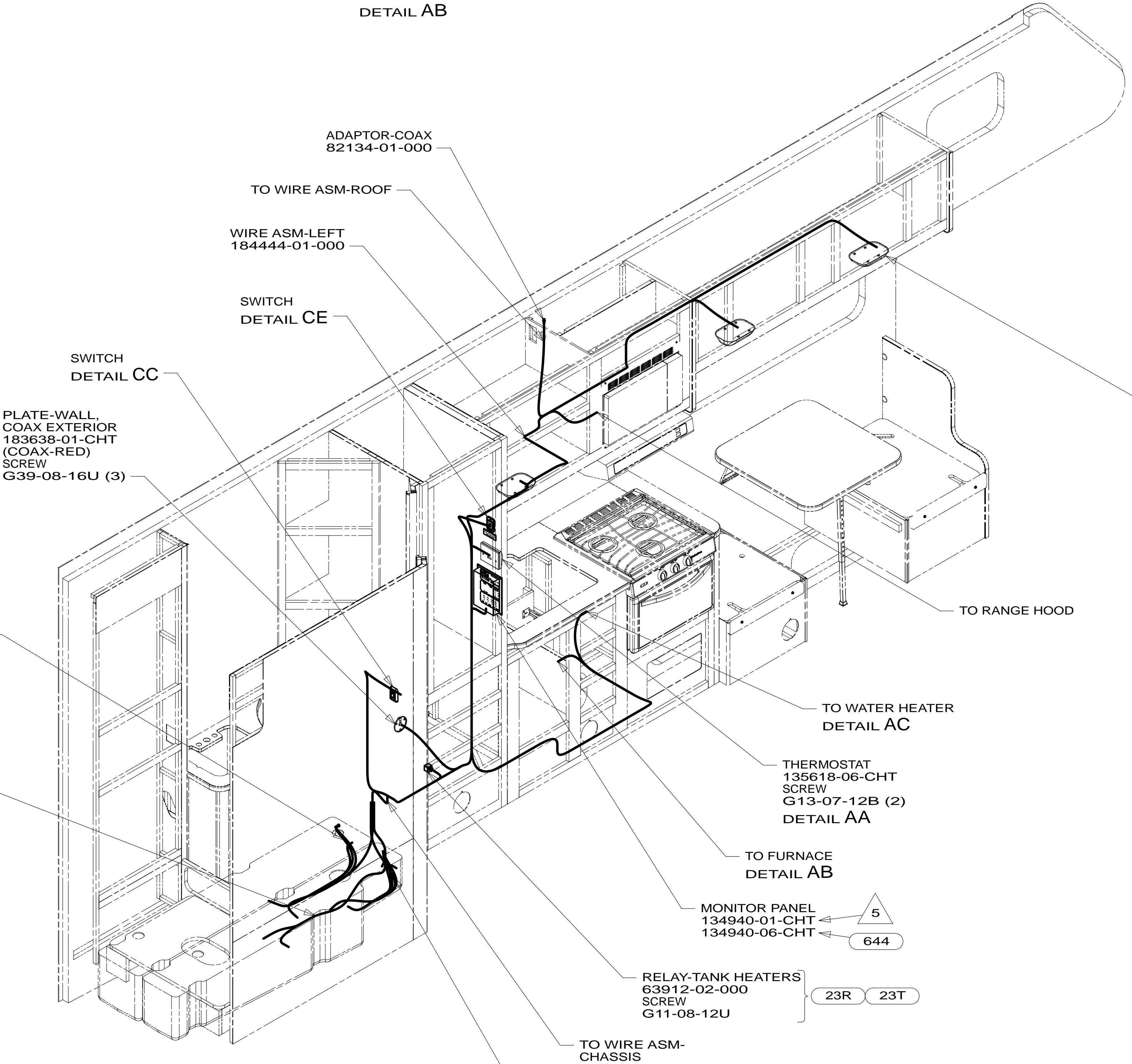
DETAIL AA



DETAIL AB



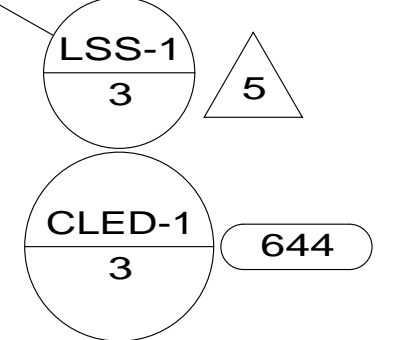
DETAIL AC



9. AT MINIMUM ALL WIRES TO BE SUPPORTED AND SECURED PER CODE REQUIREMENTS. USE CLAMP 10495 OR 10497 OR WIRE TIE 8343 OR 108046 AND SCREW G67-XX-XXX OR G56-XX-XXX AS APPROPRIATE FOR INSTALLATION.

- 8 MARK WIRES WITH WRAP OF BLU TAPE.
- 7 MARK WIRES WITH WRAP OF ORG TAPE.
- 6 CUT 2 PIN HSG OFF ASM, REPLACE WITH SPLICE-BUTT 031876-01-000 (2). CONNECT BLK WIRE TO WHT AND BLK/WHT WIRE TO YEL.
- 5 NOT USED WITH 644
- 4 SEE DETAIL EB FOR WIRING AND CONNECTION TO SENSOR PROBES.
- 3 SEE DRAINAGE SYSTEM INSTALLATION FOR ADDITIONAL INFORMATION.
- 2 WIRE ROUTED ALONG DRAINAGE PIPE AND CONNECTED TO PIPE WITH TIE-WIRE 8343-04-000.
- 1 WIRE ASM TO BE PULLED INTO ROUTED PATH IN SLIDEOUT ROOM ROOF.

NOTES:



- 644 GREAT ALASKAN RENTAL PACKAGE
- 23R DRAINAGE SYSTEM/HEAT-PREWIRE
- 23T DRAINAGE SYSTEM-HEATED
- 265 CODES/STANDARDS-CSA/CMVSS
- 1B1 CODES/STANDARDS USA

1B1 265

WINNEBAGO COPYRIGHT 2013 WINNEBAGO INDUSTRIES, INC.

DFTR	ORIG. DATE
CHKR	ALL DIMENSIONS ARE IN MILLIMETERS
P.E.	FIRST USED
M.E.	14 325B
DSNR	

UNSPECIFIED TOLERANCES ARE:
 WHOLE DIM (X) : 3
 ONE-PLACE (X.X) : 1.5
 TWO-PLACE (X.XX) : 0.50
 ANGLE : 1°

THIRD ANGLE PROJECTION

DO NOT SCALE DRAWING REFER TO ES0018 FOR FASTENER TIGHTENING GUIDELINES

TITLE: **WIRING INSTL-BODY, 12V**

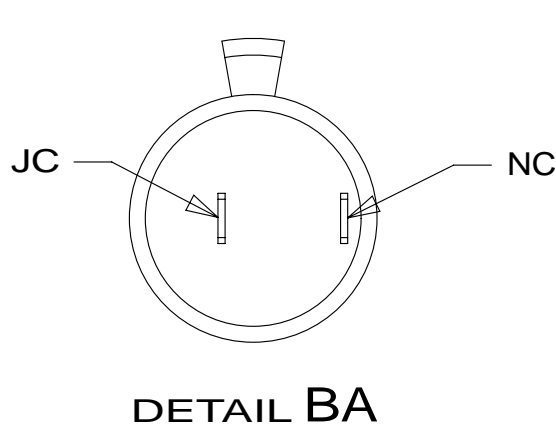
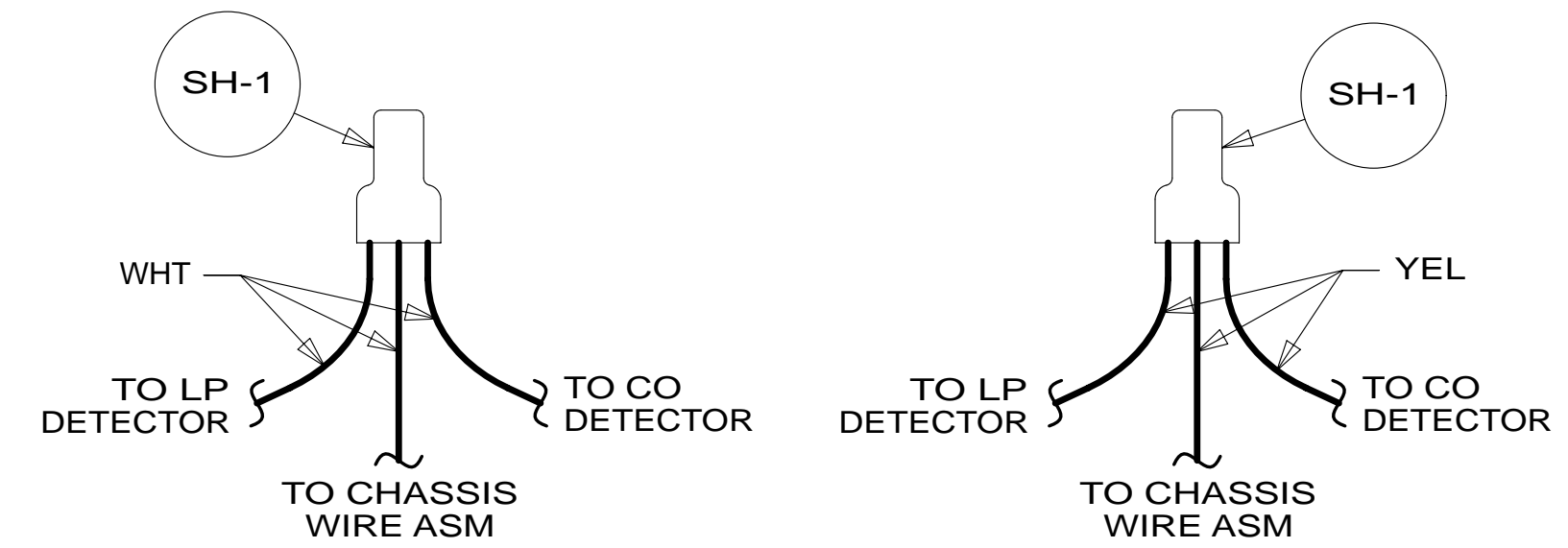
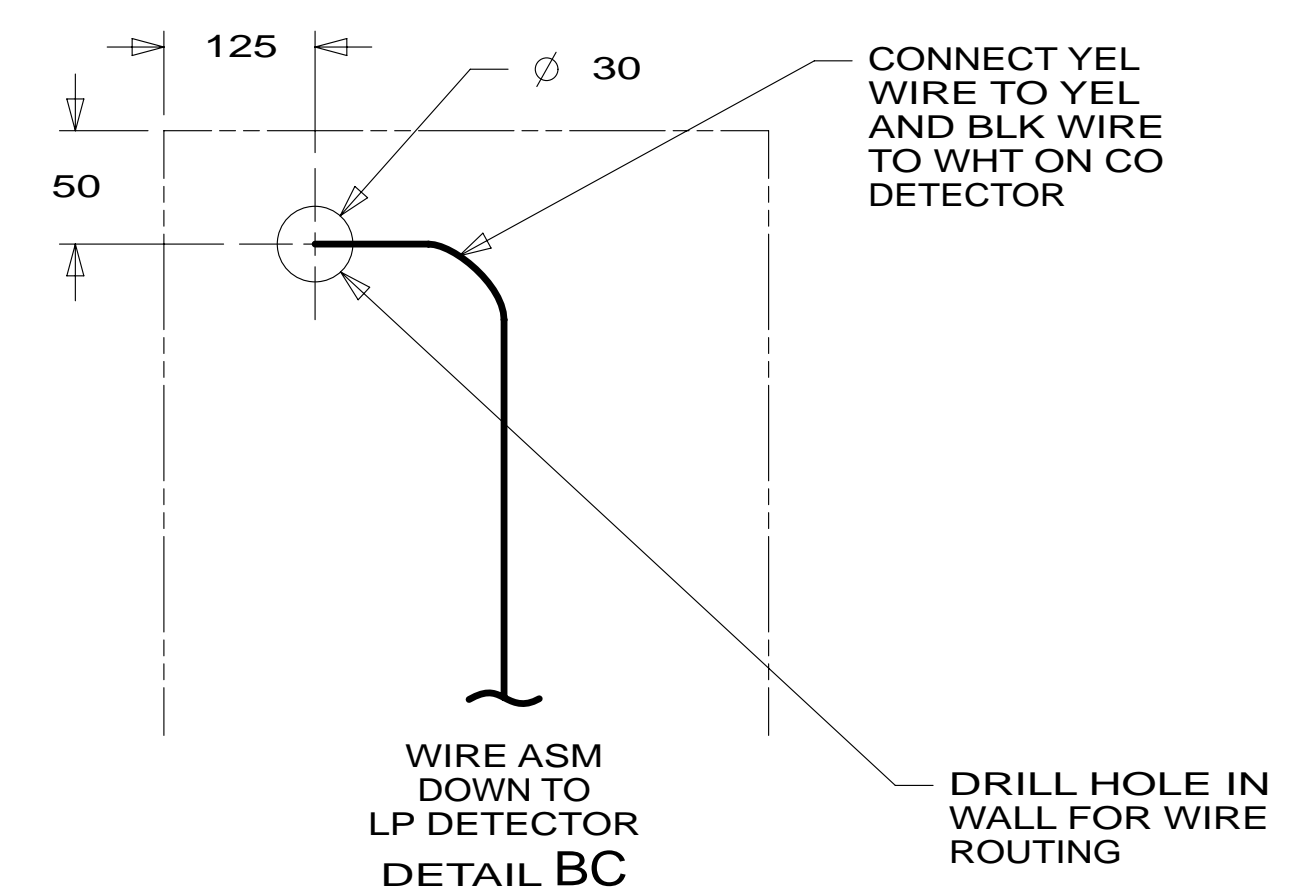
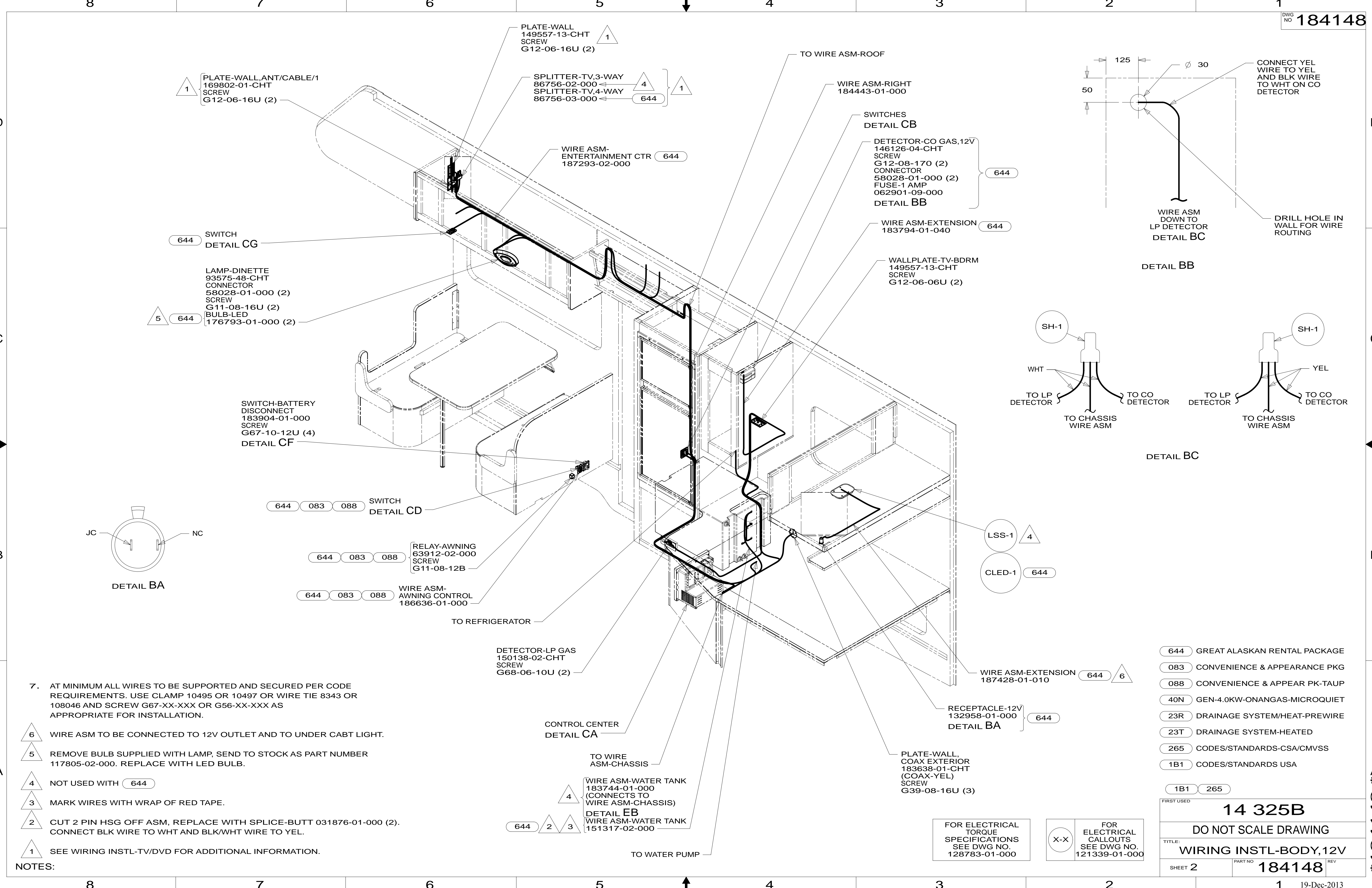
SHEET 1 OF 5 PART NO. **184148** REV

REF: 1 19-Dec-2013

FOR ELECTRICAL TORQUE SPECIFICATIONS SEE DWG NO. 128783-01-000

FOR ELECTRICAL CALLOUTS SEE DWG NO. 121339-01-000

* 184148 * A



- NOTES:
- 7. AT MINIMUM ALL WIRES TO BE SUPPORTED AND SECURED PER CODE REQUIREMENTS. USE CLAMP 10495 OR 10497 OR WIRE TIE 8343 OR 108046 AND SCREW G67-XX-XXX OR G56-XX-XXX AS APPROPRIATE FOR INSTALLATION.
 - 6 WIRE ASM TO BE CONNECTED TO 12V OUTLET AND TO UNDER CABT LIGHT.
 - 5 REMOVE BULB SUPPLIED WITH LAMP, SEND TO STOCK AS PART NUMBER 117805-02-000. REPLACE WITH LED BULB.
 - 4 NOT USED WITH 644
 - 3 MARK WIRES WITH WRAP OF RED TAPE.
 - 2 CUT 2 PIN HSG OFF ASM, REPLACE WITH SPLICE-BUTT 031876-01-000 (2). CONNECT BLK WIRE TO WHT AND BLK/WHT WIRE TO YEL.
 - 1 SEE WIRING INSTL-TV/DVD FOR ADDITIONAL INFORMATION.

- 644 GREAT ALASKAN RENTAL PACKAGE
- 083 CONVENIENCE & APPEARANCE PKG
- 088 CONVENIENCE & APPEAR PK-TAUP
- 40N GEN-4.0KW-ONANGAS-MICROQUIET
- 23R DRAINAGE SYSTEM/HEAT-PREWIRE
- 23T DRAINAGE SYSTEM-HEATED
- 265 CODES/STANDARDS-CSA/CMVSS
- 1B1 CODES/STANDARDS USA

FOR ELECTRICAL TORQUE SPECIFICATIONS SEE DWG NO. 128783-01-000

FOR ELECTRICAL CALLOUTS SEE DWG NO. 121339-01-000

FIRST USED

14 325B

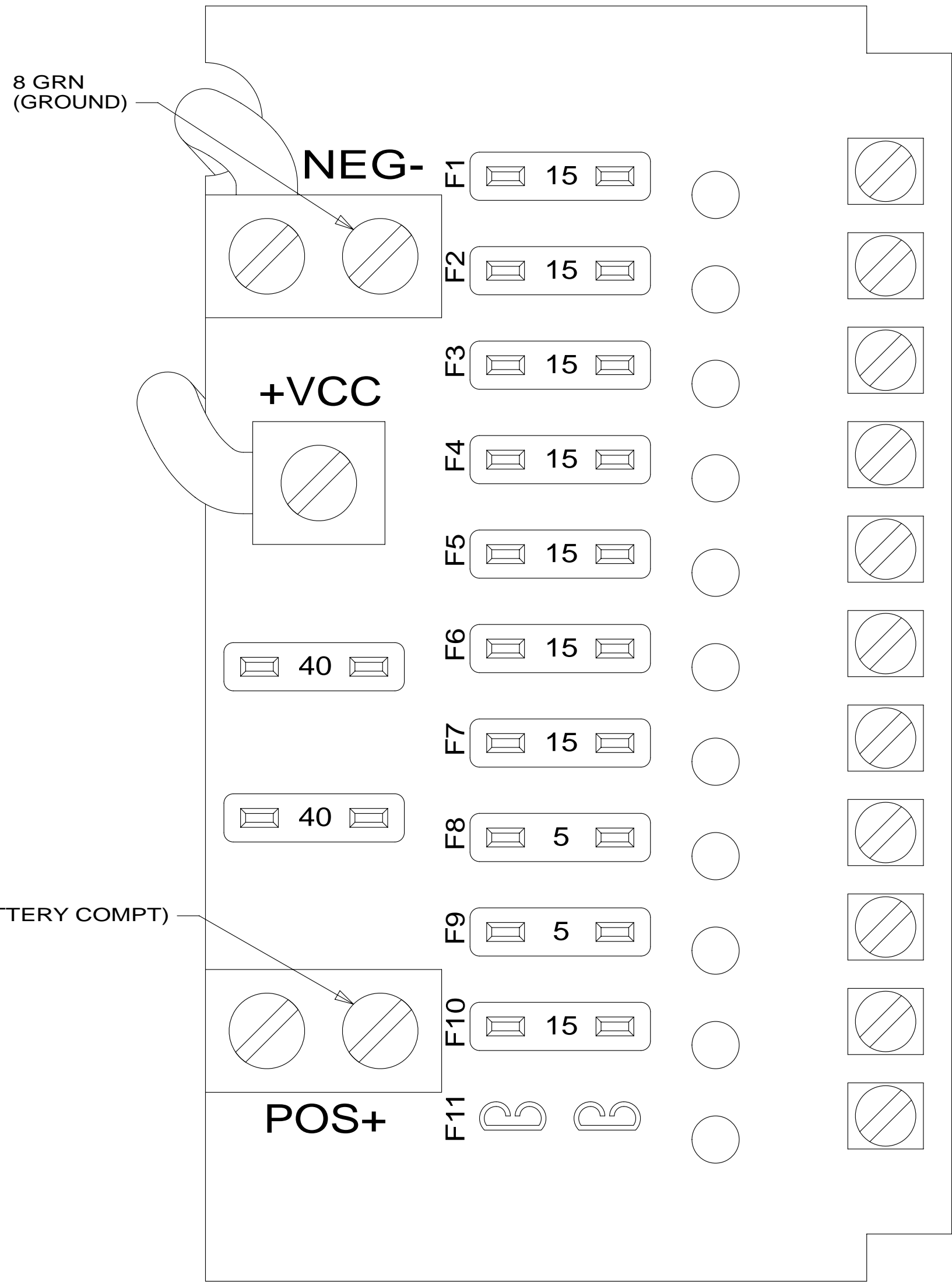
DO NOT SCALE DRAWING

TITLE: **WIRING INSTL-BODY, 12V**

SHEET 2 PART NO **184148** REV

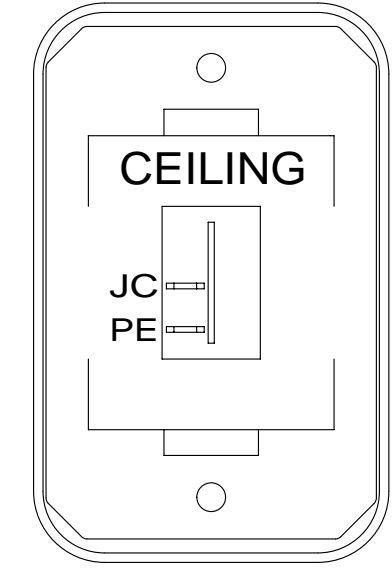
19-Dec-2013

* 184148 * A



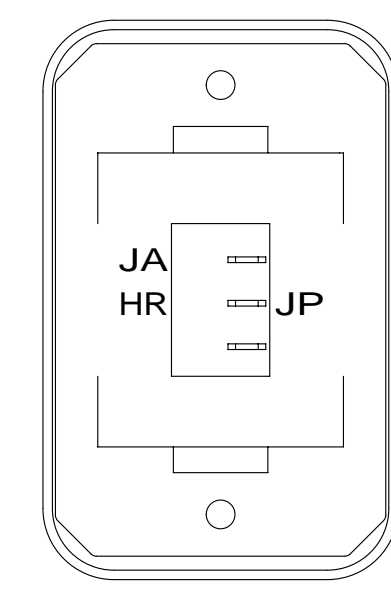
DETAIL CA ¹

- JC
14 YEL
(LAMPS)
- JD
14 YEL
(LAMPS)
- JE
14 YEL
(LAMPS)
- NM
14 YEL ^{23T}
(HEATED TANKS)
- JA
12 YEL
(MONITOR PANEL & PUMP)
(ISOLATED CIRCUIT)
- JB
14 YEL
(FURNACE)
- FFD
12 YEL
(AWNING)
- WB
16 YEL
(LP LEAK DETECTOR)
- ET
16 YEL
(REFRIG)
- JF
14 YEL
(TV/RADIO) ⁶⁴⁴



DETAIL CC

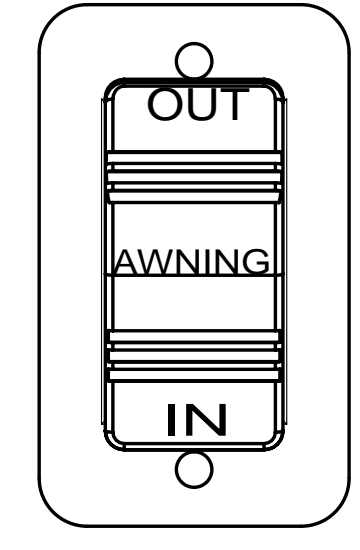
- SWITCH-ROCKER
135740-01-CHT
- SWITCH-BASE
135741-01-CHT
- SWITCH-BEZEL
135742-07-CHT
- SCREW
G11-08-08U (2)



HOLDING TANK HEATER
TURN OFF When Not In Use
SEE OPERATORS MANUAL

DETAIL CE ^{23T} ^{23R}

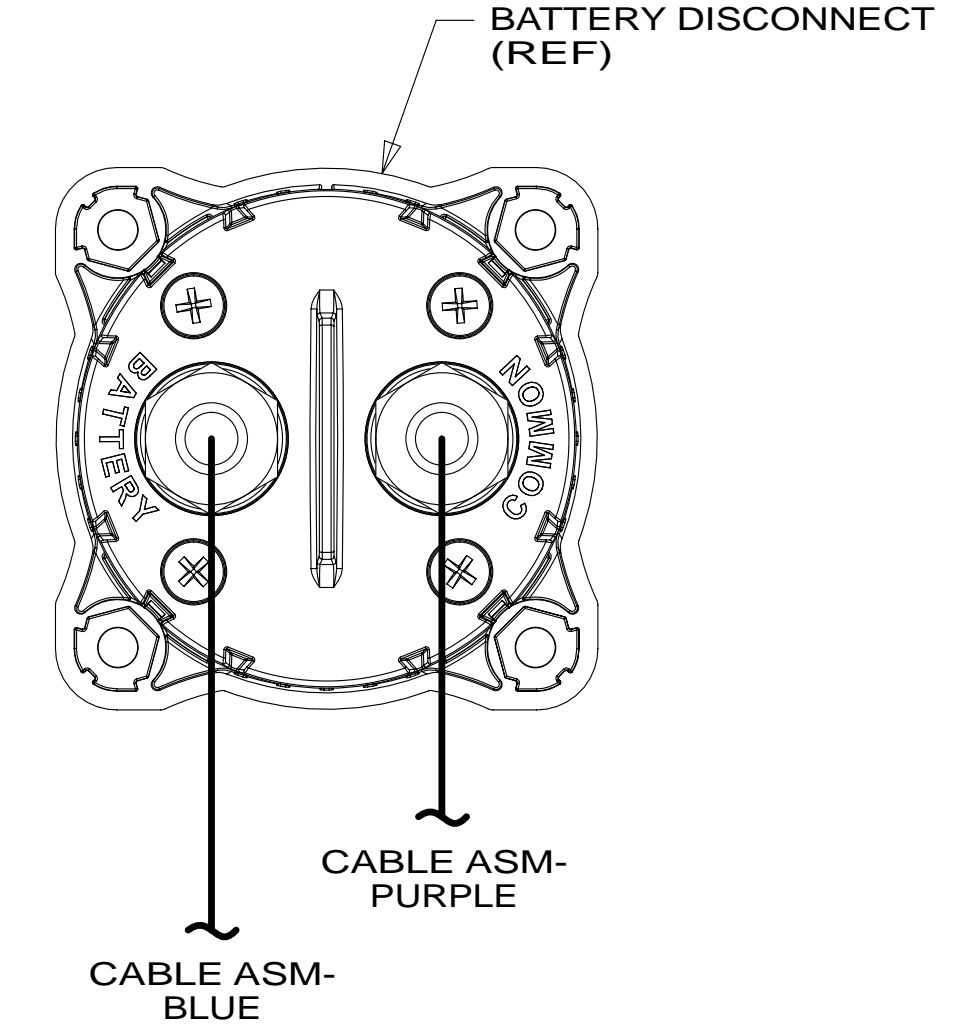
- SWITCH-BLANK
138253-01-CHT
- SWITCH-ROCKER
135740-06-CHT
- SWITCH-BASE
135741-01-CHT
- SWITCH-BEZEL
135742-01-CHT
- SCREW
G-11-08-08U (2)
- LABEL-SWITCH
134563-01-CHT



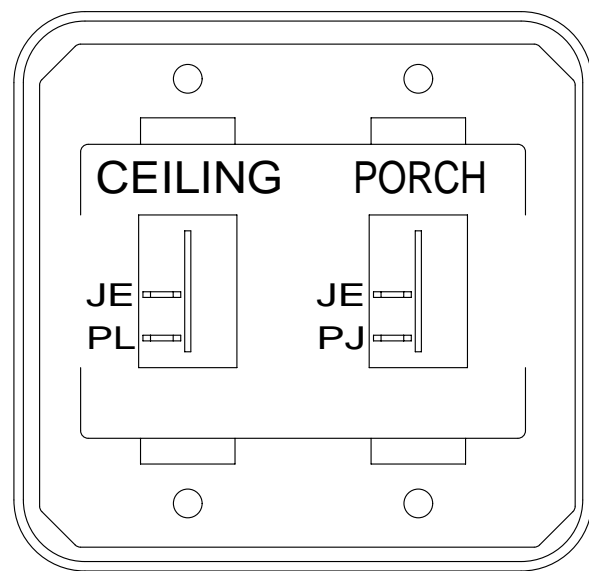
DETAIL CD

- SWITCH-ROCKER
108357-06-000
- ACTUATOR
108356-12-000
- SWITCH-BLANK
096241-03-000
- PLATE-SWITCH
098351-07-CHT
- SCREW
G11-06-10U (2)

- ⁰⁸⁸ ⁰⁸³ ⁶⁴⁴
- ^{52F}

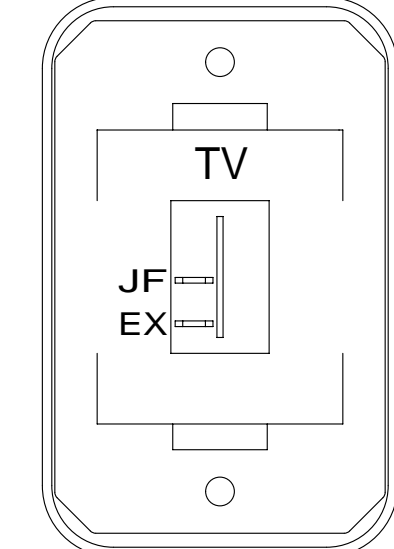


DETAIL CF



DETAIL CB

- SWITCH-ROCKER
135740-01-CHT (2)
- SWITCH-BASE
135741-02-CHT
- SWITCH-BEZEL
135742-19-CHT
- SCREW
G11-08-08U (4)



DETAIL CG ⁶⁴⁴

- SWITCH-ROCKER
135740-01-CHT
- SWITCH-BASE
135741-01-CHT
- SWITCH-BEZEL
135742-45-CHT
- SCREW
G11-08-08U (2)

- ⁰⁸⁸ CONVENIENCE & APPEAR PK-TAUP
- ⁰⁸³ CONVENIENCE & APPEARANCE PKG
- ⁶⁴⁴ GREAT ALASKAN RENTAL PACKAGE
- ^{52F} AWNING-PATIO
- ^{23R} DRAINAGE SYSTEM/HEAT-PREWIRE
- ^{23T} DRAINAGE SYSTEM-HEATED
- ²⁶⁵ CODES/STANDARDS-CSA/CMVSS
- ^{1B1} CODES/STANDARDS USA

- ^{1B1} ²⁶⁵

² WITHOUT ^{23T}
OR ^{23R}

¹ FOR REFERENCE ONLY. SEE LOAD CENTER/ATS ASM
FOR ADDITIONAL INFORMATION.

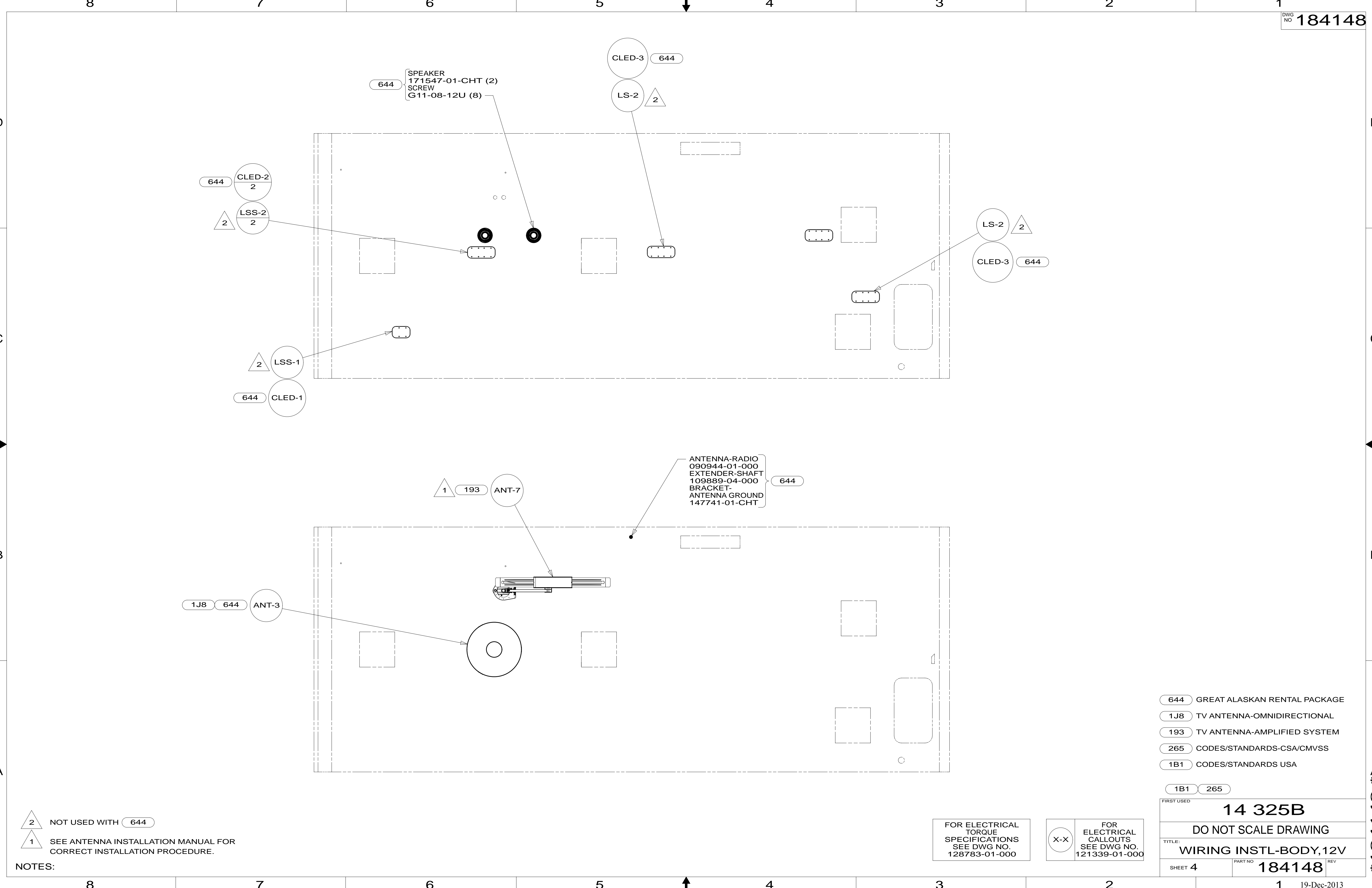
NOTES:

FOR ELECTRICAL
TORQUE
SPECIFICATIONS
SEE DWG NO.
128783-01-000

FOR
ELECTRICAL
CALLOUTS
SEE DWG NO.
121339-01-000

FIRST USED	
14 325B	
DO NOT SCALE DRAWING	
TITLE: WIRING INSTL-BODY, 12V	
SHEET 3	PART NO. 184148 REV

* 184148 * A



NOTES:
 2 NOT USED WITH 644
 1 SEE ANTENNA INSTALLATION MANUAL FOR CORRECT INSTALLATION PROCEDURE.

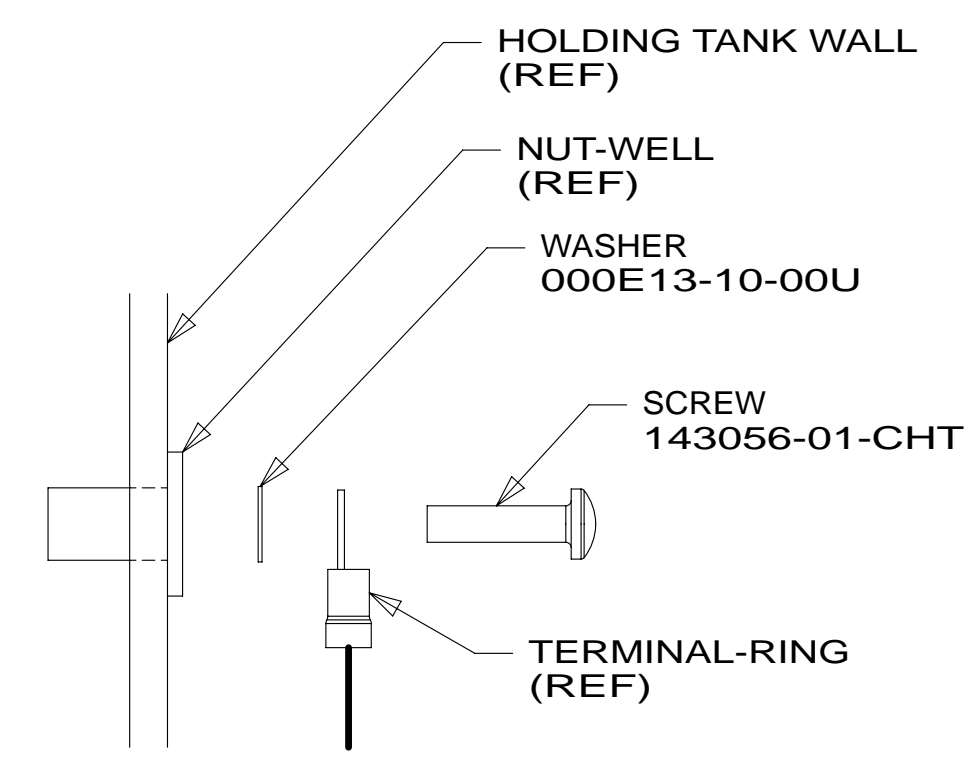
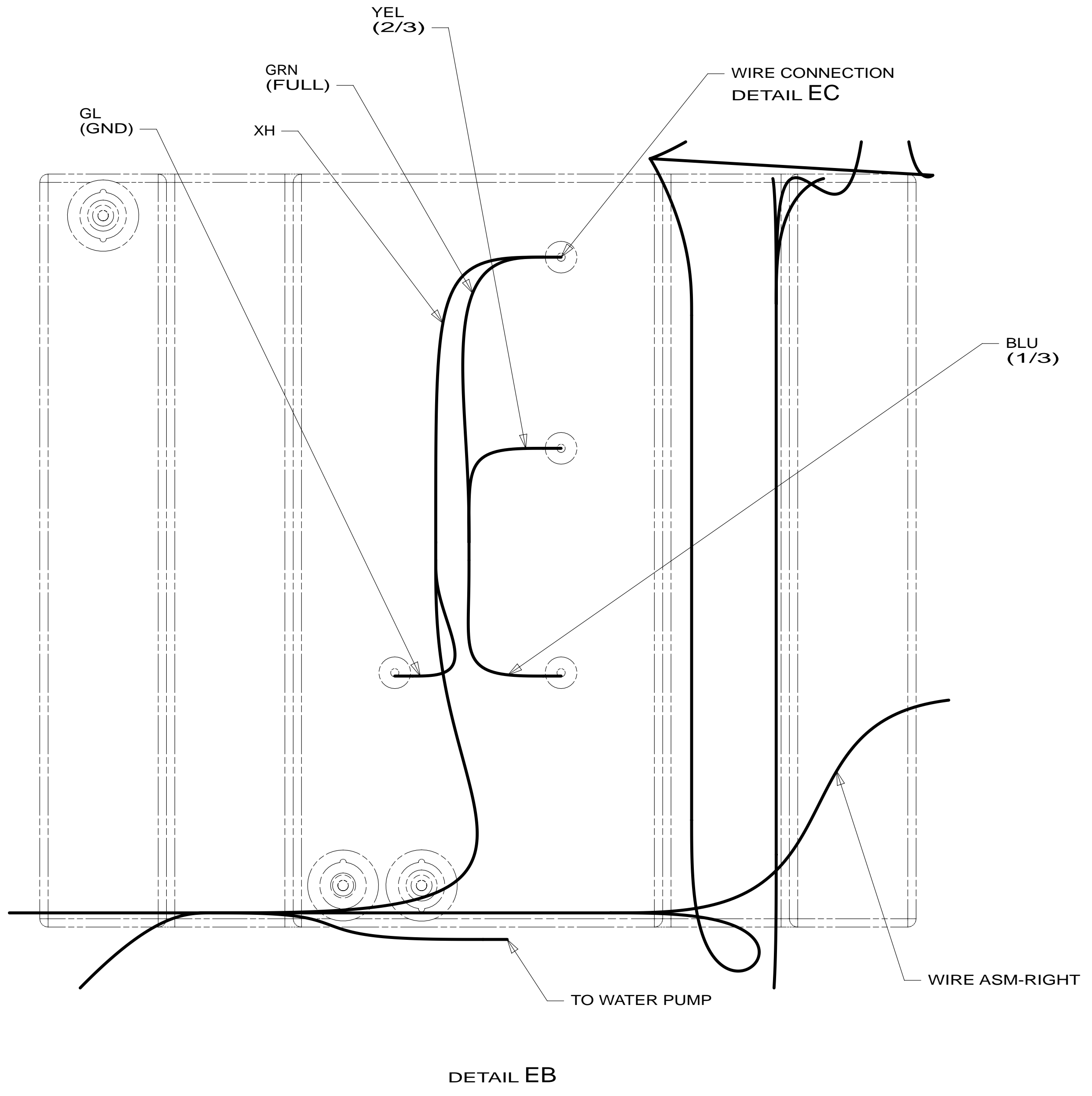
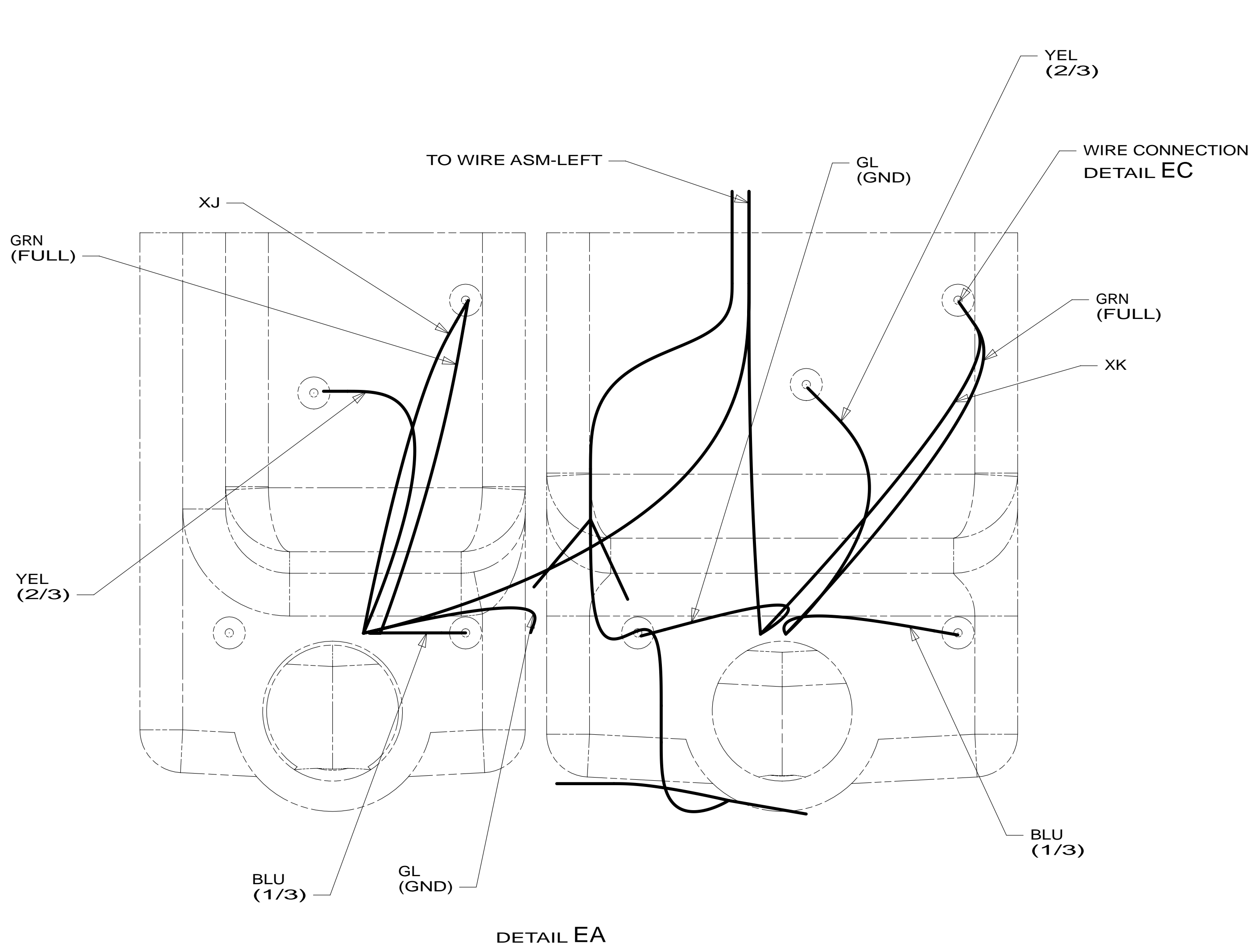
FOR ELECTRICAL TORQUE SPECIFICATIONS SEE DWG NO. 128783-01-000

FOR ELECTRICAL CALLOUTS SEE DWG NO. 121339-01-000

- 644 GREAT ALASKAN RENTAL PACKAGE
- 1J8 TV ANTENNA-OMNIDIRECTIONAL
- 193 TV ANTENNA-AMPLIFIED SYSTEM
- 265 CODES/STANDARDS-CSA/CMVSS
- 1B1 CODES/STANDARDS USA

FIRST USED	14 325B	
TITLE:	DO NOT SCALE DRAWING	
	WIRING INSTL-BODY, 12V	
SHEET 4	PART NO 184148	REV

* 184148 * A



1 TYPICAL WIRE ATTACHMENT AT ALL LEVEL PROBES (4 EACH) FOR WATER, MAIN, AND AUX HOLDING TANKS.

NOTES:

FOR ELECTRICAL TORQUE SPECIFICATIONS SEE DWG NO. 128783-01-000

FOR ELECTRICAL CALLOUTS SEE DWG NO. 121339-01-000

265 CODES/STANDARDS-CSA/CMVSS
 1B1 CODES/STANDARDS USA
 1B1 265

FIRST USED	14 325B	
DO NOT SCALE DRAWING		
TITLE: WIRING INSTL-BODY, 12V		
SHEET 5	PART NO 184148	REV

* 184148 * A