



DANGER

Danger of electrical shock, burns or death. Always remove all power sources before attempting any repair, service or diagnostic work. Power can be present from shore power, generator, inverter or battery. All power sources must be disabled and secured before performing any service.

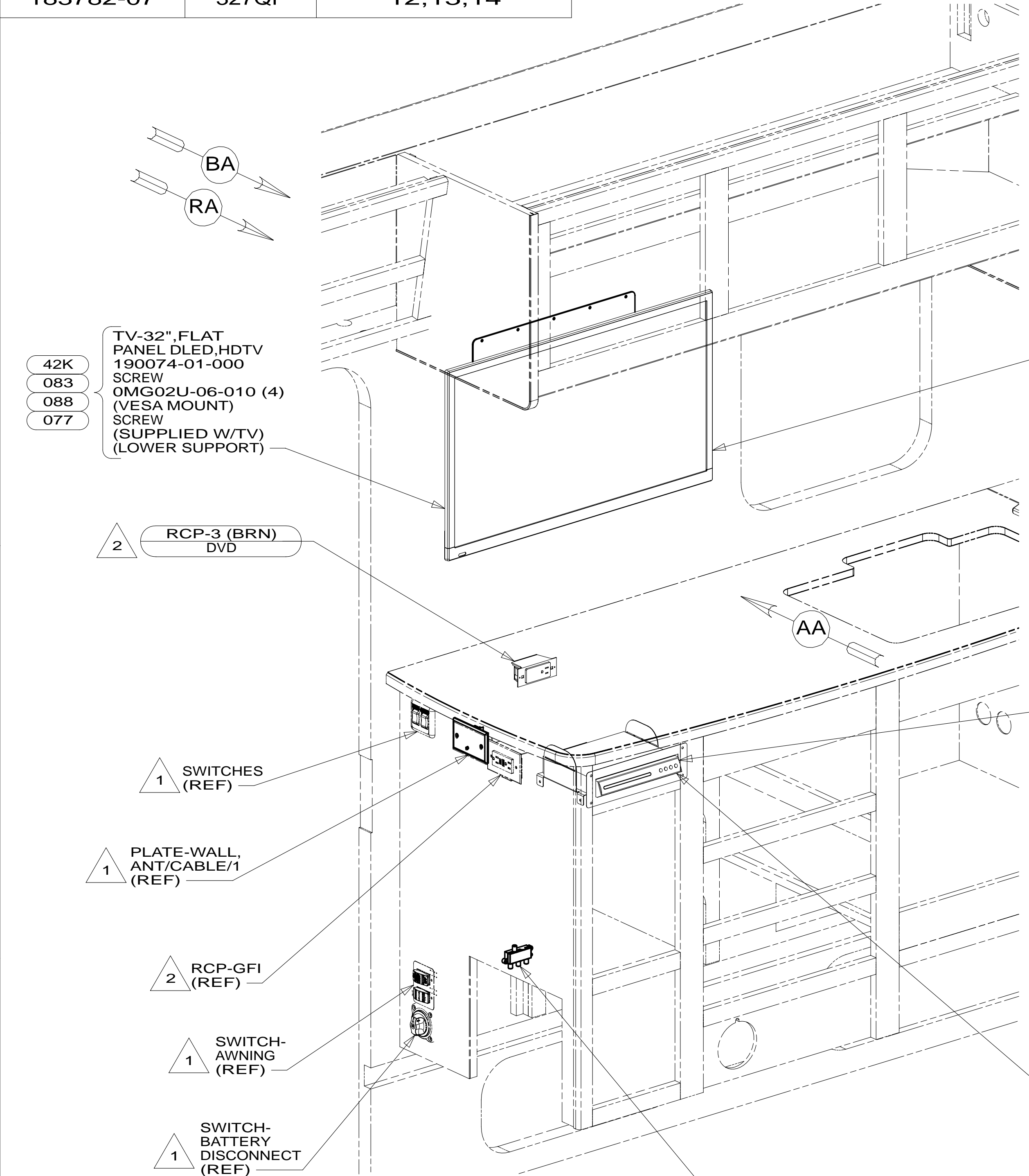


CAUTION

If you lack the skills, tools or equipment to perform diagnostic or repair work leave such work to an authorized Winnebago Industries dealer or other qualified shop.

DRAWING NO.	MODEL	SHEETS
183782-01	331K	1,2,15
183782-02	325B	3,4,15,16
183782-03	322R	4,8,15,17
183782-04	331H/P	3,4,5,6,7,15,16
183782-05	331KP	9,10,11
183782-06	327Q	12,13,15
183782-07	327QP	12,13,14

RELEASE	REV/DATE	DWG NO	183782
REV ZONE	REVISION RECORD	DATE	DFT-ORIG



TV-22", FLAT PANEL LED, HDTV
180602-02-000
SCREW
(SUPPLIED WITH TV)

644

RADIO-AM/FM/CD/DVD/RMT
168408-02-000
BRACKET-DVD PLAYER
156586-11-CHT
SUPPORT-RADIO, REAR
181725-02-CHT
SCREW
G67-10-12U (5)
TRIM RING-RADIO
164740-06-CHT
SCREW
G67-10-12U (4)

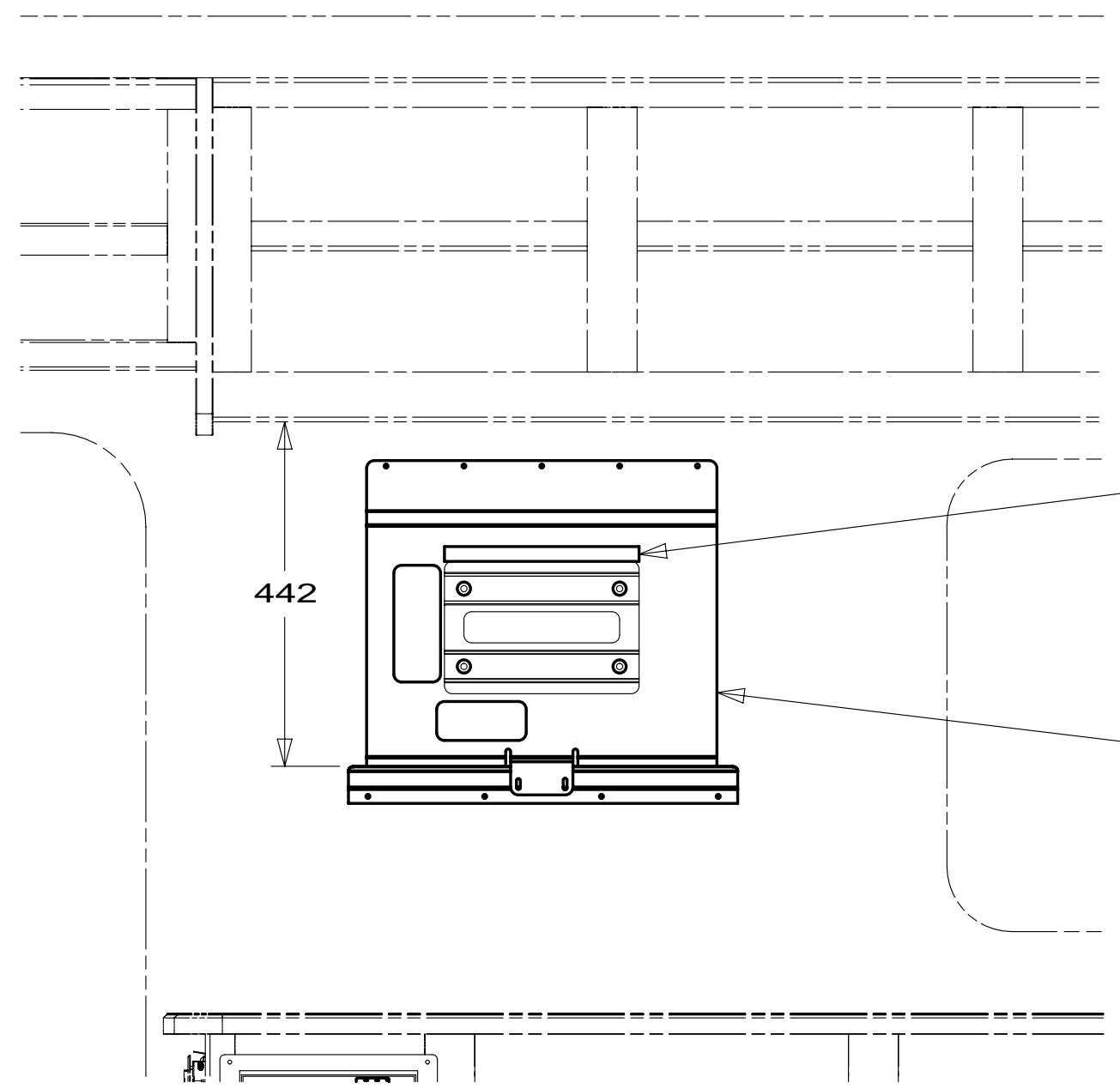
644

DVD PLAYER
183637-01-000
TRIM RING-RADIO
164740-03-CHT
SCREW
000G67-10-12U (4)
BRACKET-DVD PLAYER
156586-11-CHT
SCREW
000G67-10-12U (4)

42K
083
088
077

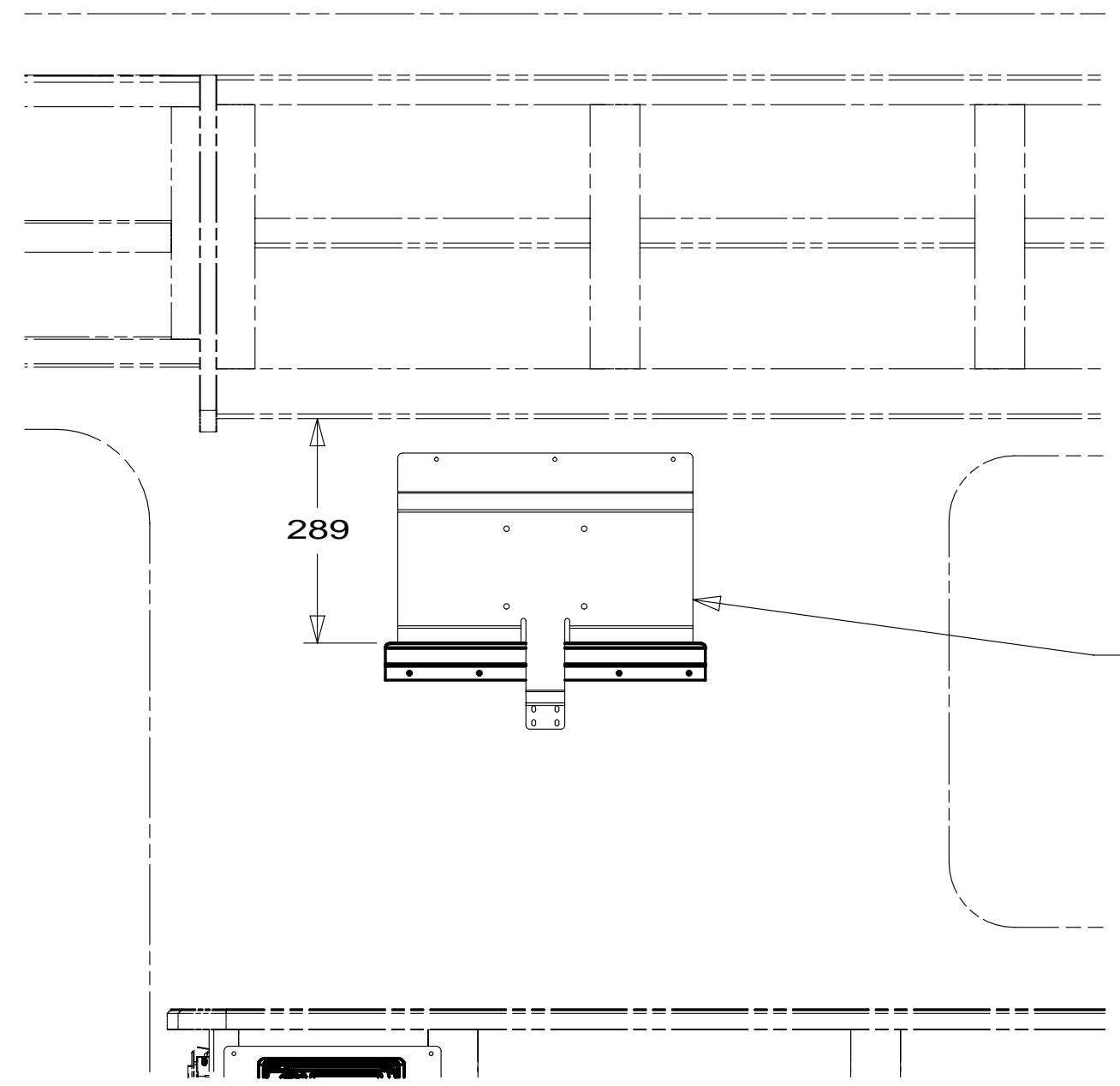
SPLITTER-TV, 3 WAY (REF)

1



VIEW AA
(TV NOT SHOWN)

42K
083
088
077



VIEW AA
(TV NOT SHOWN)

644

- NOTES:
- 3 TV BRACKET AND CLIP TO BE CENTERED ON OVHD CABT. MOUNT CLIP AT DIMENSION SHOWN TO TOP EDGE OF CLIP.
 - 2 SEE WIRING INSTL-BODY, 110V FOR ADDITIONAL INFORMATION.
 - 1 SEE WIRING INSTL-BODY, 12V FOR ADDITIONAL INFORMATION.

4 PREP SURFACE WITH ADHESIVE PROMOTER 87211-01-000.

FOR ELECTRICAL TORQUE SPECIFICATIONS SEE DWG NO. 128783-01-000

FOR ELECTRICAL CALLOUTS SEE DWG NO. 121339-01-000

- 077 CONVEN & APPEAR PK-CHAMPAGNE
- 644 GREAT ALASKAN RENTAL PACKAGE
- 088 CONVENIENCE & APPEAR PK-TAUP
- 083 CONVENIENCE & APPEARANCE PKG
- 42K TV-32" COLOR, STEREO W/REMOTE
- 265 CODES/STANDARDS-CSA/CMVSS
- 1B1 CODES/STANDARDS USA

1B1 265

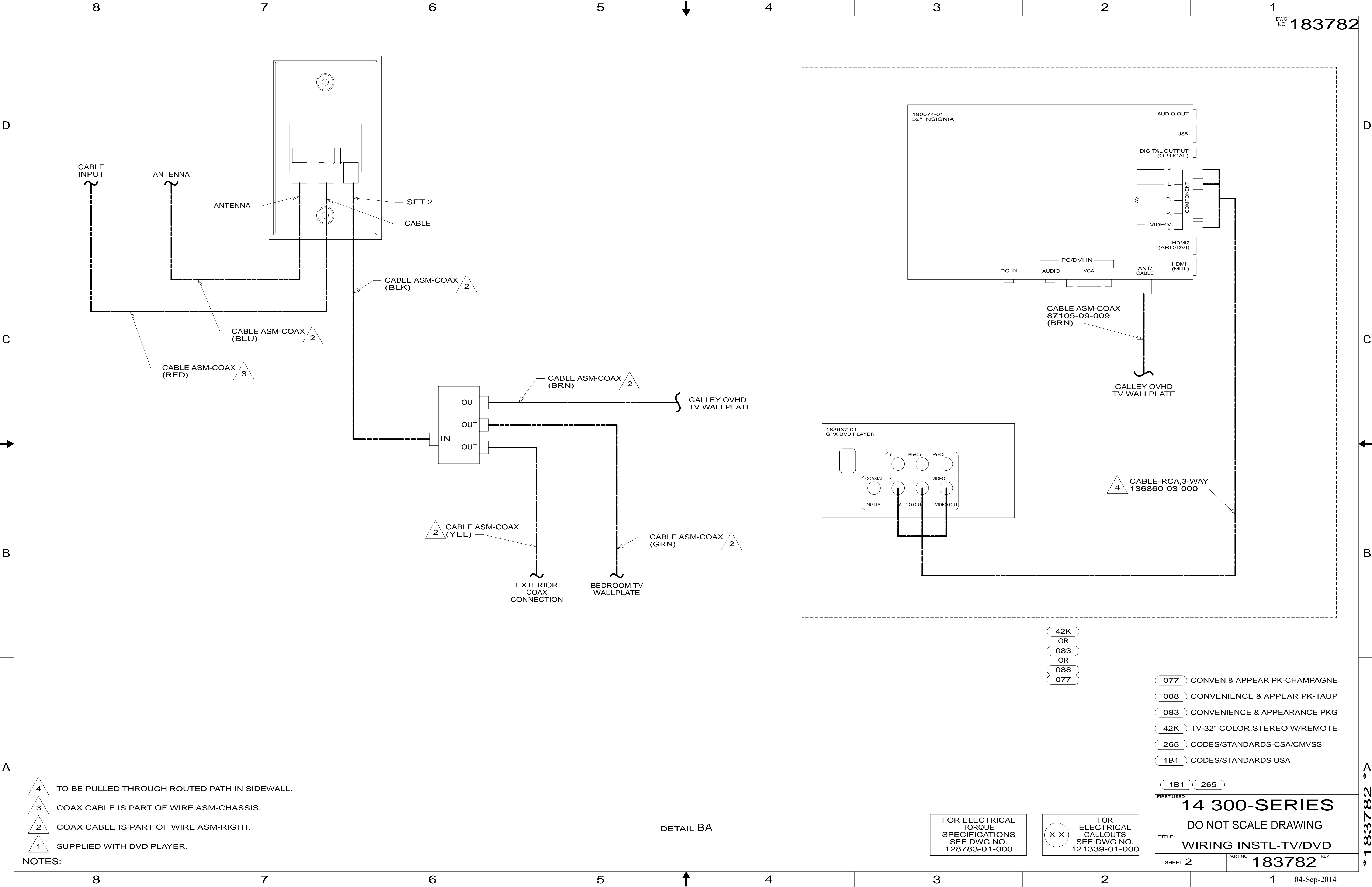
WINNEBAGO

COPYRIGHT 2014 WINNEBAGO INDUSTRIES, INC.

DFT-ORIG	ORIG. DATE
CHKR	ALL DIMENSIONS ARE IN MILLIMETERS
P.E.	FIRST USED
M.E.	14 300-SERIES
DSNR	MATERIAL:
UNSPECIFIED TOLERANCES ARE:	
WHOLE DIM (X)	: ± 1
ONE-PLACE (X.X)	: ± 0.1
TWO-PLACE (X.XX)	: ± 0.05
ANGLE	: ± 0.5
THIRD ANGLE PROJECTION	
DO NOT SCALE DRAWING	REFER TO ES0018 FOR FASTENER TIGHTENING GUIDELINES
TITLE: WIRING INSTL-TV/DVD	
SHEET 1 OF 17	PART NO 183782 REV

REF: 1 04-Sep-2014

* 183782 *



- 4 TO BE PULLED THROUGH ROUTED PATH IN SIDEWALL.
- 3 COAX CABLE IS PART OF WIRE ASM-CHASSIS.
- 2 COAX CABLE IS PART OF WIRE ASM-RIGHT.
- 1 SUPPLIED WITH DVD PLAYER.

NOTES:

DETAIL BA

- 42K
- OR
- 083
- OR
- 088
- OR
- 077

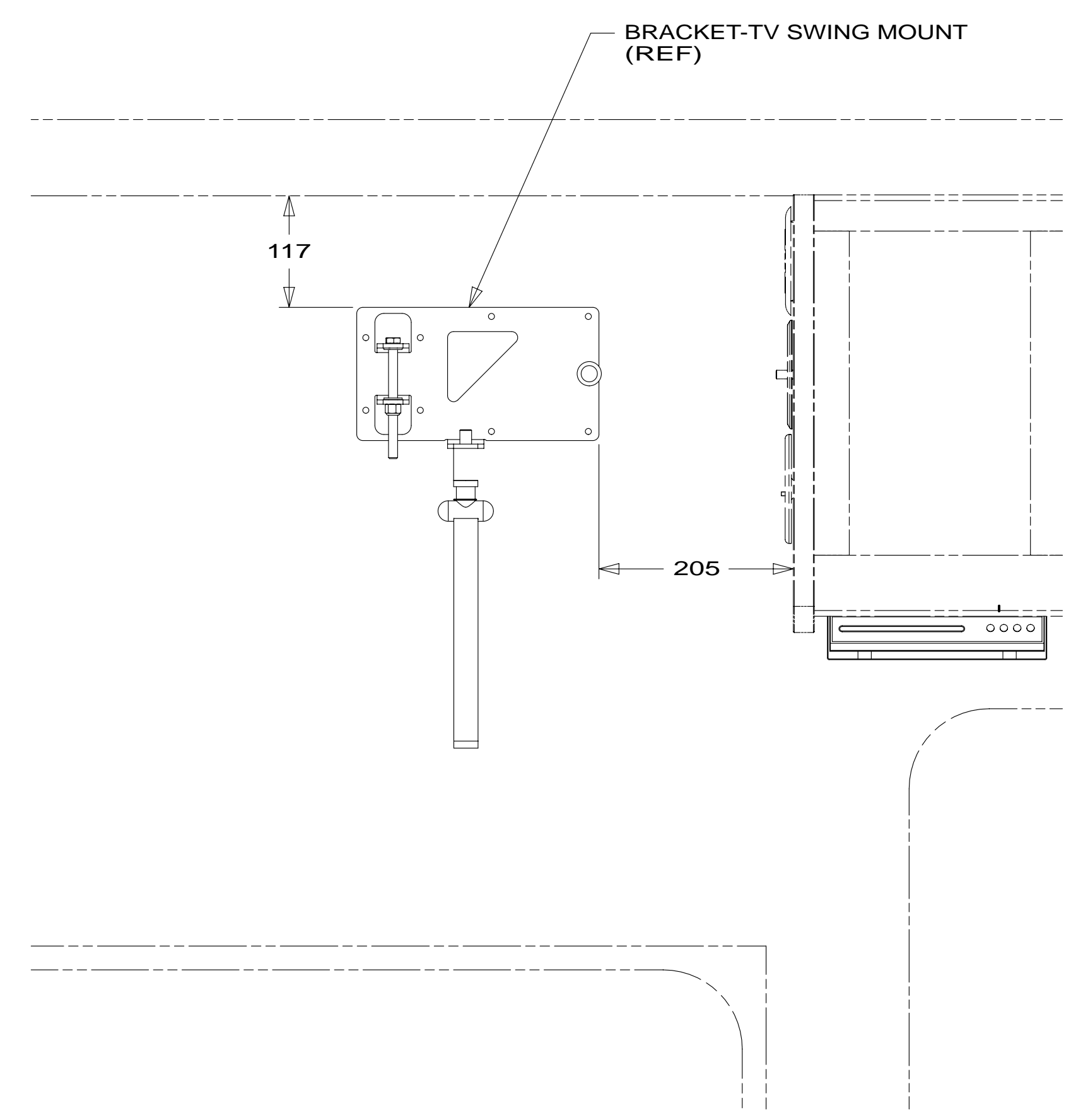
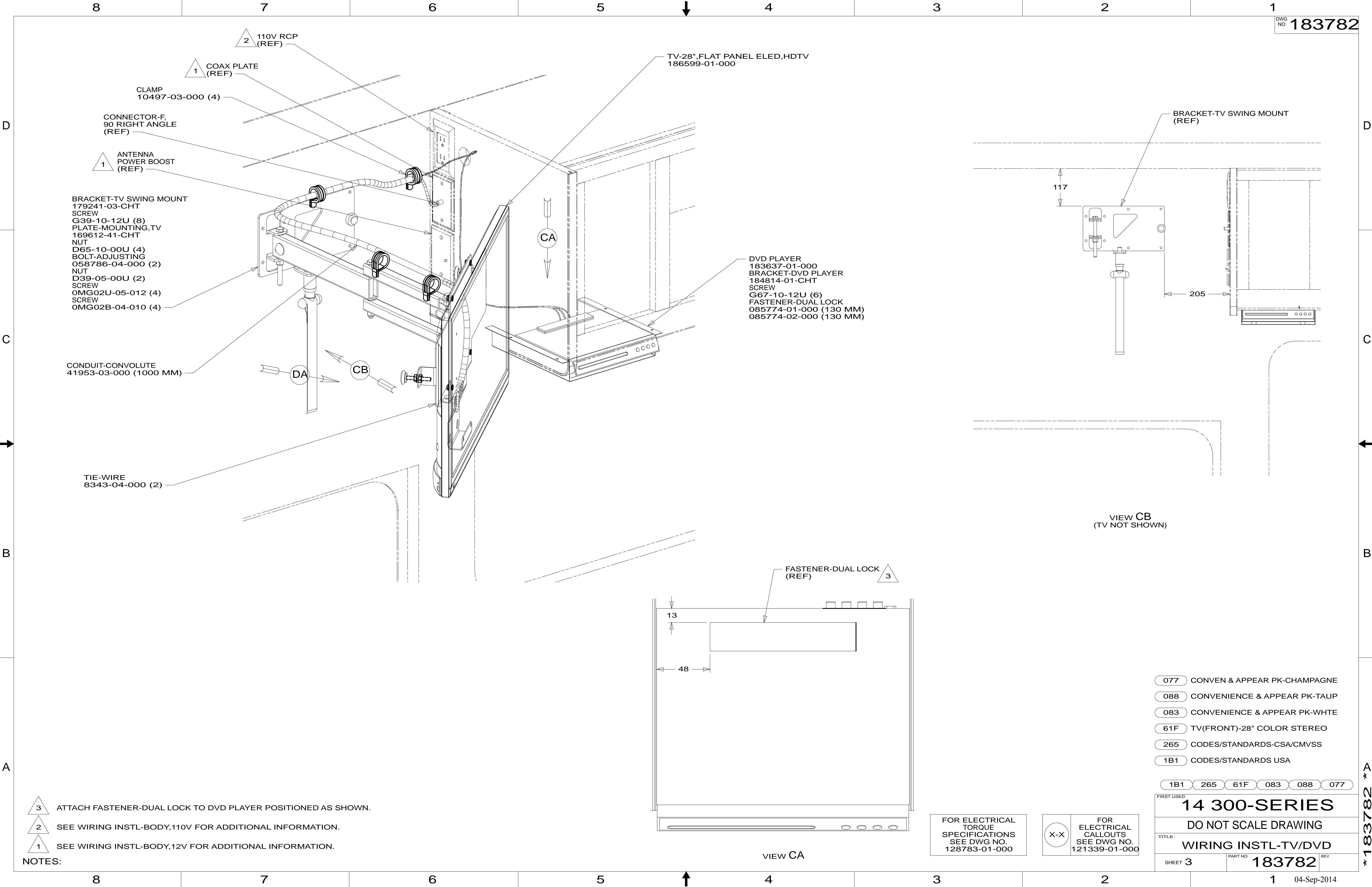
- 077 CONVEN & APPEAR PK-CHAMPAGNE
- 088 CONVENIENCE & APPEAR PK-TAUP
- 083 CONVENIENCE & APPEARANCE PKG
- 42K TV-32" COLOR,STEREO W/REMOTE
- 265 CODES/STANDARDS-CSA/CMVSS
- 1B1 CODES/STANDARDS USA

FIRST USED	
14 300-SERIES	
DO NOT SCALE DRAWING	
TITLE: WIRING INSTL-TV/DVD	
SHEET 2	PART NO 183782 REV

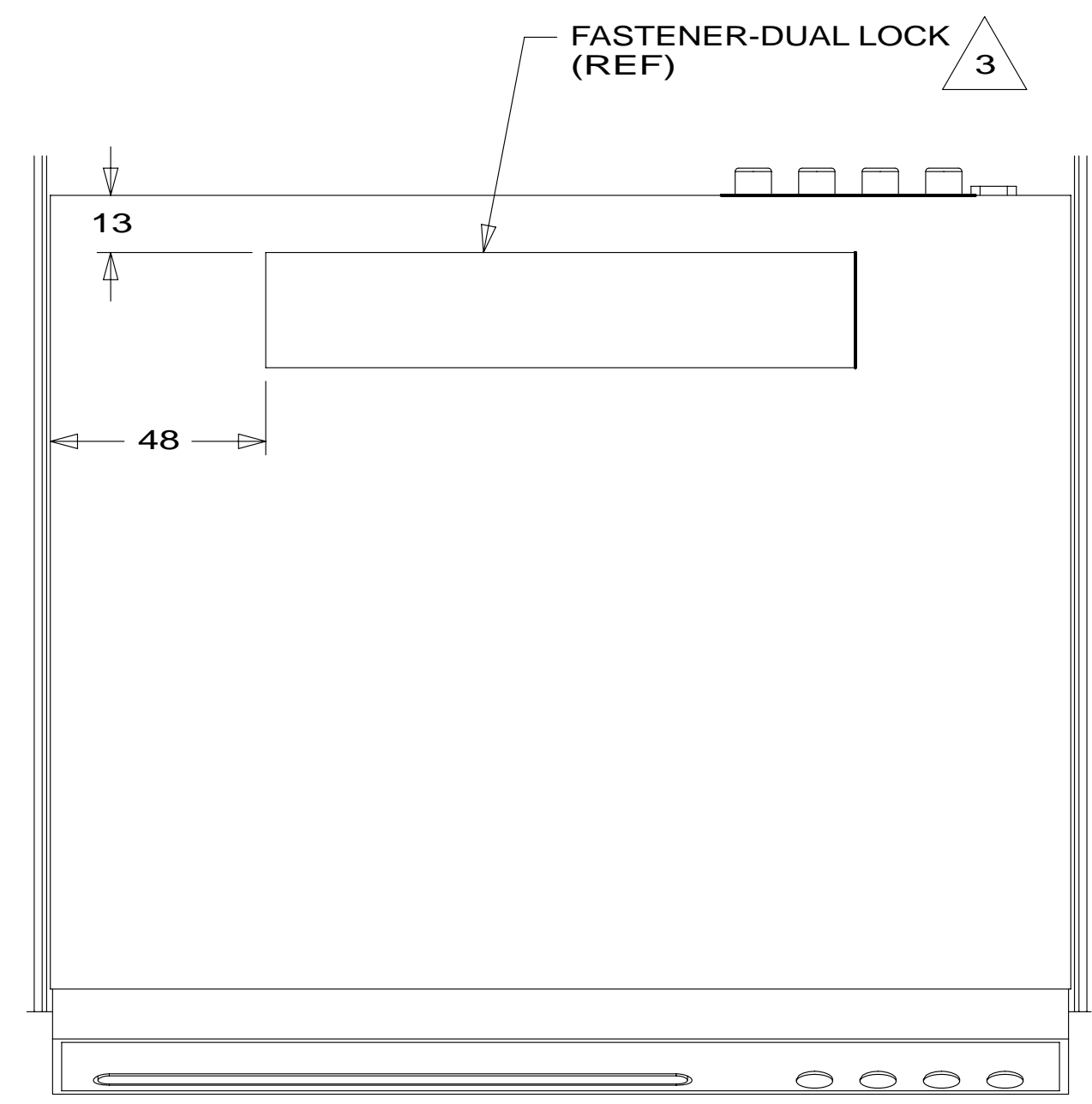
FOR ELECTRICAL TORQUE SPECIFICATIONS SEE DWG NO. 128783-01-000

FOR ELECTRICAL CALLOUTS SEE DWG NO. 121339-01-000

* 183782 * A



VIEW CB
(TV NOT SHOWN)



VIEW CA

- NOTES:
- 3 ATTACH FASTENER-DUAL LOCK TO DVD PLAYER POSITIONED AS SHOWN.
 - 2 SEE WIRING INSTL-BODY, 110V FOR ADDITIONAL INFORMATION.
 - 1 SEE WIRING INSTL-BODY, 12V FOR ADDITIONAL INFORMATION.

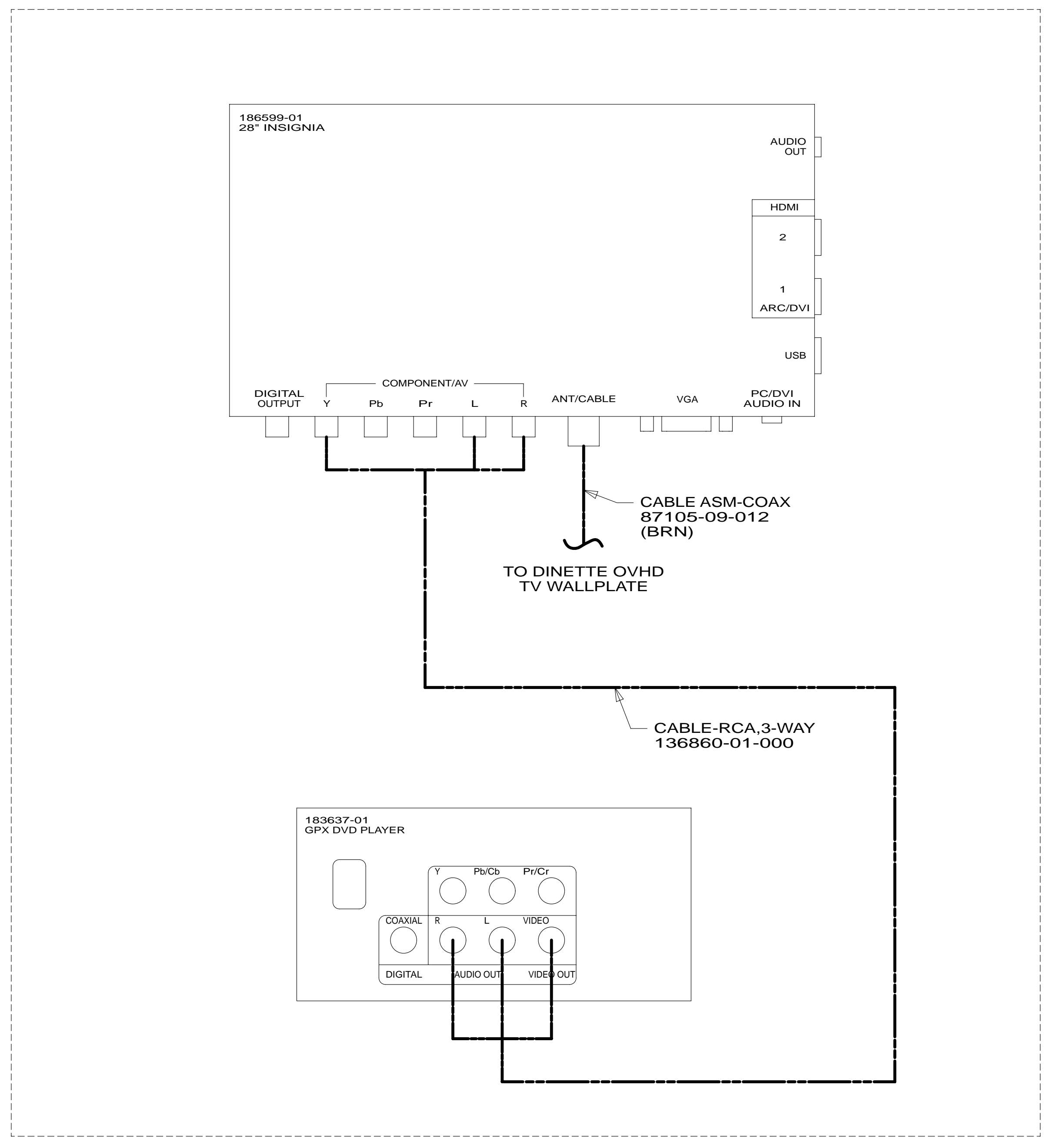
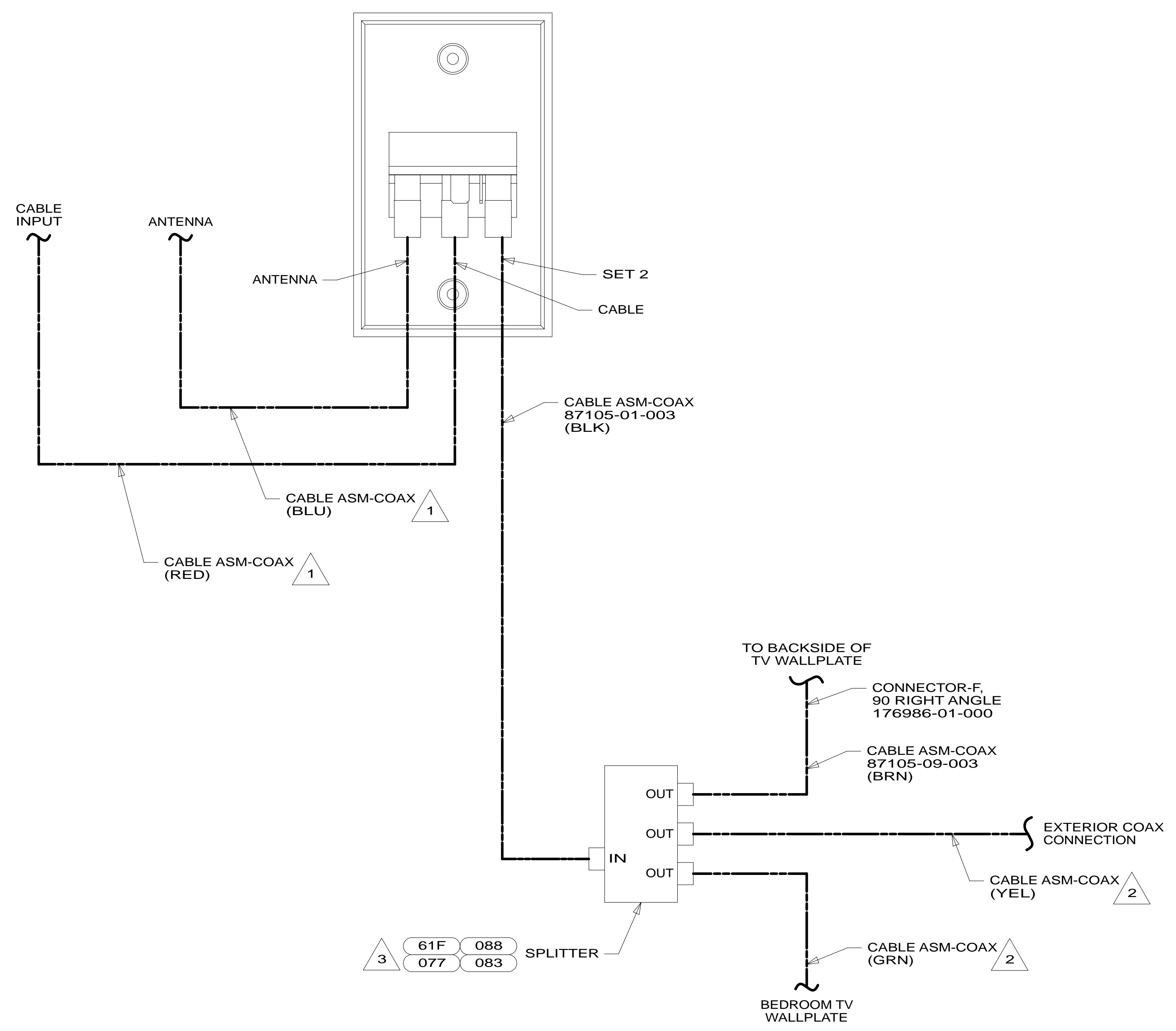
- 077 CONVEN & APPEAR PK-CHAMPAGNE
- 088 CONVENIENCE & APPEAR PK-TAUP
- 083 CONVENIENCE & APPEAR PK-WHTE
- 61F TV(FRONT)-28" COLOR STEREO
- 265 CODES/STANDARDS-CSA/CMVSS
- 1B1 CODES/STANDARDS USA

1B1	265	61F	083	088	077
FIRST USED					
14 300-SERIES					
DO NOT SCALE DRAWING					
TITLE: WIRING INSTL-TV/DVD					
SHEET 3	PART NO	183782		REV	

FOR ELECTRICAL TORQUE SPECIFICATIONS SEE DWG NO. 128783-01-000

FOR ELECTRICAL CALLOUTS SEE DWG NO. 121339-01-000

* 183782 * A



- NOTES:
- 3 SEE WIRING INSTL-BODY, 12V FOR ADDITIONAL INFORMATION.
 - 2 COAX CABLE IS PART OF WIRE ASM-RIGHT.
 - 1 COAX CABLE IS PART OF WIRE ASM-ROOF.

DETAIL DA

FOR ELECTRICAL TORQUE SPECIFICATIONS SEE DWG NO. 128783-01-000

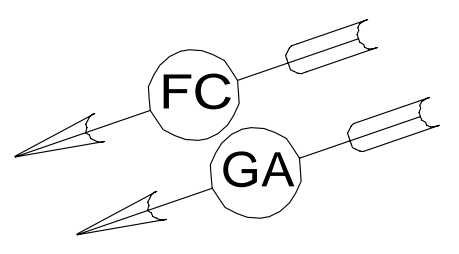
FOR ELECTRICAL CALLOUTS SEE DWG NO. 121339-01-000

- 083 OR 088 OR 61F OR 077

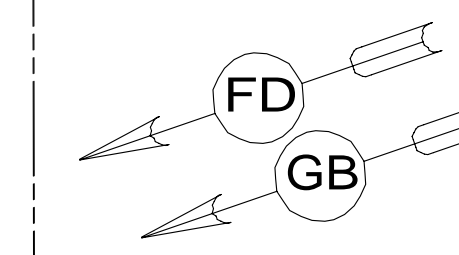
- 077 CONVEN & APPEAR PK-CHAMPAGNE
- 61F TV(FRONT)-28" COLOR STEREO
- 088 CONVENIENCE & APPEAR PK-TAUP
- 083 CONVENIENCE & APPEARANCE PKG
- 265 CODES/STANDARDS-CSA/CMVSS
- 1B1 CODES/STANDARDS USA

FIRST USED	
14 300-SERIES	
DO NOT SCALE DRAWING	
TITLE: WIRING INSTL-TV/DVD	
SHEET 4	PART NO 183782 REV

* 183782 * A

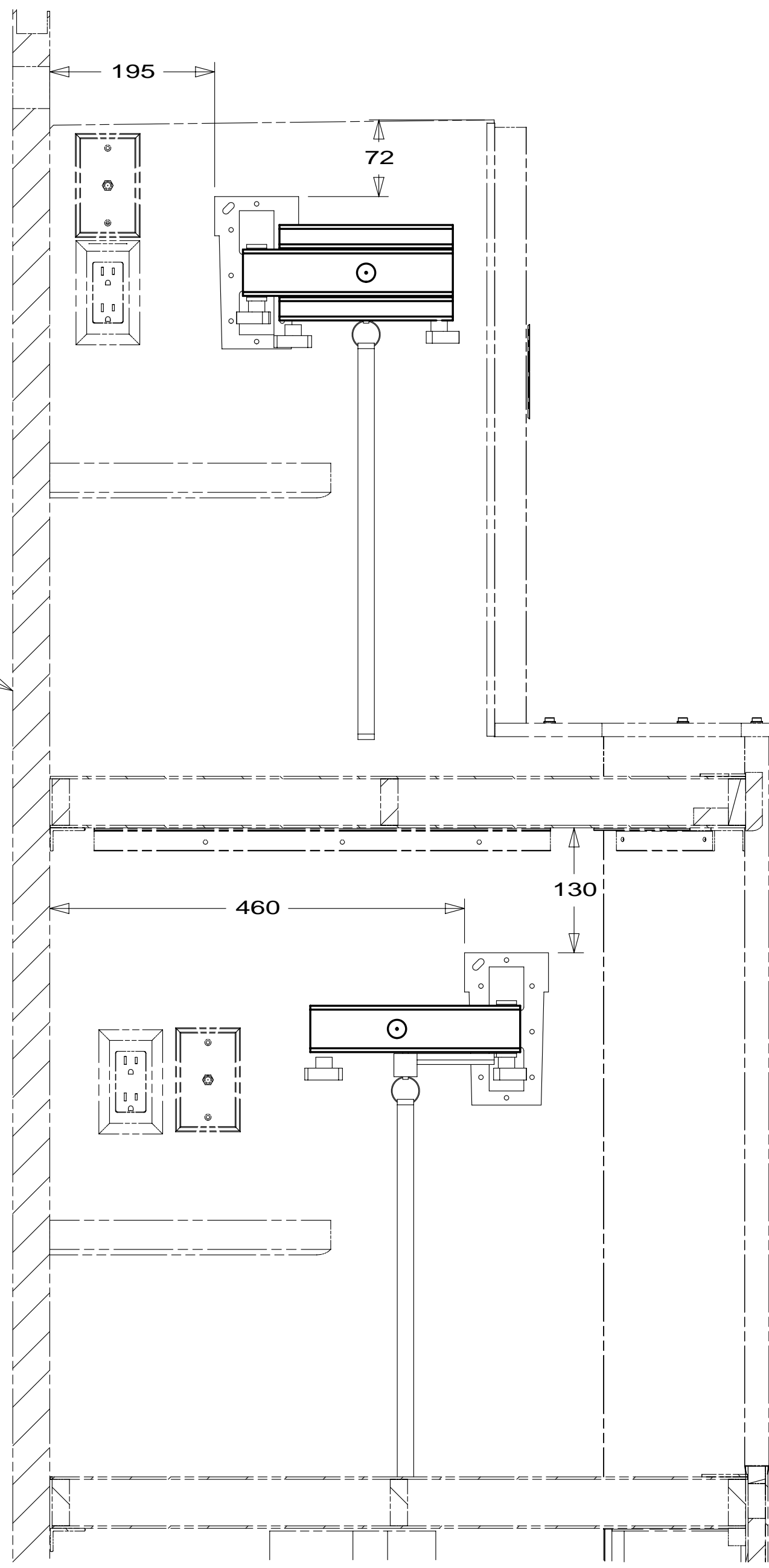


TV-22", FLAT PANEL ELED, HDTV 186900-01-000 BRACKET-TV SWING MOUNT 184721-02-CHT SCREW G67-10-12U (6) PLATE-MOUNTING, TV 169612-39-CHT NUT D65-16-00U SCREW OMG02B-04-010 (4) SCREW SUPPLIED WITH TV (4)



TV-22", FLAT PANEL ELED, HDTV 186900-01-000 BRACKET-TV SWING MOUNT 184721-03-CHT SCREW G67-10-12U (6) PLATE-MOUNTING, TV 169612-39-CHT NUT D65-16-00U SCREW OMG02B-04-010 (4) SCREW SUPPLIED WITH TV

SIDEWALL (REF)



VIEW EA (TVS NOT SHOWN)

- 1JW TV 2-22" BUNK COLOR W/REMOTE
265 CODES/STANDARDS-CSA/CMVSS
1B1 CODES/STANDARDS USA

1B1 265 1JW

14 300-SERIES

DO NOT SCALE DRAWING

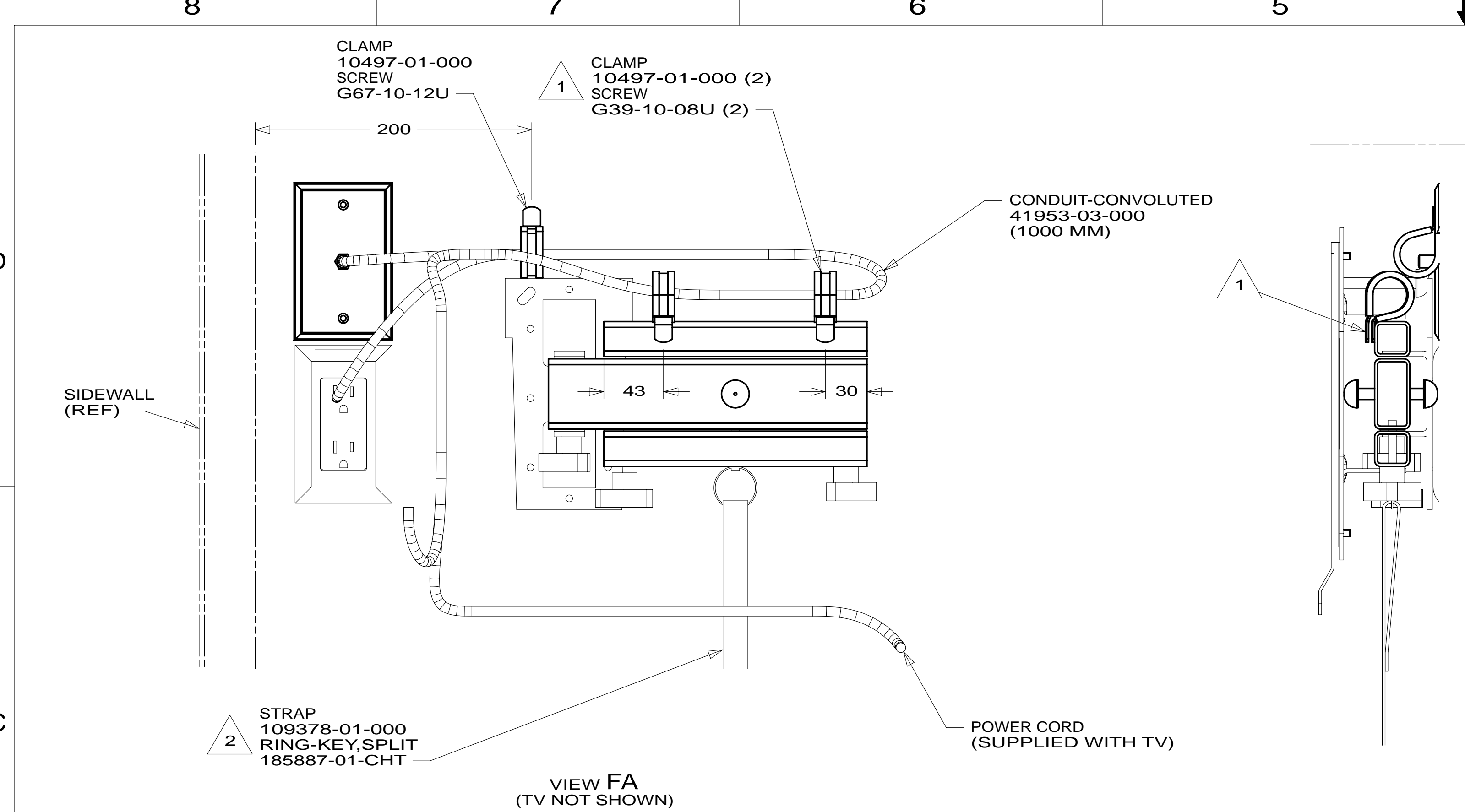
TITLE: WIRING INSTL-TV/DVD

SHEET 5 PART NO 183782 REV

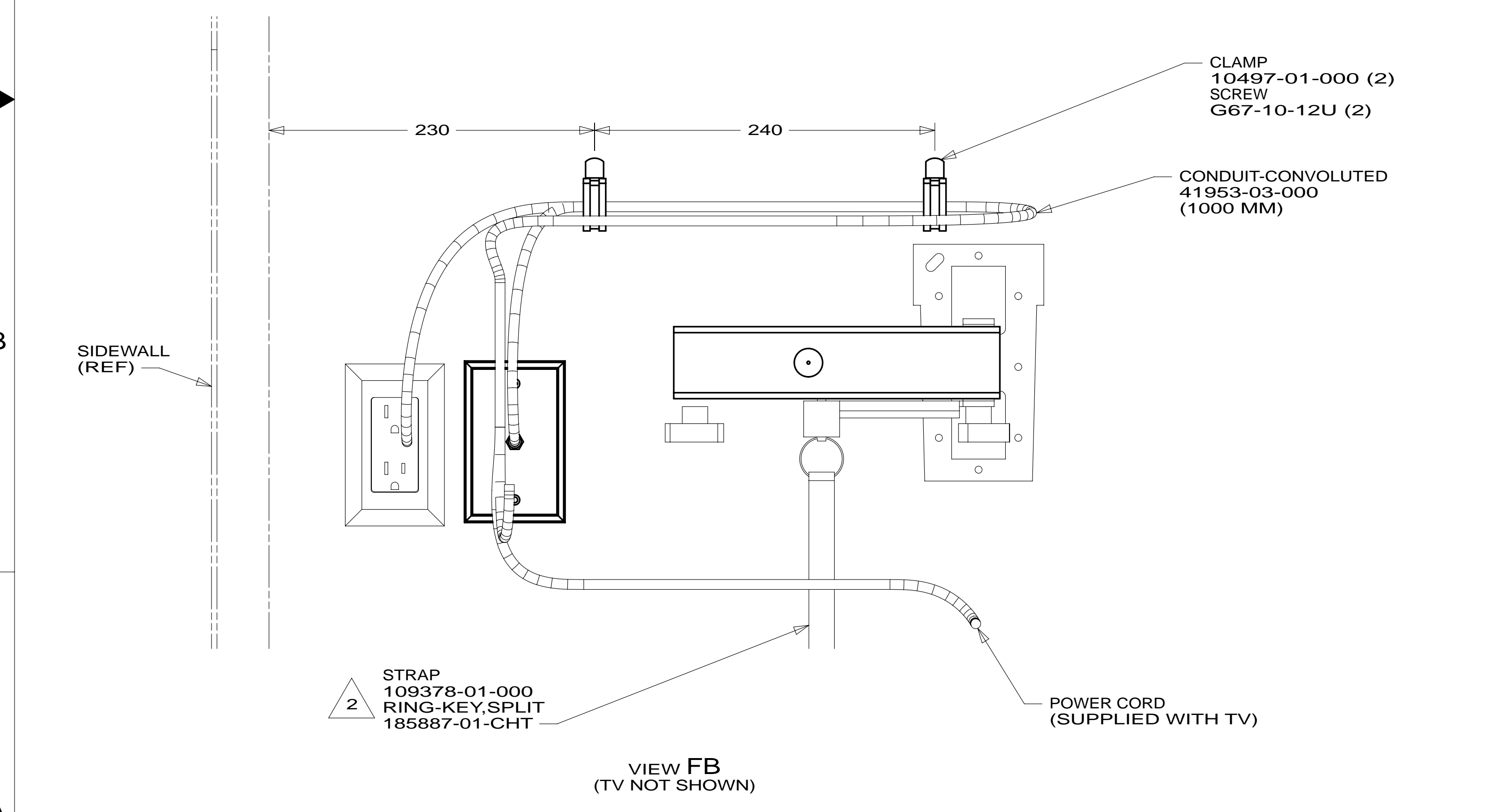
FOR ELECTRICAL TORQUE SPECIFICATIONS SEE DWG NO. 128783-01-000

FOR ELECTRICAL CALLOUTS SEE DWG NO. 121339-01-000

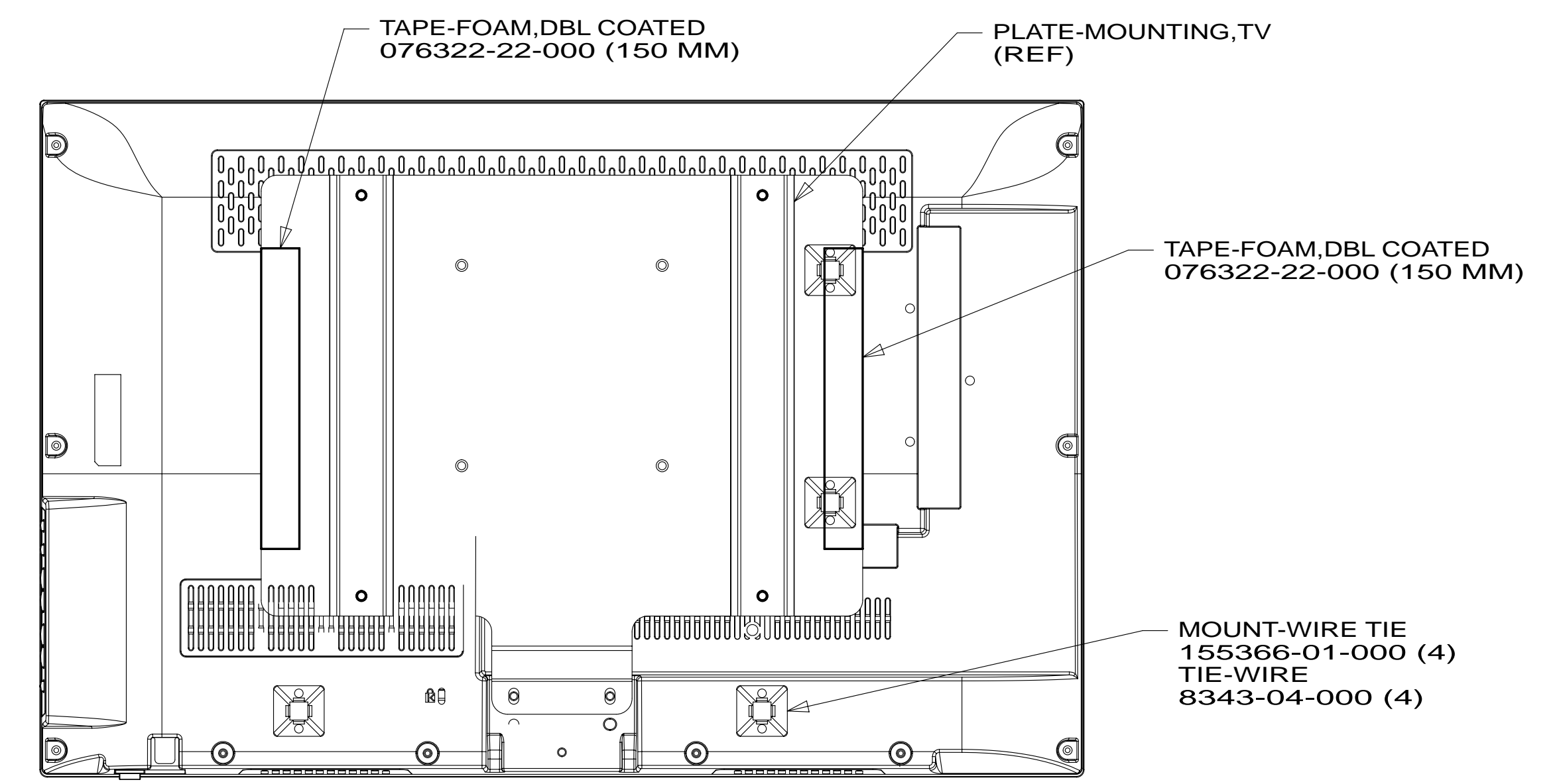
* 183782 * A



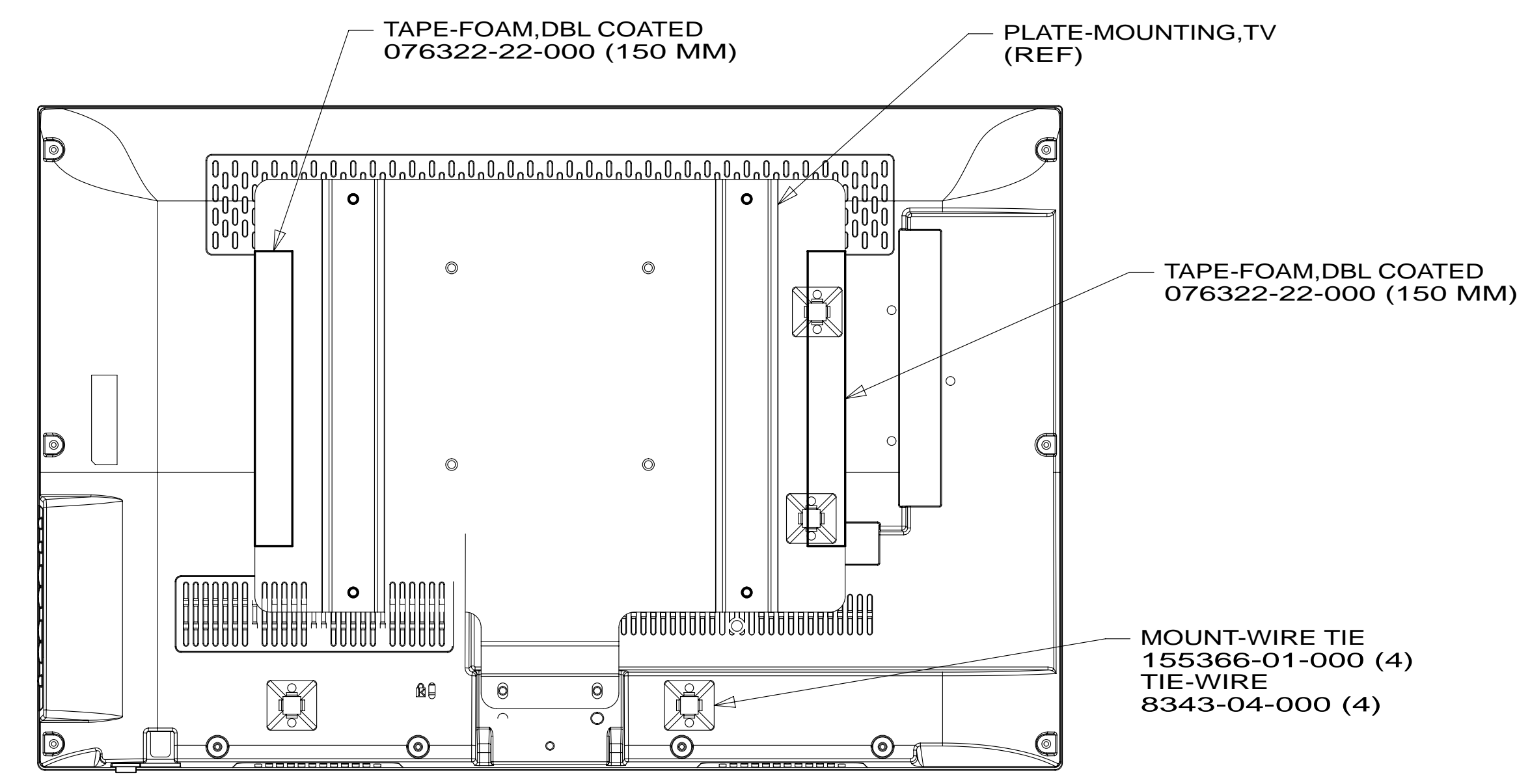
VIEW FA
(TV NOT SHOWN)



VIEW FB
(TV NOT SHOWN)



VIEW FC



VIEW FD

- NOTES:
- 3 APPLY TAPE TO BACK SURFACE OF TV BETWEEN TV AND MOUNTING PLATE.
 - 2 REMOVE AND DISCARD STRAP AND RING PROVIDED WITH TV BRACKET. REPLACE WITH THE STRAP AND RING.
 - 1 MOUNT CLAMP TO SWING ARM AS SHOWN.

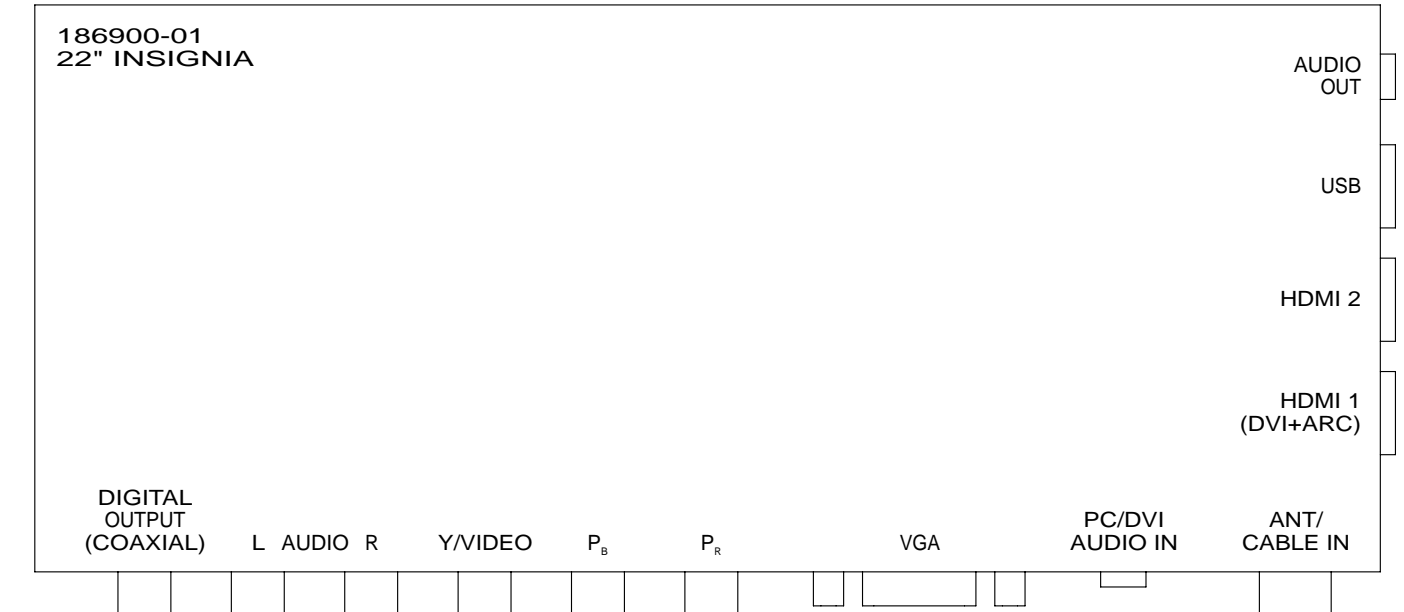
- 1JW TV 2-22" BUNK COLOR W/REMOTE
- 265 CODES/STANDARDS-CSA/CMVSS
- 1B1 CODES/STANDARDS USA

1B1	265	1JW
FIRST USED		
14 300-SERIES		
DO NOT SCALE DRAWING		
TITLE: WIRING INSTL-TV/DVD		
SHEET 6	PART NO. 183782	REV

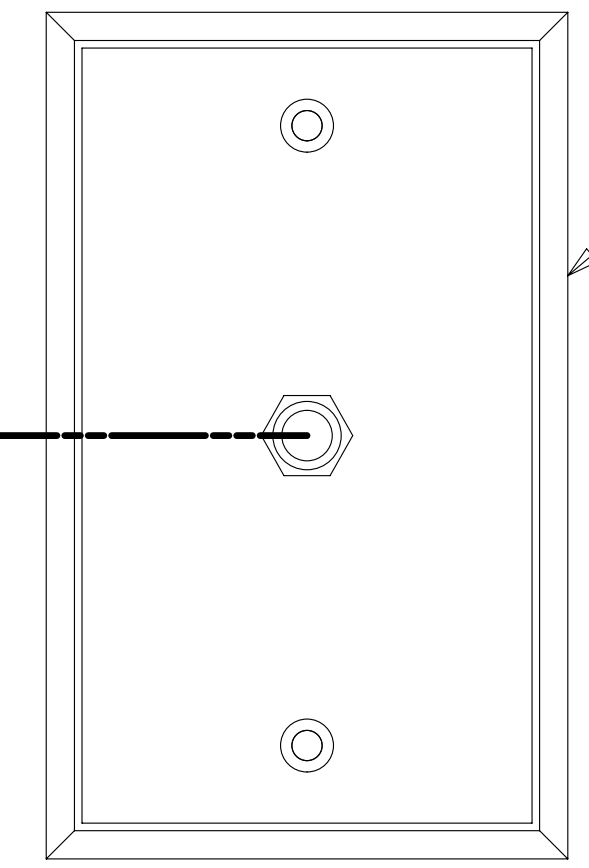
FOR ELECTRICAL TORQUE SPECIFICATIONS SEE DWG NO. 128783-01-000

FOR ELECTRICAL CALLOUTS SEE DWG NO. 121339-01-000

* 183782 * A

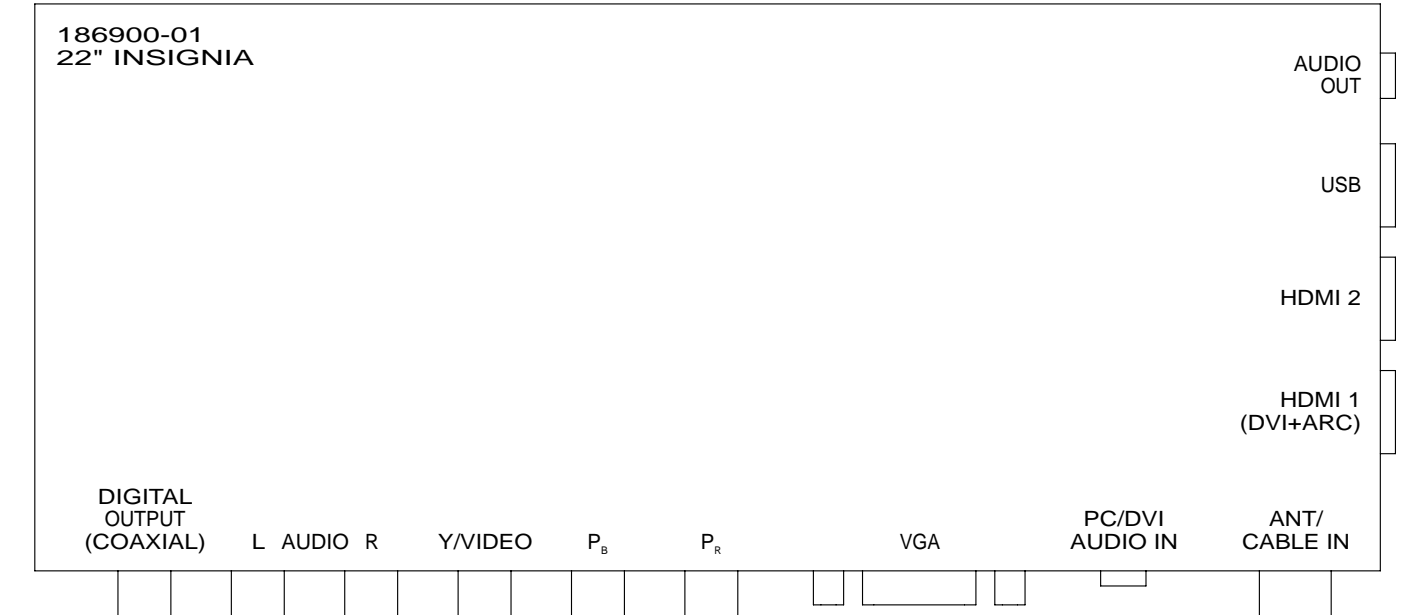


CABLE ASM-COAX
87105-08-015
(PUR)

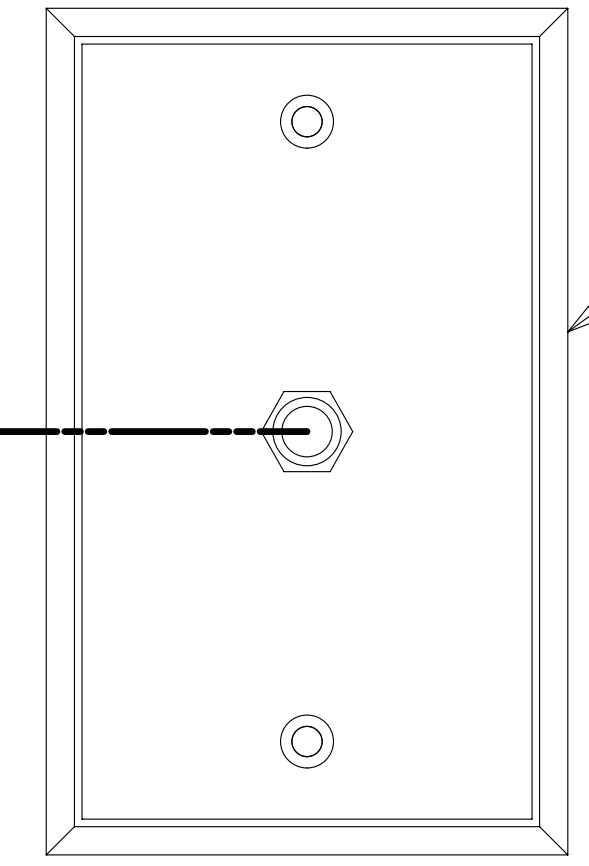


UPPER BUNK
TV WALLPLATE

DETAIL GA



CABLE ASM-COAX
87105-08-015
(PUR)



LOWER BUNK
TV WALLPLATE

DETAIL GB

- 1JW TV 2-22" BUNK COLOR W/REMOTE
- 265 CODES/STANDARDS-CSA/CMVSS
- 1B1 CODES/STANDARDS USA

1B1 265 1JW

FIRST USED
14 300-SERIES

DO NOT SCALE DRAWING

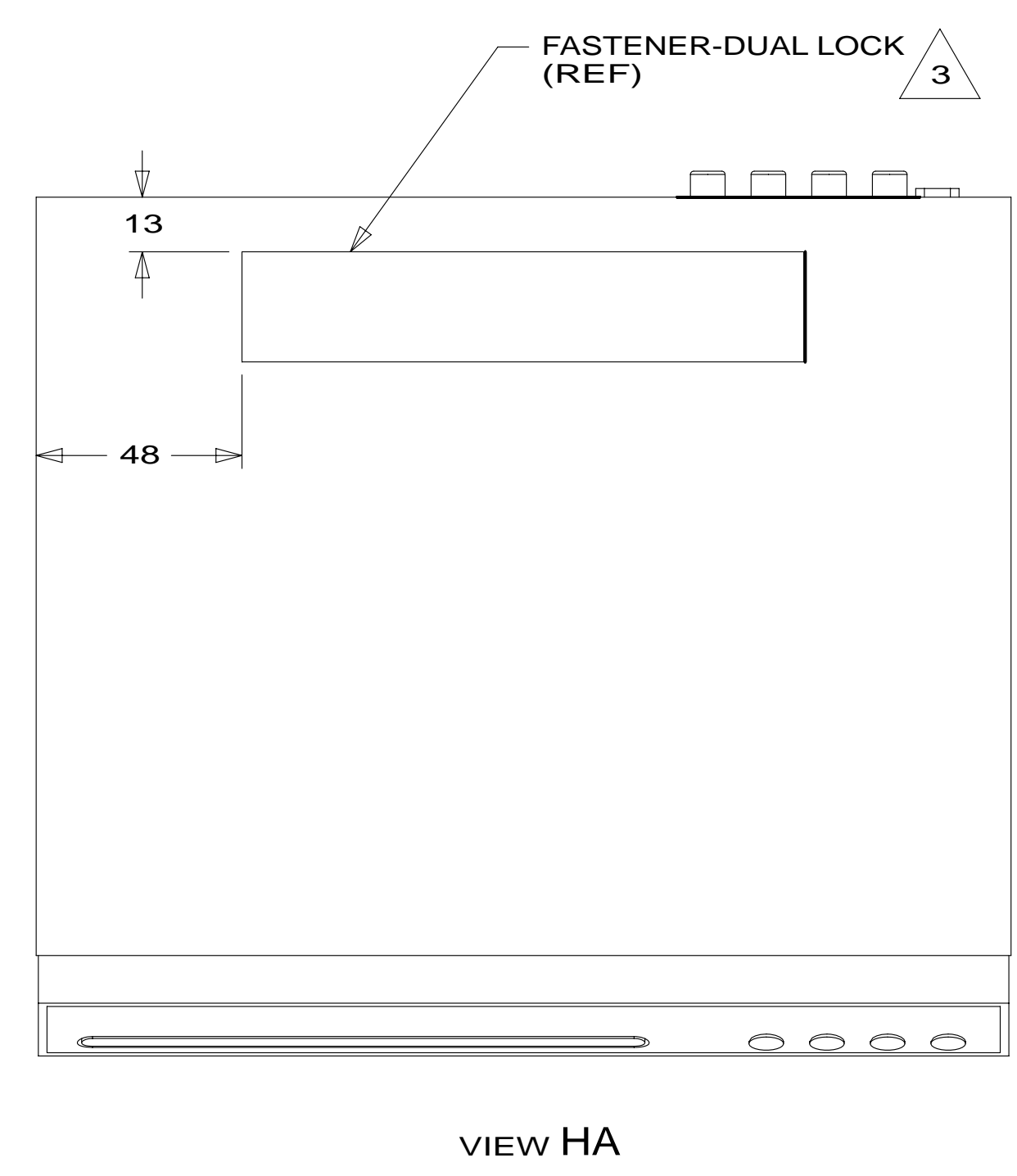
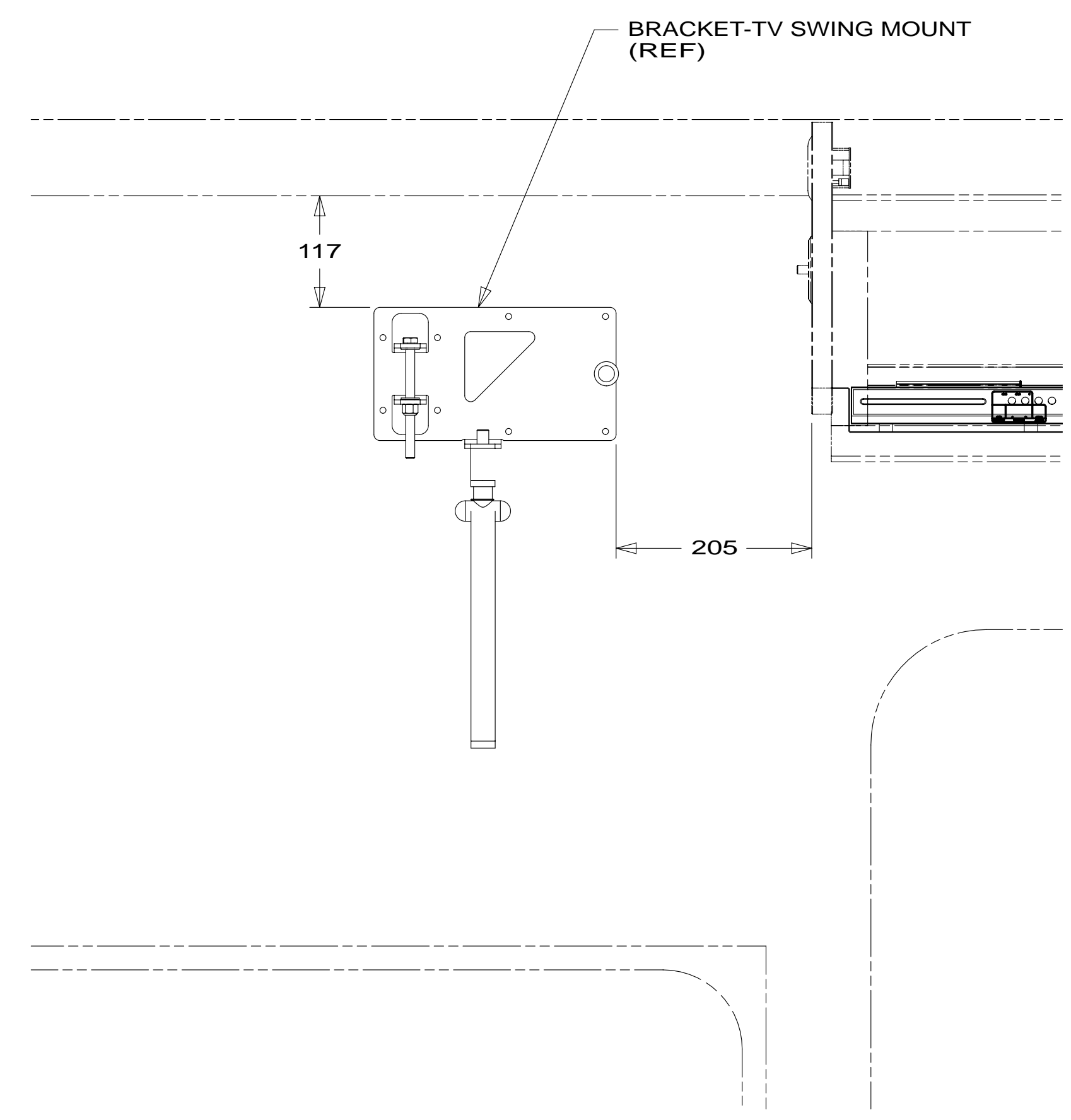
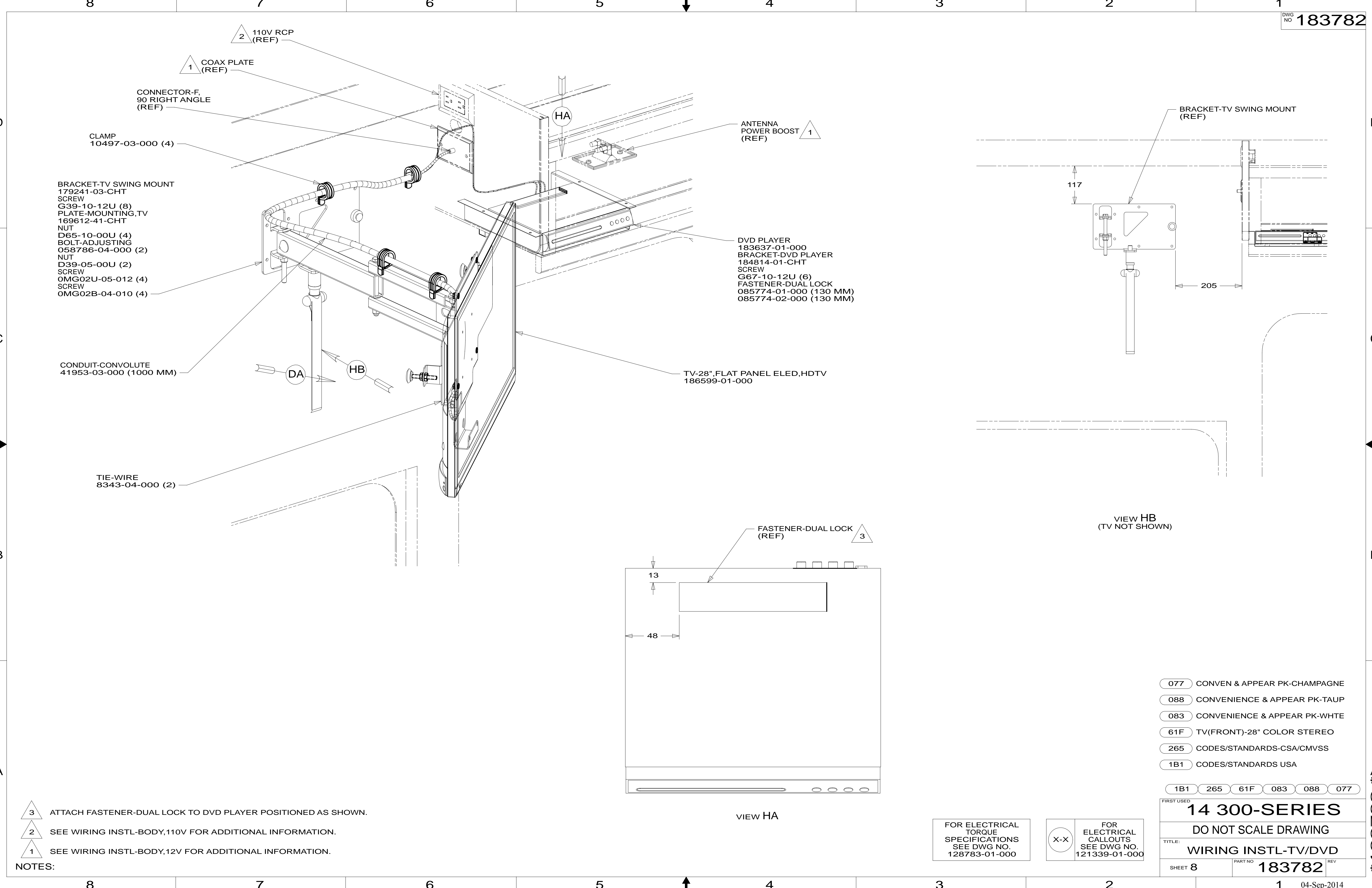
TITLE:
WIRING INSTL-TV/DVD

SHEET 7 PART NO **183782** REV

FOR ELECTRICAL
TORQUE
SPECIFICATIONS
SEE DWG NO.
128783-01-000

X-X
FOR
ELECTRICAL
CALLOUTS
SEE DWG NO.
121339-01-000

* 183782 * A



- BRACKET-TV SWING MOUNT 179241-03-CHT
- SCREW G39-10-12U (8)
- PLATE-MOUNTING,TV 169612-41-CHT
- NUT D65-10-00U (4)
- BOLT-ADJUSTING 058786-04-000 (2)
- NUT D39-05-00U (2)
- SCREW OMG02U-05-012 (4)
- SCREW OMG02B-04-010 (4)

- DVD PLAYER 183637-01-000
- BRACKET-DVD PLAYER 184814-01-CHT
- SCREW G67-10-12U (6)
- FASTENER-DUAL LOCK 085774-01-000 (130 MM)
- 085774-02-000 (130 MM)

- NOTES:
- 3 ATTACH FASTENER-DUAL LOCK TO DVD PLAYER POSITIONED AS SHOWN.
 - 2 SEE WIRING INSTL-BODY,110V FOR ADDITIONAL INFORMATION.
 - 1 SEE WIRING INSTL-BODY,12V FOR ADDITIONAL INFORMATION.

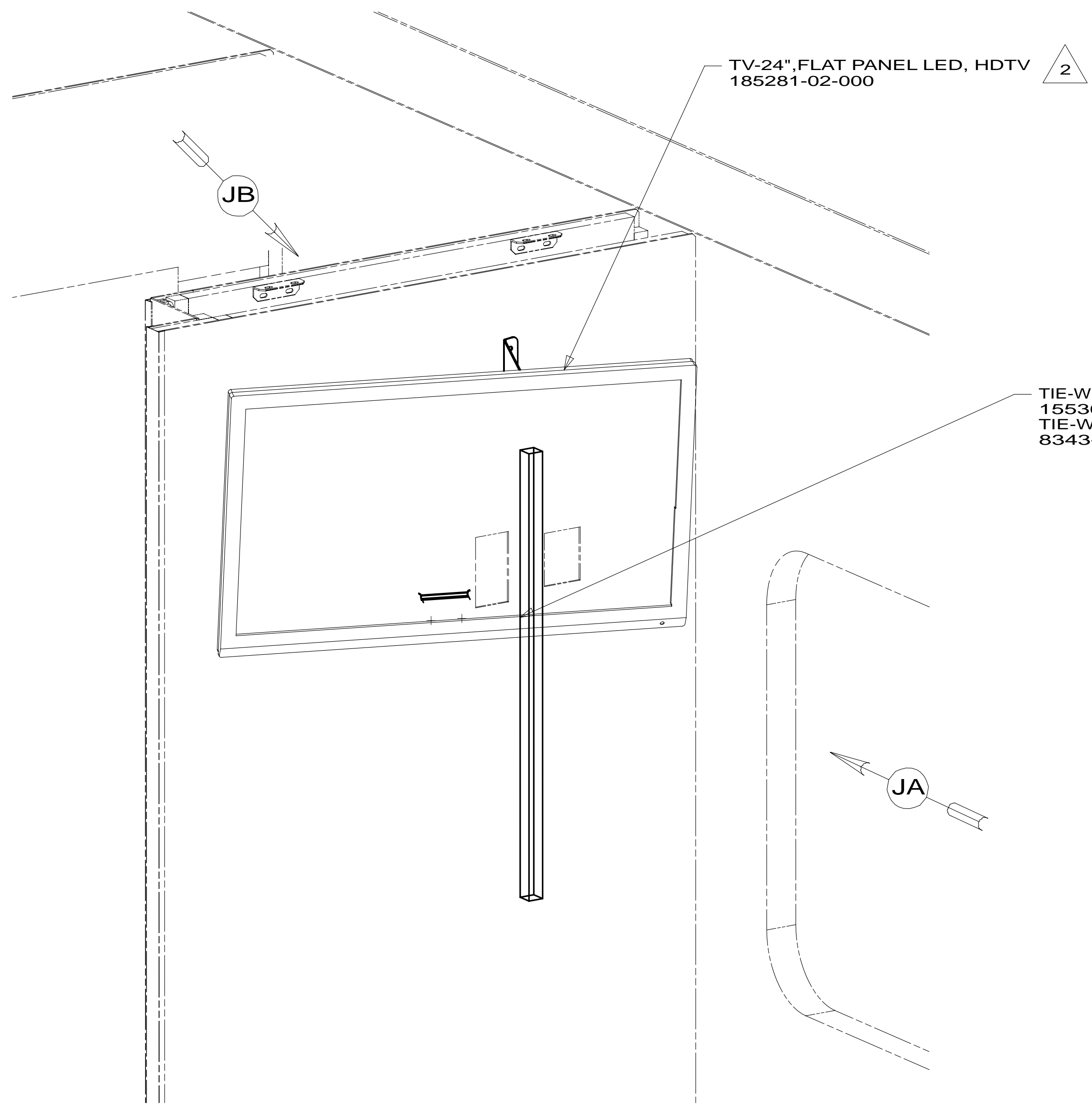
- 077 CONVEN & APPEAR PK-CHAMPAGNE
- 088 CONVENIENCE & APPEAR PK-TAUP
- 083 CONVENIENCE & APPEAR PK-WHTE
- 61F TV(FRONT)-28" COLOR STEREO
- 265 CODES/STANDARDS-CSA/CMVSS
- 1B1 CODES/STANDARDS USA

1B1	265	61F	083	088	077
FIRST USED					
14 300-SERIES					
DO NOT SCALE DRAWING					
TITLE: WIRING INSTL-TV/DVD					
SHEET 8	PART NO 183782				REV

FOR ELECTRICAL TORQUE SPECIFICATIONS SEE DWG NO. 128783-01-000

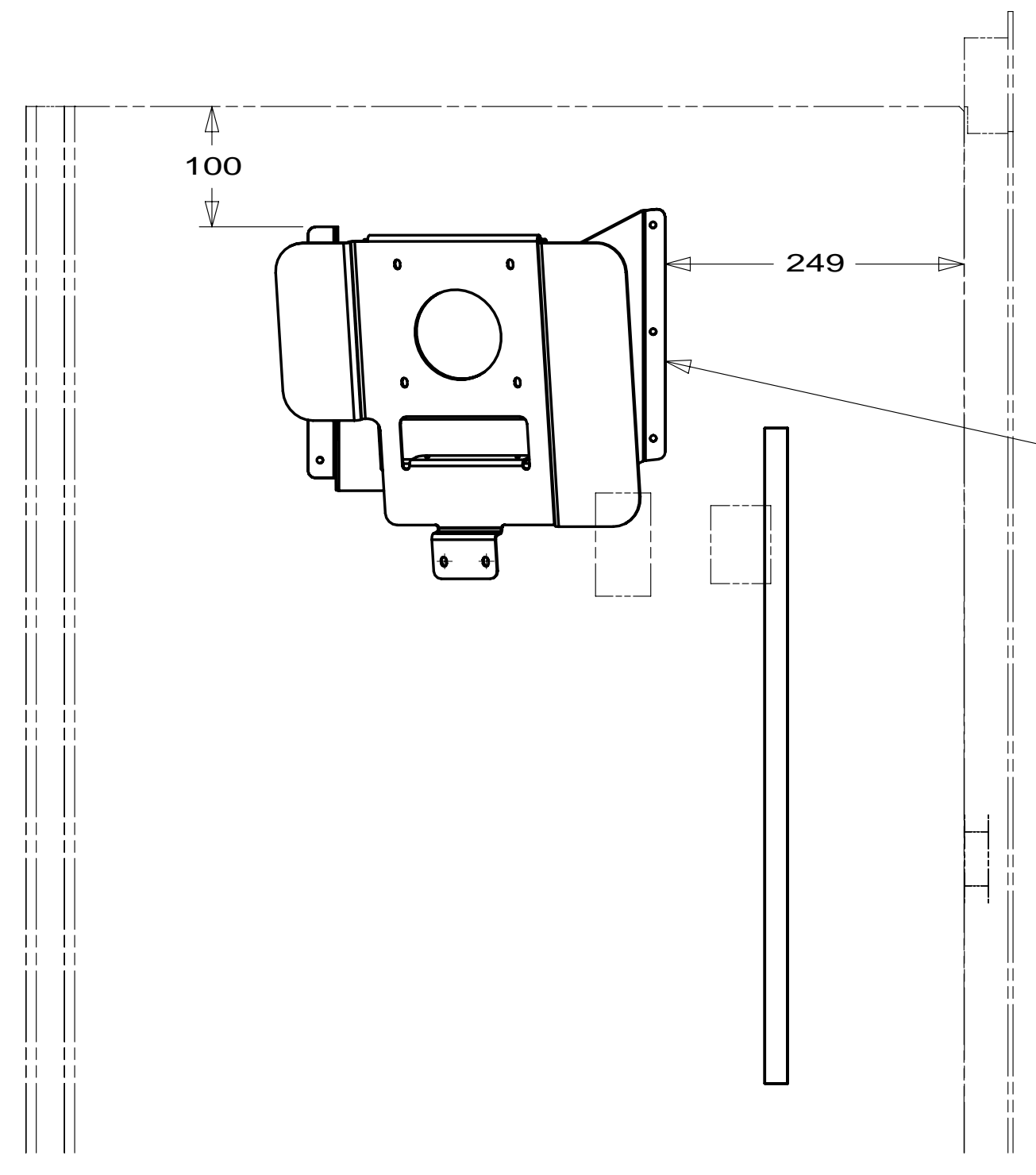
FOR ELECTRICAL CALLOUTS SEE DWG NO. 121339-01-000

* 183782 *



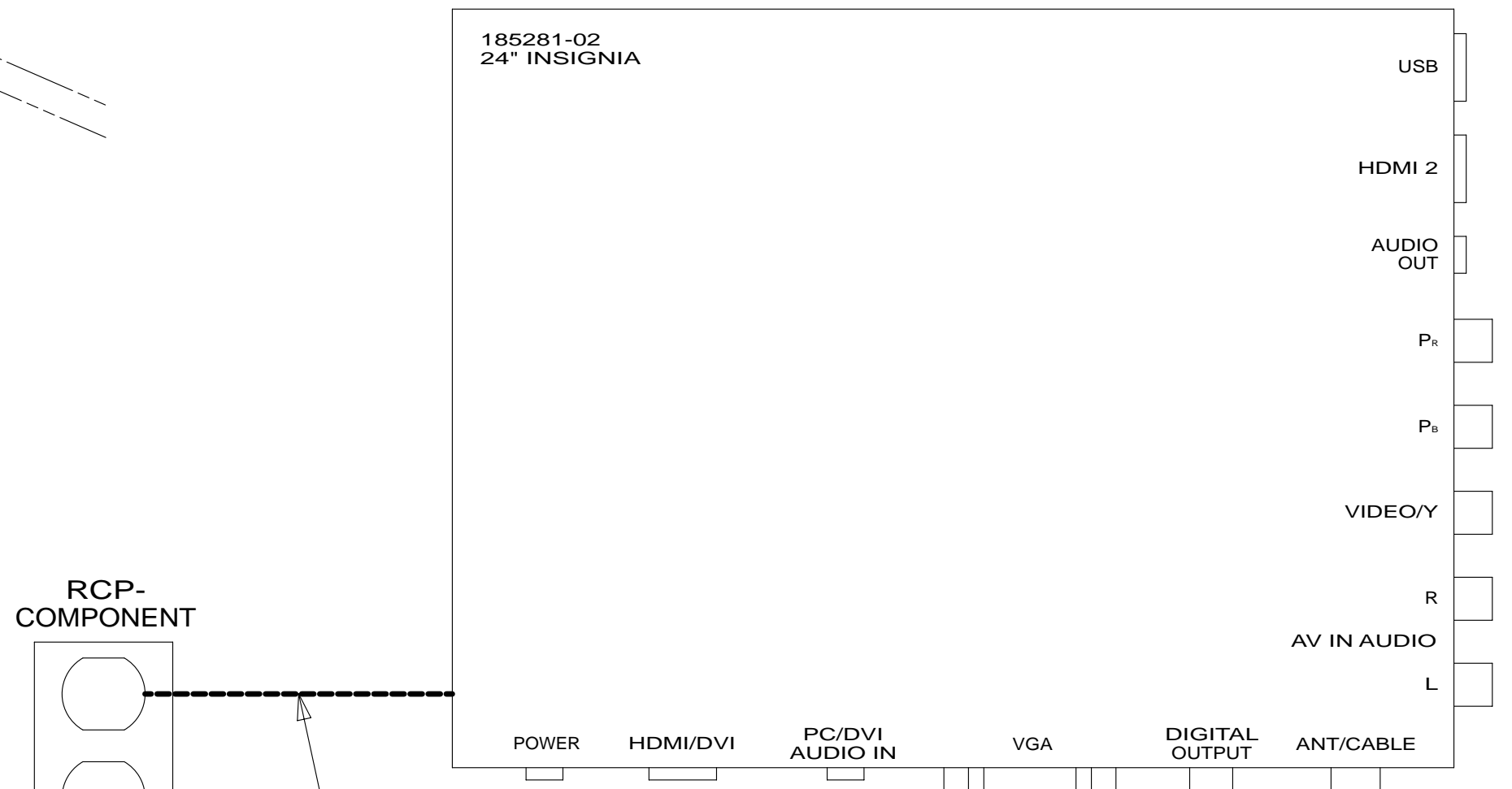
TV-24", FLAT PANEL LED, HDTV
185281-02-000

TIE-WIRE MOUNT
155366-01-000 (2)
TIE-WIRE
8343-04-000 (2)



BRACKET-TV
158394-20-CHT
SCREW
G39-10-16U (6)
PLATE-MOUNTING
163321-08-CHT
SCREW
G39-10-12U (2)

VIEW JA
(TV NOT SHOWN)



RCP-COMPONENT

POWER CORD
(TV)

ANTENNA WALL PLATE
(REF)

CABLE ASM-COAX
87105-01-006

VIEW JB

- 10N TV (REAR)-24"COLOR, STEREO
- 265 CODES/STANDARDS-CSA/CMVSS
- 1B1 CODES/STANDARDS USA

1B1 265 10N

FIRST USED
14 300-SERIES

DO NOT SCALE DRAWING

TITLE:
WIRING INSTL-TV/DVD

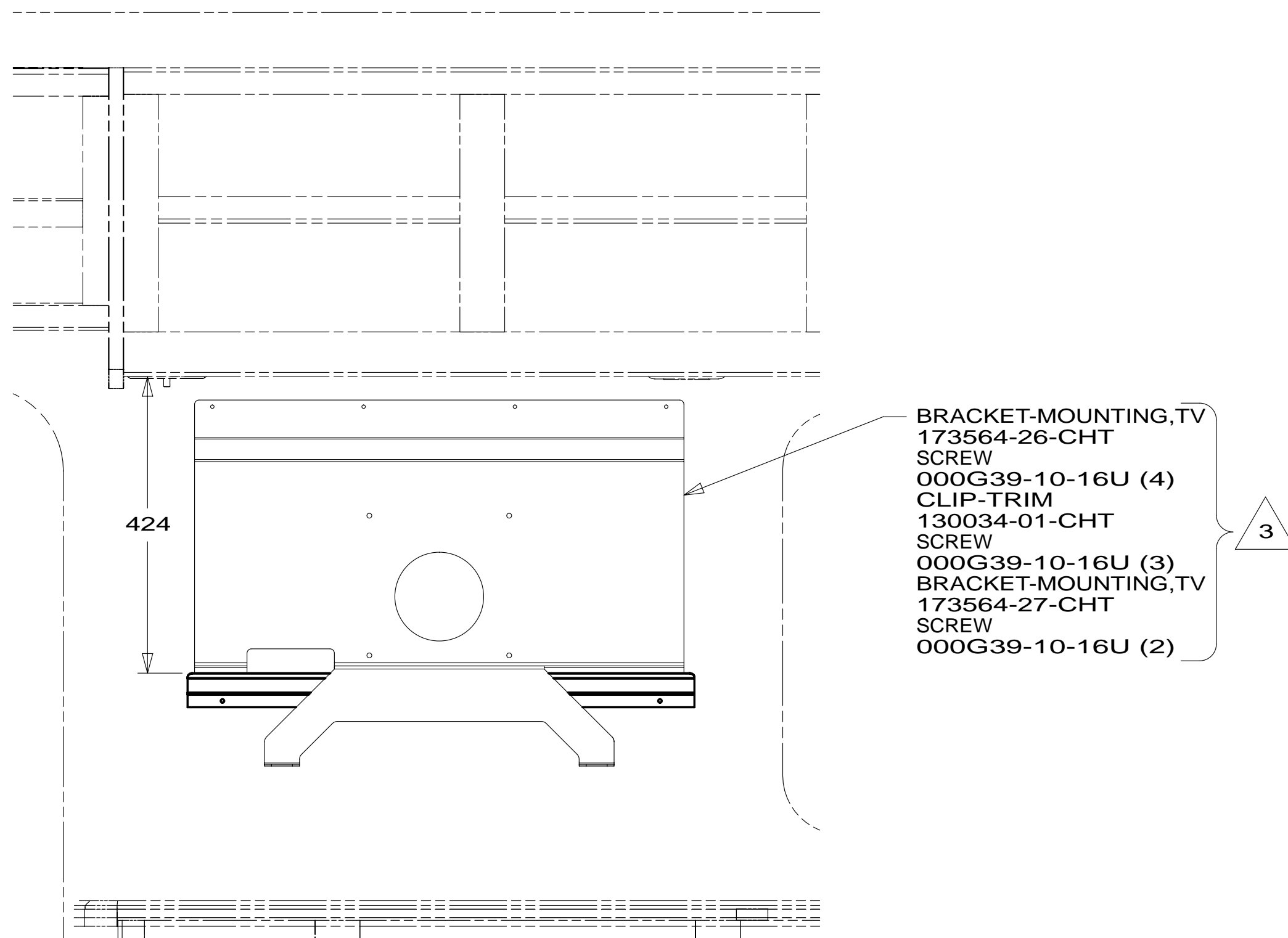
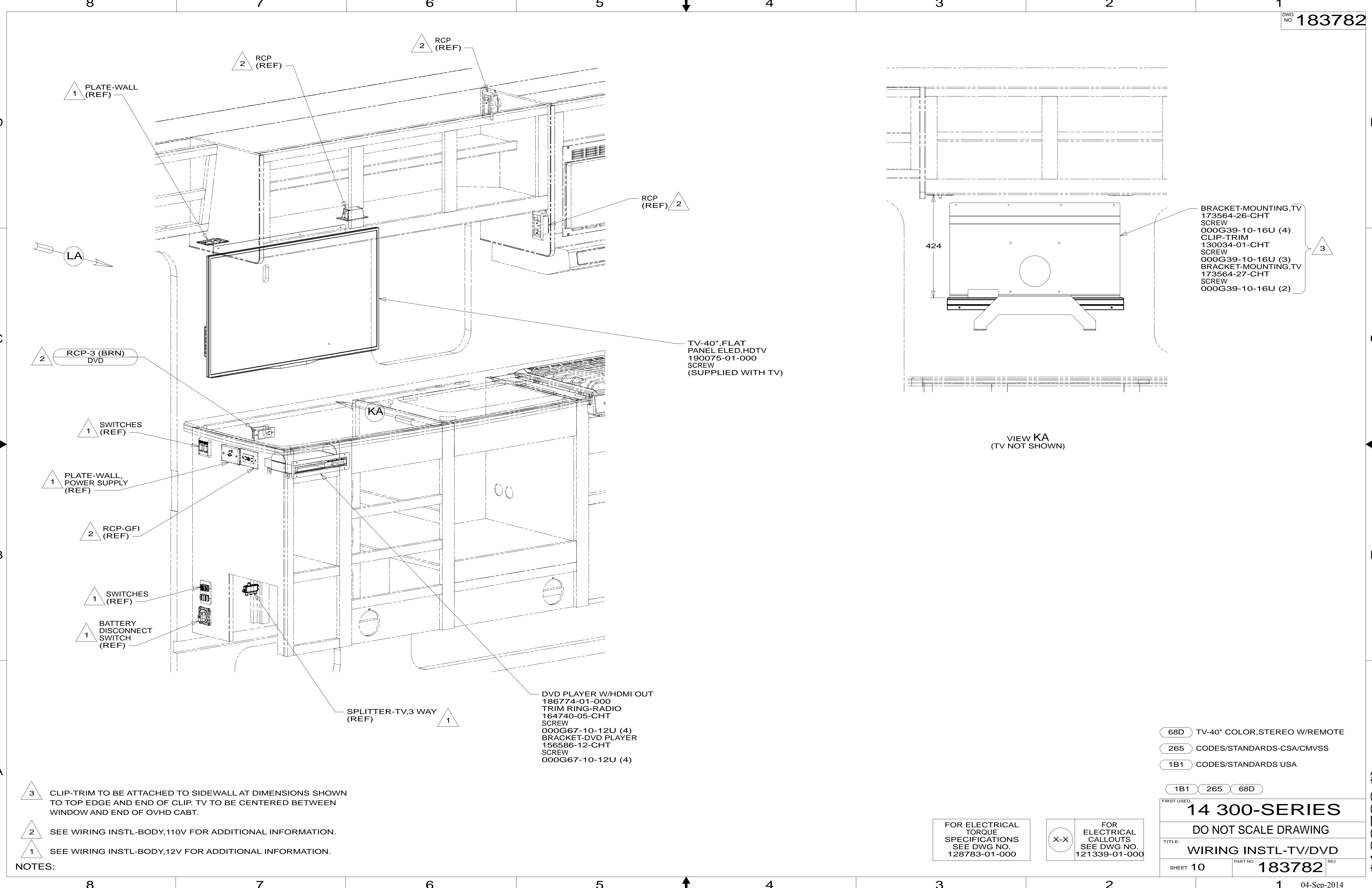
SHEET 9 PART NO **183782** REV

- NOTES:
- 2 USE SCREWS PROVIDED WITH TV TO ATTACH TV TO MOUNTING PLATE.
 - 1 SEE WIRING INSTL-BODY,12V FOR ADDITIONAL INFORMATION.

FOR ELECTRICAL
TORQUE
SPECIFICATIONS
SEE DWG NO.
128783-01-000

FOR
ELECTRICAL
CALLOUTS
SEE DWG NO.
121339-01-000

* 183782 * A



VIEW KA
(TV NOT SHOWN)

- NOTES:
- 3 CLIP-TRIM TO BE ATTACHED TO SIDEWALL AT DIMENSIONS SHOWN TO TOP EDGE AND END OF CLIP. TV TO BE CENTERED BETWEEN WINDOW AND END OF OVHD CABT.
 - 2 SEE WIRING INSTL-BODY, 110V FOR ADDITIONAL INFORMATION.
 - 1 SEE WIRING INSTL-BODY, 12V FOR ADDITIONAL INFORMATION.

DVD PLAYER W/HDMI OUT
186774-01-000
TRIM RING-RADIO
164740-05-CHT
SCREW
000G67-10-12U (4)
BRACKET-DVD PLAYER
156586-12-CHT
SCREW
000G67-10-12U (4)

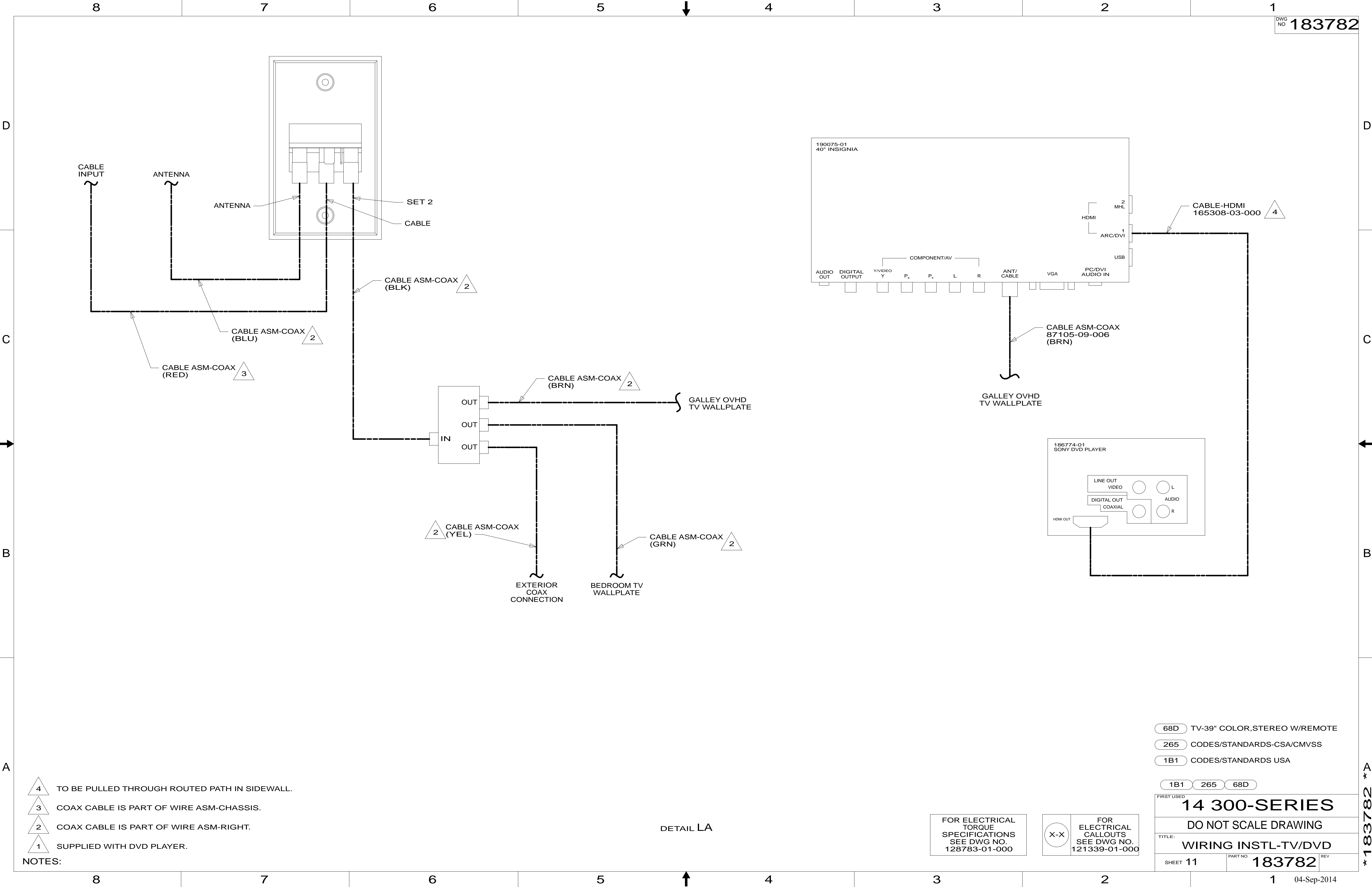
FOR ELECTRICAL TORQUE SPECIFICATIONS SEE DWG NO. 128783-01-000

FOR ELECTRICAL CALLOUTS SEE DWG NO. 121339-01-000

- 68D TV-40" COLOR, STEREO W/REMOTE
- 265 CODES/STANDARDS-CSA/CMVSS
- 1B1 CODES/STANDARDS USA

FIRST USED	
14 300-SERIES	
DO NOT SCALE DRAWING	
TITLE: WIRING INSTL-TV/DVD	
SHEET 10	PART NO. 183782 REV

* 183782 *



- NOTES:
- 4 TO BE PULLED THROUGH ROUTED PATH IN SIDEWALL.
 - 3 COAX CABLE IS PART OF WIRE ASM-CHASSIS.
 - 2 COAX CABLE IS PART OF WIRE ASM-RIGHT.
 - 1 SUPPLIED WITH DVD PLAYER.

- 68D TV-39" COLOR,STEREO W/REMOTE
- 265 CODES/STANDARDS-CSA/CMVSS
- 1B1 CODES/STANDARDS USA

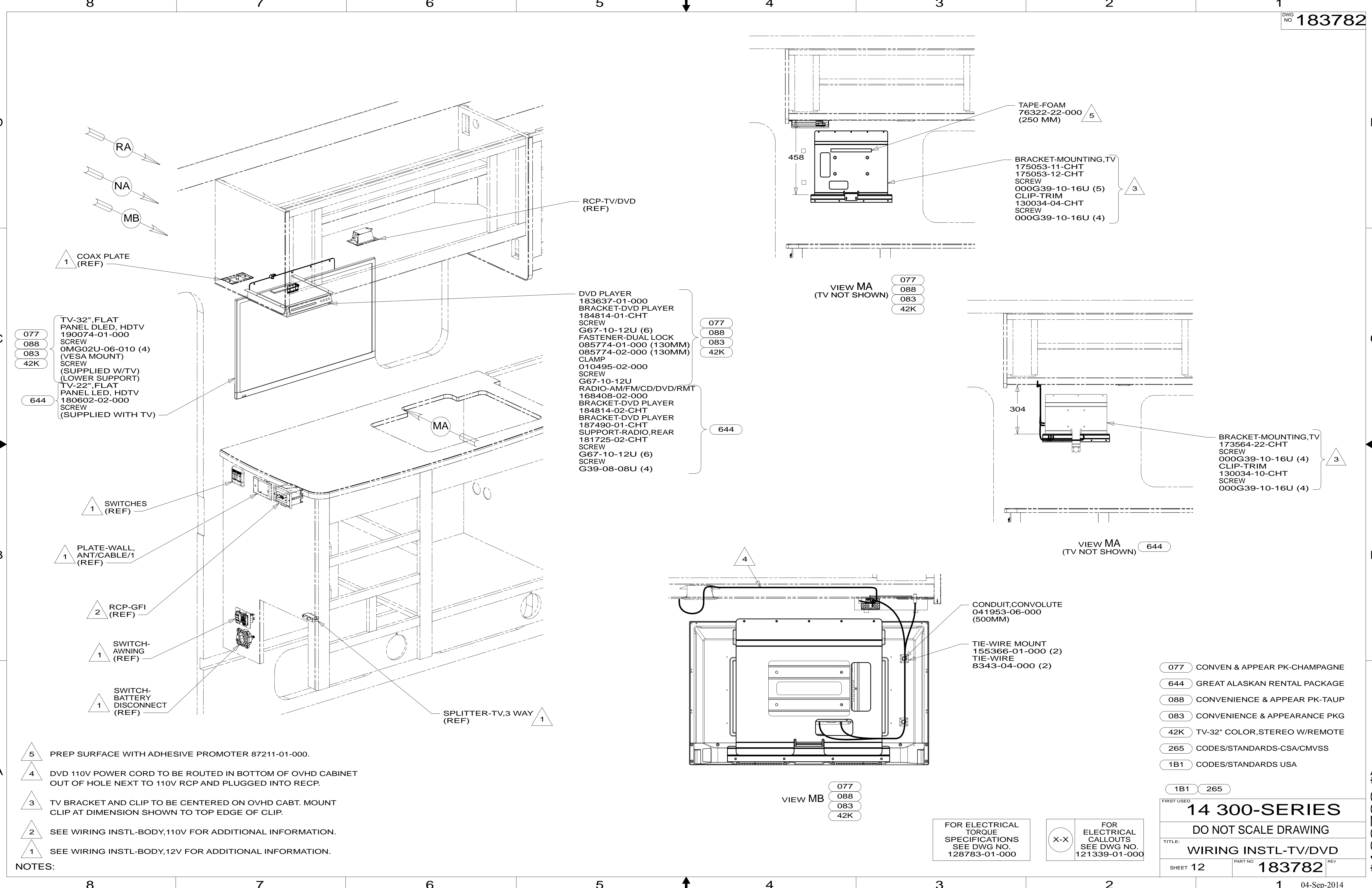
1B1	265	68D
FIRST USED		
14 300-SERIES		
DO NOT SCALE DRAWING		
TITLE: WIRING INSTL-TV/DVD		
SHEET 11	PART NO 183782	REV

FOR ELECTRICAL TORQUE SPECIFICATIONS SEE DWG NO. 128783-01-000

FOR ELECTRICAL CALLOUTS SEE DWG NO. 121339-01-000

DETAIL LA

* 183782 * A



- 077 TV-32", FLAT PANEL DLED, HDTV 190074-01-000 SCREW
- 088 QMG02U-06-010 (4) (VESA MOUNT) SCREW (SUPPLIED W/TV) (LOWER SUPPORT)
- 083 TV-22", FLAT PANEL LED, HDTV 180602-02-000 SCREW (SUPPLIED WITH TV)
- 42K
- 644

- DVD PLAYER 183637-01-000
- BRACKET-DVD PLAYER 184814-01-CHT
- SCREW G67-10-12U (6)
- FASTENER-DUAL LOCK 085774-01-000 (130MM)
- 085774-02-000 (130MM) CLAMP
- 010495-02-000 SCREW
- G67-10-12U RADIO-AM/FM/CD/DVD/RMT 168408-02-000
- BRACKET-DVD PLAYER 184814-02-CHT
- BRACKET-DVD PLAYER 187490-01-CHT
- SUPPORT-RADIO, REAR 181725-02-CHT
- SCREW G67-10-12U (6)
- SCREW G39-08-08U (4)

- TAPE-FOAM 76322-22-000 (250 MM)
- BRACKET-MOUNTING, TV 175053-11-CHT 175053-12-CHT
- SCREW 000G39-10-16U (5)
- CLIP-TRIM 130034-04-CHT
- SCREW 000G39-10-16U (4)

- BRACKET-MOUNTING, TV 173564-22-CHT
- SCREW 000G39-10-16U (4)
- CLIP-TRIM 130034-10-CHT
- SCREW 000G39-10-16U (4)

- CONDUIT, CONVOLUTE 041953-06-000 (500MM)
- TIE-WIRE MOUNT 155366-01-000 (2)
- TIE-WIRE 8343-04-000 (2)

- NOTES:
- 5 PREP SURFACE WITH ADHESIVE PROMOTER 87211-01-000.
 - 4 DVD 110V POWER CORD TO BE ROUTED IN BOTTOM OF OVHD CABINET OUT OF HOLE NEXT TO 110V RCP AND PLUGGED INTO RECP.
 - 3 TV BRACKET AND CLIP TO BE CENTERED ON OVHD CABT. MOUNT CLIP AT DIMENSION SHOWN TO TOP EDGE OF CLIP.
 - 2 SEE WIRING INSTL-BODY, 110V FOR ADDITIONAL INFORMATION.
 - 1 SEE WIRING INSTL-BODY, 12V FOR ADDITIONAL INFORMATION.

- 077 CONVEN & APPEAR PK-CHAMPAGNE
- 644 GREAT ALASKAN RENTAL PACKAGE
- 088 CONVENIENCE & APPEAR PK-TAUP
- 083 CONVENIENCE & APPEARANCE PKG
- 42K TV-32" COLOR, STEREO W/REMOTE
- 265 CODES/STANDARDS-CSA/CMVSS
- 1B1 CODES/STANDARDS USA

FIRST USED

14 300-SERIES

DO NOT SCALE DRAWING

TITLE: **WIRING INSTL-TV/DVD**

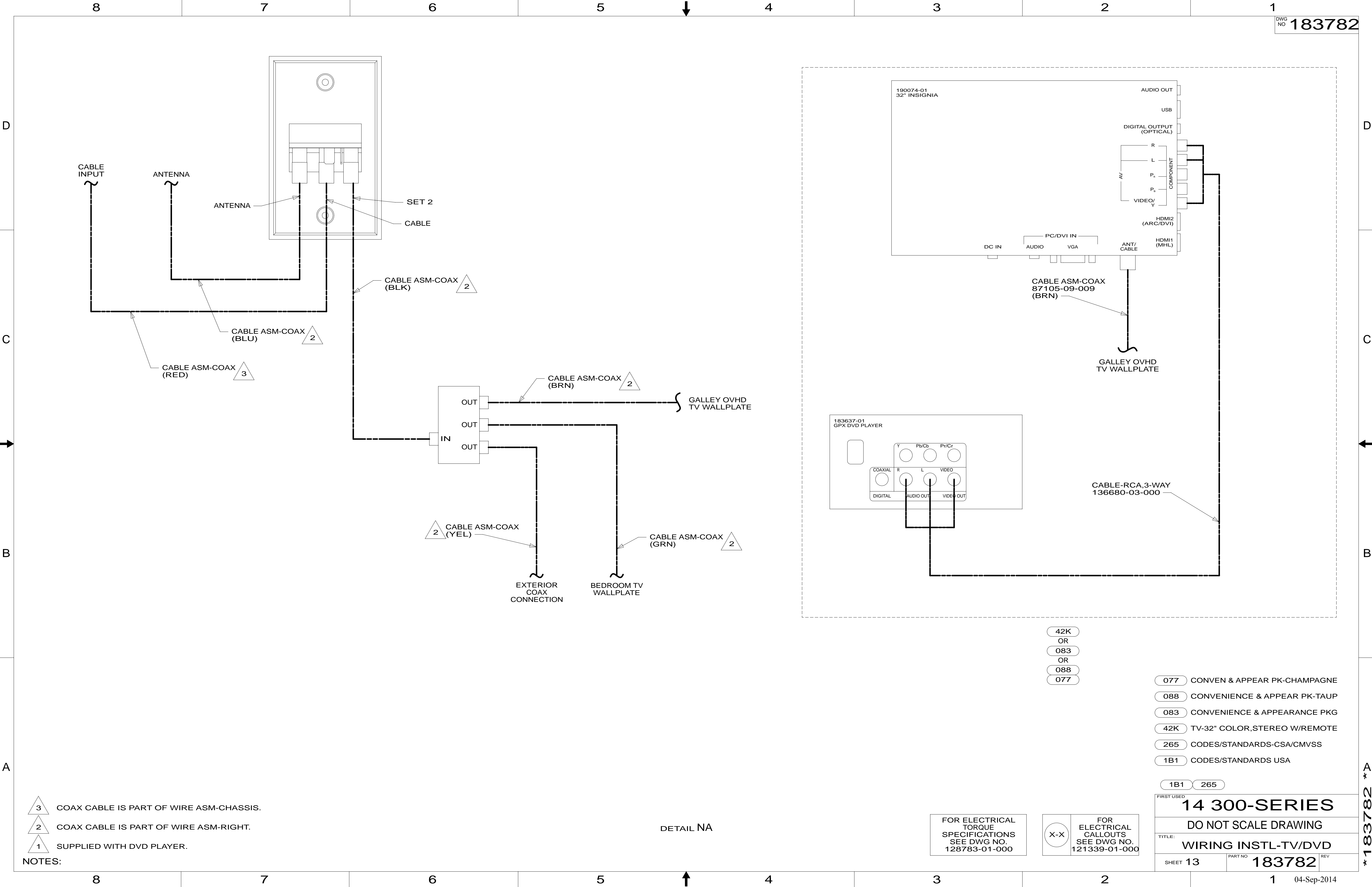
SHEET 12 PART NO **183782** REV

04-Sep-2014

FOR ELECTRICAL TORQUE SPECIFICATIONS SEE DWG NO. 128783-01-000

FOR ELECTRICAL CALLOUTS SEE DWG NO. 121339-01-000

* 183782 *



- 3 COAX CABLE IS PART OF WIRE ASM-CHASSIS.
- 2 COAX CABLE IS PART OF WIRE ASM-RIGHT.
- 1 SUPPLIED WITH DVD PLAYER.

NOTES:

DETAIL NA

FOR ELECTRICAL TORQUE SPECIFICATIONS SEE DWG NO. 128783-01-000

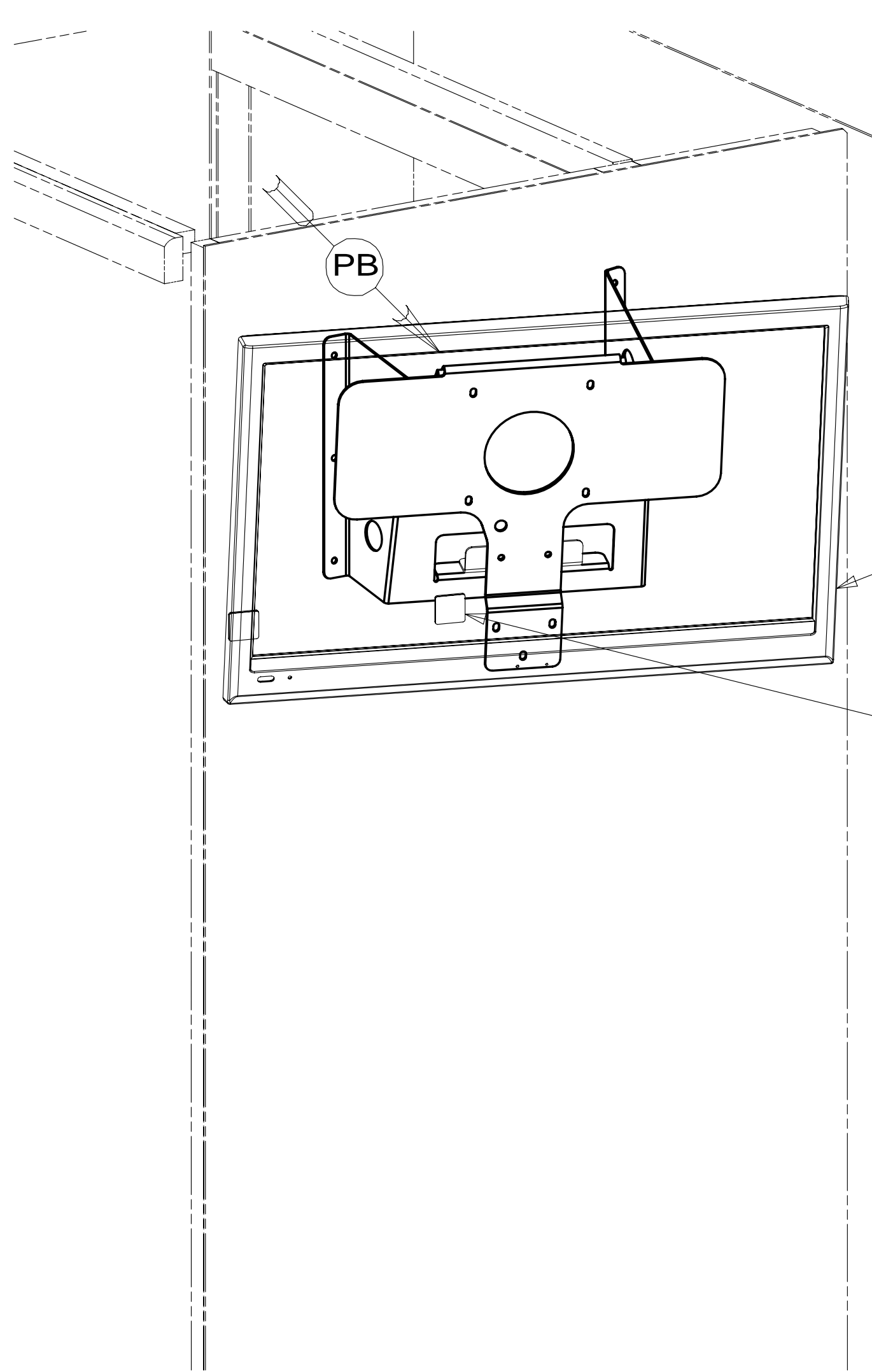
FOR ELECTRICAL CALLOUTS SEE DWG NO. 121339-01-000

- 42K OR 083 OR 088 OR 077

- 077 CONVEN & APPEAR PK-CHAMPAGNE
- 088 CONVENIENCE & APPEAR PK-TAUP
- 083 CONVENIENCE & APPEARANCE PKG
- 42K TV-32" COLOR,STEREO W/REMOTE
- 265 CODES/STANDARDS-CSA/CMVSS
- 1B1 CODES/STANDARDS USA

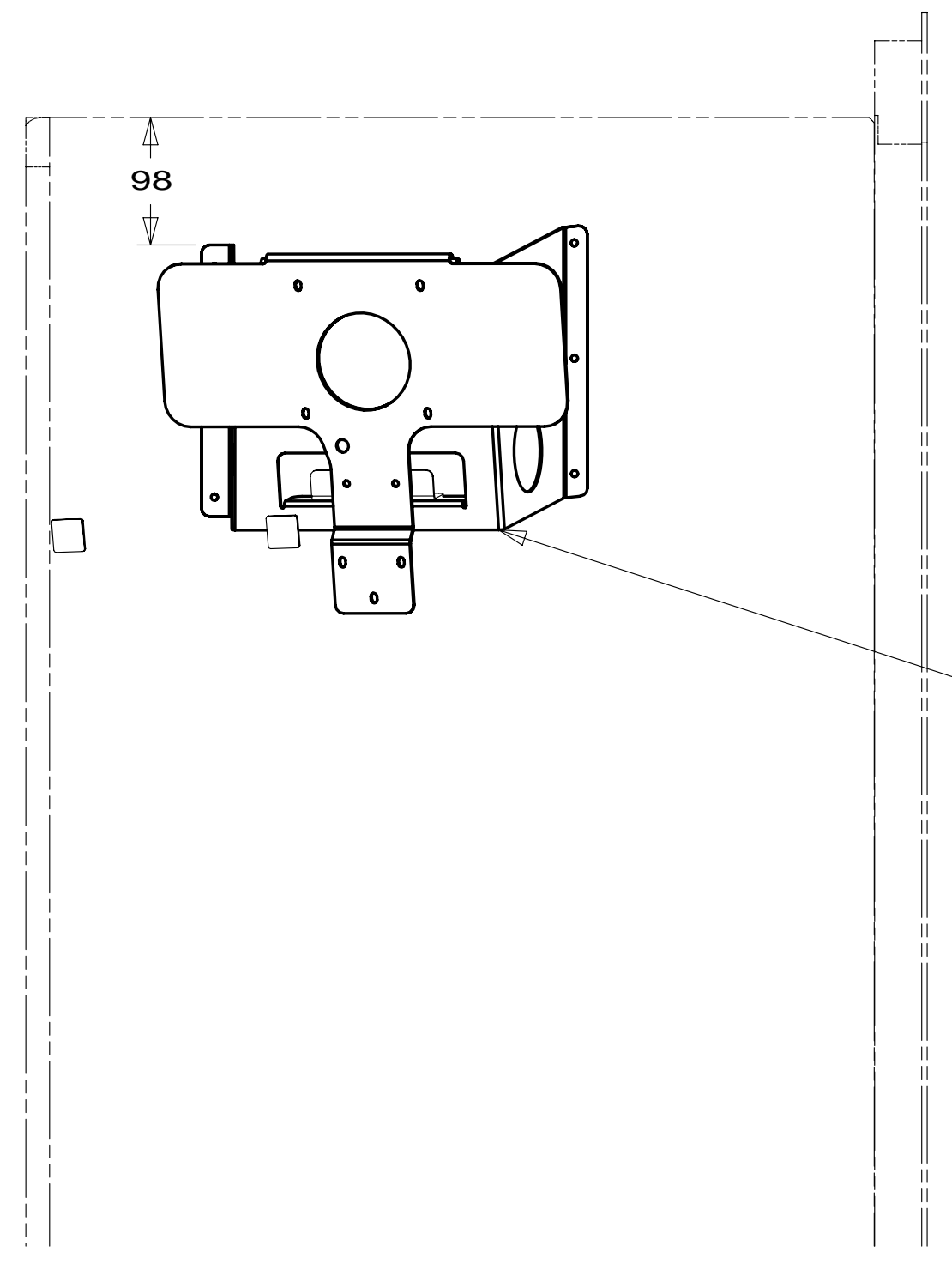
FIRST USED	
14 300-SERIES	
DO NOT SCALE DRAWING	
TITLE: WIRING INSTL-TV/DVD	
SHEET 13	PART NO 183782 REV

* 183782 * A



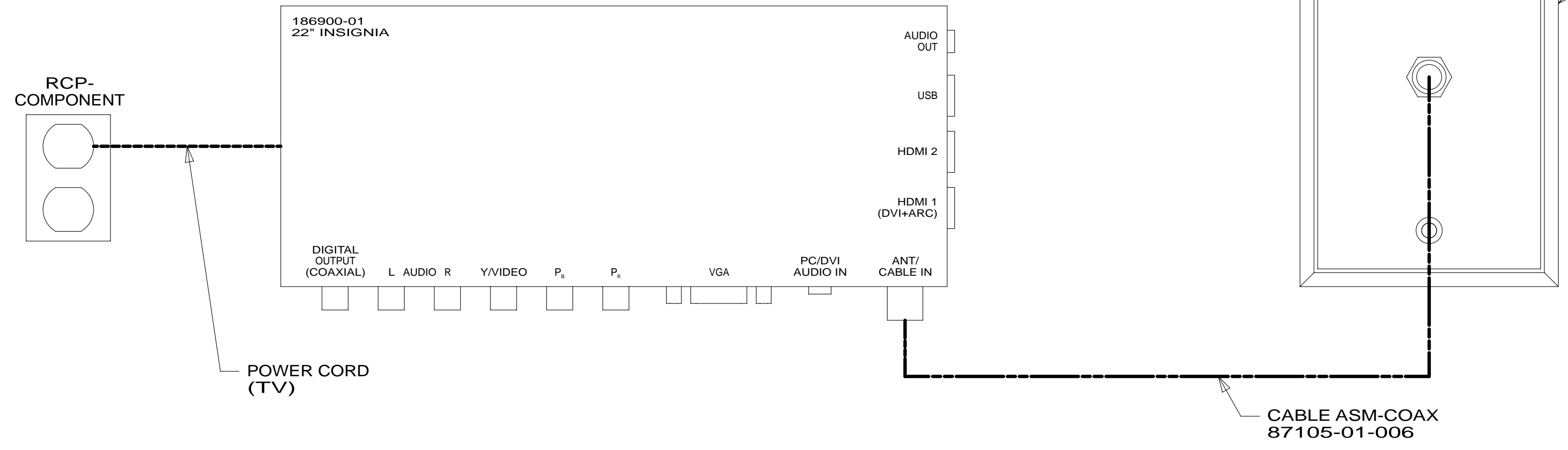
TV-22", FLAT PANEL LED, HDTV
186900-01-000

TIE-WIRE MOUNT
155366-01-000 (2)
TIE-WIRE
8343-04-000 (2)



BRACKET-TV
158394-20-CHT
SCREW
G11-10-12U (6)
PLATE-MOUNTING
190775-01-CHT
SCREW
G39-10-12U (2)

VIEW PA
(TV NOT SHOWN)



VIEW PB

- 68B TV (REAR)-22"COLOR, STEREO
- 265 CODES/STANDARDS-CSA/CMVSS
- 1B1 CODES/STANDARDS USA

1B1 265 68B

14 300-SERIES

DO NOT SCALE DRAWING

TITLE: **WIRING INSTL-TV/DVD**

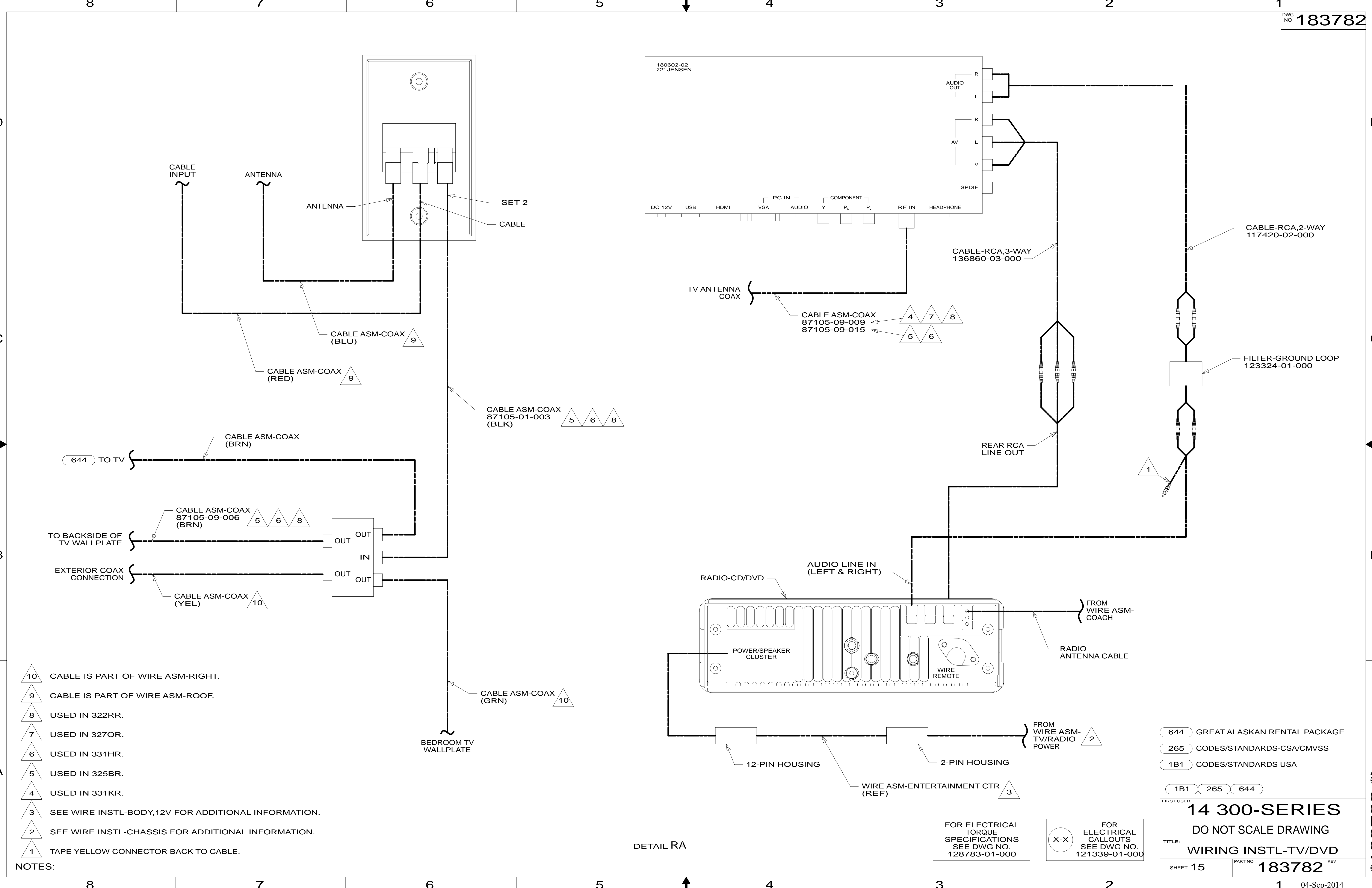
SHEET 14 PART NO. **183782** REV

FOR ELECTRICAL TORQUE SPECIFICATIONS SEE DWG NO. 128783-01-000

FOR ELECTRICAL CALLOUTS SEE DWG NO. 121339-01-000

NOTES:
1 USE SCREWS PROVIDED WITH TV TO ATTACH TV TO MOUNTING PLATE.

* 183782 * A



- NOTES:
- 10 CABLE IS PART OF WIRE ASM-RIGHT.
 - 9 CABLE IS PART OF WIRE ASM-ROOF.
 - 8 USED IN 322RR.
 - 7 USED IN 327QR.
 - 6 USED IN 331HR.
 - 5 USED IN 325BR.
 - 4 USED IN 331KR.
 - 3 SEE WIRE INSTL-BODY,12V FOR ADDITIONAL INFORMATION.
 - 2 SEE WIRE INSTL-CHASSIS FOR ADDITIONAL INFORMATION.
 - 1 TAPE YELLOW CONNECTOR BACK TO CABLE.

644 GREAT ALASKAN RENTAL PACKAGE
 265 CODES/STANDARDS-CSA/CMVSS
 1B1 CODES/STANDARDS USA

1B1 265 644

FIRST USED
14 300-SERIES
 DO NOT SCALE DRAWING

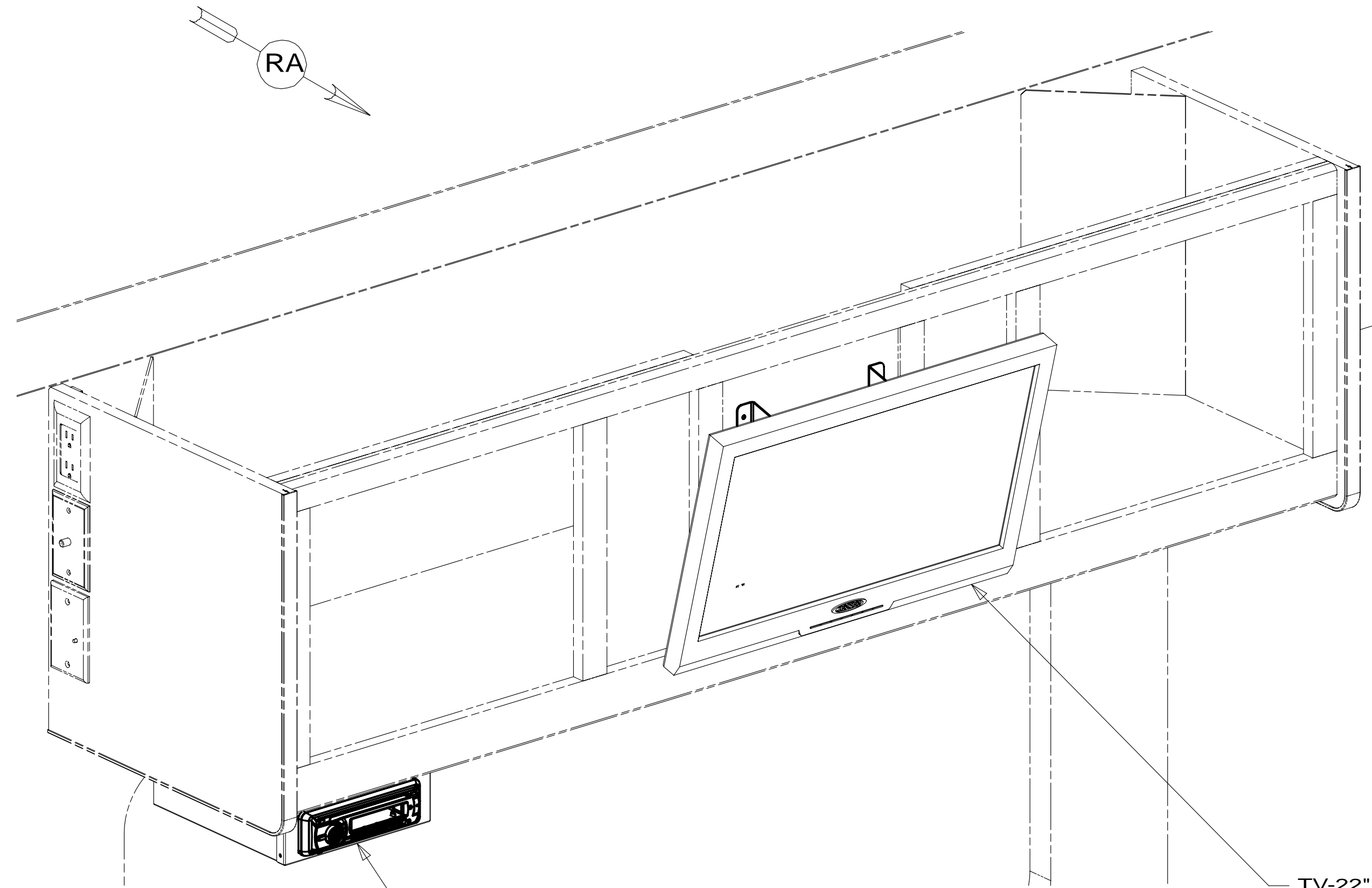
TITLE:
WIRING INSTL-TV/DVD

SHEET 15 PART NO **183782** REV
 04-Sep-2014

FOR ELECTRICAL TORQUE SPECIFICATIONS SEE DWG NO. 128783-01-000

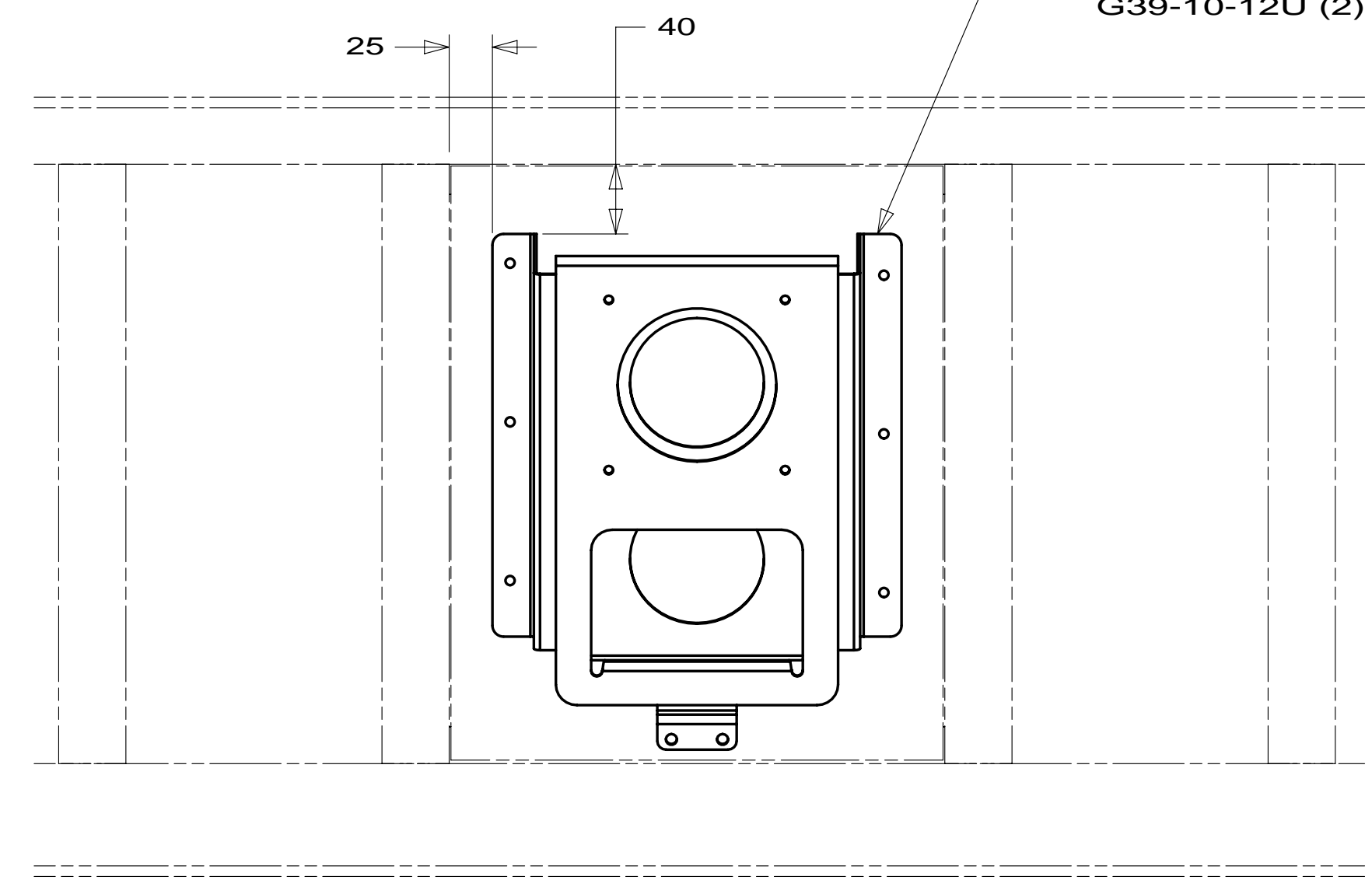
X-X FOR ELECTRICAL CALLOUTS SEE DWG NO. 121339-01-000

DETAIL RA



RADIO-AM/FM/CD/DVD/RMT
168408-02-000
BRACKET-DVD PLAYER
184814-02-CHT
BRACKET-DVD PLAYER
187490-01-CHT
SUPPORT-RADIO, REAR
181725-02-CHT
SCREW
G67-10-12U (6)
SCREW
G39-08-08U (4)

TV-22", FLAT PANEL LED, HDTV
180602-02-000
SCREW
(SUPPLIED WITH TV)



BRACKET-TV
158394-15-CHT
SCREW
G39-10-16U (6)
PLATE-MOUNTING
163321-05-CHT
SCREW
G39-10-12U (2)

VIEW SA
(TV NOT SHOWN)

- 644 GREAT ALASKAN RENTAL PACKAGE
- 265 CODES/STANDARDS-CSA/CMVSS
- 1B1 CODES/STANDARDS USA

1B1 265 644

FIRST USED
14 300-SERIES

DO NOT SCALE DRAWING

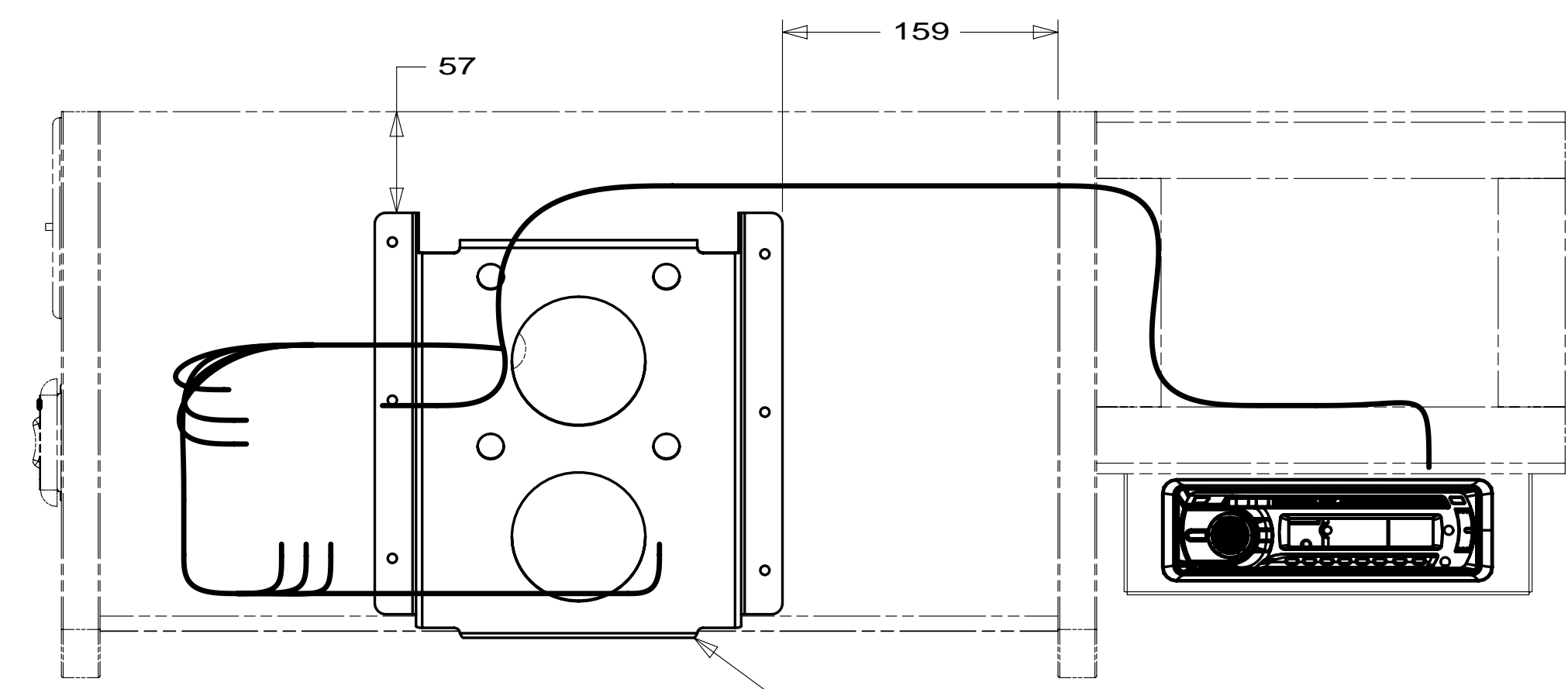
TITLE: **WIRING INSTL-TV/DVD**

SHEET 16 PART NO. **183782** REV

FOR ELECTRICAL
TORQUE
SPECIFICATIONS
SEE DWG NO.
128783-01-000

FOR
ELECTRICAL
CALLOUTS
SEE DWG NO.
121339-01-000

* 183782 * A



VIEW TA
(TV NOT SHOWN)

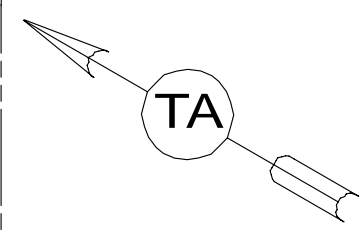
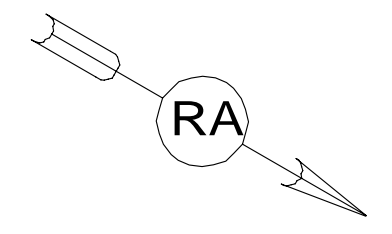
- BRACKET-TV
158394-15-CHT
SCREW
G39-10-16U (6)
PLATE-MOUNTING
163321-05-CHT
SCREW
G39-10-12U (2)

- RADIO-AM/FM/CD/DVD/RMT
168408-02-000
BRACKET-DVD PLAYER
184814-02-CHT
BRACKET-DVD PLAYER
187490-01-CHT
SUPPORT-RADIO,REAR
181725-02-CHT
SCREW
G67-10-12U (6)
SCREW
G39-08-08U (4)

- TV-22" FLAT PANEL LED,HDTV
180602-02-000
SCREW
(SUPPLIED WITH TV)

ANTENNA POWER
BOOST
(REF)

TV SWITCH
(REF)



- 644 GREAT ALASKAN RENTAL PACKAGE
- 265 CODES/STANDARDS-CSA/CMVSS
- 1B1 CODES/STANDARDS USA

1B1 265 644

FIRST USED
14 300-SERIES

DO NOT SCALE DRAWING

TITLE:
WIRING INSTL-TV/DVD

SHEET 17 PART NO **183782** REV

FOR ELECTRICAL
TORQUE
SPECIFICATIONS
SEE DWG NO.
128783-01-000

X-X
FOR
ELECTRICAL
CALLOUTS
SEE DWG NO.
121339-01-000

* 183782 * A