



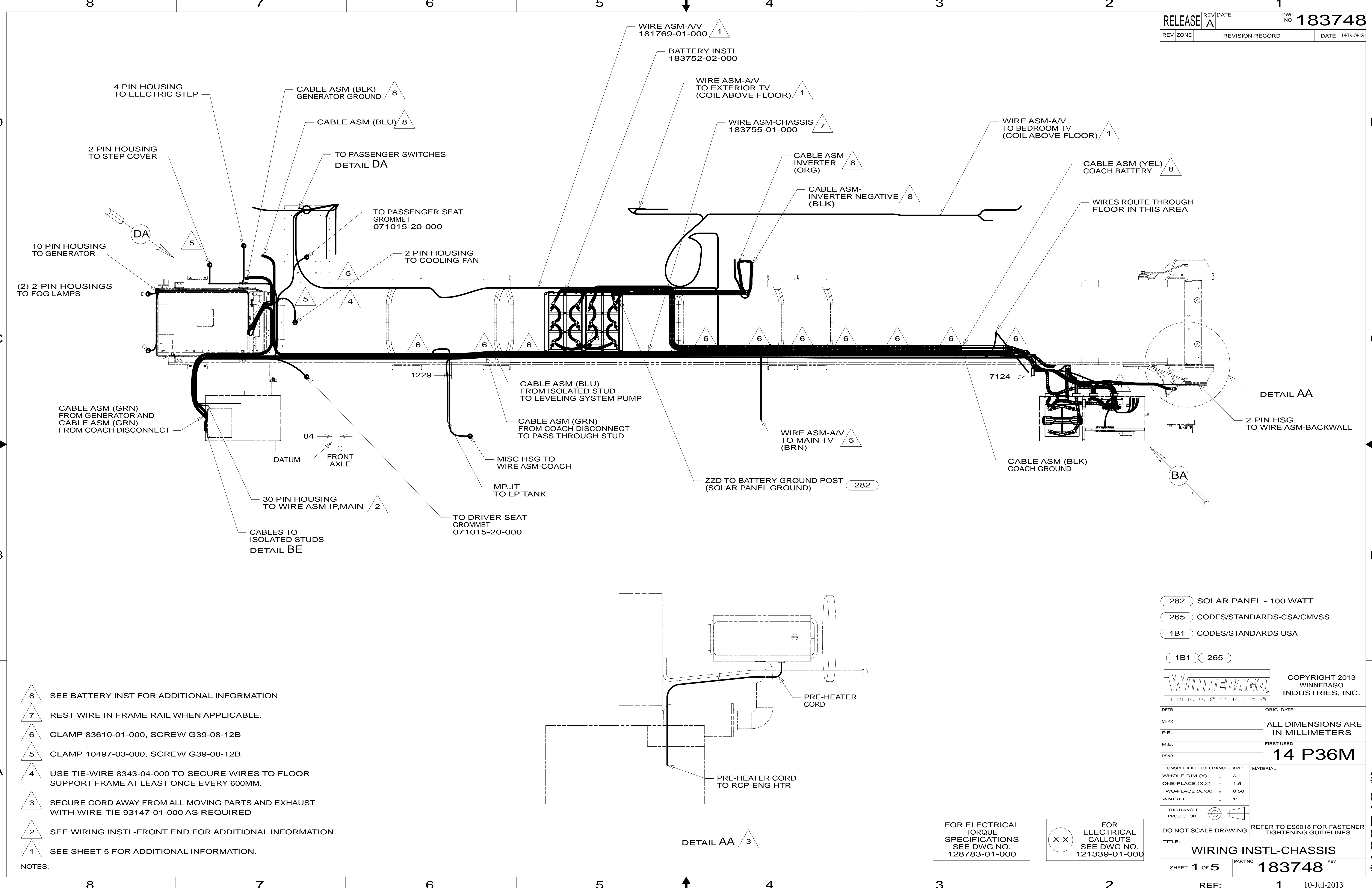
**DANGER**

**Danger of electrical shock, burns or death.** Always remove all power sources before attempting any repair, service or diagnostic work. Power can be present from shore power, generator, inverter or battery. All power sources must be disabled and secured before performing any service.



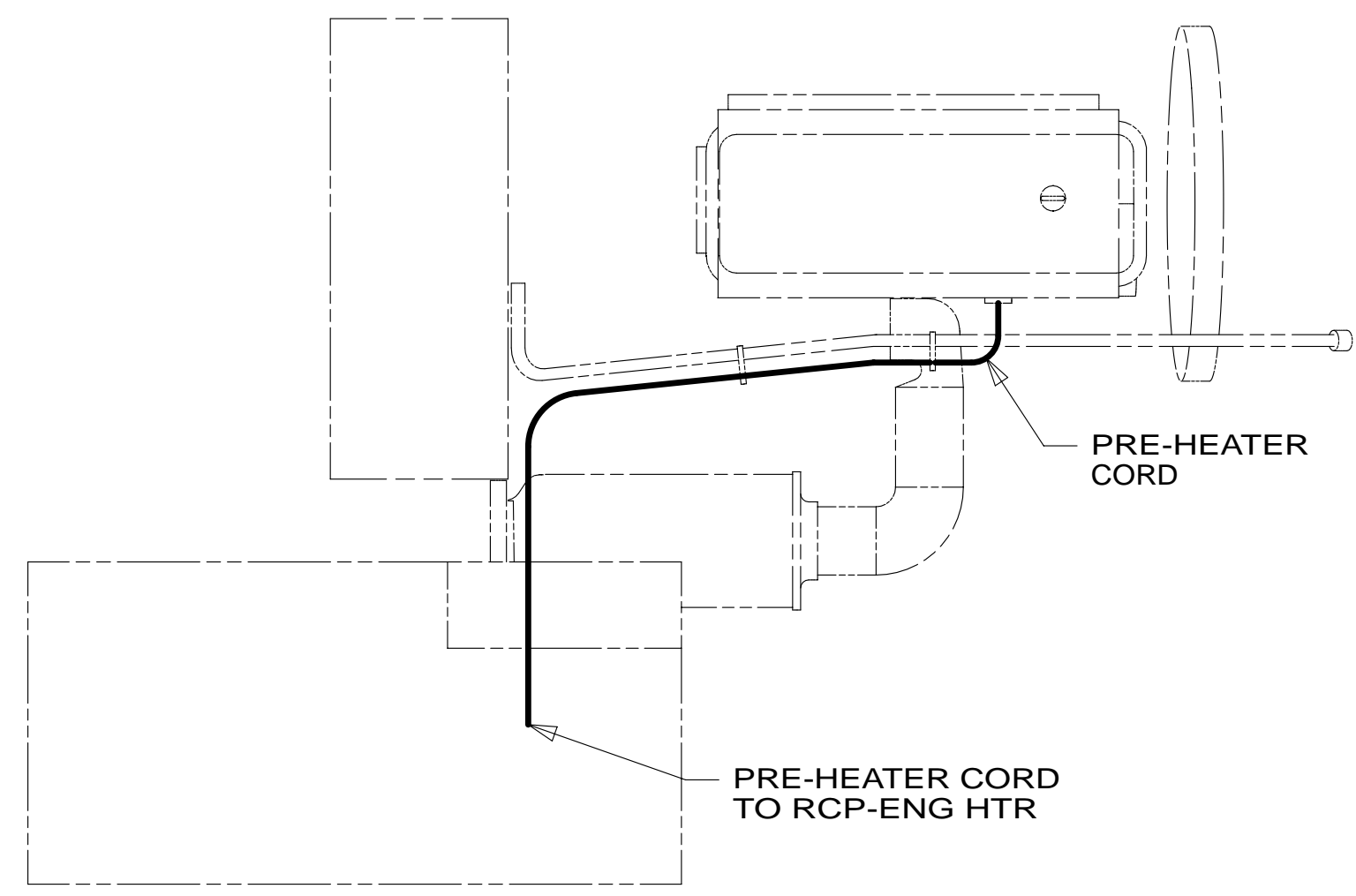
**CAUTION**

If you lack the skills, tools or equipment to perform diagnostic or repair work leave such work to an authorized Winnebago Industries dealer or other qualified shop.



- 8 SEE BATTERY INST FOR ADDITIONAL INFORMATION
- 7 REST WIRE IN FRAME RAIL WHEN APPLICABLE.
- 6 CLAMP 83610-01-000, SCREW G39-08-12B
- 5 CLAMP 10497-03-000, SCREW G39-08-12B
- 4 USE TIE-WIRE 8343-04-000 TO SECURE WIRES TO FLOOR SUPPORT FRAME AT LEAST ONCE EVERY 600MM.
- 3 SECURE CORD AWAY FROM ALL MOVING PARTS AND EXHAUST WITH WIRE-TIE 93147-01-000 AS REQUIRED
- 2 SEE WIRING INSTL-FRONT END FOR ADDITIONAL INFORMATION.
- 1 SEE SHEET 5 FOR ADDITIONAL INFORMATION.

NOTES:



DETAIL AA 3

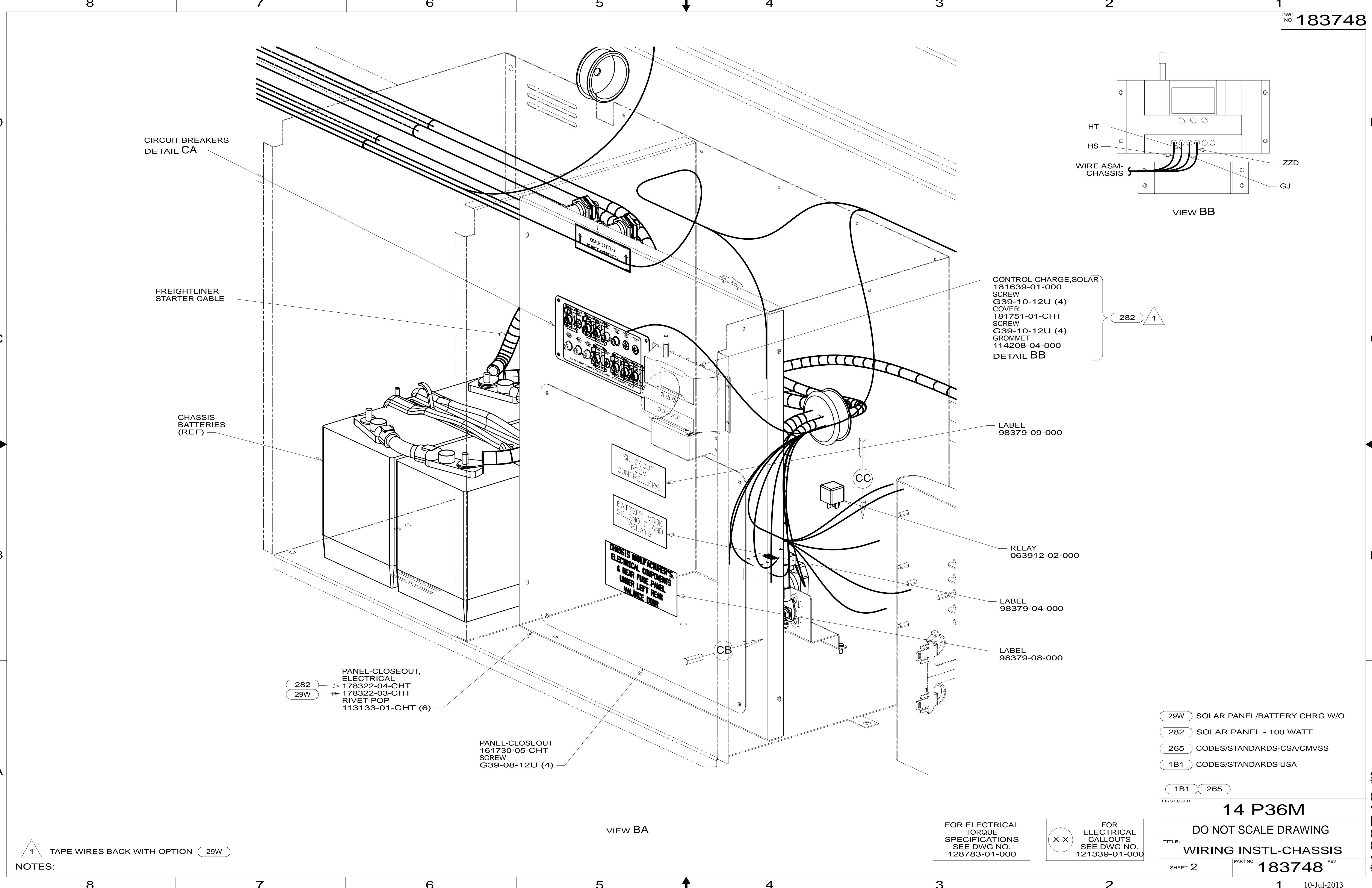
- 282 SOLAR PANEL - 100 WATT
- 265 CODES/STANDARDS-CSA/CMVSS
- 1B1 CODES/STANDARDS USA

1B1 265			COPYRIGHT 2013 WINNEBAGO INDUSTRIES, INC.
DFTR	ORIG. DATE		
CHKR		ALL DIMENSIONS ARE IN MILLIMETERS	
P.E.		FIRST USED	
M.E.		14 P36M	
DSNR		MATERIAL:	
UNSPECIFIED TOLERANCES ARE:		DO NOT SCALE DRAWING REFER TO ES0018 FOR FASTENER TIGHTENING GUIDELINES	
WHOLE DIM (X)	: 3	TITLE: WIRING INSTL-CHASSIS	
ONE-PLACE (X.X)	: 1.5	SHEET 1 OF 5 PART NO 183748 REV	
TWO-PLACE (X.XX)	: 0.50	REF: 1 10-Jul-2013	
ANGLE	: 1°		
THIRD ANGLE PROJECTION			

FOR ELECTRICAL TORQUE SPECIFICATIONS SEE DWG NO. 128783-01-000

FOR ELECTRICAL CALLOUTS SEE DWG NO. 121339-01-000

\*183748\*



D

C

B

A

D

C

B

A

CIRCUIT BREAKERS  
DETAIL CA

FREIGHTLINER  
STARTER CABLE

CHASSIS  
BATTERIES  
(REF)

282 → PANEL-CLOSEOUT,  
ELECTRICAL  
178322-04-CHT  
29W → 178322-03-CHT  
RIVET-POP  
113133-01-CHT (6)

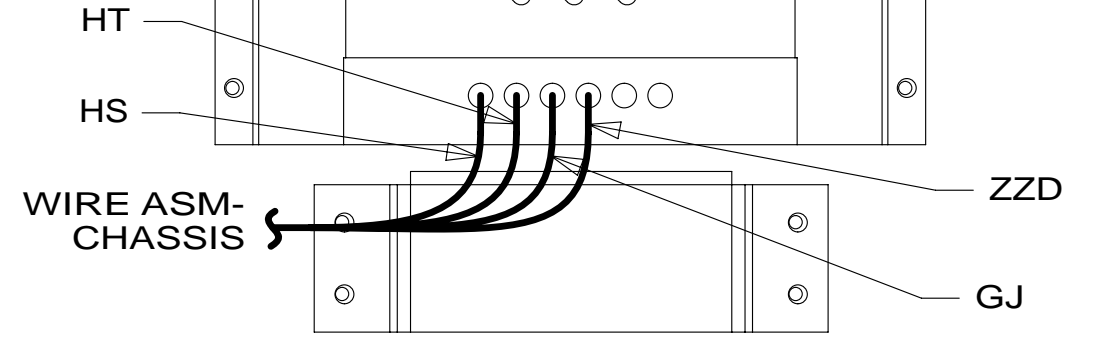
PANEL-CLOSEOUT  
161730-05-CHT  
SCREW  
G39-08-12U (4)

SLIDEOUT  
ROOM  
CONTROLLERS

BATTERY MODE  
SOLENOID AND  
RELAYS

CHASSIS MANUFACTURER'S  
ELECTRICAL COMPONENTS  
& REAR FUSE PANEL  
UNDER LEFT REAR  
VALVE DOOR

VIEW BA



VIEW BB

CONTROL-CHARGE, SOLAR  
181639-01-000  
SCREW  
G39-10-12U (4)  
COVER  
181751-01-CHT  
SCREW  
G39-10-12U (4)  
GROMMET  
114208-04-000  
DETAIL BB

LABEL  
98379-09-000

RELAY  
063912-02-000

LABEL  
98379-04-000

LABEL  
98379-08-000

- 29W SOLAR PANEL/BATTERY CHRГ W/O
- 282 SOLAR PANEL - 100 WATT
- 265 CODES/STANDARDS-CSA/CMVSS
- 1B1 CODES/STANDARDS USA

1B1 265

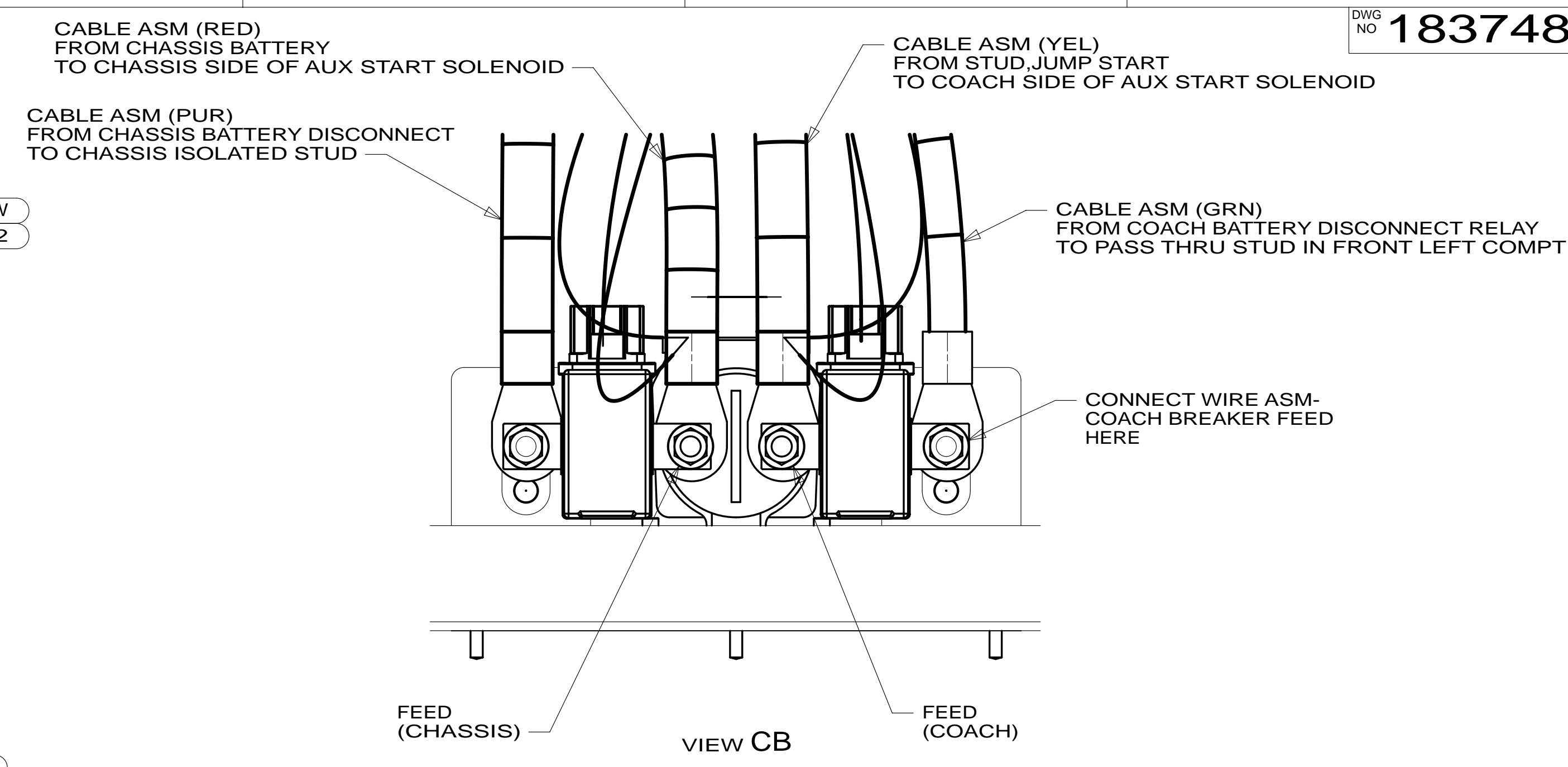
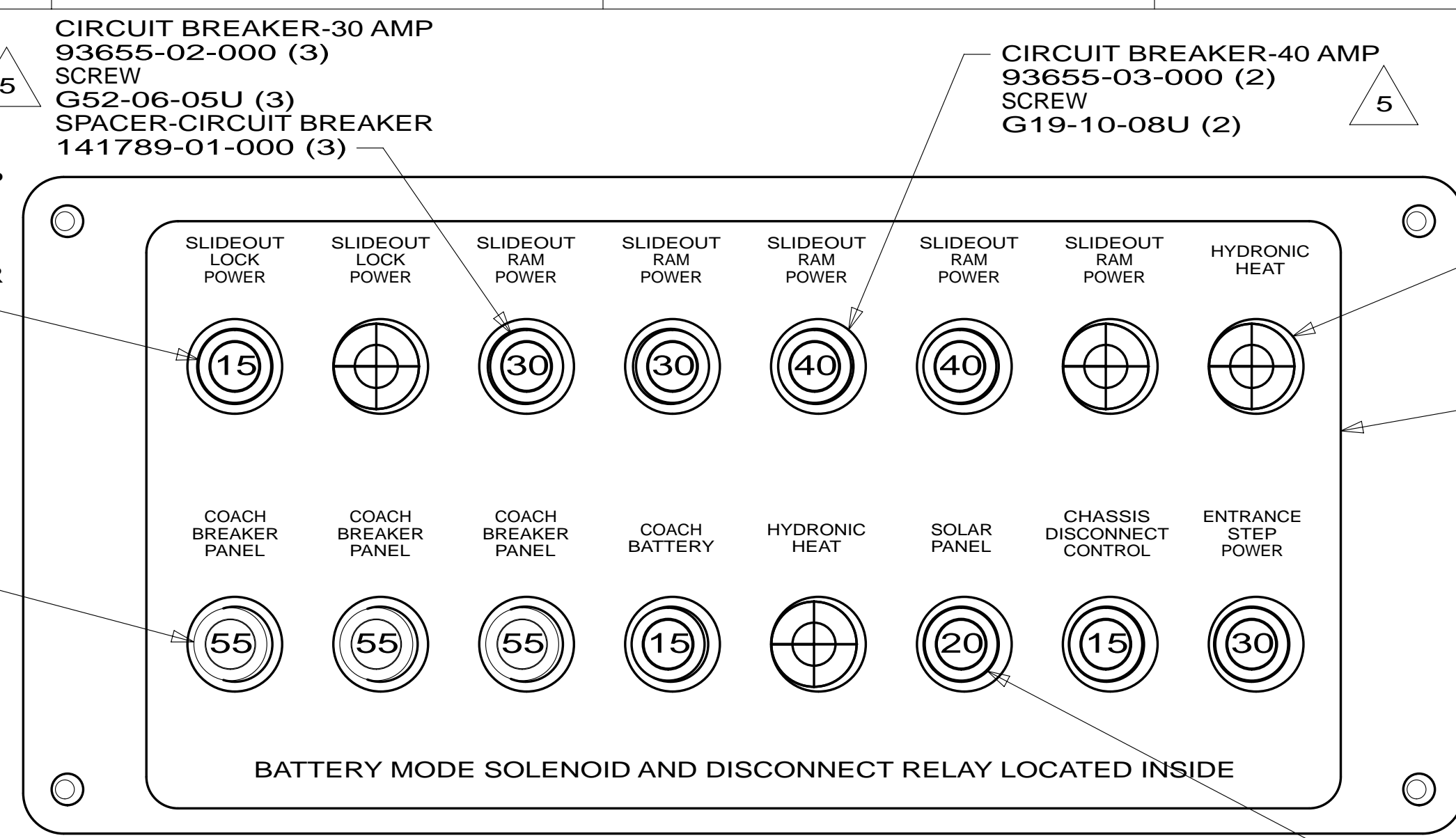
FIRST USED	
<b>14 P36M</b>	
DO NOT SCALE DRAWING	
TITLE: <b>WIRING INSTL-CHASSIS</b>	
SHEET 2	PART NO <b>183748</b> REV

FOR ELECTRICAL  
TORQUE  
SPECIFICATIONS  
SEE DWG NO.  
128783-01-000

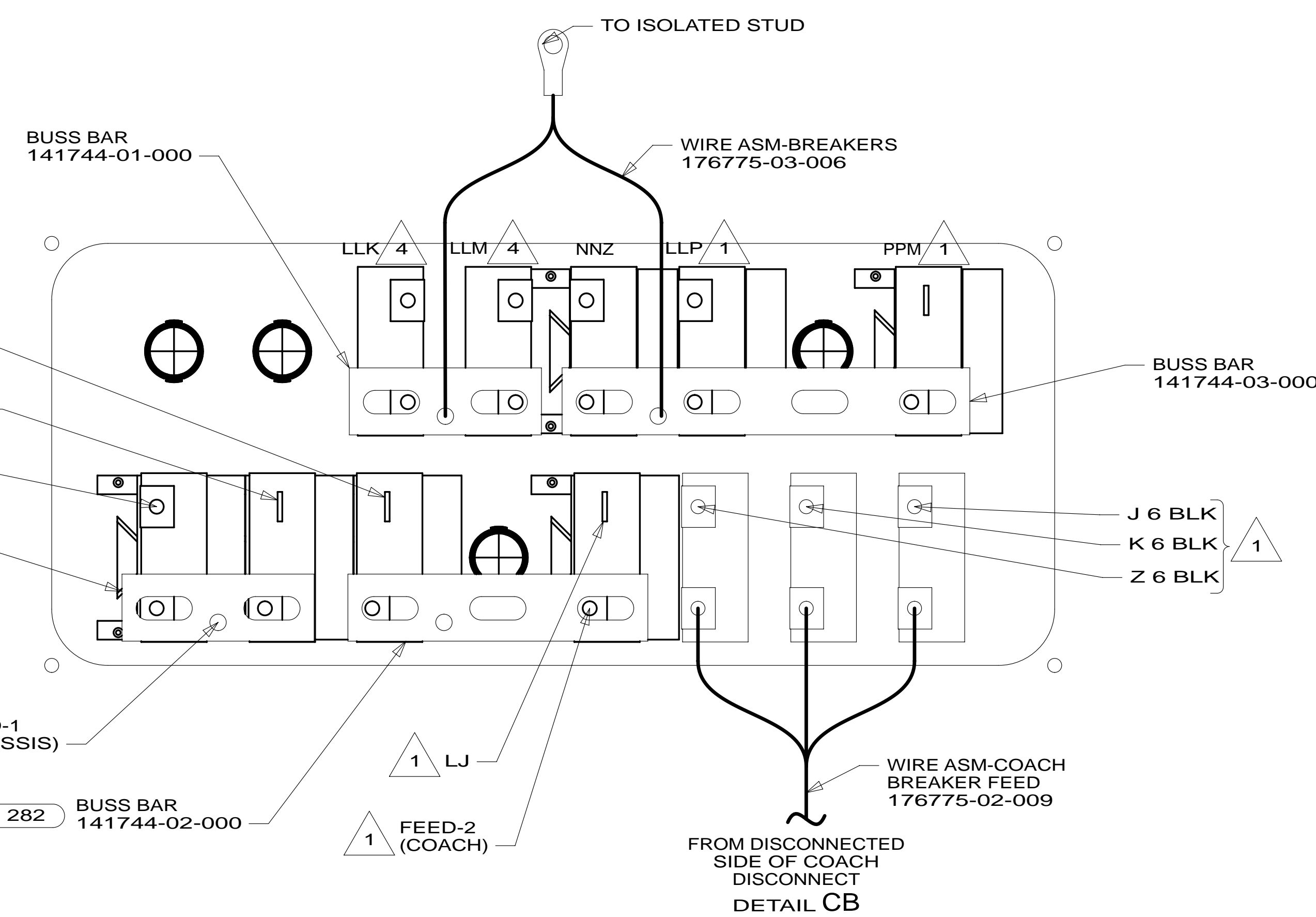
X-X  
FOR  
ELECTRICAL  
CALLOUTS  
SEE DWG NO.  
121339-01-000

NOTES:  
1 TAPE WIRES BACK WITH OPTION 29W

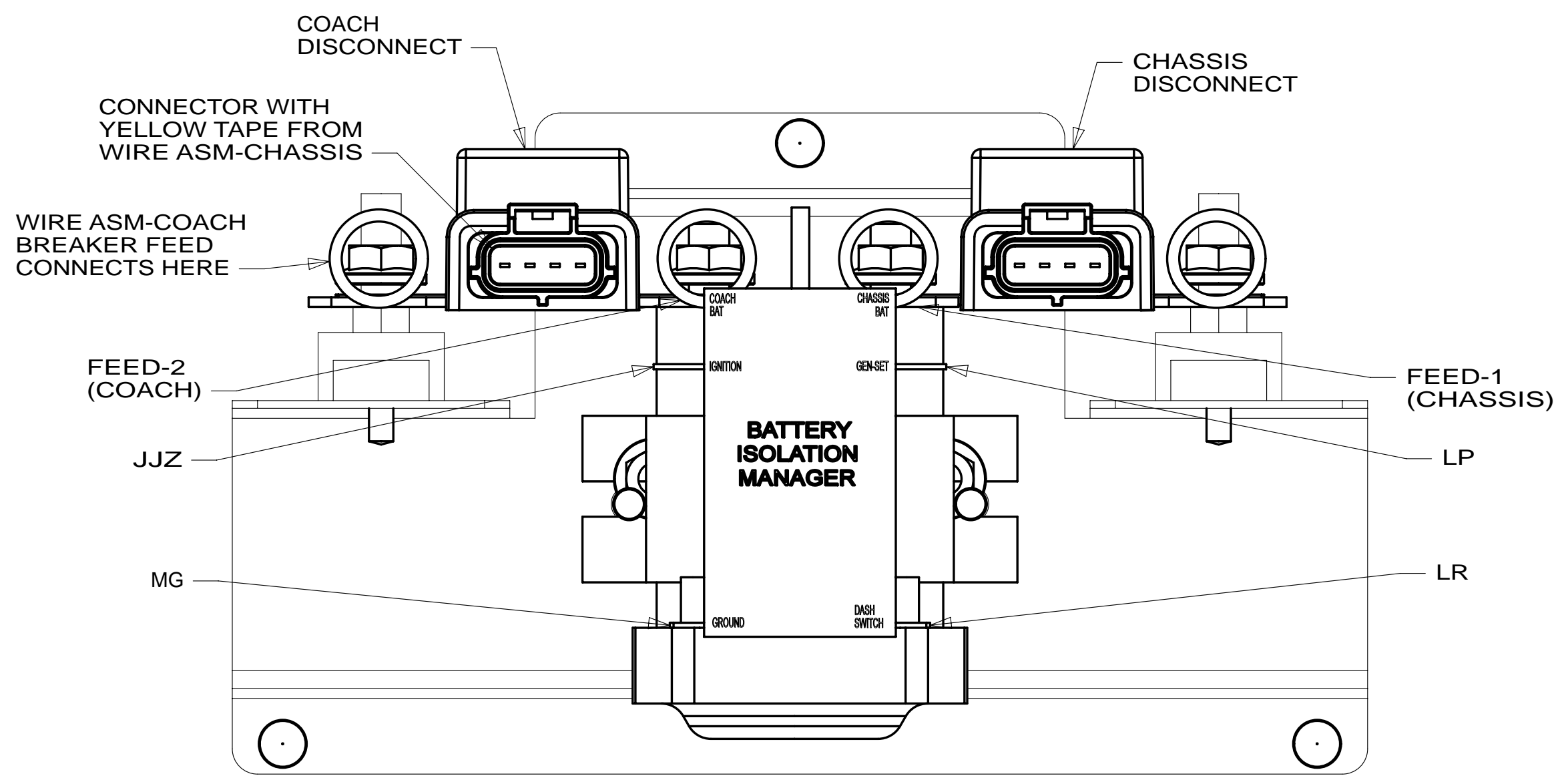
\*183748 \*A



DETAIL CA



DETAIL CA (BACK VIEW-COMPONENTS)



DETAIL CC 3

- NOTES:
- 5 REPLACE EXISTING SCREW TO PROPERLY ATTACH BREAKER TO BUSS BAR.
  - 4 FROM WIRE ASM-SLIDEOUT POWER.
  - 3 SEE BATTERY INSTL FOR ADDITIONAL INFORMATION.
  - 2 FROM WIRE ASM-CHASSIS. TIE BACK TO HARNESS WITH (29W)
  - 1 CIRCUITS BRANCH FROM WIRE ASM-CHASSIS.

- (29W) SOLAR PANEL/BATTERY CHRGR W/O
- (282) SOLAR PANEL - 100 WATT
- (265) CODES/STANDARDS-CSA/CMVSS
- (1B1) CODES/STANDARDS USA

FOR ELECTRICAL TORQUE SPECIFICATIONS SEE DWG NO. 128783-01-000

FOR ELECTRICAL CALLOUTS SEE DWG NO. 121339-01-000

FIRST USED

**14 P36M**

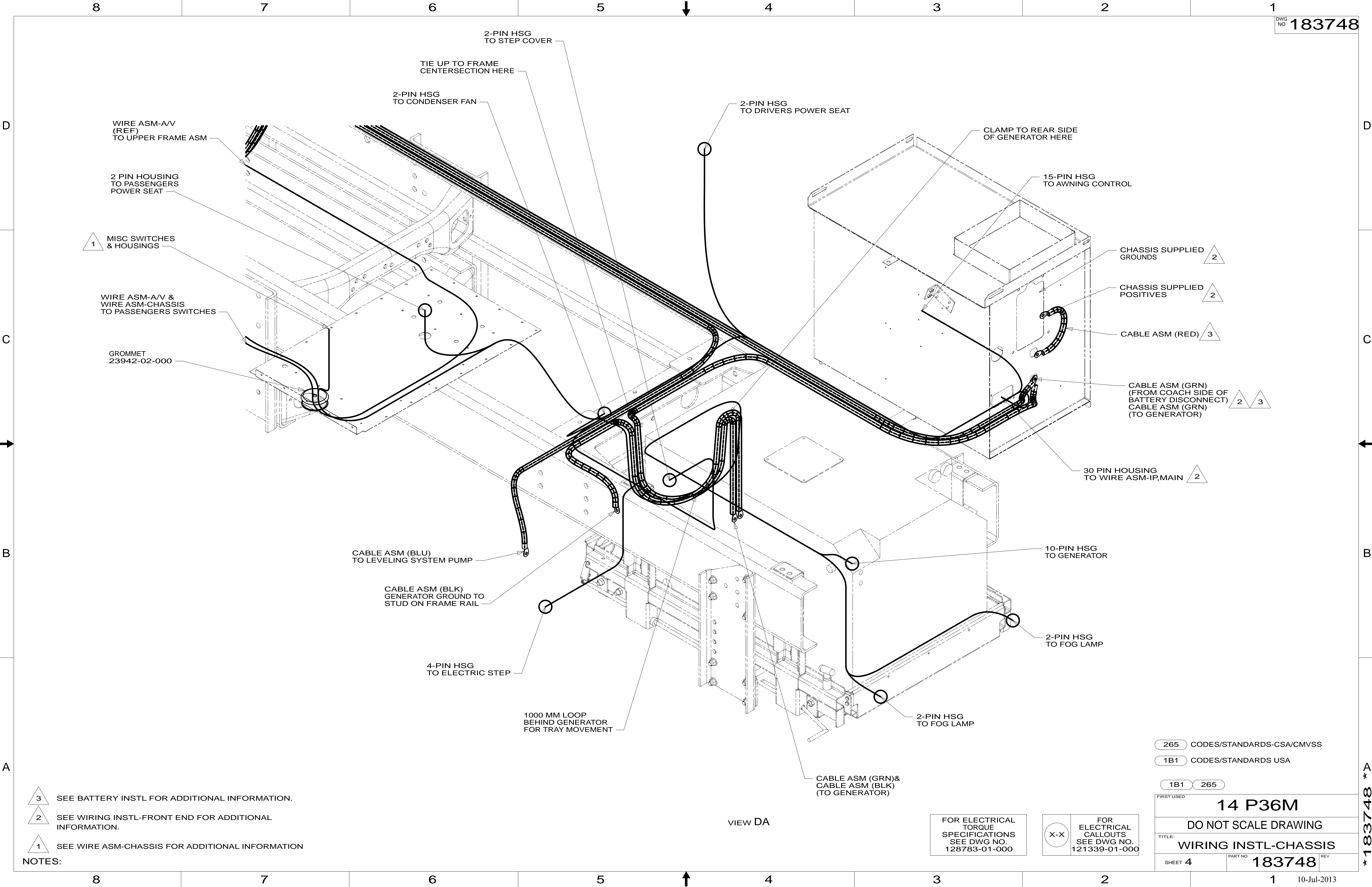
DO NOT SCALE DRAWING

TITLE: **WIRING INSTL-CHASSIS**

SHEET 3 PART NO **183748** REV

10-Jul-2013

\* 183748 \*



- NOTES:
- 3 SEE BATTERY INSTL FOR ADDITIONAL INFORMATION.
  - 2 SEE WIRING INSTL-FRONT END FOR ADDITIONAL INFORMATION.
  - 1 SEE WIRE ASM-CHASSIS FOR ADDITIONAL INFORMATION

- 265 CODES/STANDARDS-CSA/CMVSS
- 1B1 CODES/STANDARDS USA
- 1B1 265

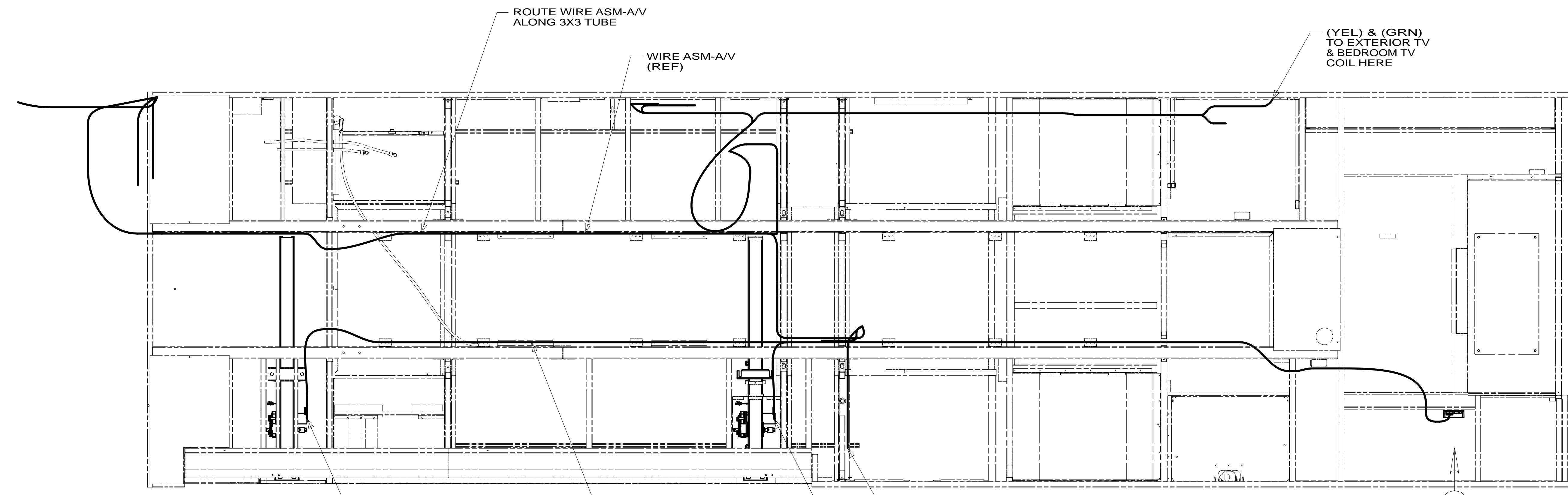
FIRST USED	
<b>14 P36M</b>	
DO NOT SCALE DRAWING	
TITLE: <b>WIRING INSTL-CHASSIS</b>	
SHEET 4	PART NO <b>183748</b> REV
	10-Jul-2013

FOR ELECTRICAL TORQUE SPECIFICATIONS SEE DWG NO. 128783-01-000

FOR ELECTRICAL CALLOUTS SEE DWG NO. 121339-01-000

VIEW DA

\* 183748 \* A



ROUTE WIRE ASM-AV  
ALONG 3X3 TUBE

WIRE ASM-AV  
(REF)

(YEL) & (GRN)  
TO EXTERIOR TV  
& BEDROOM TV  
COIL HERE

FRONT LEFT FRONT RAM  
2 PIN HSG  
TO SLIDEOUT RAM MOTOR  
CIRCUITS LLS,LLT  
3 PIN HSG  
TO SLIDEOUT RAM ENCODER  
CIRCUITS GGG,GGJ,GGH

WIRE ASM-SLIDEOUT RAMS  
171917-03-000

(BRN)  
TO MAIN TV  
COIL HERE

FRONT LEFT REAR RAM  
2 PIN HSG  
TO SLIDEOUT RAM MOTOR  
CIRCUITS LLU,LLW  
3 PIN HSG  
TO SLIDEOUT RAM ENCODER  
CIRCUITS GJK,GGM,GGL

WIRE ASM-  
SLIDEOUT POWER  
149552-37-000  
4 PIN HSG  
CIRCUITS  
LLK,LLT,  
LLW,LLU

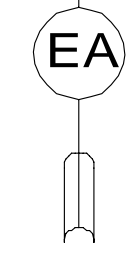
FROM WIRE  
ASM-COACH  
10 PIN HSG  
CIRCUITS  
DU,GGD,GGE,  
GGF,DR,VVP,  
DDJ,VVN,VVR

FROM WIRE  
ASM-SLIDEOUT  
RAM,LEFT  
6 PIN HSG  
CIRCUITS  
GGH,GGG,GGJ  
GGL,GJK,GGM

WIRE ASM-  
SLIDEOUT  
RAM,LEFT  
5 PIN HSG  
CIRCUITS  
LLS,LLT,LLW,LLU

CONTROL-FLS/RPE,DUAL RA  
171058-02-000  
SCREW  
G39-08-12U (4)  
FUSE-5 AMP  
62901-02-000

VIEW EA



1. ALL WIRES TO BE CLAMPED WITH 10495-01-000  
OR WIRE TIE 8343-02-000 EVERY 600MM, UNLESS  
OTHERWISE SPECIFIED.

NOTES:

FOR ELECTRICAL  
TORQUE  
SPECIFICATIONS  
SEE DWG NO.  
128783-01-000

FOR  
ELECTRICAL  
CALLOUTS  
SEE DWG NO.  
121339-01-000

- 265 CODES/STANDARDS-CSA/CMVSS
- 1B1 CODES/STANDARDS USA
- 1B1 265

FIRST USED	<b>14 P36M</b>	
<b>DO NOT SCALE DRAWING</b>		
<b>TITLE: WIRING INSTL-CHASSIS</b>		
SHEET 5	PART NO <b>183748</b>	REV

\*183748 \*A