



**DANGER**

**Danger of electrical shock, burns or death.** Always remove all power sources before attempting any repair, service or diagnostic work. Power can be present from shore power, generator, inverter or battery. All power sources must be disabled and secured before performing any service.

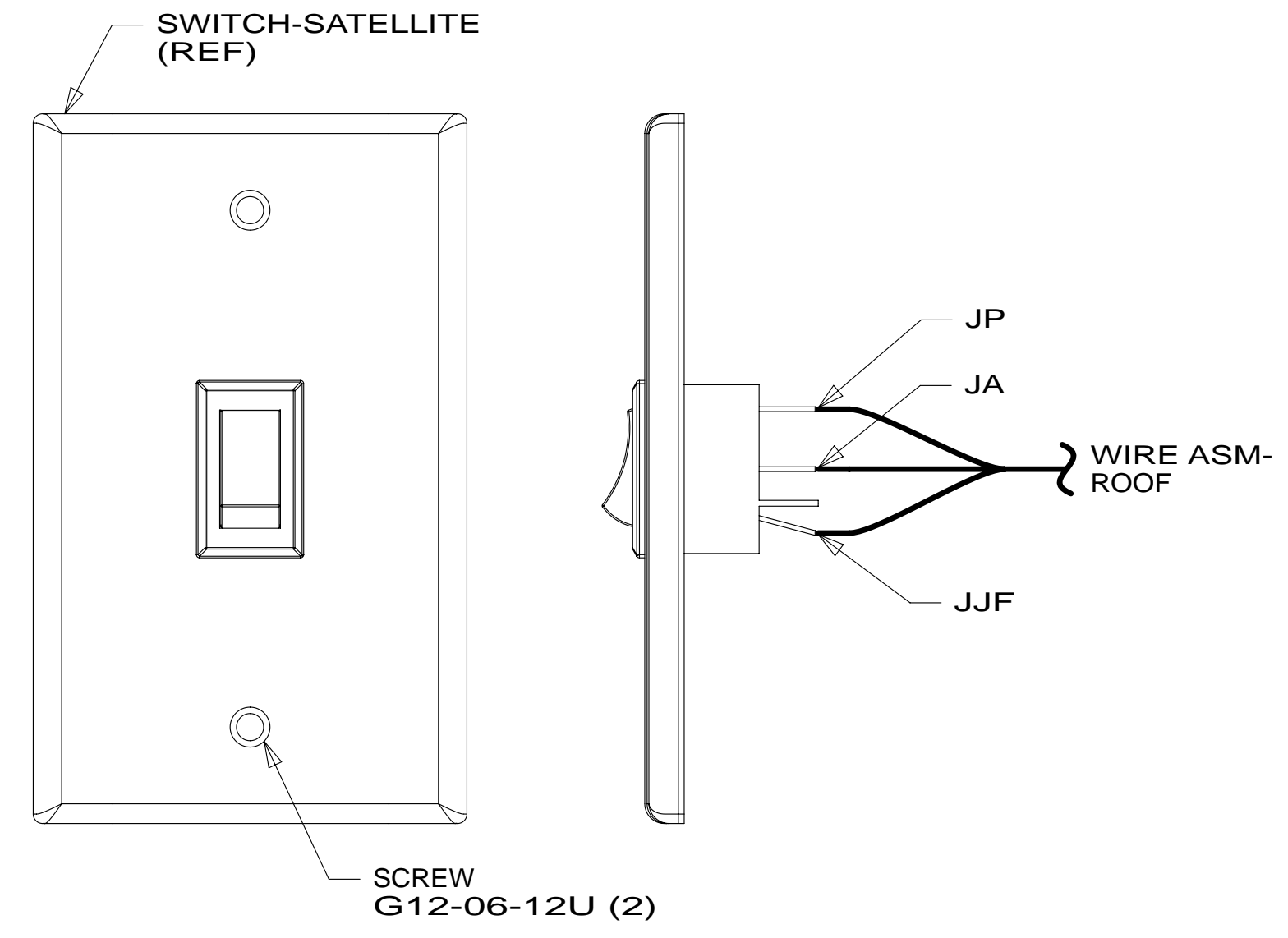
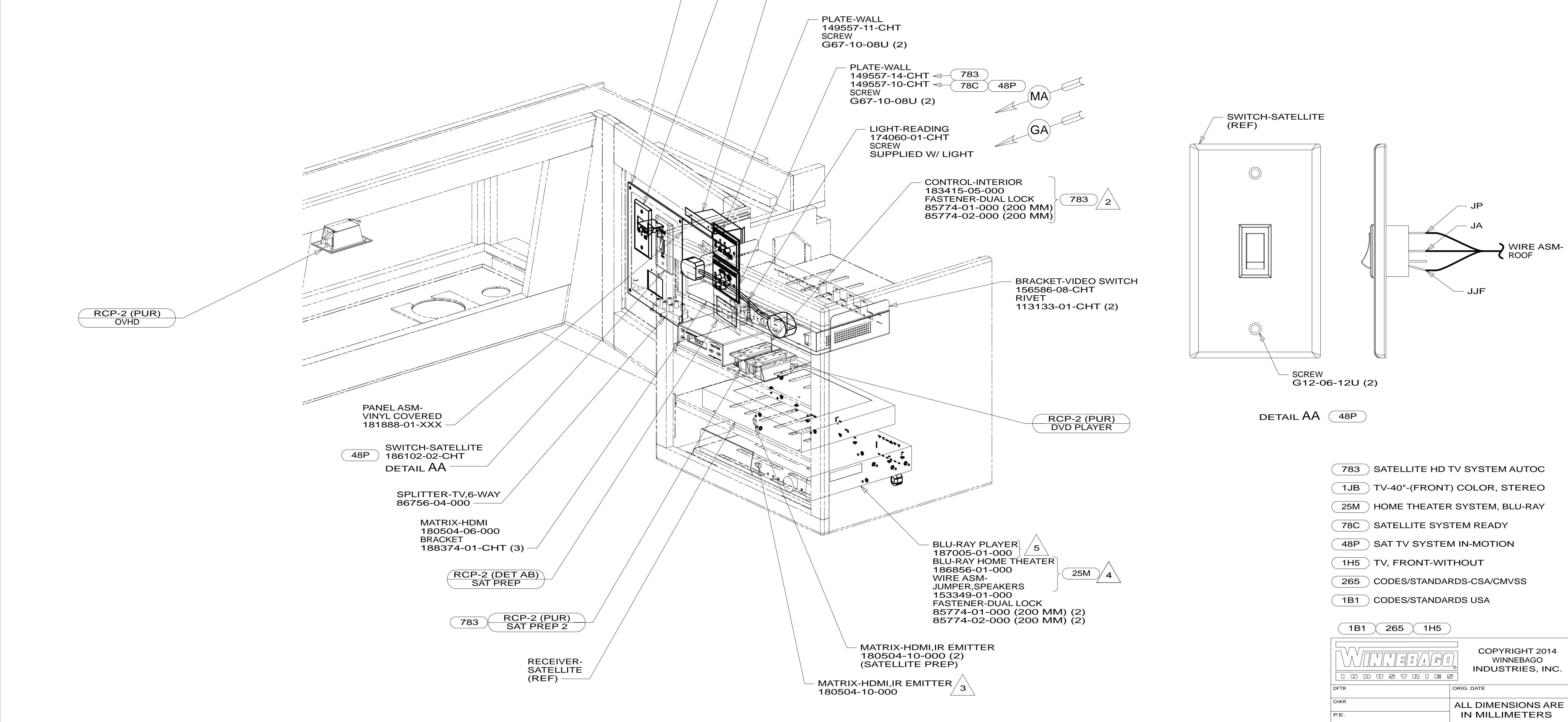


**CAUTION**

If you lack the skills, tools or equipment to perform diagnostic or repair work leave such work to an authorized Winnebago Industries dealer or other qualified shop.

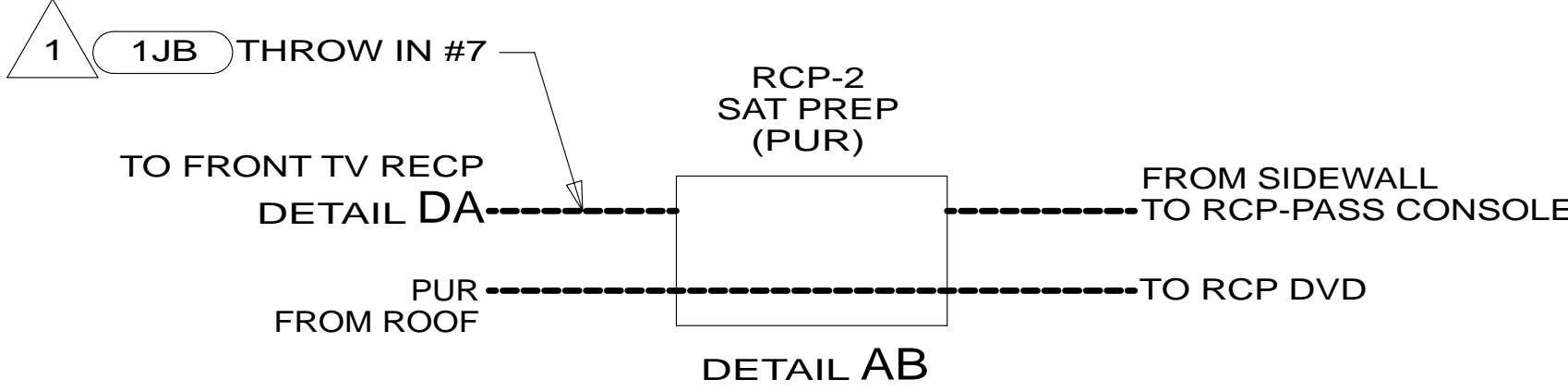
DRAWING NO.	SHEETS	MODEL
183745-01	1,2,3,7	P40U
183745-02	1,4,5,6,12	P36M
183745-03	1,7,8,9	P34B
183745-04	1,7,10,11	P42E

RELEASE	REV/DATE	DWG NO	183745
REV ZONE	REVISION RECORD	DATE	DFT-ORIG



- 783 SATELLITE HD TV SYSTEM AUTOC
- 1JB TV-40"-(FRONT) COLOR, STEREO
- 25M HOME THEATER SYSTEM, BLU-RAY
- 78C SATELLITE SYSTEM READY
- 48P SAT TV SYSTEM IN-MOTION
- 1H5 TV, FRONT-WITHOUT
- 265 CODES/STANDARDS-CSA/CMVSS
- 1B1 CODES/STANDARDS USA

- NOTES:**
- 5 USED WITHOUT 25M
  - 4 SET BLU-RAY PLAYER TO A MAX VIDEO OUTPUT OF 1080i.
  - 3 STICK I.E. FOR HOME THEATER ON FRONT OF HOME THEATER AS SHOWN. (150 MM FROM RIGHT SIDE)
  - 2 INTERIOR CONTROL CONNECTS TO SATELLITE DATA CABLE. SEE ROOF ASM FOR ADDITIONAL INFORMATION.
  - 1 SEE LOAD CENTER/ATS FOR ADDITIONAL INFORMATION.

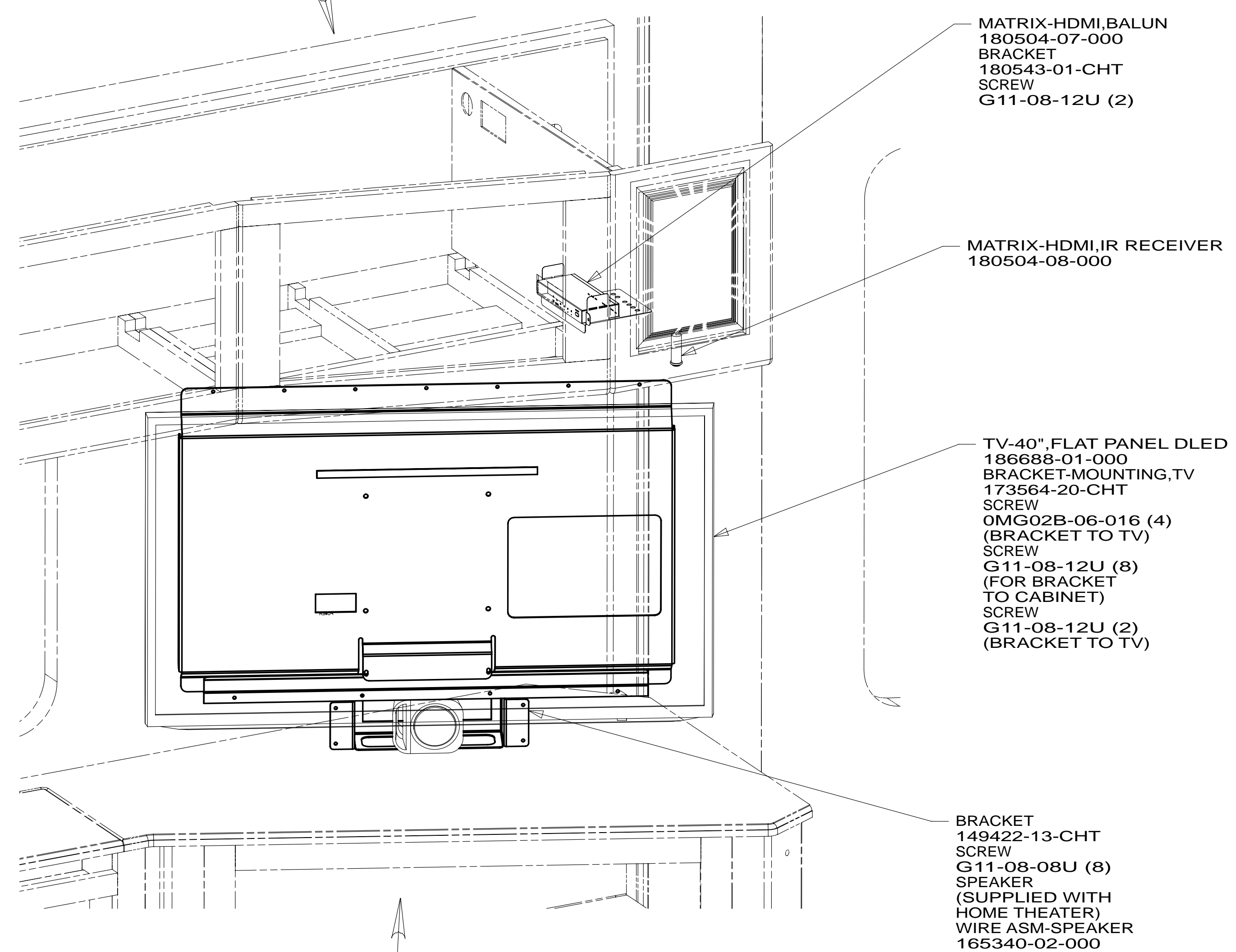


FOR ELECTRICAL TORQUE SPECIFICATIONS SEE DWG NO. 128783-01-000

FOR ELECTRICAL CALLOUTS SEE DWG NO. 121339-01-000

		COPYRIGHT 2014 WINNEBAGO INDUSTRIES, INC.
DFT-ORIG	ORIG. DATE	<b>14 P-SERIES</b>
CHKR	ALL DIMENSIONS ARE IN MILLIMETERS	
P.E.	FIRST USED	
M.E.		
DSNR		
UNSPECIFIED TOLERANCES ARE:		MATERIAL:
WHOLE DIM (X)	: 3	
ONE-PLACE (X.X)	: 1.5	
TWO-PLACE (X.XX)	: 0.50	
ANGLE	: 1°	
THIRD ANGLE PROJECTION		
DO NOT SCALE DRAWING	REFER TO ES0018 FOR FASTENER TIGHTENING GUIDELINES	
<b>TITLE: WIRING INSTL-TV/DVD</b>		
SHEET 1 OF 12	PART NO 183745	REV
REF:	1	01-Aug-2014

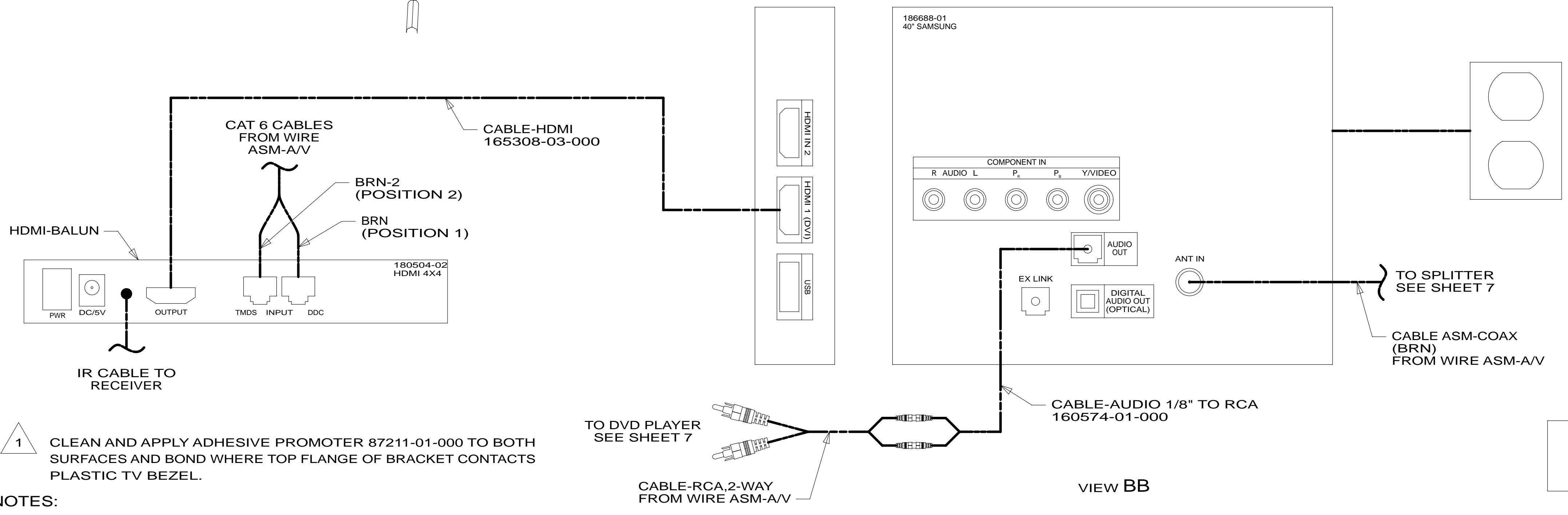
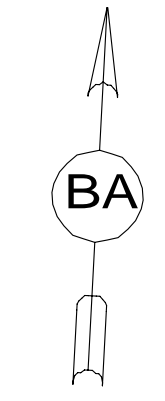
\* 183745 \*



1 TAPE-FOAM  
76322-21-000 (360 MM)

CLIP-TRIM  
130034-01-CHT  
SCREW  
G11-08-12U (4)

VIEW BA  
(TV NOT SHOWN)



1 CLEAN AND APPLY ADHESIVE PROMOTER 87211-01-000 TO BOTH SURFACES AND BOND WHERE TOP FLANGE OF BRACKET CONTACTS PLASTIC TV BEZEL.

FOR ELECTRICAL TORQUE SPECIFICATIONS SEE DWG NO. 128783-01-000

FOR ELECTRICAL CALLOUTS SEE DWG NO. 121339-01-000

265 CODES/STANDARDS-CSA/CMVSS

1B1 CODES/STANDARDS USA

1B1 265

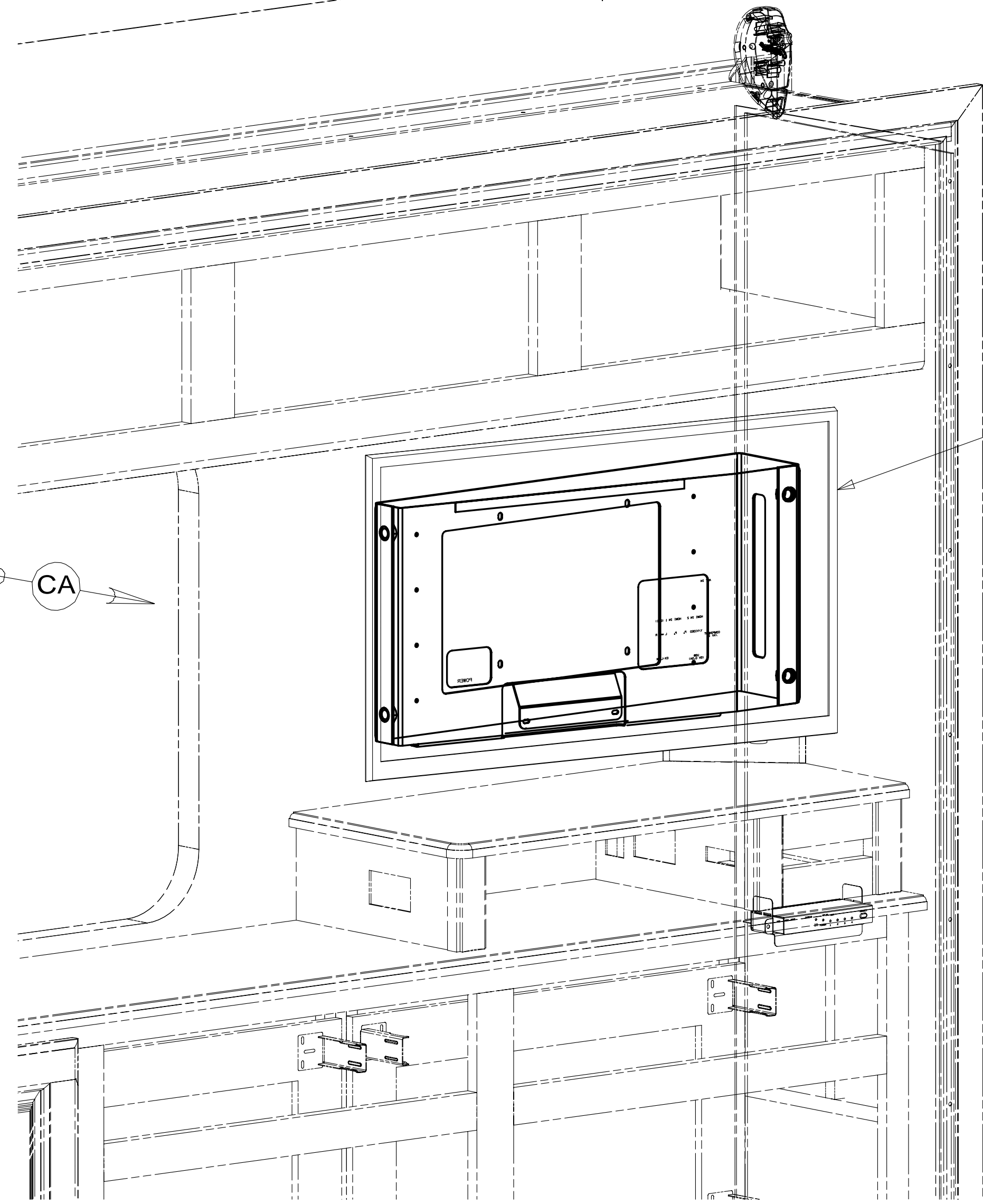
14 P-SERIES

DO NOT SCALE DRAWING

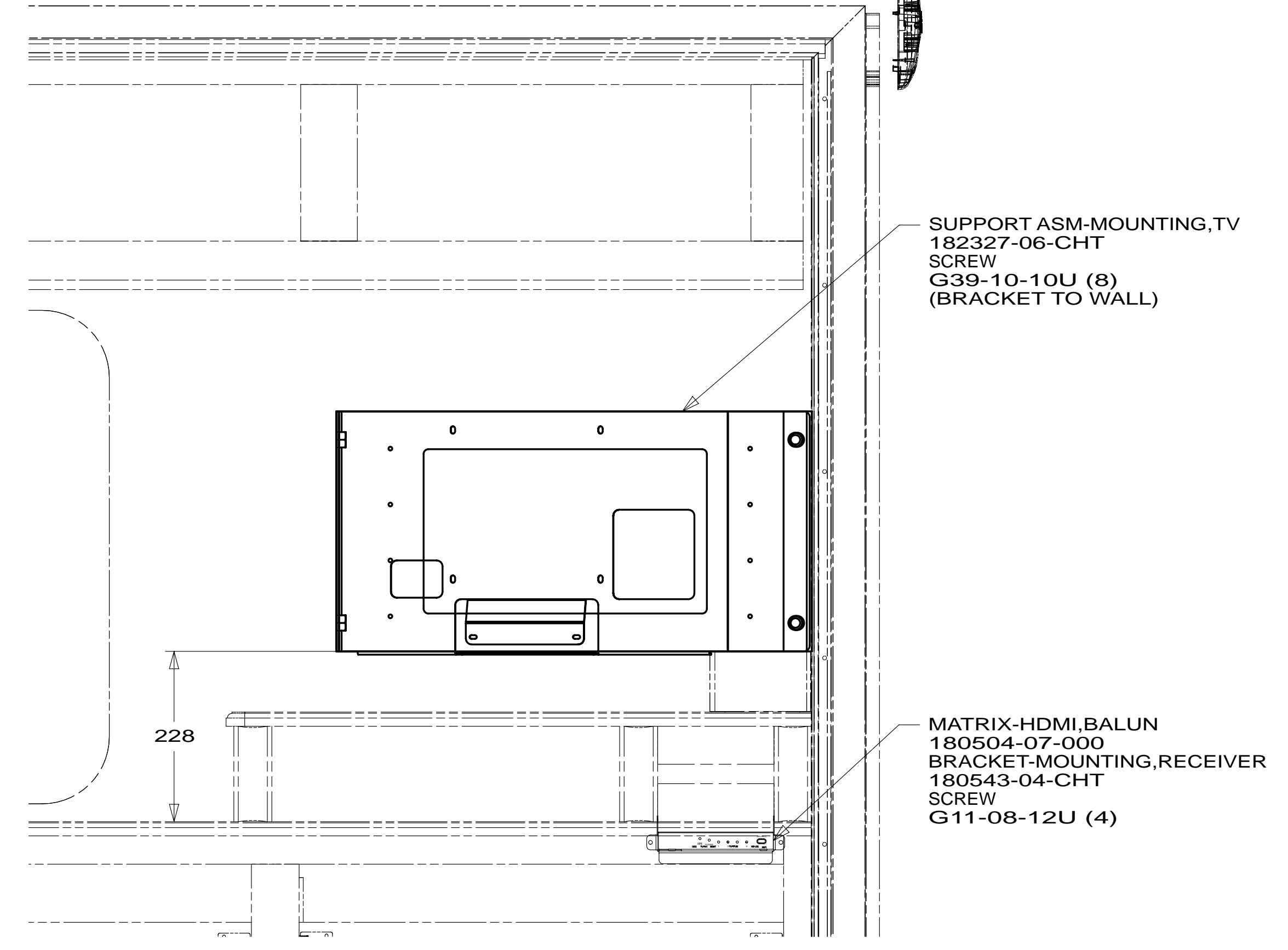
TITLE: WIRING INSTL-TV/DVD

SHEET 2 PART NO. 183745 REV

\* 183745 \*



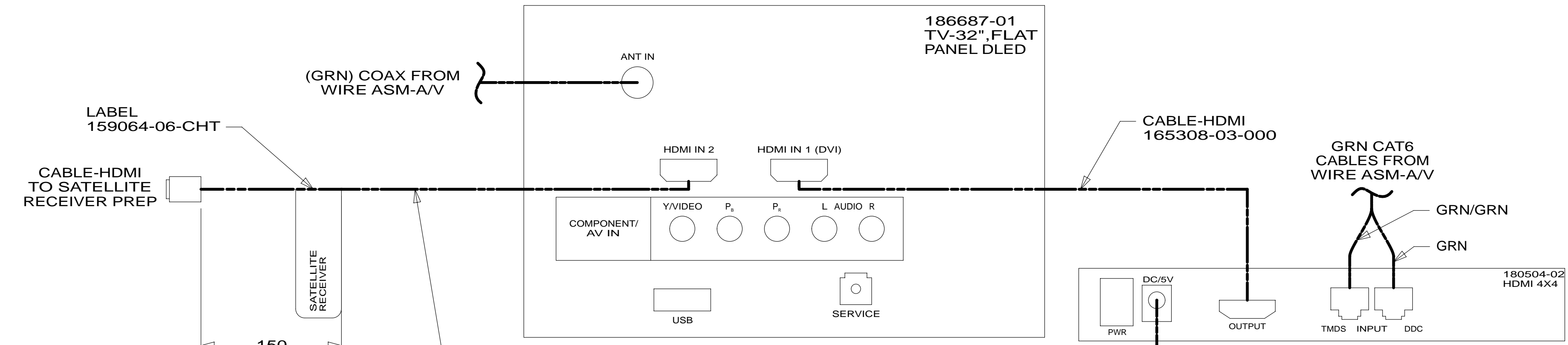
TV-32",FLAT PANEL DLED  
186687-01-000  
SCREW  
OMG02B-06-016 (4)  
(BRACKET TO TV)  
SCREW  
G11-08-16U (2)  
(BRACKET TO TV)



SUPPORT ASM-MOUNTING,TV  
182327-06-CHT  
SCREW  
G39-10-10U (8)  
(BRACKET TO WALL)

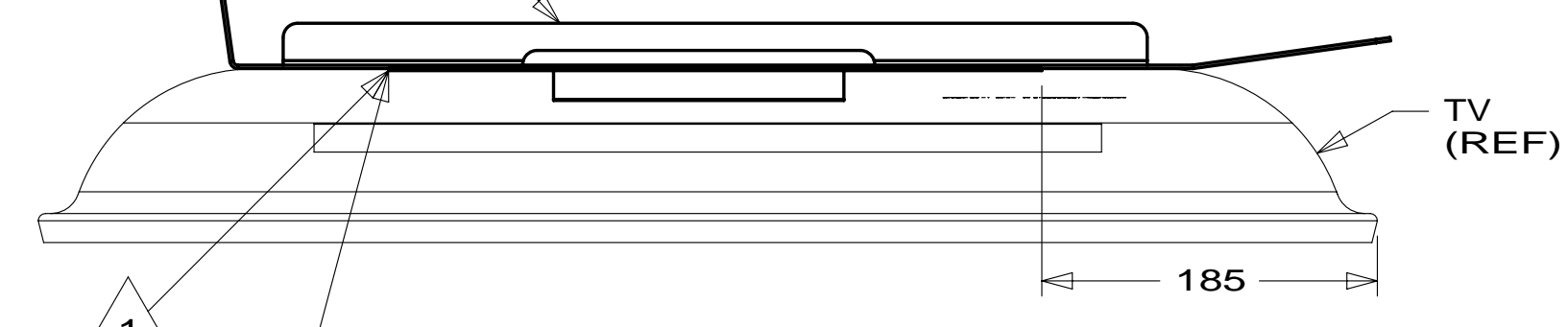
MATRIX-HDMI,BALUN  
180504-07-000  
BRACKET-MOUNTING,RECEIVER  
180543-04-CHT  
SCREW  
G11-08-12U (4)

VIEW CB



DETAIL CA

SUPPORT ASM-MOUNTING,TV  
182328-06-CHT  
BOLT  
C12-08-24B (4)  
(BRACKET TO BRACKET)



TAPE-FOAM, DBL COATED  
76322-21-000 (360 MM)

VIEW CC

1 CLEAN AND APPLY ADHESIVE PROMOTER 87211-01-000 TO BOTH SURFACES AND BOND WHERE TOP FLANGE OF BRACKET CONTACTS PLASTIC TV BEZEL.

NOTES:

FOR ELECTRICAL TORQUE SPECIFICATIONS SEE DWG NO. 128783-01-000

FOR ELECTRICAL CALLOUTS SEE DWG NO. 121339-01-000

265 CODES/STANDARDS-CSA/CMVSS  
1B1 CODES/STANDARDS USA

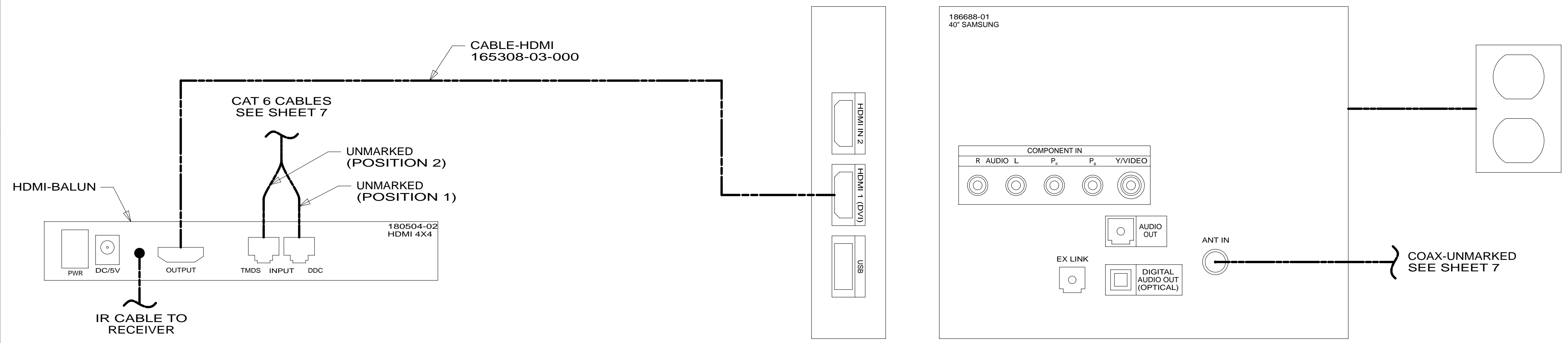
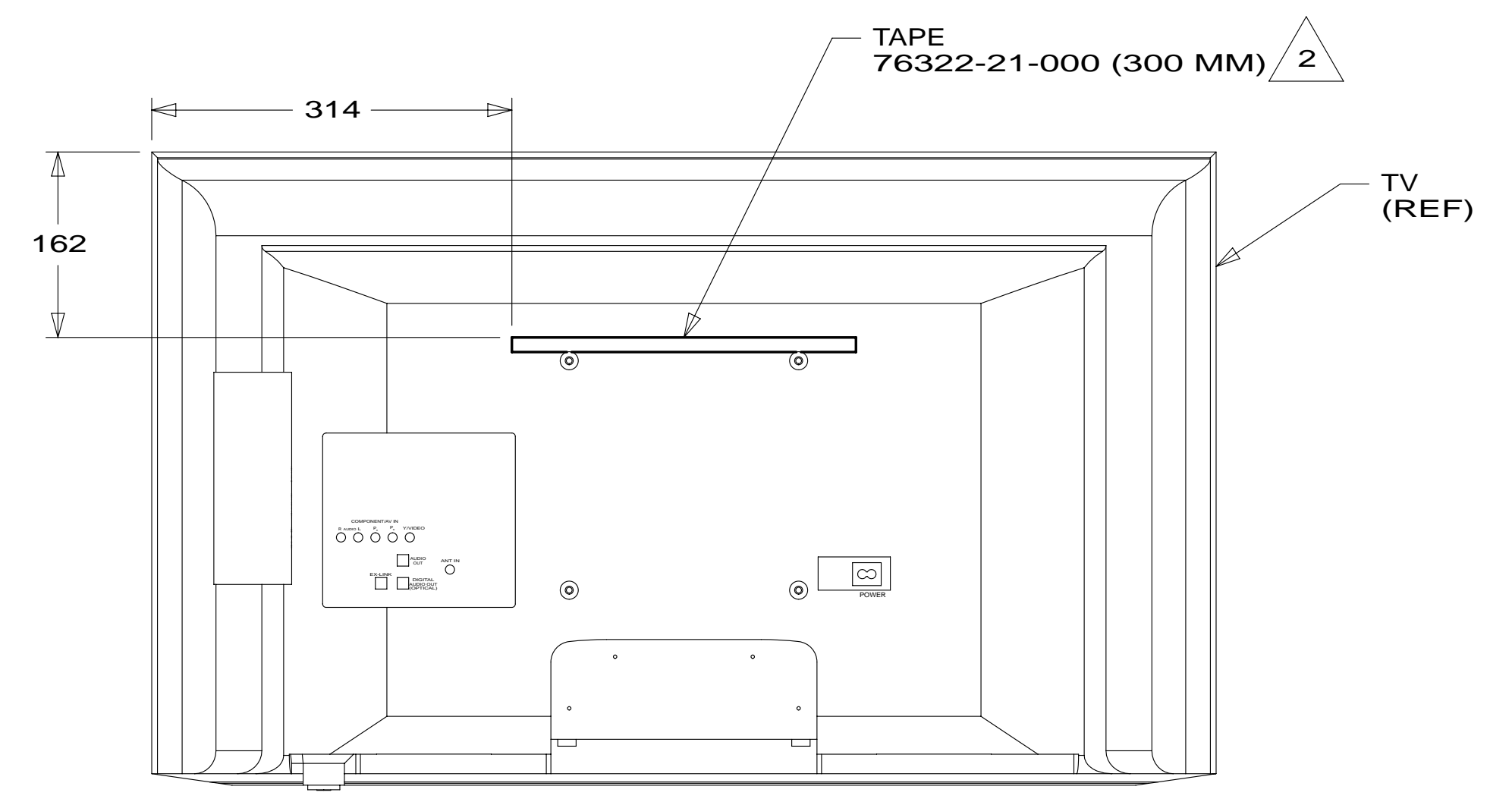
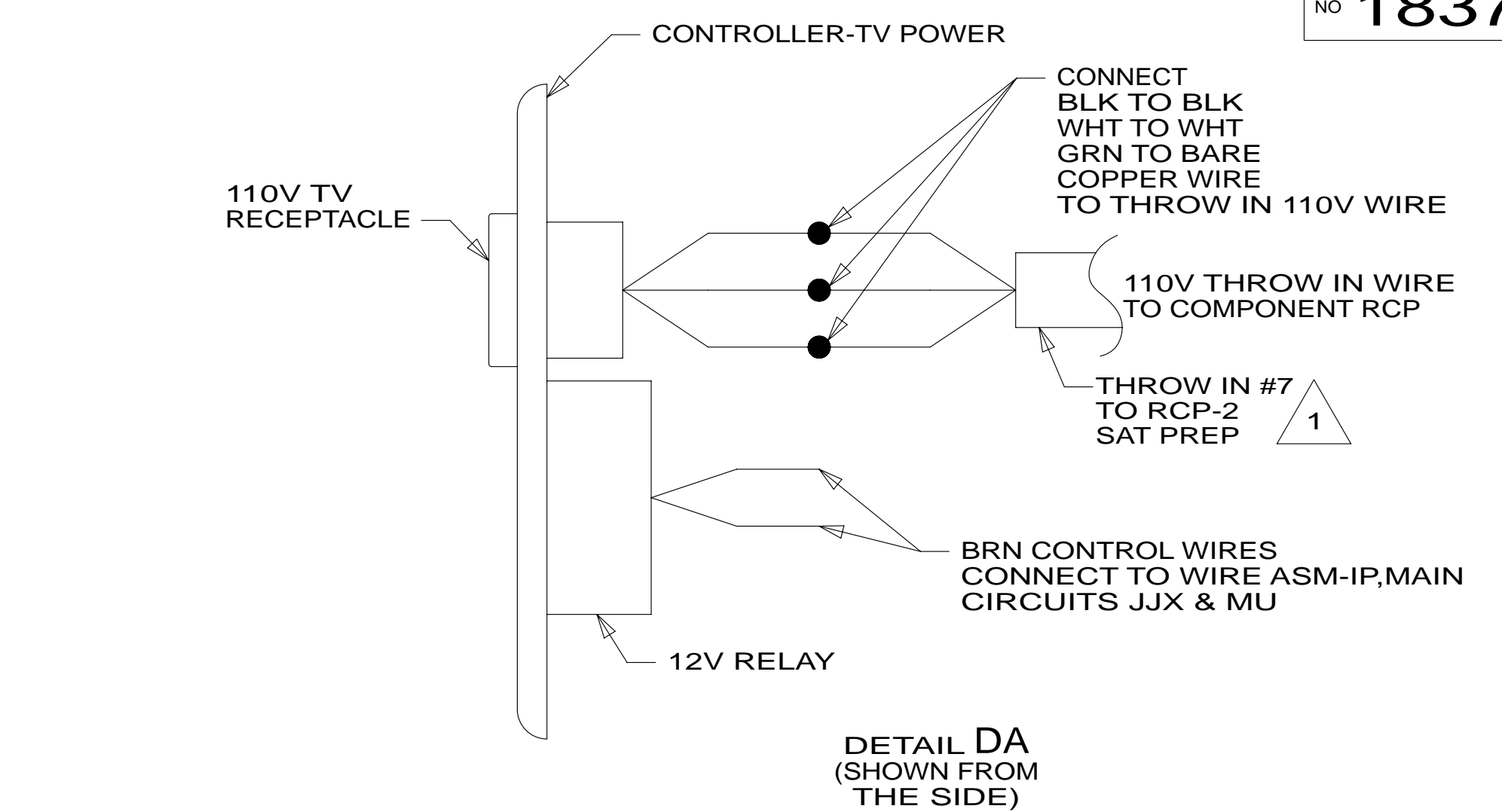
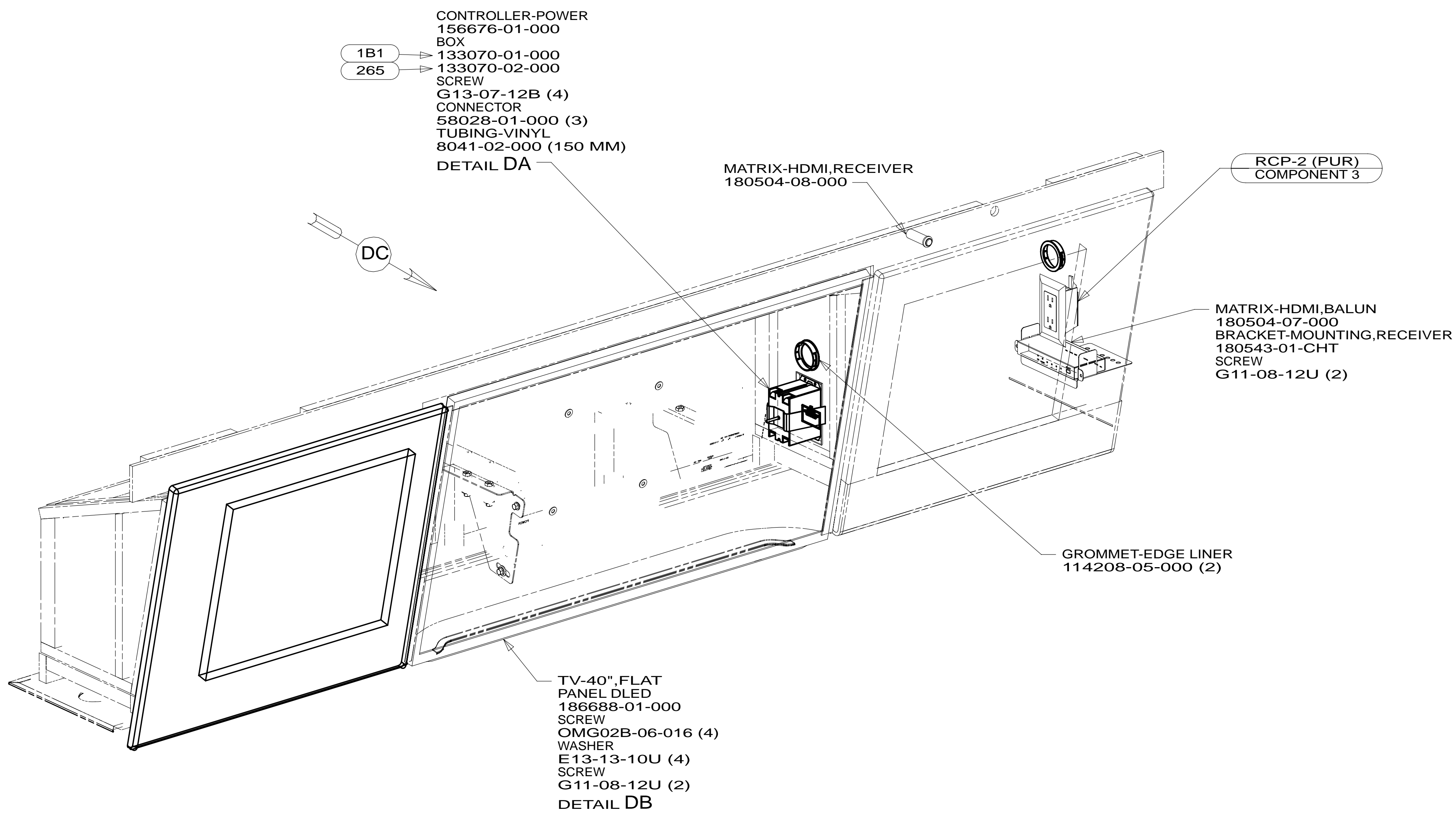
1B1 265

FIRST USED 14 P-SERIES

DO NOT SCALE DRAWING

TITLE: WIRING INSTL-TV/DVD

SHEET 3 PART NO 183745 REV



- 25M HOME THEATER SYSTEM, BLU-RAY
- 1JM HOME THEATER SOUND SYSTEM
- 1JB TV-40"-(FRONT) COLOR, STEREO
- 265 CODES/STANDARDS-CSA/CMVSS
- 1B1 CODES/STANDARDS USA

1B1	265	1JB
FIRST USED		
<b>14 P-SERIES</b>		
DO NOT SCALE DRAWING		
TITLE: <b>WIRING INSTL-TV/DVD</b>		
SHEET 4	PART NO <b>183745</b>	REV
01-Aug-2014		

2 CLEAN AND APPLY ADHESIVE PROMOTER 87211-01-000 TO BOTH SURFACES AND BOND WHERE TOP FLANGE OF BRACKET CONTACTS PLASTIC TV BEZEL.

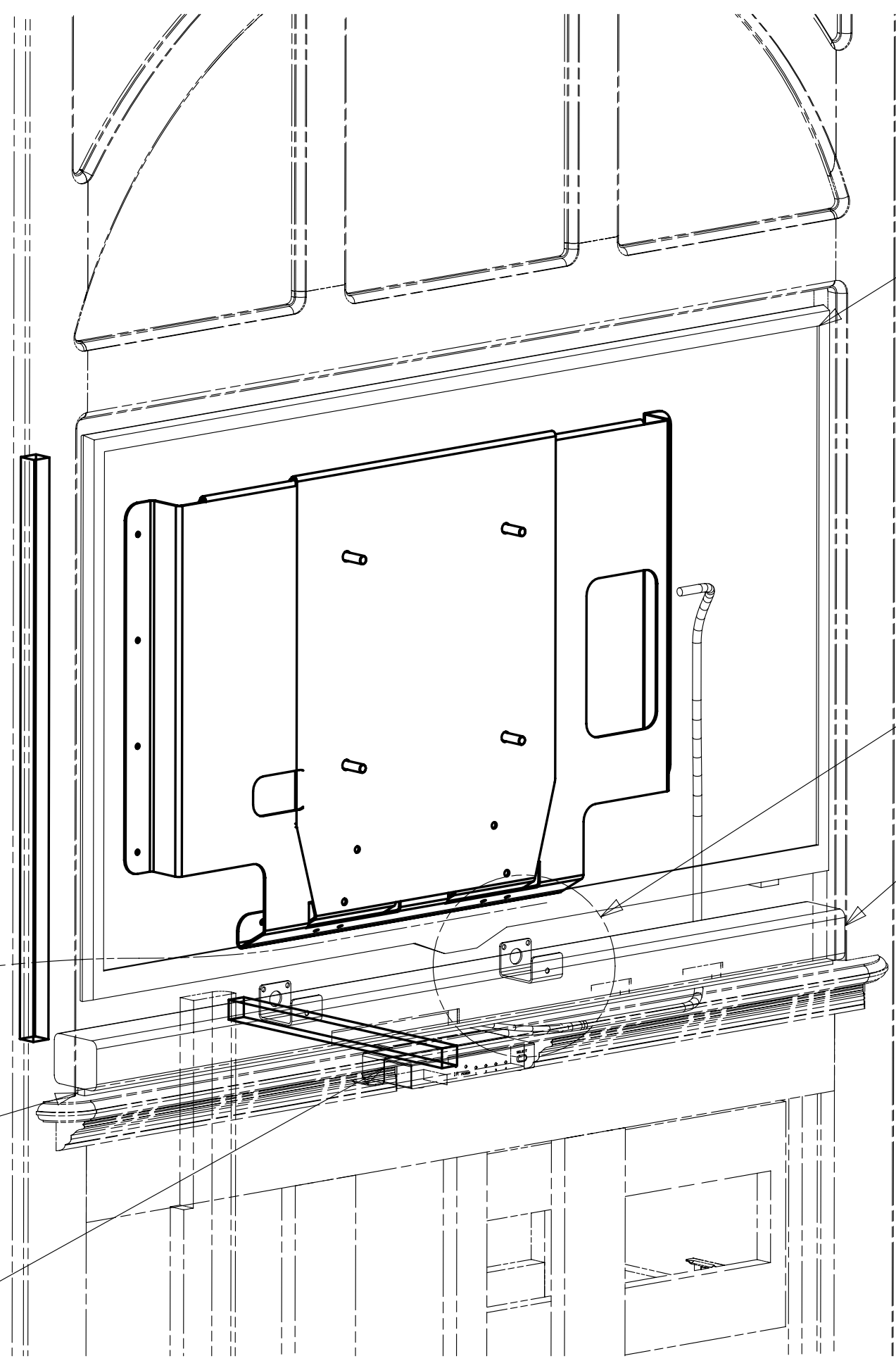
1 SEE LOAD CENTER/ATS FOR ADDITIONAL INFORMATION.

NOTES:

FOR ELECTRICAL TORQUE SPECIFICATIONS SEE DWG NO. 128783-01-000

FOR ELECTRICAL CALLOUTS SEE DWG NO. 121339-01-000

\* 183745 \* A



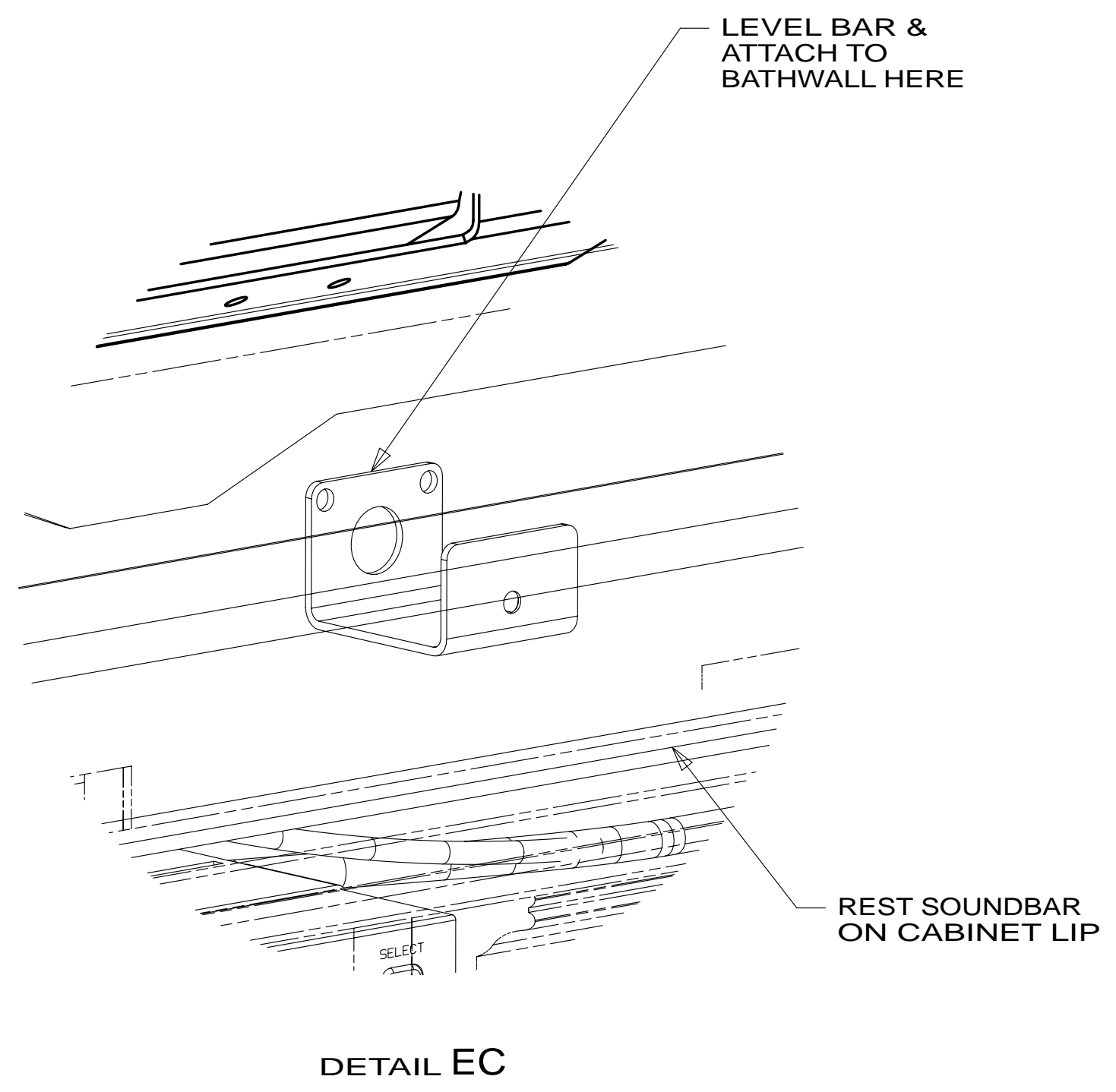
TV-40", FLAT PANEL LED, HDTV  
180419-03-000  
PLATE-TV  
169584-08-CHT  
BOLT  
OMC31K-08-025 (4)  
WASHER  
E11-08-00U (4)  
SCREW  
G39-08-12U (4)

DETAIL EC

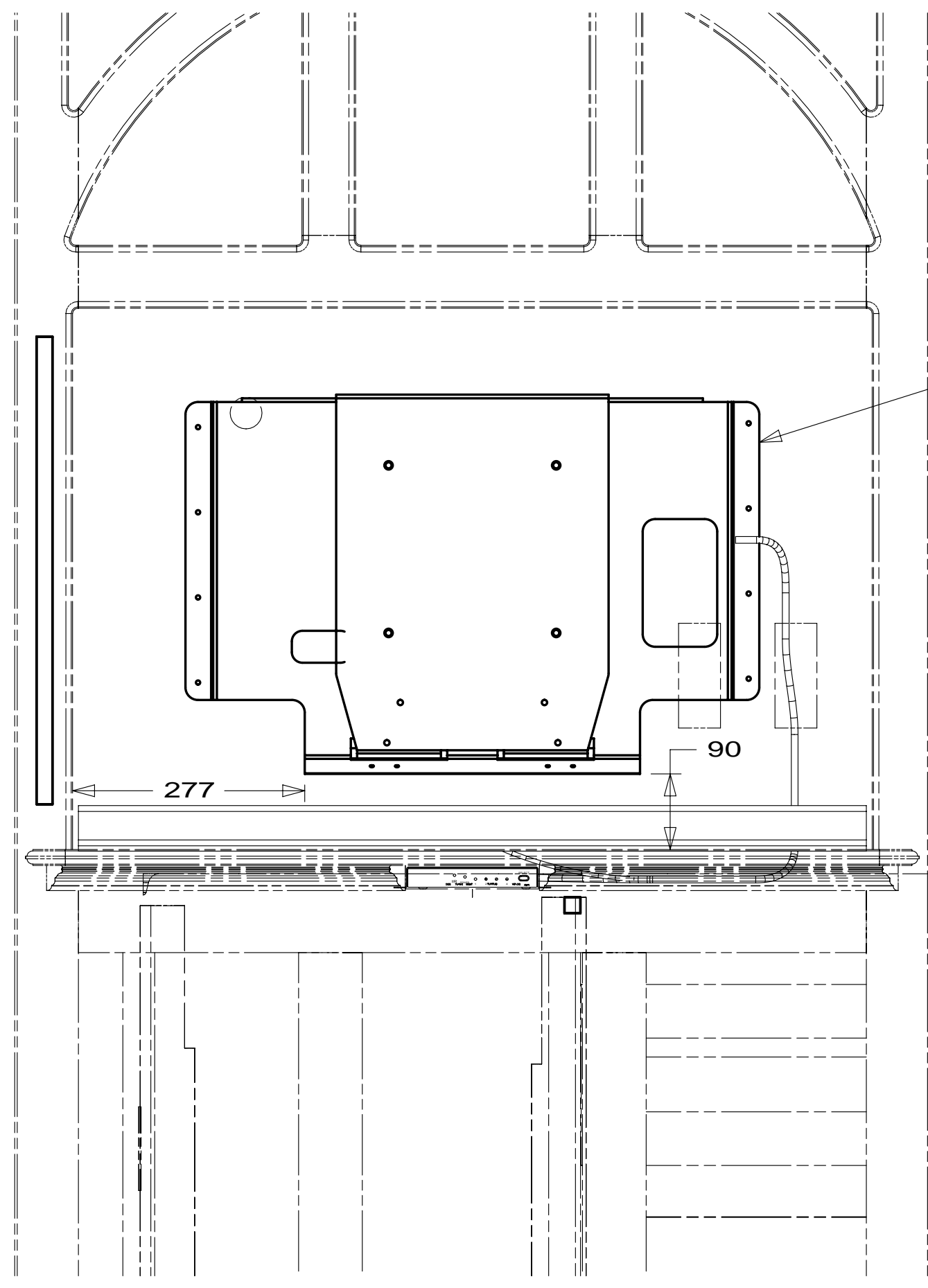
SPEAKER-SOUNDBAR W/SUB  
187004-01-000  
BRACKET-SOUNDBAR  
187133-01-CHT (2)  
SCREW  
G11-08-12U (4)  
(REMOVE STUD FROM SOUND BAR & ATTACH BRACKET WITH SUPPLIED SCREWS)

SEAL  
154585-08-CHT  
(940 MM)  
(TRIM AROUND FEET & DO NOT COVER VENT)

MATRIX-HDMI, BALUN  
180504-07-000  
BRACKET  
180543-08-CHT  
SCREW  
G11-08-12U (2)

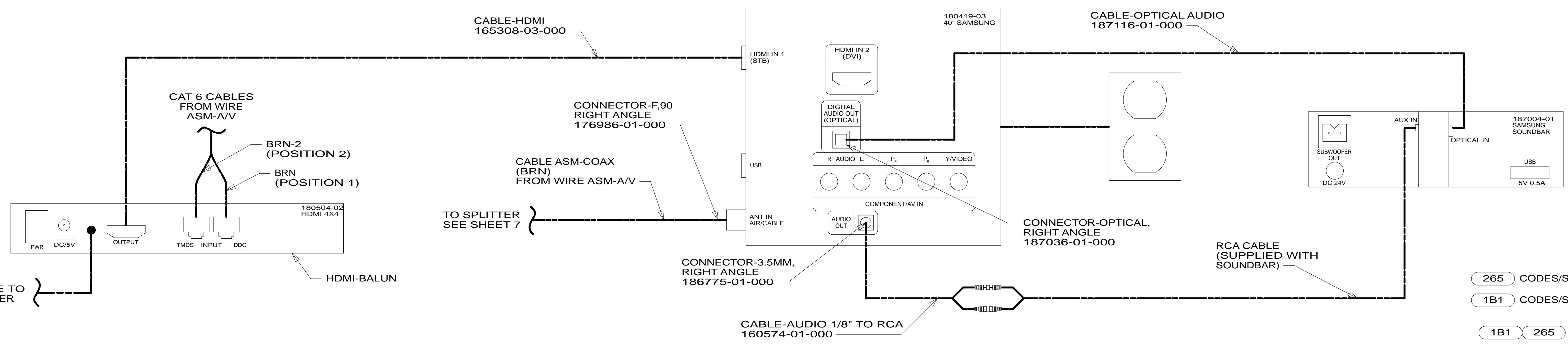


DETAIL EC



BRACKET-TV  
182334-02-CHT  
SCREW  
G11-08-12U (12)

VIEW EA  
(TV NOT SHOWN)



VIEW EB

265 CODES/STANDARDS-CSA/CMVSS  
1B1 CODES/STANDARDS USA

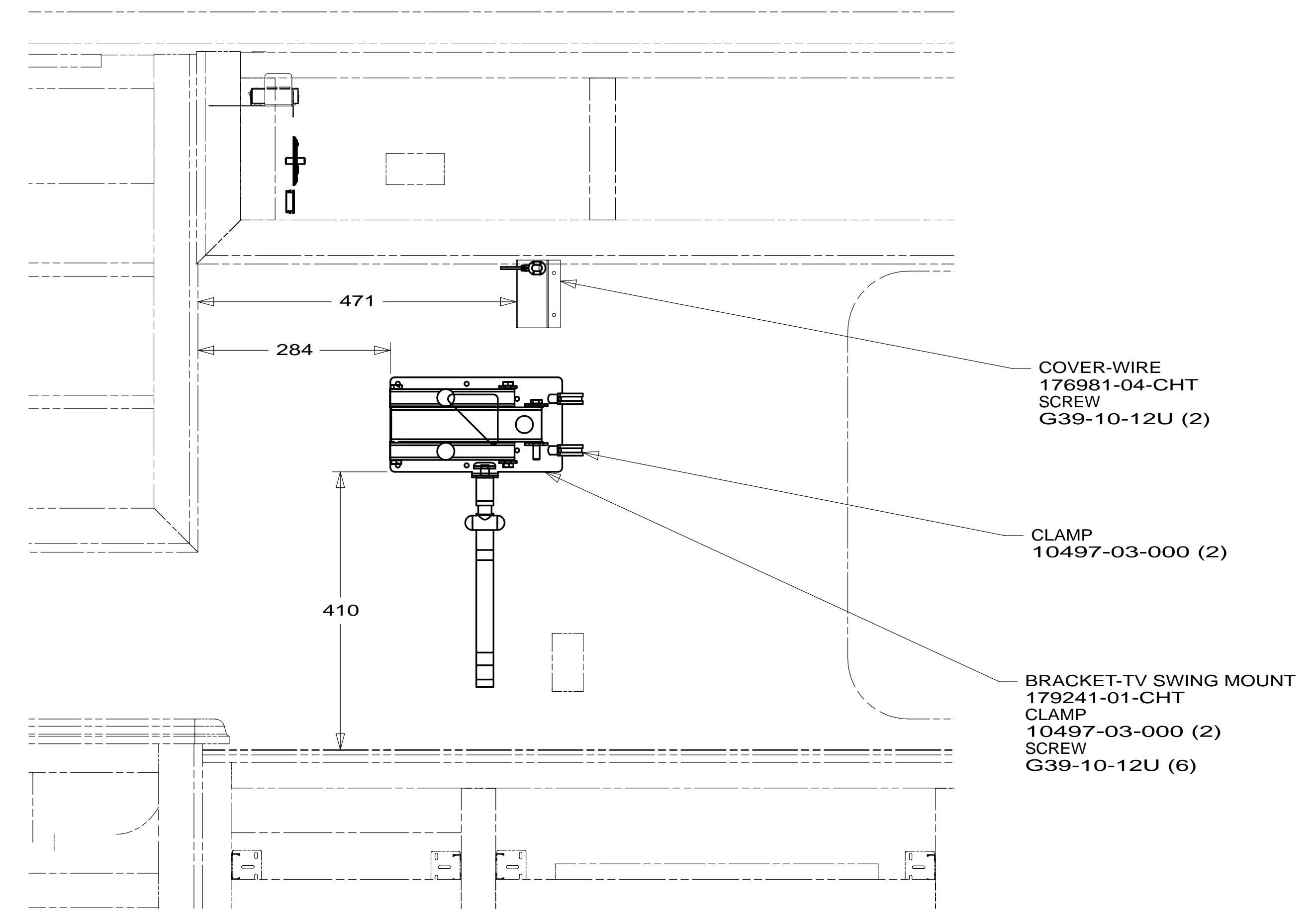
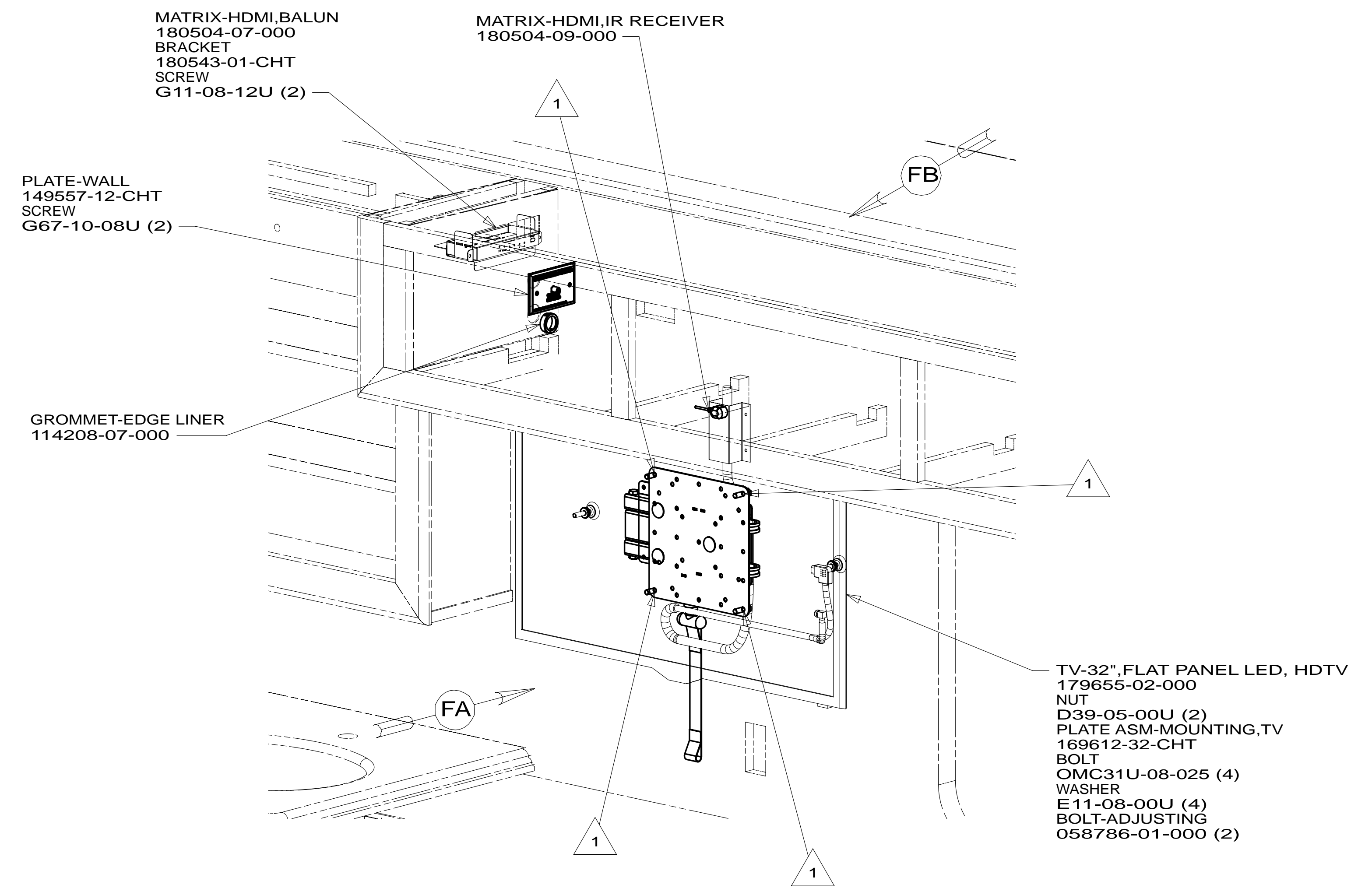
1B1 265

FIRST USED	
<b>14 P-SERIES</b>	
DO NOT SCALE DRAWING	
TITLE: <b>WIRING INSTL-TV/DVD</b>	
SHEET 5	PART NO. <b>183745</b> REV

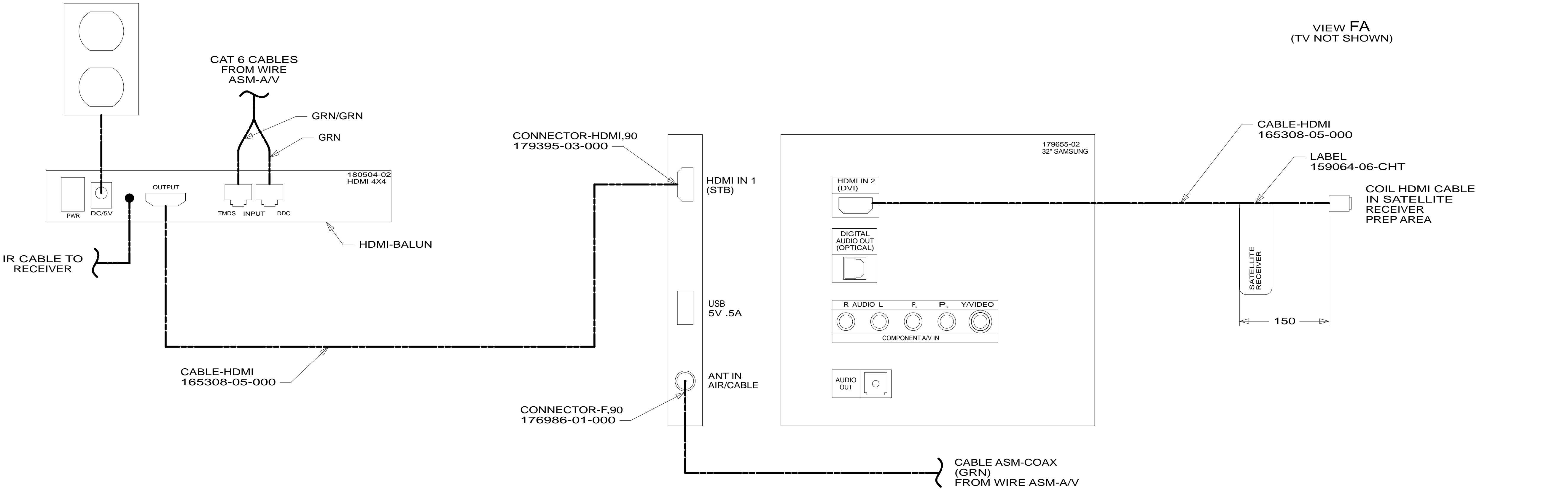
FOR ELECTRICAL TORQUE SPECIFICATIONS SEE DWG NO. 128783-01-000

FOR ELECTRICAL CALLOUTS SEE DWG NO. 121339-01-000

\*183745\*



VIEW FA  
(TV NOT SHOWN)



DETAIL FB

NOTES:  
1 SWING ARM HOLES NEED TO BE DRILLED OUT TO CLEAR TV BOLTS.

- 195 TV(REAR)-32" COLOR STEREO
- 265 CODES/STANDARDS-CSA/CMVSS
- 1B1 CODES/STANDARDS USA

1B1 265 195

FIRST USED  
**14 P-SERIES**

DO NOT SCALE DRAWING

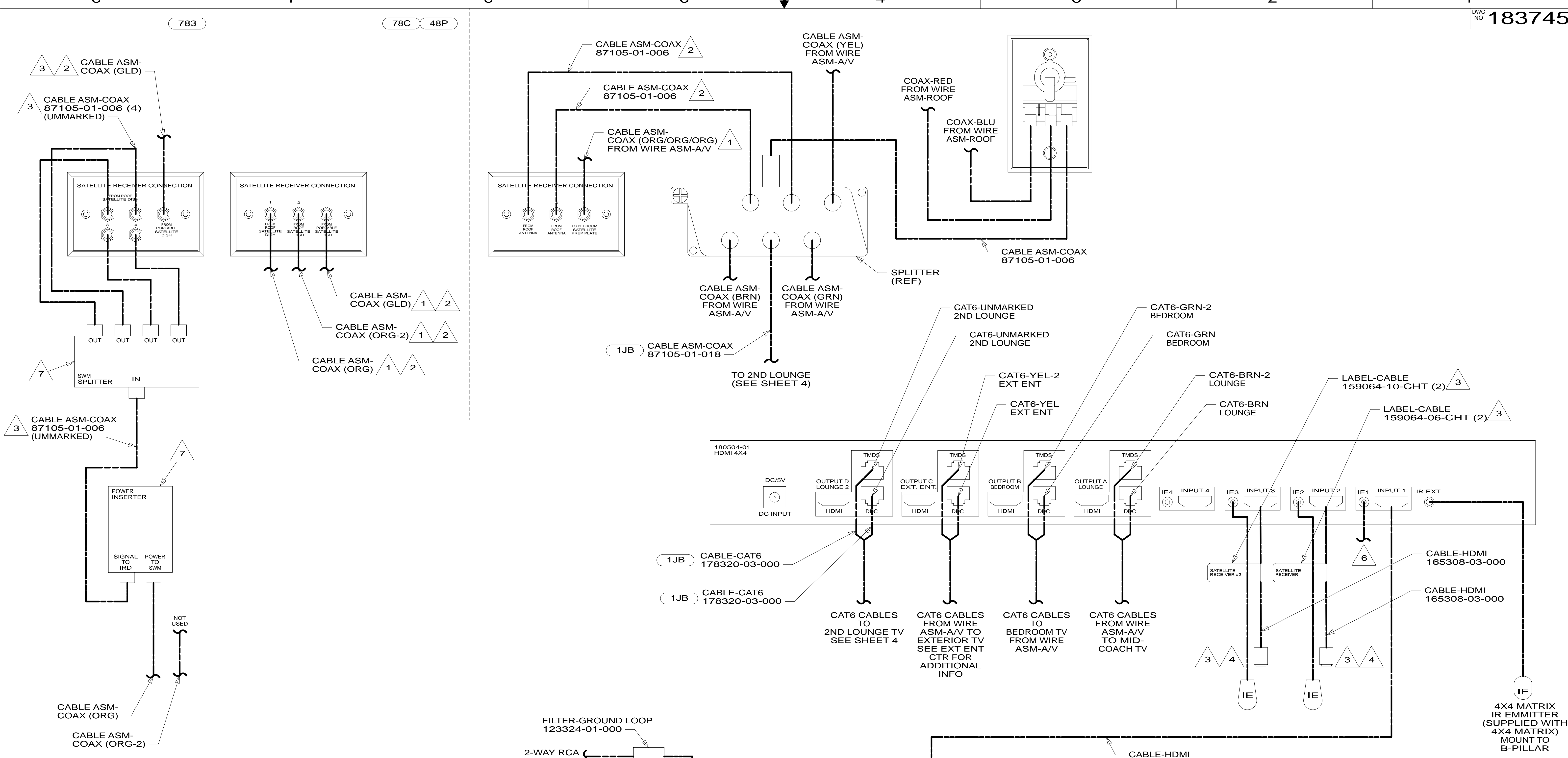
TITLE:  
**WIRING INSTL-TV/DVD**

SHEET 6 PART NO. **183745** REV

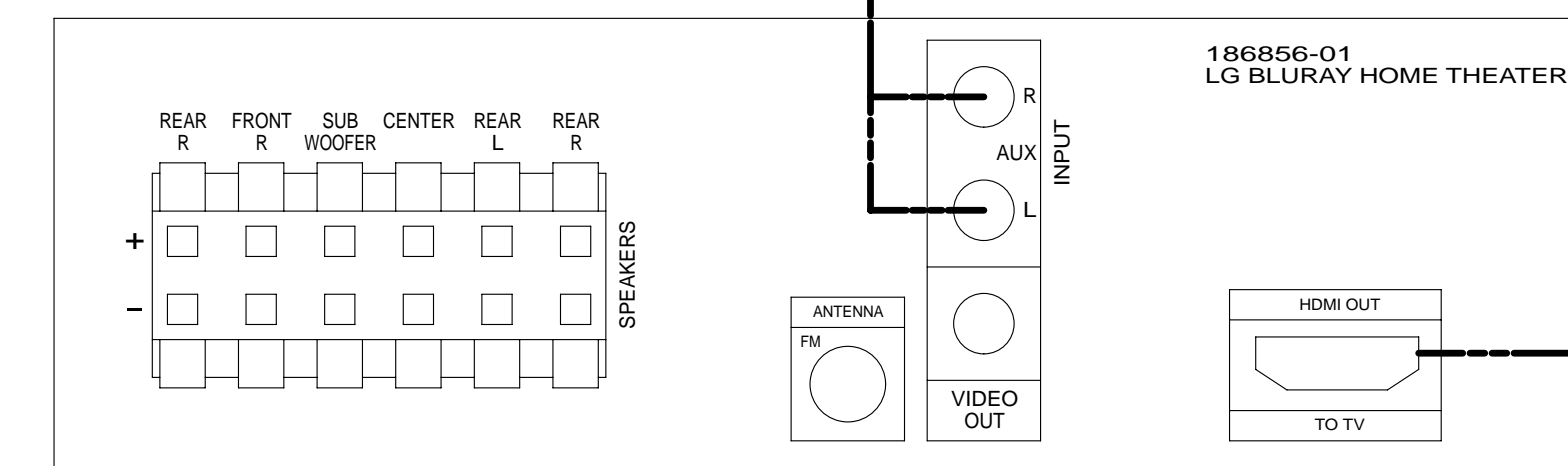
FOR ELECTRICAL TORQUE SPECIFICATIONS SEE DWG NO. 128783-01-000

FOR ELECTRICAL CALLOUTS SEE DWG NO. 121339-01-000

\* 183745 \* A



- NOTES:
- 7 PARTS ARE SUPPLIED WITH INTERIOR CONTROL 183415-05-000.
  - 6 SEE SHEET 1 FOR I.E. PLACEMENT.
  - 5 SET DVD/BLU-RAY PLAYER FOR AUDIO ON HDMI AND MAX VIDEO OUTPUT TO 1080i.
  - 4 COIL CABLE IN SATELLITE PREPARED FOR FUTURE USE.
  - 3 ATTACH LABEL 100 MM FROM EACH END OF CABLE AND 400 MM FROM THE END OF THE IR EMITTER CABLE.
  - 2 CABLE CONNECTS TO REAR SIDE OF PLATE.
  - 1 CABLE ROUTED IN ROOF.



FOR ELECTRICAL TORQUE SPECIFICATIONS SEE DWG NO. 128783-01-000

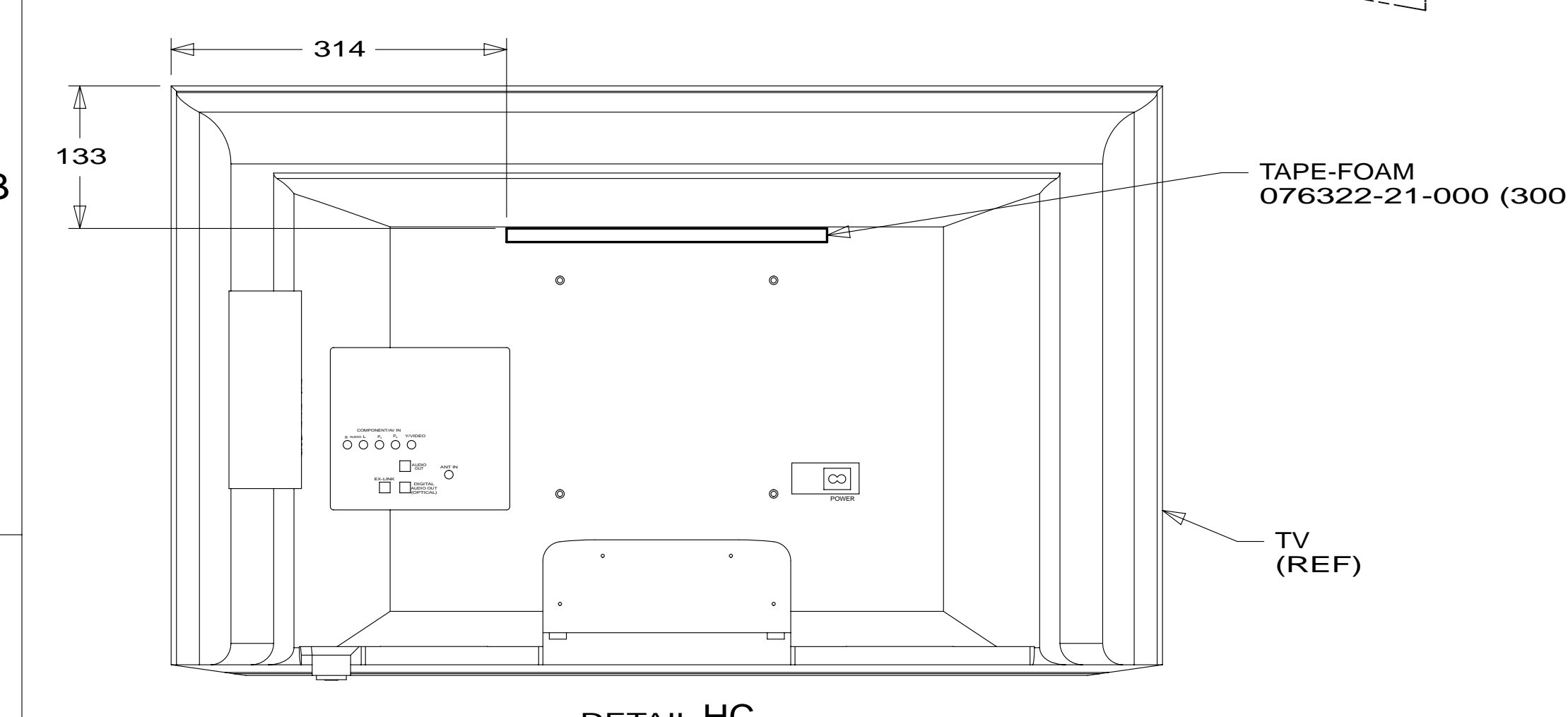
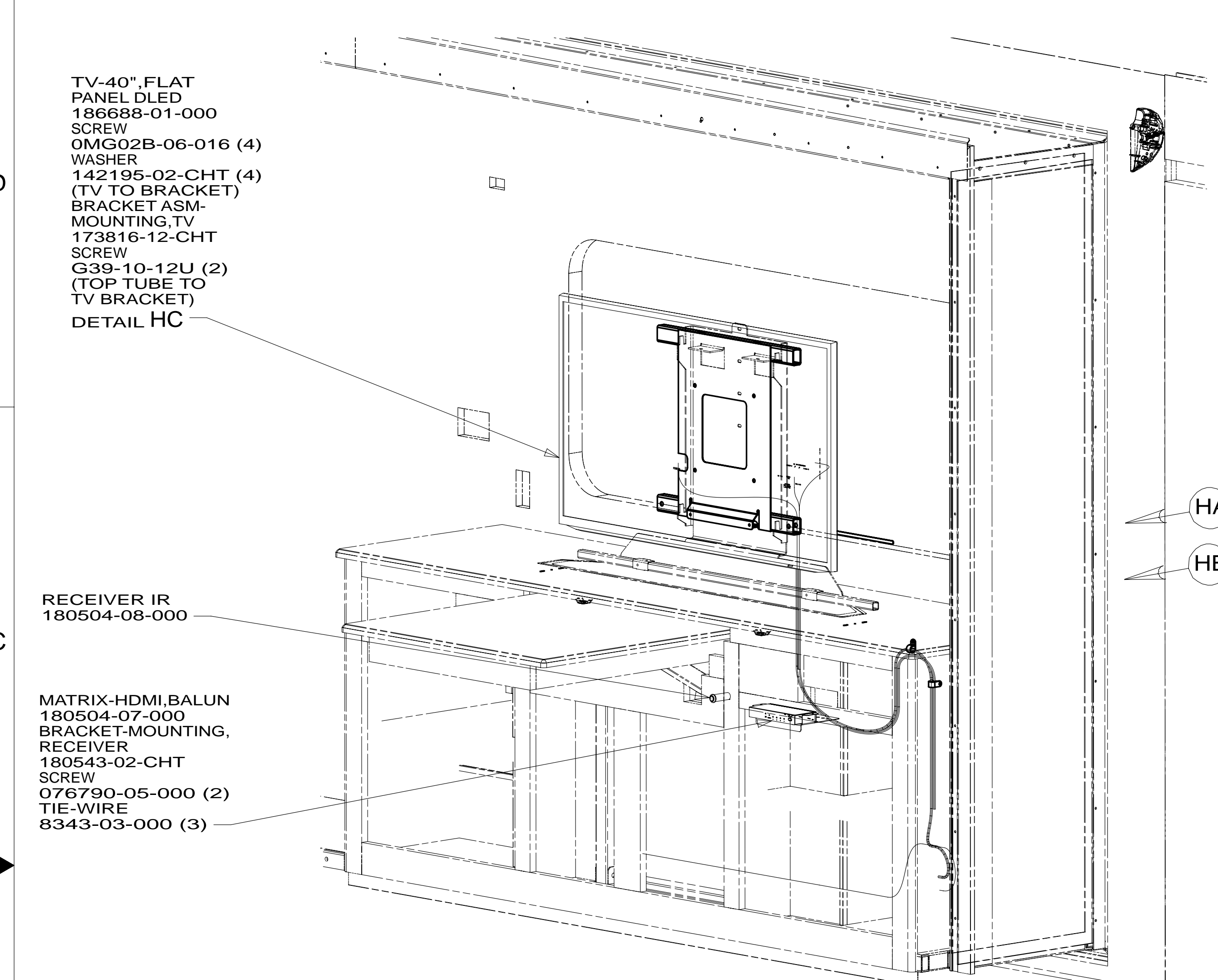
FOR ELECTRICAL CALLOUTS SEE DWG NO. 121339-01-000

783	SATELLITE HD TV SYSTEM AUTOC
78C	SATELLITE SYSTEM READY
48P	SAT TV SYSTEM IN-MOTION
265	CODES/STANDARDS-CSA/CMVSS
1B1	CODES/STANDARDS USA
1B1	265
FIRST USED	
<b>14 P-SERIES</b>	
DO NOT SCALE DRAWING	
TITLE: <b>WIRING INSTL-TV/DVD</b>	
SHEET 7	PART NO <b>183745</b> REV
01-Aug-2014	

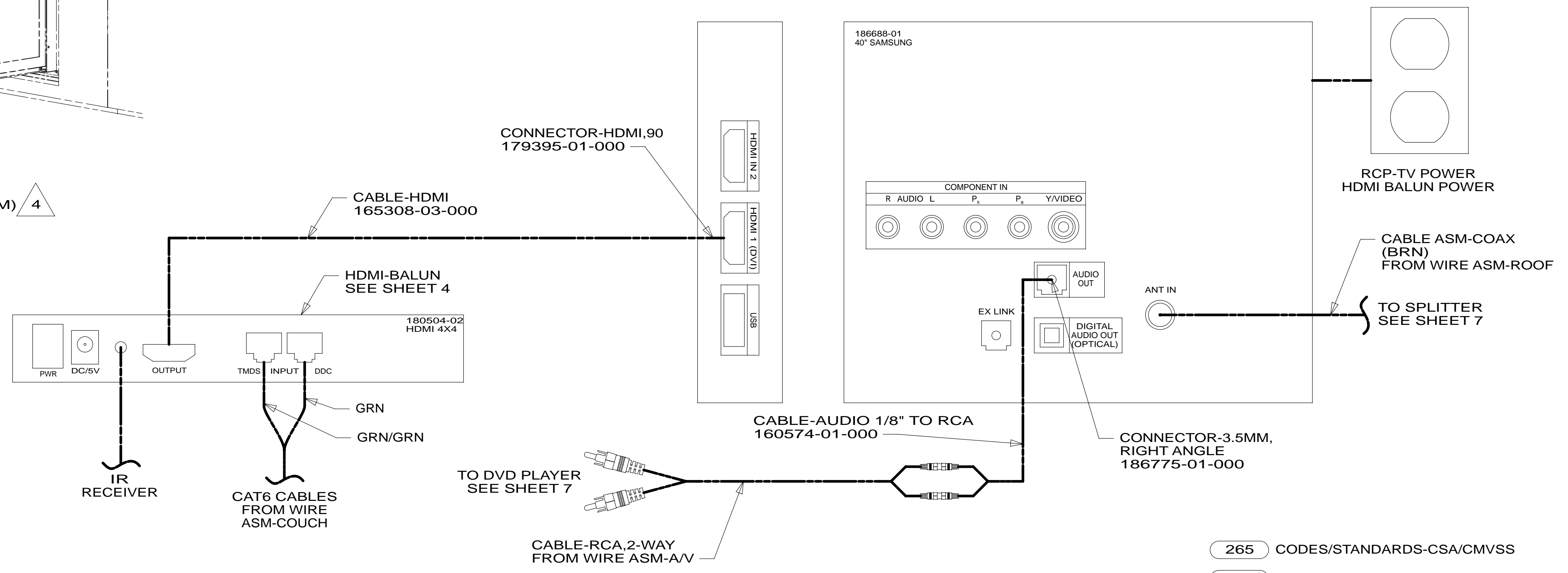
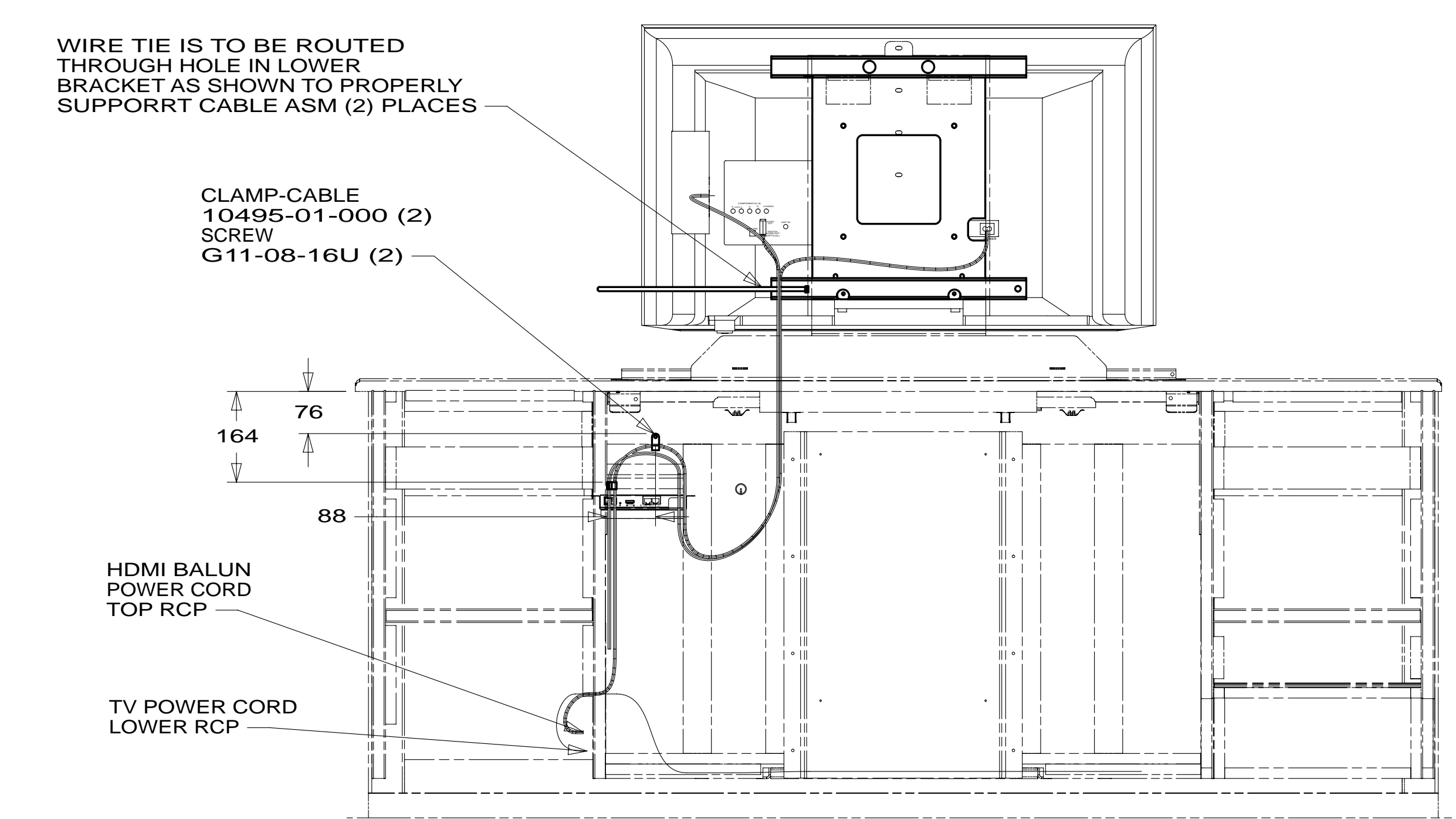
\* 183745 \*



8 7 6 5 4 3 2 1



- NOTES:
- 110V WIRE TO BE CLAMPED WITH CLAMP 10497-05-000 WITHIN 200MM OF OUTLET BOXES, USE SCREW G67-10-12U.
  - ALL WIRES TO BE SECURED WITH CLAMP 10495-01-000 OR CLIP 80734-01-000 EVERY 600MM. USE SCREW G67-10-12U UNLESS OTHERWISE SPECIFIED.
  - WHERE WIRES PASS THROUGH HOLES IN STEEL AND NOT OTHERWISE PROTECTED, USE GROMMET 92908-02-000.
  - CLEAN AND APPLY ADHESIVE PROMOTER 87211-01-000 TO BOTH SURFACES.



FOR ELECTRICAL TORQUE SPECIFICATIONS SEE DWG NO. 128783-01-000

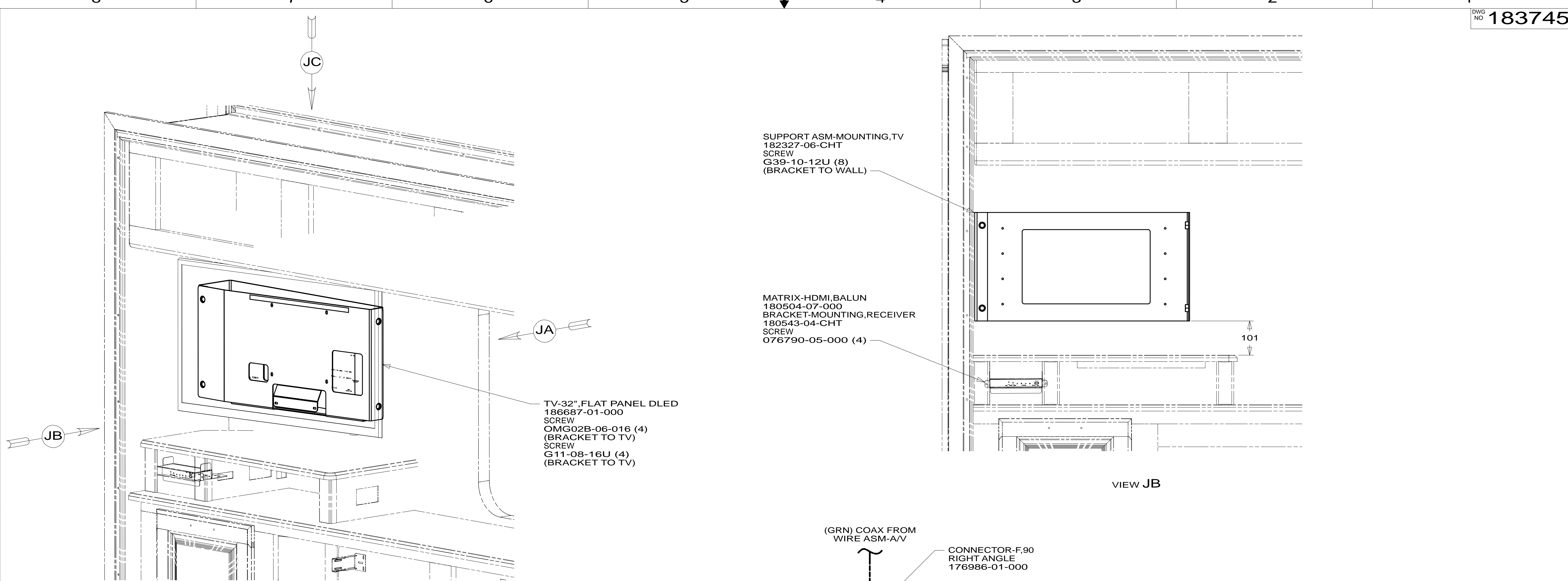
X-X

FOR ELECTRICAL CALLOUTS SEE DWG NO. 121339-01-000

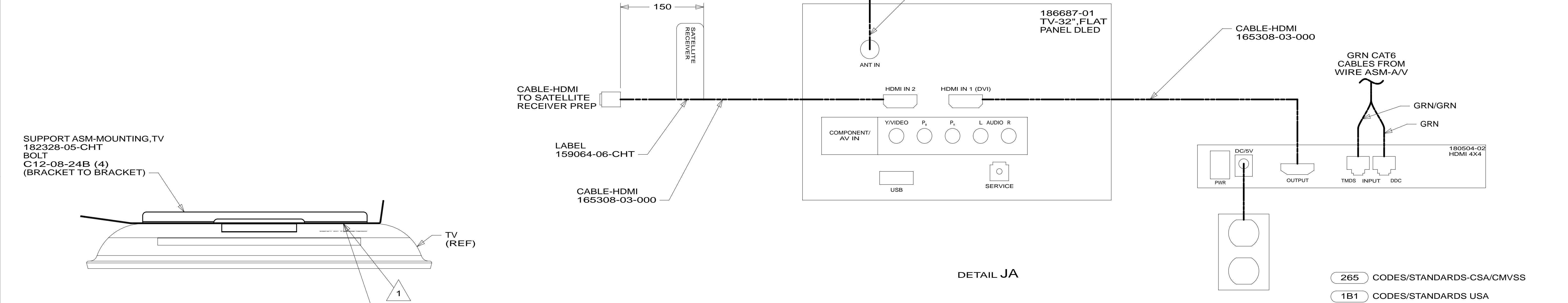
265	CODES/STANDARDS-CSA/CMVSS
1B1	CODES/STANDARDS USA
1B1	265
FIRST USED	
<b>14 P-SERIES</b>	
DO NOT SCALE DRAWING	
TITLE: <b>WIRING INSTL-TV/DVD</b>	
SHEET 8	PART NO <b>183745</b> REV
01-Aug-2014	

8 7 6 5 4 3 2 1

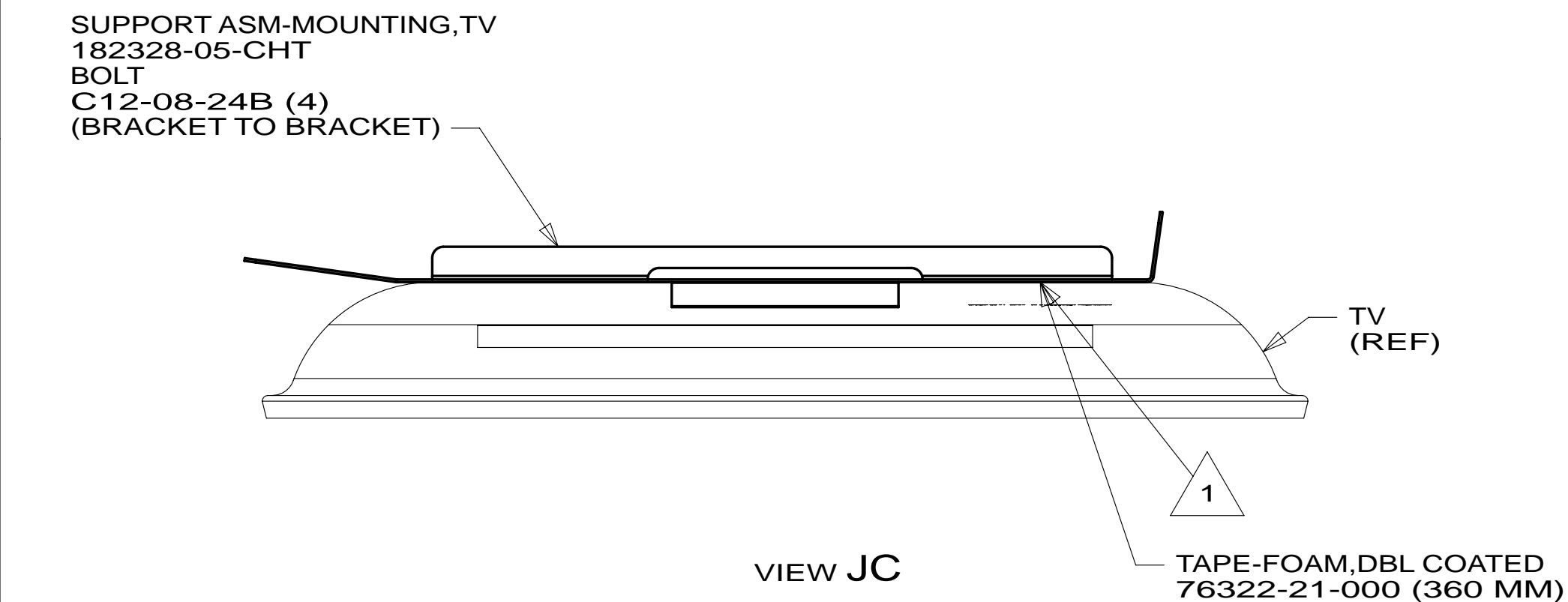
\* 183745 \*



VIEW JB



DETAIL JA



VIEW JC

1 CLEAN AND APPLY ADHESIVE PROMOTER 87211-01-000 TO BOTH SURFACES AND BOND WHERE TOP FLANGE OF BRACKET CONTACTS PLASTIC TV BEZEL.

NOTES:

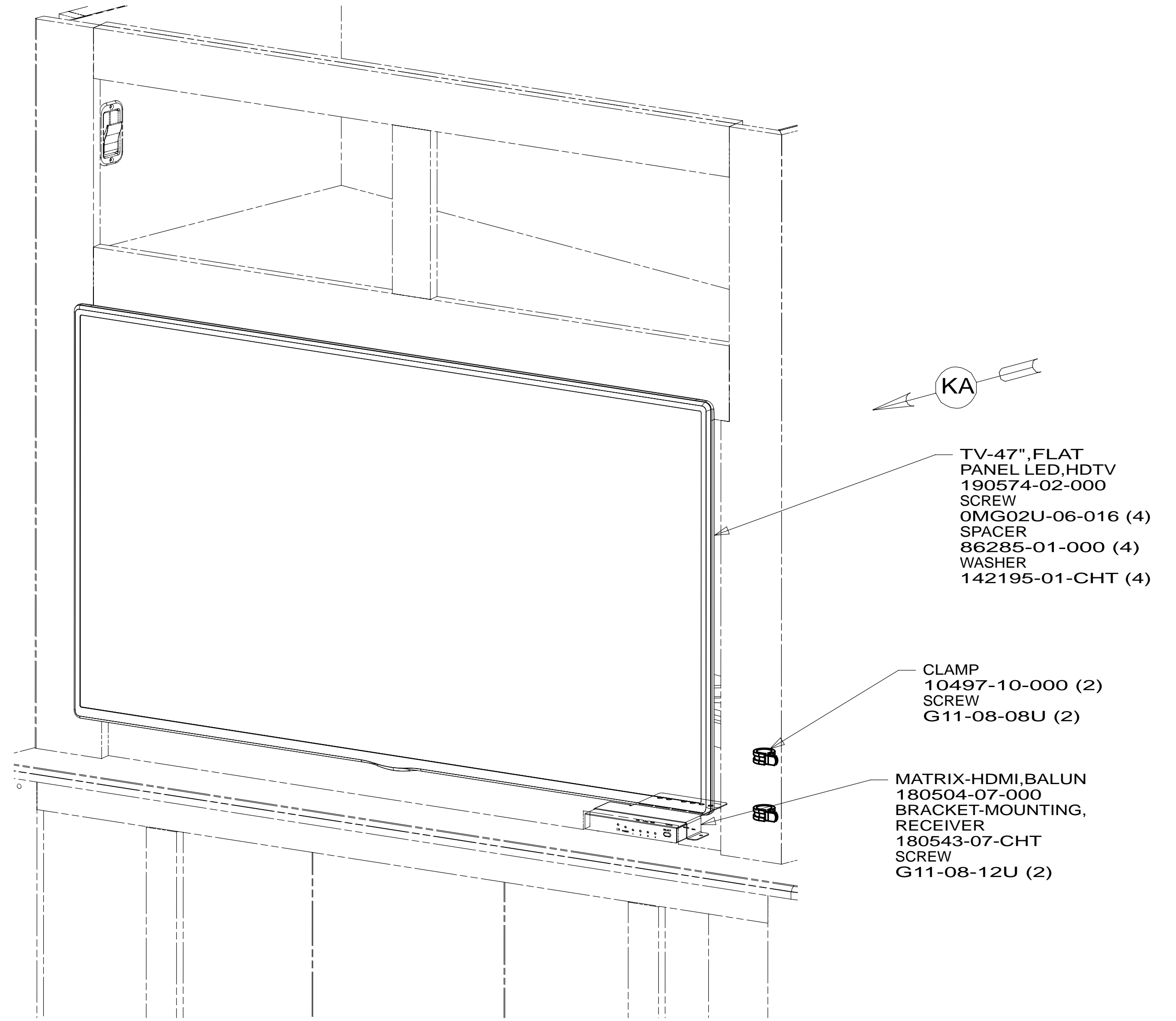
FOR ELECTRICAL TORQUE SPECIFICATIONS SEE DWG NO. 128783-01-000

X-X FOR ELECTRICAL CALLOUTS SEE DWG NO. 121339-01-000

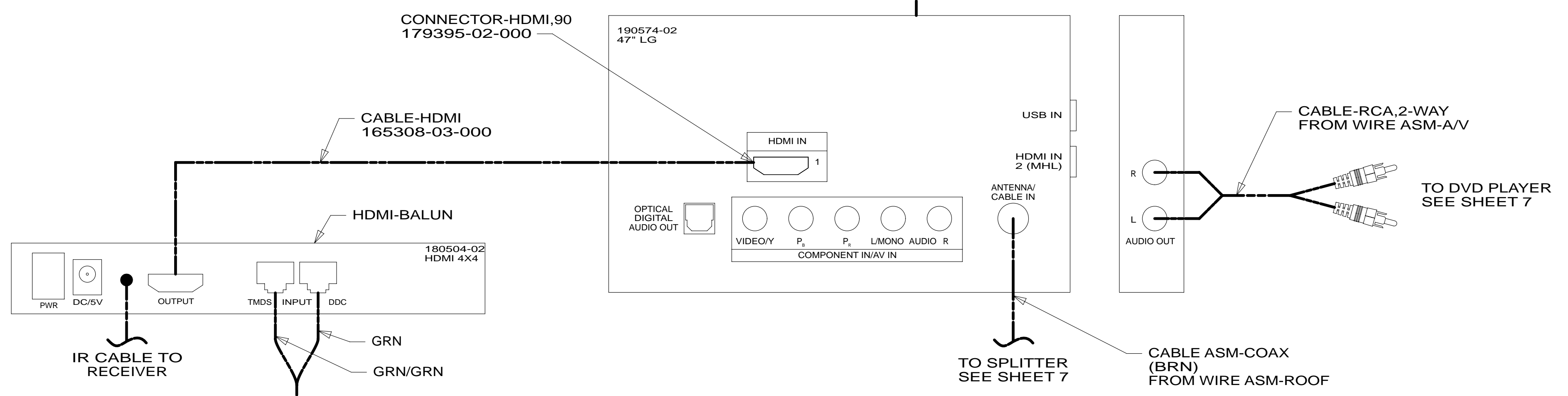
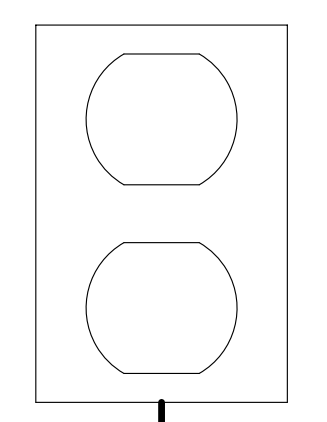
265 CODES/STANDARDS-CSA/CMVSS  
1B1 CODES/STANDARDS USA

1B1	265
FIRST USED	
<b>14 P-SERIES</b>	
DO NOT SCALE DRAWING	
TITLE: <b>WIRING INSTL-TV/DVD</b>	
SHEET 9	PART NO <b>183745</b> REV

\*183745 \*A



RCP-TV POWER  
HDMI BALUN POWER



DETAIL KA

1 CLEAN AND APPLY ADHESIVE PROMOTER 87211-01-000 TO BOTH SURFACES AND BOND WHERE TOP FLANGE OF BRACKET CONTACTS PLASTIC TV BEZEL.

NOTES:

265 CODES/STANDARDS-CSA/CMVSS

1B1 CODES/STANDARDS USA

1B1 265

FIRST USED  
**14 P-SERIES**

DO NOT SCALE DRAWING

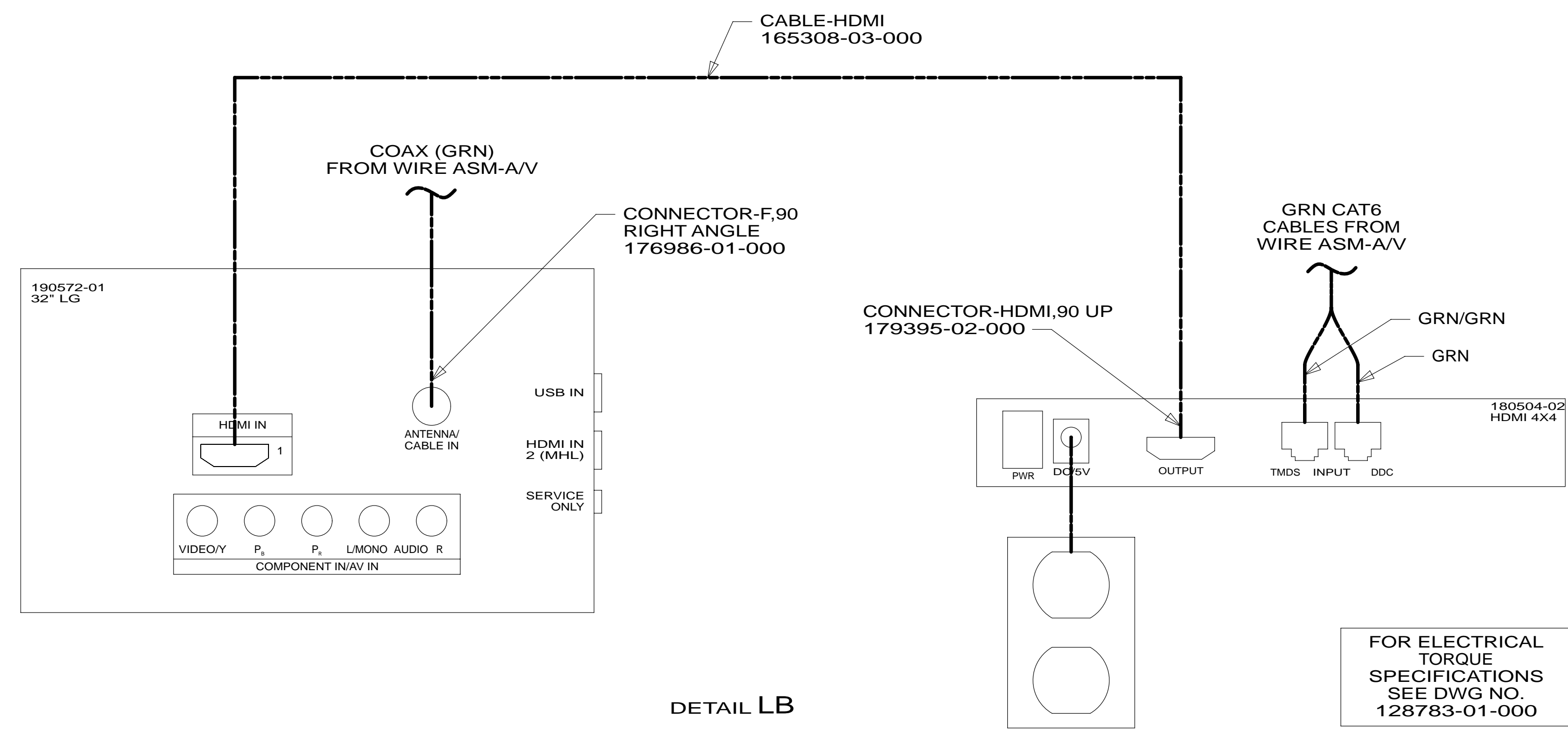
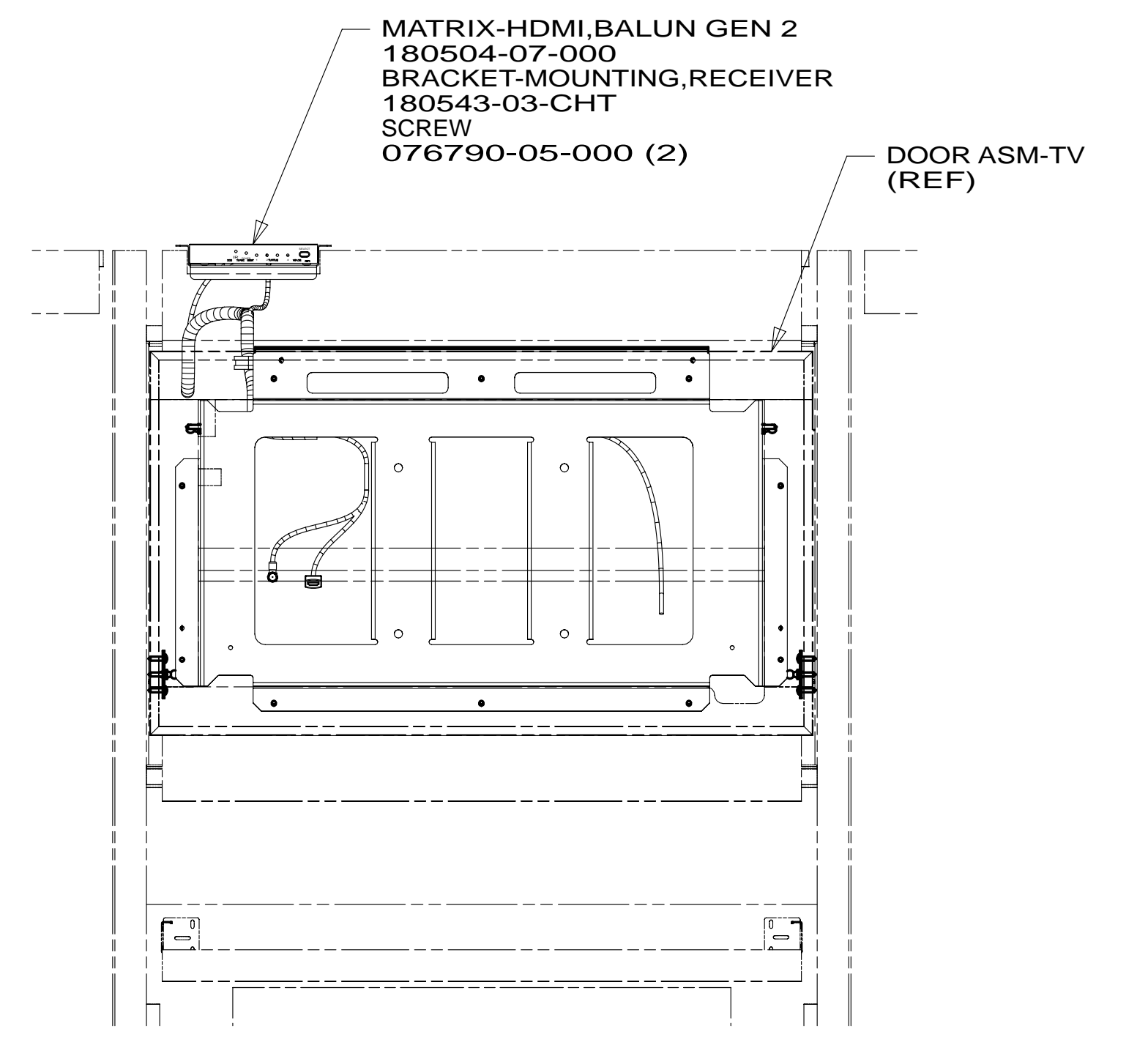
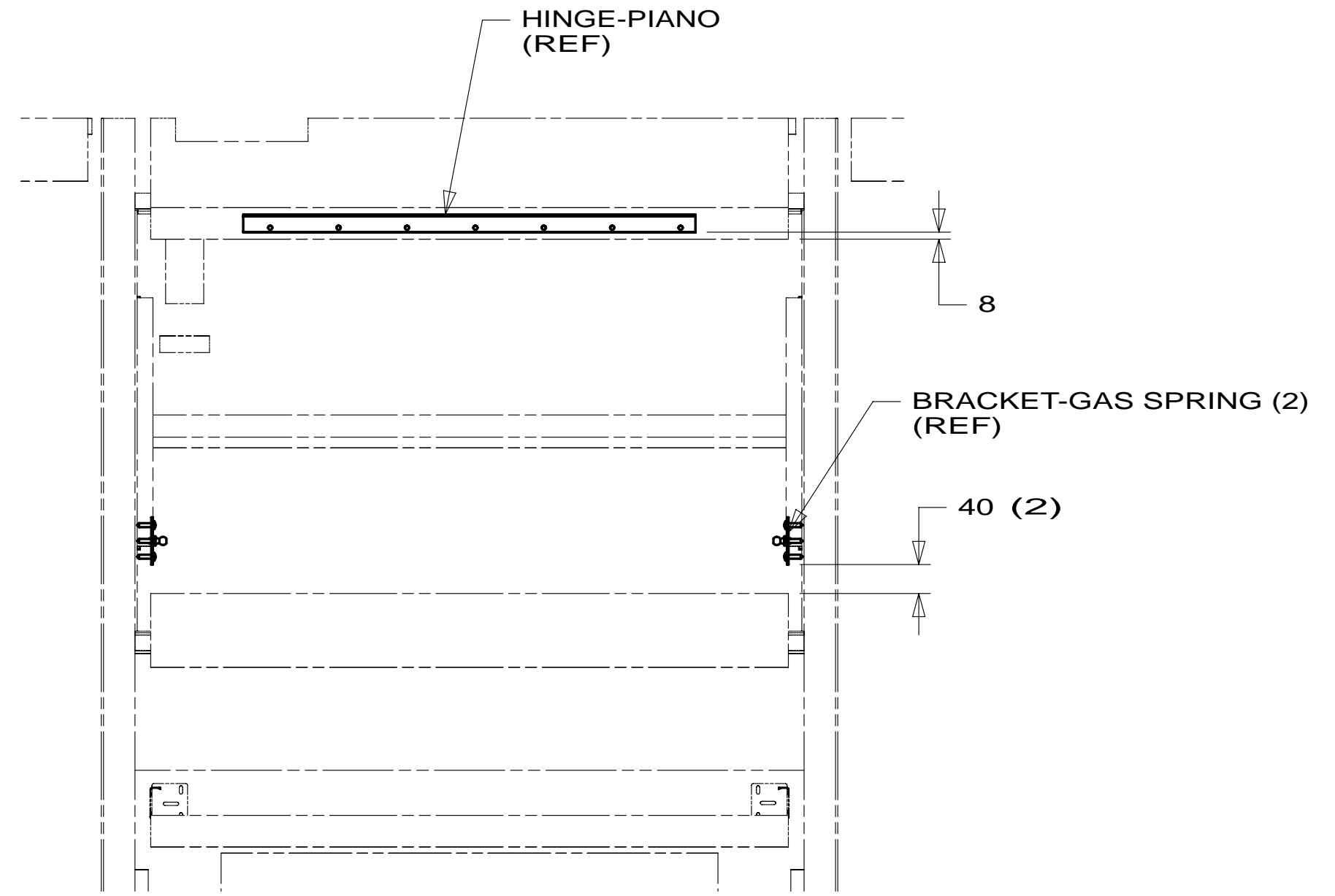
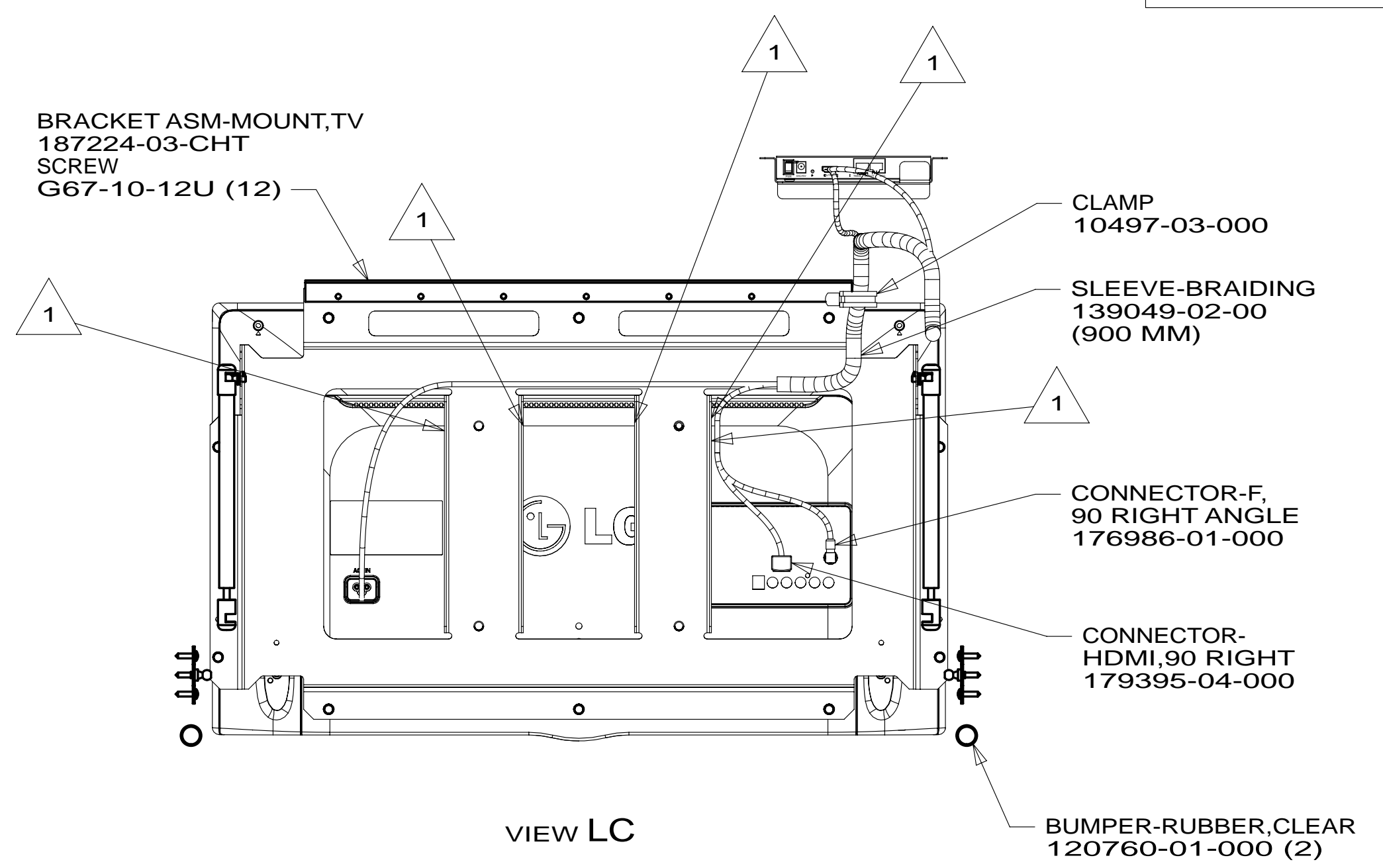
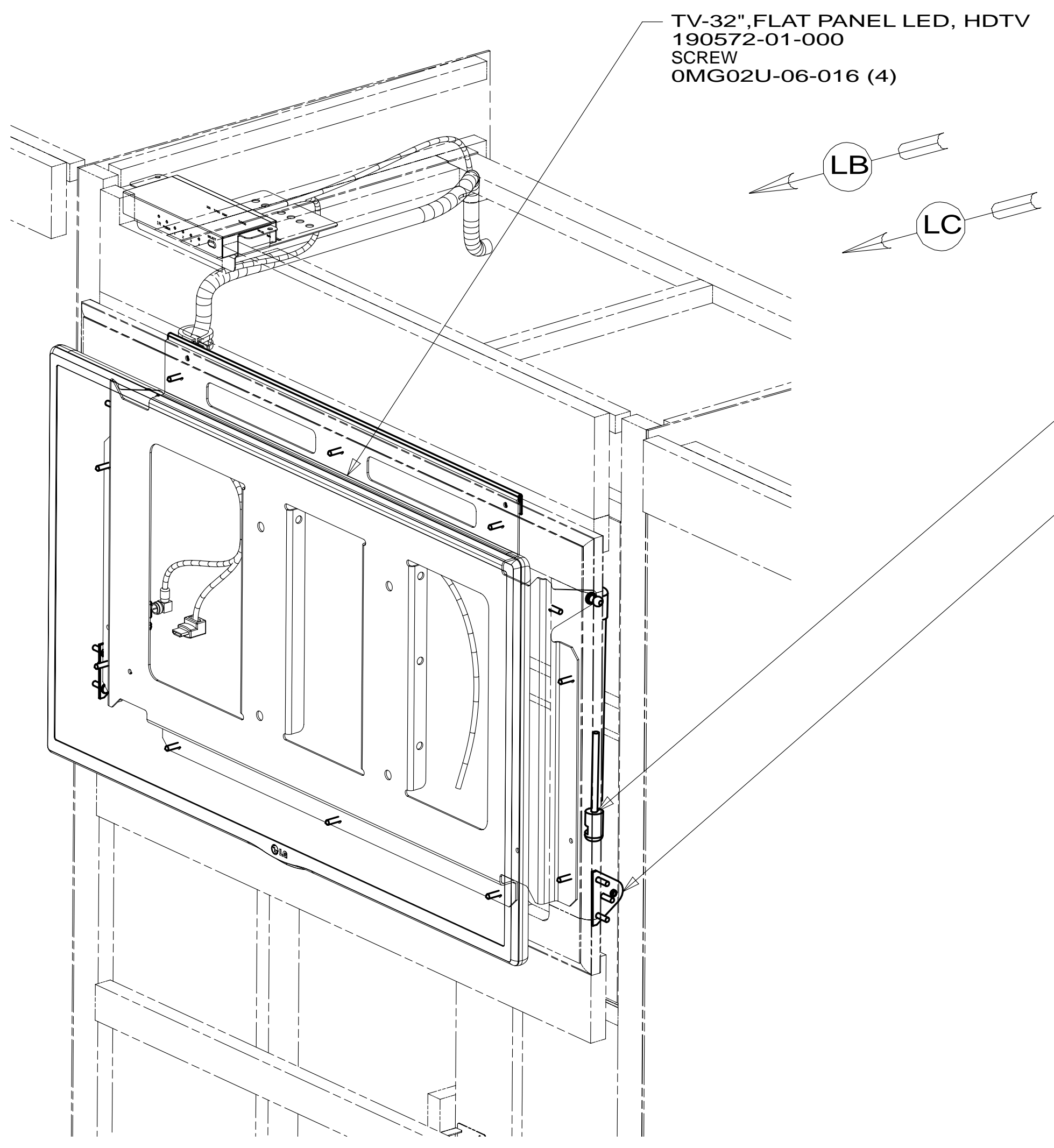
TITLE: **WIRING INSTL-TV/DVD**

SHEET 10 PART NO **183745** REV

FOR ELECTRICAL TORQUE SPECIFICATIONS SEE DWG NO. 128783-01-000

FOR ELECTRICAL CALLOUTS SEE DWG NO. 121339-01-000

\*183745\*



1 USE TIE-WIRE 8343-04-000 TO ATTACH WIRE ASM TO HOLES IN BRACKET ASM-MOUNT,TV.

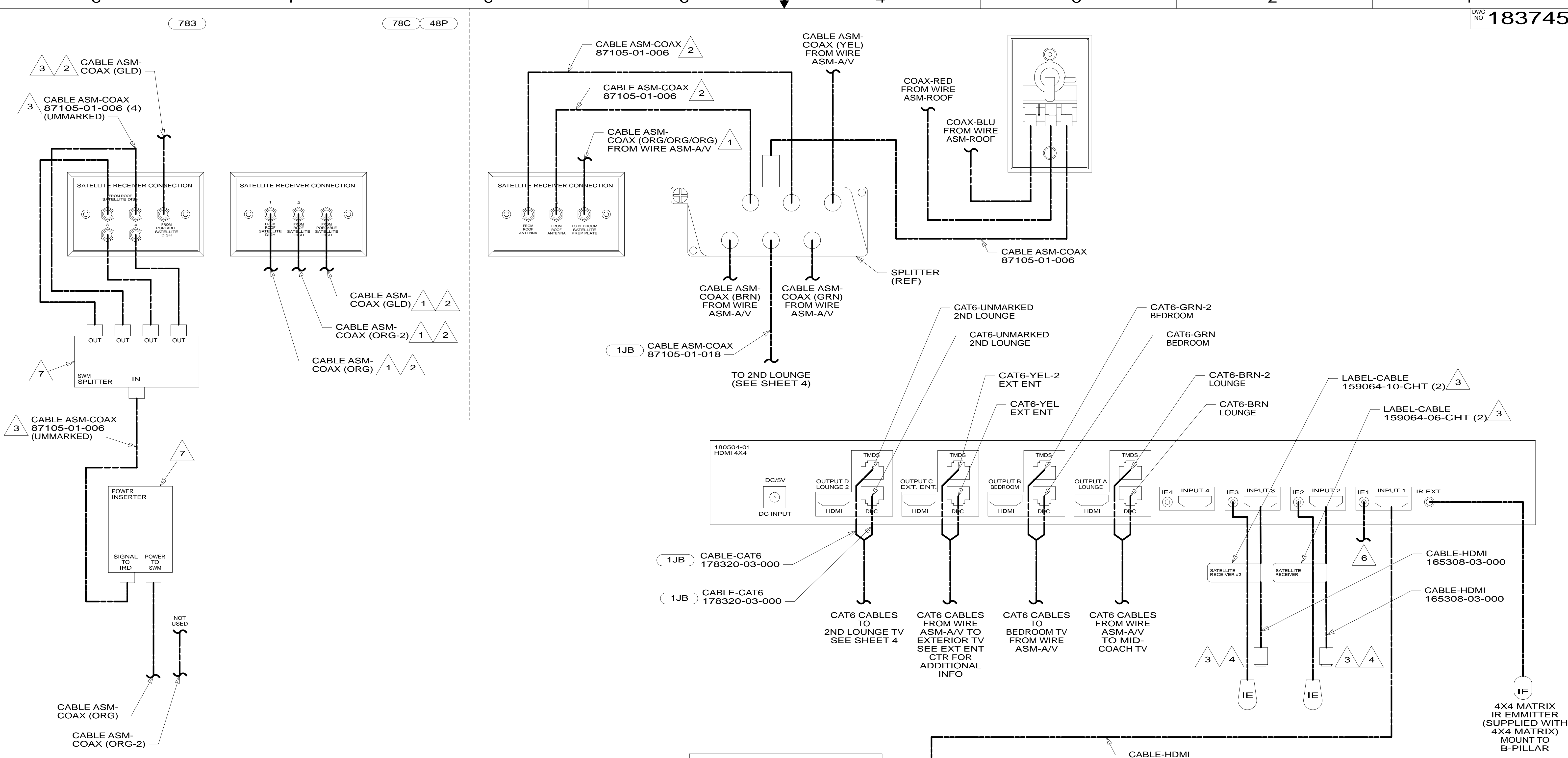
FOR ELECTRICAL TORQUE SPECIFICATIONS SEE DWG NO. 128783-01-000

FOR ELECTRICAL CALLOUTS SEE DWG NO. 121339-01-000

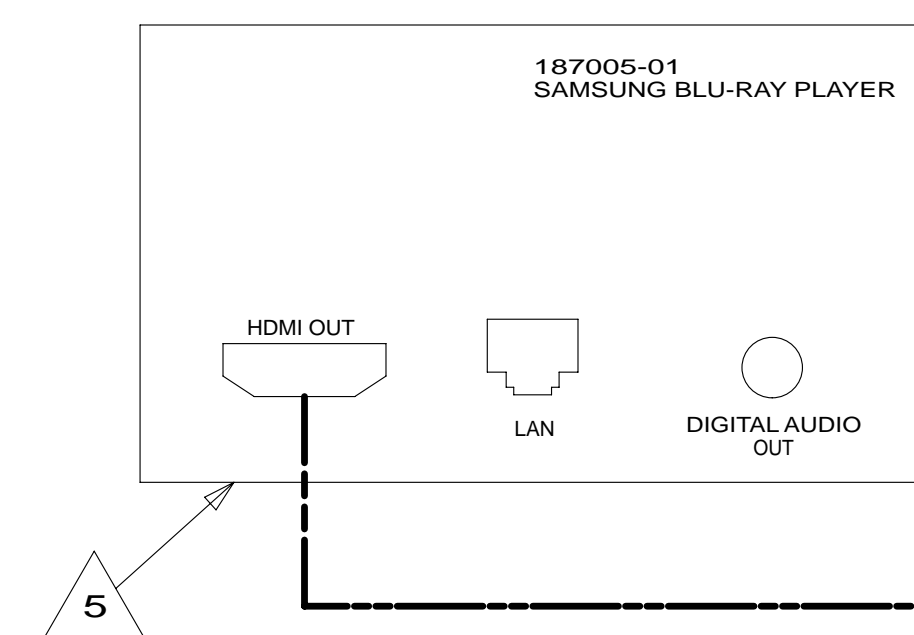
- 265 CODES/STANDARDS-CSA/CMVSS
- 1B1 CODES/STANDARDS USA
- 1B1 265

FIRST USED	
<b>14 P-SERIES</b>	
DO NOT SCALE DRAWING	
TITLE: <b>WIRING INSTL-TV/DVD</b>	
SHEET 11	PART NO <b>183745</b> REV

\* 183745 \* A



- NOTES:
- 7 PARTS ARE SUPPLIED WITH INTERIOR CONTROL 183415-05-000.
  - 6 SEE SHEET 1 FOR I.E. PLACEMENT.
  - 5 SET DVD/BLU-RAY PLAYER FOR MAX VIDEO OUTPUT TO 1080i.
  - 4 COIL CABLE IN SATELLITE PREPARED FOR FUTURE USE.
  - 3 ATTACH LABEL 100 MM FROM EACH END OF CABLE AND 400 MM FROM THE END OF THE IR EMITTER CABLE.
  - 2 CABLE CONNECTS TO REAR SIDE OF PLATE.
  - 1 CABLE ROUTED IN ROOF.



FOR ELECTRICAL TORQUE SPECIFICATIONS SEE DWG NO. 128783-01-000

FOR ELECTRICAL CALLOUTS SEE DWG NO. 121339-01-000

783 SATELLITE HD TV SYSTEM AUTOC  
 78C SATELLITE SYSTEM READY  
 48P SAT TV SYSTEM IN-MOTION  
 265 CODES/STANDARDS-CSA/CMVSS  
 1B1 CODES/STANDARDS USA

1B1 265

FIRST USED

**14 P-SERIES**

DO NOT SCALE DRAWING

TITLE: **WIRING INSTL-TV/DVD**

SHEET 12 PART NO **183745** REV

01-Aug-2014

\* 183745 \*