



DANGER

Danger of electrical shock, burns or death. Always remove all power sources before attempting any repair, service or diagnostic work. Power can be present from shore power, generator, inverter or battery. All power sources must be disabled and secured before performing any service.



CAUTION

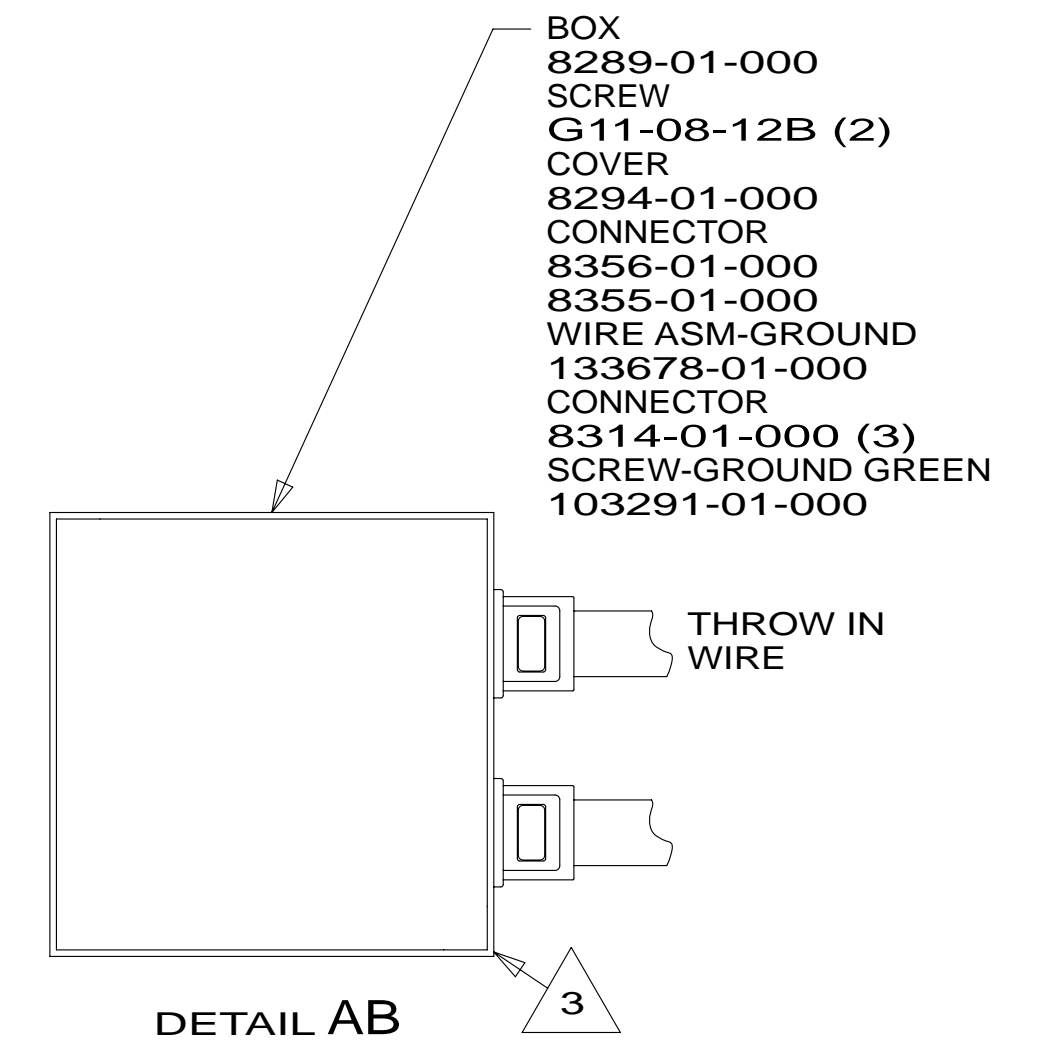
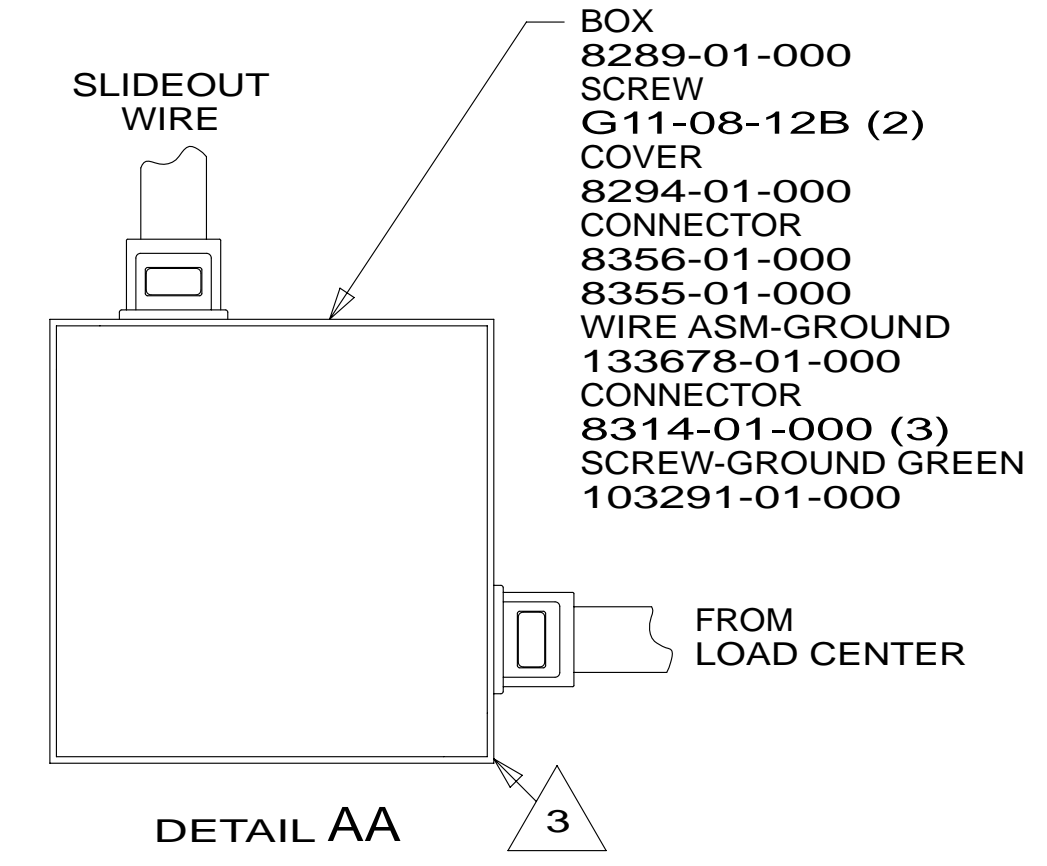
If you lack the skills, tools or equipment to perform diagnostic or repair work leave such work to an authorized Winnebago Industries dealer or other qualified shop.

DRAWING NO.	MODEL
183555-01	R42GD
183555-02	R42QD

RELEASE	REV/DATE	DWG NO	183555
REV ZONE	REVISION RECORD	DATE	DTR-ORIG

		R42QD	R42GD
RED	1B1	136135-07-071	136135-07-067
	265	136136-07-071	136136-07-067
CABLE ASM-MAIN, 6AWG		174031-01-062	174031-01-072
GRN	1B1	136135-08-071	136135-08-067
	265	136136-08-071	136136-08-067
LT BLU	1B1	136135-21-071	136135-21-067
	265	136136-21-071	136136-21-067
INVERTER CHARGER MAIN	1B1	136137-01-087	136137-01-100
	265	136138-01-087	136138-01-100
YEL	1B1	136131-05-131	136131-05-138
	265	136134-05-131 ¹	136134-05-138 ¹
GLD	1B1	136131-10-075 ¹	136131-10-023 ¹
	265	136134-10-075	136134-10-023 ¹
GLD-2	1B1	136131-20-060	136131-20-023 ¹
	265	136134-20-060	136134-20-023 ¹
WHT	1B1	136135-09-067	136135-09-082 ¹
	265	136136-09-067	136136-09-082
RANGE	1B1	136135-01-056	136135-01-097
	265	136136-01-056 ⁴	136136-01-097 ²
AWNING	1B1	136131-01-072 ⁴	136131-01-067 ²
	265	136134-01-072	136134-01-067

		R42QD	R42GD
INVERTER CHARGER SUB MAIN	1B1	136137-01-087	136137-01-114
	265	136138-01-087	136138-01-114
BLU	1B1	136131-02-224 ¹	136131-02-220 ¹
	265	136134-02-224 ¹	136134-02-220 ¹
BRN	1B1	136131-03-098 ¹	136131-03-110 ¹
	265	136134-03-098 ¹	136134-03-110 ¹
PUR	1B1	136131-04-095 ¹	136131-04-206 ¹
	265	136134-04-095 ¹	136134-04-206 ¹
ORG	1B1	136131-16-160	136131-16-186
	265	136134-16-160	136134-16-186
BLK	1B1	136131-06-056 ¹	136131-06-097 ¹
	265	136134-06-056 ¹	136134-06-097 ¹
SIL	1B1	136131-11-056 ¹	136131-11-097 ¹
	265	136134-11-056 ¹	136134-11-097 ¹
GRY	1B1	136131-15-092 ¹	136131-15-072
	265	136134-15-092 ¹	136134-15-072
GROUND MAIN		136145-01-065	136145-01-071
GROUND ATS		136145-01-020	136145-01-025
GROUND INVERTER		136145-04-006	136145-04-006
CABLE ASM GEN		174031-03-095	174031-03-095
TAILGATE	1B1	136135-01-045	136135-01-075
	265	136136-01-045	136136-01-075



- 9PC TAILGATE PACKAGE
- 63H AWNING (2) PATIO, ARMLESS
- 12A ALL ELECTRIC COACH
- 14C FIREPLACE-ELECTRIC
- 214 DISHWASHER DRAWER STYLE
- 265 CODES/STANDARDS-CSA/CMVSS
- 1B1 CODES/STANDARDS USA

NOTES:

⁴ SEE DETAIL AB

³ CONNECT WIRES, WHT TO WHT, BLK TO BLK, GROUNDS TO GROUNDS, KEEPING CIRCUITS SEPERATED.

² SEE DETAIL AA FOR CONNECTOR INSTALLATION.

¹ SEE DETAIL BA FOR CONNECTOR INSTALLATION.

FOR ELECTRICAL TORQUE SPECIFICATIONS SEE DWG NO. 128783-01-000

FOR ELECTRICAL CALLOUTS SEE DWG NO. 121339-01-000

WINNEBAGO COPYRIGHT 2014 WINNEBAGO INDUSTRIES, INC.

UNSPECIFIED TOLERANCES ARE:

WHOLE DIM (X)	: 3
ONE-PLACE (X.X)	: 1.5
TWO-PLACE (X.XX)	: 0.50
ANGLE	: 1'

THIRD ANGLE PROJECTION

DO NOT SCALE DRAWING REFER TO ES0018 FOR FASTENER TIGHTENING GUIDELINES

TITLE: **LOAD CENTER/ATS ASM**

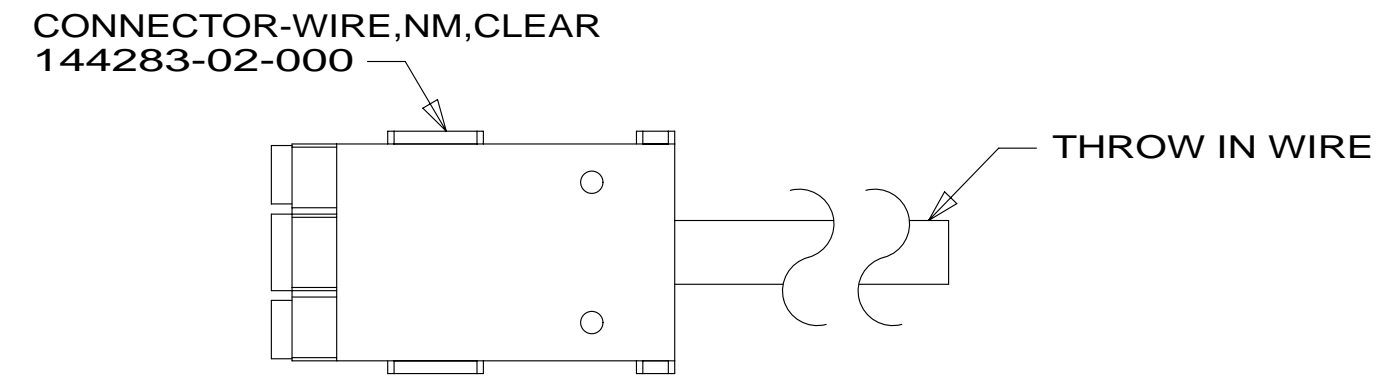
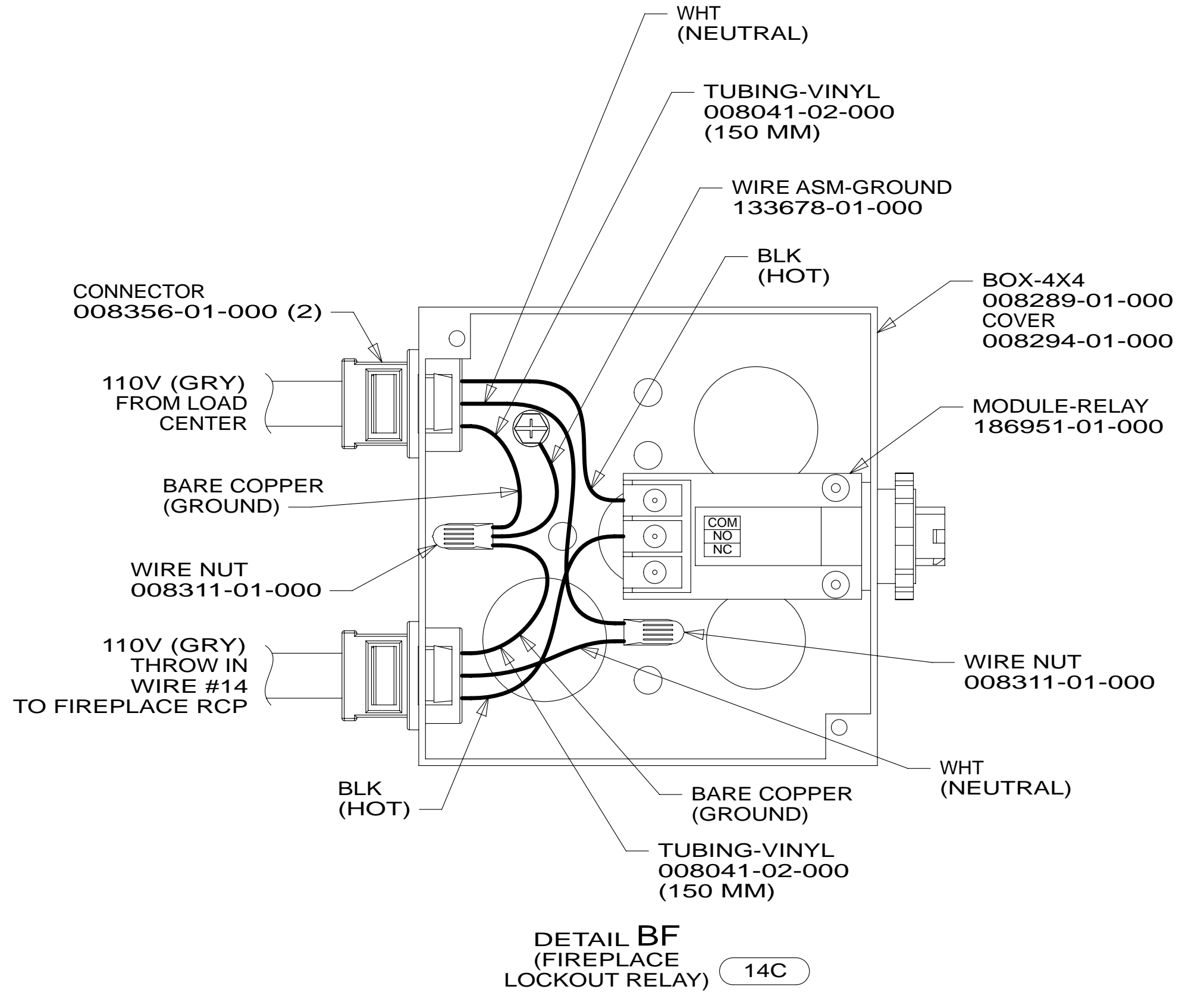
SHEET **1 OF 3** PART NO **183555** REV

REF: **1** 09-May-2014

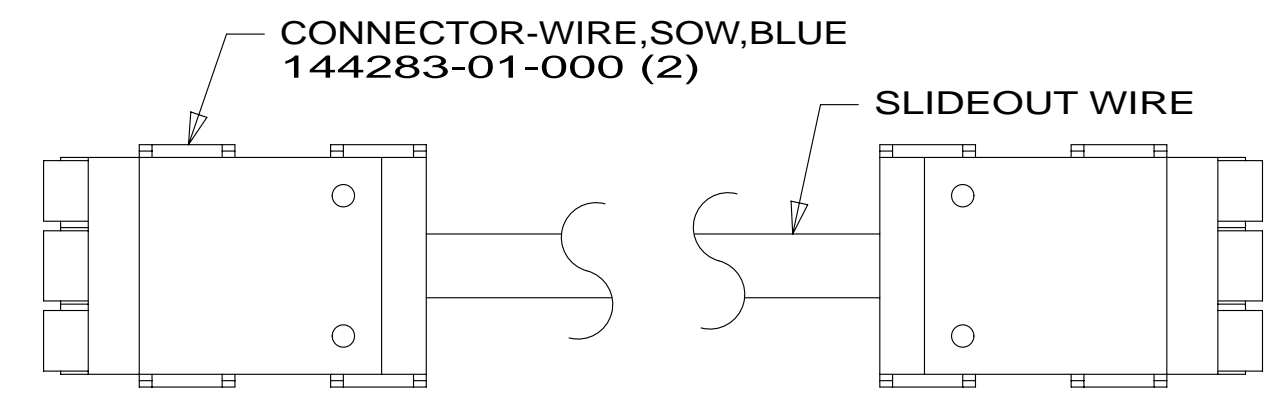
* 183555 *

	R42QD	R42GD
SLIDEOUT WIRE #1	136151-03-025	136151-02-030
SLIDEOUT WIRE #2	136151-04-025	136151-11-030 214
SLIDEOUT WIRE #3	136151-05-025	136151-06-030
SLIDEOUT WIRE #4	136151-15-025 14C	136152-01-035 12A
SLIDEOUT WIRE #5	136152-01-042 12A	136151-04-042
SLIDEOUT WIRE #6	136151-04-022	136151-03-042
SLIDEOUT WIRE #7	136151-02-070	136151-10-014
SLIDEOUT WIRE #8	135151-06-070	136151-20-014
SLIDEOUT WIRE #9	136151-11-070 214	136151-04-028
SLIDEOUT WIRE #10		136151-02-050
SLIDEOUT WIRE #11		136151-03-050
SLIDEOUT WIRE #12		136151-05-050
SLIDEOUT WIRE #13		
THROW IN WIRE #1	1B1 136131-03-052	136131-04-062
	265 136134-03-052	136134-04-062
THROW IN WIRE #2	1B1 136131-03-023	136131-20-035
	265 136134-03-023	136134-20-035
THROW IN WIRE #3	1B1 136135-01-017 12A	136131-04-025
	265 136136-01-017 12A	136134-04-025

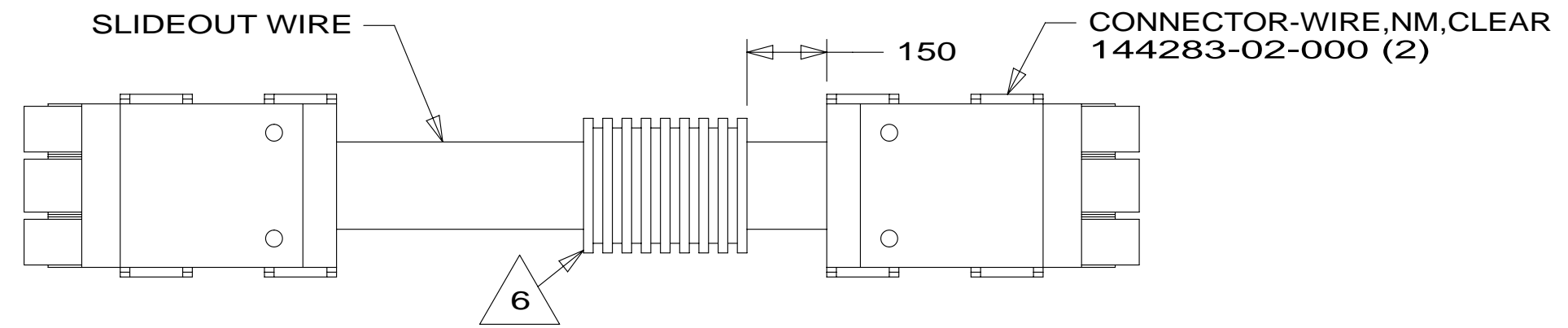
	R42QD	R42GD
THROW IN WIRE #4	1B1 136131-04-030	136131-02-032
	265 136134-04-030	136134-02-032
THROW IN WIRE #5	1B1 136131-04-055	136131-02-008
	265 136134-04-055	136134-02-008
THROW IN WIRE #6	1B1 136131-04-060	136135-01-003 12A
	265 136134-04-060	136136-01-003 12A
THROW IN WIRE #7	1B1 136131-02-006	136131-02-050
	265 136134-02-006	136134-02-050
THROW IN WIRE #8	1B1 136131-02-008	136131-11-008 214
	265 136134-02-008	136134-11-008 214
THROW IN WIRE #9	1B1 136131-11-025 214	136131-03-122
	265 136134-11-025 214	136134-03-122
THROW IN WIRE #10	1B1 136131-15-008	136131-03-013
	265 136134-15-008	136134-03-013
THROW IN WIRE #11	1B1	136131-10-035
	265	136134-10-035
THROW IN WIRE #12	1B1	136131-05-010
	265	136134-05-010
THROW IN WIRE #13	1B1	136131-02-074
	265	136134-02-074
THROW IN WIRE #14	1B1	136131-15-006
	265	136134-15-006



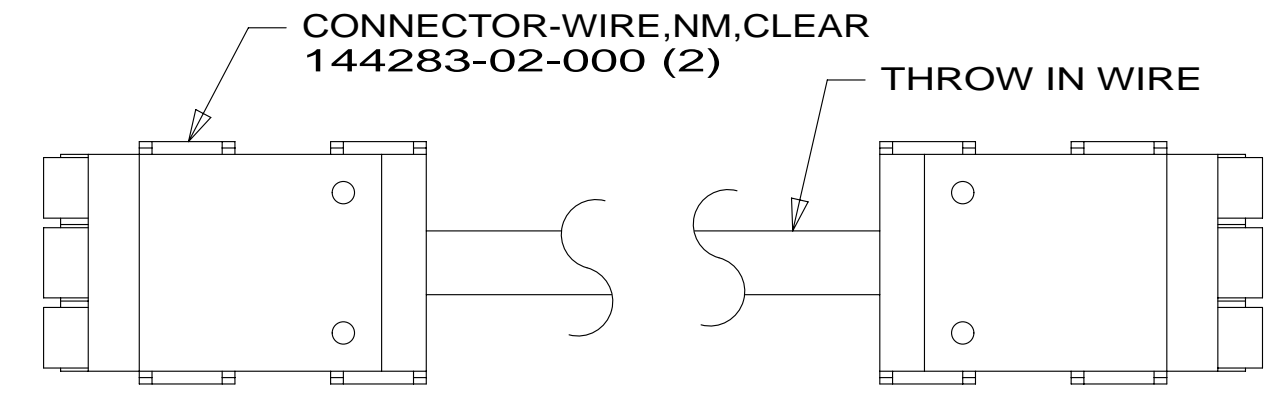
DETAIL BA



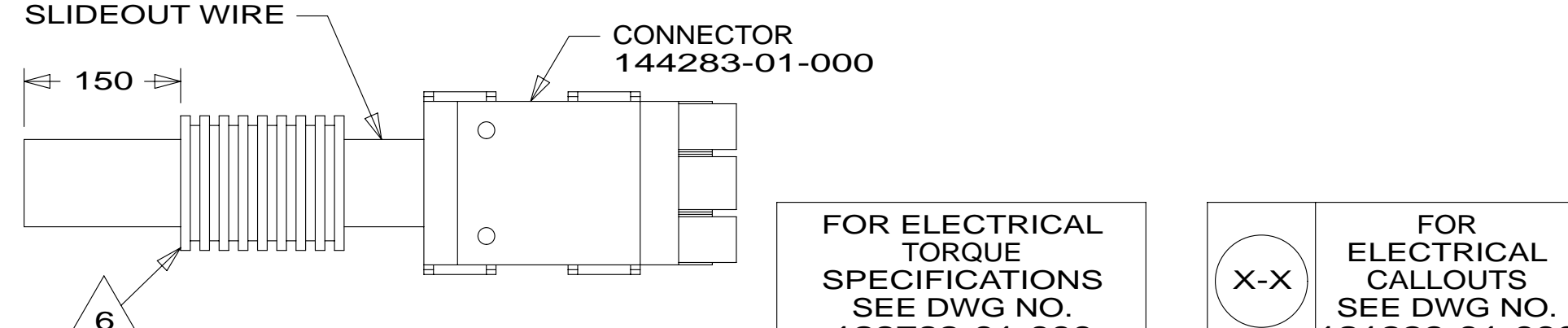
DETAIL BB



DETAIL BD



DETAIL BE



DETAIL BC

- NOTES:
- SEE DETAIL BF FOR CONNECTOR INSTALLATION.
 - SEE DETAIL AB FOR CONNECTOR INSTALLATION.
 - SEE DETAIL BC FOR CONNECTOR INSTALLATION.
 - APPLY 300MM OF CONDUIT-CONVOLUTE 41953-05-000 OVER WIRE AT DIMENSION SHOWN AND SECURE BOTH ENDS OF TUBING TO WIRE WITH TAPE 8363-01-000.
 - SEE DETAIL BE FOR CONNECTOR INSTALLATION.
 - SEE DETAIL BD FOR CONNECTOR INSTALLATION.
 - SEE WIRING INSTL-BODY, 110V FOR ADDITIONAL INFORMATION.
 - SEE DETAIL BB FOR CONNECTOR INSTALLATION.
 - SEE DETAIL BA FOR CONNECTOR INSTALLATION.

- TAILGATE PACKAGE
- ALL ELECTRIC COACH
- LOUNGE CHAIRS (2)-WITH TABLE
- FIREPLACE-ELECTRIC
- DISHWASHER DRAWER STYLE
- CODES/STANDARDS-CSA/CMVSS
- CODES/STANDARDS-USA

FOR ELECTRICAL TORQUE SPECIFICATIONS SEE DWG NO. 128783-01-000

FOR ELECTRICAL CALLOUTS SEE DWG NO. 121339-01-000

FIRST USED

14 R-SERIES

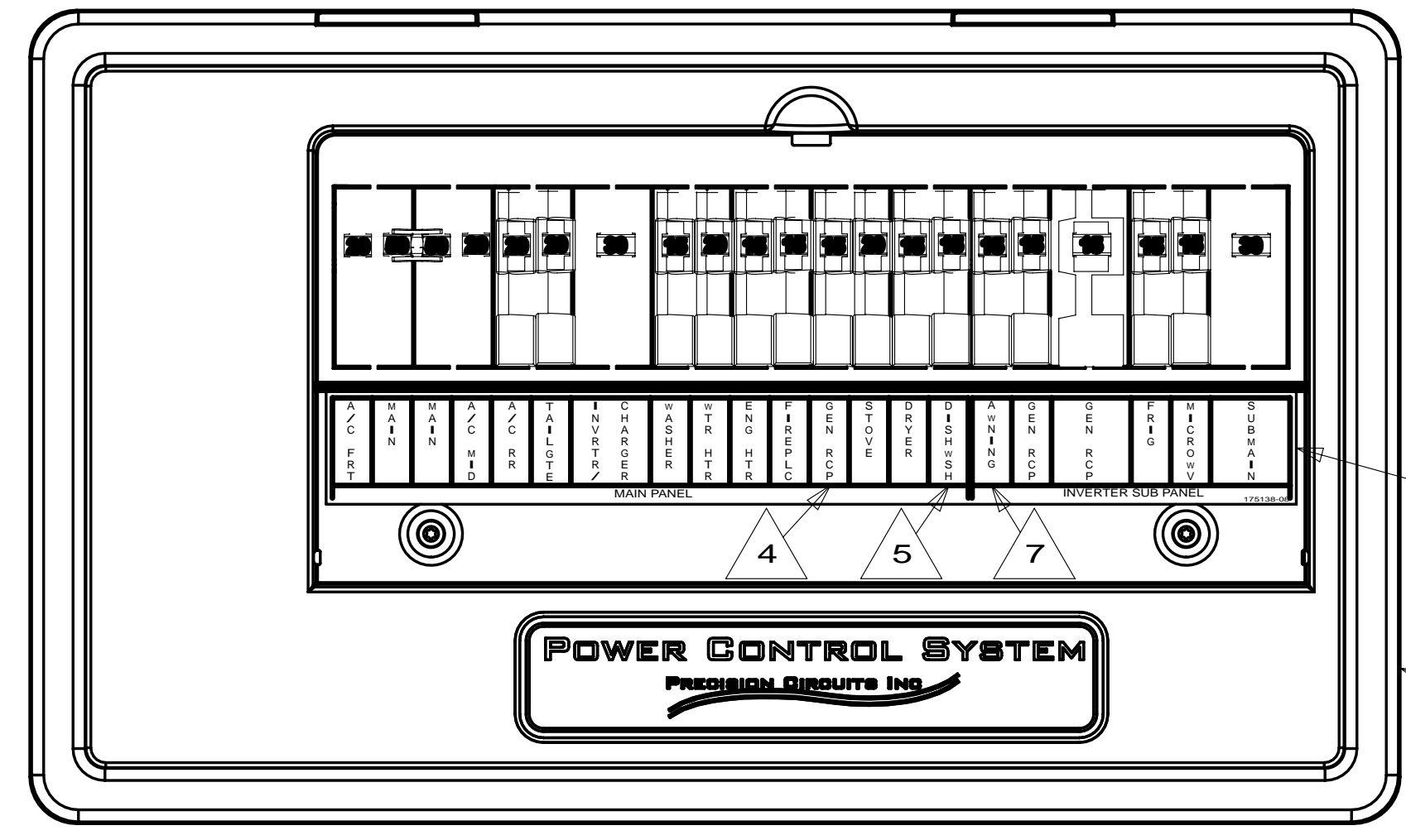
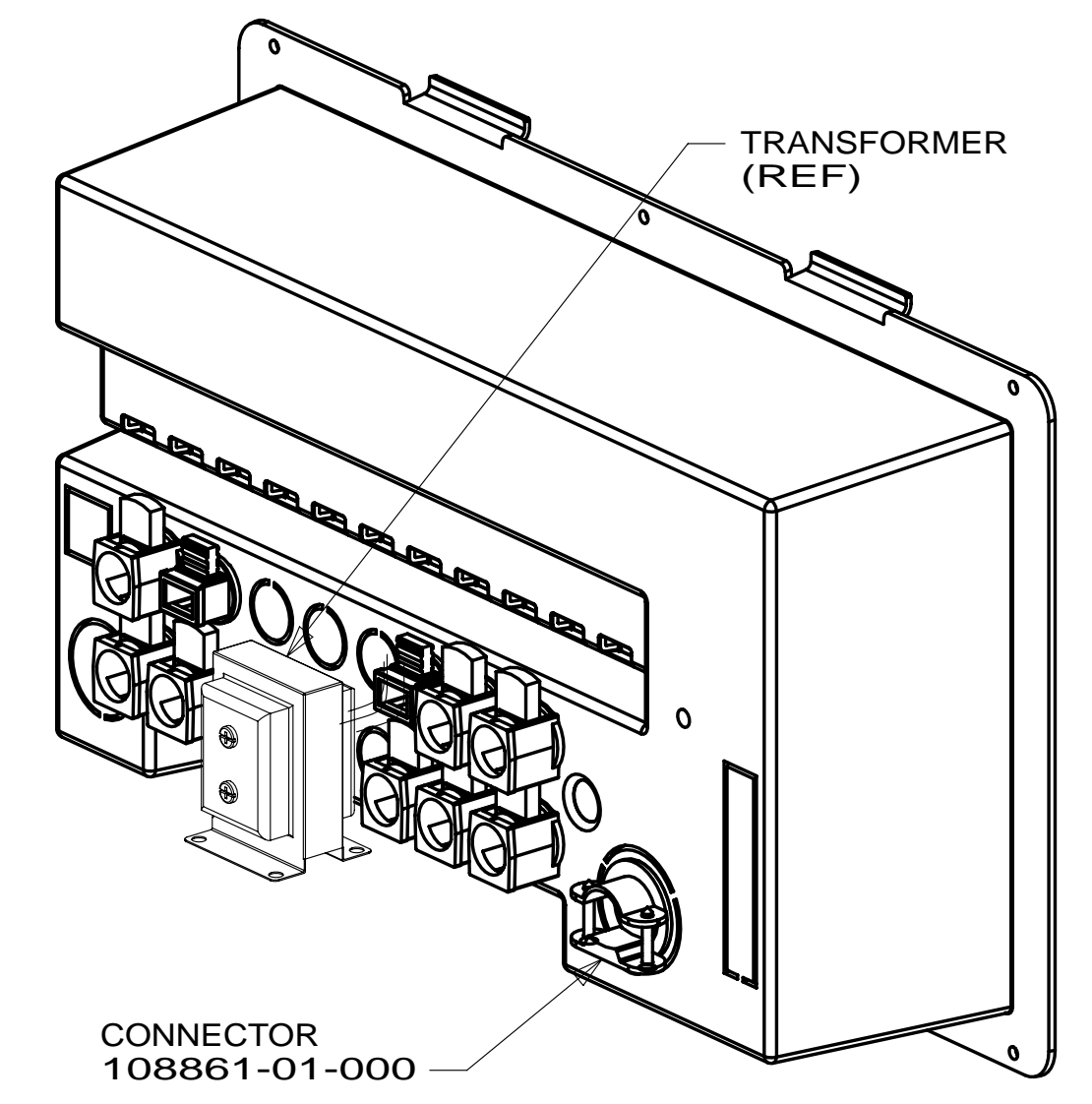
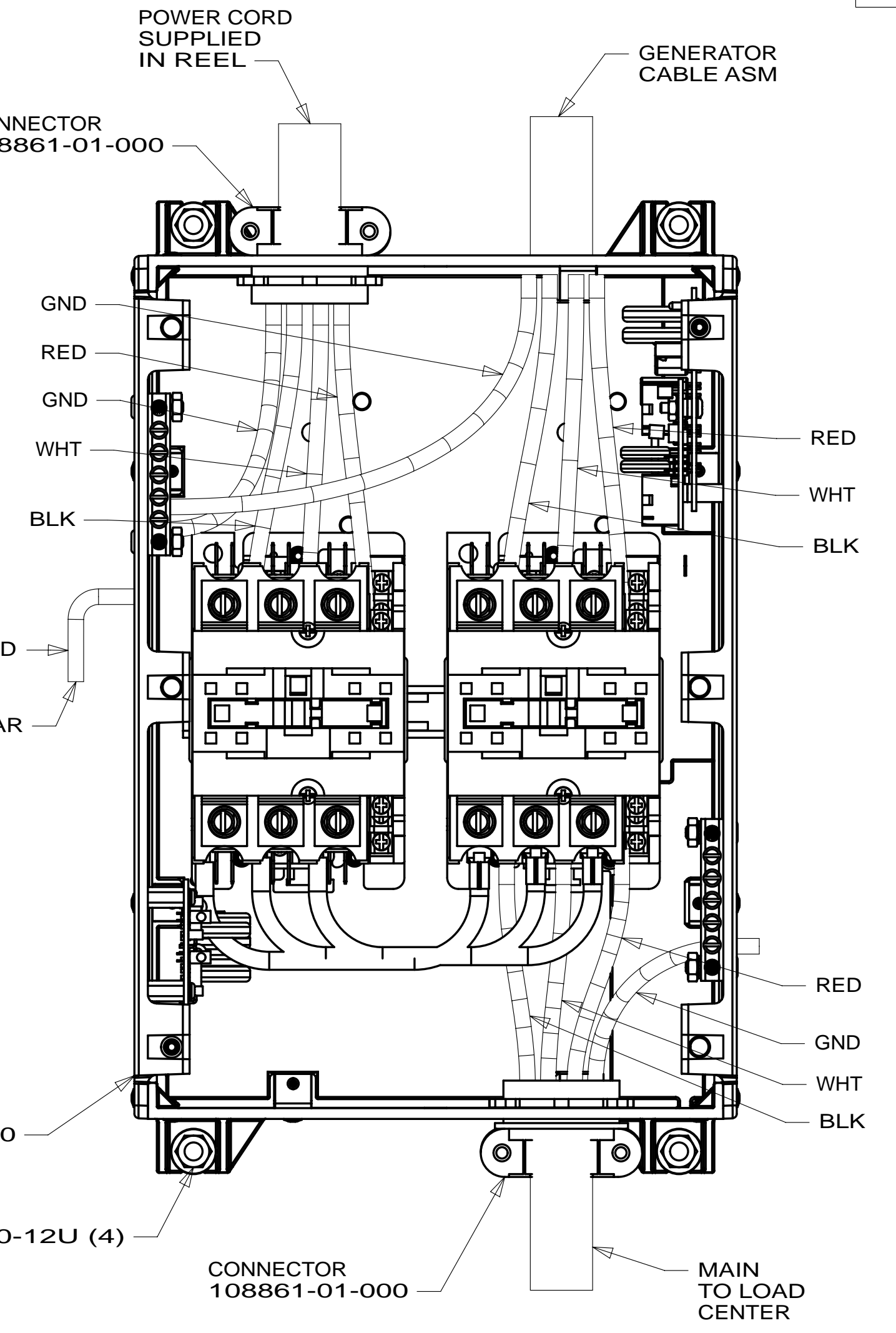
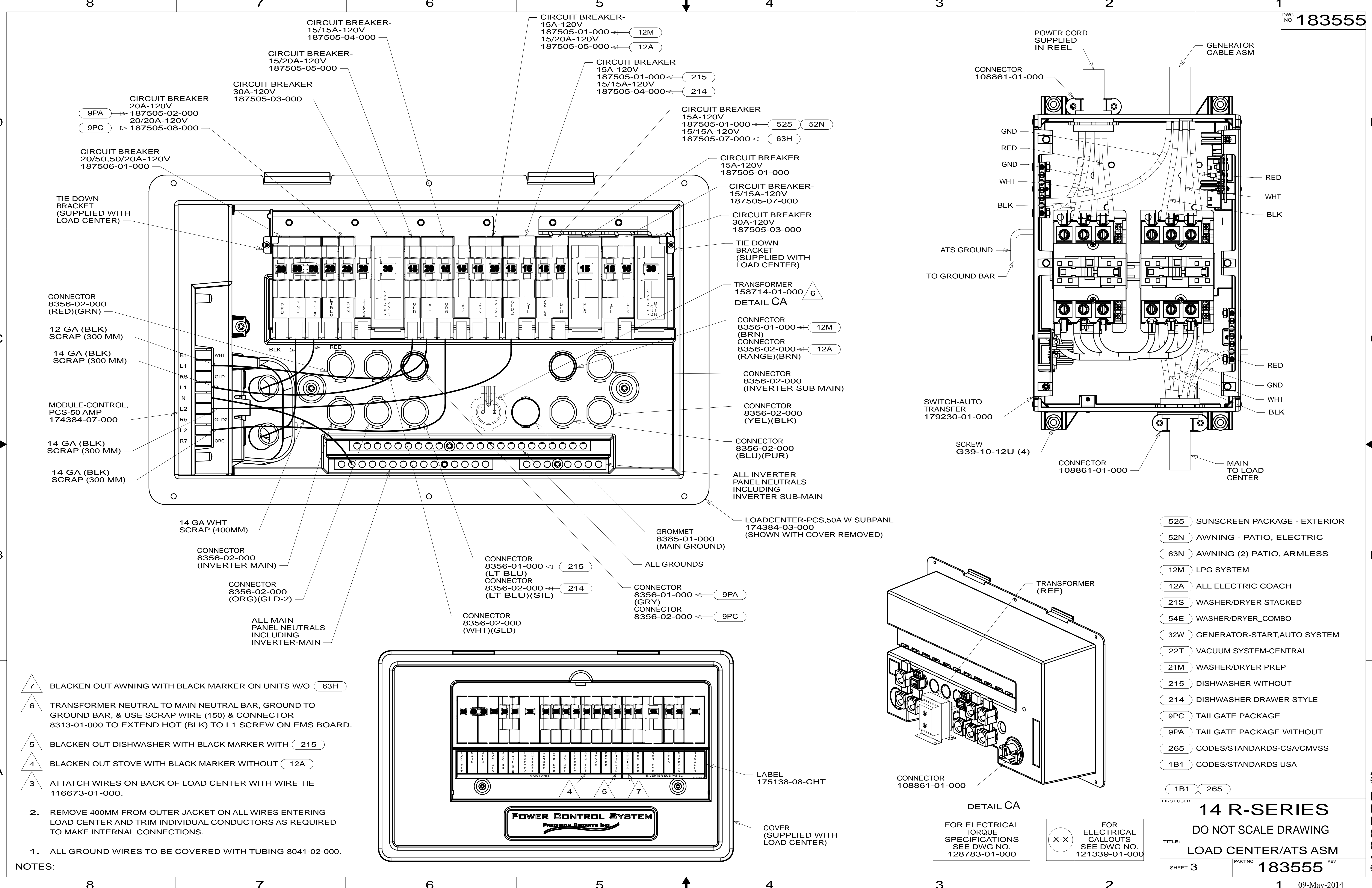
DO NOT SCALE DRAWING

TITLE: LOAD CENTER/ATS ASM

SHEET 2 PART NO 183555 REV

09-May-2014

* 183555



- 52S SUNSCREEN PACKAGE - EXTERIOR
- 52N AWNING - PATIO, ELECTRIC
- 63N AWNING (2) PATIO, ARMLESS
- 12M LPG SYSTEM
- 12A ALL ELECTRIC COACH
- 21S WASHER/DRYER STACKED
- 54E WASHER/DRYER_COMBO
- 32W GENERATOR-START,AUTO SYSTEM
- 22T VACUUM SYSTEM-CENTRAL
- 21M WASHER/DRYER PREP
- 215 DISHWASHER WITHOUT
- 214 DISHWASHER DRAWER STYLE
- 9PC TAILGATE PACKAGE
- 9PA TAILGATE PACKAGE WITHOUT
- 26S CODES/STANDARDS-CSA/CMVSS
- 1B1 CODES/STANDARDS USA

- NOTES:
- 7 BLACKEN OUT AWNING WITH BLACK MARKER ON UNITS W/O 63H
 - 6 TRANSFORMER NEUTRAL TO MAIN NEUTRAL BAR, GROUND TO GROUND BAR, & USE SCRAP WIRE (150) & CONNECTOR 8313-01-000 TO EXTEND HOT (BLK) TO L1 SCREW ON EMS BOARD.
 - 5 BLACKEN OUT DISHWASHER WITH BLACK MARKER WITH 215
 - 4 BLACKEN OUT STOVE WITH BLACK MARKER WITHOUT 12A
 - 3 ATTATCH WIRES ON BACK OF LOAD CENTER WITH WIRE TIE 116673-01-000.
2. REMOVE 400MM FROM OUTER JACKET ON ALL WIRES ENTERING LOAD CENTER AND TRIM INDIVIDUAL CONDUCTORS AS REQUIRED TO MAKE INTERNAL CONNECTIONS.
 1. ALL GROUND WIRES TO BE COVERED WITH TUBING 8041-02-000.

DETAIL CA

FOR ELECTRICAL TORQUE SPECIFICATIONS SEE DWG NO. 128783-01-000

FOR ELECTRICAL CALLOUTS SEE DWG NO. 121339-01-000

1B1 26S

FIRST USED

14 R-SERIES

DO NOT SCALE DRAWING

TITLE: **LOAD CENTER/ATS ASM**

SHEET 3 PART NO **183555** REV

09-May-2014

* 183555