



DANGER

Danger of electrical shock, burns or death. Always remove all power sources before attempting any repair, service or diagnostic work. Power can be present from shore power, generator, inverter or battery. All power sources must be disabled and secured before performing any service.

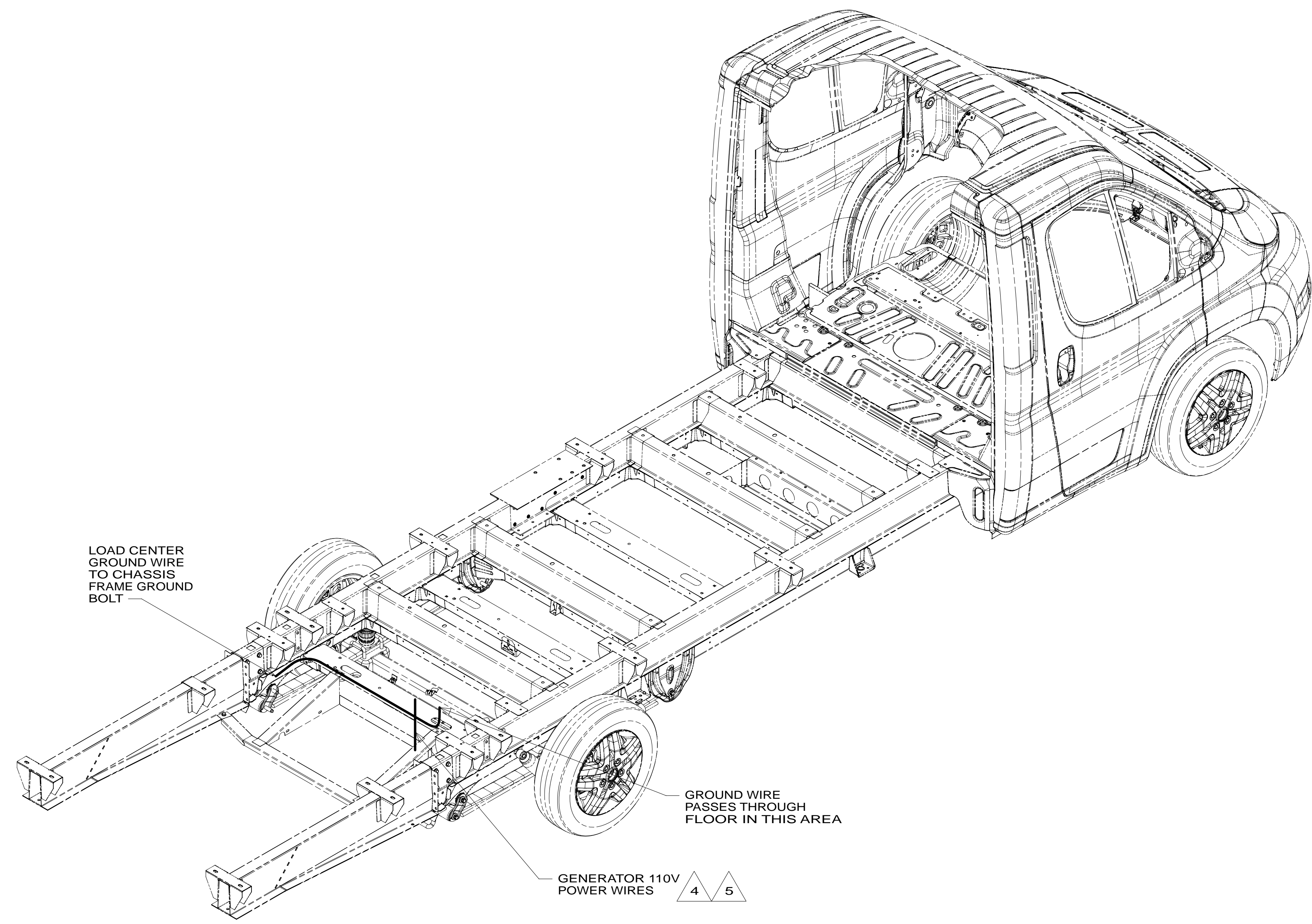


CAUTION

If you lack the skills, tools or equipment to perform diagnostic or repair work leave such work to an authorized Winnebago Industries dealer or other qualified shop.

DRAWING NO.	FEATURE
183314-01	-----
183314-11	1B1 12D
183314-15	265 12D

RELEASE	REV/DATE	DWG NO	183314
REV ZONE	REVISION RECORD	DATE	DFT-ORIG



- 12D ELECTRICAL SYSTEM 30 AMP
- 265 CODES/STANDARDS-CSA/CMVSS
- 1B1 CODES/STANDARDS USA

1B1 265

WINNEBAGO INDUSTRIES, INC. COPYRIGHT 2011 WINNEBAGO INDUSTRIES, INC.

DFT-ORIG	ORIG. DATE
CHKR	ALL DIMENSIONS ARE IN MILLIMETERS
P.E.	
M.E.	FIRST USED
DSNR	14 623L

UNSPECIFIED TOLERANCES ARE:

WHOLE DIM (X)	: 3
ONE-PLACE (X.X)	: 1.5
TWO-PLACE (X.XX)	: 0.50
ANGLE	: 1°

THIRD ANGLE PROJECTION

DO NOT SCALE DRAWING REFER TO ES0018 FOR FASTENER TIGHTENING GUIDELINES

TITLE: **WIRING INSTL-BODY, 110V**

SHEET **1** OF **4** PART NO **183314** REV

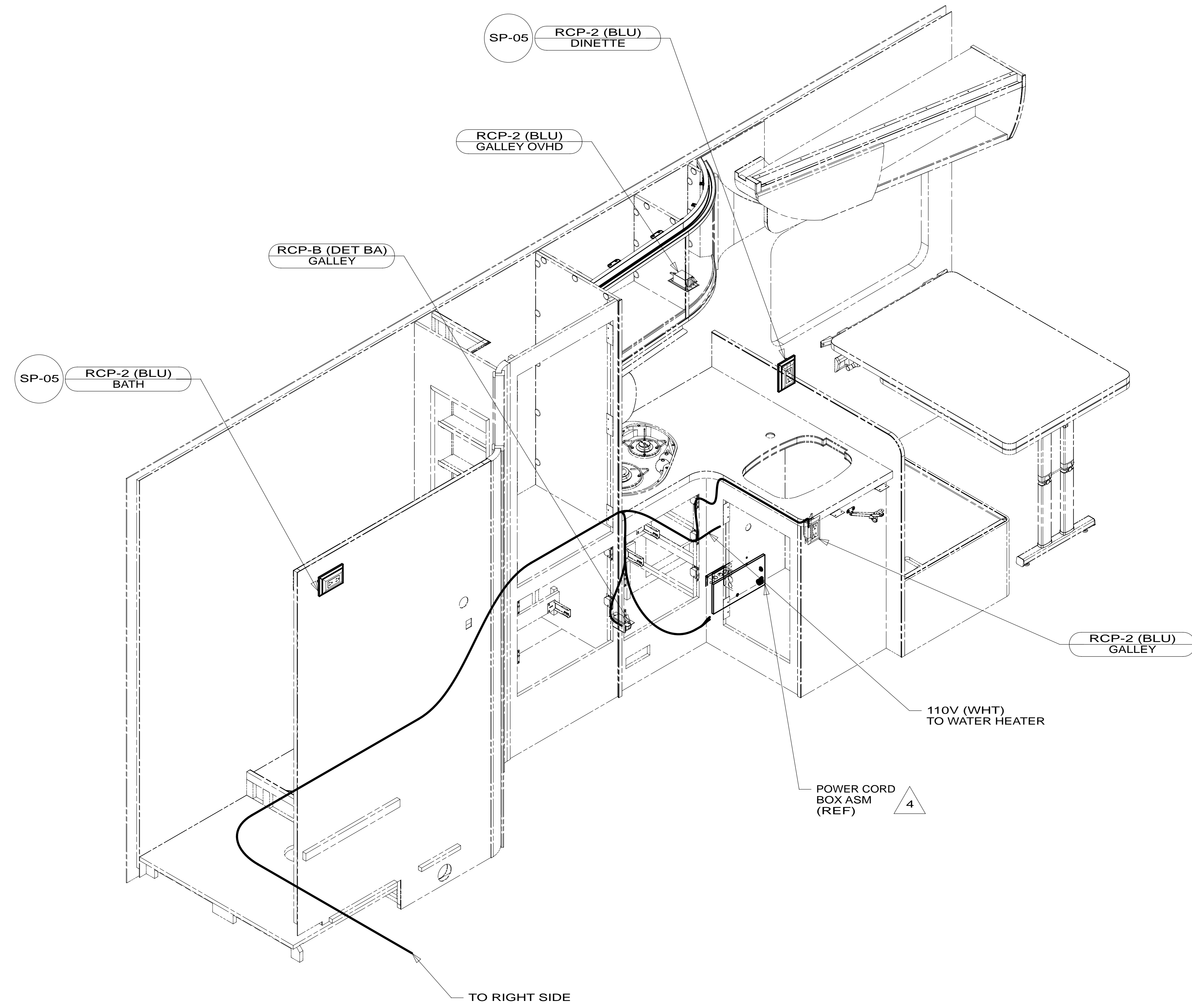
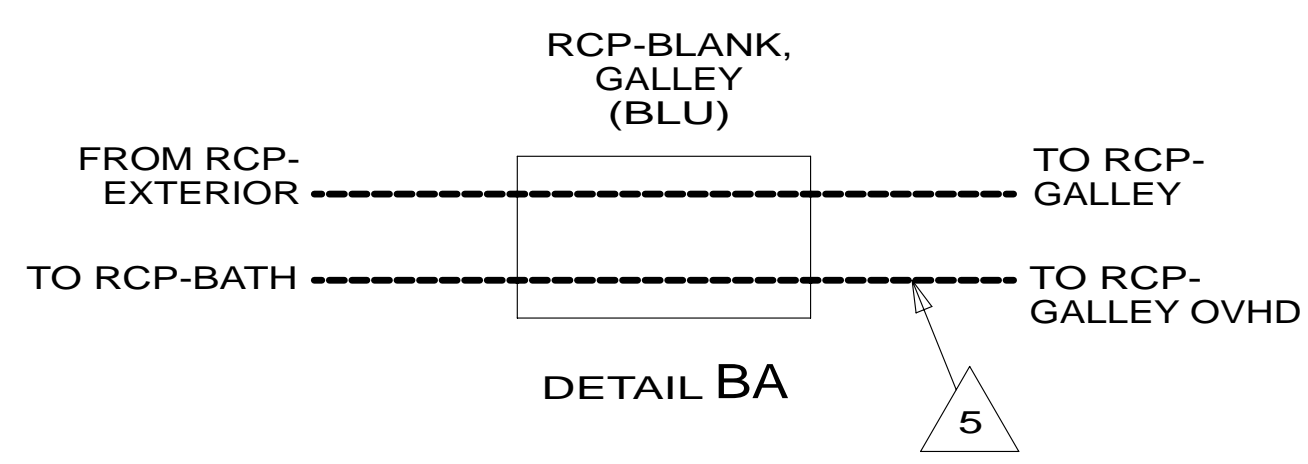
REF: **1** 29-Nov-2012

- NOTES:
- 5 ROUTE WIRES THROUGH FLOOR TO 4X4 BOX UNDER BED CABINET.
 - 4 SEE GENERATOR INSTL FOR ADDITIONAL INFORMATION.
 - 3. ALL GROUND WIRE TO BE COVERED WITH TUBING 8041-02-000.
 - 2. ALL 110V WIRE TO BE CLAMPED WITH CLAMP 10497-05-000 WITHIN 200MM OF OUTLET BOXES, USE SCREW G67-10-12U.
 - 1. ALL WIRES TO BE SECURED WITH CLAMP 10495-01-000 OR CLIP 80734-01-000 EVERY 600MM. USE SCREW G67-10-12U UNLESS OTHERWISE SPECIFIED.

FOR ELECTRICAL TORQUE SPECIFICATIONS SEE DWG NO. 128783-01-000

X-X FOR ELECTRICAL CALLOUTS SEE DWG NO. 121339-01-000

* 183314 * A



- 5 WIRE ROUTED IN SIDEWALL.
- 4 SEE LOAD CENTER/ATS ASM FOR ADDITIONAL INFORMATION.
- ALL GROUND WIRE TO BE COVERED WITH TUBING 8041-02-000.
 - ALL 110V WIRE TO BE CLAMPED WITH CLAMP 10497-05-000 WITHIN 200MM OF OUTLET BOXES, USE SCREW G67-10-12U.
 - ALL WIRES TO BE SECURED WITH CLAMP 10495-01-000 OR CLIP 80734-01-000 EVERY 600MM. USE SCREW G67-10-12U UNLESS OTHERWISE SPECIFIED.

NOTES:

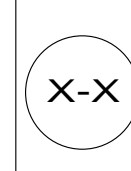
265 CODES/STANDARDS-CSA/CMVSS
 1B1 CODES/STANDARDS USA

1B1 265

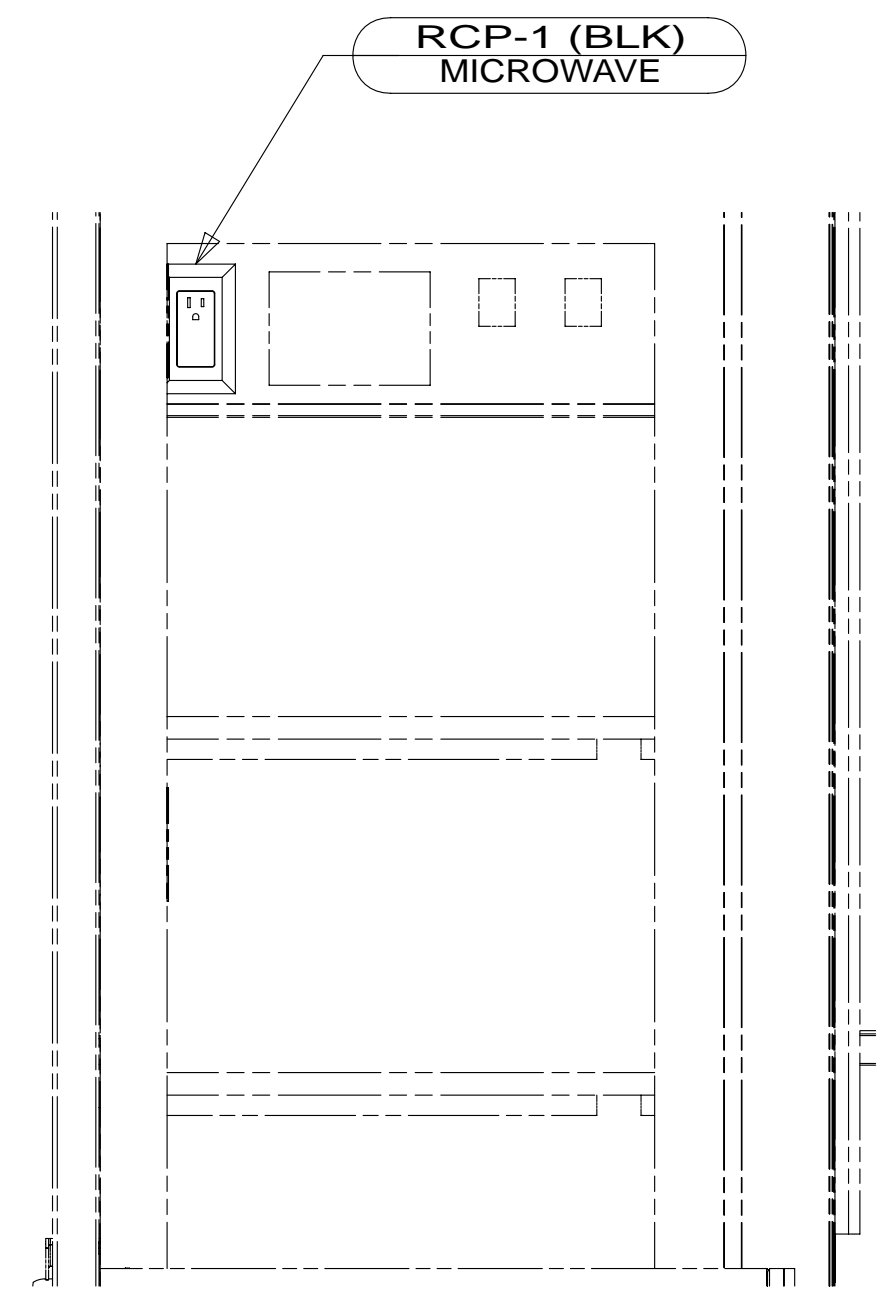
FIRST USED	14 623L	
DO NOT SCALE DRAWING		
TITLE: WIRING INSTL-BODY, 110V		
SHEET 2	PART NO 183314	REV

FOR ELECTRICAL TORQUE SPECIFICATIONS SEE DWG NO. 128783-01-000

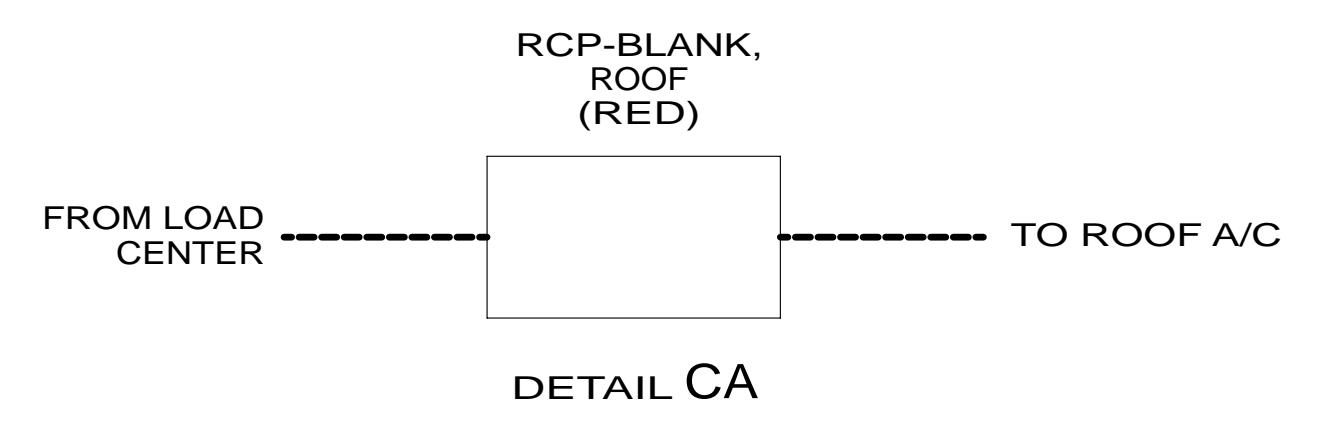
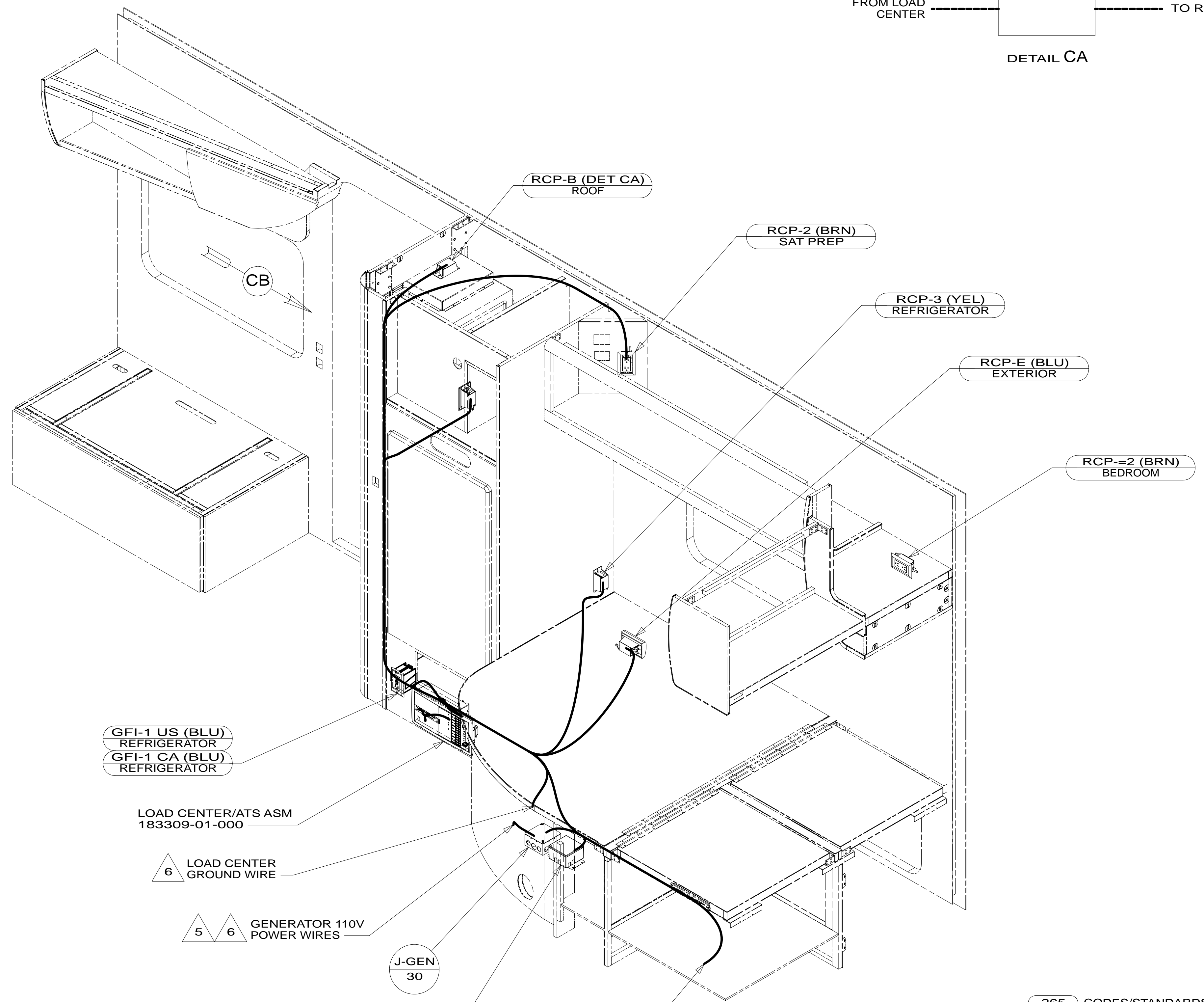
FOR ELECTRICAL CALLOUTS SEE DWG NO. 121339-01-000



*183314 *A



VIEW CB



- NOTES:
- 6 WIRES ROUTED THROUGH FLOOR.
 - 5 SEE GENERATOR INSTL FOR ADDITIONAL INFORMATION.
 - 4 SEE LOAD CENTER/ATS ASM FOR ADDITIONAL INFORMATION.
 - 3. ALL GROUND WIRE TO BE COVERED WITH TUBING 8041-02-000.
 - 2. ALL 110V WIRE TO BE CLAMPED WITH CLAMP 10497-05-000 WITHIN 200MM OF OUTLET BOXES, USE SCREW G67-10-12U.
 - 1. ALL WIRES TO BE SECURED WITH CLAMP 10495-01-000 OR CLIP 80734-01-000 EVERY 600MM. USE SCREW G67-10-12U UNLESS OTHERWISE SPECIFIED.

GFI-1 US (BLU) REFRIGERATOR
GFI-1 CA (BLU) REFRIGERATOR

LOAD CENTER/ATS ASM
183309-01-000

6 LOAD CENTER GROUND WIRE

5 6 GENERATOR 110V POWER WIRES

J-GEN
30

4 POWER SHARE MODULE

TO LEFT SIDE

FOR ELECTRICAL TORQUE SPECIFICATIONS SEE DWG NO. 128783-01-000

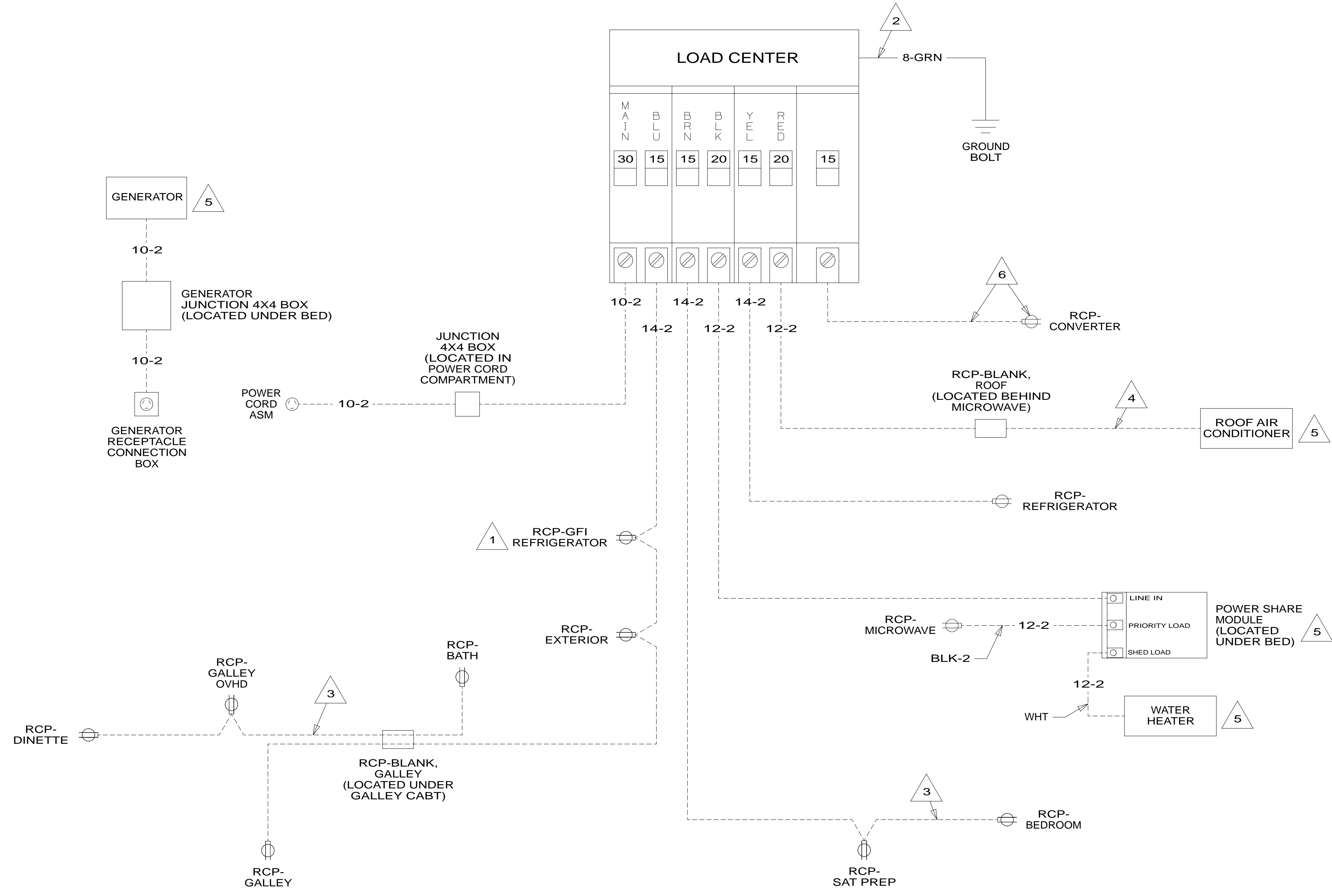
FOR ELECTRICAL CALLOUTS SEE DWG NO. 121339-01-000

265 CODES/STANDARDS-CSA/CMVSS
1B1 CODES/STANDARDS USA

1B1 265

FIRST USED		14 623L	
DO NOT SCALE DRAWING			
TITLE: WIRING INSTL-BODY, 110V			
SHEET 3	PART NO	183314	REV

*183314 *A



- 6 WIRE AND RECEPTACLE SUPPLIED INTEGRATED INTO LOAD CENTER DISTRIBUTION PANEL.
- 5 SEE MANUFACTURERS DIAGRAM.
- 4 WIRE ROUTED IN ROOF.
- 3 WIRE ROUTED IN SIDEWALL.
- 2 WIRE ROUTED THROUGH FLOOR.
- 1 ALL OUTLETS DOWN STREAM AND INCLUDING THIS OUTLET ARE GROUND FAULT INTERRUPT PROTECTED.

NOTES:

- 12D ELECTRICAL SYSTEM 30 AMP
- 265 CODES/STANDARDS-CSA/CMVSS
- 1B1 CODES/STANDARDS USA

1B1 265 12D

FIRST USED	14 623L	
TITLE:	DO NOT SCALE DRAWING	
	WIRING INSTL-BODY, 110V	
SHEET 4	PART NO 183314	REV

FOR ELECTRICAL TORQUE SPECIFICATIONS SEE DWG NO. 128783-01-000

FOR ELECTRICAL CALLOUTS SEE DWG NO. 121339-01-000

*183314 *A