



DANGER

Danger of electrical shock, burns or death. Always remove all power sources before attempting any repair, service or diagnostic work. Power can be present from shore power, generator, inverter or battery. All power sources must be disabled and secured before performing any service.

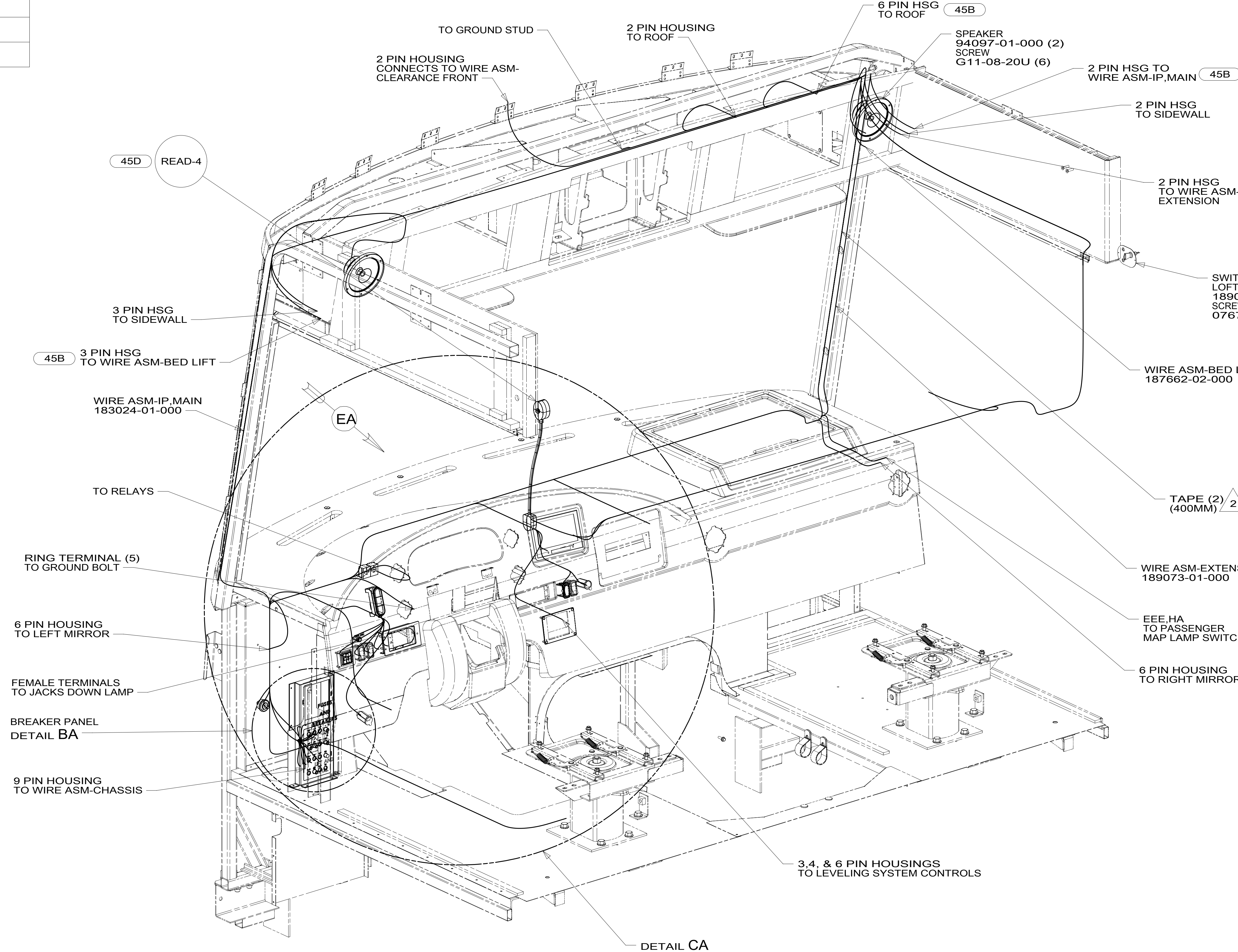


CAUTION

If you lack the skills, tools or equipment to perform diagnostic or repair work leave such work to an authorized Winnebago Industries dealer or other qualified shop.

8	
DRAWING NO.	MODEL
183023-01	E26HE
183023-02	E31KE

RELEASE	REV/DATE	DWG NO	183023
REV/ZONE	REVISION RECORD	DATE	DTR-ORIG



- NOTES:
- 4 ROUTE WIRES IN SIDEWALL.
 - 3 SEE SHEET 8 FOR ADDITIONAL INFORMATION.
 - 2 USE TAPE 136748-01-000 TO SECURE WIRES IN A-POST.
1. WINNEBAGO WIRE ASSEMBLIES ARE SHOWN FOR CLARITY.

- 45D LOFT BED - WITHOUT
- 45B LOFT BED
- 265 CODES/STANDARDS-CSA/CMVSS
- 1B1 CODES/STANDARDS USA

		COPYRIGHT 2014 WINNEBAGO INDUSTRIES, INC.
DTR	ORIG. DATE	
CHKR		ALL DIMENSIONS ARE IN MILLIMETERS
P.E.		
M.E.	FIRST USED	13 E26HE
DSNR		
UNSPECIFIED TOLERANCES ARE: WHOLE DIM (X) : 3 ONE-PLACE (X.X) : 1.5 TWO-PLACE (X.XX) : 0.50 ANGLE : 1°		MATERIAL:
THIRD ANGLE PROJECTION		
DO NOT SCALE DRAWING		REFER TO ES0018 FOR FASTENER TIGHTENING GUIDELINES
TITLE: WIRING INSTL-FRONT END		
SHEET 1 OF 8	PART NO	183023
REF:	1	23-Feb-2015

FOR ELECTRICAL TORQUE SPECIFICATIONS SEE DWG NO. 128783-01-000

X-X FOR ELECTRICAL CALLOUTS SEE DWG NO. 121339-01-000

183023

BRACKET-FUSE PANEL
149690-02-CHT
SCREW
000G11-10-08B (4)

BRACKET-CIRCUIT BREAKER
149689-01-CHT
SCREW
000G11-10-08B (4)

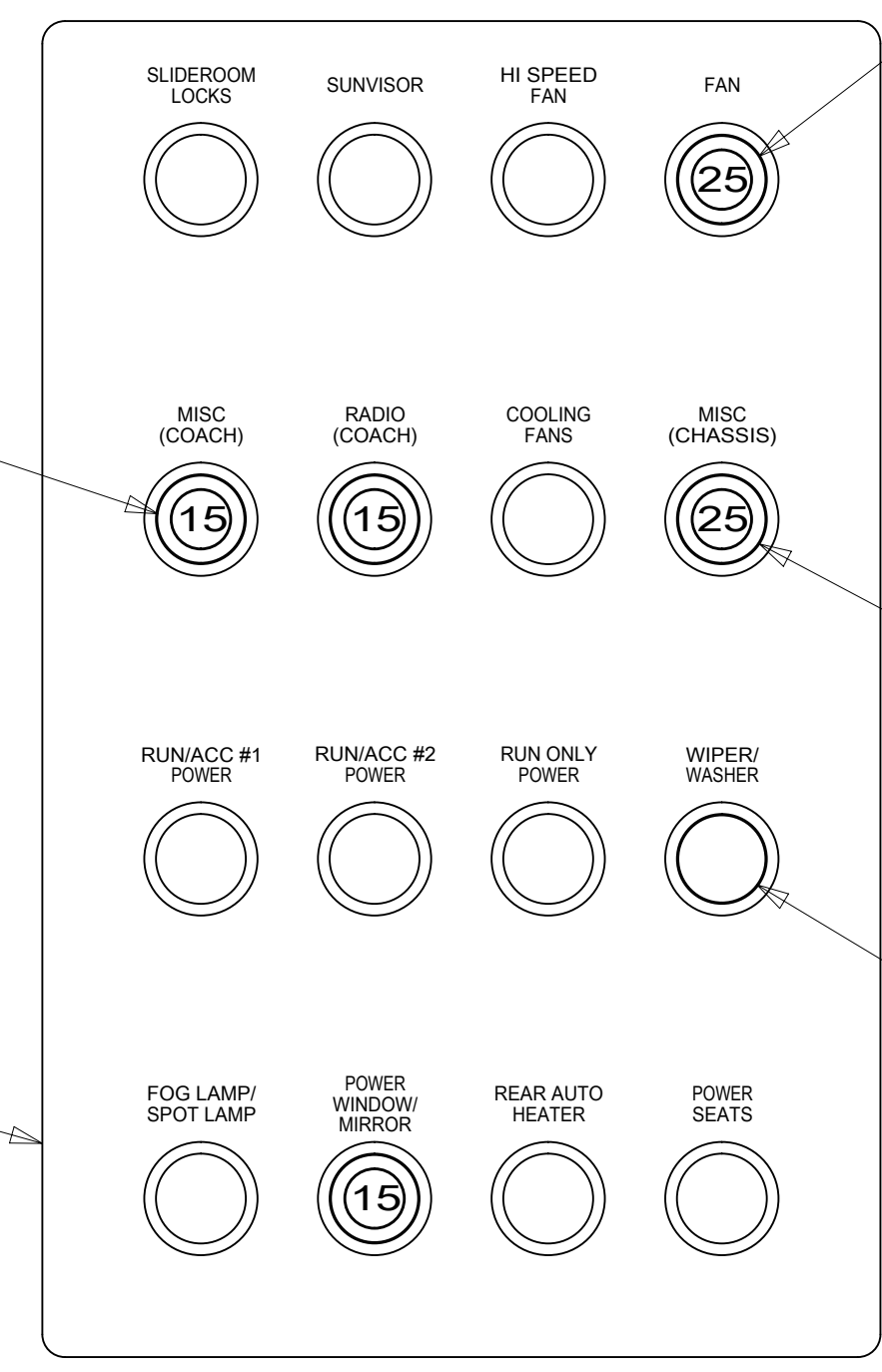
CIRCUIT BREAKER-15 AMP
93654-02-000 (3)
SCREW
G52-06-05B (3)
LOCKWASHER
OME02B-04-071 (3)

LABEL-CIRCUIT BREAKER
093236-66-000

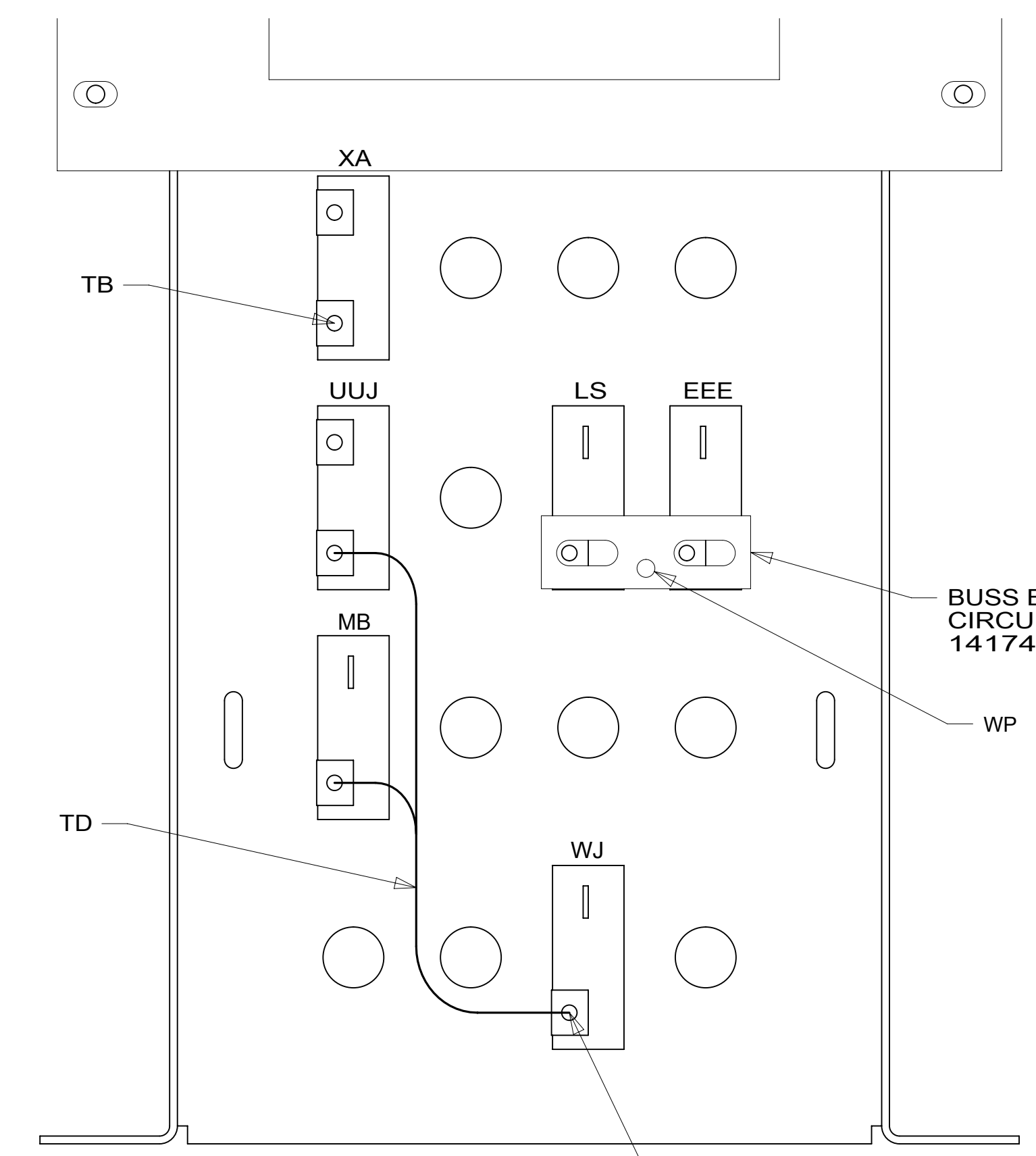
CIRCUIT BREAKER-25 AMP
93655-01-000
SCREW
G52-06-04B
G52-06-05B
LOCKWASHER
OME02B-04-071

CIRCUIT BREAKER-25 AMP
93655-01-000
SCREW
G52-06-04B
G52-06-05B
LOCKWASHER
OME02B-04-071

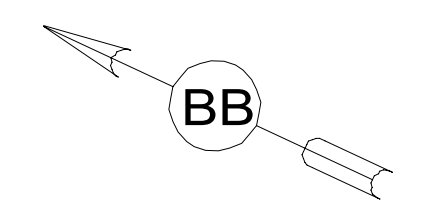
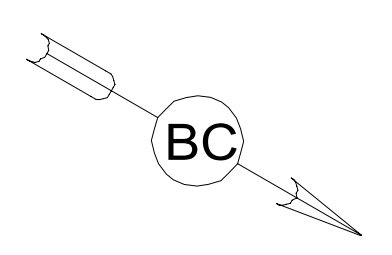
BREAKER-SELF
RESET, 20 AMP
182283-01-000
SCREW
G52-06-04B
WASHER-LOCK
OME02B-04-071



VIEW BB



VIEW BC



DETAIL BA

265 CODES/STANDARDS-CSA/CMVSS

1B1 CODES/STANDARDS USA

1B1 265

FIRST USED
13 E26HE

DO NOT SCALE DRAWING

TITLE:
WIRING INSTL-FRONT END

SHEET 2 PART NO **183023** REV

FOR ELECTRICAL
TORQUE
SPECIFICATIONS
SEE DWG NO.
128783-01-000

X-X
FOR
ELECTRICAL
CALLOUTS
SEE DWG NO.
121339-01-000

8 7 6 5 4 3 2 1

D

D

C

C

B

B

A

A

RELAY
63912-02-000 (2)
SCREW
G11-08-08B (2)

CLUSTER
CHASSIS SUPPLIED

MONITOR
DETAIL HA

1 HEADLAMP
SWITCH

RADIO-AM/FM/CD, 1-DIN
172120-14-000
BRACE-RADIO
173120-01-CHT
HARNES-RADIO
172120-15-000

60M 3 2 LIGHT ASM-INDICATOR,RED
190682-01-000
LABEL-JACKS DOWN
133533-01-CHT

SEE LEVELING
SYSTEM INSTL

STUD-FEED THRU
118499-01-000

1 INFORMATION SWITCH
BEZEL-SWITCH
172173-01-CHT
CLAMP-BEZEL
172175-01-CHT
SCREW
G11-08-08U (2)

FUSES
AND
BREAKERS

FORD DIAGNOSTIC CONNECTOR
NUT-SPEED
40921-03-000
SCREW
G11-10-10U (2)

DA

LIFT AND
PULL

- 60M HYDRAULIC LEVEL JACKS-AUTO
- 265 CODES/STANDARDS-CSA/CMVSS
- 1B1 CODES/STANDARDS USA

1B1 265

- NOTES:
- 3 WIRING FROM LEVELING SYSTEM. SEE LEVELING SYSTEM INSTL. FOR ADDITIONAL INFORMATION
 - 2 CONNECT POSITIVE WIRE TO TERMINAL MARKED WITH "RED".
 - 1 CHASSIS SUPPLIED

FOR ELECTRICAL
TORQUE
SPECIFICATIONS
SEE DWG NO.
128783-01-000

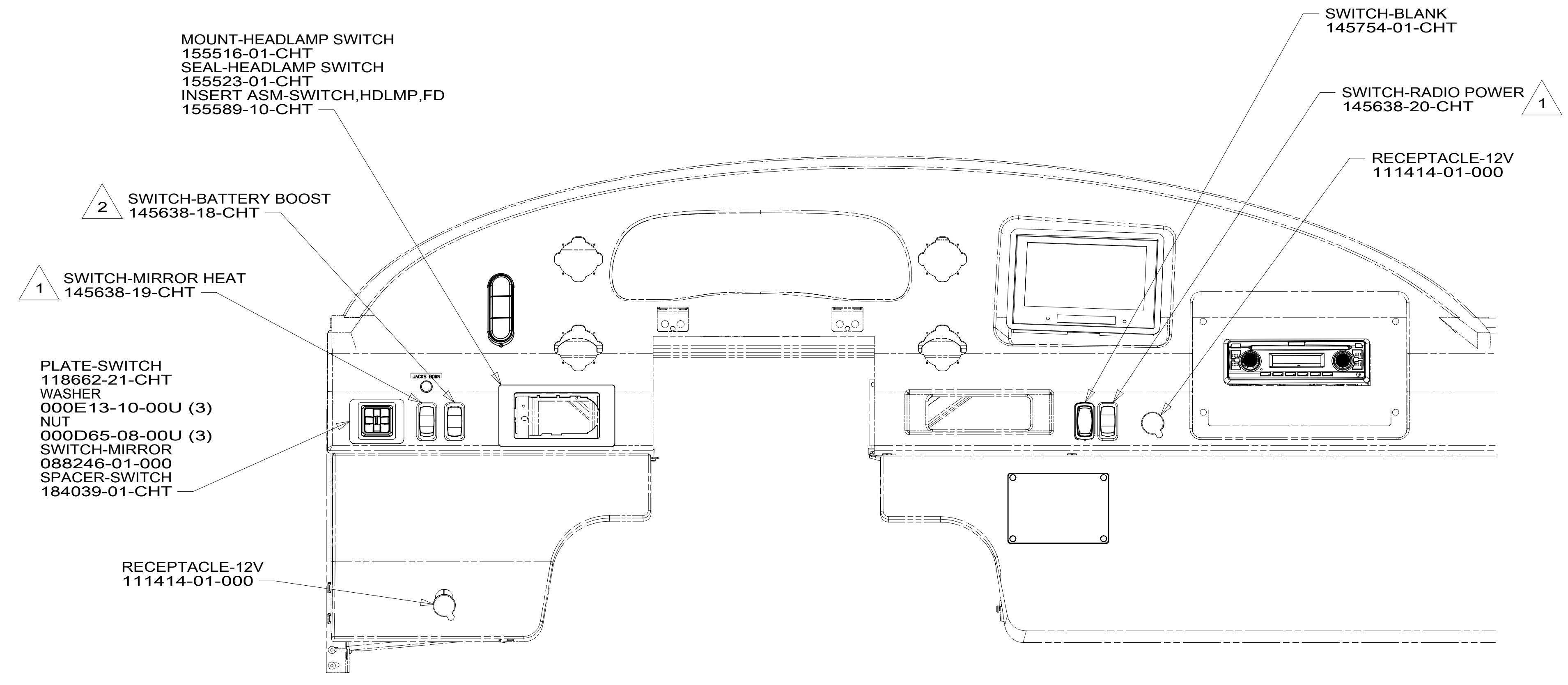
X-X
FOR
ELECTRICAL
CALLOUTS
SEE DWG NO.
121339-01-000

DETAIL CA

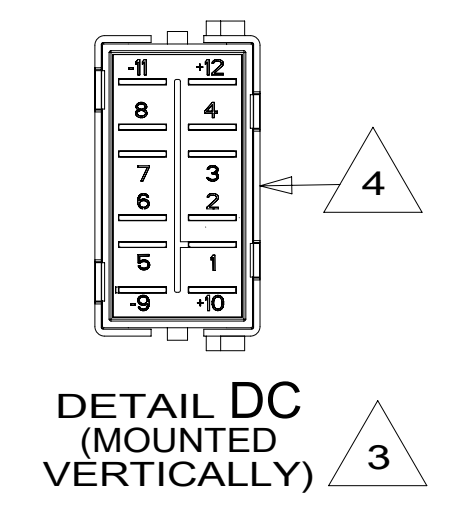
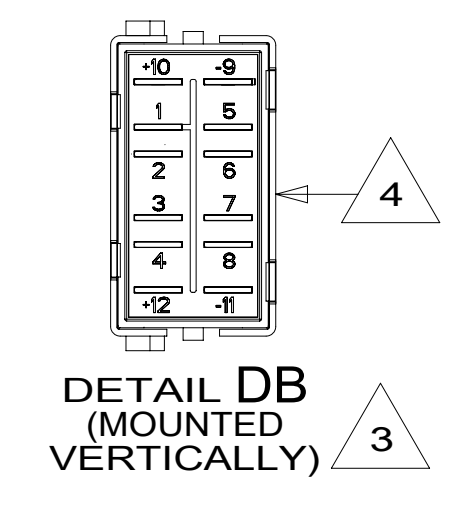
FIRST USED	
13 E26HE	
DO NOT SCALE DRAWING	
TITLE: WIRING INSTL-FRONT END	
SHEET 3	PART NO 183023 REV
1 23-Feb-2015	

8 7 6 5 4 3 2 1

183023



VIEW DA



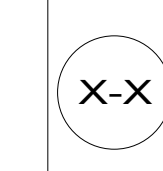
- NOTES:
- 4 WITH SWITCH INSTALLED THIS SIDE OF SWITCH WILL FACE LEFT SIDEWALL.
 - 3 DETAIL IS LOOKING AT SWITCH FROM THE BACK SIDE OF SWITCH AS ITS INSTALLED.
 - 2 SEE DETAIL DC FOR ORIENTATION.
 - 1 SEE DETAIL DB FOR ORIENTATION.

- 19V RADIO-AM/FM STEREO CD PLAYER
- 265 CODES/STANDARDS-CSA/CMVSS
- 1B1 CODES/STANDARDS USA

FIRST USED	
13 E26HE	
DO NOT SCALE DRAWING	
TITLE: WIRING INSTL-FRONT END	
SHEET 4	PART NO 183023 REV

FOR ELECTRICAL TORQUE SPECIFICATIONS SEE DWG NO. 128783-01-000

FOR ELECTRICAL CALLOUTS SEE DWG NO. 121339-01-000



*183023*A

8 7 6 5 4 3 2 1

D

D

C

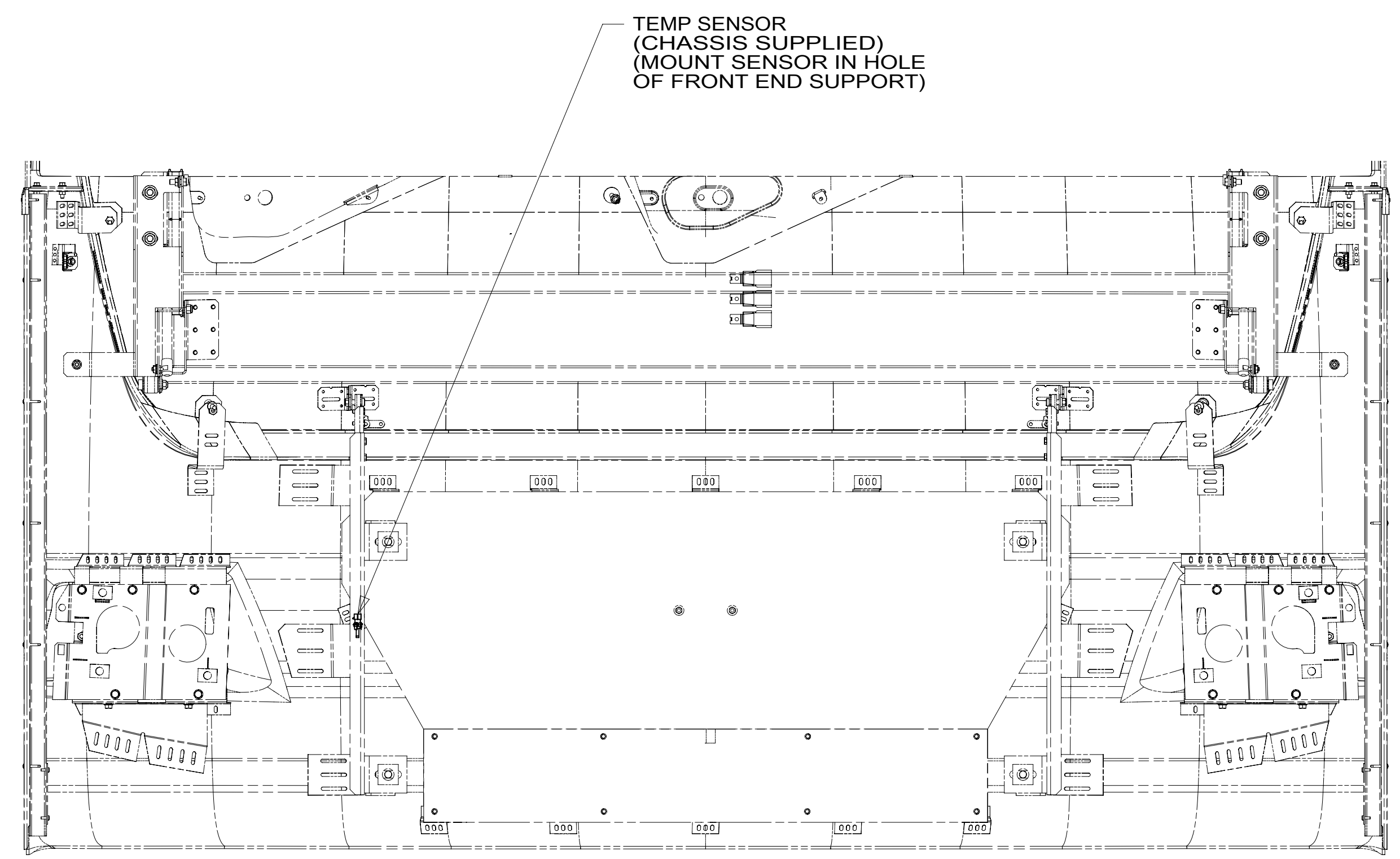
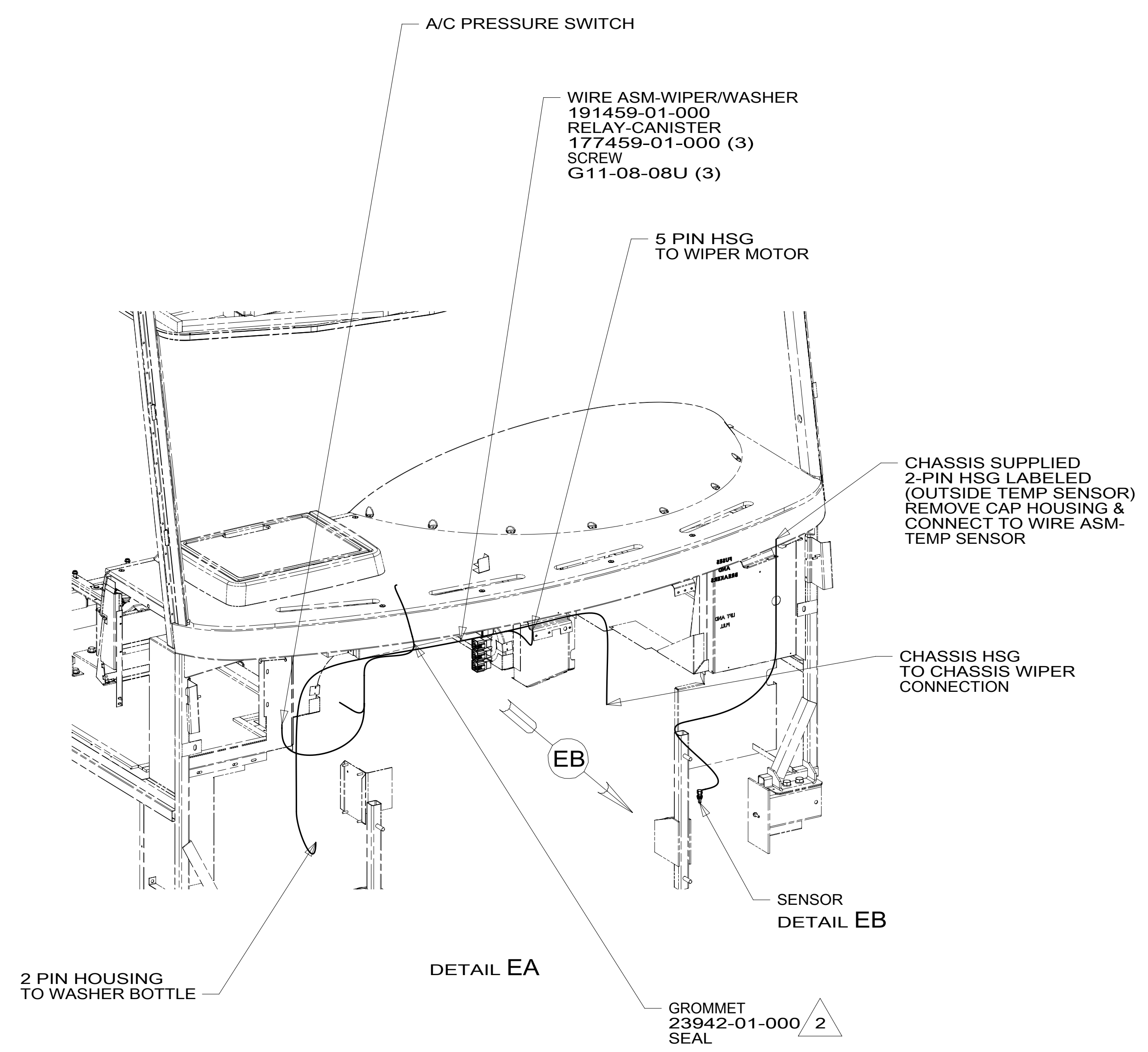
C

B

B

A

A



DETAIL EB

- 2 ROUTE WIRES THROUGH HOLE IN STEEL.
1. GATHER ALL EXCESS WIRE AFTER MAKING ALL CONNECTIONS. BUNDLE AND SECURE WITH WIRE TIE 8343-01-000 OR 93147-01-000.

NOTES:

265 CODES/STANDARDS-CSA/CMVSS

1B1 CODES/STANDARDS USA

1B1 265

FIRST USED	13 E26HE	
DO NOT SCALE DRAWING		
TITLE: WIRING INSTL-FRONT END		
SHEET 5	PART NO 183023	REV

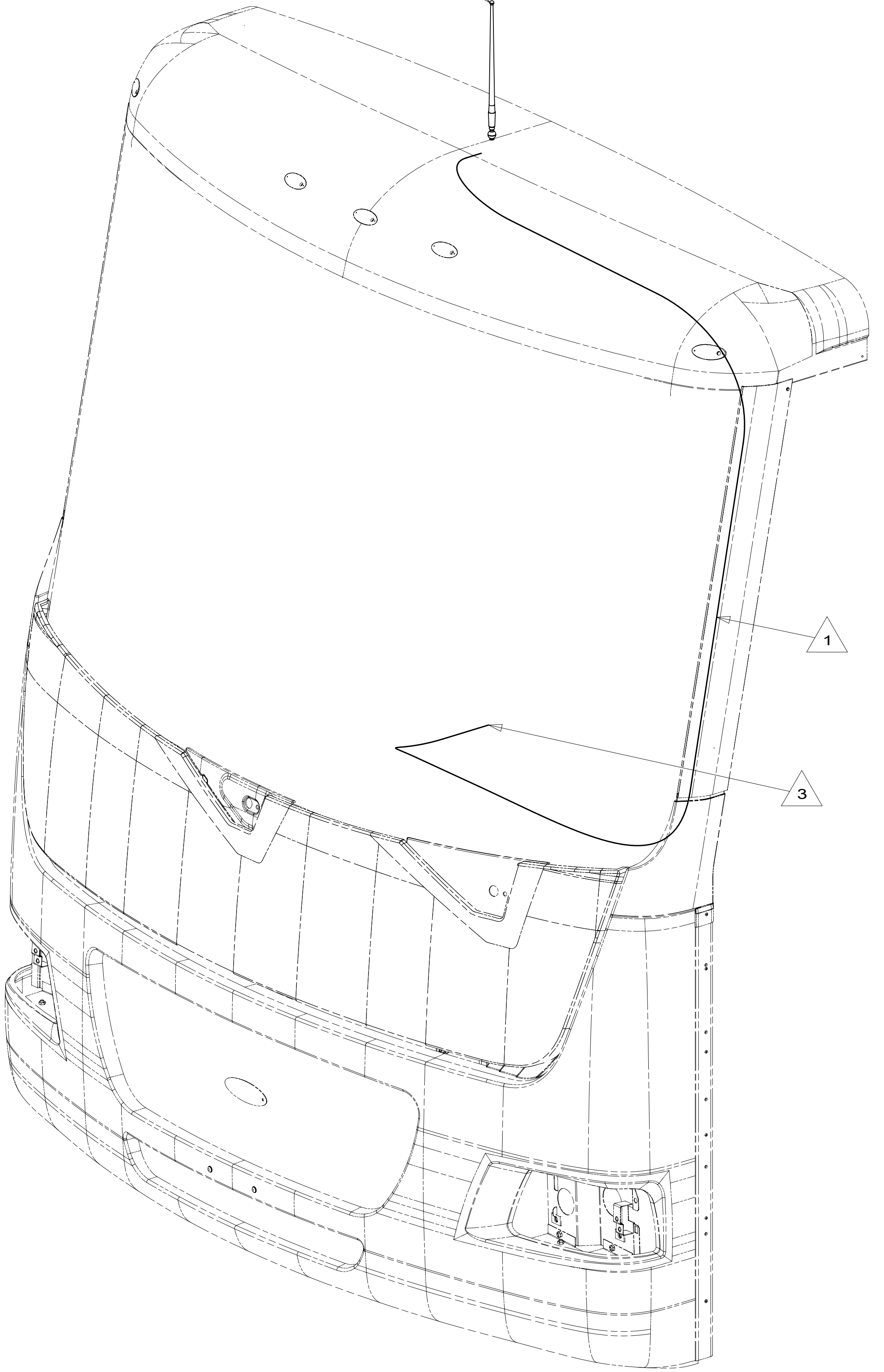
FOR ELECTRICAL TORQUE SPECIFICATIONS SEE DWG NO. 128783-01-000

FOR ELECTRICAL CALLOUTS SEE DWG NO. 121339-01-000

8 7 6 5 4 3 2 1

183023

ANTENNA-RADIO
90944-02-000
CABLE ASM-ANTENNA
90944-03-000
BRACKET-ANTENNA
115916-01-CHT
SCREW
G39-08-08B (2)



- 4 USE HOLE IN BRACKET AS GUIDE TO DRILL 13 DIAMETER HOLE IN FIBERGLASS.
- 3 TO RADIO.
- 2 SEAL AROUND ANTENNA BASE.
- 1 ROUTE CABLE ALONG A-POST, UNDER TRIM COVER.

NOTES:

FOR ELECTRICAL TORQUE SPECIFICATIONS SEE DWG NO. 128783-01-000

FOR ELECTRICAL CALLOUTS SEE DWG NO. 121339-01-000

265 CODES/STANDARDS-CSA/CMVSS
 1B1 CODES/STANDARDS USA
 1B1 265

FIRST USED	
13 E26HE	
DO NOT SCALE DRAWING	
TITLE: WIRING INSTL-FRONT END	
SHEET 6	PART NO 183023 REV

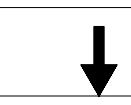
*183023 *A

8

7

6

5

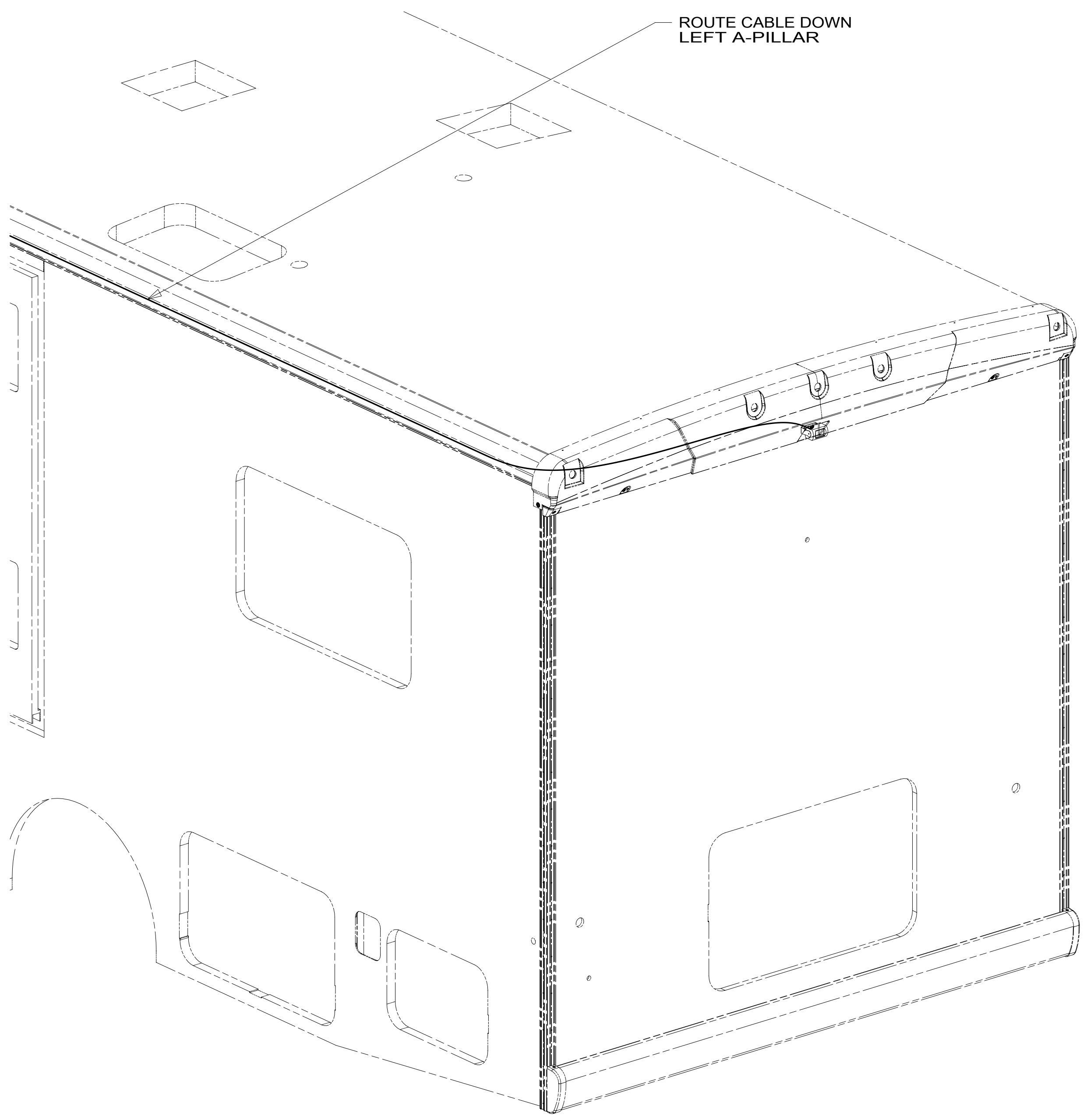


4

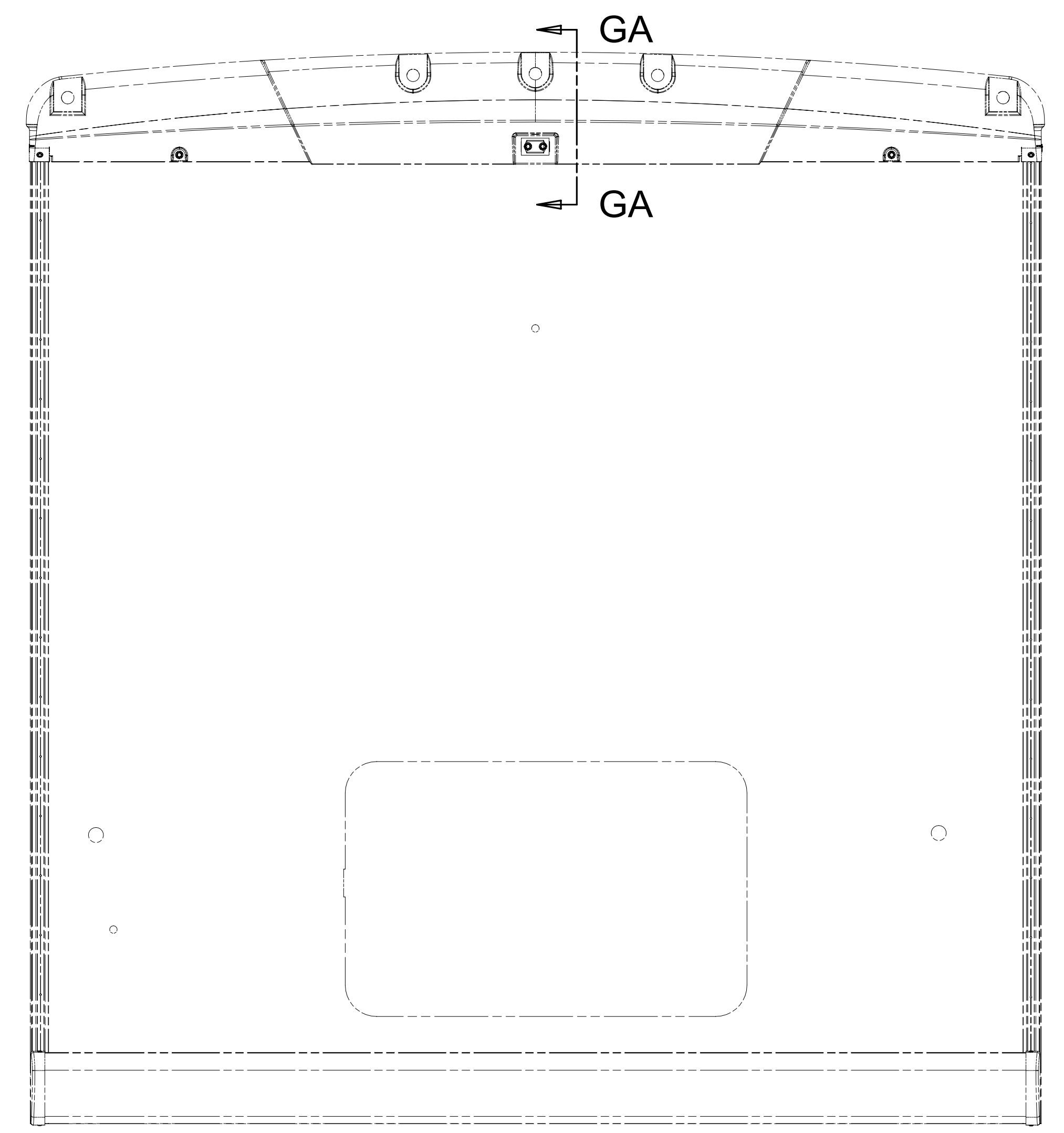
3

2

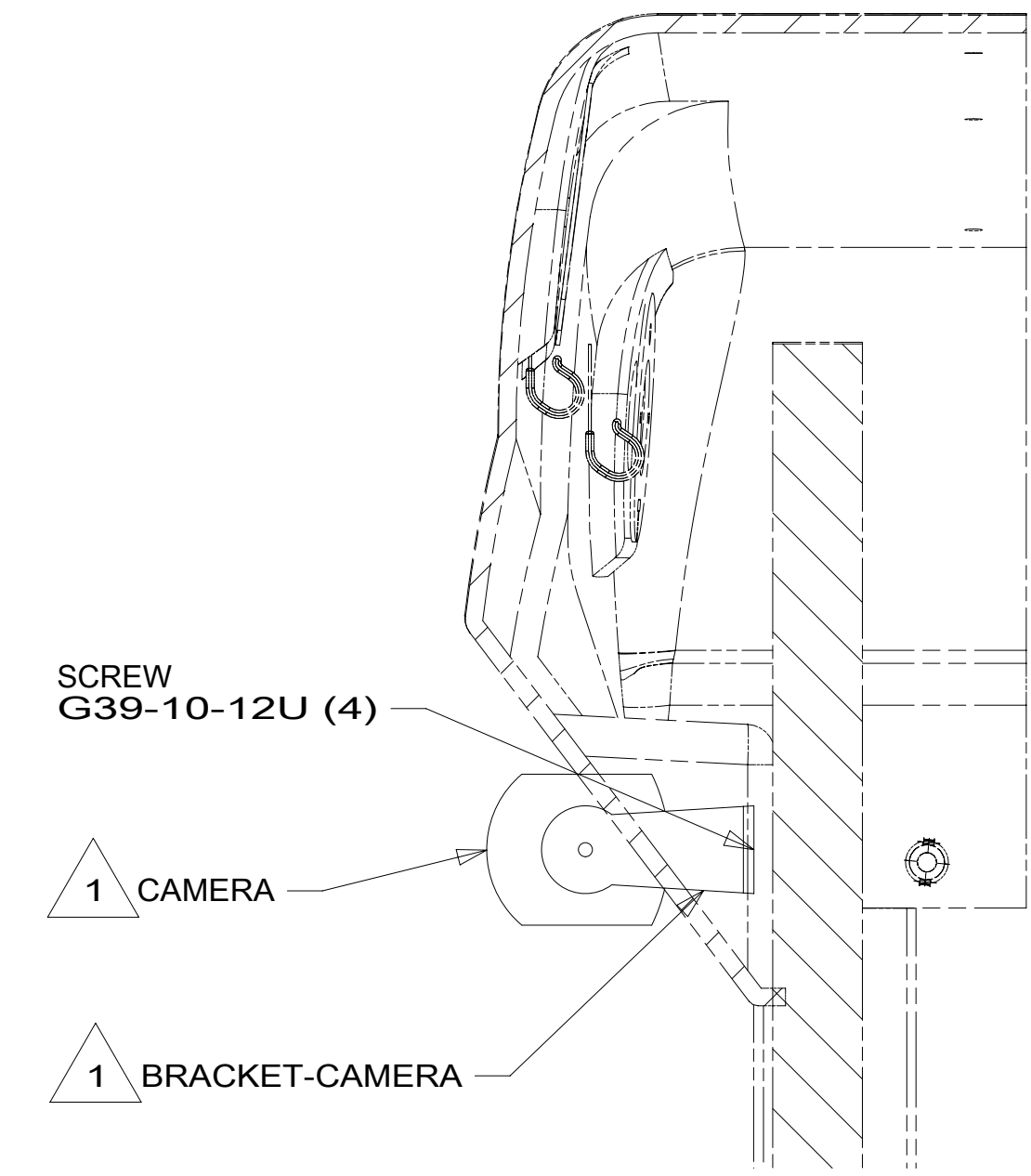
1



ROUTE CABLE DOWN LEFT A-PILLAR



GA
GA



SCREW G39-10-12U (4)

1 CAMERA

1 BRACKET-CAMERA

SECTION GA-GA 74J

1 PARTS SUPPLIED WITH CAMERA KIT P/N 177259-08-CHT 74J

NOTES:

FOR ELECTRICAL TORQUE SPECIFICATIONS SEE DWG NO. 128783-01-000

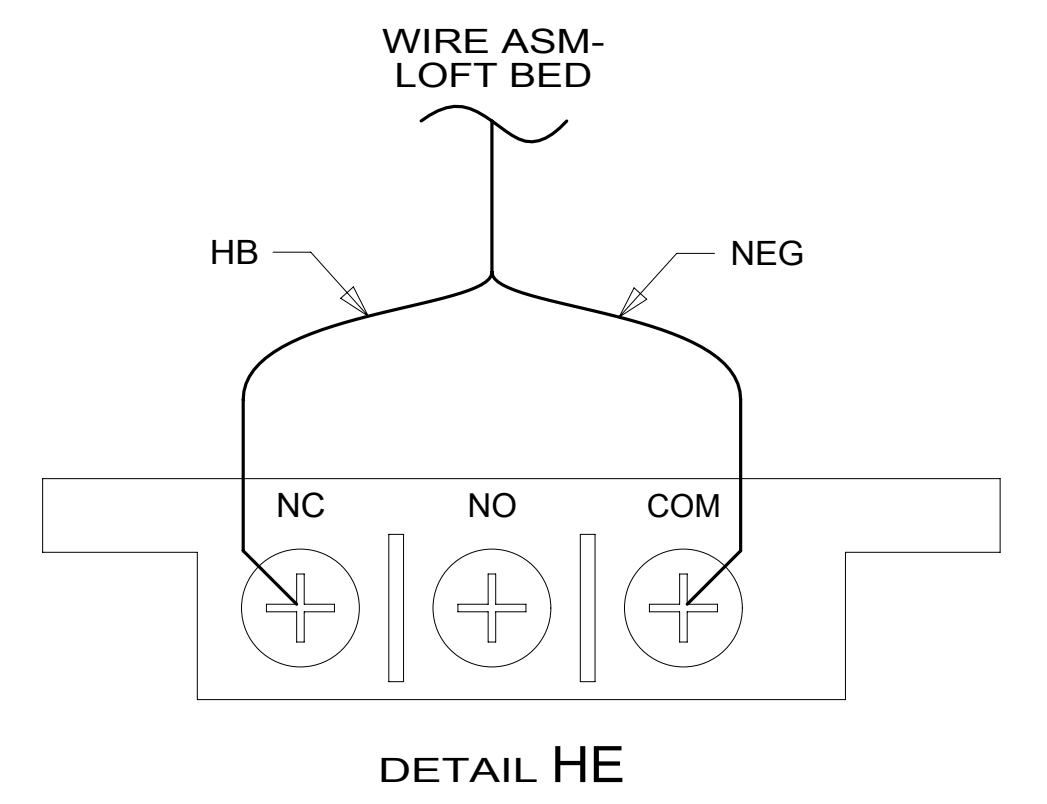
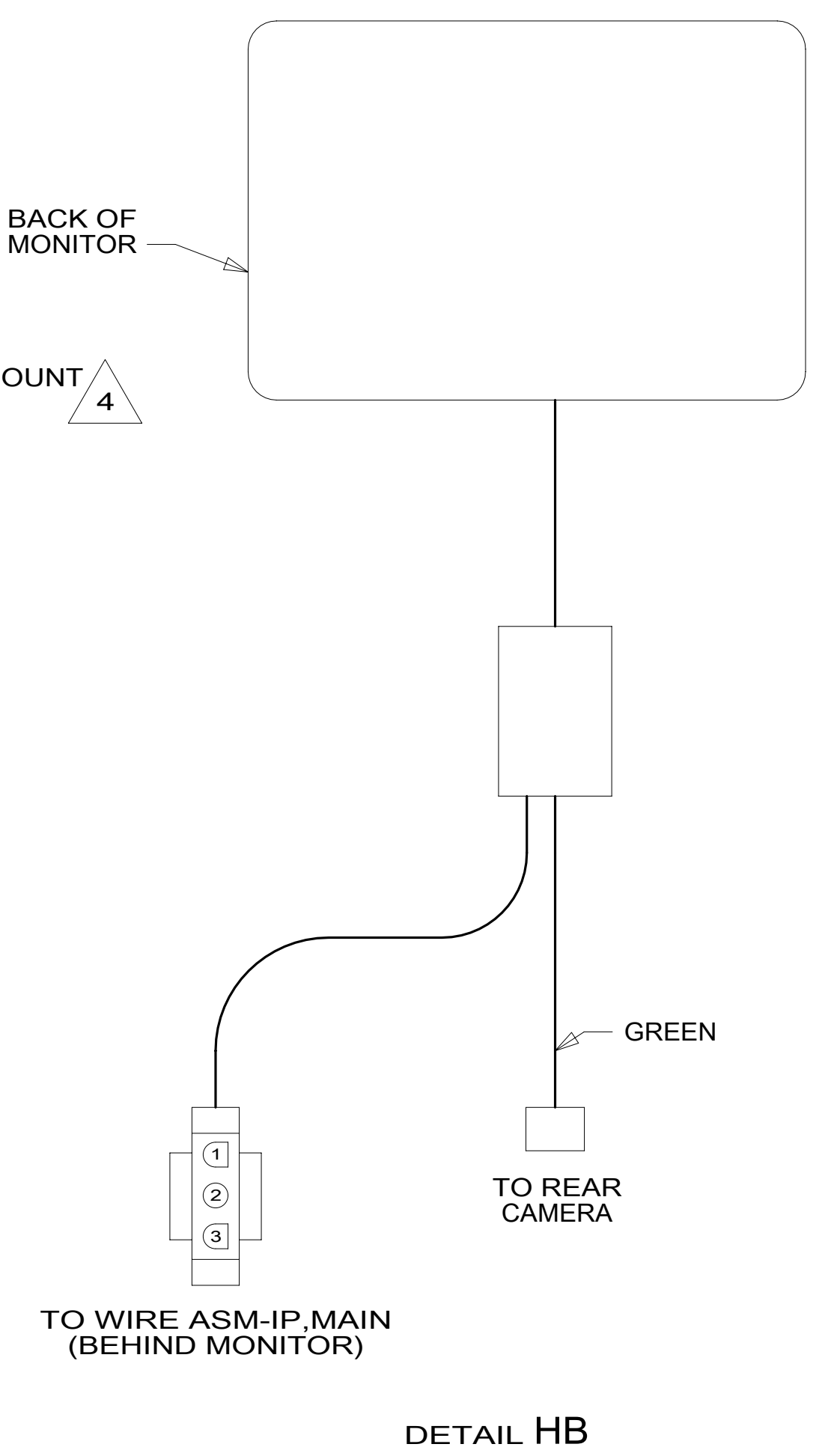
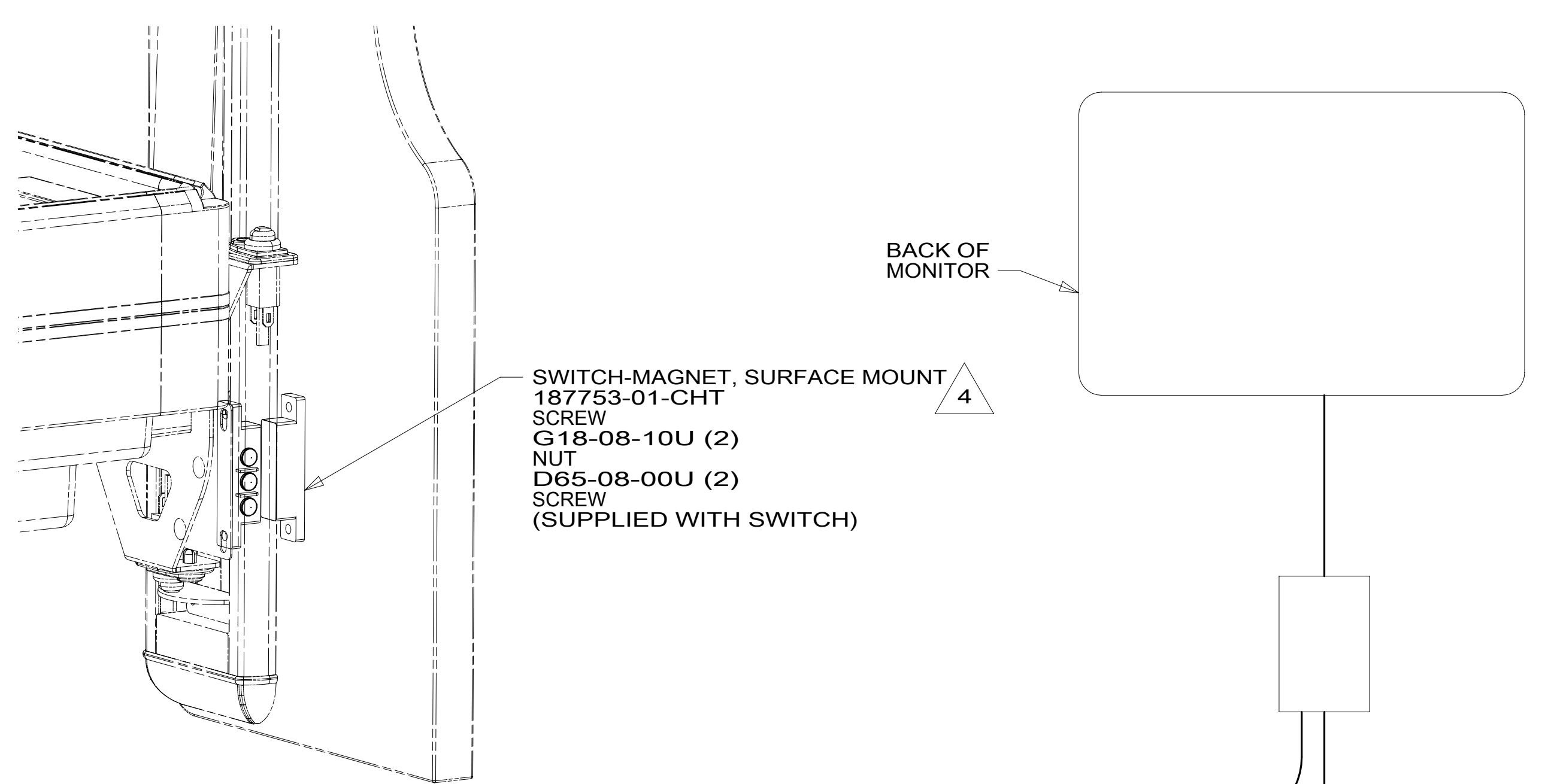
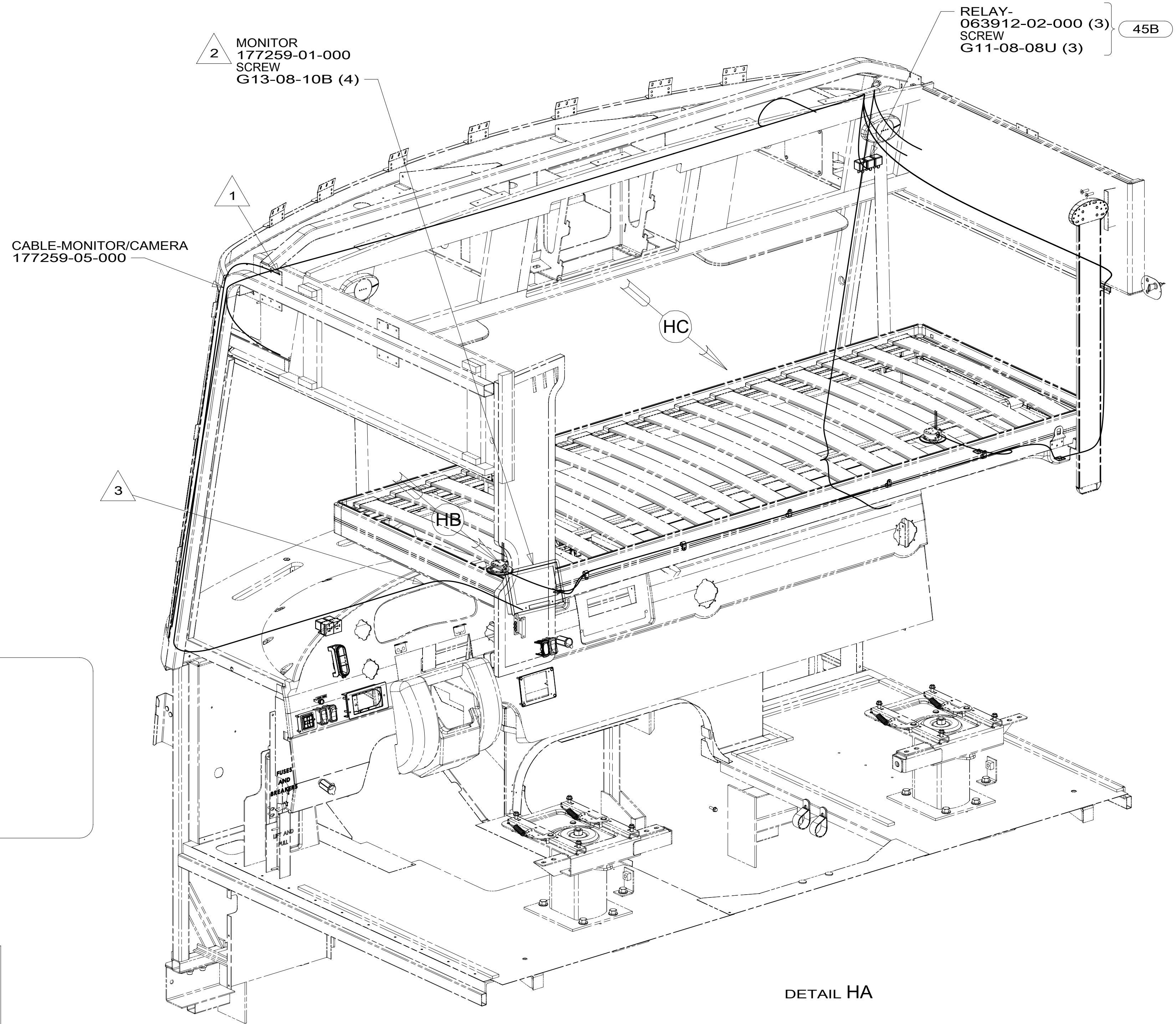
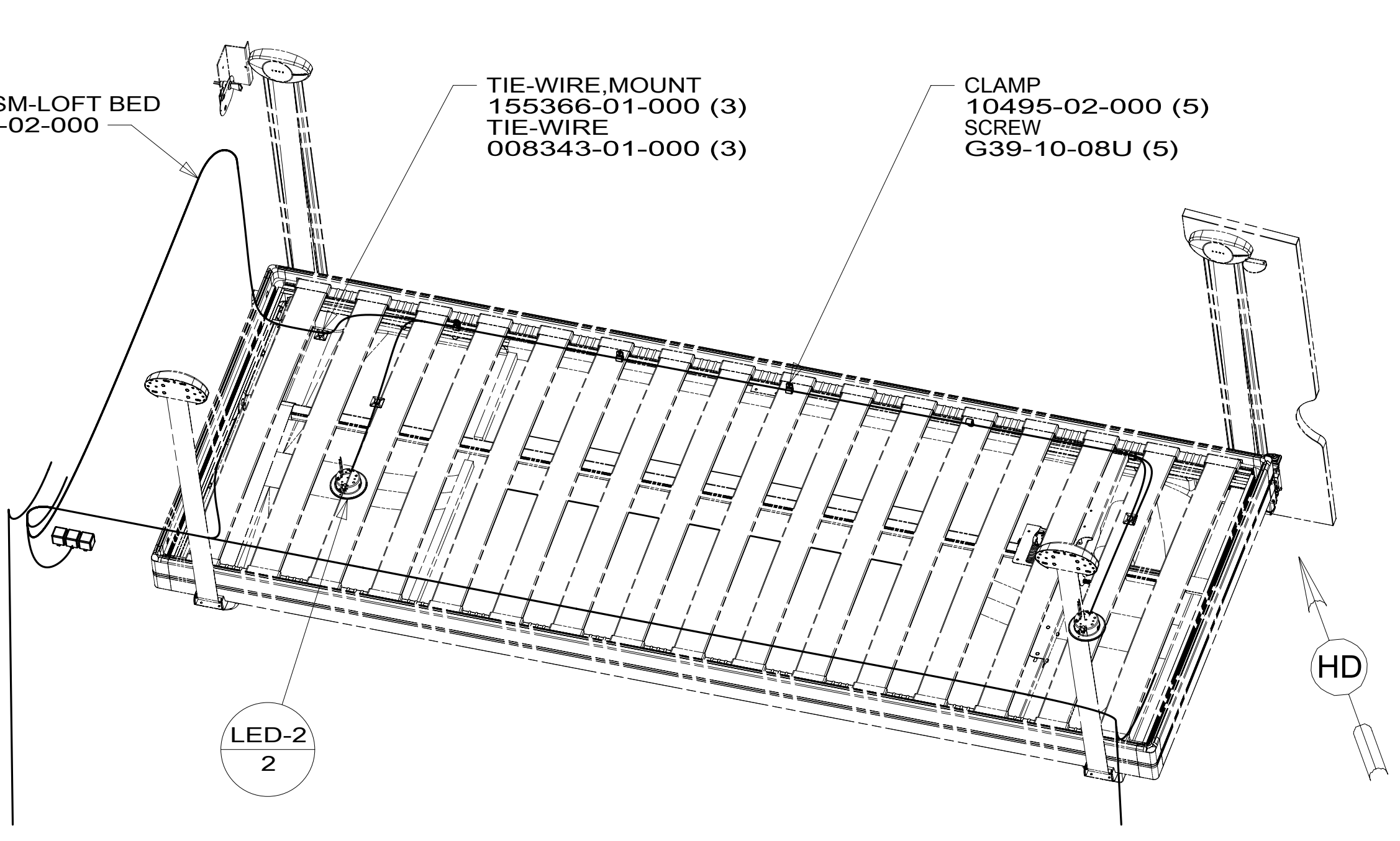
X-X FOR ELECTRICAL CALLOUTS SEE DWG NO. 121339-01-000

- 74J REARVIEW MONITOR SYSTEM
- 265 CODES/STANDARDS-CSA/CMVSS
- 1B1 CODES/STANDARDS USA

1B1 265

FIRST USED	13 E26HE	
TITLE:	DO NOT SCALE DRAWING	
	WIRING INSTL-FRONT END	
SHEET 7	PART NO 183023	REV

183023



- NOTES:
- 4 SEE DETAIL HE FOR WIRING CONNECTIONS.
 - 3 END CABLE IN THIS AREA ON UNITS W/O MONITOR 1A5 1H4
 - 2 USE SUPPLIED SCREWS TO MOUNT MONITOR TO ADAPTER.
 - 1 RUN CABLE THRU LEFT-HAND COVE TO REAR OF UNIT. STANDARD ON ALL UNITS. SEE SHEET 8.

- 45B LOFT BED
- 1H4 REARVIEW MONITOR-WIRE PREP
- 1A5 REARVIEW MONITOR SYSTEM W/O
- 265 CODES/STANDARDS-CSA/CMVSS
- 1B1 CODES/STANDARDS USA

FOR ELECTRICAL TORQUE SPECIFICATIONS SEE DWG NO. 128783-01-000

FOR ELECTRICAL CALLOUTS SEE DWG NO. 121339-01-000

FIRST USED	13 E26HE	
DO NOT SCALE DRAWING		
TITLE: WIRING INSTL-FRONT END		
SHEET 8	PART NO 183023	REV
1 23-Feb-2015		

183023