



DANGER

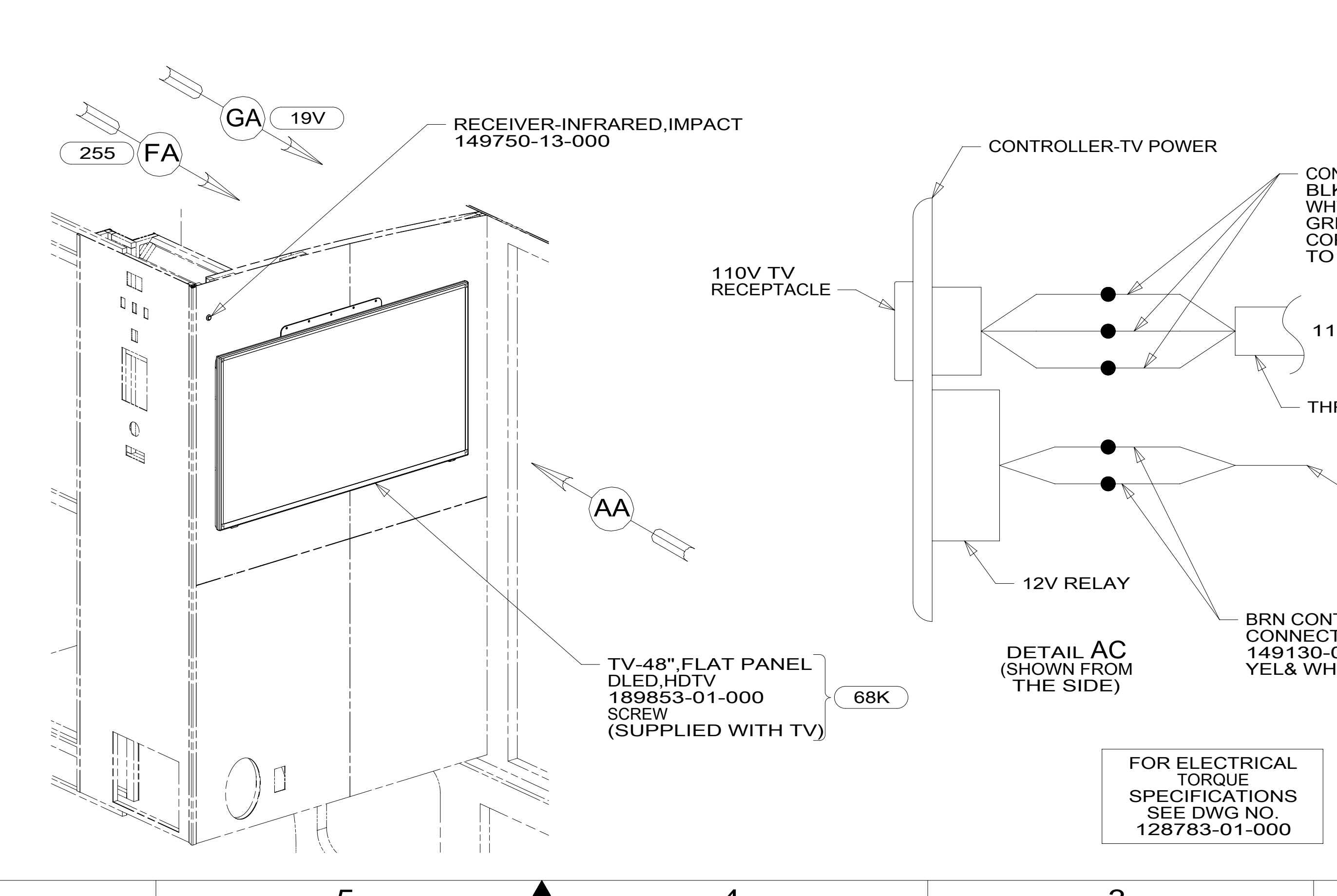
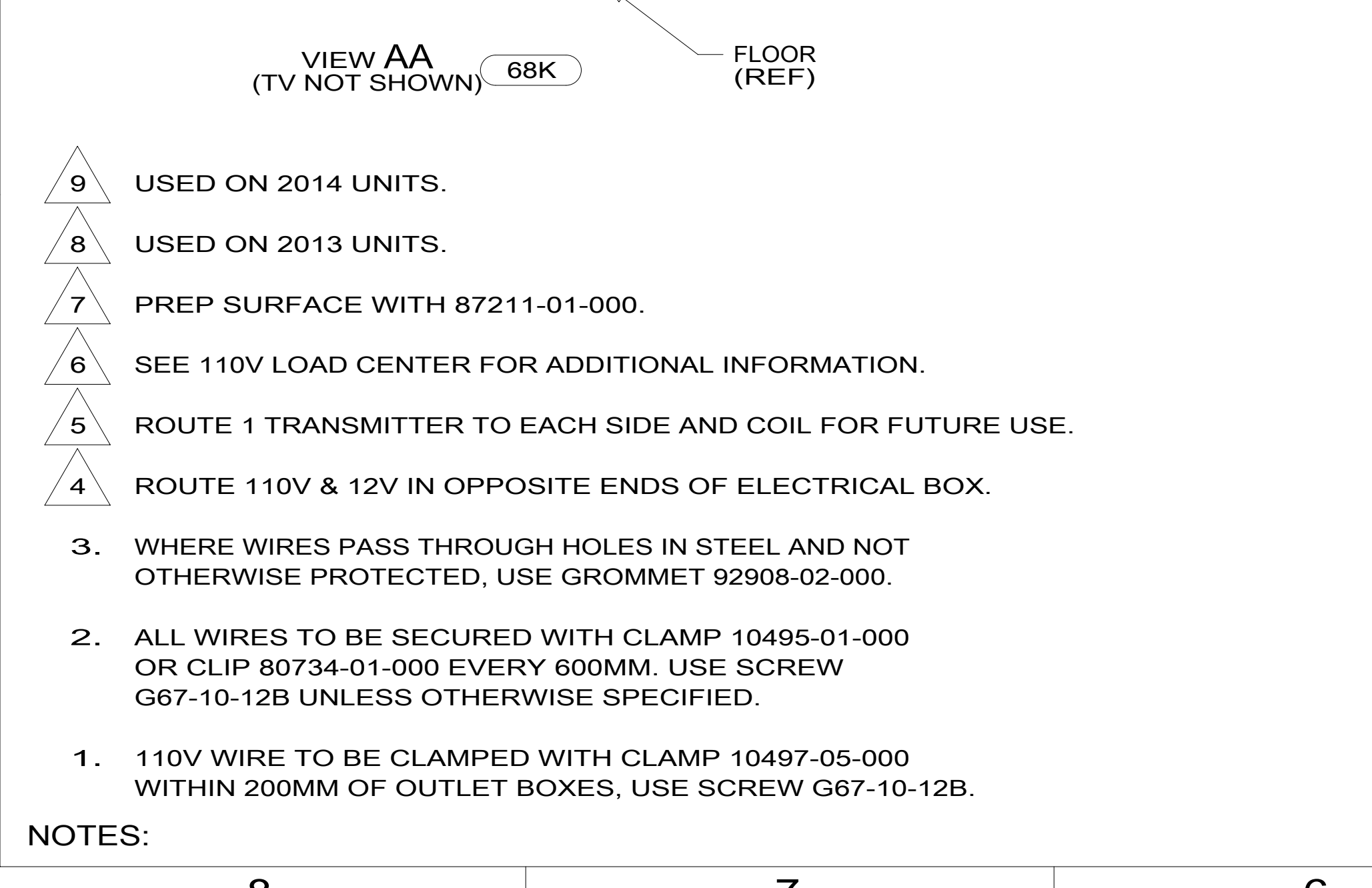
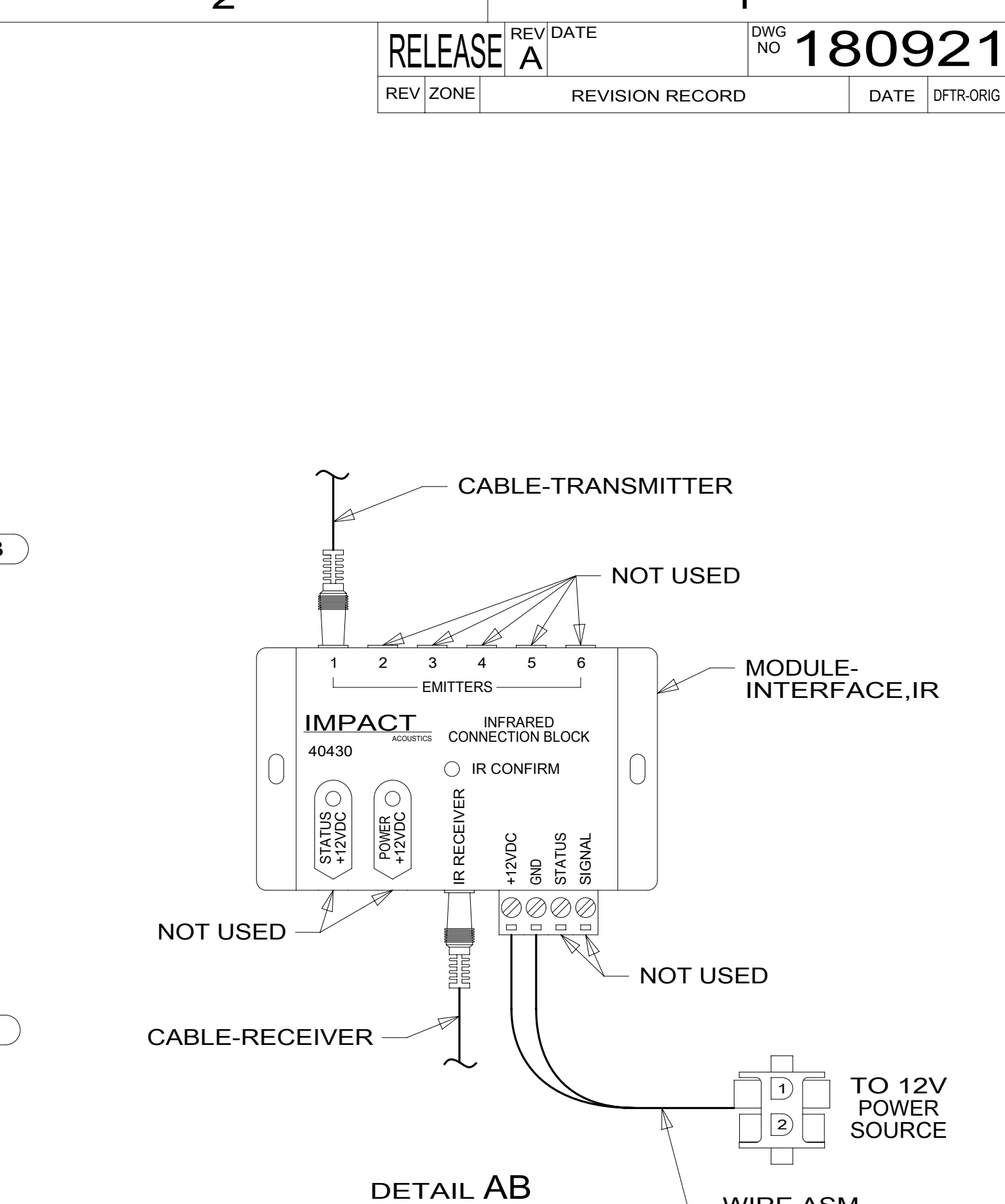
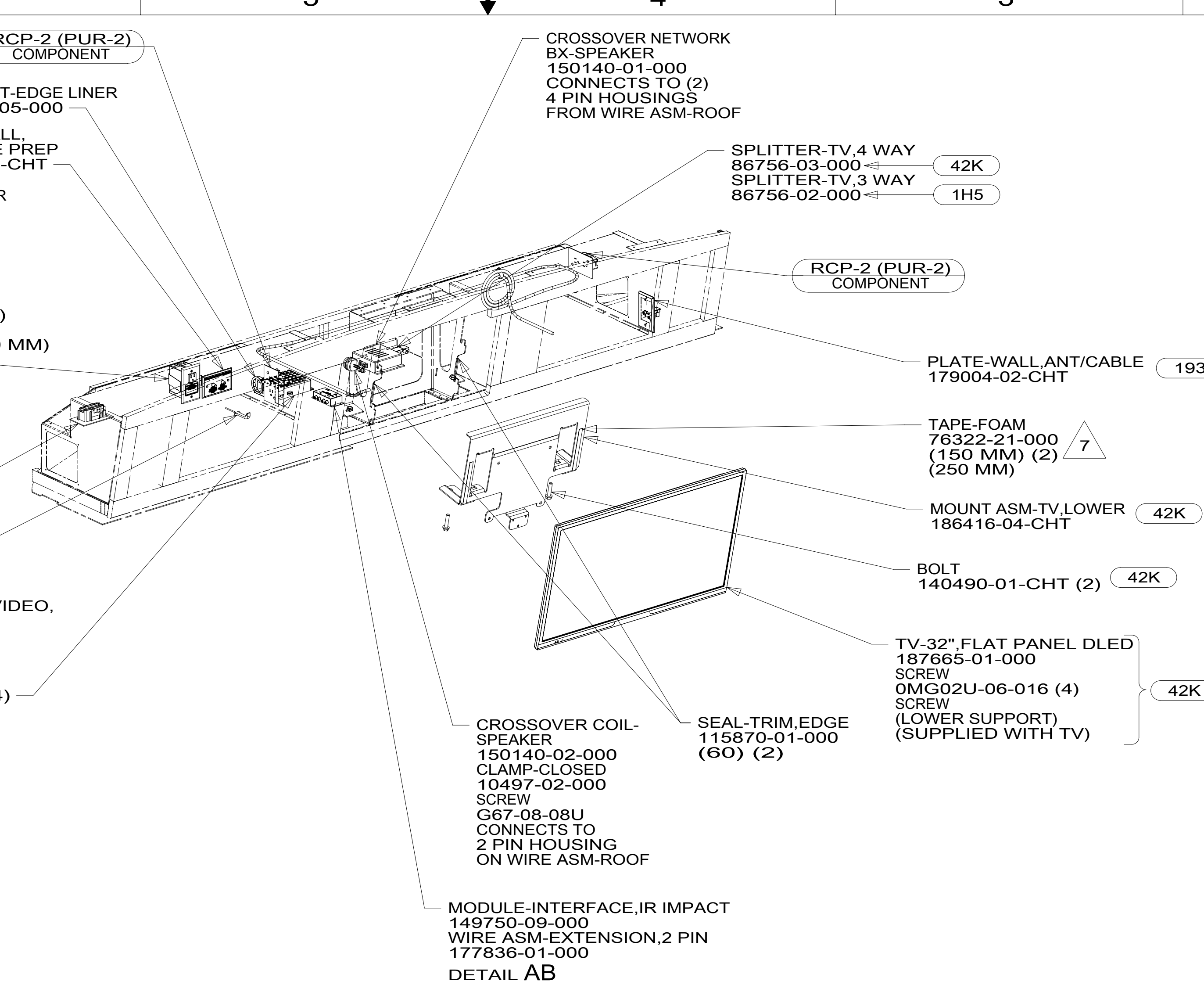
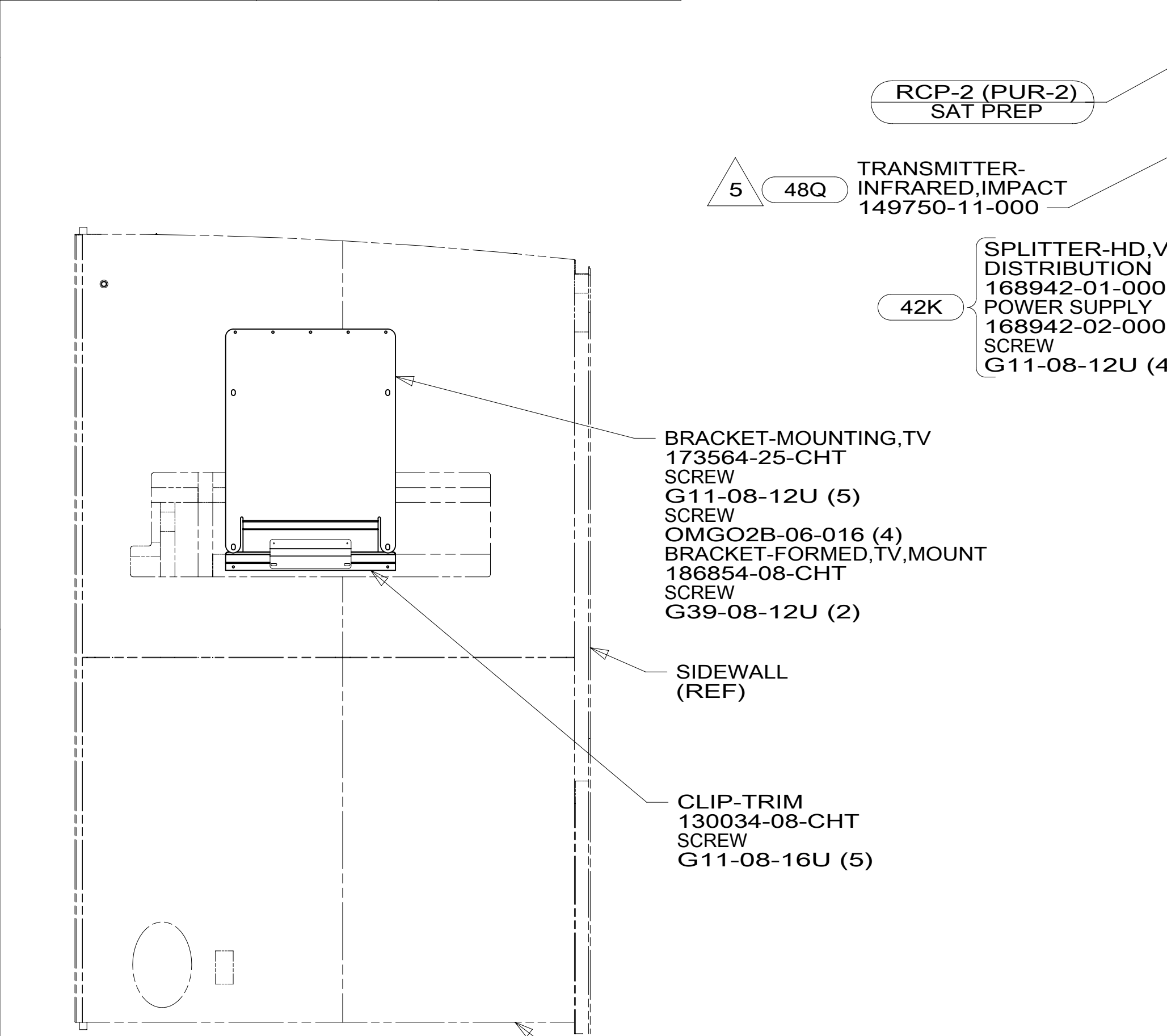
Danger of electrical shock, burns or death. Always remove all power sources before attempting any repair, service or diagnostic work. Power can be present from shore power, generator, inverter or battery. All power sources must be disabled and secured before performing any service.



CAUTION

If you lack the skills, tools or equipment to perform diagnostic or repair work leave such work to an authorized Winnebago Industries dealer or other qualified shop.

DRAWING NO.	UNITS	SHEETS
180921-01	E27N	1,6,7,11
180921-02	E26P	2,8,12
180921-03	E30T	2,3,8,9,13
180921-04	E35B	4,14,18,19
180921-05	E35F	5,10,15
180921-06	E26HE	16,17
180921-07	E31KE	20,21
180921-08	E30T	2,8,13,22,23
180921-09	E36Y	24,25,26



- 19V RADIO-AM/FM STEREO CD PLAYER
- 255 RADIO-AM/FM/CD/DVD PLAYER
- 68K TV-48" COLOR,STEREO W/REMOTE
- 48Q SATELLITE DISH & ELEV.SENSOR
- 42K TV-32" COLOR,STEREO W/REMOTE
- 1H5 TV, FRONT-WITHOUT
- 1D3 ENTERTAIN CENTR/EXT TV-DVD
- 193 TV ANTENNA-AMPLIFIED SYSTEM
- 265 CODES/STANDARDS-CSA/CMVSS
- 1B1 CODES/STANDARDS USA

- 9 USED ON 2014 UNITS.
- 8 USED ON 2013 UNITS.
- 7 PREP SURFACE WITH 87211-01-000.
- 6 SEE 110V LOAD CENTER FOR ADDITIONAL INFORMATION.
- 5 ROUTE 1 TRANSMITTER TO EACH SIDE AND COIL FOR FUTURE USE.
- 4 ROUTE 110V & 12V IN OPPOSITE ENDS OF ELECTRICAL BOX.
3. WHERE WIRES PASS THROUGH HOLES IN STEEL AND NOT OTHERWISE PROTECTED, USE GROMMET 92908-02-000.
2. ALL WIRES TO BE SECURED WITH CLAMP 10495-01-000 OR CLIP 80734-01-000 EVERY 600MM. USE SCREW G67-10-12B UNLESS OTHERWISE SPECIFIED.
1. 110V WIRE TO BE CLAMPED WITH CLAMP 10497-05-000 WITHIN 200MM OF OUTLET BOXES, USE SCREW G67-10-12B.

FOR ELECTRICAL TORQUE SPECIFICATIONS SEE DWG NO. 128783-01-000

X-X FOR ELECTRICAL CALLOUTS SEE DWG NO. 121339-01-000

WINNEBAGO

COPYRIGHT 2014 WINNEBAGO INDUSTRIES, INC.

DTR	ORIG. DATE
CHDR	ALL DIMENSIONS ARE IN MILLIMETERS
P.E.	FIRST USED
M.E.	
DSNR	

UNSPECIFIED TOLERANCES ARE:

WHOLE DIM (X)	MATERIAL:
ONE-PLACE (X.X)	
TWO-PLACE (X.XX)	
ANGLE	
THIRD ANGLE PROJECTION	

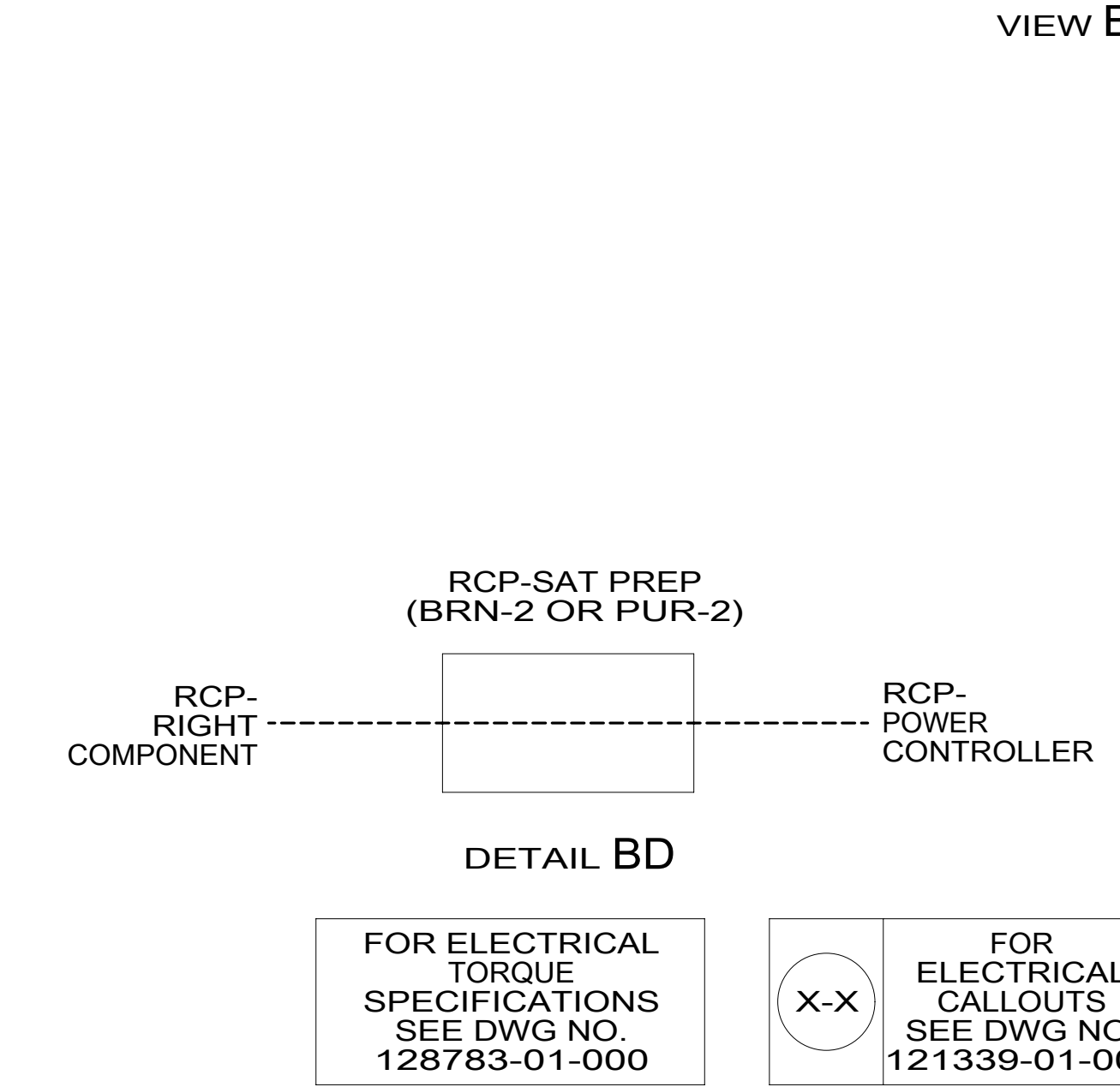
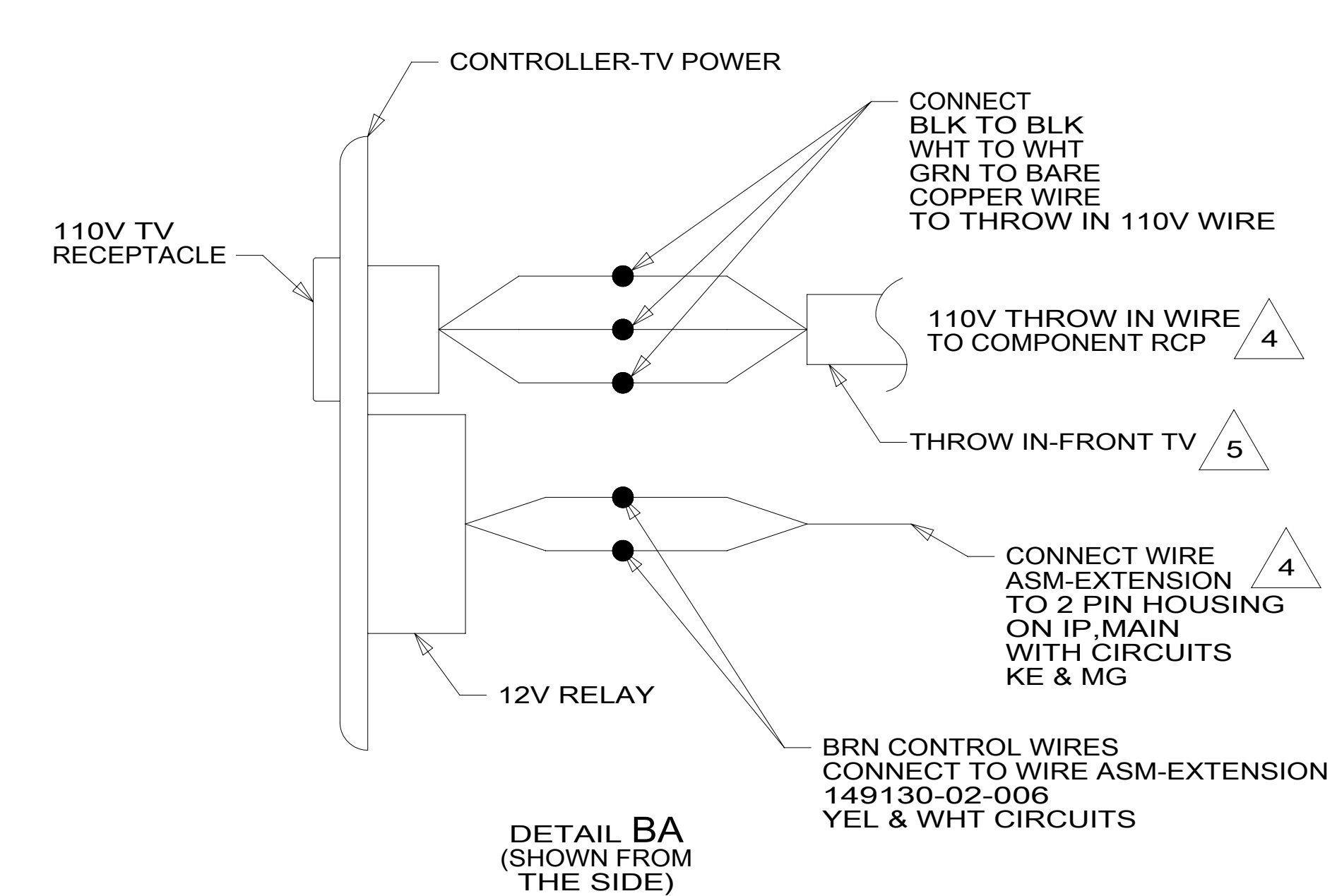
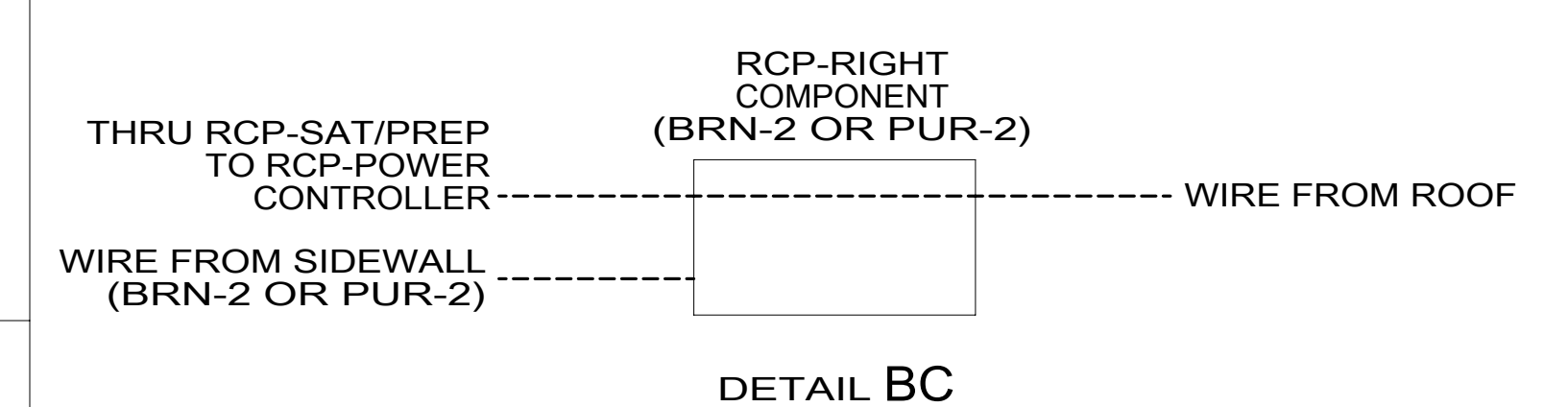
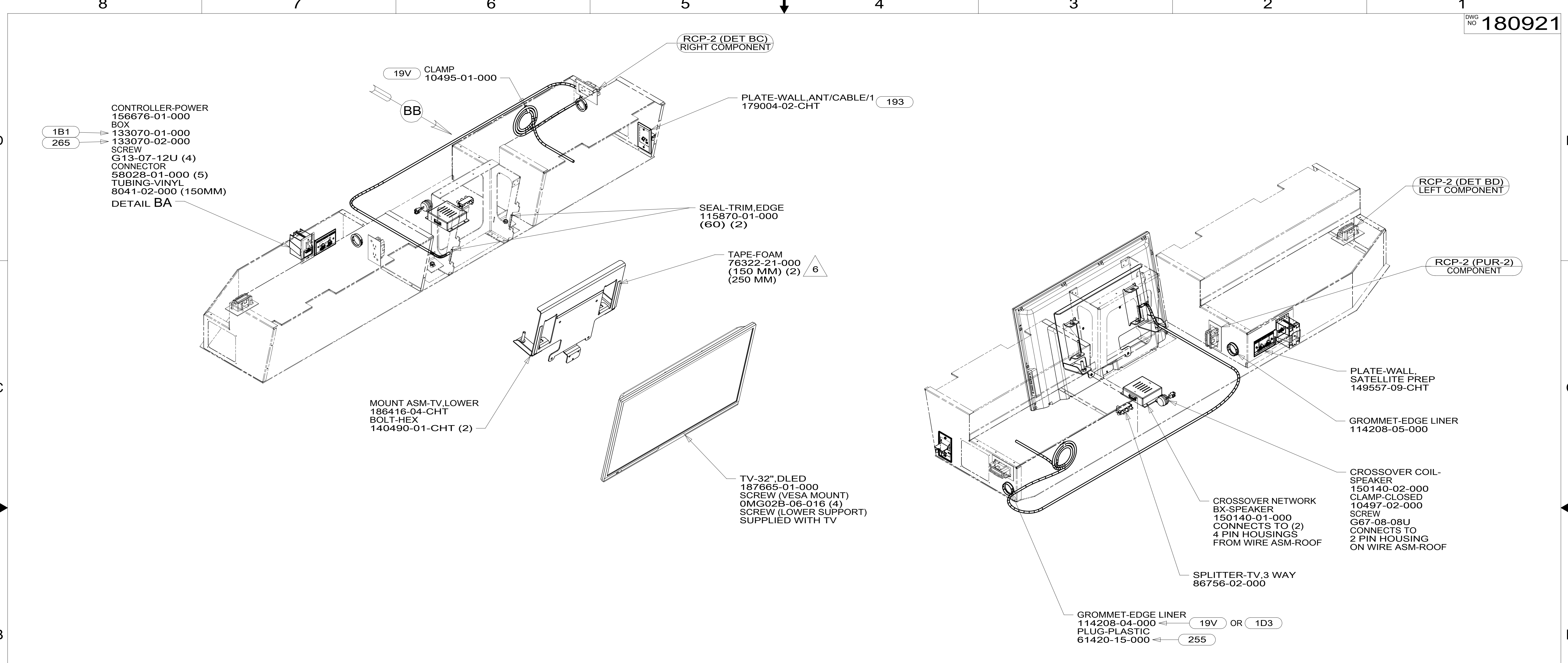
DO NOT SCALE DRAWING REFER TO ES0018 FOR FASTENER TIGHTENING GUIDELINES

TITLE: **WIRING INSTL-TV/DVD**

SHEET 1 OF 26 PART NO. 180921 REV

REF: 1 19-Nov-2014

180921



- NOTES:**
- 6 PREP SURFACE WITH 87211-01-000.
 - 5 SEE 110V LOAD CENTER ASM FOR ADDITIONAL INFORMATION.
 - 4 ROUTE 110V AND 12V WIRES IN OPPOSITE ENDS OF ELECTRICAL BOX.
 - 3. WHERE WIRES PASS THROUGH HOLES IN STEEL AND NOT OTHERWISE PROTECTED, USE GROMMET 92908-02-000.
 - 2. ALL WIRES TO BE SECURED WITH CLAMP 10495-01-000 OR CLIP 80734-01-000 EVERY 600MM. USE SCREW G67-10-12B UNLESS OTHERWISE SPECIFIED.
 - 1. 110V WIRE TO BE CLAMPED WITH CLAMP 10497-05-000 WITHIN 200MM OF OUTLET BOXES, USE SCREW G67-10-12B.

- 1D3 ENTERTAIN CENTR/EXT TV-DVD
- 255 RADIO/AM/FM/CD/DVD PLAYER
- 19V RADIO/AM/FM STEREO CD PLAYER
- 193 TV ANTENNA-AMPLIFIED SYSTEM
- 42K TV-32" COLOR, STEREO W/REMOTE
- 265 CODES/STANDARDS-CSA/CMVSS
- 1B1 CODES/STANDARDS USA

FOR ELECTRICAL TORQUE SPECIFICATIONS SEE DWG NO. 128783-01-000

FOR ELECTRICAL CALLOUTS SEE DWG NO. 121339-01-000

FIRST USED

13 E-SERIES

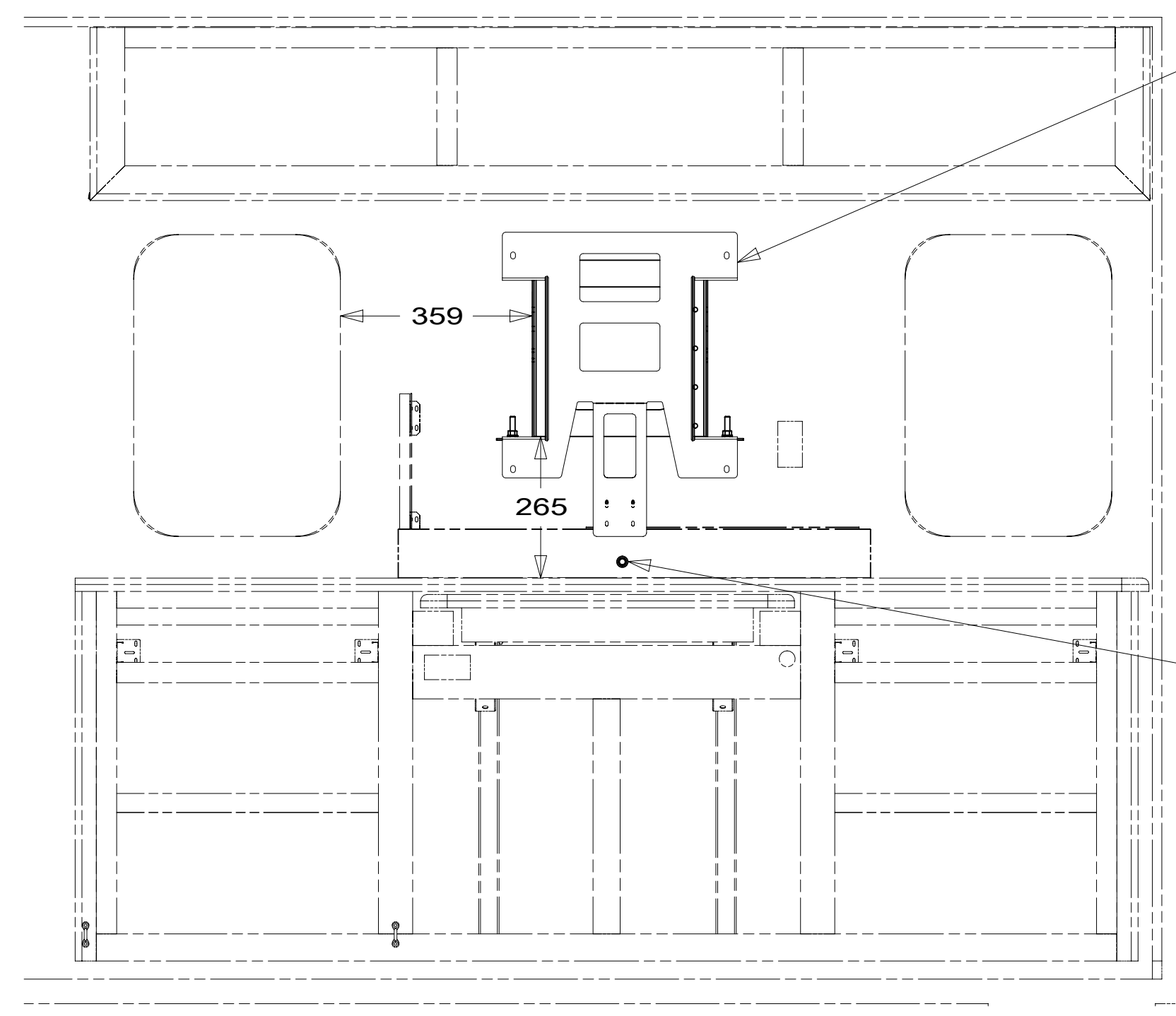
DO NOT SCALE DRAWING

TITLE: **WIRING INSTL-TV/DVD**

SHEET 2 PART NO **180921** REV

19-Nov-2014

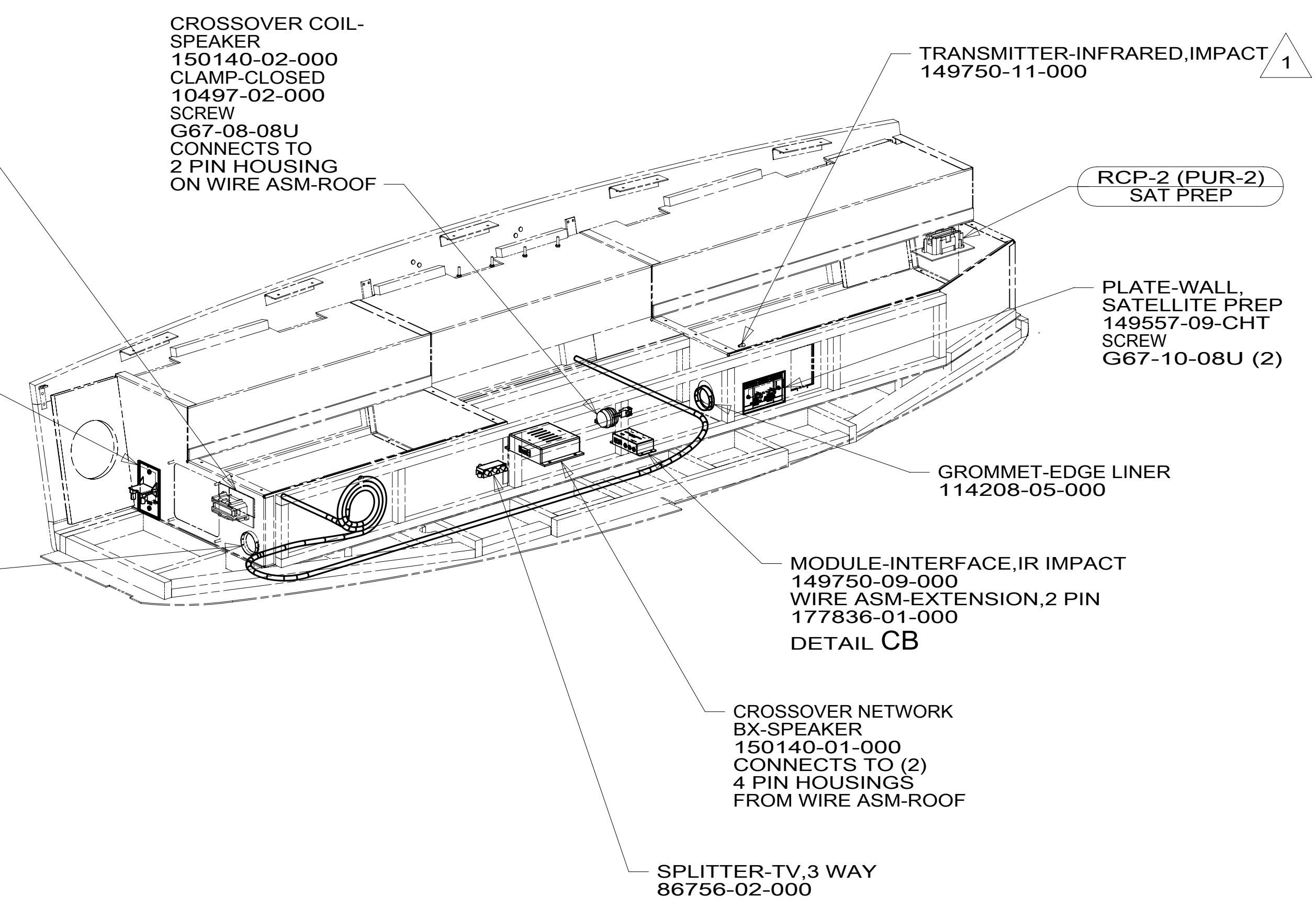
180921



BRACKET-SUPPORT,TV SIDE
173551-03-CHT
SCREW
G39-10-12U (10)
SCREW
OMG02B-06-016 (4)
BOLT
140490-01-CHT (2)
BRACKET ASM-TV
169166-07-CHT
SEAL-FOAM
99069-01-000
(2 PCS 265 MM)
J-CLIP
142913-01-000 (2)

RECEIVER-INFRARED,IMPACT
149750-13-000

VIEW CA



CROSSOVER COIL-
SPEAKER
150140-02-000
CLAMP-CLOSED
10497-02-000
SCREW
G67-08-08U
CONNECTS TO
2 PIN HOUSING
ON WIRE ASM-ROOF

TRANSMITTER-INFRARED,IMPACT
149750-11-000

RCP-2 (PUR-2)
SAT PREP

PLATE-WALL,
SATELLITE PREP
149557-09-CHT
SCREW
G67-10-08U (2)

GROMMET-EDGE LINER
114208-05-000

MODULE-INTERFACE,IR IMPACT
149750-09-000
WIRE ASM-EXTENSION,2 PIN
177836-01-000
DETAIL CB

CROSSOVER NETWORK
BX-SPEAKER
150140-01-000
CONNECTS TO (2)
4 PIN HOUSINGS
FROM WIRE ASM-ROOF

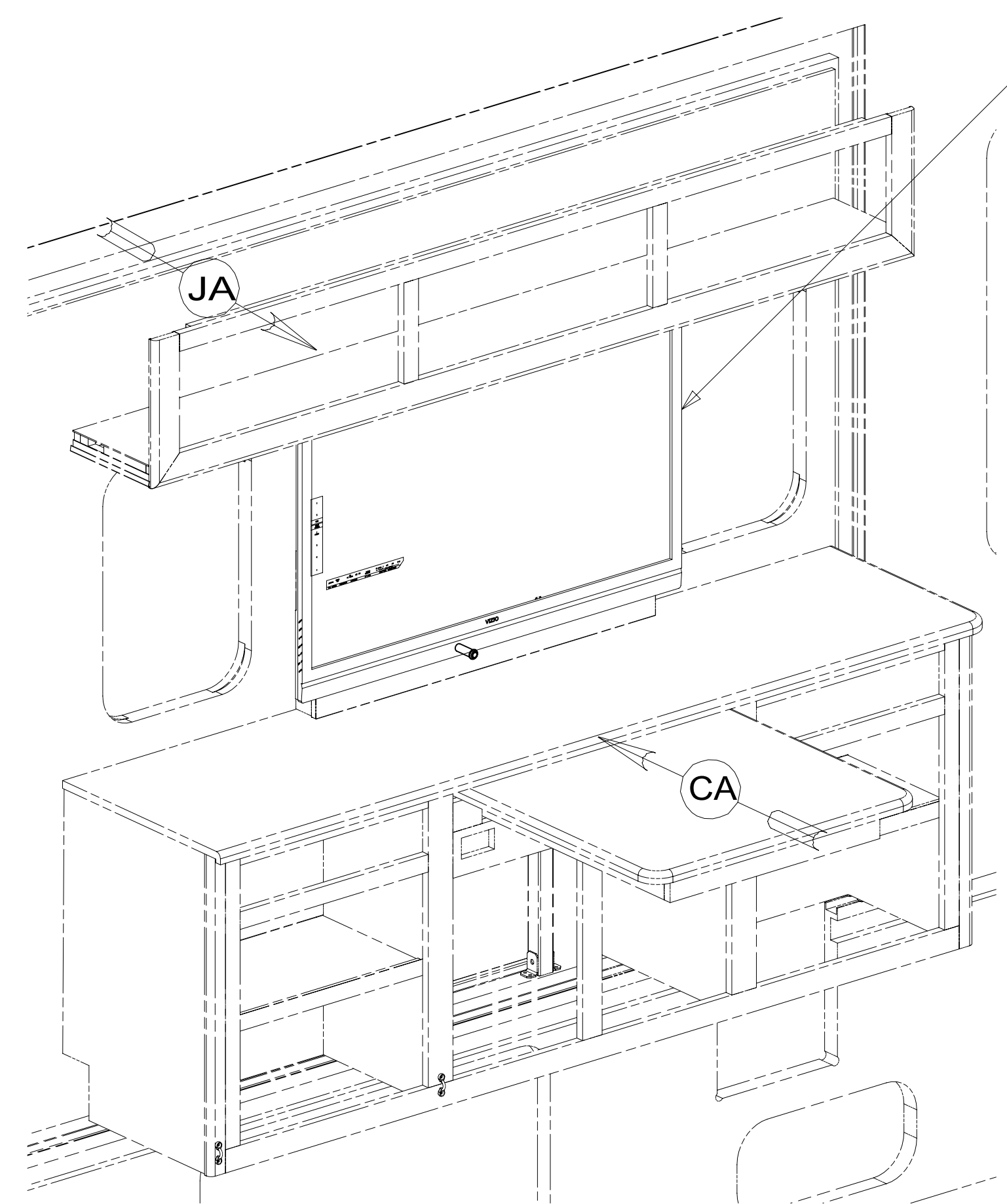
SPLITTER-TV,3 WAY
86756-02-000

RCP-2 (PUR-2)
RIGHT COMPONENT

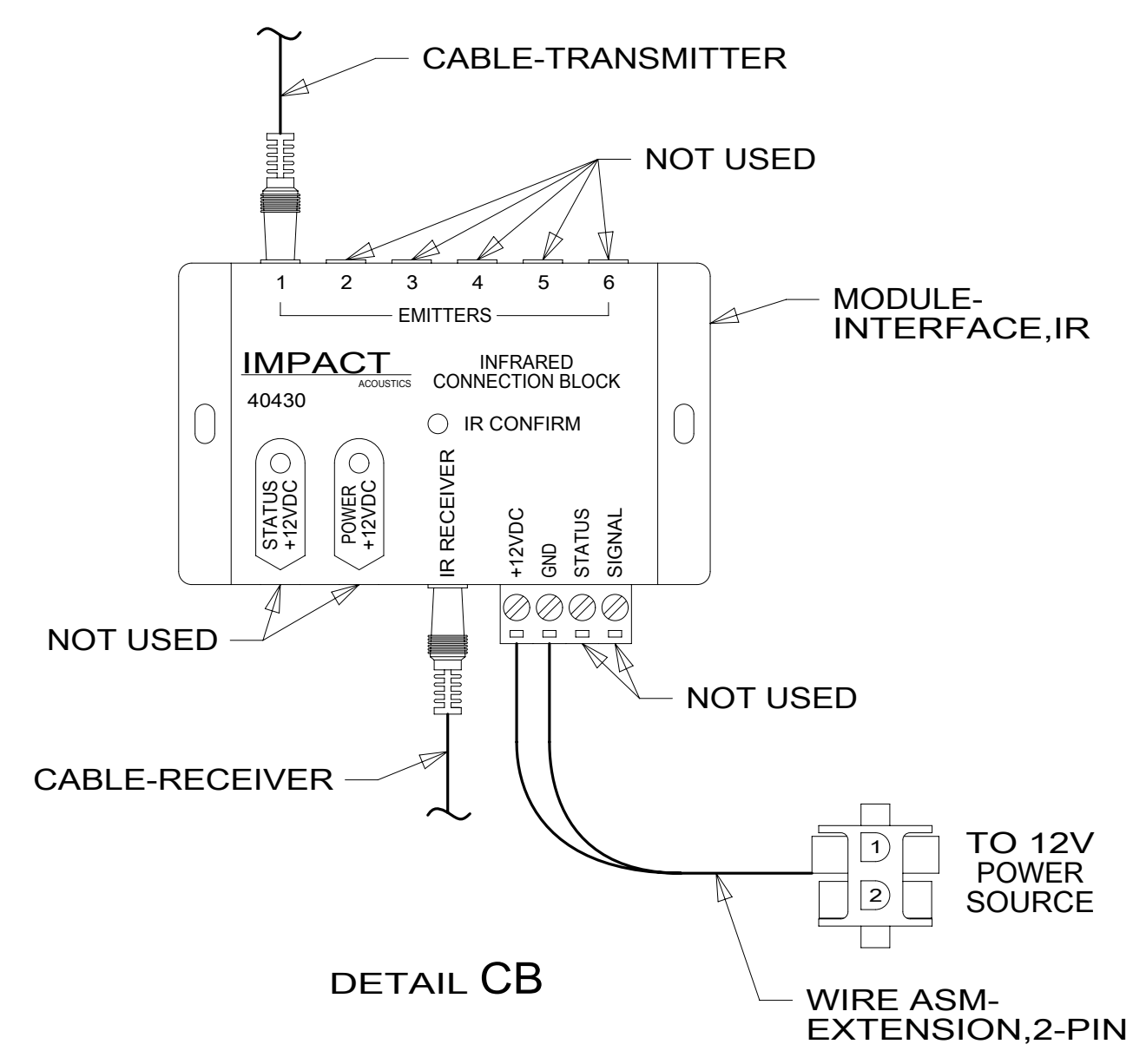
193 PLATE-WALL,ANT/CABLE/1
179004-02-CHT

19V GROMMET-EDGE LINER
114208-04-000
PLUG-PLASTIC

255 61420-15-000



TV-42",FLAT PANEL LCD, HDTV
183215-01-000



DETAIL CB

- 19V RADIO-AM/FM STEREO CD PLAYER
- 255 RADIO/AM/FM/CD/DVD PLAYER
- 193 TV ANTENNA-AMPLIFIED SYSTEM
- 1H5 TV, FRONT-WITHOUT
- 21W DINING/BUFFET/TV
- 265 CODES/STANDARDS-CSA/CMVSS
- 1B1 CODES/STANDARDS USA

1B1 265 21W 1H5

13 E-SERIES

DO NOT SCALE DRAWING

TITLE: **WIRING INSTL-TV/DVD**

SHEET 3 PART NO **180921** REV

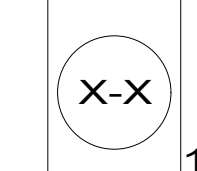
19-Nov-2014

1 ROUTE 1 TRANSMITTER TO EACH SIDE AND COIL FOR FUTURE USE.

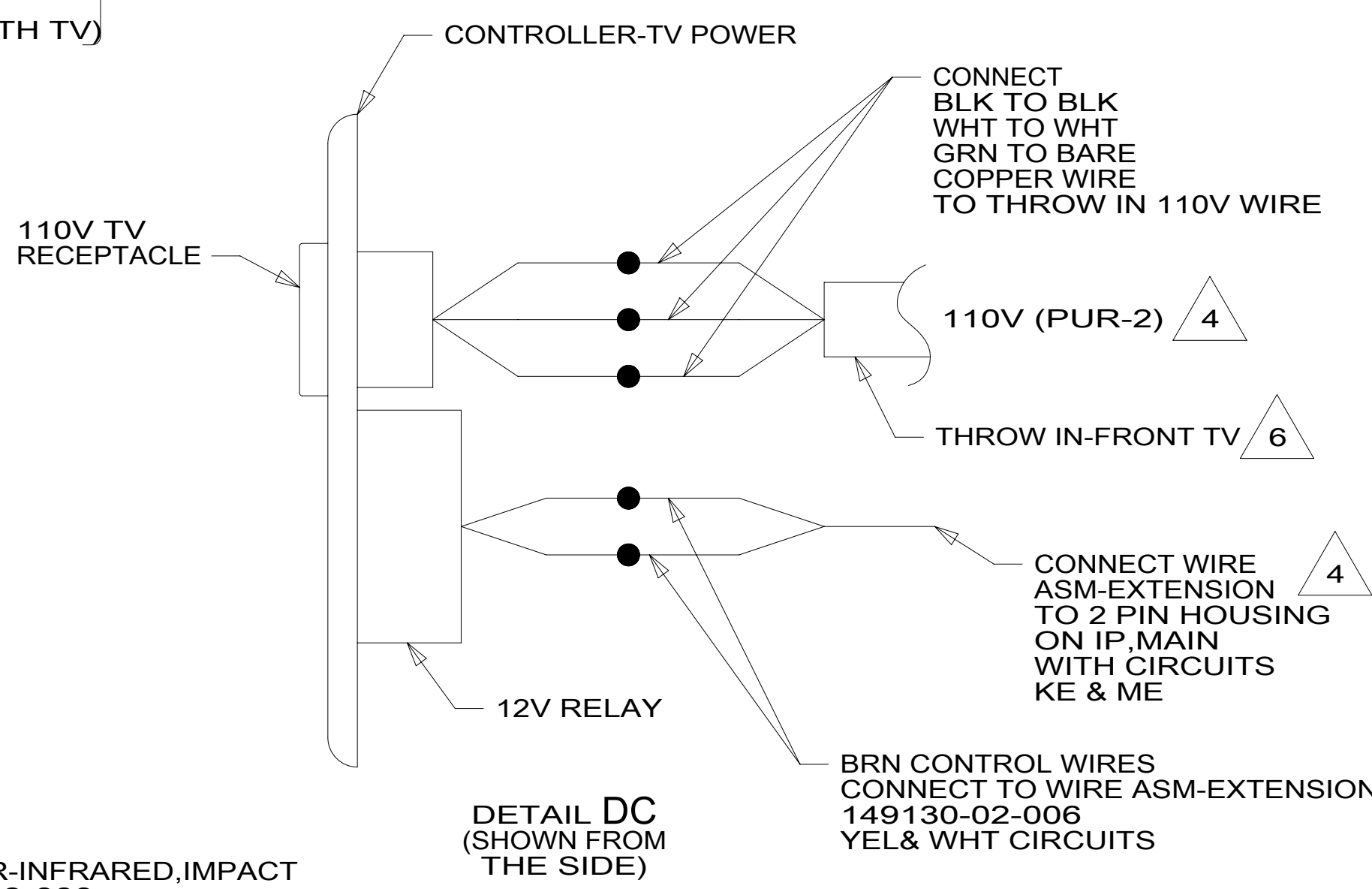
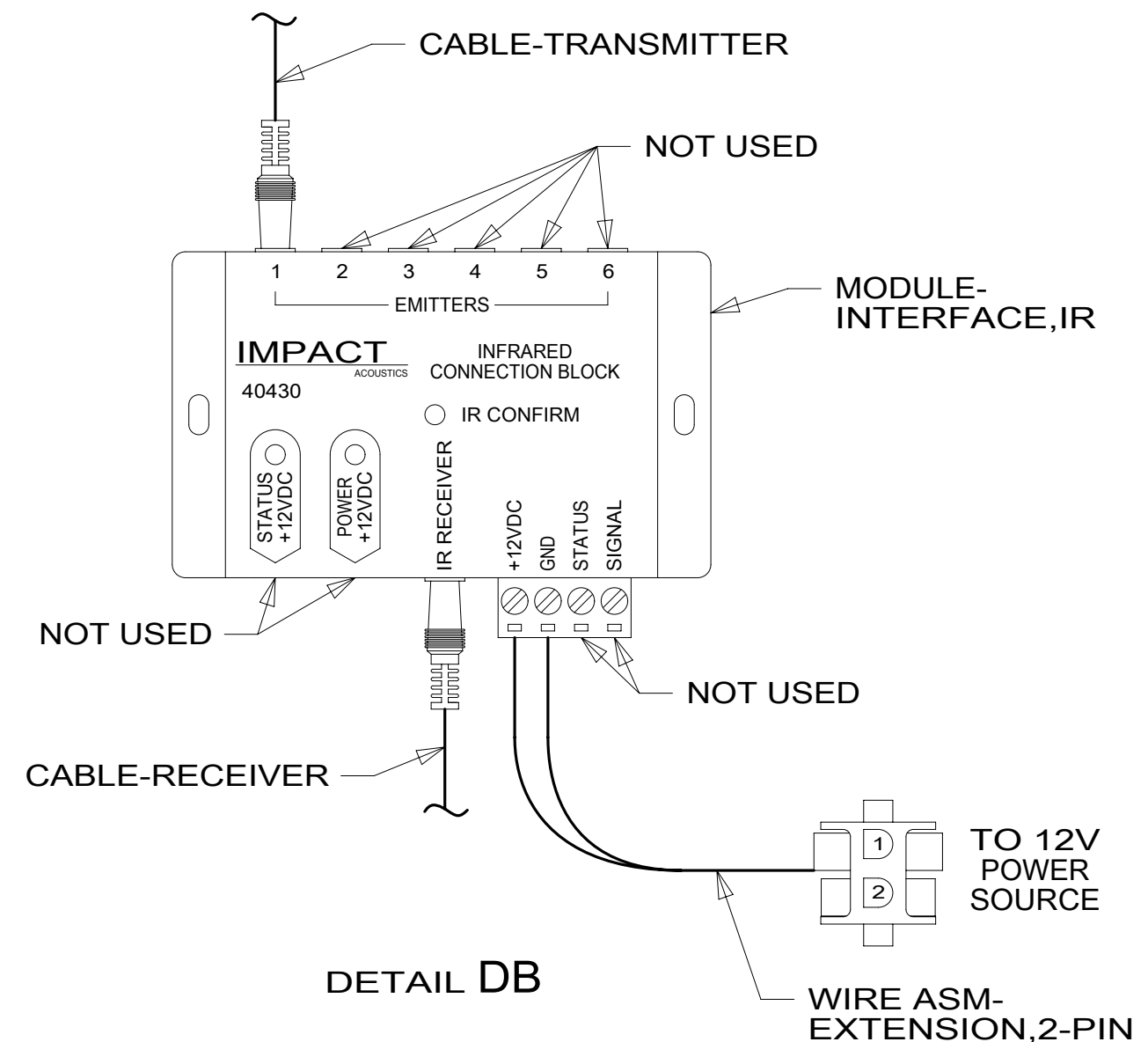
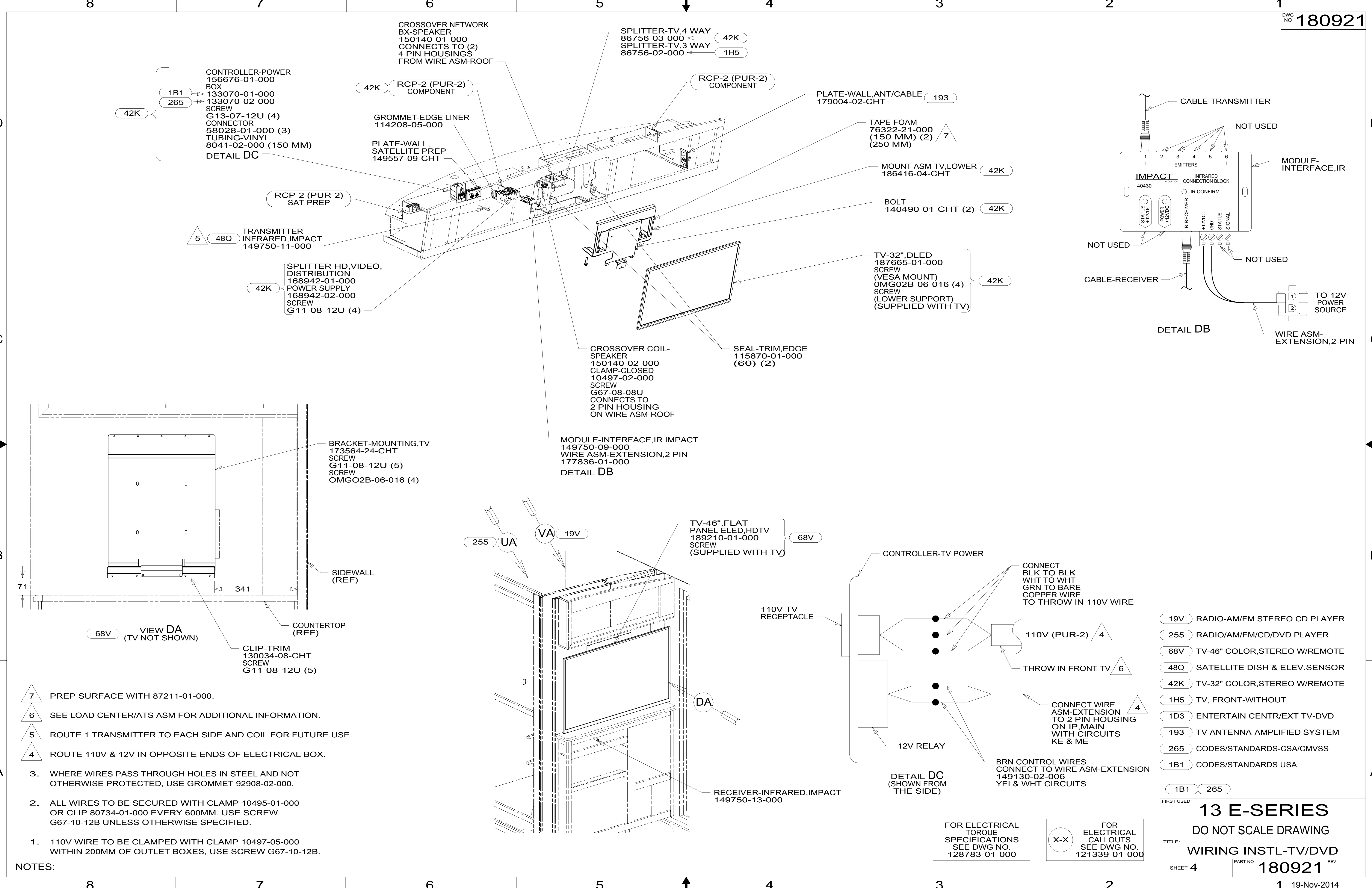
NOTES:

FOR ELECTRICAL
TORQUE
SPECIFICATIONS
SEE DWG NO.
128783-01-000

FOR
ELECTRICAL
CALLOUTS
SEE DWG NO.
121339-01-000



180921 A



- (19V) RADIO-AM/FM STEREO CD PLAYER
- (255) RADIO/AM/FM/CD/DVD PLAYER
- (68V) TV-46" COLOR, STEREO W/REMOTE
- (48Q) SATELLITE DISH & ELEV. SENSOR
- (42K) TV-32" COLOR, STEREO W/REMOTE
- (1H5) TV, FRONT-WITHOUT
- (1D3) ENTERTAIN CENTR/EXT TV-DVD
- (193) TV ANTENNA-AMPLIFIED SYSTEM
- (265) CODES/STANDARDS-CSA/CMVSS
- (1B1) CODES/STANDARDS USA

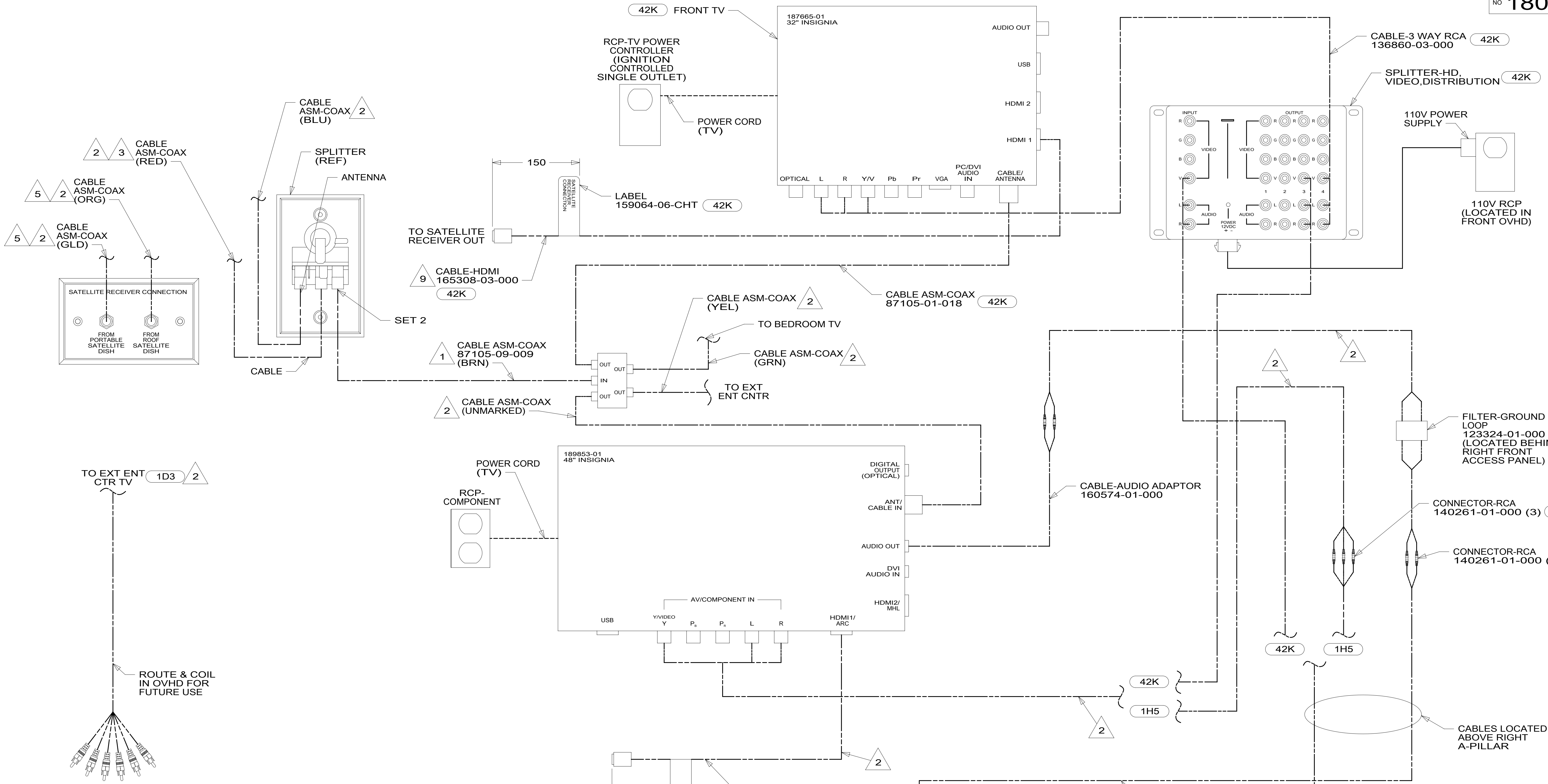
- NOTES:**
- 110V WIRE TO BE CLAMPED WITH CLAMP 10497-05-000 WITHIN 200MM OF OUTLET BOXES, USE SCREW G67-10-12B.
 - ALL WIRES TO BE SECURED WITH CLAMP 10495-01-000 OR CLIP 80734-01-000 EVERY 600MM. USE SCREW G67-10-12B UNLESS OTHERWISE SPECIFIED.
 - WHERE WIRES PASS THROUGH HOLES IN STEEL AND NOT OTHERWISE PROTECTED, USE GROMMET 92908-02-000.
- LEGEND:**
- (7) PREP SURFACE WITH 87211-01-000.
 - (6) SEE LOAD CENTER/ATS ASM FOR ADDITIONAL INFORMATION.
 - (5) ROUTE 1 TRANSMITTER TO EACH SIDE AND COIL FOR FUTURE USE.
 - (4) ROUTE 110V & 12V IN OPPOSITE ENDS OF ELECTRICAL BOX.

FOR ELECTRICAL TORQUE SPECIFICATIONS SEE DWG NO. 128783-01-000

FOR ELECTRICAL CALLOUTS SEE DWG NO. 121339-01-000

FIRST USED	
13 E-SERIES	
DO NOT SCALE DRAWING	
TITLE: WIRING INSTL-TV/DVD	
SHEET 4	PART NO. 180921 REV
19-Nov-2014	

180921



- NOTES:
- 5 CONNECTED TO THE REAR SIDE OF SATELLITE PREP PLATE, CONNECTION LABELED "FROM ROOF SATELLITE DISH".
 - 4 SEE RADIO INSTL FOR ADDITIONAL INFORMATION.
 - 3 CONNECTED TO THE FRONT SIDE OF SATELLITE PREP PLATE, CONNECTION LABELED "TO SATELLITE RECEIVER OUTPUT".
 - 2 CABLE ROUTED IN ROOF.
 - 1 CONNECTED TO THE REAR SIDE OF SATELLITE PREP PLATE, CONNECTION LABELED "TO SATELLITE RECEIVER OUTPUT".

- 9 COIL CABLE IN SATELLITE PREP AREA.
- 8 TAPE UNUSED YELLOW CIRCUIT BACK TO CABLE ASM.
- 7 CONNECT CABLE-RCA TO RADIO 'AUX INPUT' CONNECTION.
- 6 CABLE IS PART OF WIRE ASM-IP,MAIN.

- 42K TV-32" COLOR,STEREO W/REMOTE
- 1H5 TV, FRONT-WITHOUT
- 255 RADIO/AM/FM/CD/DVD PLAYER
- 68K TV-48" COLOR,STEREO W/REMOTE
- 265 CODES/STANDARDS-CSA/CMVSS
- 1B1 CODES/STANDARDS USA

FOR ELECTRICAL TORQUE SPECIFICATIONS SEE DWG NO. 128783-01-000

FOR ELECTRICAL CALLOUTS SEE DWG NO. 121339-01-000

13 E-SERIES

DO NOT SCALE DRAWING

TITLE: **WIRING INSTL-TV/DVD**

SHEET 6 PART NO 180921 REV

DETAIL FA

180921 A

8

7

6

5

4

3

2

1

D

D

C

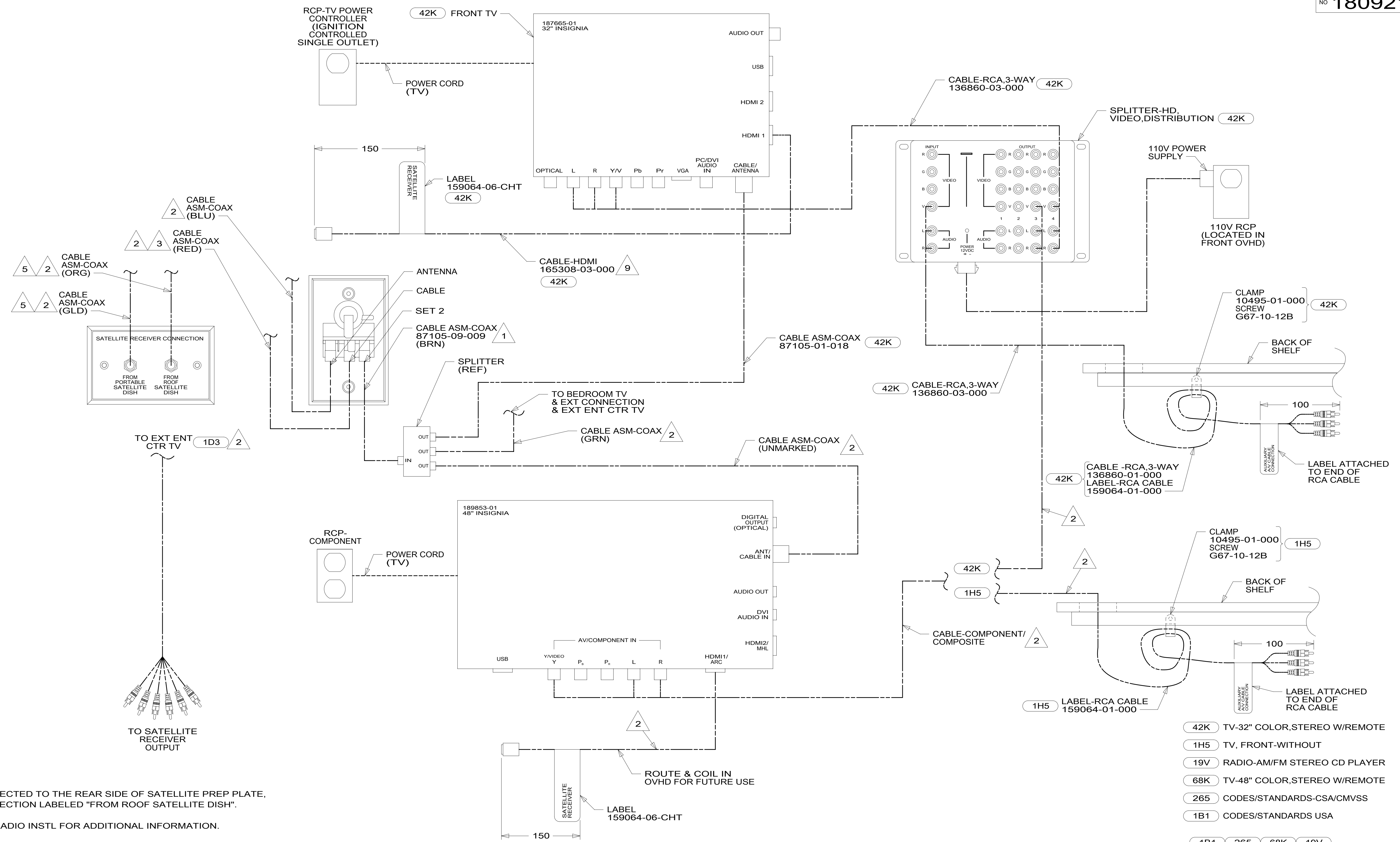
C

B

B

A

A



- 5 CONNECTED TO THE REAR SIDE OF SATELLITE PREP PLATE, CONNECTION LABELED "FROM ROOF SATELLITE DISH".
- 4 SEE RADIO INSTL FOR ADDITIONAL INFORMATION.
- 3 CONNECTED TO THE FRONT SIDE OF SATELLITE PREP PLATE, CONNECTION LABELED "TO SATELLITE RECEIVER OUTPUT".
- 2 CABLE ROUTED IN ROOF.
- 1 CONNECTED TO THE REAR SIDE OF SATELLITE PREP PLATE, CONNECTION LABELED "TO SATELLITE RECEIVER OUTPUT".

- 9 COIL CABLE IN SATELLITE PREP AREA.
- 8 TAPE UNUSED YELLOW CIRCUIT BACK TO CABLE ASM.
- 7 CONNECT CABLE-RCA TO RADIO 'AUX INPUT' CONNECTION.
- 6 CABLE IS PART OF WIRE ASM-IP,MAIN.

- 42K TV-32" COLOR,STEREO W/REMOTE
- 1H5 TV, FRONT-WITHOUT
- 19V RADIO-AM/FM STEREO CD PLAYER
- 68K TV-48" COLOR,STEREO W/REMOTE
- 265 CODES/STANDARDS-CSA/CMVSS
- 1B1 CODES/STANDARDS USA

FIRST USED

13 E-SERIES

DO NOT SCALE DRAWING

TITLE: **WIRING INSTL-TV/DVD**

SHEET 7 PART NO **180921** REV

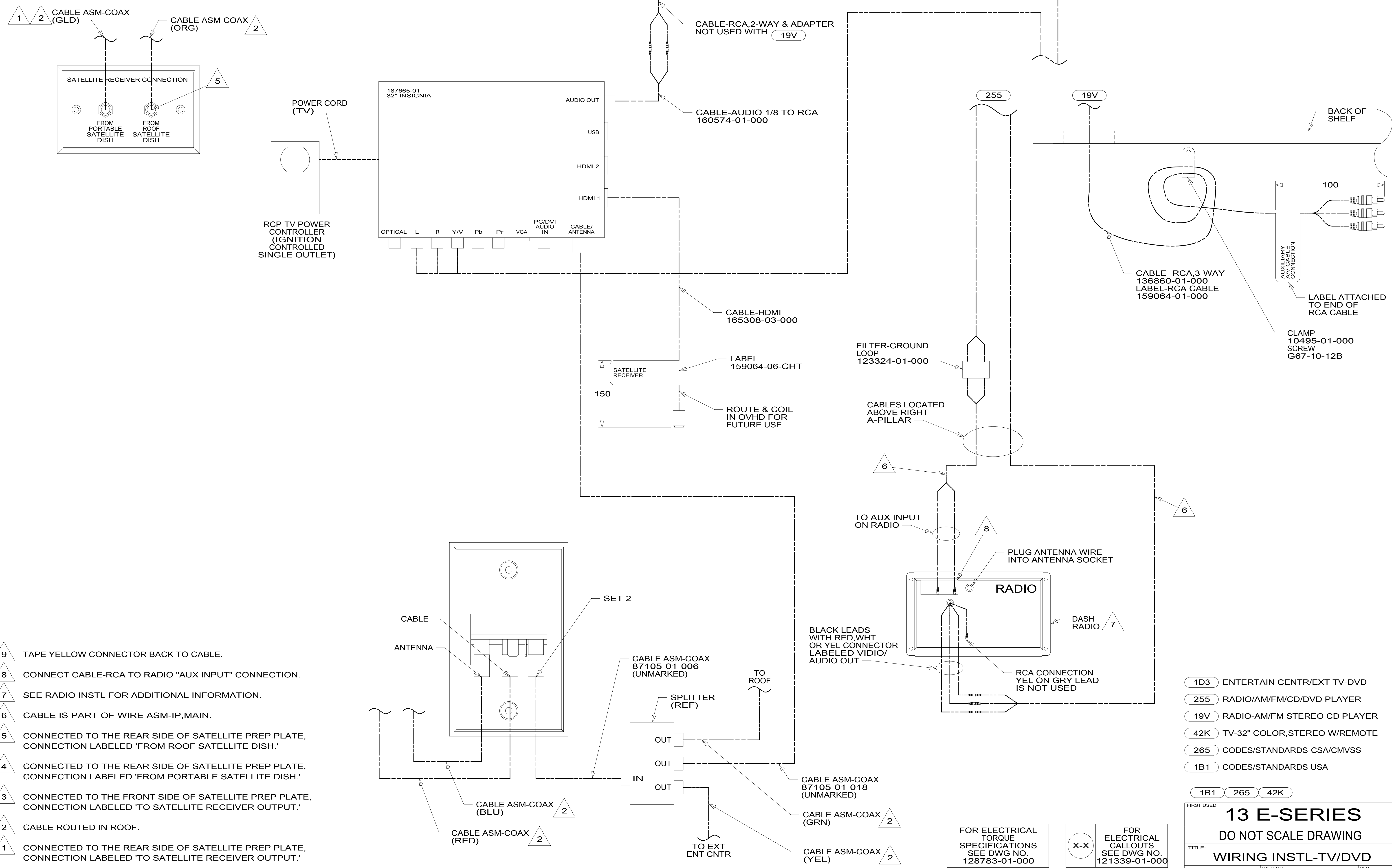
19-Nov-2014

FOR ELECTRICAL TORQUE SPECIFICATIONS SEE DWG NO. 128783-01-000

FOR ELECTRICAL CALLOUTS SEE DWG NO. 121339-01-000

DETAIL GA

*180921



- NOTES:
- 9 TAPE YELLOW CONNECTOR BACK TO CABLE.
 - 8 CONNECT CABLE-RCA TO RADIO "AUX INPUT" CONNECTION.
 - 7 SEE RADIO INSTL FOR ADDITIONAL INFORMATION.
 - 6 CABLE IS PART OF WIRE ASM-IP,MAIN.
 - 5 CONNECTED TO THE REAR SIDE OF SATELLITE PREP PLATE, CONNECTION LABELED 'FROM ROOF SATELLITE DISH.'
 - 4 CONNECTED TO THE REAR SIDE OF SATELLITE PREP PLATE, CONNECTION LABELED 'FROM PORTABLE SATELLITE DISH.'
 - 3 CONNECTED TO THE FRONT SIDE OF SATELLITE PREP PLATE, CONNECTION LABELED 'TO SATELLITE RECEIVER OUTPUT.'
 - 2 CABLE ROUTED IN ROOF.
 - 1 CONNECTED TO THE REAR SIDE OF SATELLITE PREP PLATE, CONNECTION LABELED 'TO SATELLITE RECEIVER OUTPUT.'

- 1D3 ENTERTAIN CNTR/EXT TV-DVD
- 255 RADIO/AM/FM/CD/DVD PLAYER
- 19V RADIO-AM/FM STEREO CD PLAYER
- 42K TV-32" COLOR,STEREO W/REMOTE
- 265 CODES/STANDARDS-CSA/CMVSS
- 1B1 CODES/STANDARDS USA

FOR ELECTRICAL TORQUE SPECIFICATIONS SEE DWG NO. 128783-01-000

FOR ELECTRICAL CALLOUTS SEE DWG NO. 121339-01-000

FIRST USED

13 E-SERIES

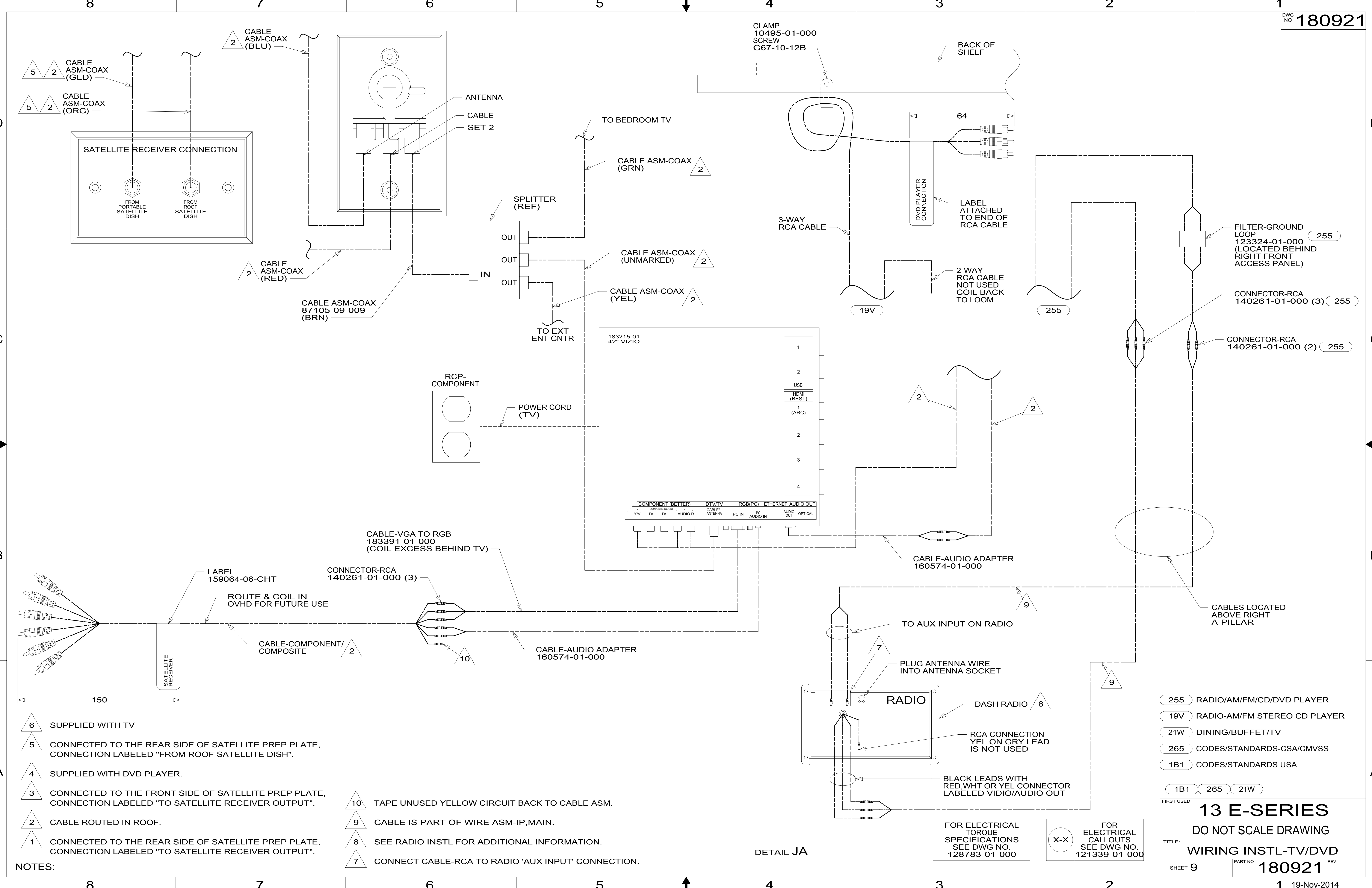
DO NOT SCALE DRAWING

TITLE: WIRING INSTL-TV/DVD

SHEET 8 PART NO 180921 REV

19-Nov-2014

180921



- NOTES:**
- 6 SUPPLIED WITH TV
 - 5 CONNECTED TO THE REAR SIDE OF SATELLITE PREP PLATE, CONNECTION LABELED "FROM ROOF SATELLITE DISH".
 - 4 SUPPLIED WITH DVD PLAYER.
 - 3 CONNECTED TO THE FRONT SIDE OF SATELLITE PREP PLATE, CONNECTION LABELED "TO SATELLITE RECEIVER OUTPUT".
 - 2 CABLE ROUTED IN ROOF.
 - 1 CONNECTED TO THE REAR SIDE OF SATELLITE PREP PLATE, CONNECTION LABELED "TO SATELLITE RECEIVER OUTPUT".

- 10 TAPE UNUSED YELLOW CIRCUIT BACK TO CABLE ASM.
- 9 CABLE IS PART OF WIRE ASM-IP,MAIN.
- 8 SEE RADIO INSTL FOR ADDITIONAL INFORMATION.
- 7 CONNECT CABLE-RCA TO RADIO 'AUX INPUT' CONNECTION.

- 255 RADIO/AM/FM/CD/DVD PLAYER
- 19V RADIO-AM/FM STEREO CD PLAYER
- 21W DINING/BUFFET/TV
- 265 CODES/STANDARDS-CSA/CMVSS
- 1B1 CODES/STANDARDS USA

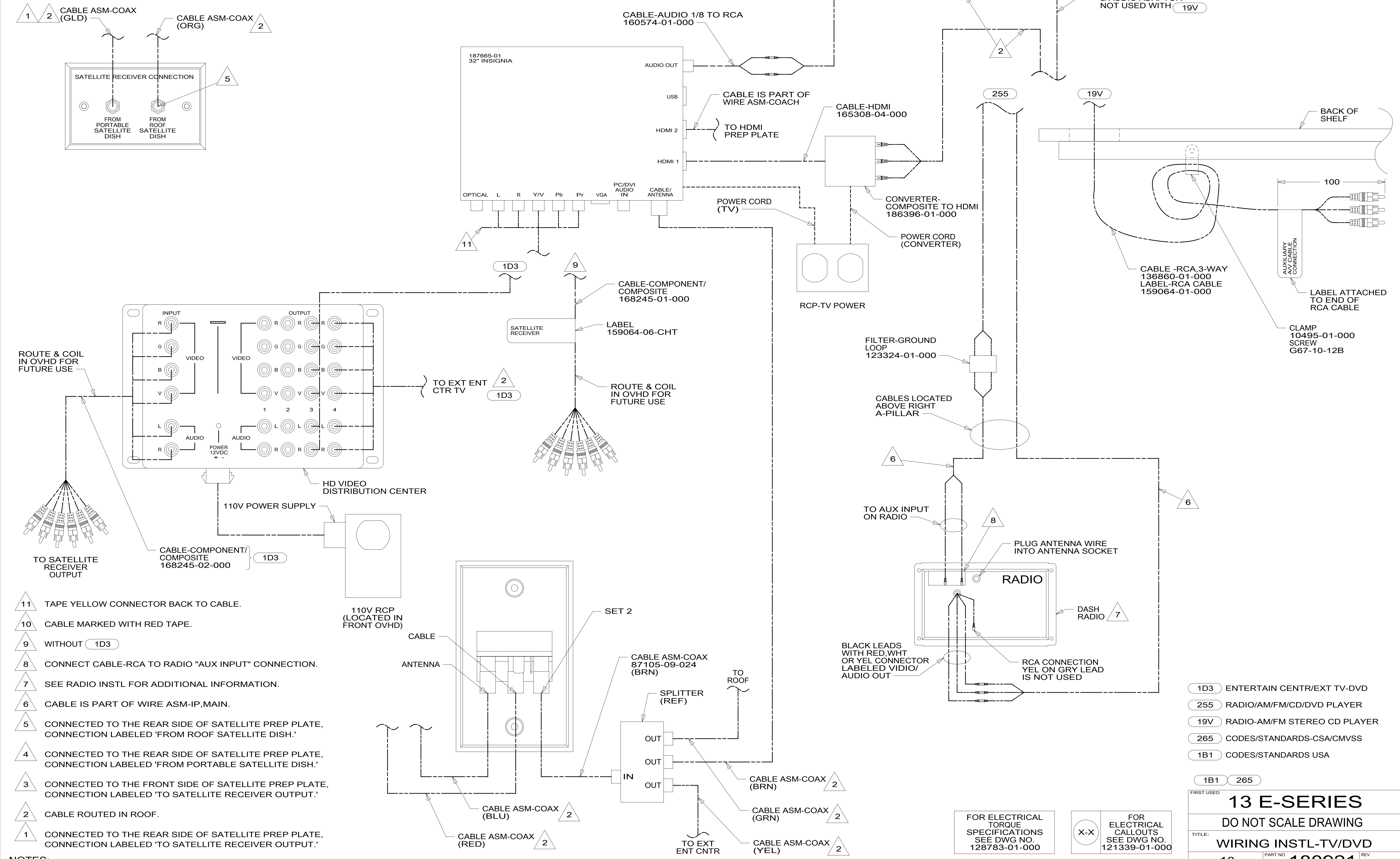
FIRST USED	
13 E-SERIES	
DO NOT SCALE DRAWING	
TITLE: WIRING INSTL-TV/DVD	
SHEET 9	PART NO 180921 REV
19-Nov-2014	

FOR ELECTRICAL TORQUE SPECIFICATIONS SEE DWG NO. 128783-01-000

FOR ELECTRICAL CALLOUTS SEE DWG NO. 121339-01-000

DETAIL JA

180921 A



- NOTES:
- 11 TAPE YELLOW CONNECTOR BACK TO CABLE.
 - 10 CABLE MARKED WITH RED TAPE.
 - 9 WITHOUT 1D3
 - 8 CONNECT CABLE-RCA TO RADIO "AUX INPUT" CONNECTION.
 - 7 SEE RADIO INSTL FOR ADDITIONAL INFORMATION.
 - 6 CABLE IS PART OF WIRE ASM-IP,MAIN.
 - 5 CONNECTED TO THE REAR SIDE OF SATELLITE PREP PLATE, CONNECTION LABELED 'FROM ROOF SATELLITE DISH.'
 - 4 CONNECTED TO THE REAR SIDE OF SATELLITE PREP PLATE, CONNECTION LABELED 'FROM PORTABLE SATELLITE DISH.'
 - 3 CONNECTED TO THE FRONT SIDE OF SATELLITE PREP PLATE, CONNECTION LABELED 'TO SATELLITE RECEIVER OUTPUT.'
 - 2 CABLE ROUTED IN ROOF.
 - 1 CONNECTED TO THE REAR SIDE OF SATELLITE PREP PLATE, CONNECTION LABELED 'TO SATELLITE RECEIVER OUTPUT.'

- 1D3 ENTERTAIN CENTR/EXT TV-DVD
- 255 RADIO/AM/FM/CD/DVD PLAYER
- 19V RADIO-AM/FM STEREO CD PLAYER
- 265 CODES/STANDARDS-CSA/CMVSS
- 1B1 CODES/STANDARDS USA

FOR ELECTRICAL TORQUE SPECIFICATIONS SEE DWG NO. 128783-01-000

FOR ELECTRICAL CALLOUTS SEE DWG NO. 121339-01-000

FIRST USED

13 E-SERIES

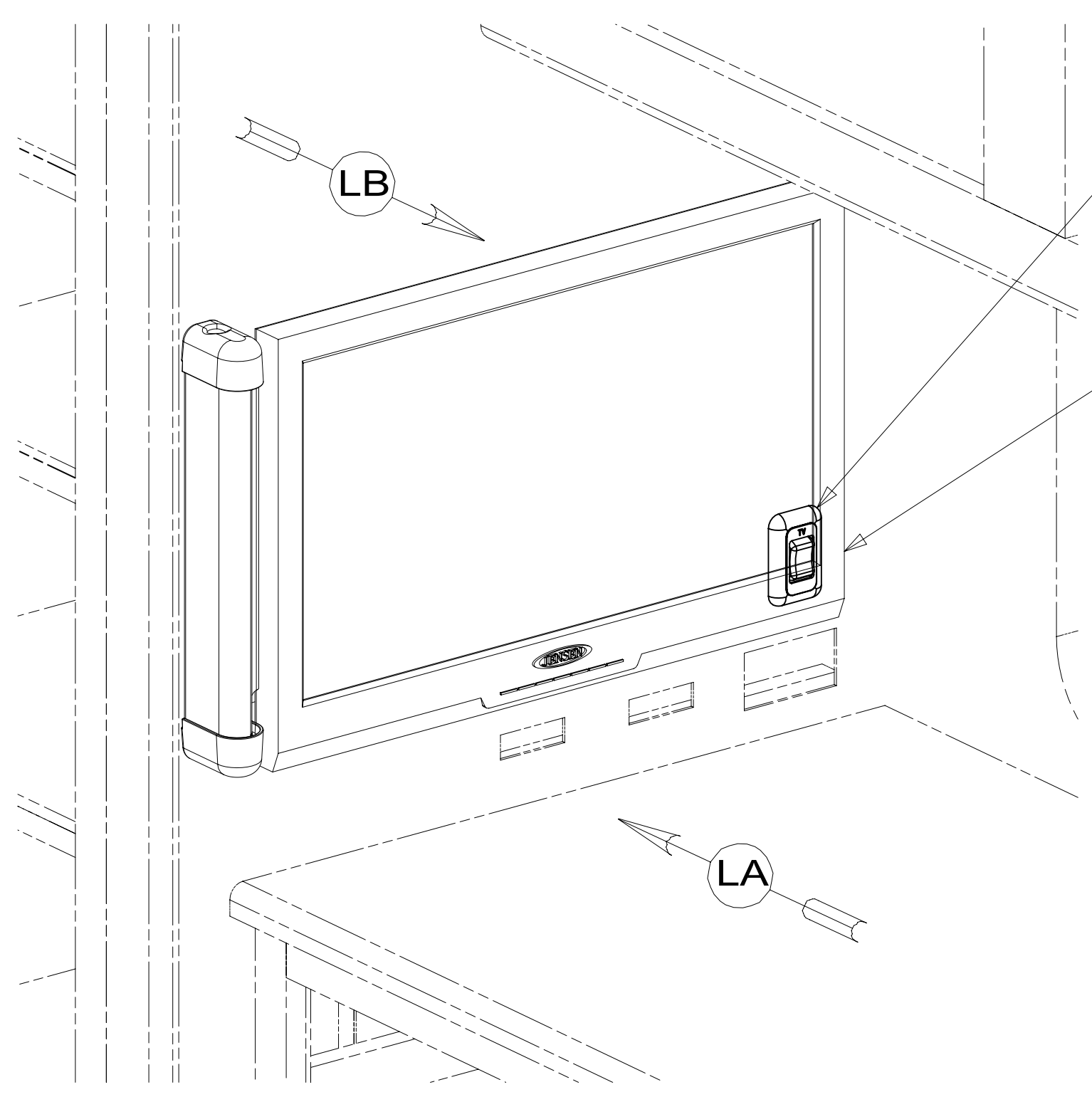
DO NOT SCALE DRAWING

TITLE: **WIRING INSTL-TV/DVD**

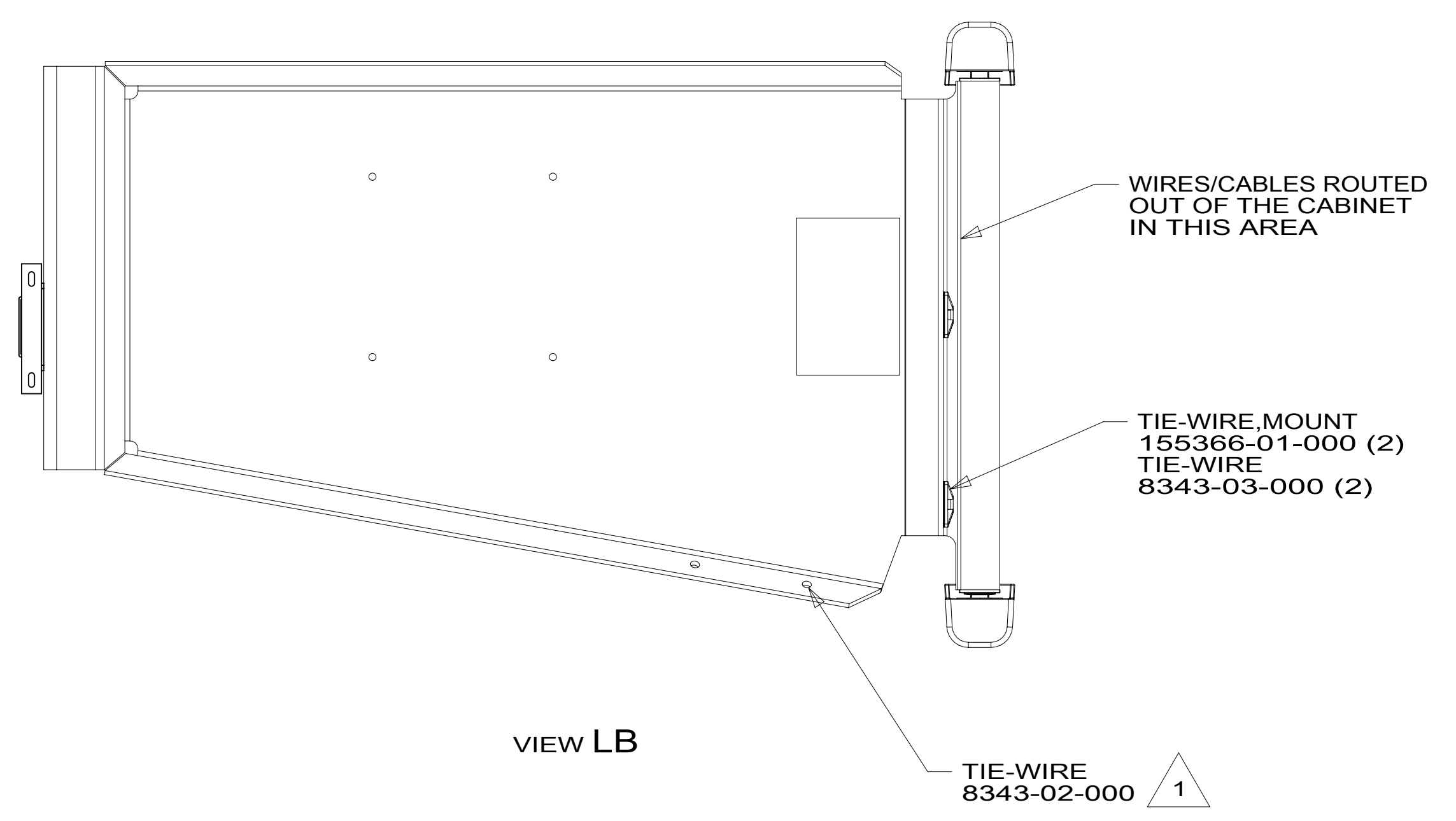
SHEET 10 PART NO **180921** REV

19-Nov-2014

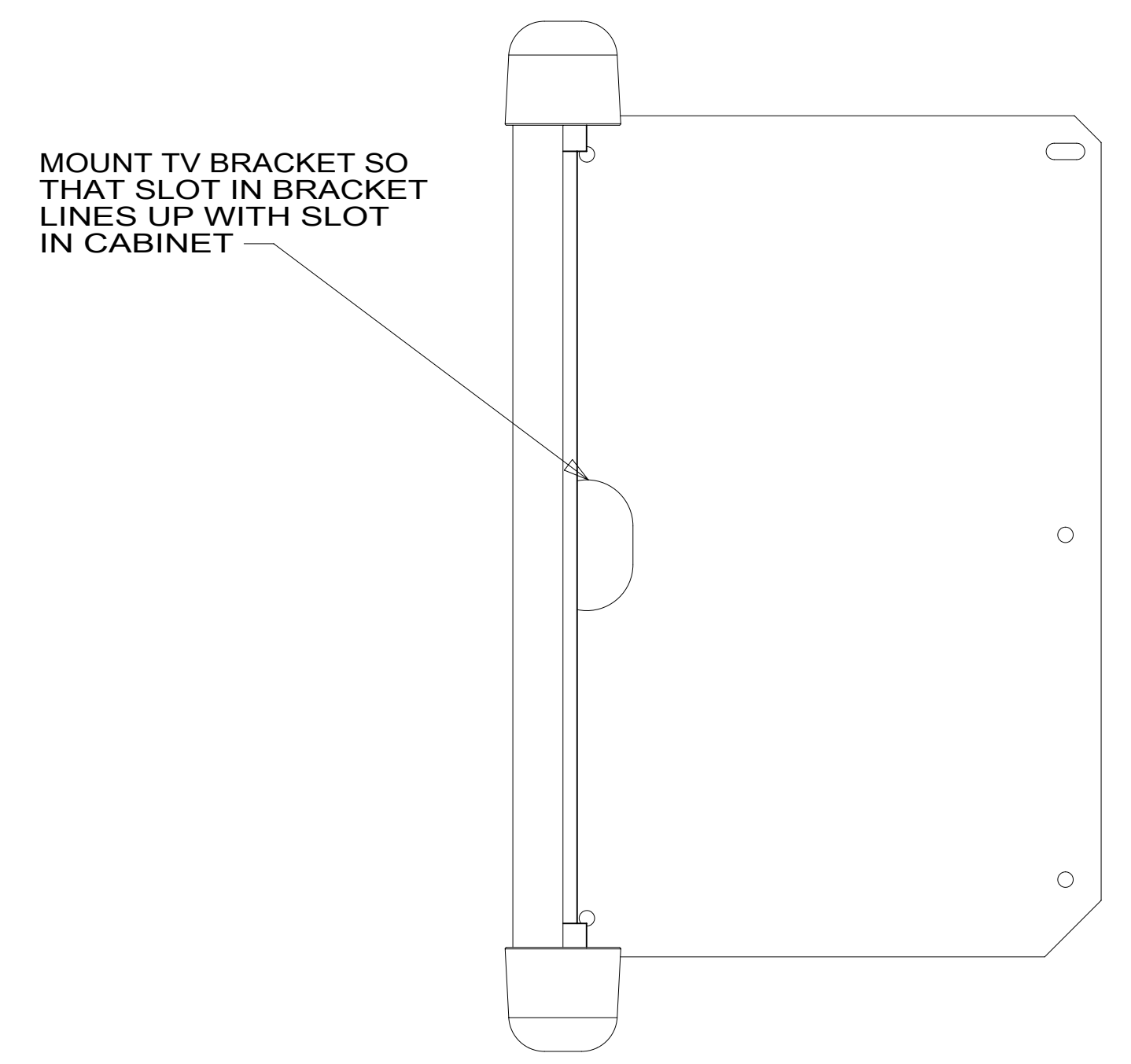
180921 A



- SWITCH-ROCKER
135740-01-CHT
- SWITCH-BASE
135741-01-CHT
- SWITCH-BEZEL
135742-45-CHT
- SCREW
G11-08-08U(2)
- TV-22",STEREO LCD 12V
180602-02-000
- BRACKET ASM-MOUNT,TV
180760-01-XXX
- SCREW
G39-10-16U (5)
- WIRE ASM-TV EXTENSION
165275-01-000
- DC POWER ADAPTOR
170909-02-000



VIEW LB



VIEW LA

1 USE HOLES IN BRACKET ASM-MOUNT,TV TO ATTACH WIRE ASM TO BRACKET ASM-MOUNT,TV WITH WIRE TIES.

NOTES:

FOR ELECTRICAL TORQUE SPECIFICATIONS SEE DWG NO. 128783-01-000

FOR ELECTRICAL CALLOUTS SEE DWG NO. 121339-01-000

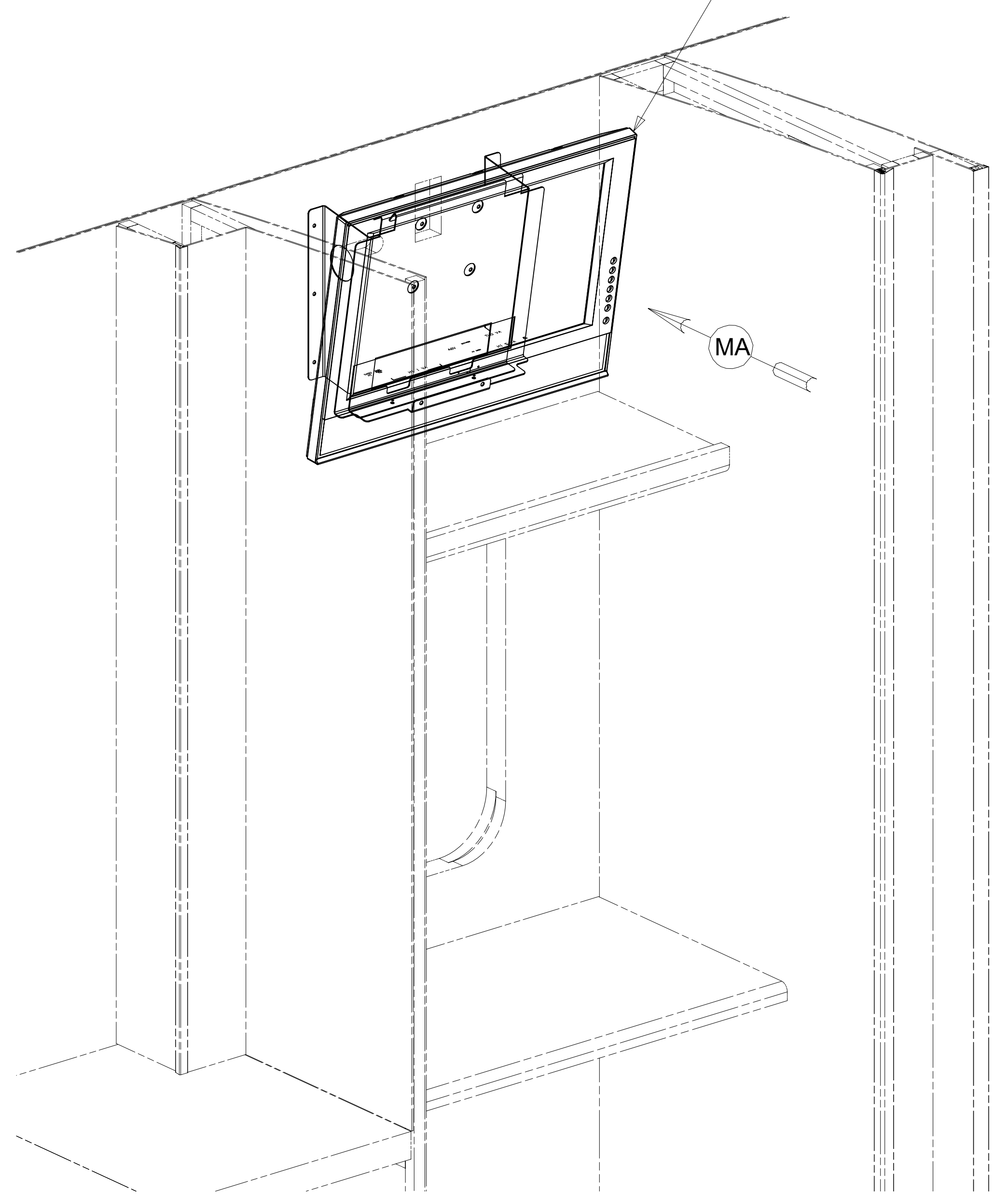
- 68B TV (REAR)DC 22" LCD W/REMOTE
- 265 CODES/STANDARDS-CSA/CMVSS
- 1B1 CODES/STANDARDS USA

1B1 265 68B

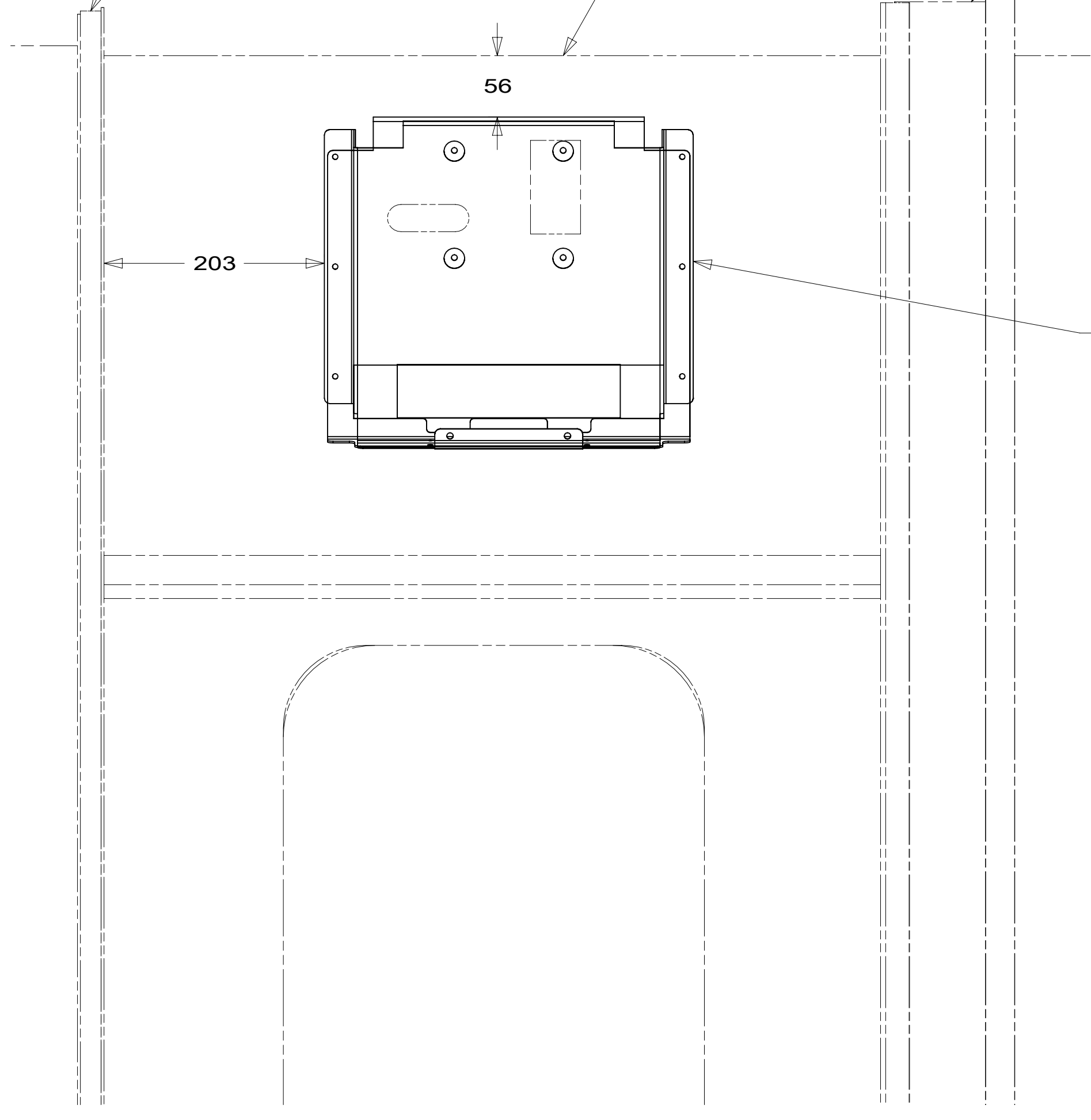
FIRST USED	
13 E-SERIES	
DO NOT SCALE DRAWING	
TITLE: WIRING INSTL-TV/DVD	
SHEET 11	PART NO 180921 REV

180921

TV-19", STEREO LCD 12V
170909-05-000
PLATE-MOUNTING, TV
162935-08-CHT



CABINET ASM-WARDROBE (REF)
SIDEWALL ASM-LEFT (REF)
CABINET ASM-SHOWER (REF)



SUPPORT-MOUNTING, TV
162934-08-CHT
GROMMET
114208-05-000

VIEW MA
(TV NOT SHOWN)

- 1JU TV (REAR)-19"COLOR, STEREO
- 265 CODES/STANDARDS-CSA/CMVSS
- 1B1 CODES/STANDARDS USA

1B1 265 1JU

FIRST USED
13 E-SERIES

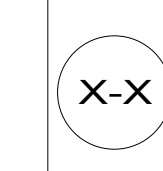
DO NOT SCALE DRAWING

TITLE:
WIRING INSTL-TV/DVD

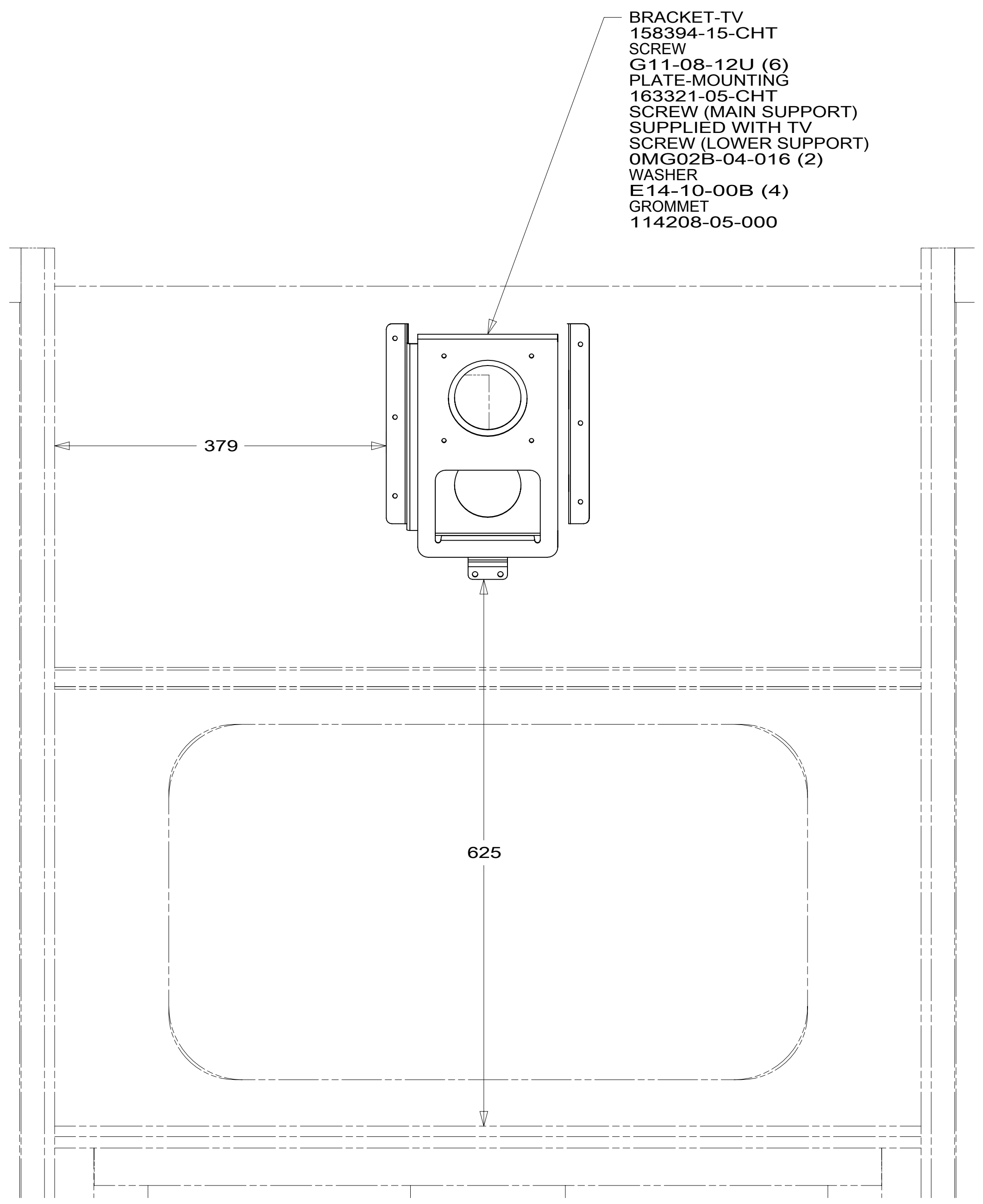
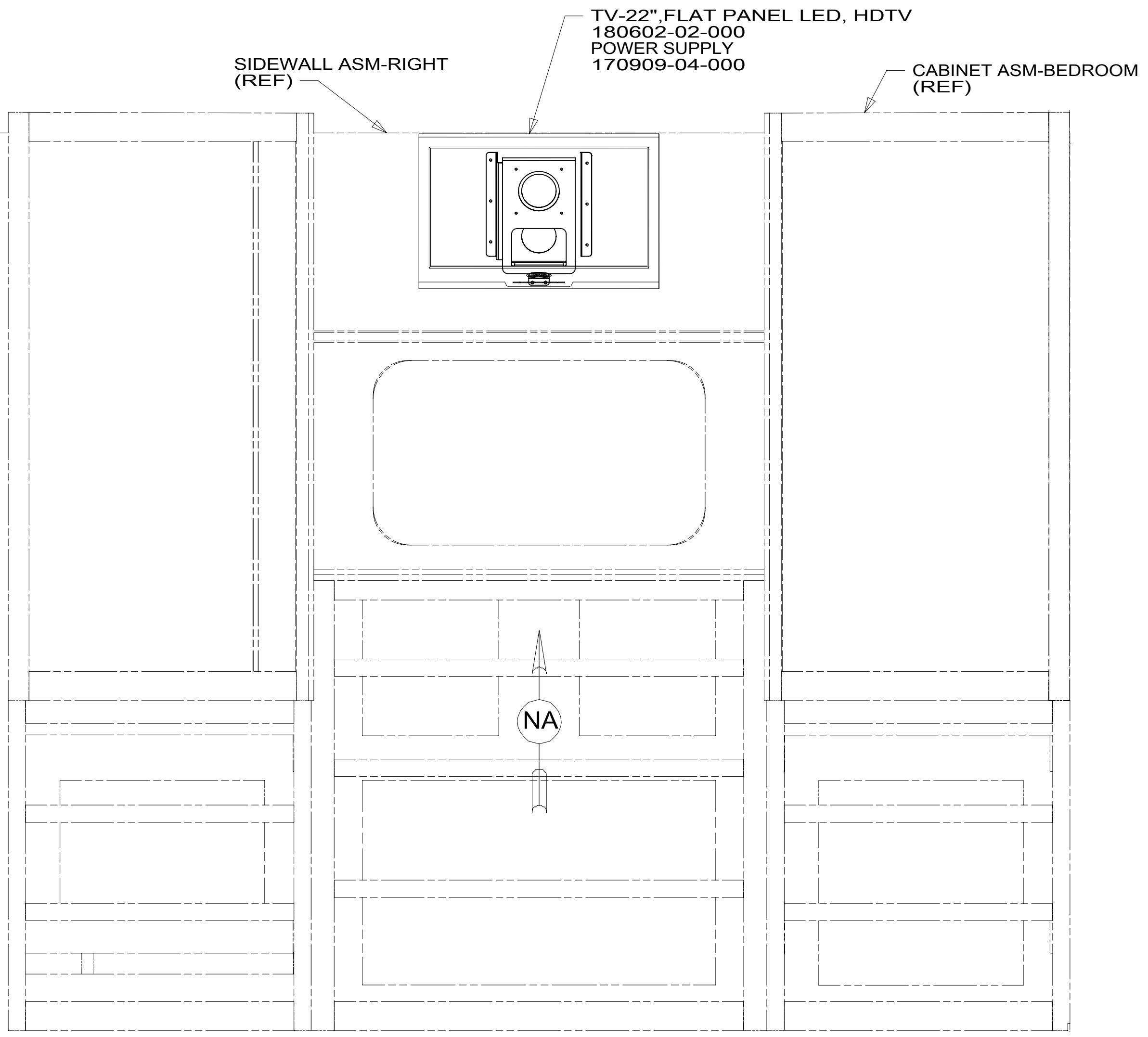
SHEET 12 PART NO **180921** REV

FOR ELECTRICAL TORQUE SPECIFICATIONS SEE DWG NO. 128783-01-000

FOR ELECTRICAL CALLOUTS SEE DWG NO. 121339-01-000



180921



VIEW NA
(TV NOT SHOWN)

- 68B TV (REAR)DC 22" LCD W/REMOTE
- 265 CODES/STANDARDS-CSA/CMVSS
- 1B1 CODES/STANDARDS USA

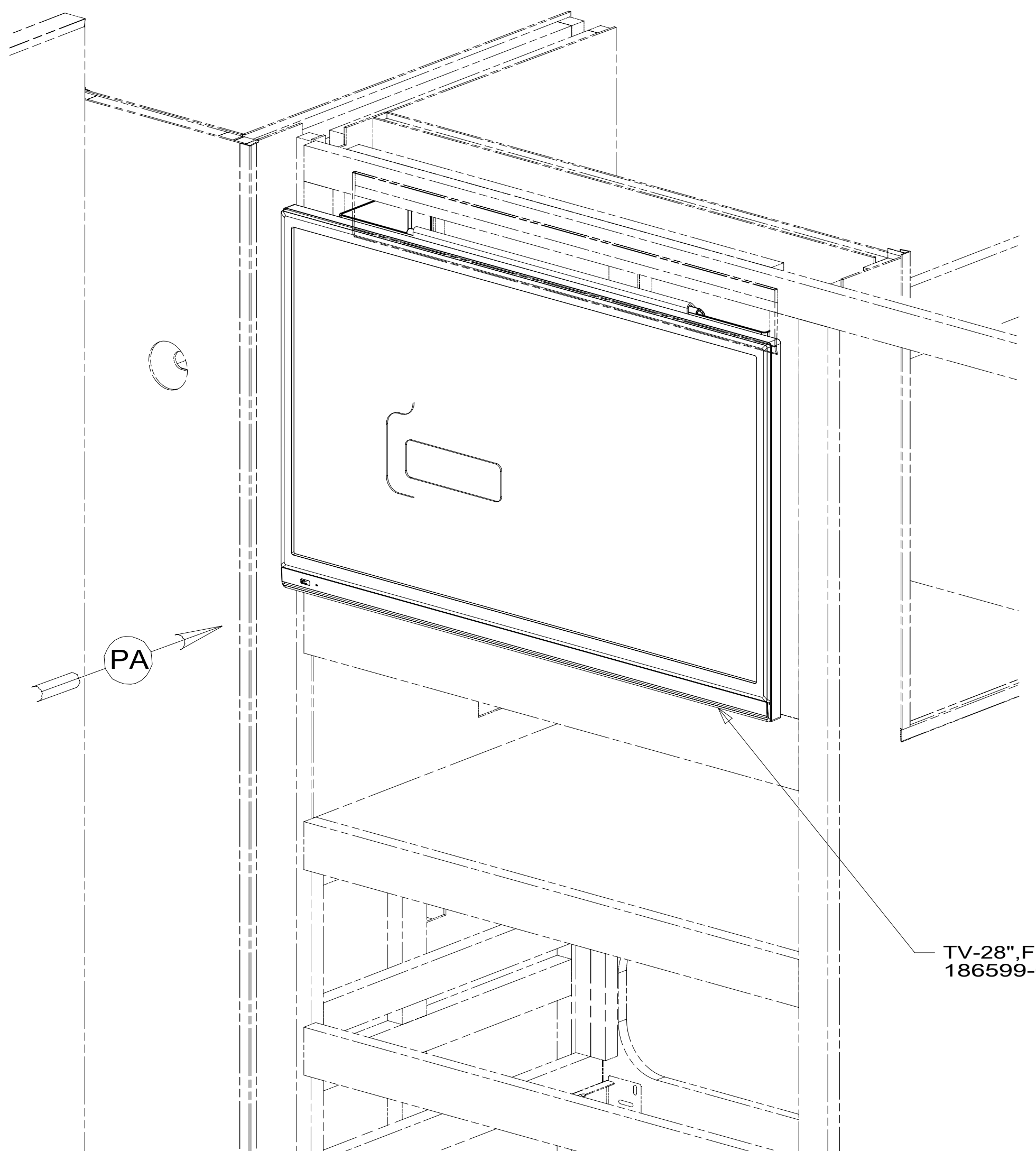
1B1 265 68B

FIRST USED	13 E-SERIES
DO NOT SCALE DRAWING	
TITLE:	WIRING INSTL-TV/DVD
SHEET 13	PART NO 180921 REV

FOR ELECTRICAL TORQUE SPECIFICATIONS SEE DWG NO. 128783-01-000

FOR ELECTRICAL CALLOUTS SEE DWG NO. 121339-01-000

180921



TV-28",FLAT PANEL-LED HDTV
186599-01-000

SUPPORT-MOUNTING,TV
166615-05-CHT
SCREW
000G11-08-12U (6)
GROMMET
114208-05-000

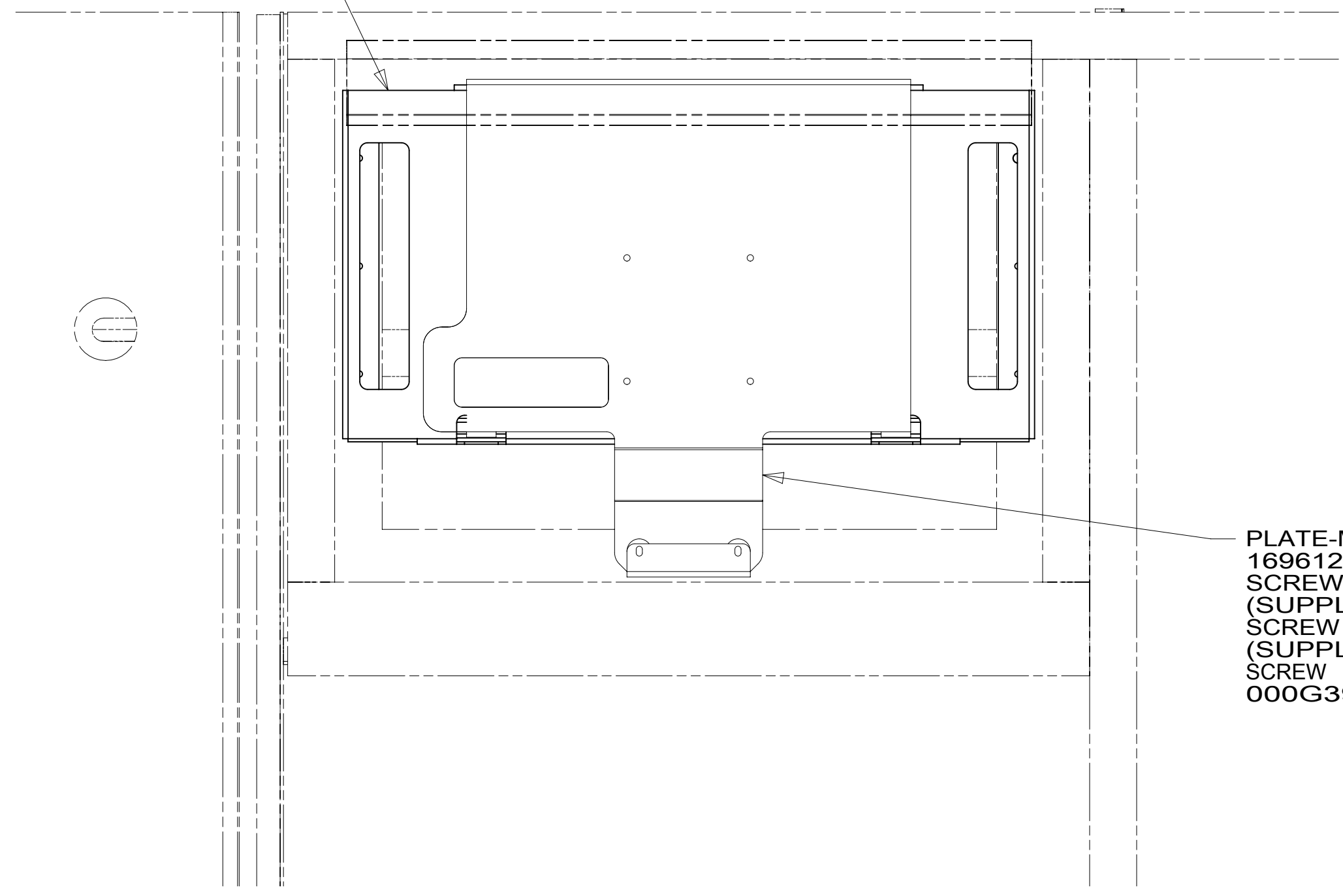


PLATE-MOUNTING,TV
169612-37-CHT
SCREW (MAIN SUPPORT)
(SUPPLIED W/TV)
SCREW (LOWER SUPPORT)
(SUPPLIED W/TV)
SCREW
000G39-08-12U (2)

VIEW PA

- 61M TV(REAR)-28" COLOR STEREO
- 265 CODES/STANDARDS-CSA/CMVSS
- 1B1 CODES/STANDARDS USA

1B1 265 61M

FIRST USED **13 E-SERIES**

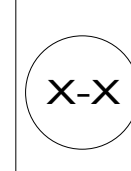
DO NOT SCALE DRAWING

TITLE: **WIRING INSTL-TV/DVD**

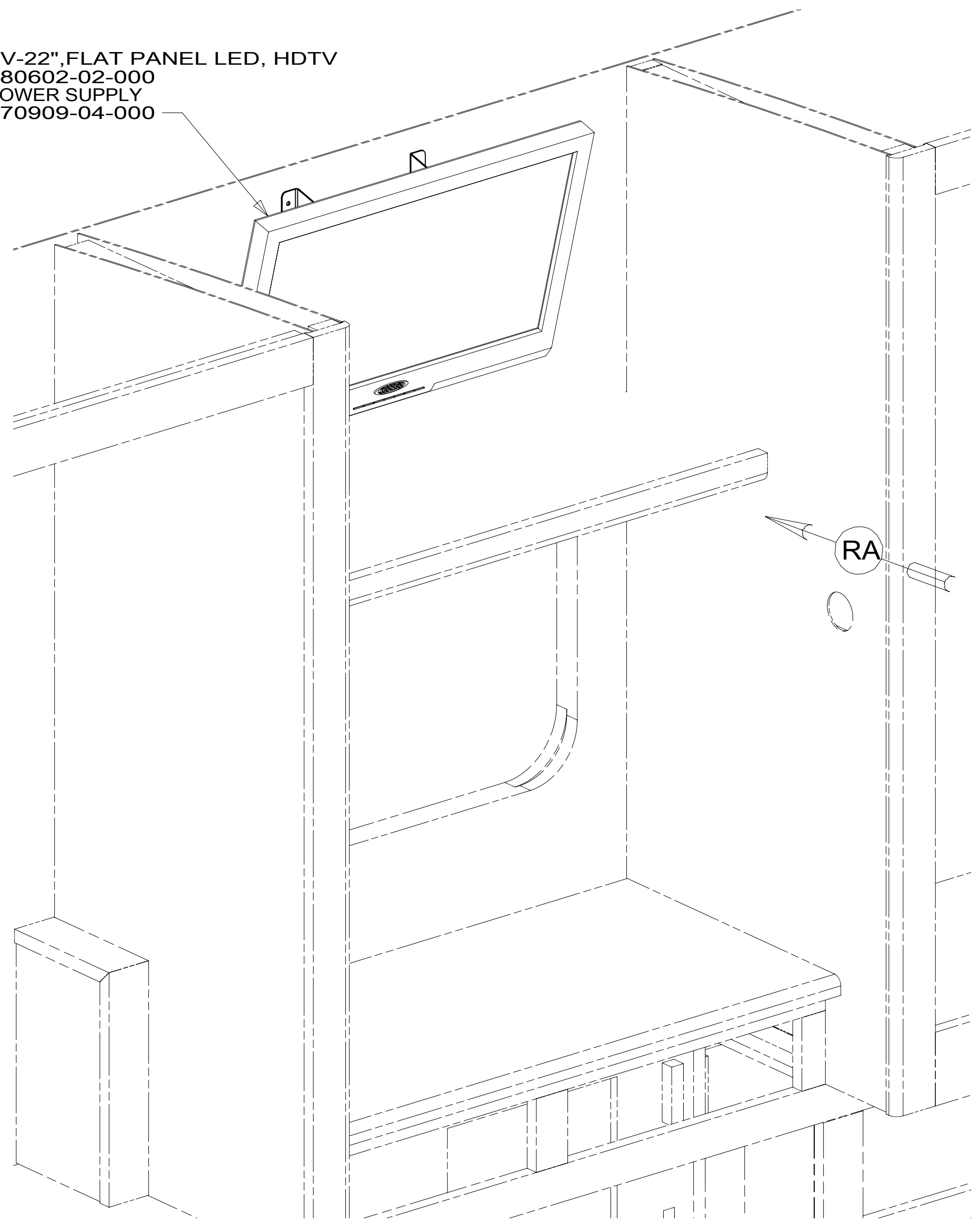
SHEET 14 PART NO **180921** REV

FOR ELECTRICAL
TORQUE
SPECIFICATIONS
SEE DWG NO.
128783-01-000

FOR
ELECTRICAL
CALLOUTS
SEE DWG NO.
121339-01-000

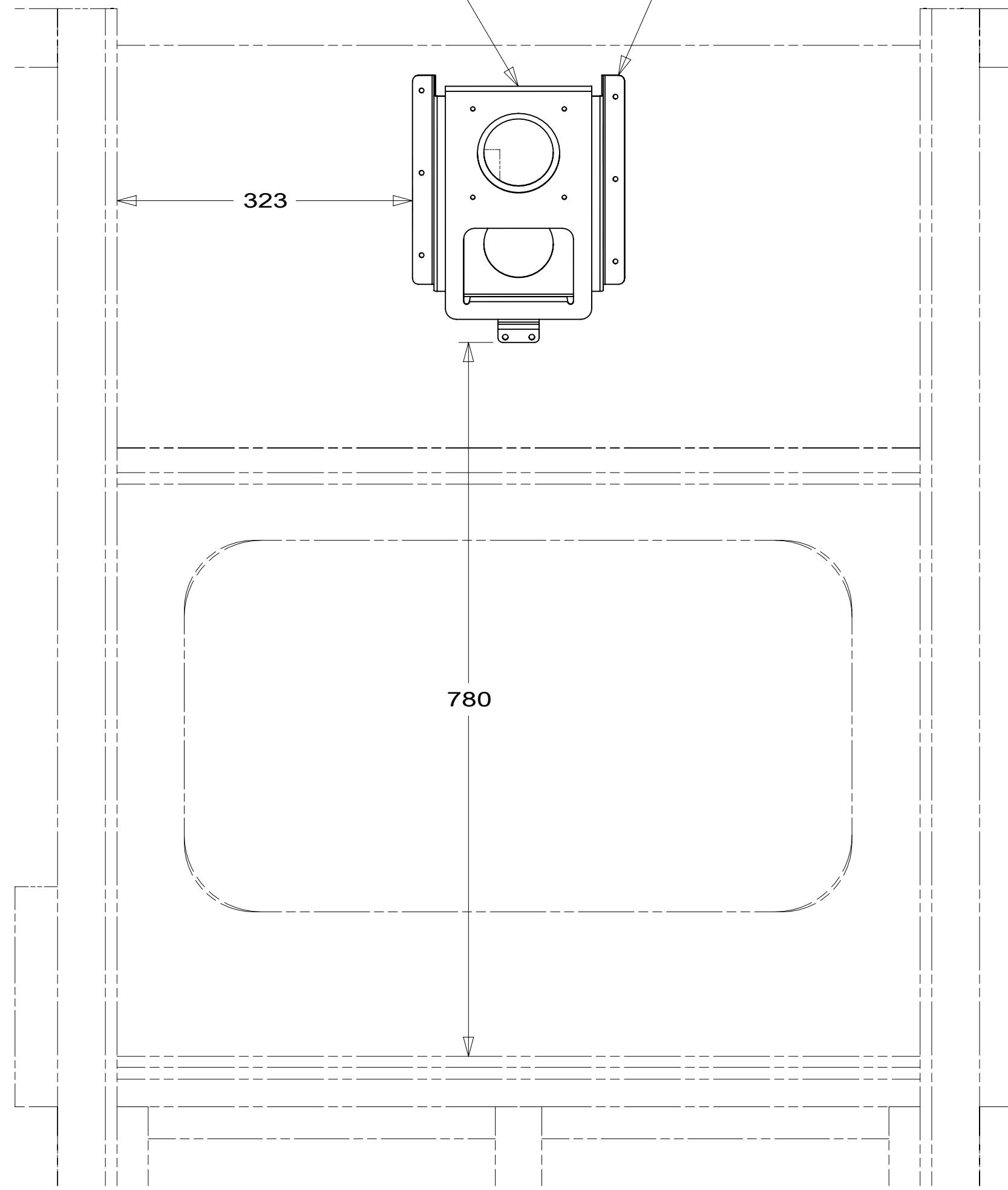


TV-22", FLAT PANEL LED, HDTV
180602-02-000
POWER SUPPLY
170909-04-000



BRACKET-MOUNTING,TV
163321-05-CHT
SCREW (MAIN SUPPORT)
SUPPLIED WITH TV
SCREW (LOWER SUPPORT)
OMG02B-04-016 (2)
WASHER
E14-10-00B (4)

BRACKET-TV
158394-15-CHT
SCREW
G11-08-12U (6)
GROMMET
114208-05-000



VIEW RA

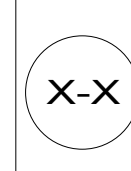
- 68B TV (REAR)DC 22" LCD W/REMOTE
- 265 CODES/STANDARDS-CSA/CMVSS
- 1B1 CODES/STANDARDS USA

1B1 265 68B

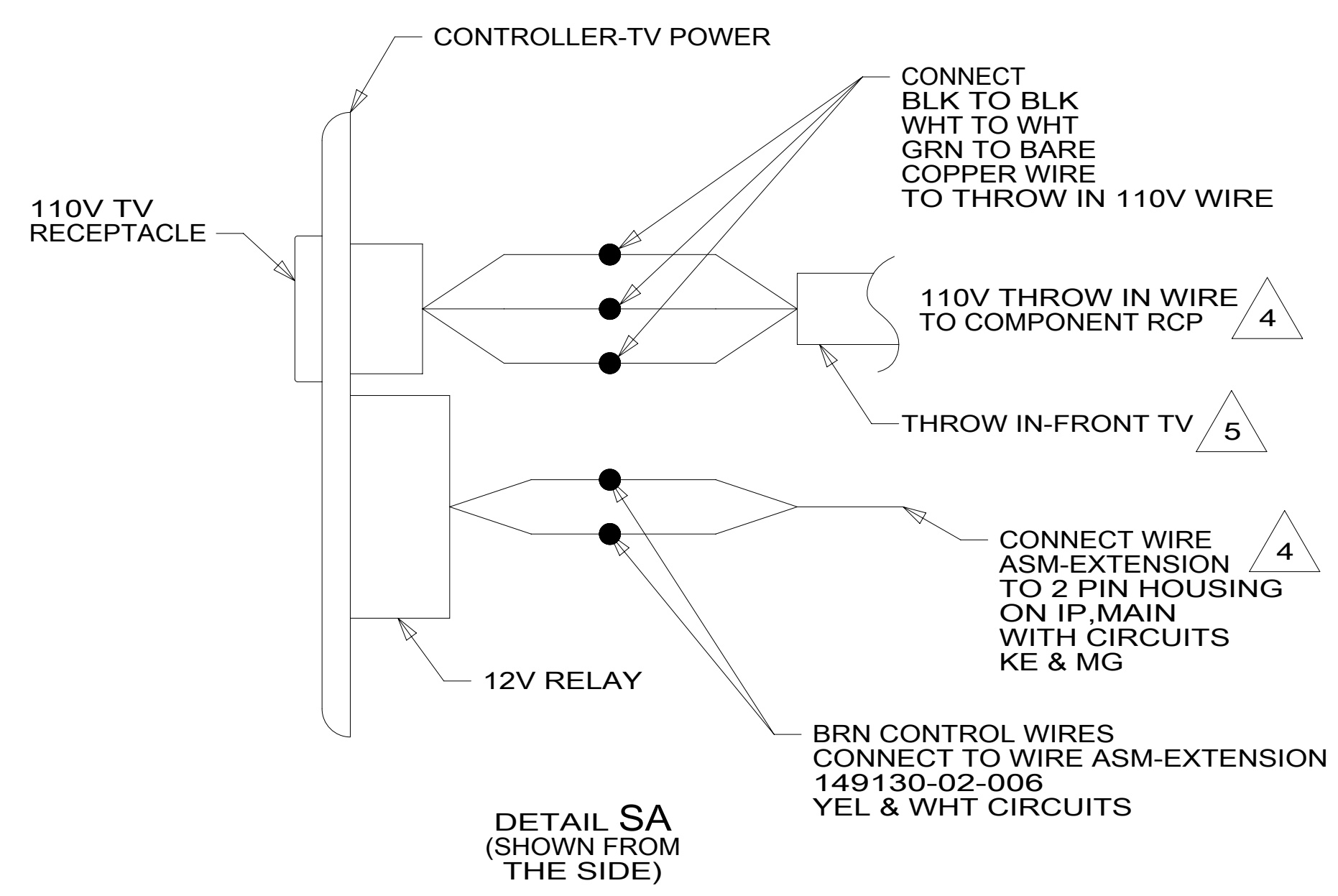
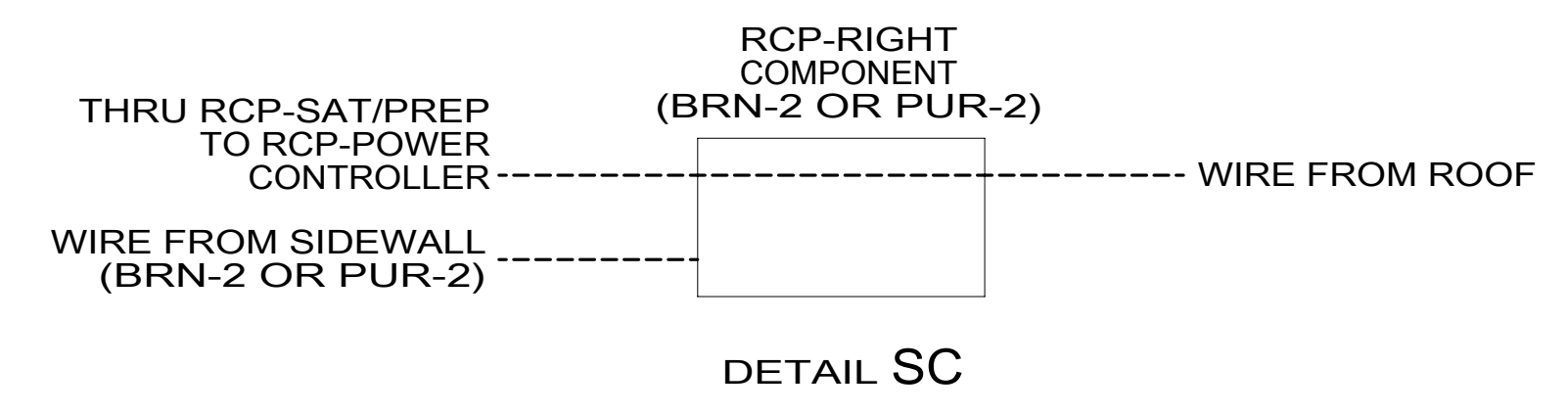
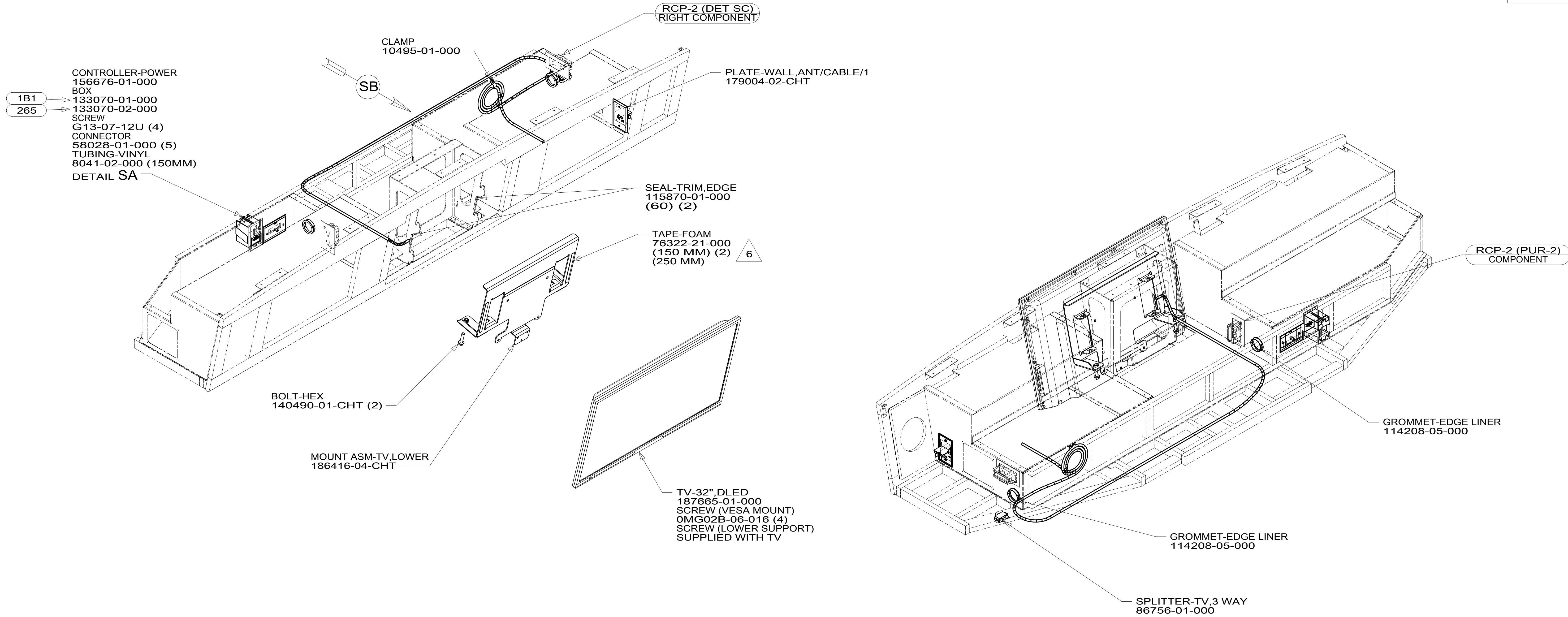
FIRST USED	
13 E-SERIES	
DO NOT SCALE DRAWING	
TITLE:	
WIRING INSTL-TV/DVD	
SHEET 15	PART NO 180921 REV

FOR ELECTRICAL
TORQUE
SPECIFICATIONS
SEE DWG NO.
128783-01-000

FOR
ELECTRICAL
CALLOUTS
SEE DWG NO.
121339-01-000



180921



VIEW SB

- 6 PREP SURFACE WITH 87211-01-000.
- 5 SEE 110V LOAD CENTER ASM FOR ADDITIONAL INFORMATION.
- 4 ROUTE 110V AND 12V WIRES IN OPPOSITE ENDS OF ELECTRICAL BOX.
3. WHERE WIRES PASS THROUGH HOLES IN STEEL AND NOT OTHERWISE PROTECTED, USE GROMMET 92908-02-000.
2. ALL WIRES TO BE SECURED WITH CLAMP 10495-01-000 OR CLIP 80734-01-000 EVERY 600MM. USE SCREW G67-10-12B UNLESS OTHERWISE SPECIFIED.
1. 110V WIRE TO BE CLAMPED WITH CLAMP 10497-05-000 WITHIN 200MM OF OUTLET BOXES, USE SCREW G67-10-12B.

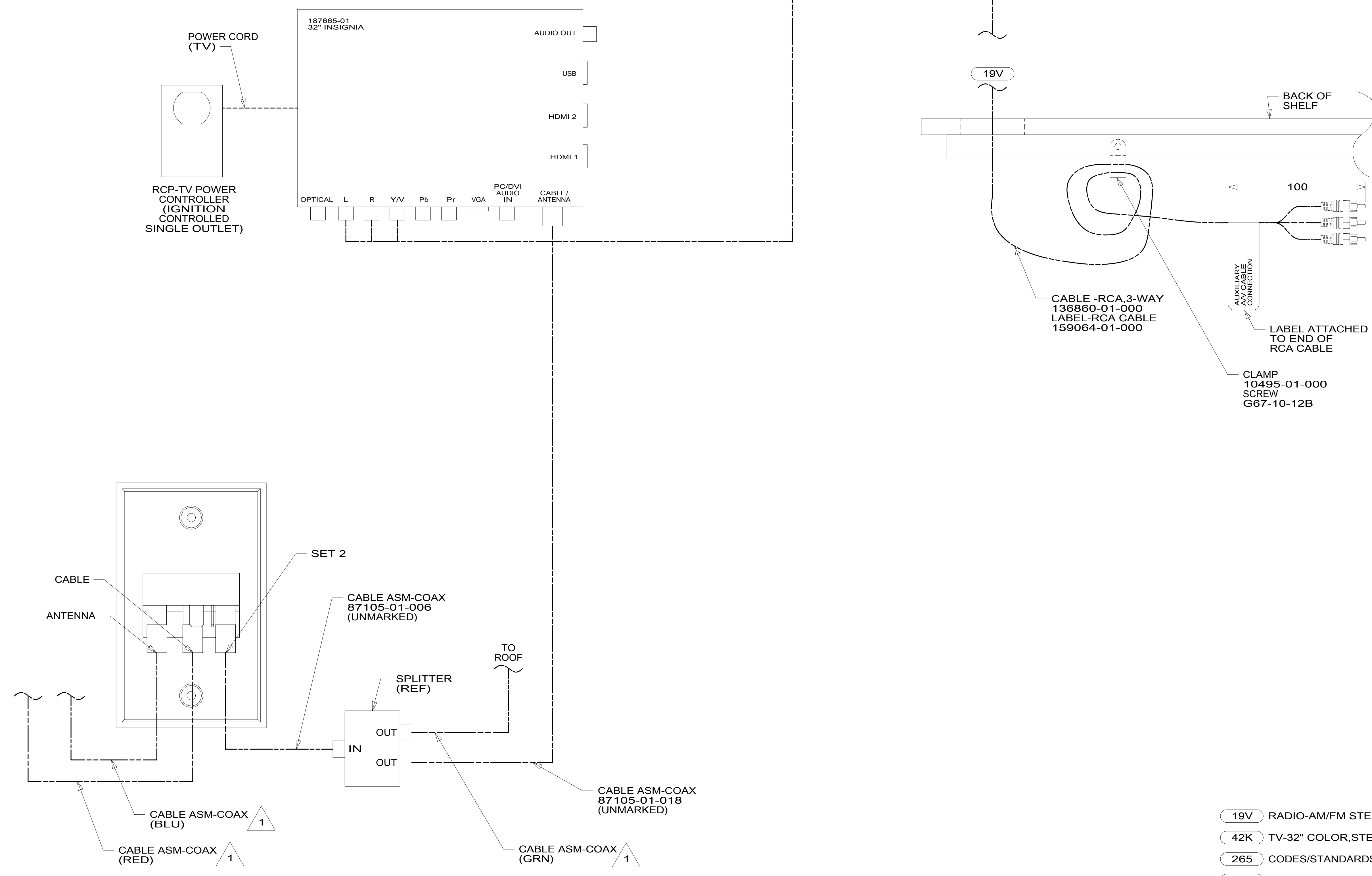
- 42K TV-32" COLOR,STEREO W/REMOTE
- 265 CODES/STANDARDS-CSA/CMVSS
- 1B1 CODES/STANDARDS USA

FIRST USED	
13 E-SERIES	
DO NOT SCALE DRAWING	
TITLE: WIRING INSTL-TV/DVD	
SHEET 16	PART NO 180921 REV

FOR ELECTRICAL TORQUE SPECIFICATIONS SEE DWG NO. 128783-01-000

FOR ELECTRICAL CALLOUTS SEE DWG NO. 121339-01-000

180921



1 CABLE ROUTED IN ROOF.

NOTES:

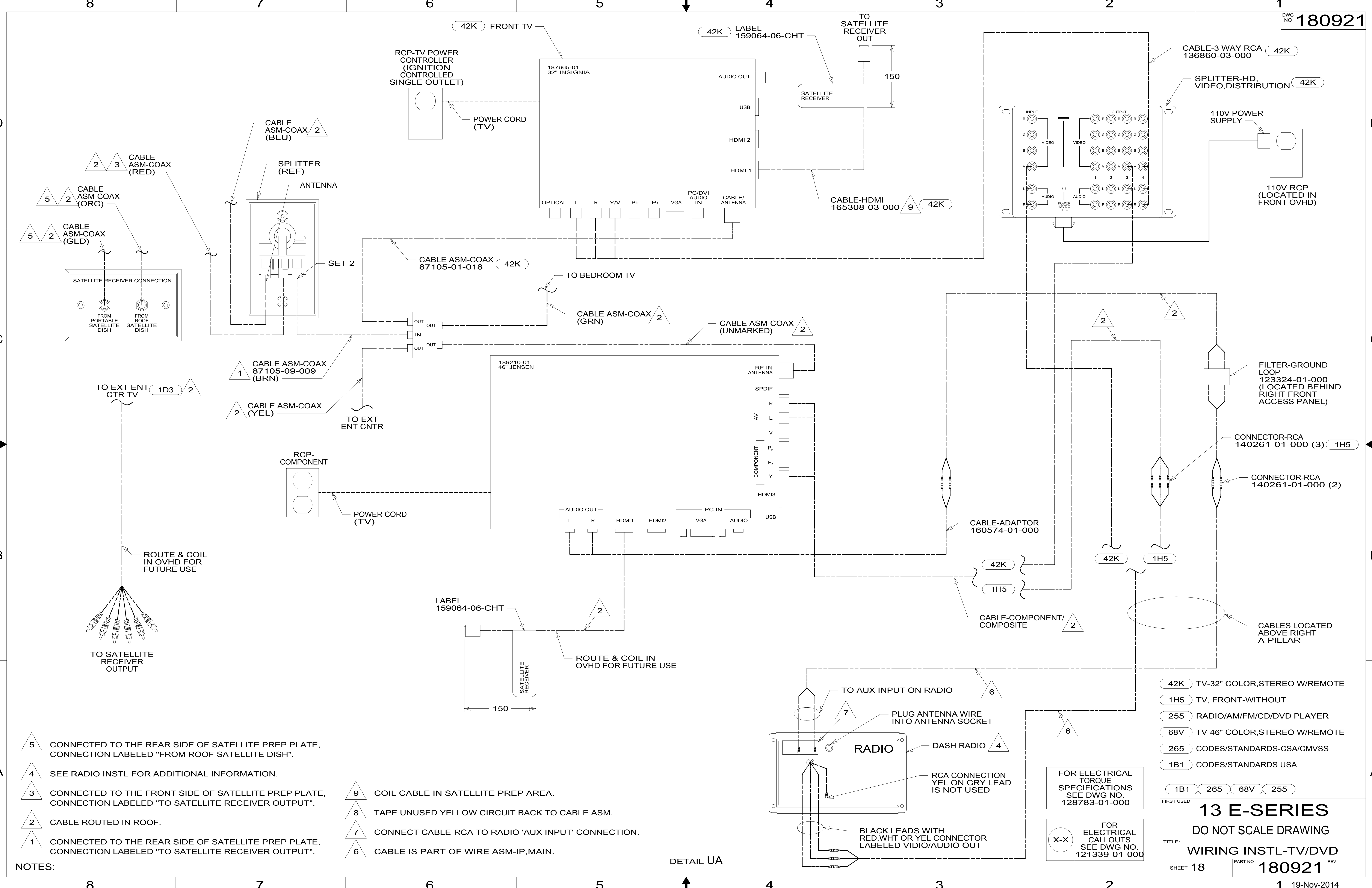
FOR ELECTRICAL TORQUE SPECIFICATIONS SEE DWG NO. 128783-01-000

FOR ELECTRICAL CALLOUTS SEE DWG NO. 121339-01-000

- 19V RADIO-AM/FM STEREO CD PLAYER
- 42K TV-32" COLOR, STEREO W/REMOTE
- 265 CODES/STANDARDS-CSA/CMVSS
- 1B1 CODES/STANDARDS USA

1B1	265	42K
FIRST USED		
13 E-SERIES		
DO NOT SCALE DRAWING		
TITLE: WIRING INSTL-TV/DVD		
SHEET 17	PART NO 180921	REV
1 19-Nov-2014		

180921



- NOTES:
- 5 CONNECTED TO THE REAR SIDE OF SATELLITE PREP PLATE, CONNECTION LABELED "FROM ROOF SATELLITE DISH".
 - 4 SEE RADIO INSTL FOR ADDITIONAL INFORMATION.
 - 3 CONNECTED TO THE FRONT SIDE OF SATELLITE PREP PLATE, CONNECTION LABELED "TO SATELLITE RECEIVER OUTPUT".
 - 2 CABLE ROUTED IN ROOF.
 - 1 CONNECTED TO THE REAR SIDE OF SATELLITE PREP PLATE, CONNECTION LABELED "TO SATELLITE RECEIVER OUTPUT".

- 9 COIL CABLE IN SATELLITE PREP AREA.
- 8 TAPE UNUSED YELLOW CIRCUIT BACK TO CABLE ASM.
- 7 CONNECT CABLE-RCA TO RADIO 'AUX INPUT' CONNECTION.
- 6 CABLE IS PART OF WIRE ASM-IP,MAIN.

- 42K TV-32" COLOR,STEREO W/REMOTE
- 1H5 TV, FRONT-WITHOUT
- 255 RADIO/AM/FM/CD/DVD PLAYER
- 68V TV-46" COLOR,STEREO W/REMOTE
- 265 CODES/STANDARDS-CSA/CMVSS
- 1B1 CODES/STANDARDS USA

FOR ELECTRICAL TORQUE SPECIFICATIONS SEE DWG NO. 128783-01-000

FOR ELECTRICAL CALLOUTS SEE DWG NO. 121339-01-000

FIRST USED

13 E-SERIES

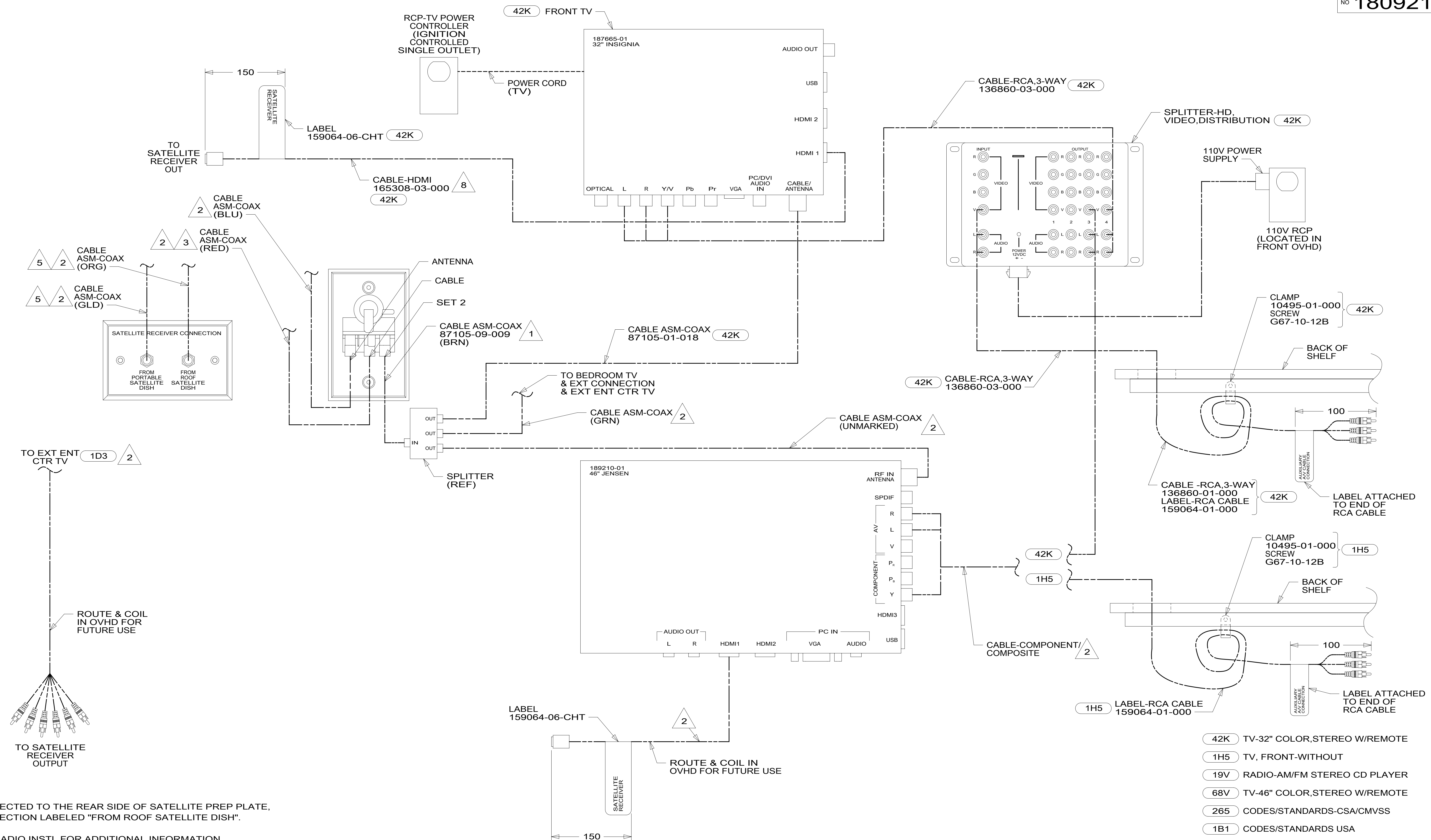
DO NOT SCALE DRAWING

TITLE: **WIRING INSTL-TV/DVD**

SHEET 18 PART NO **180921** REV

180921

DETAIL UA



- NOTES:
- 5 CONNECTED TO THE REAR SIDE OF SATELLITE PREP PLATE, CONNECTION LABELED "FROM ROOF SATELLITE DISH".
 - 4 SEE RADIO INSTL FOR ADDITIONAL INFORMATION.
 - 3 CONNECTED TO THE FRONT SIDE OF SATELLITE PREP PLATE, CONNECTION LABELED "TO SATELLITE RECEIVER OUTPUT".
 - 2 CABLE ROUTED IN ROOF.
 - 1 CONNECTED TO THE REAR SIDE OF SATELLITE PREP PLATE, CONNECTION LABELED "TO SATELLITE RECEIVER OUTPUT".

- 8 COIL CABLE IN SATELLITE PREP AREA.
- 7 CONNECT CABLE-RCA TO RADIO 'AUX INPUT' CONNECTION.
- 6 CABLE IS PART OF WIRE ASM-IP,MAIN.

- 42K TV-32" COLOR,STEREO W/REMOTE
- 1H5 TV, FRONT-WITHOUT
- 19V RADIO-AM/FM STEREO CD PLAYER
- 68V TV-46" COLOR,STEREO W/REMOTE
- 265 CODES/STANDARDS-CSA/CMVSS
- 1B1 CODES/STANDARDS USA

FIRST USED

13 E-SERIES

DO NOT SCALE DRAWING

TITLE: **WIRING INSTL-TV/DVD**

SHEET 19 PART NO **180921** REV

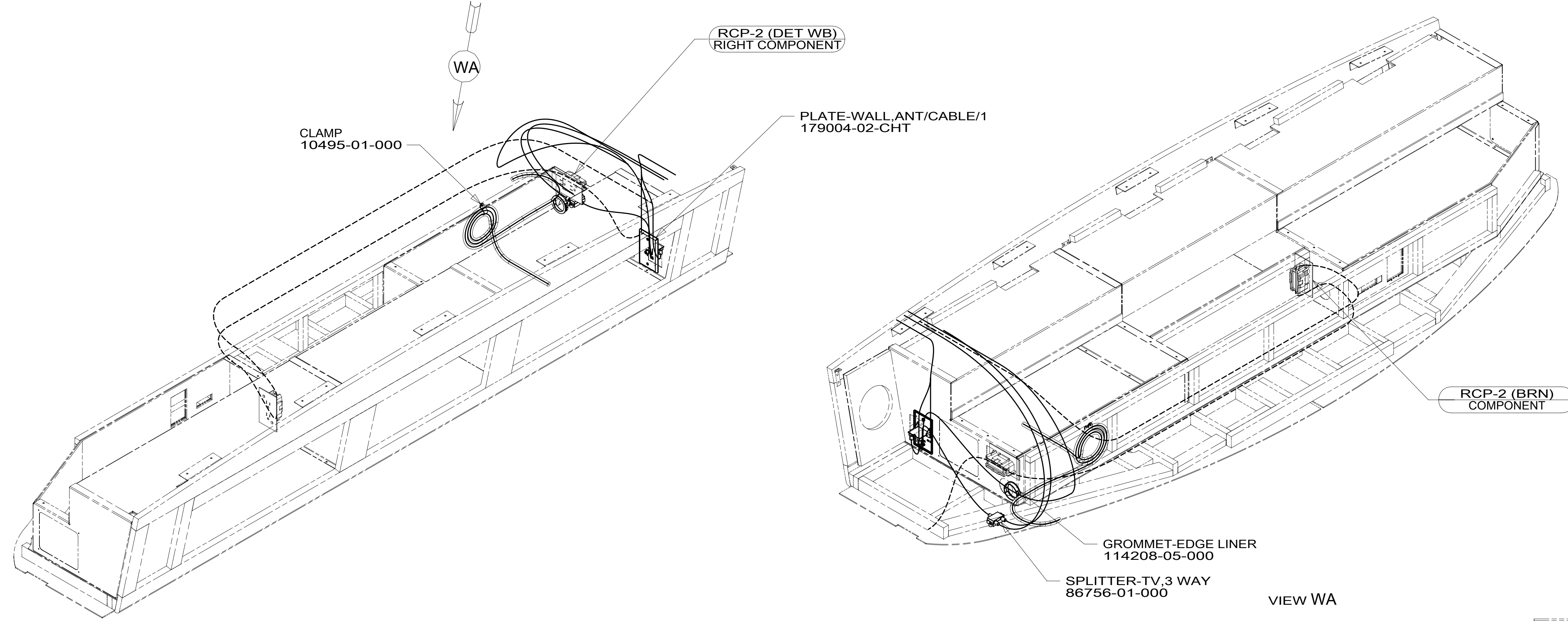
19-Nov-2014

FOR ELECTRICAL TORQUE SPECIFICATIONS SEE DWG NO. 128783-01-000

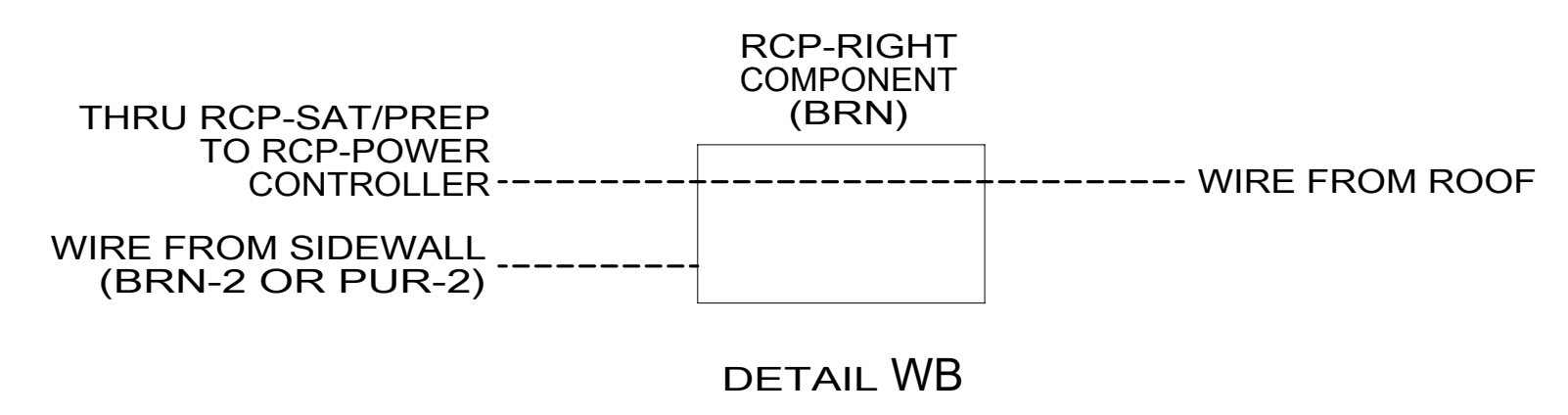
FOR ELECTRICAL CALLOUTS SEE DWG NO. 121339-01-000

DETAIL VA

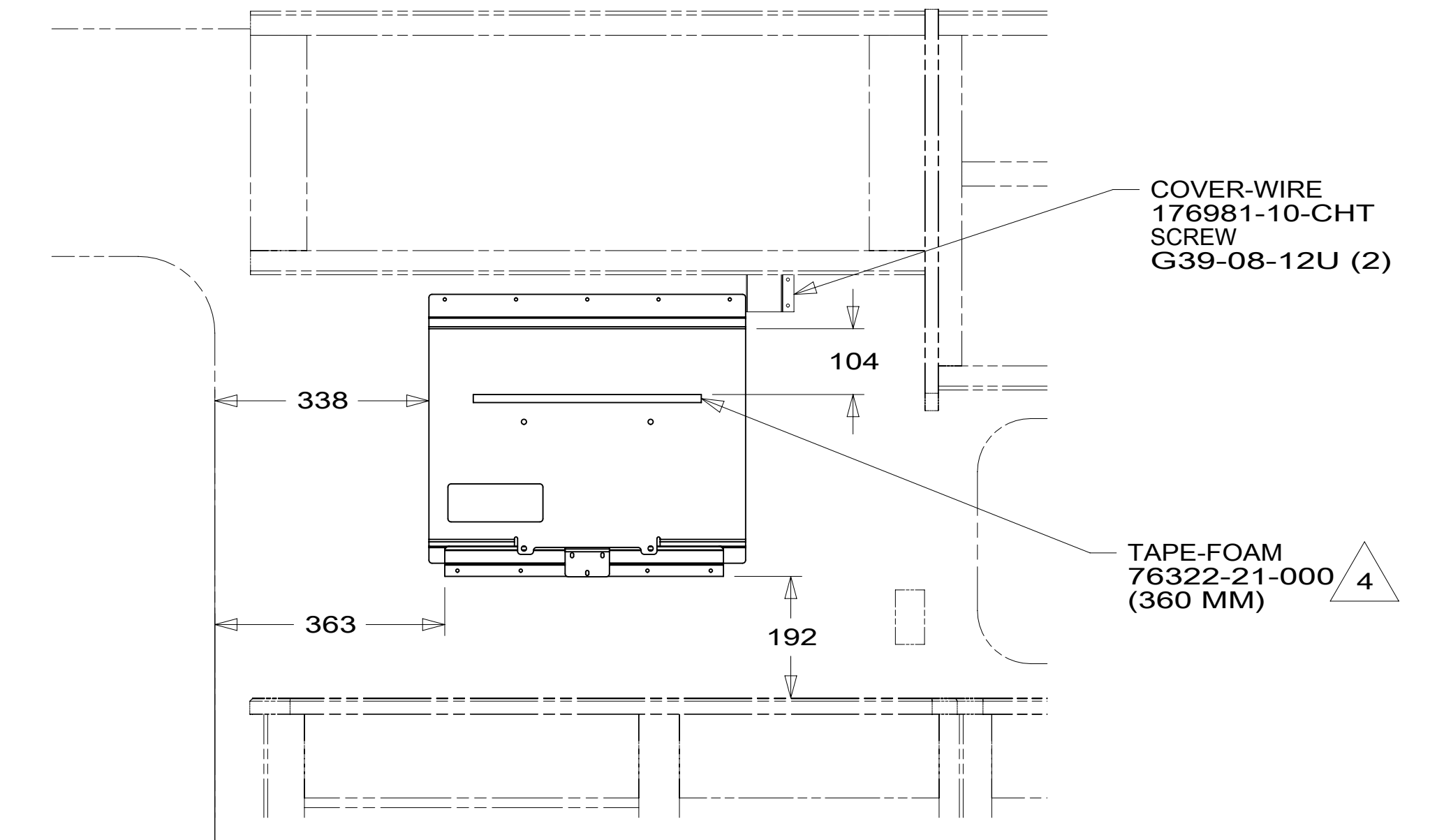
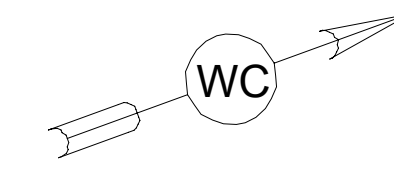
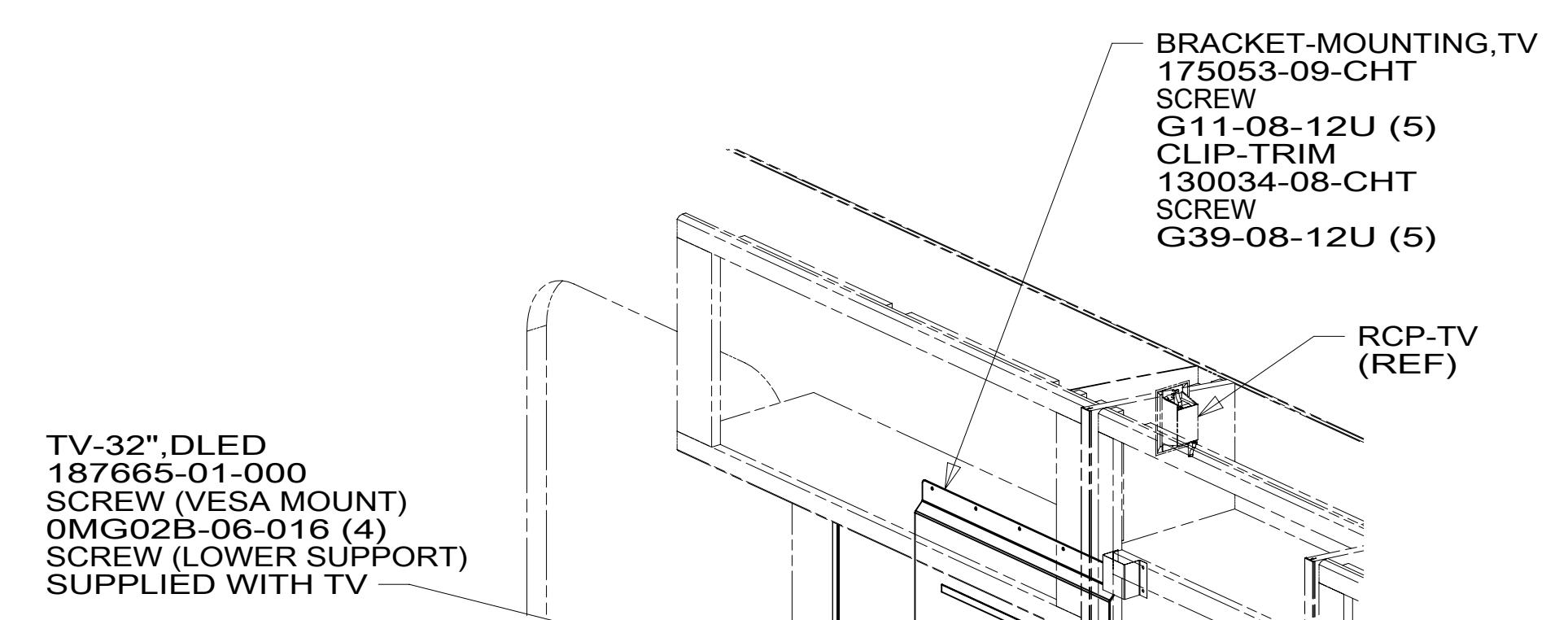
180921



VIEW WA



DETAIL WB



VIEW WC

- NOTES:
- 4 PREP SURFACE WITH 87211-01-000.
 - 3. WHERE WIRES PASS THROUGH HOLES IN STEEL AND NOT OTHERWISE PROTECTED, USE GROMMET 92908-02-000.
 - 2. ALL WIRES TO BE SECURED WITH CLAMP 10495-01-000 OR CLIP 80734-01-000 EVERY 600MM. USE SCREW G67-10-12B UNLESS OTHERWISE SPECIFIED.
 - 1. 110V WIRE TO BE CLAMPED WITH CLAMP 10497-05-000 WITHIN 200MM OF OUTLET BOXES, USE SCREW G67-10-12B.

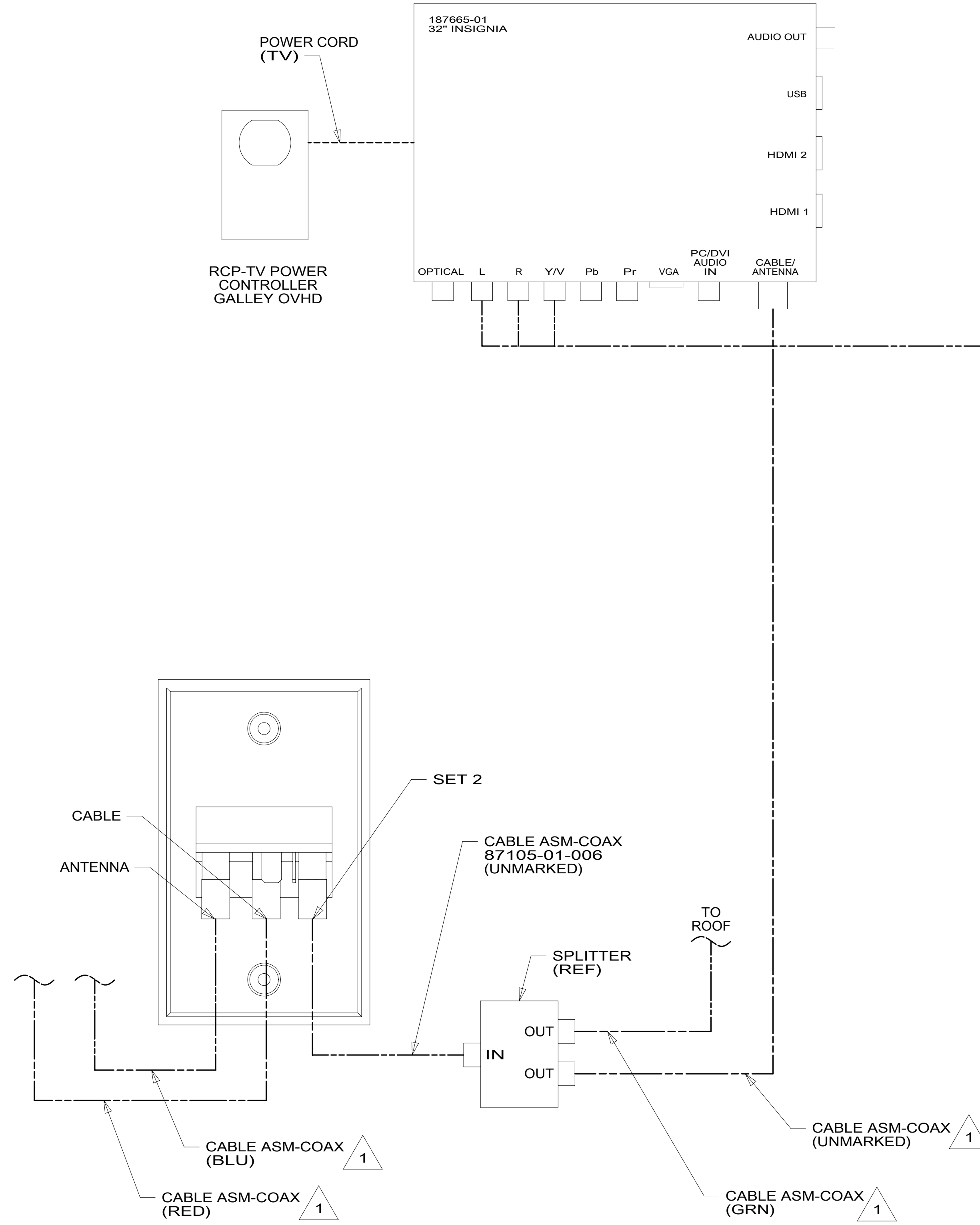
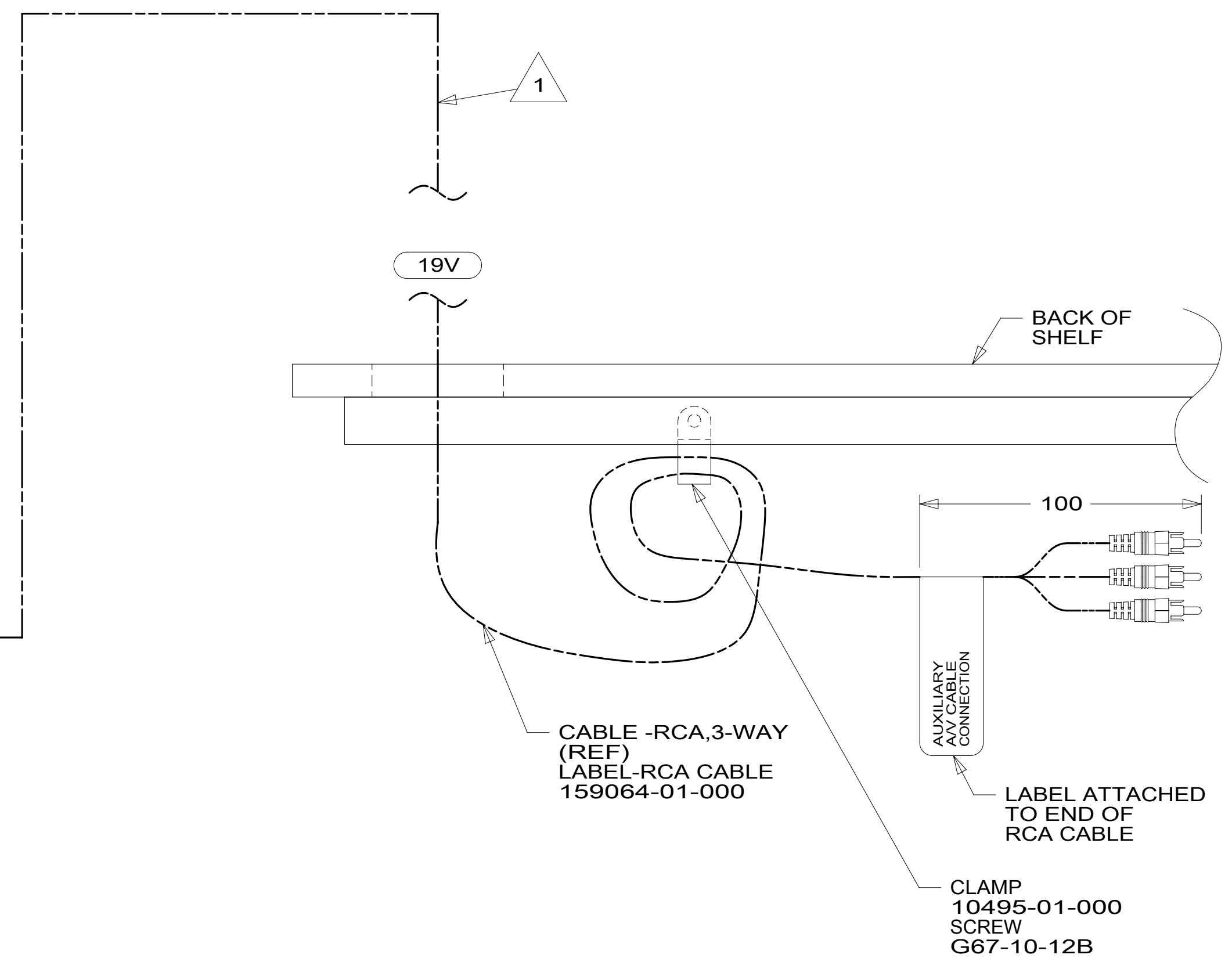
FOR ELECTRICAL TORQUE SPECIFICATIONS SEE DWG NO. 128783-01-000

FOR ELECTRICAL CALLOUTS SEE DWG NO. 121339-01-000

- 42K TV-32" COLOR,STEREO W/REMOTE
- 265 CODES/STANDARDS-CSA/CMVSS
- 1B1 CODES/STANDARDS USA

FIRST USED	13 E-SERIES	
DO NOT SCALE DRAWING		
TITLE:	WIRING INSTL-TV/DVD	
SHEET 20	PART NO 180921	REV
19-Nov-2014		

180921



1 CABLE ROUTED IN ROOF.
NOTES:

FOR ELECTRICAL TORQUE SPECIFICATIONS SEE DWG NO. 128783-01-000

X-X FOR ELECTRICAL CALLOUTS SEE DWG NO. 121339-01-000

- 19V RADIO-AM/FM STEREO CD PLAYER
- 42K TV-32" COLOR,STEREO W/REMOTE
- 265 CODES/STANDARDS-CSA/CMVSS
- 1B1 CODES/STANDARDS USA

1B1	265	42K
FIRST USED		
13 E-SERIES		
DO NOT SCALE DRAWING		
TITLE: WIRING INSTL-TV/DVD		
SHEET 21	PART NO 180921	REV
1 19-Nov-2014		

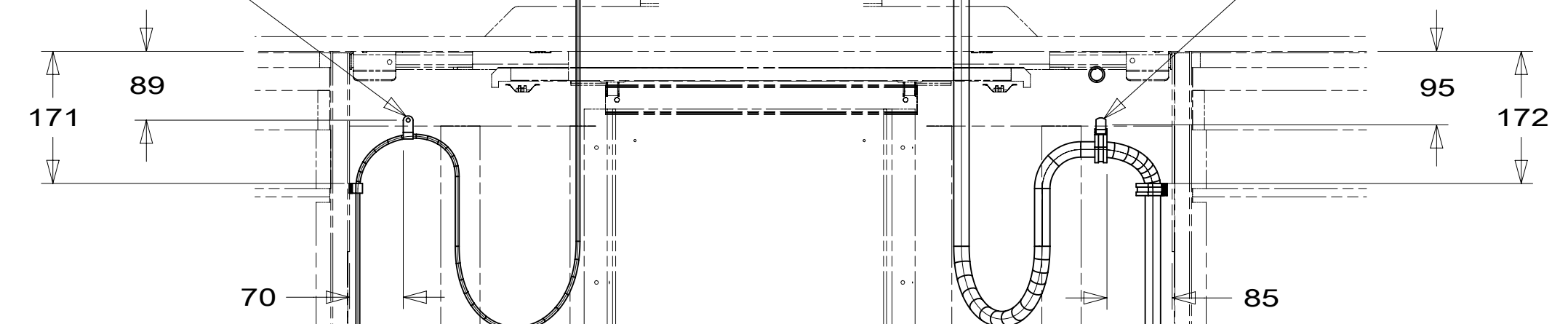
180921 A

WIRE TIE IS TO BE ROUTED THROUGH HOLE IN LOWER BRACKET AS SHOWN TO PROPERLY SUPPORT CABLE ASM (2) PLACES

CLAMP-CABLE 10495-01-000 (2)
SCREW G11-08-16U (2)

TIE-WIRE 8343-04-000 (2)

CLAMP-CLOSED 10497-02-000 (2)
SCREW G11-08-16U (2)

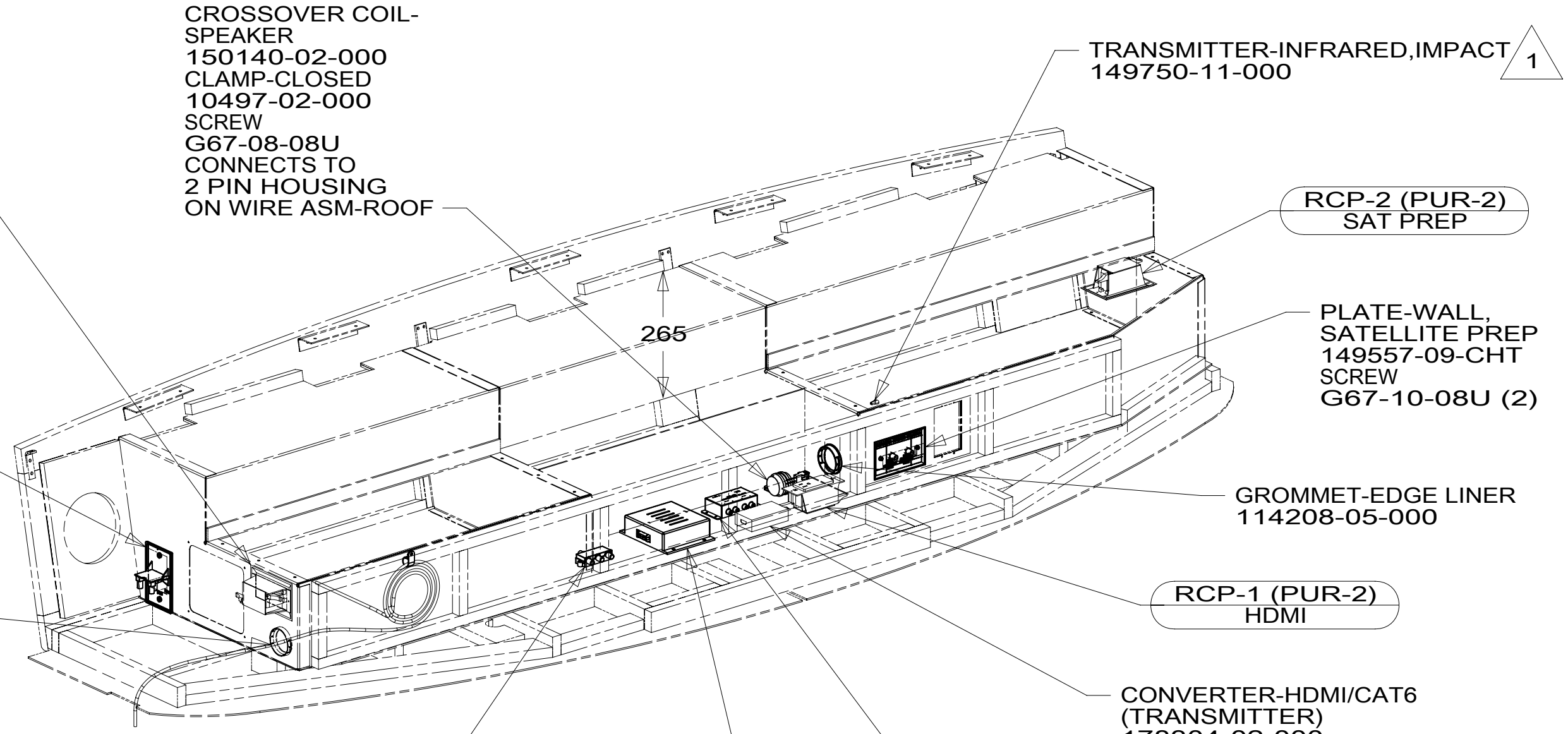


VIEW YA

WIRE ASM-COACH (REF)

193 PLATE-WALL,ANT/CABLE/1 179004-02-CHT

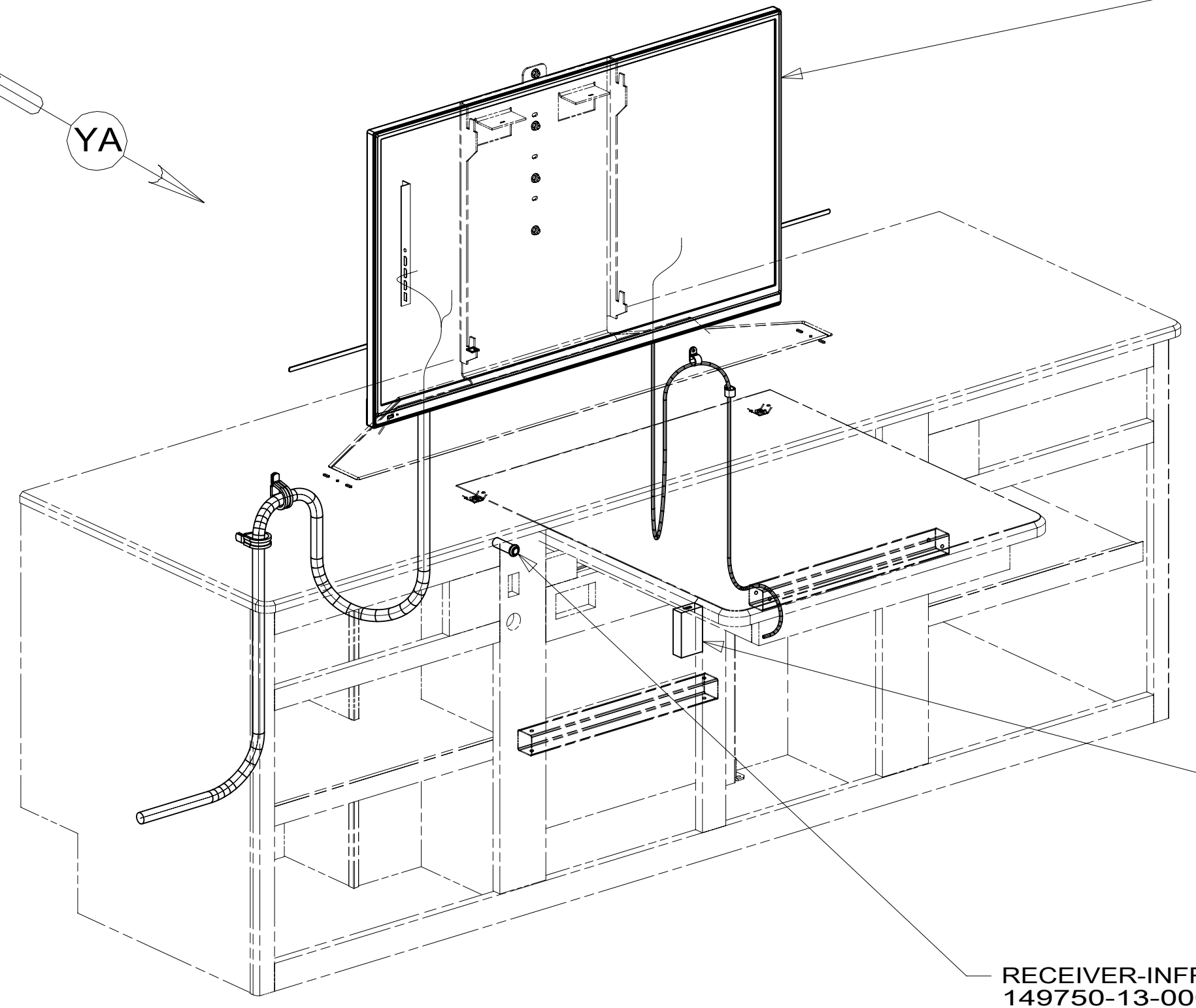
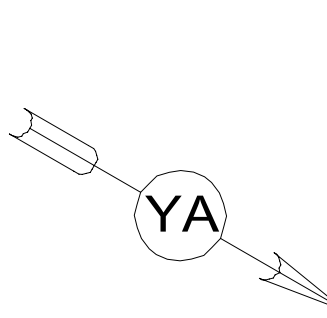
19V GROMMET-EDGE LINER 114208-04-000 PLUG-PLASTIC 61420-15-000



SPLITTER-TV,3 WAY 86756-02-000

MODULE-INTERFACE,IR IMPACT 149750-09-000
WIRE ASM-EXTENSION,2 PIN 177836-01-000
DETAIL YB

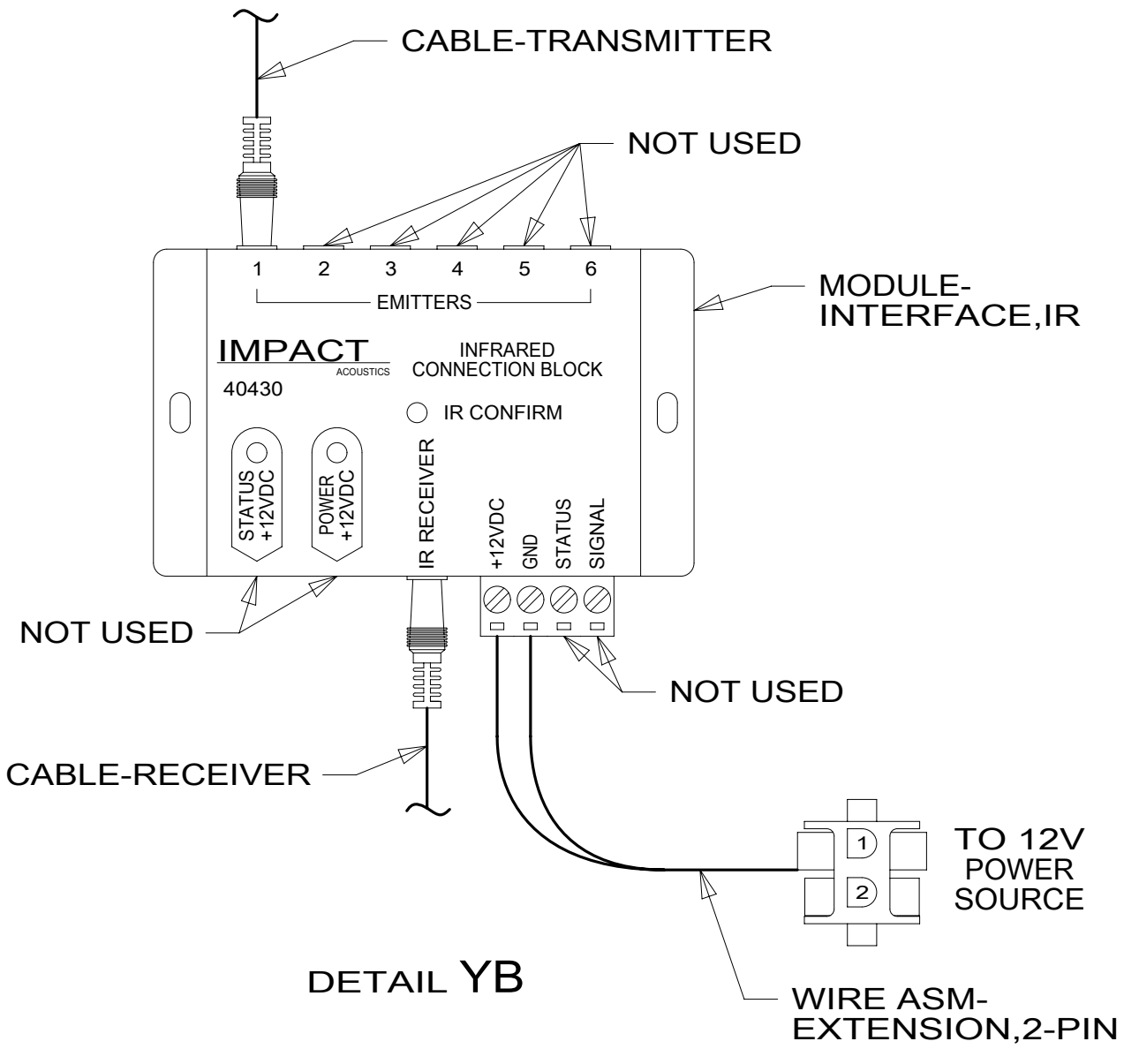
CROSSOVER NETWORK BX-SPEAKER 150140-01-000
CONNECTS TO (2) 4 PIN HOUSINGS FROM WIRE ASM-ROOF



TV-39", FLAT PANEL ELED, HDTV 186601-01-000
SCREW (SUPPLIED W/TV) (TV TO BRACKET) BRACKET ASM-MOUNTING, TV 173816-14-CHT
SCREW G39-10-12U (2) (TOP TUBE TO TV BRACKET)
SCREW 000G39-08-12U (3) SUPPORT-MOUNTING, TV 172123-12-CHT
SCREW 000G39-08-12U (3)

CONVERTER-HDMI/CAT6 (RECEIVER) DUAL LOCK 85774-01-000 (50 MM) (2)
85774-02-000 (50 MM) (2) TO SIDEWALL

RECEIVER-INFRARED, IMPACT 149750-13-000



DETAIL YB

TO 12V POWER SOURCE

- 19V RADIO-AM/FM STEREO CD PLAYER
- 255 RADIO-AM/FM/CD/DVD PLAYER
- 193 TV ANTENNA-AMPLIFIED SYSTEM
- 1H5 TV, FRONT-WITHOUT
- 21R DINING/BUFFET/POWERED TV
- 265 CODES/STANDARDS-CSA/CMVSS
- 1B1 CODES/STANDARDS USA

1B1 265 21R 1H5

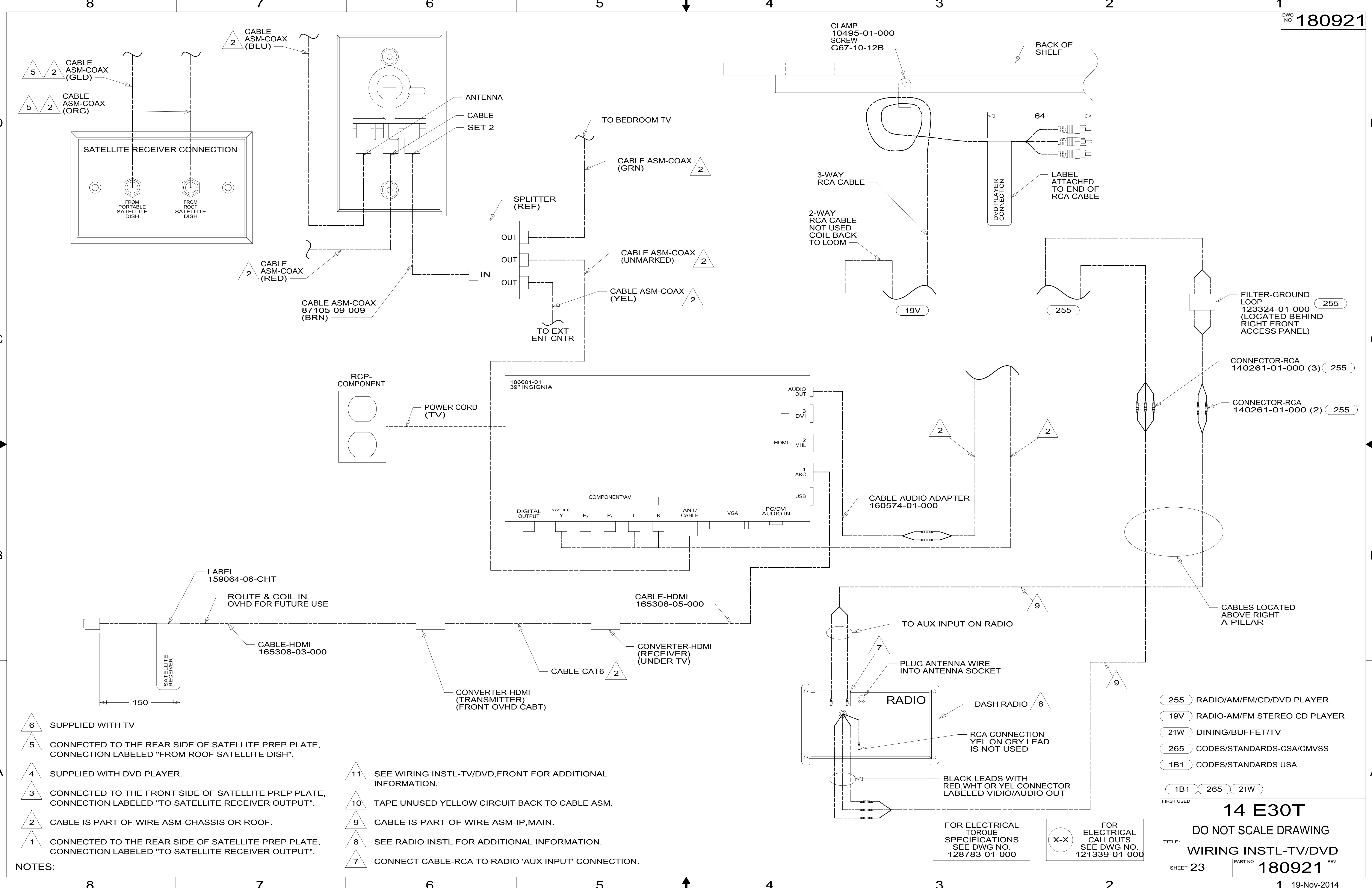
NOTES:
1 ROUTE 1 TRANSMITTER TO EACH SIDE AND COIL FOR FUTURE USE.

FOR ELECTRICAL TORQUE SPECIFICATIONS SEE DWG NO. 128783-01-000

FOR ELECTRICAL CALLOUTS SEE DWG NO. 121339-01-000

FIRST USED	
14 E30T	
DO NOT SCALE DRAWING	
TITLE: WIRING INSTL-TV/DVD	
SHEET 22	PART NO 180921 REV
19-Nov-2014	

180921 A



- NOTES:
- 6 SUPPLIED WITH TV
 - 5 CONNECTED TO THE REAR SIDE OF SATELLITE PREP PLATE, CONNECTION LABELED "FROM ROOF SATELLITE DISH".
 - 4 SUPPLIED WITH DVD PLAYER.
 - 3 CONNECTED TO THE FRONT SIDE OF SATELLITE PREP PLATE, CONNECTION LABELED "TO SATELLITE RECEIVER OUTPUT".
 - 2 CABLE IS PART OF WIRE ASM-CHASSIS OR ROOF.
 - 1 CONNECTED TO THE REAR SIDE OF SATELLITE PREP PLATE, CONNECTION LABELED "TO SATELLITE RECEIVER OUTPUT".

- 11 SEE WIRING INSTL-TV/DVD,FRONT FOR ADDITIONAL INFORMATION.
- 10 TAPE UNUSED YELLOW CIRCUIT BACK TO CABLE ASM.
- 9 CABLE IS PART OF WIRE ASM-IP,MAIN.
- 8 SEE RADIO INSTL FOR ADDITIONAL INFORMATION.
- 7 CONNECT CABLE-RCA TO RADIO 'AUX INPUT' CONNECTION.

- 255 RADIO/AM/FM/CD/DVD PLAYER
- 19V RADIO-AM/FM STEREO CD PLAYER
- 21W DINING/BUFFET/TV
- 265 CODES/STANDARDS-CSA/CMVSS
- 1B1 CODES/STANDARDS USA

FOR ELECTRICAL TORQUE SPECIFICATIONS SEE DWG NO. 128783-01-000

FOR ELECTRICAL CALLOUTS SEE DWG NO. 121339-01-000

FIRST USED

14 E30T

DO NOT SCALE DRAWING

TITLE: **WIRING INSTL-TV/DVD**

SHEET 23 PART NO **180921** REV

19-Nov-2014

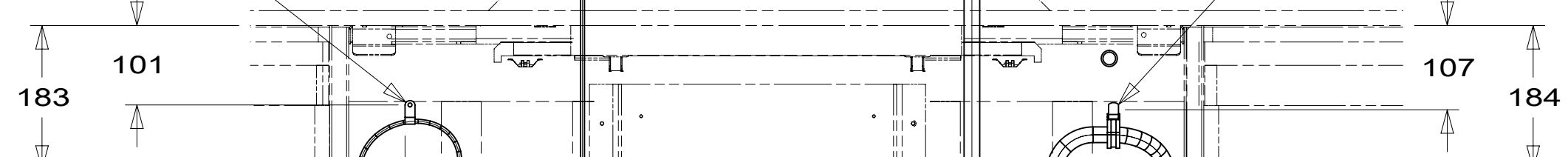
180921

WIRE TIE IS TO BE ROUTED THROUGH HOLE IN LOWER BRACKET AS SHOWN TO PROPERLY SUPPORT CABLE ASM (2) PLACES

CLAMP-CABLE 10495-01-000 (2) SCREW G11-08-16U (2)

TIE-WIRE 8343-04-000 (2)

CLAMP-CLOSED 10497-02-000 (2) SCREW G11-08-16U (2)



VIEW AAA

CLAMP-CABLE 10495-01-000 SCREW G11-08-16U

CROSSOVER COIL-SPEAKER 150140-02-000 CLAMP-CLOSED 10497-02-000 SCREW G67-08-08U CONNECTS TO 2 PIN HOUSING ON WIRE ASM-ROOF

TRANSMITTER-INFRARED,IMPACT 149750-11-000

RCP-2 (PUR-2) RIGHT COMPONENT

RCP-2 (PUR-2) SAT PREP

193 PLATE-WALL,ANT/CABLE/1 179004-02-CHT

PLATE-WALL, SATELLITE PREP 149557-09-CHT SCREW G67-10-08U (2)

19V GROMMET-EDGE LINER 114208-04-000 PLUG-PLASTIC 255 61420-15-000

GROMMET-EDGE LINER 114208-05-000

RCP-1 (PUR-2) HDMI

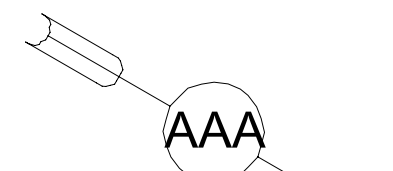
1DF SPLITTER-HD,VIDEO 168942-01-000 POWER SUPPLY 168942-02-00 SCREW G11-08-12U (4)

SPLITTER-TV,3 WAY 86756-02-000

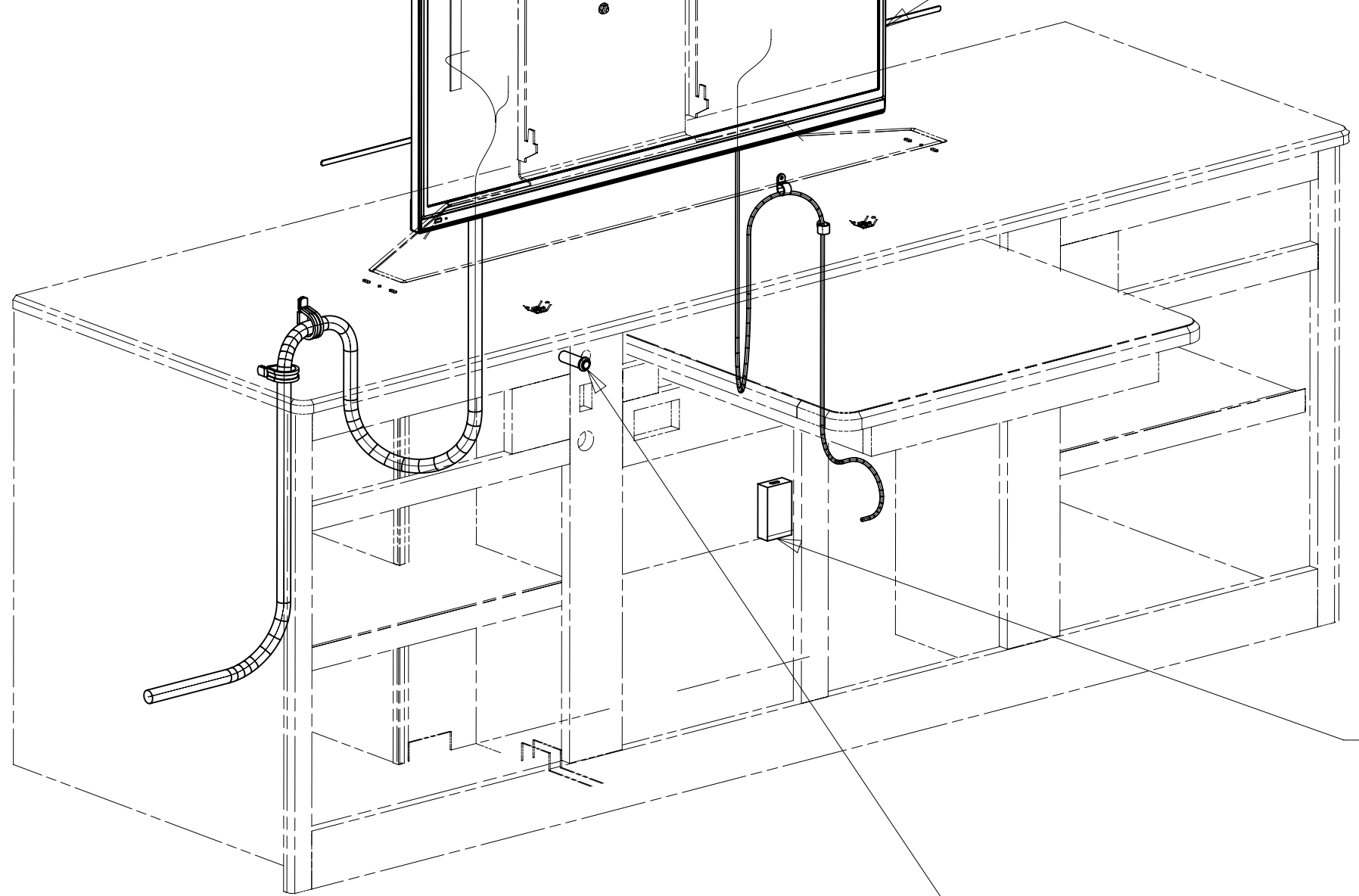
CONVERTER-HDMI/CAT6 (TRANSMITTER) 178304-02-000 DUAL LOCK 85774-01-000 (50 MM) (2) 85774-02-000 (50 MM) (2)

MODULE-INTERFACE,IR IMPACT 149750-09-000 WIRE ASM-EXTENSION,2 PIN 177836-01-000

CROSSOVER NETWORK BX-SPEAKER 150140-01-000 CONNECTS TO (2) 4 PIN HOUSINGS FROM WIRE ASM-ROOF

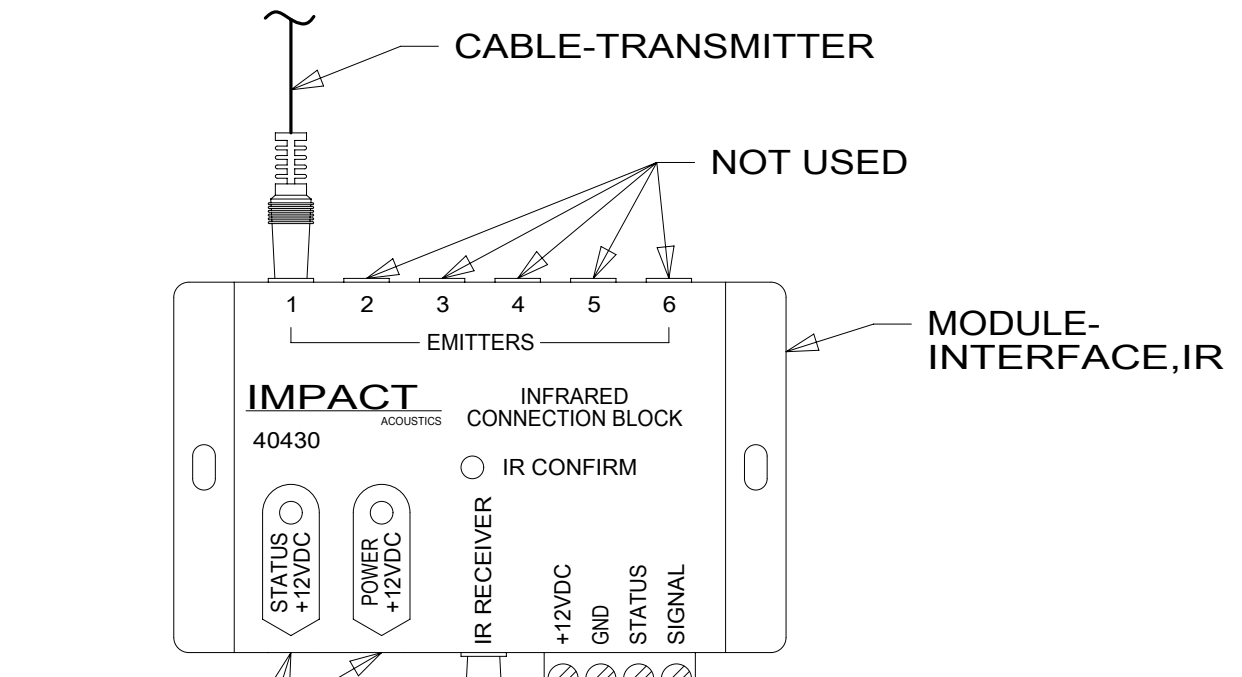


TV-39" FLAT PANEL ELED,HDTV 186601-01-000 SCREW (SUPPLIED W/TV) (TV TO BRACKET) BRACKET ASM-MOUNTING,TV 173816-14-CHT SCREW G39-10-12U (2) (TOP TUBE TO TV BRACKET) SCREW 000G39-08-12U (3) SUPPORT-MOUNTING,TV 172123-12-CHT SCREW 000G39-08-12U (3)

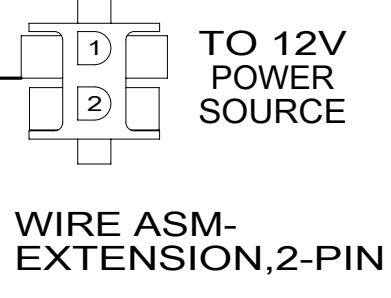


CONVERTER-HDMI/CAT6 (RECEIVER) DUAL LOCK 85774-01-000 (50 MM) (2) 85774-02-000 (50 MM) (2) TO SIDEWALL

RECEIVER-INFRARED,IMPACT 149750-13-000



DETAIL AAB



- 1DF EXT TV ENTERTAINMENT CENTER
- 19V RADIO-AM/FM STEREO CD PLAYER
- 255 RADIO-AM/FM/CD/DVD PLAYER
- 193 TV ANTENNA-AMPLIFIED SYSTEM
- 265 CODES/STANDARDS-CSA/CMVSS
- 1B1 CODES/STANDARDS USA

1B1 265 21R 1H5

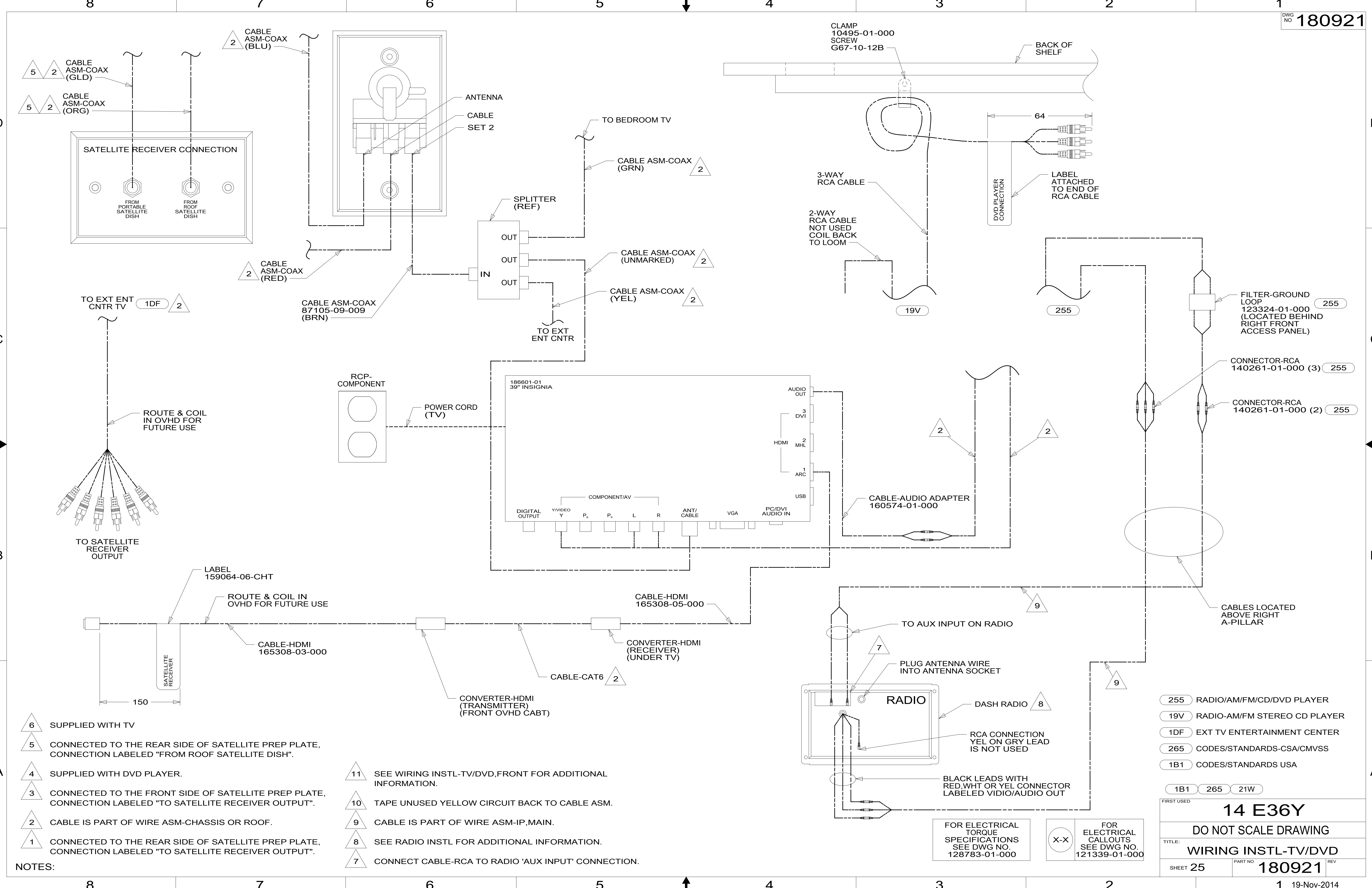
NOTES:
1 ROUTE 1 TRANSMITTER TO EACH SIDE AND COIL FOR FUTURE USE.

FOR ELECTRICAL TORQUE SPECIFICATIONS SEE DWG NO. 128783-01-000

FOR ELECTRICAL CALLOUTS SEE DWG NO. 121339-01-000

FIRST USED		14 E36Y	
DO NOT SCALE DRAWING			
TITLE: WIRING INSTL-TV/DVD			
SHEET 24	PART NO. 180921	REV	
		19-Nov-2014	

180921



- NOTES:**
- △6 SUPPLIED WITH TV
 - △5 CONNECTED TO THE REAR SIDE OF SATELLITE PREP PLATE, CONNECTION LABELED "FROM ROOF SATELLITE DISH".
 - △4 SUPPLIED WITH DVD PLAYER.
 - △3 CONNECTED TO THE FRONT SIDE OF SATELLITE PREP PLATE, CONNECTION LABELED "TO SATELLITE RECEIVER OUTPUT".
 - △2 CABLE IS PART OF WIRE ASM-CHASSIS OR ROOF.
 - △1 CONNECTED TO THE REAR SIDE OF SATELLITE PREP PLATE, CONNECTION LABELED "TO SATELLITE RECEIVER OUTPUT".

- △11 SEE WIRING INSTL-TV/DVD,FRONT FOR ADDITIONAL INFORMATION.
- △10 TAPE UNUSED YELLOW CIRCUIT BACK TO CABLE ASM.
- △9 CABLE IS PART OF WIRE ASM-IP,MAIN.
- △8 SEE RADIO INSTL FOR ADDITIONAL INFORMATION.
- △7 CONNECT CABLE-RCA TO RADIO 'AUX INPUT' CONNECTION.

- 255 RADIO/AM/FM/CD/DVD PLAYER
- 19V RADIO-AM/FM STEREO CD PLAYER
- 1DF EXT TV ENTERTAINMENT CENTER
- 265 CODES/STANDARDS-CSA/CMVSS
- 1B1 CODES/STANDARDS USA

FOR ELECTRICAL TORQUE SPECIFICATIONS SEE DWG NO. 128783-01-000

FOR ELECTRICAL CALLOUTS SEE DWG NO. 121339-01-000

FIRST USED

14 E36Y

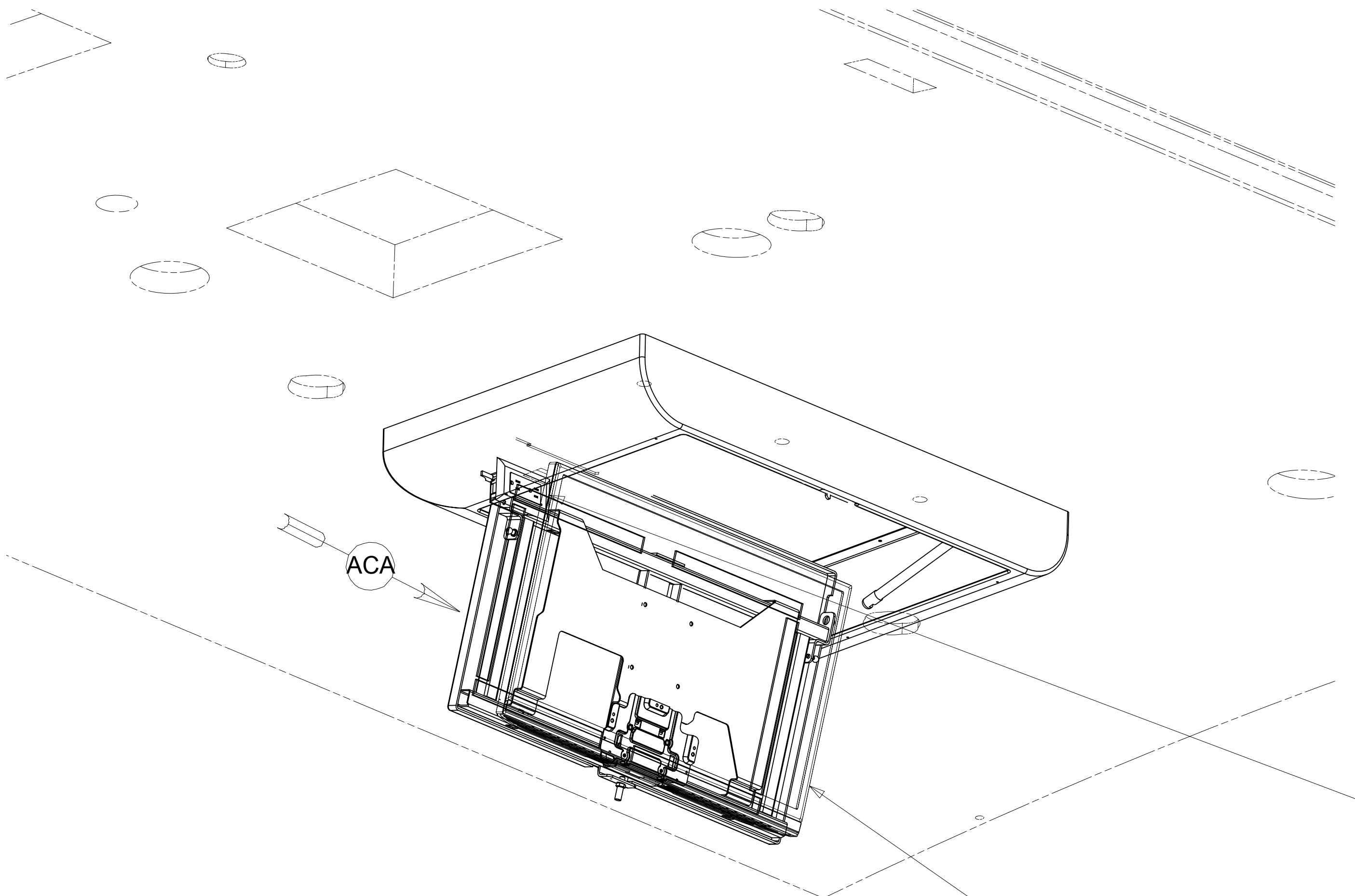
DO NOT SCALE DRAWING

TITLE: **WIRING INSTL-TV/DVD**

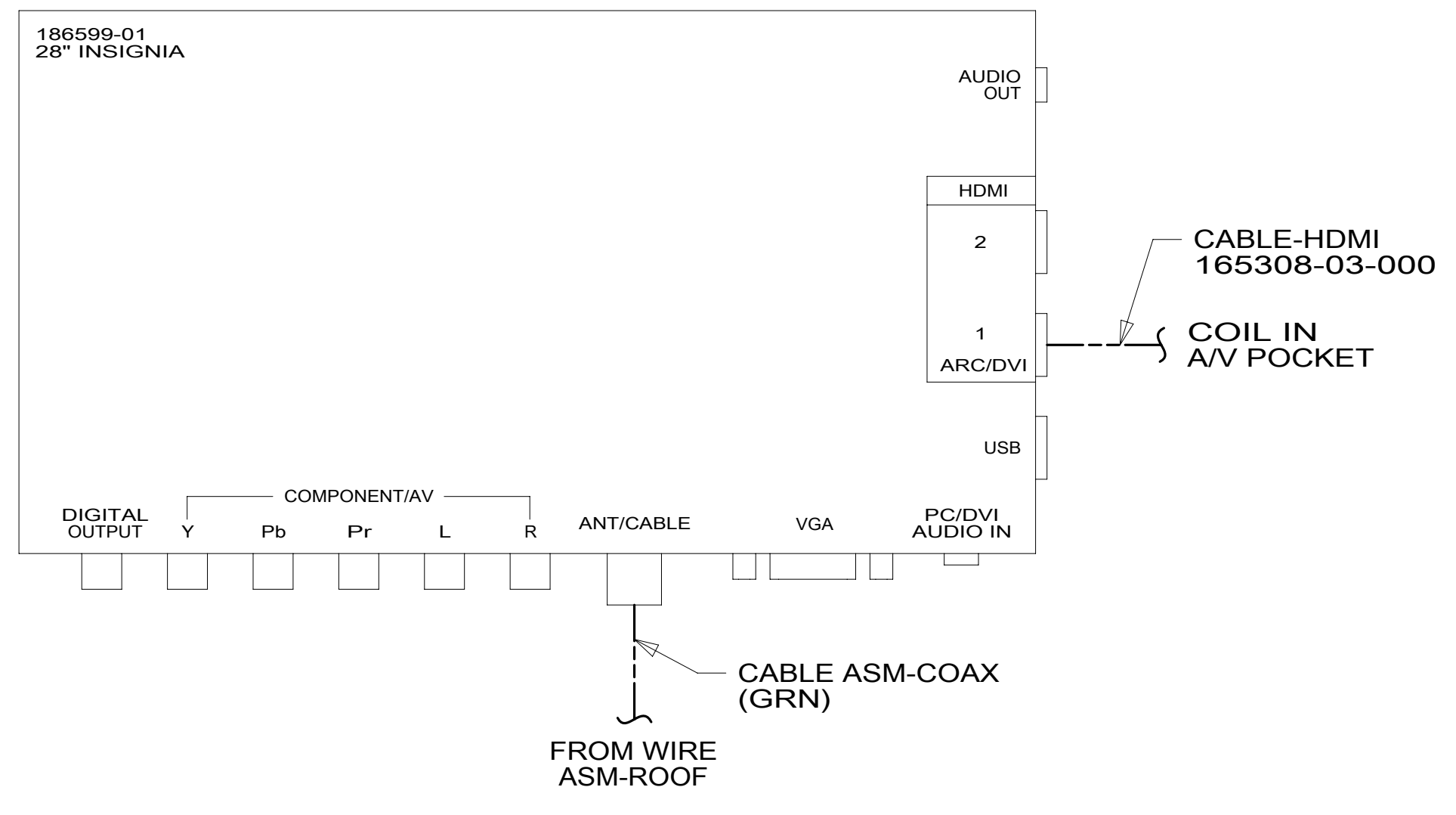
SHEET 25 PART NO **180921** REV

19-Nov-2014

180921



- TV-28", FLAT PANEL
186599-01-000
- SCREW-VESA
(SUPPLIED WITH TV)
- SCREW BASE
OMG02B-04-010 (2)
- BRACKET ASM-MOUNT, TV
186477-02-CHT
- NUT
D39-05-00U (4)
- FRAME ASM-TV
186033-01-XXX
- SCREW
G39-10-20U (18)
- COVER-TV, CEILING MOUNT
185986-01-CHT
- 185986-03-CHT
- SCREW
G39-08-12U (8)



VIEW ACA

265 CODES/STANDARDS-CSA/CMVSS

1B1 CODES/STANDARDS USA

1B1 265

FIRST USED	14 E36Y	
DO NOT SCALE DRAWING		
TITLE:	WIRING INSTL-TV/DVD	
SHEET 26	PART NO 180921	REV

FOR ELECTRICAL TORQUE SPECIFICATIONS SEE DWG NO. 128783-01-000

X-X FOR ELECTRICAL CALLOUTS SEE DWG NO. 121339-01-000

180921