



DANGER

Danger of electrical shock, burns or death. Always remove all power sources before attempting any repair, service or diagnostic work. Power can be present from shore power, generator, inverter or battery. All power sources must be disabled and secured before performing any service.



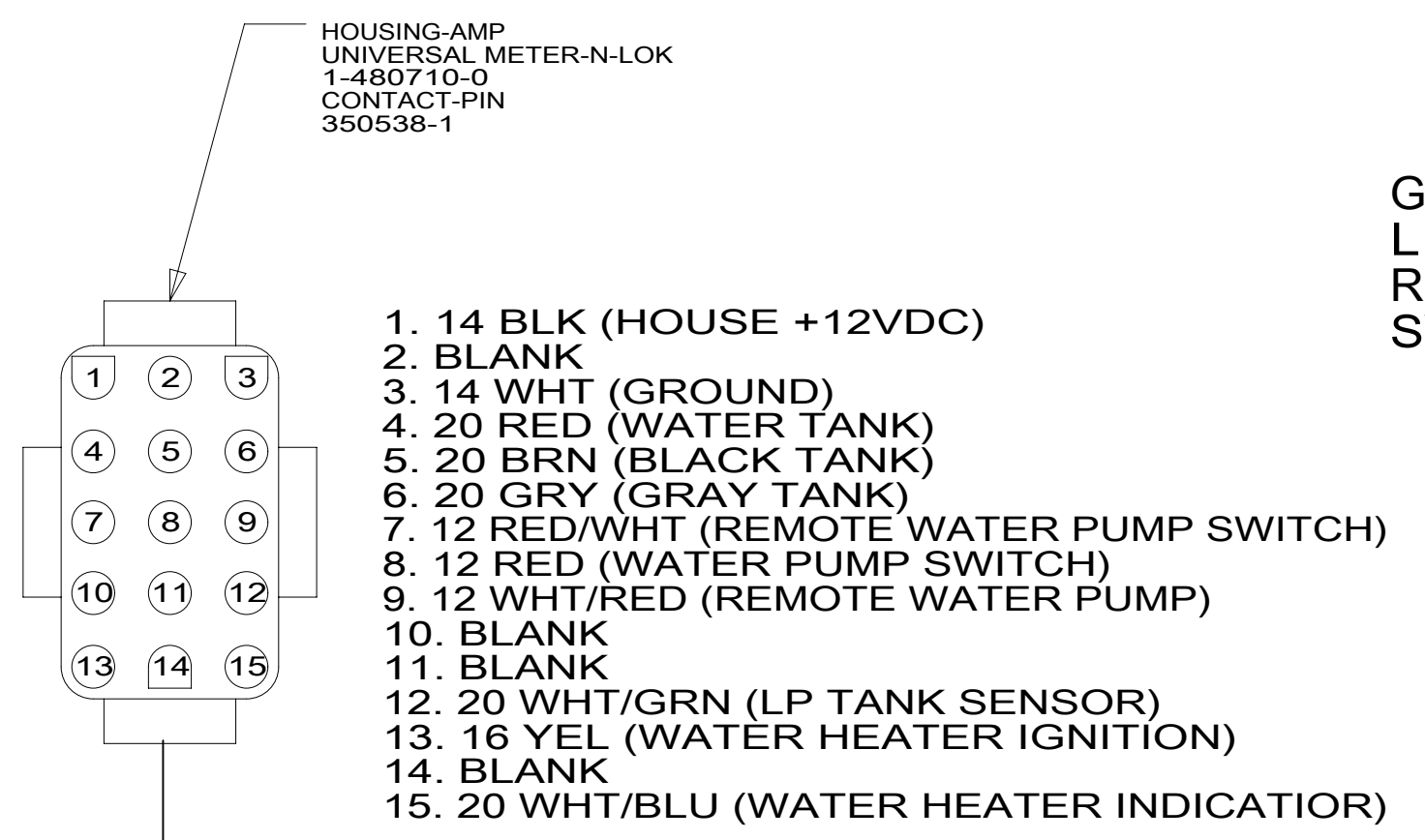
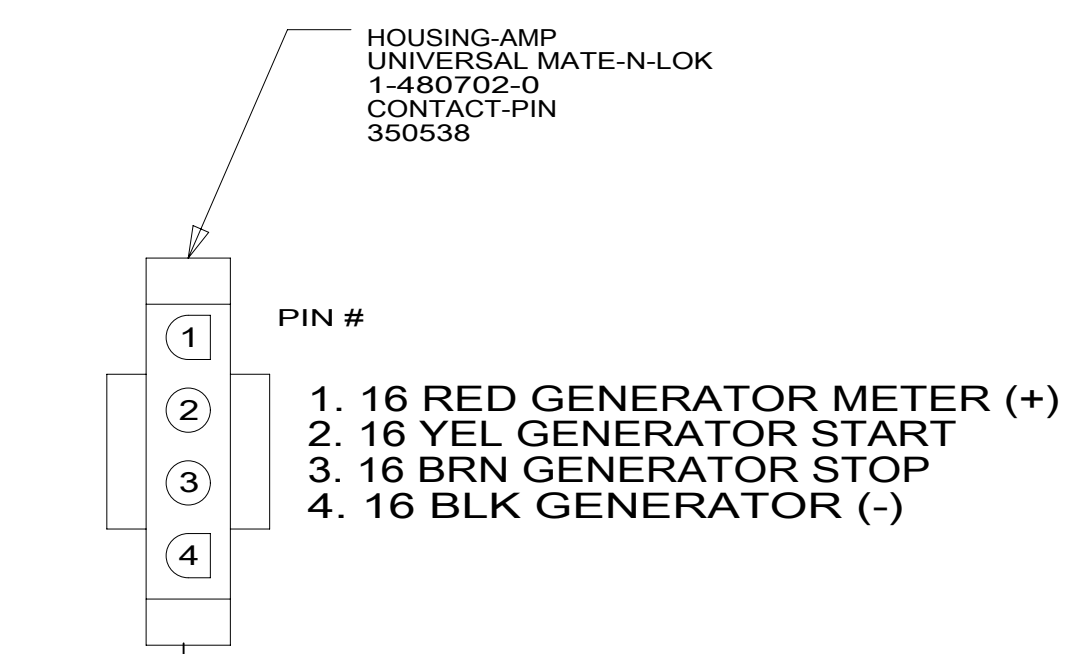
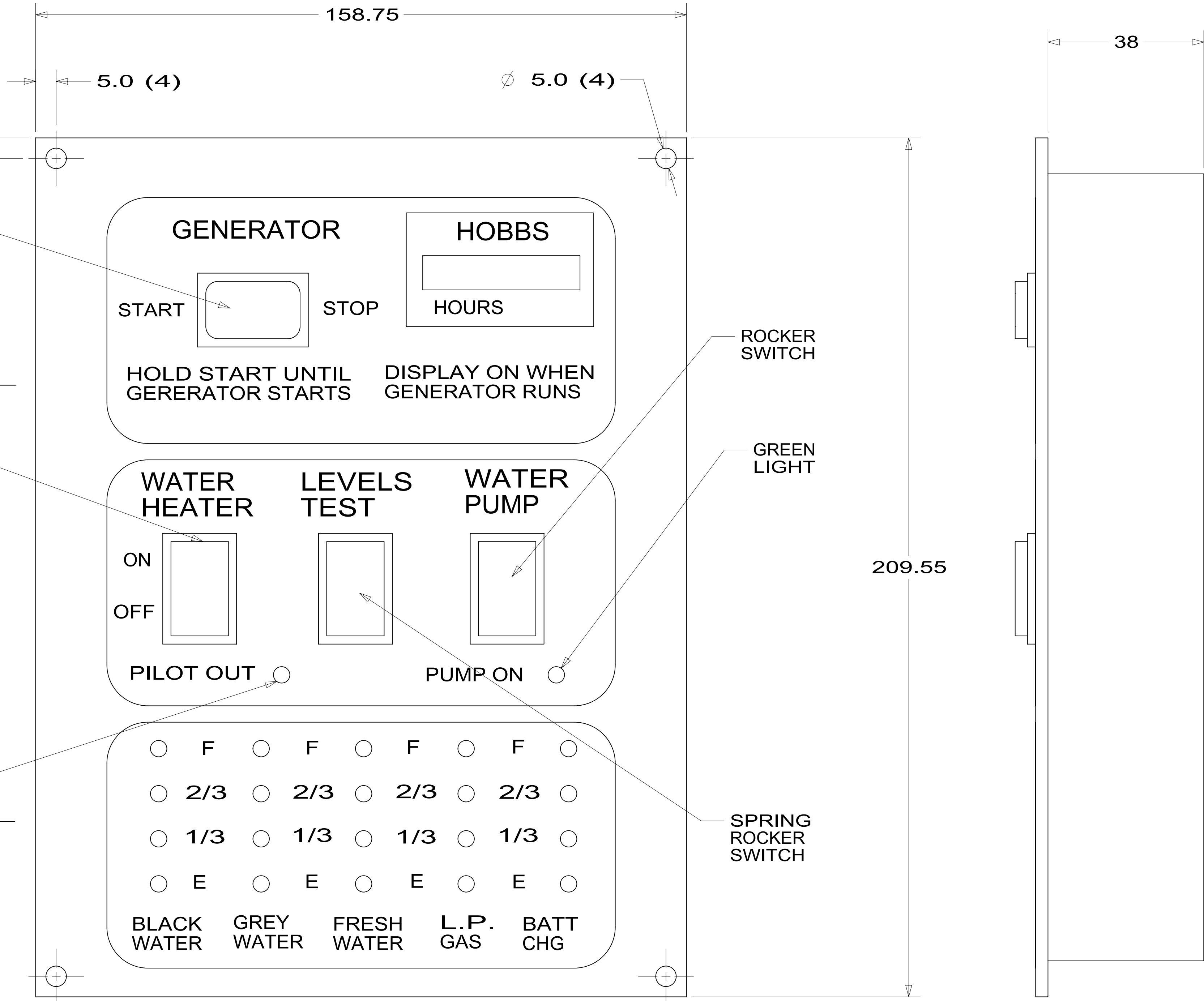
CAUTION

If you lack the skills, tools or equipment to perform diagnostic or repair work leave such work to an authorized Winnebago Industries dealer or other qualified shop.

DWG NO	W/GEN	SHEET	WEIGHT(LBS.)
134940-01	W/GEN	1	0.89
134940-02	W/O GEN	2	0.89
134940-03	SWITCH,METER,HARNESS	---	0.89
134940-04	W/G SOLAR	3	0.89
134940-05	W/GEN SWIT	4	0.89
134940-06	W/GEN/SEN	5,6	0.89
134940-07	W/O GEN/SE	7,8	0.89
134940-08	W/G SOL/SE	9,10	0.89
134940-09	W/G SW/SEN	11,12	0.89

DWG NO	W/O GEN/SEN	SHEET	WEIGHT(LBS.)
134940-10	W/O GEN/SEN	13,14	0.67

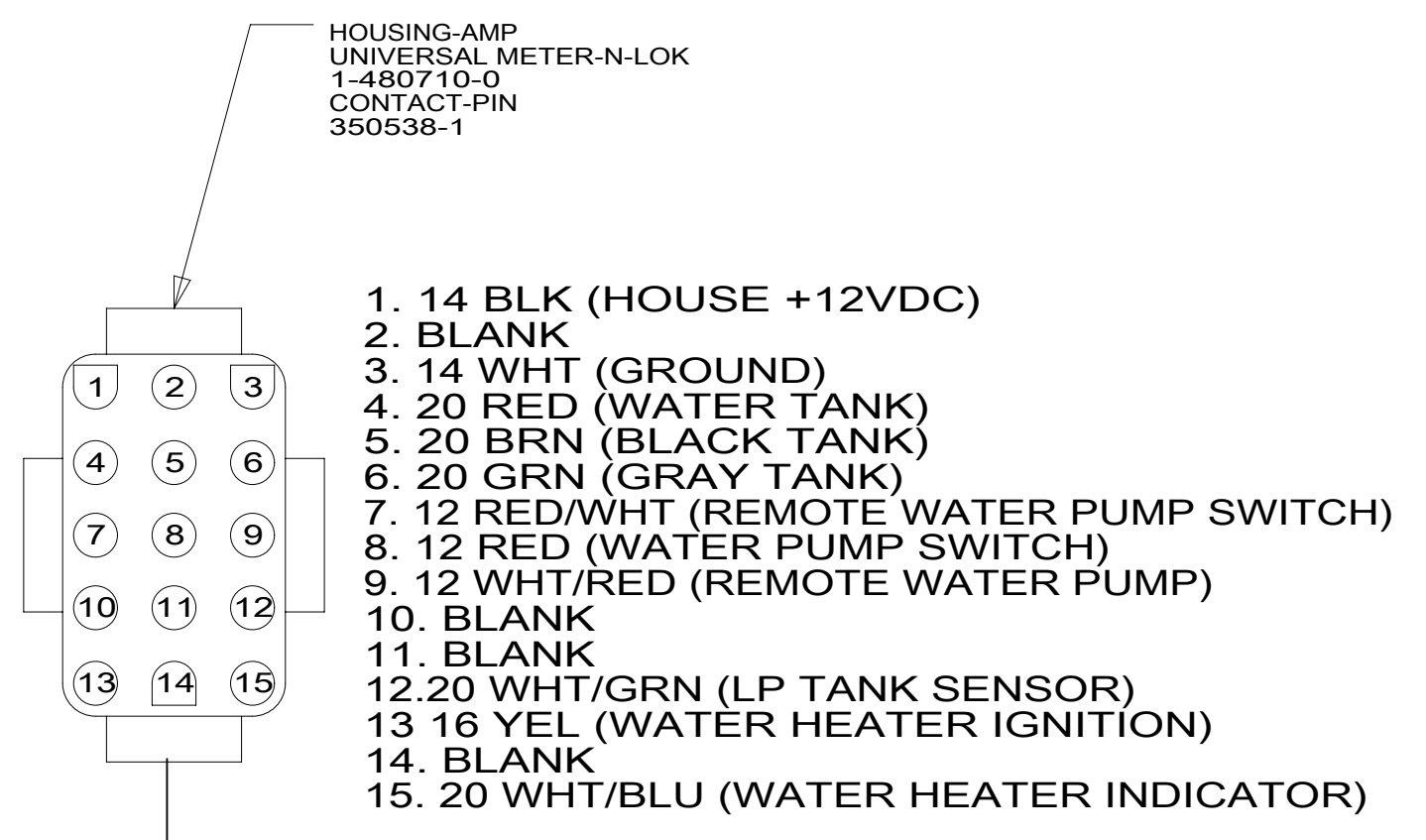
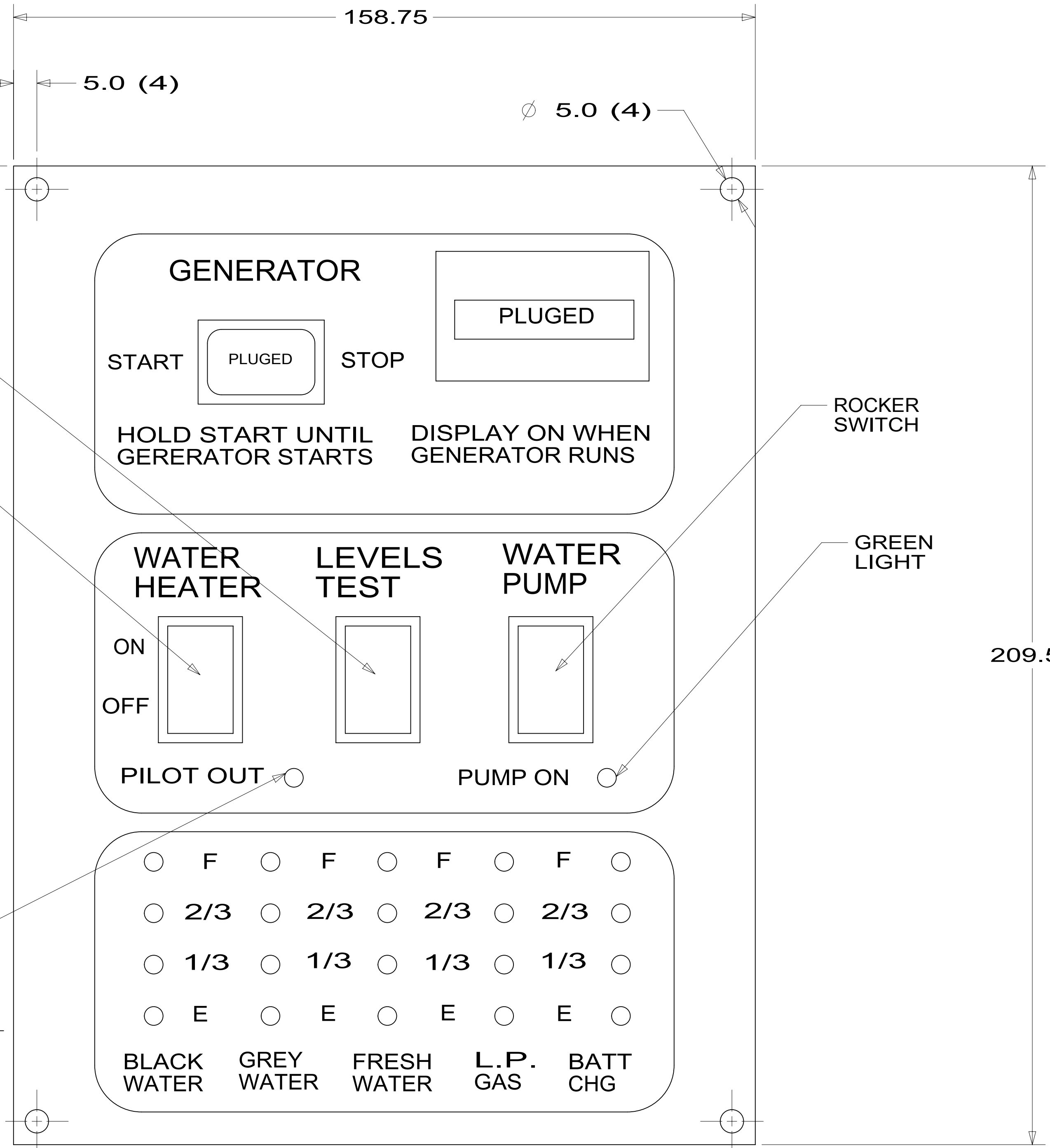
RELEASE	REV/DATE	DWG NO	134940
REV ZONE	REVISION RECORD	DATE	DFT-ORIG



- NOTES:
1. SUGGESTED VENDOR: VENTLINE.
 2. BLACK PANEL WITH WHITIE GRAPHICS.
 3. LETTERS ON MAIN HEADING TO BE 5MM HIGH.
 4. CUTOUT 130 X 192.
 5. SWITCH RATING SHALL BE EMBOSSED ON THE SIDE OF THE 12V SWITCHES.

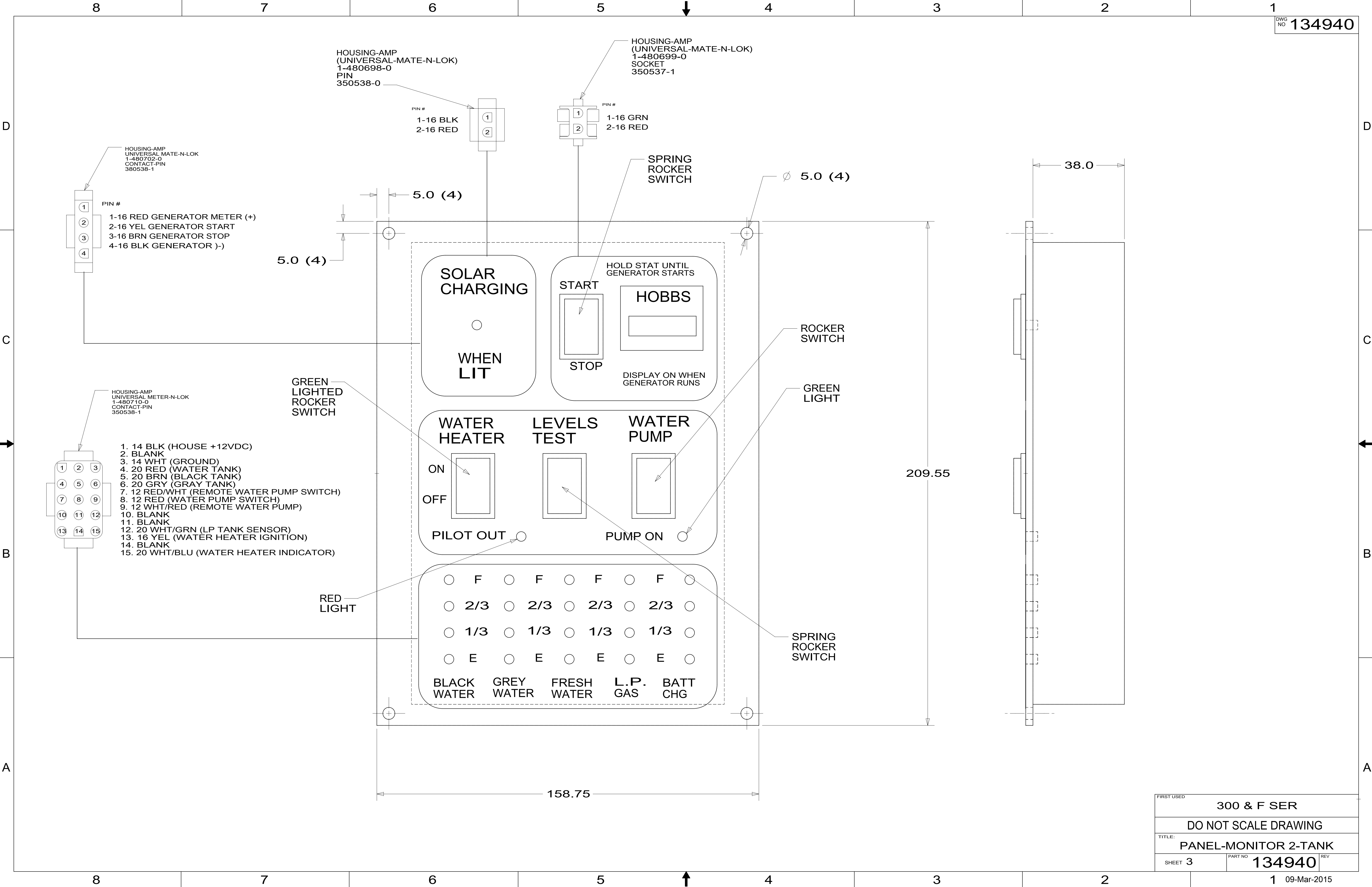
SEE CHART
FOR COLOR VARIATIONS OF THIS PART

WINNEBAGO COPYRIGHT 2014 WINNEBAGO INDUSTRIES, INC.	
DFT-ORIG	ORIG. DATE
CHKR	ALL DIMENSIONS ARE IN MILLIMETERS
P.E.	FIRST USED
M.E.	300 & F SER
DSNR	MATERIAL:
UNSPECIFIED TOLERANCES ARE:	
WHOLE DIM (X)	: 1
ONE-PLACE (X.X)	: 1.5
TWO-PLACE (X.XX)	: 0.50
ANGLE	: 1°
THIRD ANGLE PROJECTION	
DO NOT SCALE DRAWING	REFER TO ES0018 FOR FASTENER TIGHTENING GUIDELINES
TITLE: PANEL-MONITOR 2-TANK	
SHEET 1 OF 14	PART NO 134940
REF:	1 09-Mar-2015



- 1. 14 BLK (HOUSE +12VDC)
- 2. BLANK
- 3. 14 WHT (GROUND)
- 4. 20 RED (WATER TANK)
- 5. 20 BRN (BLACK TANK)
- 6. 20 GRN (GRAY TANK)
- 7. 12 RED/WHT (REMOTE WATER PUMP SWITCH)
- 8. 12 RED (WATER PUMP SWITCH)
- 9. 12 WHT/RED (REMOTE WATER PUMP)
- 10. BLANK
- 11. BLANK
- 12. 20 WHT/GRN (LP TANK SENSOR)
- 13. 16 YEL (WATER HEATER IGNITION)
- 14. BLANK
- 15. 20 WHT/BLU (WATER HEATER INDICATOR)

FIRST USED		
300 & F SER		
DO NOT SCALE DRAWING		
TITLE: PANEL-MONITOR 2-TANK		
SHEET 2	PART NO	REV
	134940	
1 09-Mar-2015		



HOUSING-AMP
(UNIVERSAL-MATE-N-LOK)
1-480698-0
PIN
350538-0

HOUSING-AMP
(UNIVERSAL-MATE-N-LOK)
1-480699-0
SOCKET
350537-1

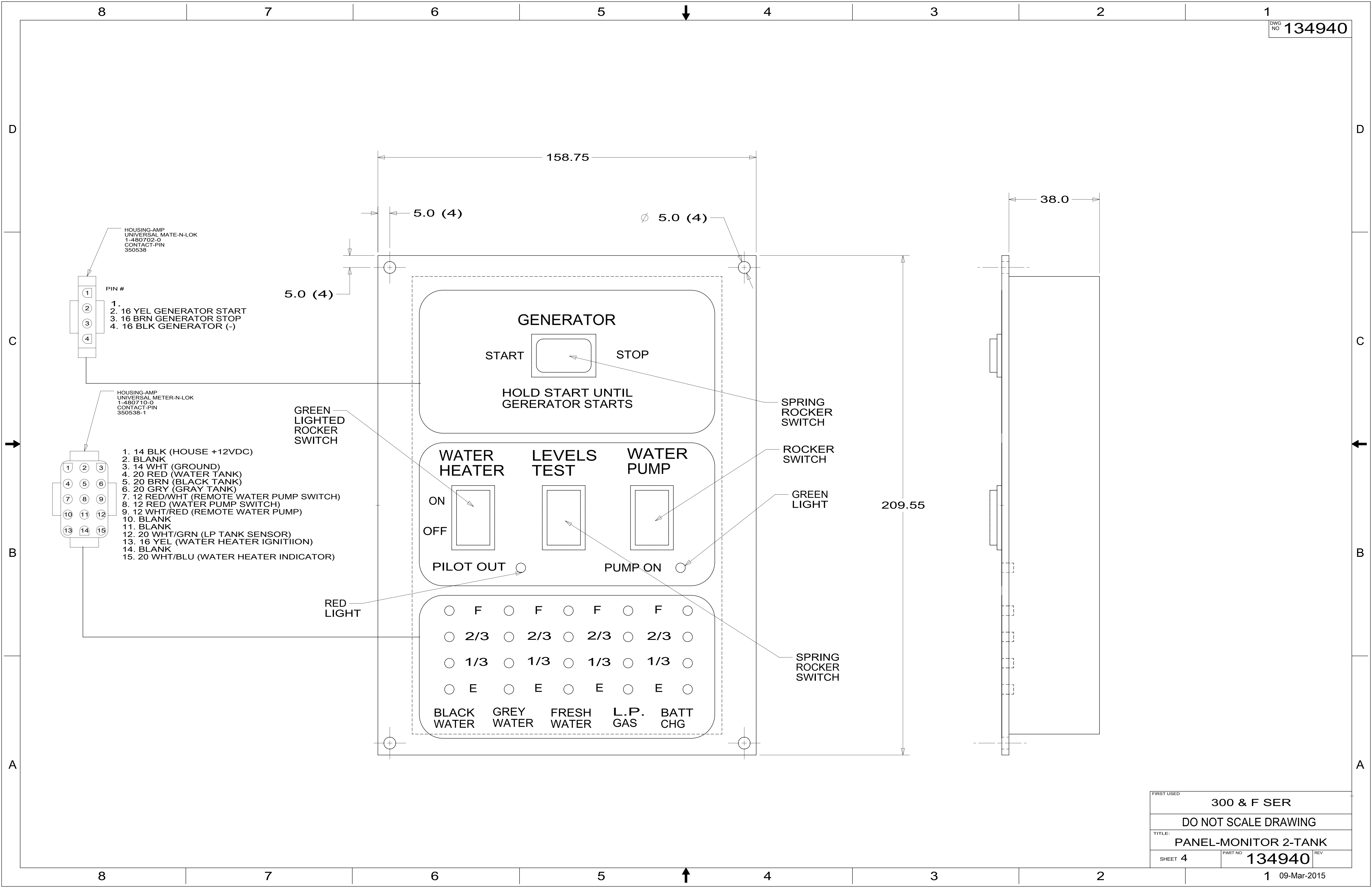
HOUSING-AMP
UNIVERSAL-MATE-N-LOK
1-480702-0
CONTACT-PIN
380538-1

PIN #
1-16 RED GENERATOR METER (+)
2-16 YEL GENERATOR START
3-16 BRN GENERATOR STOP
4-16 BLK GENERATOR -)

HOUSING-AMP
UNIVERSAL METER-N-LOK
1-480710-0
CONTACT-PIN
350538-1

1. 14 BLK (HOUSE +12VDC)
2. BLANK
3. 14 WHT (GROUND)
4. 20 RED (WATER TANK)
5. 20 BRN (BLACK TANK)
6. 20 GRN (GRAY TANK)
7. 12 RED/WHT (REMOTE WATER PUMP SWITCH)
8. 12 RED (WATER PUMP SWITCH)
9. 12 WHT/RED (REMOTE WATER PUMP)
10. BLANK
11. BLANK
12. 20 WHT/GRN (LP TANK SENSOR)
13. 16 YEL (WATER HEATER IGNITION)
14. BLANK
15. 20 WHT/BLU (WATER HEATER INDICATOR)

FIRST USED		
300 & F SER		
DO NOT SCALE DRAWING		
TITLE: PANEL-MONITOR 2-TANK		
SHEET 3	PART NO 134940	REV
1 09-Mar-2015		



8

7

6

5

4

3

2

1

D

D

C

C

B

B

A

A

158.75

5.0 (4)

∅ 5.0 (4)

38.0

209.55

HOUSING-AMP
UNIVERSAL MATE-N-LOK
1-480702-0
CONTACT-PIN
350538

PIN #

- 1. 16 YEL GENERATOR START
- 2. 16 BRN GENERATOR STOP
- 3. 16 BLK GENERATOR (-)

HOUSING-AMP
UNIVERSAL METER-N-LOK
1-480710-0
CONTACT-PIN
350538-1

- 1. 14 BLK (HOUSE +12VDC)
- 2. BLANK
- 3. 14 WHT (GROUND)
- 4. 20 RED (WATER TANK)
- 5. 20 BRN (BLACK TANK)
- 6. 20 GRN (GRAY TANK)
- 7. 12 RED/WHT (REMOTE WATER PUMP SWITCH)
- 8. 12 RED (WATER PUMP SWITCH)
- 9. 12 WHT/RED (REMOTE WATER PUMP)
- 10. BLANK
- 11. BLANK
- 12. 20 WHT/GRN (LP TANK SENSOR)
- 13. 16 YEL (WATER HEATER IGNITION)
- 14. BLANK
- 15. 20 WHT/BLU (WATER HEATER INDICATOR)

GENERATOR

START STOP

HOLD START UNTIL
GENERATOR STARTS

SPRING
ROCKER
SWITCH

GREEN
LIGHTED
ROCKER
SWITCH

ROCKER
SWITCH

WATER
HEATER

LEVELS
TEST

WATER
PUMP

GREEN
LIGHT

ON

OFF

PILOT OUT

PUMP ON

SPRING
ROCKER
SWITCH

RED
LIGHT

○	F	○	F	○	F	○	F	○
○	2/3	○	2/3	○	2/3	○	2/3	○
○	1/3	○	1/3	○	1/3	○	1/3	○
○	E	○	E	○	E	○	E	○

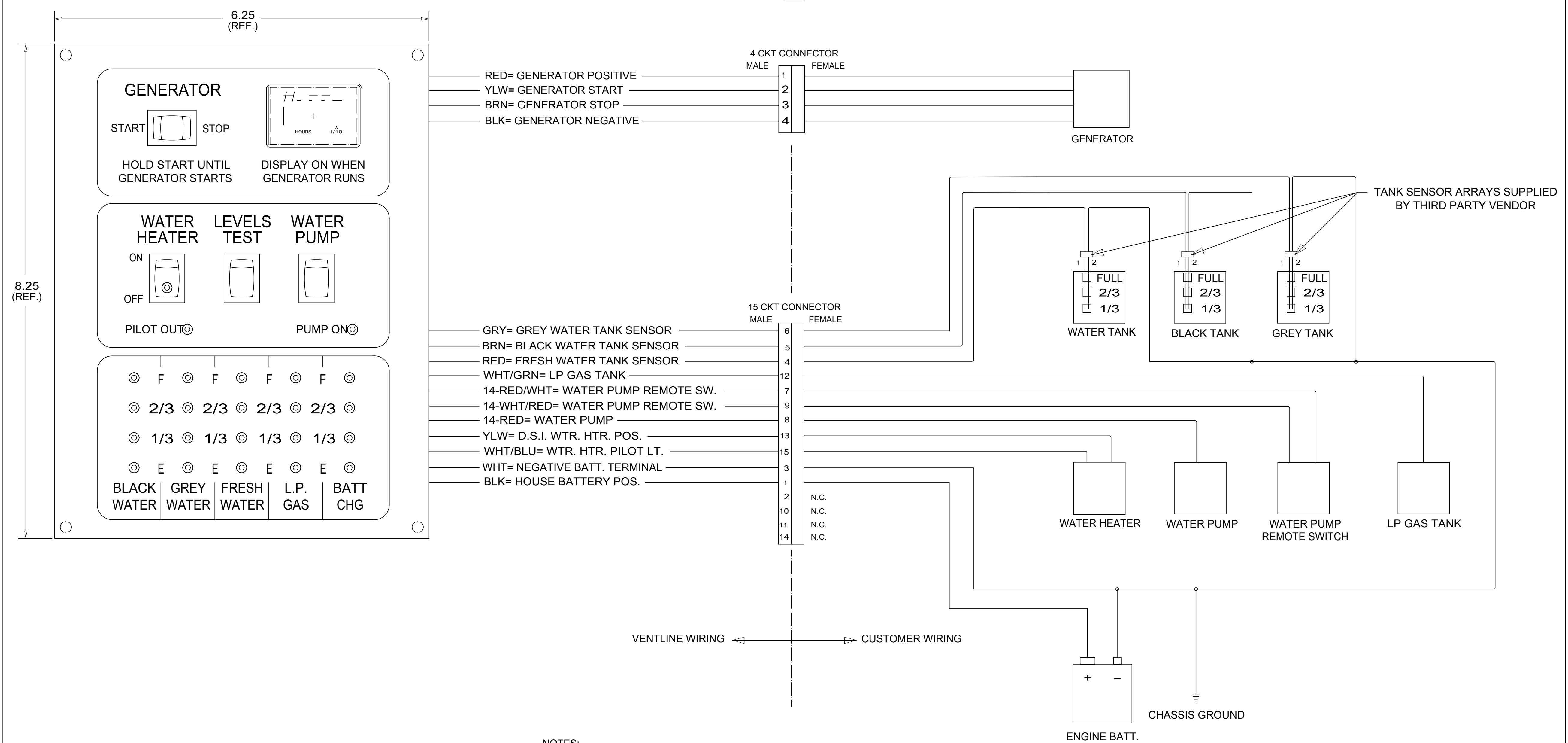
BLACK WATER	GREY WATER	FRESH WATER	L.P. GAS	BATT CHG
----------------	---------------	----------------	-------------	-------------

FIRST USED	300 & F SER		
DO NOT SCALE DRAWING			
TITLE: PANEL-MONITOR 2-TANK			
SHEET 4	PART NO	134940	REV
1 09-Mar-2015			

CONFIDENTIAL
THIS DOCUMENT, INCLUDING ALL INFORMATION CONTAINED HEREIN, IS THE EXCLUSIVE AND CONFIDENTIAL PROPERTY OF VENTLINE DIVISION OF TOMKINS INDUSTRIES, INC. THE DOCUMENT AND INFORMATION ARE NOT TO BE COPIED, REPRODUCED OR DELIVERED TO OTHERS, IN WHOLE OR IN PART, WITHOUT THE EXPRESS WRITTEN PERMISSION OF VENTLINE. THE DOCUMENT IS TO BE RETURNED PROMPTLY TO VENTLINE AFTER HAVING SERVED THE PURPOSE FOR WHICH DELIVERED.
© 1995 VENTLINE DIVISION, TOMKINS INDUSTRIES, INC.
All Rights Reserved, including the right to reproduce this document or any part thereof

LTR.	DESCRIPTION	DATE	CHG BY	CHK BY
REL	RELEASED TO PURCHASING & PRODUCTION. ECN 16261	12/3/03	MPR	MPR
A	SEE SHEET 2 ECN 16381	4-6-04	RJL	RJL
A	SEE SHEET 2 ECN 16394	4-21-04	RJL	RJL

LA1071-00
PAGE 1 OF 2



- NOTES:**
1. UNLESS OTHERWISE SPECIFIED ALL WIRE IS 22 AWG.
 2. REF. DWG'S:
 - GENERATOR HARNESS= L7751-00
 - INTERNAL & SWITCH HARNESS= L7752-00
 - PCB= L5131-02
 - TEST HARNESS= L7753-00
 - TEST BOX= L8506-00
 3. ALL PIGTAILS TO BE SUPPLIED BY CUSTOMER.
 4. BEFORE PACKING, SECURE HARNESS WITH VD0169-00 TIE WRAP ON RIGHT SIDE POST.

PART NO.	REQ'D	MATERIAL	DESCRIPTION	DWG SIZE

BLANK SIZE	USED ON	WINNEBAGO
DRAWN DATE	MATERIAL	PHILIPS IND. INC. VENTLINE DIVISION BRISTOL, INDIANA 46507
MPR 12/3/03	SEE BOM PAGE 2	
CHECKED DATE	NAME	SCALE: NONE
MPR 12/3/03		
APPV'D DATE		

FUNCTION DRAWING MONITOR PANEL

ENGLISH (TOLERANCE UNLESS SPECIFIED)
 0 PL.: .040 1 PL.: .020
 2 PL.: .010 3 PL.: .005
 FRACTIONS : 1/64

DWG. NO. LA1071-00
 PAGE 1 OF 2

FIRST USED

05 D SEIRES

DO NOT SCALE DRAWING

TITLE: PANEL-MONITOR

SHEET 5

PART NO 134940

REV

1 09-Mar-2015

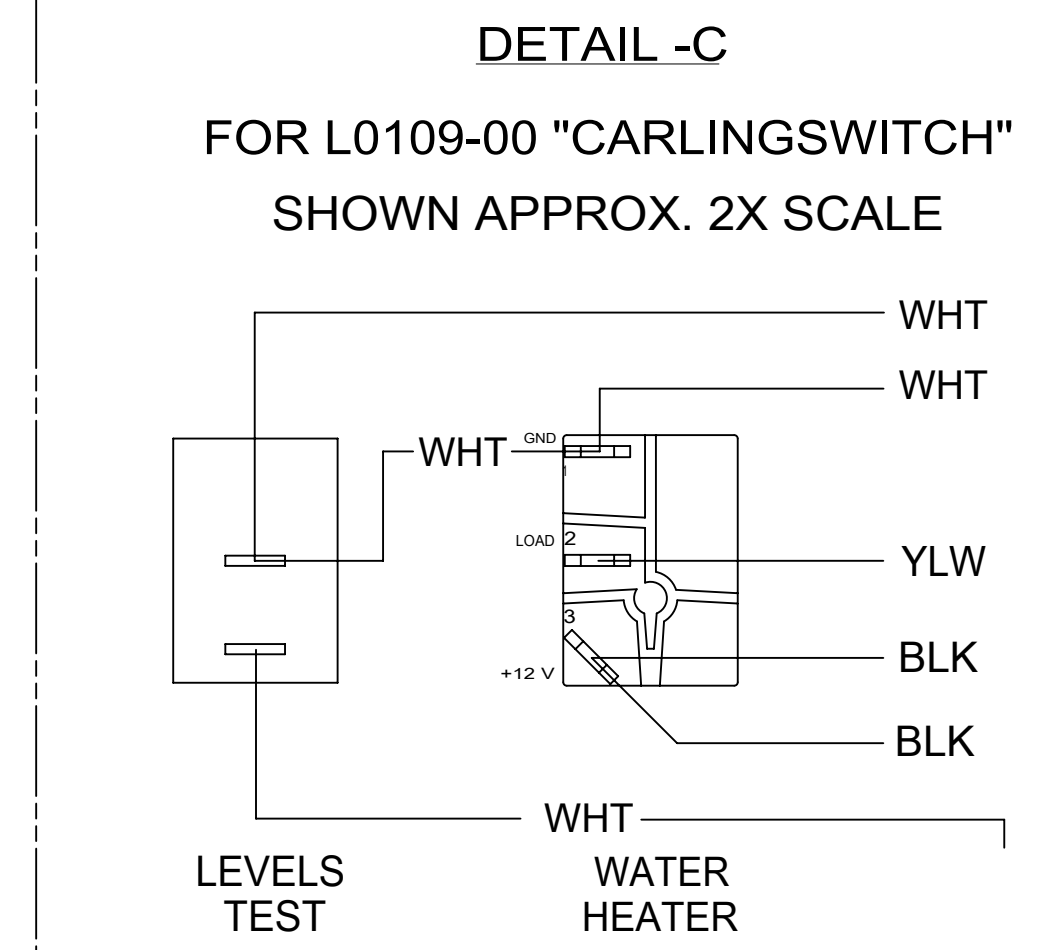
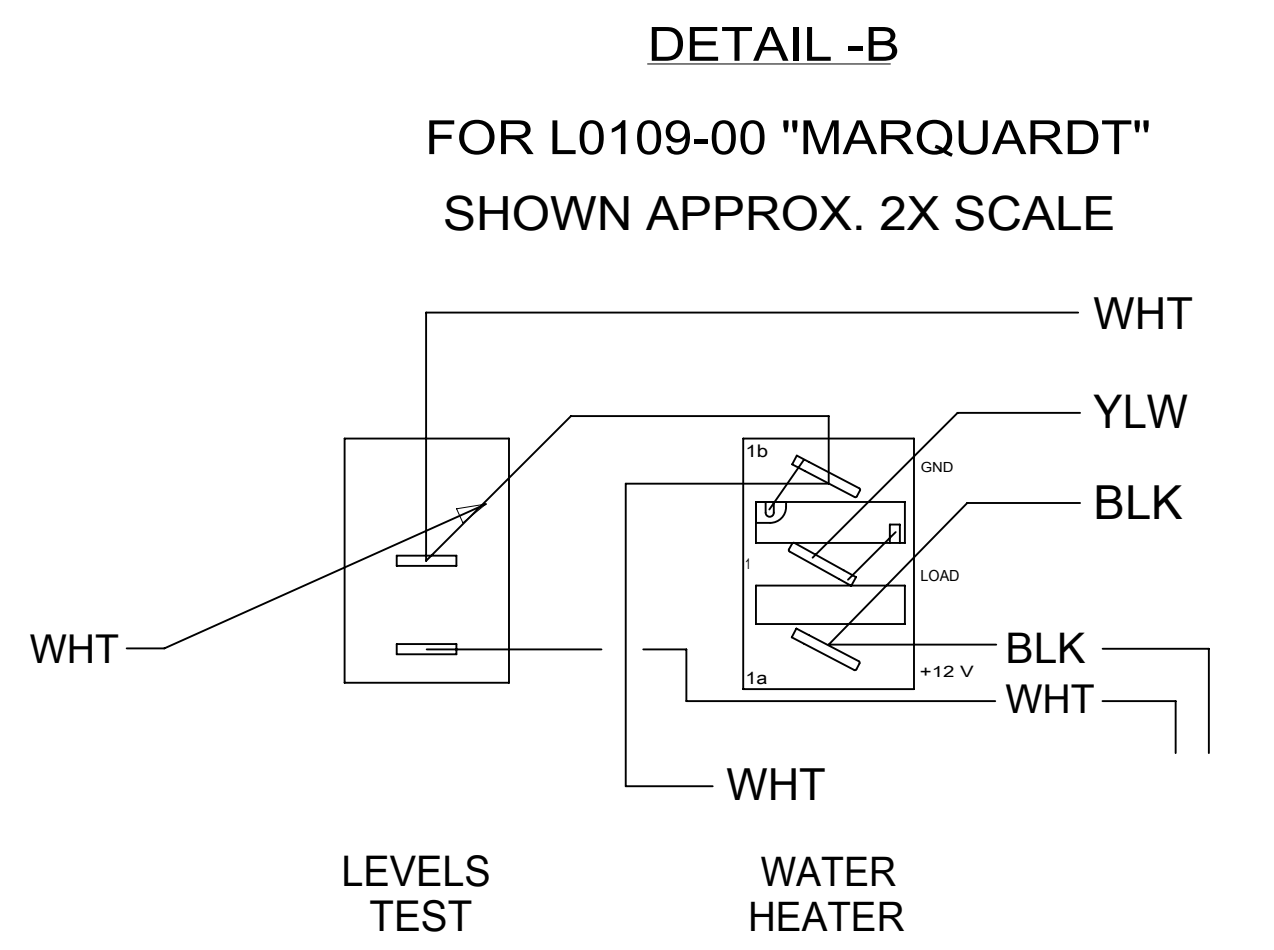
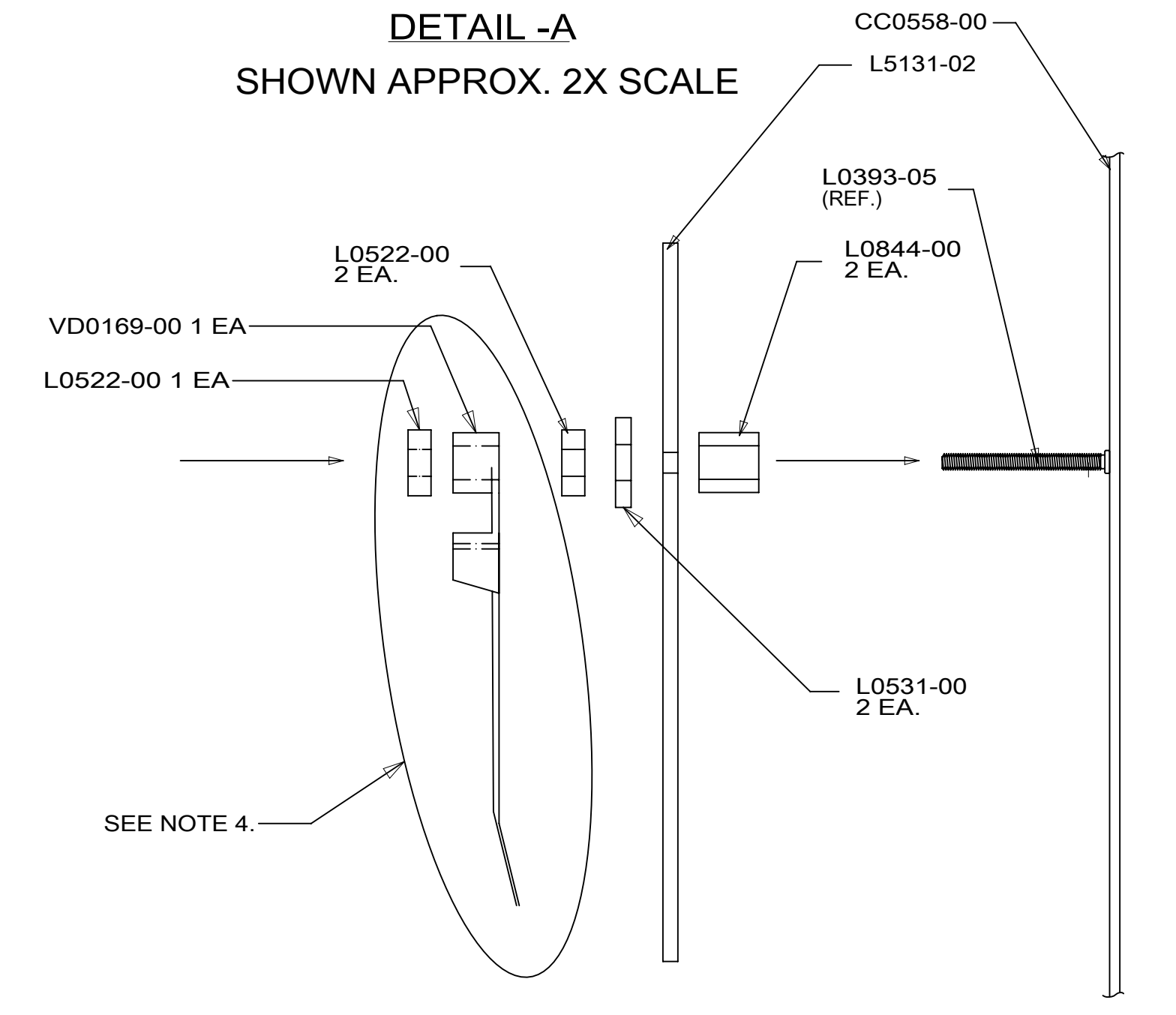
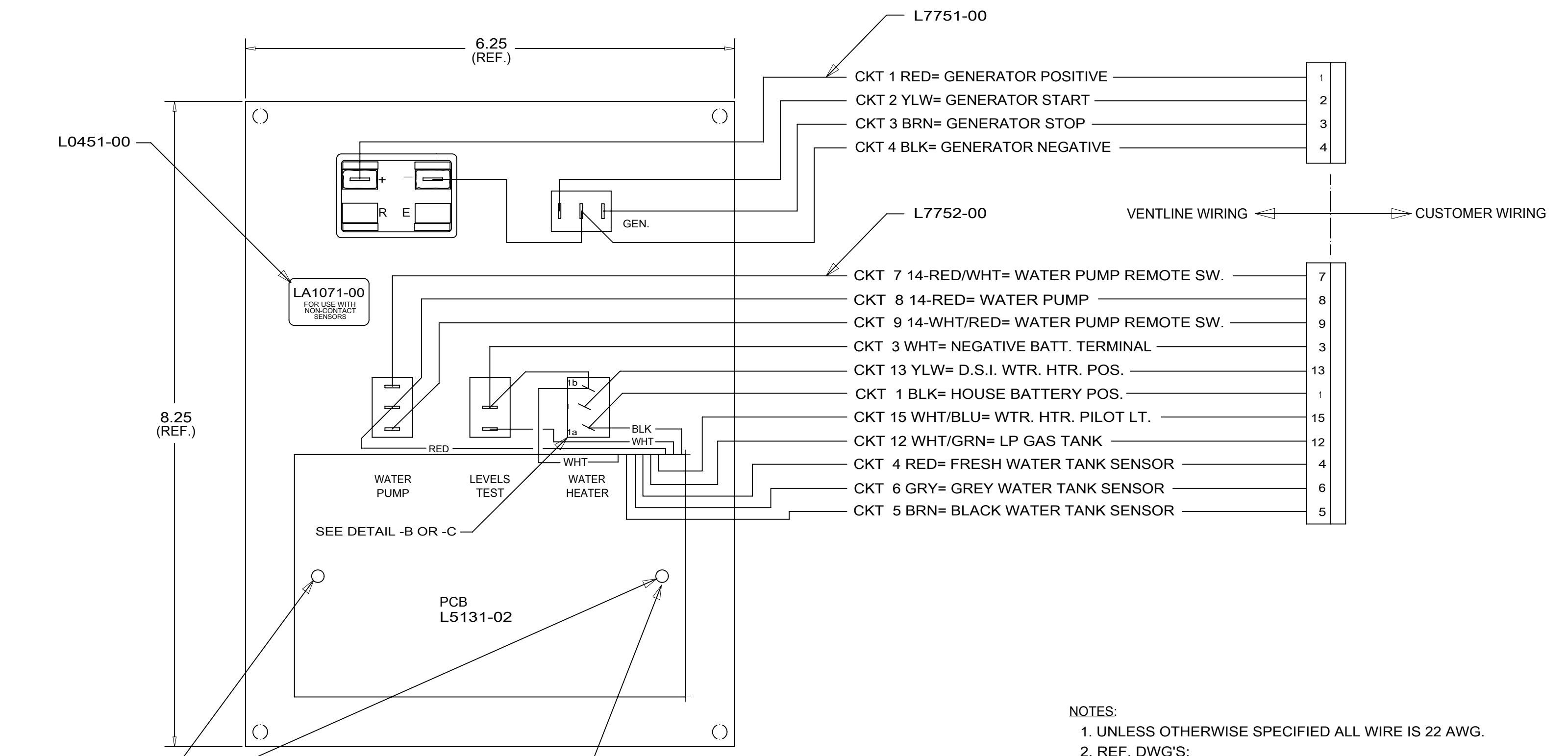
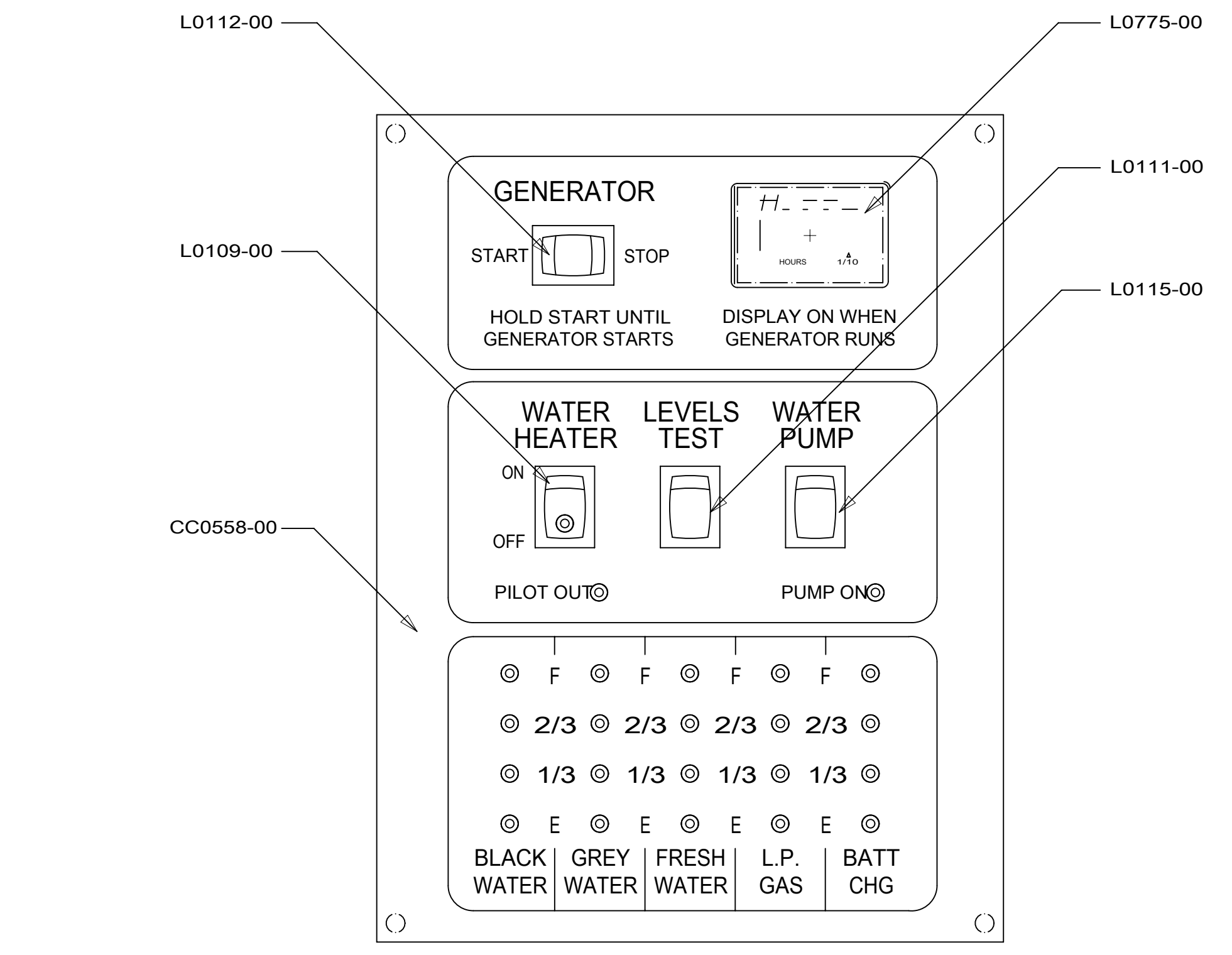
CONFIDENTIAL
 THIS DOCUMENT, INCLUDING ALL INFORMATION CONTAINED HEREIN, IS THE EXCLUSIVE
 AND CONFIDENTIAL PROPERTY OF VENTLINE DIVISION OF TOMKINS INDUSTRIES, INC.
 THE DOCUMENT AND INFORMATION ARE NOT TO BE COPIED, REPRODUCED OR DELIVERED
 TO OTHERS, IN WHOLE OR IN PART, WITHOUT THE EXPRESS WRITTEN PERMISSION OF
 VENTLINE. THE DOCUMENT IS TO BE RETURNED PROMPTLY TO VENTLINE AFTER HAVING
 SERVED THE PURPOSE FOR WHICH DELIVERED.
 © 1995 VENTLINE DIVISION, TOMKINS INDUSTRIES, INC.
 All Rights Reserved, including the right to reproduce this document or any part thereof

LA1071-00
 PAGE 2 OF 2

LA1071-00
 FOR USE WITH
 NON-CONTACT
 SENSORS
 (MFG DATE)

PRODUCT LABEL
 PRINTING DETAIL
 NO SCALE

LTR	DESCRIPTION	DATE	CHK BY	CHK BY
REL	RELEASED TO PURCHASING & PRODUCTION, ECN 16261	12/3/03	MPR	MPR
A	ADDED LABEL DETAIL ECN 16381	4-6-04	RJL	RJL
B	L5131-02 WAS L5118-02 ECN 16394	4-21-04	RJL	RJL



- NOTES:
- UNLESS OTHERWISE SPECIFIED ALL WIRE IS 22 AWG.
 - REF. DWG'S:
 GENERATOR HARNESS= L7751-00
 INTERNAL & SWITCH HARNESS= L7752-00
 PCB= L5131-02
 TEST HARNESS= L7753-00
 TEST BOX= L8506-00
 - ALL PIGTAILS TO BE SUPPLIED BY CUSTOMER.
 - BEFORE PACKING, SECURE HARNESS WITH VD0169-00 TIE WRAP ON RIGHT SIDE POST.

PART NO.	REQD	MATERIAL	DESCRIPTION	DWG SIZE
VD0169-00	1		TIE WRAP	
L7752-00	1		HARNESS, INTERNAL & SWITCH	
L7751-00	1		HARNESS, GENERATOR	
L5131-02	1		PCB	
L0775-00	1		HOBBS HOUR METER	
L0531-00	2		FIBER WASHER	
L0522-00	3		HEX NUT, 6-32	
L0451-00	1		LABEL - SEE PRINTING DETAIL ABOVE	
L0844-00	2		PCB SPACER	
L0115-00	1		SWITCH, SPDT ON-ON, BLK	
L0112-00	1		SWITCH, SPDT (ON)-OFF-(ON), BLK	
L0111-00	1		SWITCH, SPST MOM. (ON)-OFF, BLK	
L0109-00	1		SWITCH, SPST ON-OFF, BLK, GRN LT.	
CC0558-00	1		SILKSCREENED CHASSIS	

BLANK SIZE	USED ON	WINNEBAGO
DRAWN DATE	MATERIAL	SEE BOM PAGE 2
MPR 11/20/03		
CHECKED DATE	NAME	SCALE: NONE
MPR 11/20/03		
APPVD DATE		

ENGLISH (TOLERANCE UNLESS SPECIFIED)
 0 PL.: .040 1 PL.: .020
 2 PL.: .010 3 PL.: .005
 FRACTIONS : 1/64

FUNCTION DRAWING, MONITOR PANEL
 DWG. NO. LA1071-00
 PAGE 2 OF 2

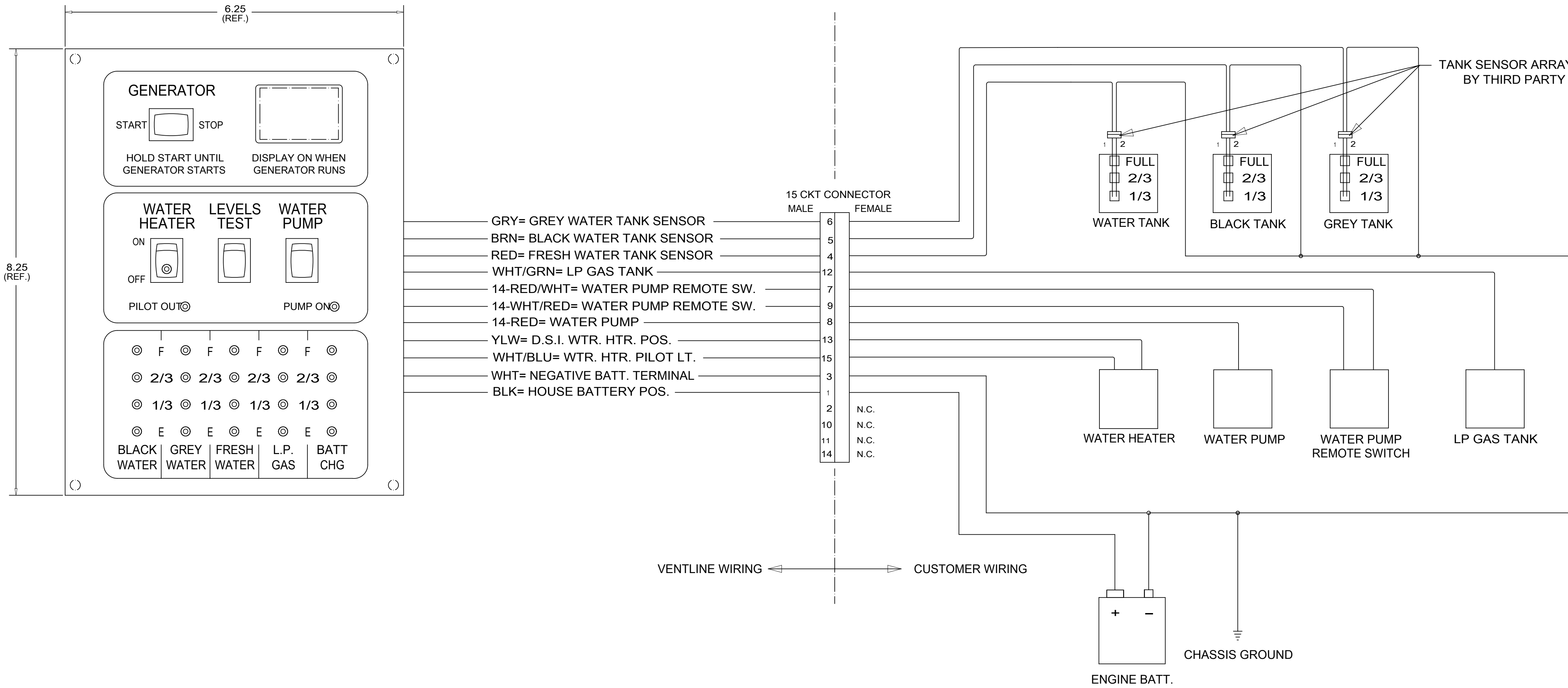
FIRST USED	05 D SEIRES
TITLE:	DO NOT SCALE DRAWING
	PANEL-MONITOR
SHEET 6	PART NO 134940 REV
	1 09-Mar-2015

CONFIDENTIAL
THIS DOCUMENT, INCLUDING ALL INFORMATION CONTAINED HEREIN, IS THE EXCLUSIVE AND CONFIDENTIAL PROPERTY OF VENTLINE DIVISION OF TOMKINS INDUSTRIES, INC. THE DOCUMENT AND INFORMATION ARE NOT TO BE COPIED, REPRODUCED OR DELIVERED TO OTHERS, IN WHOLE OR IN PART, WITHOUT THE EXPRESS WRITTEN PERMISSION OF VENTLINE. THE DOCUMENT IS TO BE RETURNED PROMPTLY TO VENTLINE AFTER HAVING SERVED THE PURPOSE FOR WHICH DELIVERED.

©1996 VENTLINE DIVISION, TOMKINS INDUSTRIES, INC.
All Rights Reserved, including the right to reproduce this document or any part thereof.

LTR.	DESCRIPTION	DATE	CHK BY	CHK BY
REL	RELEASED TO PURCHASING & PRODUCTION ECN 16281	12/3/03	MPR	MPR
A	SEE SHEET 2 ECN 16381	4-6-04	RJL	RJL
B	L5131-02 WAS L5118-02 ECN 16394	4-21-04	RJL	RJL

LA1073-00
PAGE 1 OF 2



- NOTES:
- UNLESS OTHERWISE SPECIFIED ALL WIRE IS 22 AWG.
 - REF. DWG: S:
HARNESS, INTERNAL & SWITCH= L7752-00
PCB= L5131-02
HARNESS, TEST= L7753-00
TEST BOX= L8506-00
 - ALL PIGTAILS TO BE SUPPLIED BY CUSTOMER.
 - BEFORE PACKING, SECURE HARNESS WITH VD0169-00 TIE WRAP ON RIGHT SIDE POST.

ENGLISH (TOLERANCE UNLESS SPECIFIED)
0 PL.: .040 1 PL.: .020
2 PL.: .010 3 PL.: .005
FRACTIONS: 1/64

PART NO.	REQ'D	MATERIAL	DESCRIPTION	DWG SIZE
BLANK SIZE				
DRAWN DATE MATERIAL USED ON WINNEBAGO				
MPR 11/21/03	SEE BOM PAGE 2	PHILIPS IND. INC. VENTLINE DIVISION BRISTOL, INDIANA 46507		
CHECKED DATE NAME	SCALE: NONE			
MPR 11/21/03	FUNCTION DRAWING, MONITOR PANEL			DWG. NO. PAGE 1 OF 2 LA1073-00
APPV'D DATE				

FIRST USED	05 D SERIES
DO NOT SCALE DRAWING	
TITLE:	PANEL-MONITOR
SHEET 7	PART NO 134940 REV

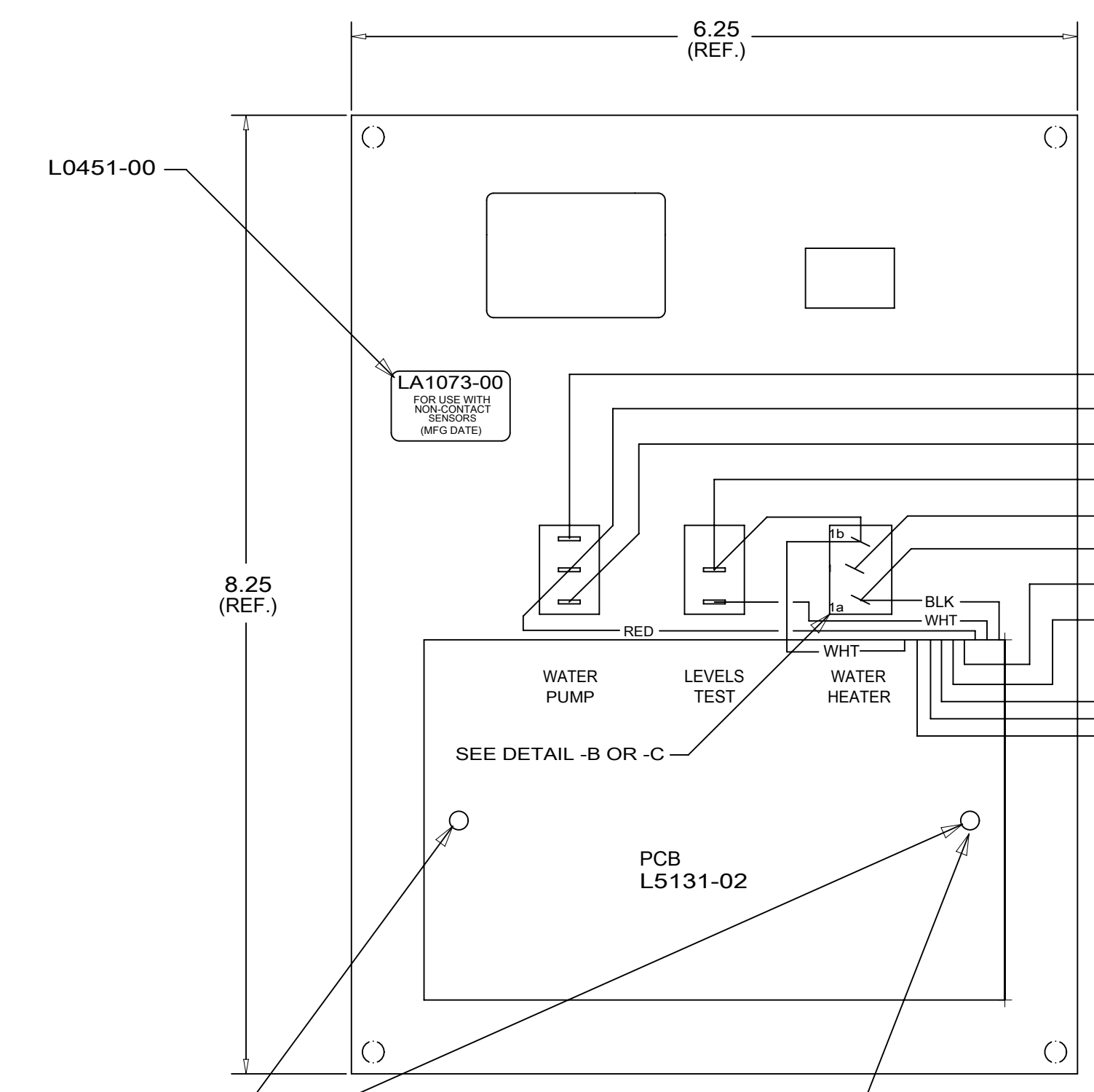
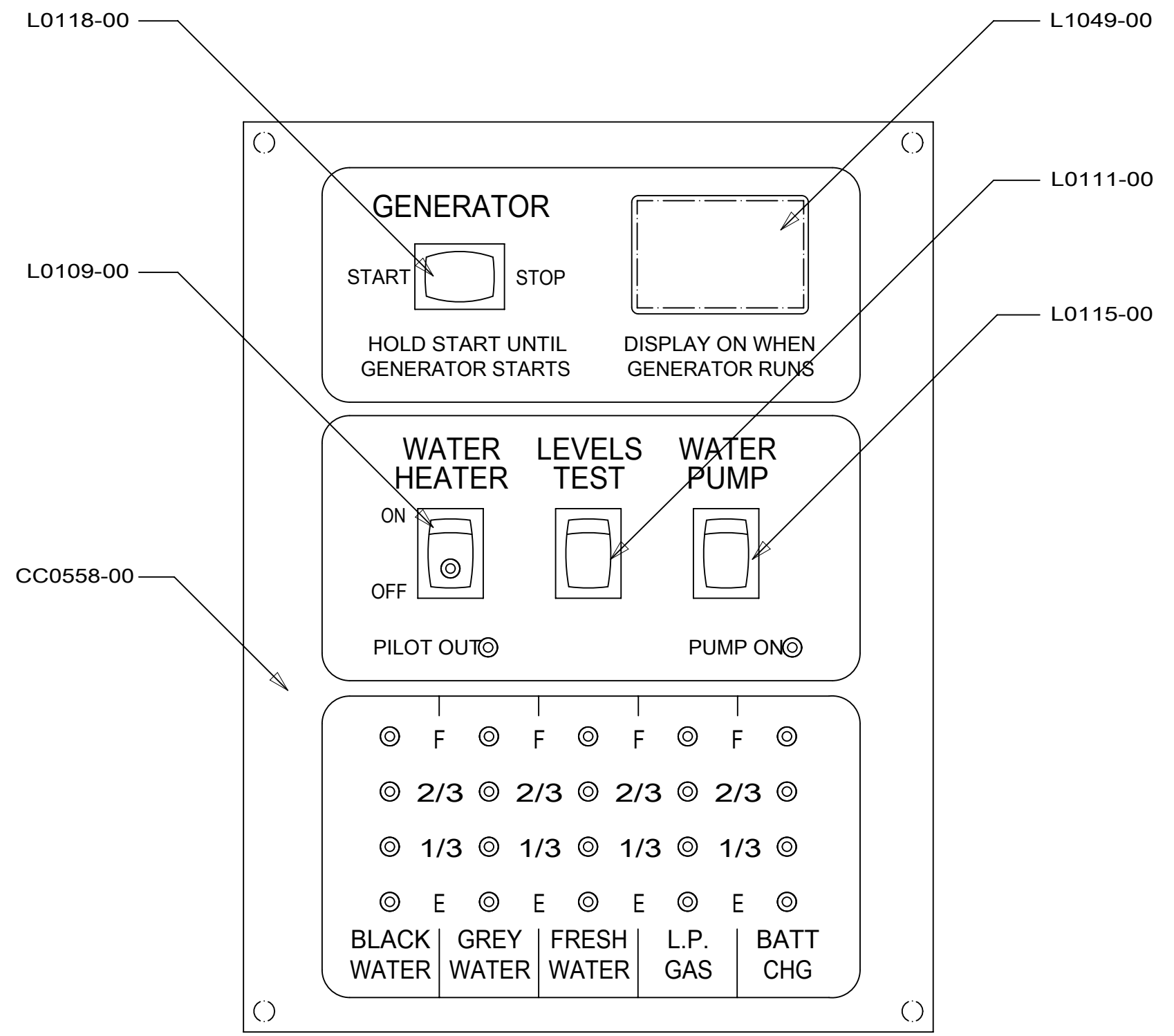
CONFIDENTIAL
 THIS DOCUMENT, INCLUDING ALL INFORMATION CONTAINED HEREIN, IS THE EXCLUSIVE AND CONFIDENTIAL PROPERTY OF VENTLINE DIVISION OF TOMKINS INDUSTRIES, INC. THE DOCUMENT AND INFORMATION ARE NOT TO BE COPIED, REPRODUCED OR DELIVERED TO OTHERS IN WHOLE OR IN PART, WITHOUT THE EXPRESS WRITTEN PERMISSION OF VENTLINE. THE DOCUMENT IS TO BE RETURNED PROMPTLY TO VENTLINE AFTER HAVING SERVED THE PURPOSE FOR WHICH DESIGNED.
 © 1995 VENTLINE DIVISION, TOMKINS INDUSTRIES, INC.
 All Rights Reserved, including the right to reproduce this document or any part thereof

LTR	DESCRIPTION	DATE	CHK BY	CHK BY
REL	RELEASED TO PURCHASING & PRODUCTION	12/3/03	MPR	MPR
A	ADDED LABEL DETAIL ECN 16381	4-6-04	RJL	RJL
B	L5131-02 WAS L5118-02 ECN 16394	4-21-04	RJL	RJL

LA1073-00
 PAGE 2 OF 2

LA1073-00
 FOR USE WITH
 NON-CONTACT
 SENSORS
 (MFG DATE)

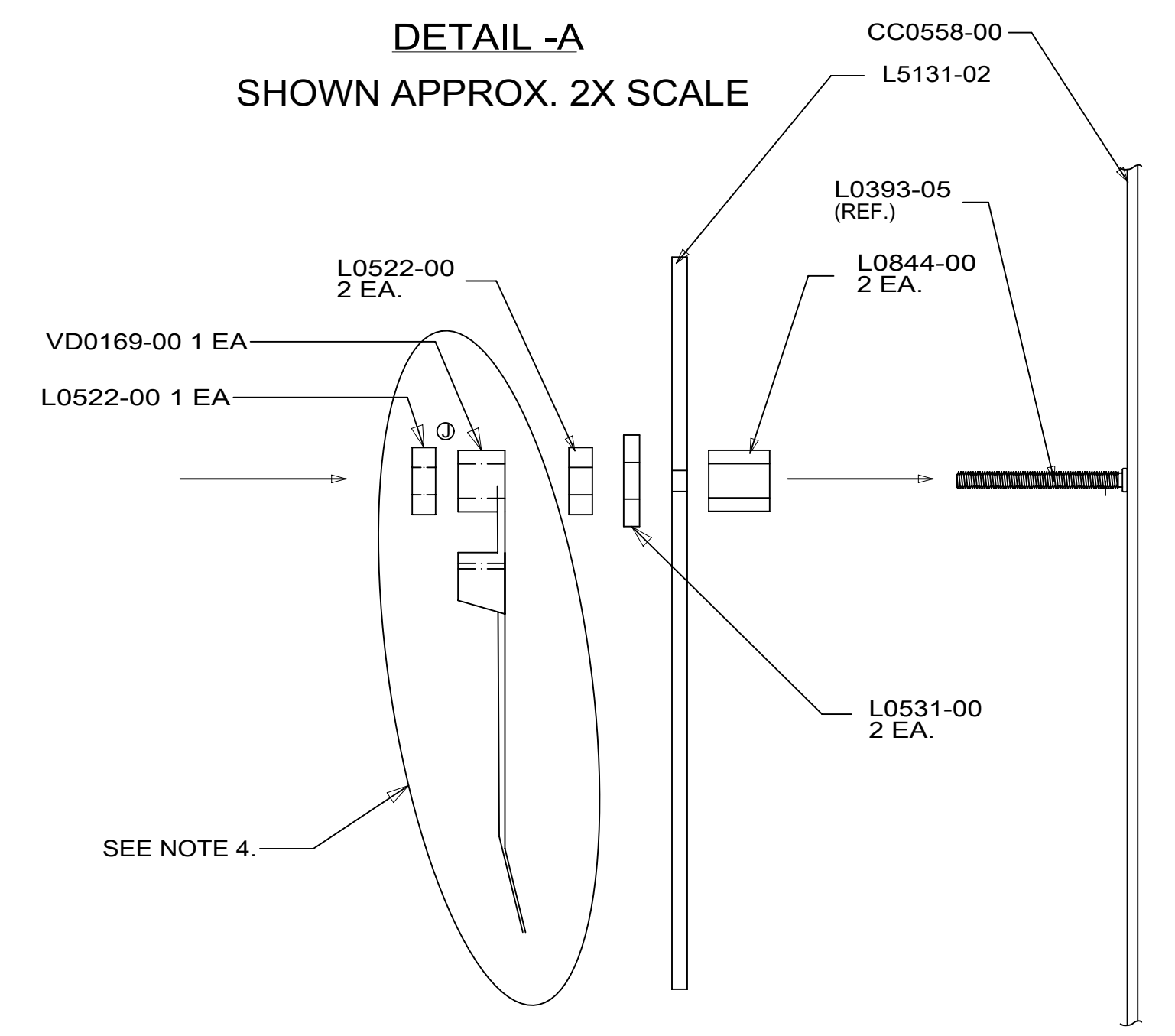
PRODUCT LABEL
 PRINTING DETAIL
 NO SCALE



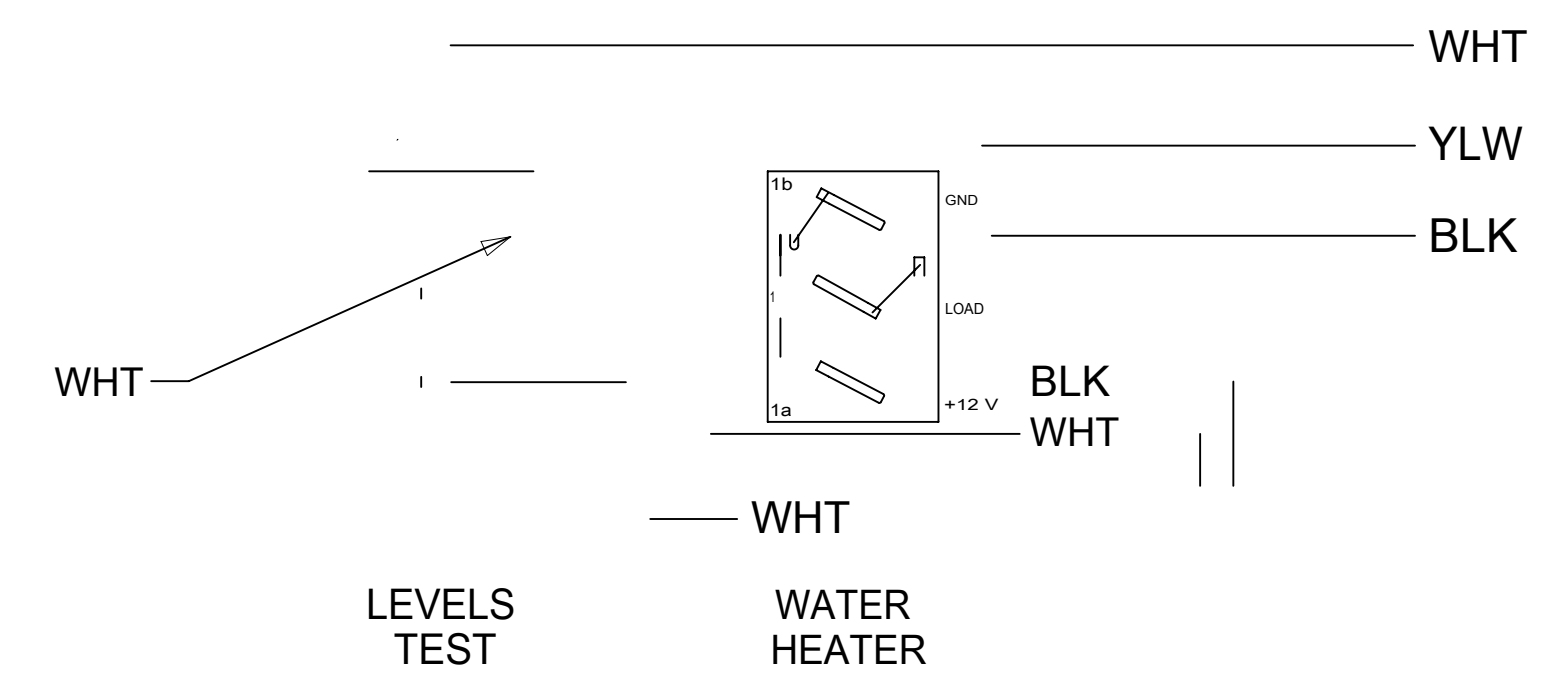
- L7752-00
- CKT 7 14-RED/WHT= WATER PUMP REMOTE SW.
 - CKT 8 14-RED= WATER PUMP
 - CKT 9 14-WHT/RED= WATER PUMP REMOTE SW.
 - CKT 3 WHT= NEGATIVE BATT. TERMINAL
 - CKT 13 YLW= D.S.I. WTR. HTR. POS.
 - CKT 1 BLK= HOUSE BATTERY POS.
 - CKT 15 WHT/BLU= WTR. HTR. PILOT LT.
 - CKT 12 WHT/GRN= LP GAS TANK
 - CKT 4 RED= FRESH WATER TANK SENSOR
 - CKT 6 GRY= GREY WATER TANK SENSOR
 - CKT 5 BRN= BLACK WATER TANK SENSOR

VENTLINE WIRING ← CUSTOMER WIRING

DETAIL -A
 SHOWN APPROX. 2X SCALE



DETAIL -B
 SHOWN APPROX. 2X SCALE



- NOTES:
- UNLESS OTHERWISE SPECIFIED ALL WIRE IS 22 AWG.
 - REF. DWG.'S:
 HARNESS, INTERNAL & SWITCH= L7752-00
 PCB= L5131-02
 HARNESS, TEST= L7753-00
 TEST BOX= L8506-00
 - ALL PIGTAILS TO BE SUPPLIED BY CUSTOMER.
 - BEFORE PACKING, SECURE HARNESS WITH VDO169-00 TIE WRAP ON RIGHT SIDE POST.

PART NO.	REQD	MATERIAL	DESCRIPTION	DWG SIZE
VDO169-00	1		TIE WRAP WITH POST HOLE	
L7752-00	1		HARNESS, INTERNAL & SWITCH	
L5131-02	1		PCB	
L1049-00	1		HOLE PLUG	
L0531-00	4		FIBER WASHER	
L0522-00	3		HEX NUT, 6-32	
L0451-00	1		LABEL	
L0844-00	2		PCB SPACER	
L0118-00	1		SWITCH, DUMMY	
L0115-00	1		SWITCH, SPDT ON-ON, BLK	
L0111-00	1		SWITCH, SPST MOM. (ON)-OFF, BLK	
L0109-00	1		SWITCH, SPST ON-OFF, BLK, GRN LT.	
CC0558-00	1		SILKSCREENED CHASSIS	

ENGLISH (TOLERANCE UNLESS SPECIFIED)
 0 PL.: .040 1 PL.: .020
 2 PL.: .010 3 PL.: .005
 FRACTIONS : 1/64

PHILIPS IND. INC.
 VENTLINE DIVISION
 BRISTOL, INDIANA 46507

SCALE: NONE

FUNCTION DRAWING,
 MONITOR PANEL

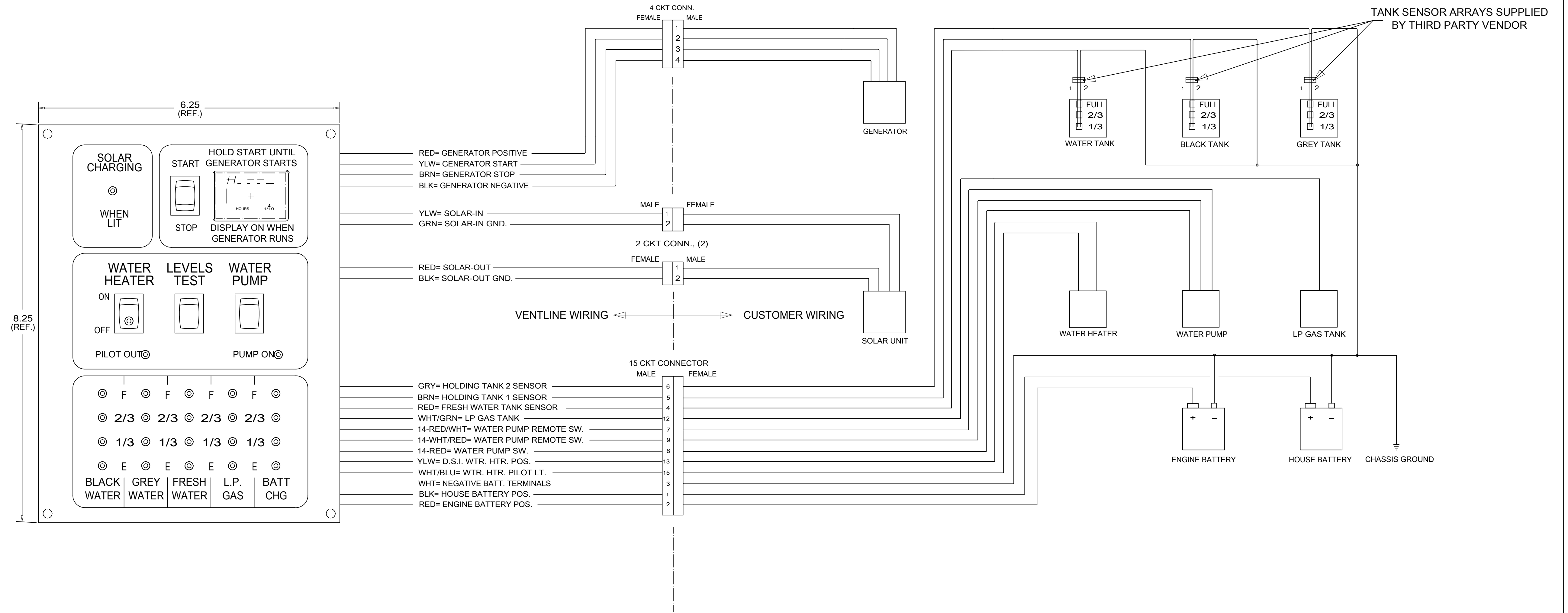
DWG. NO. PAGE 2 OF 2
 LA1073-00

FIRST USED	05 D SERIES
TITLE:	DO NOT SCALE DRAWING
	PANEL-MONITOR
SHEET 8	PART NO 134940 REV
	1 09-Mar-2015

CONFIDENTIAL
 THIS DOCUMENT, INCLUDING ALL INFORMATION CONTAINED HEREIN, IS THE EXCLUSIVE AND CONFIDENTIAL PROPERTY OF VENTLINE DIVISION OF TOMKINS INDUSTRIES, INC. THE DOCUMENT AND INFORMATION ARE NOT TO BE COPIED, REPRODUCED OR DELIVERED TO OTHERS, IN WHOLE OR IN PART, WITHOUT THE EXPRESS WRITTEN PERMISSION OF VENTLINE. THE DOCUMENT IS TO BE RETURNED PROMPTLY TO VENTLINE AFTER HAVING SERVED THE PURPOSE FOR WHICH ISSUED.
 ©1995 VENTLINE DIVISION, TOMKINS INDUSTRIES, INC.
 All Rights Reserved, including the right to reproduce this document or any part thereof

LA1074-00
 PAGE 1 OF 2

LTR.	DESCRIPTION	DATE	CHG BY	CHK BY
REL	RELEASED TO PURCHASING & PRODUCTION	12/3/03	MPR	MPR
A	SEE SHEET 2 ECN 16381 ECN 16261	4-6-04	RJL	RJL
B	L5131-02 WAS L5118-02 ECN 16394	4-21-04	RJL	RJL



RED= GENERATOR POSITIVE
 YLW= GENERATOR START
 BRN= GENERATOR STOP
 BLK= GENERATOR NEGATIVE

YLW= SOLAR-IN
 GRN= SOLAR-IN GND.

RED= SOLAR-OUT
 BLK= SOLAR-OUT GND.

6 GRY= HOLDING TANK 2 SENSOR
 5 BRN= HOLDING TANK 1 SENSOR
 4 RED= FRESH WATER TANK SENSOR
 12 WHT/GRN= LP GAS TANK
 7 14-RED/WHT= WATER PUMP REMOTE SW.
 9 14-WHT/RED= WATER PUMP REMOTE SW.
 8 14-RED= WATER PUMP SW.
 13 YLW= D.S.I. WTR. HTR. POS.
 15 WHT/BLU= WTR. HTR. PILOT LT.
 3 WHT= NEGATIVE BATT. TERMINALS
 1 BLK= HOUSE BATTERY POS.
 2 RED= ENGINE BATTERY POS.

- NOTES:
- UNLESS OTHERWISE SPECIFIED ALL WIRE IS 22 AWG.
 - REF. DWG.'S:
 HARNESS, INTERNAL & SWITCH= L7752-00
 HARNESS, GEN. INTERNAL & SWITCH= L7786-00
 HARNESS, SOLAR LIGHT= L7722-00
 PCB= L5131-02
 HARNESS, TEST= L7753-00
 TEST BOX= L8506-00
 - ALL PIGTAILS TO BE SUPPLIED BY CUSTOMER.
 - BEFORE PACKING, SECURE HARNESS WITH VD0169-00 TIE WRAP ON RIGHT SIDE POST.

ENGLISH (TOLERANCE UNLESS SPECIFIED)
 0 PL.: .040 1 PL.: .020
 2 PL.: .010 3 PL.: .005
 FRACTIONS : 1/64

BLANK SIZE	DRAWN DATE	MATERIAL	USED ON	WINNEBAGO
MPR 11/21/03	11/21/03	SEE BOM PAGE 2		
CHECKED DATE	NAME	SCALE: NONE		
MPR 11/21/03				
APPVD DATE				

PHILIPS IND. INC.
 VENTLINE DIVISION
 BRISTOL, INDIANA 46507

FUNCTION DRAWING,
 MONITOR PANEL

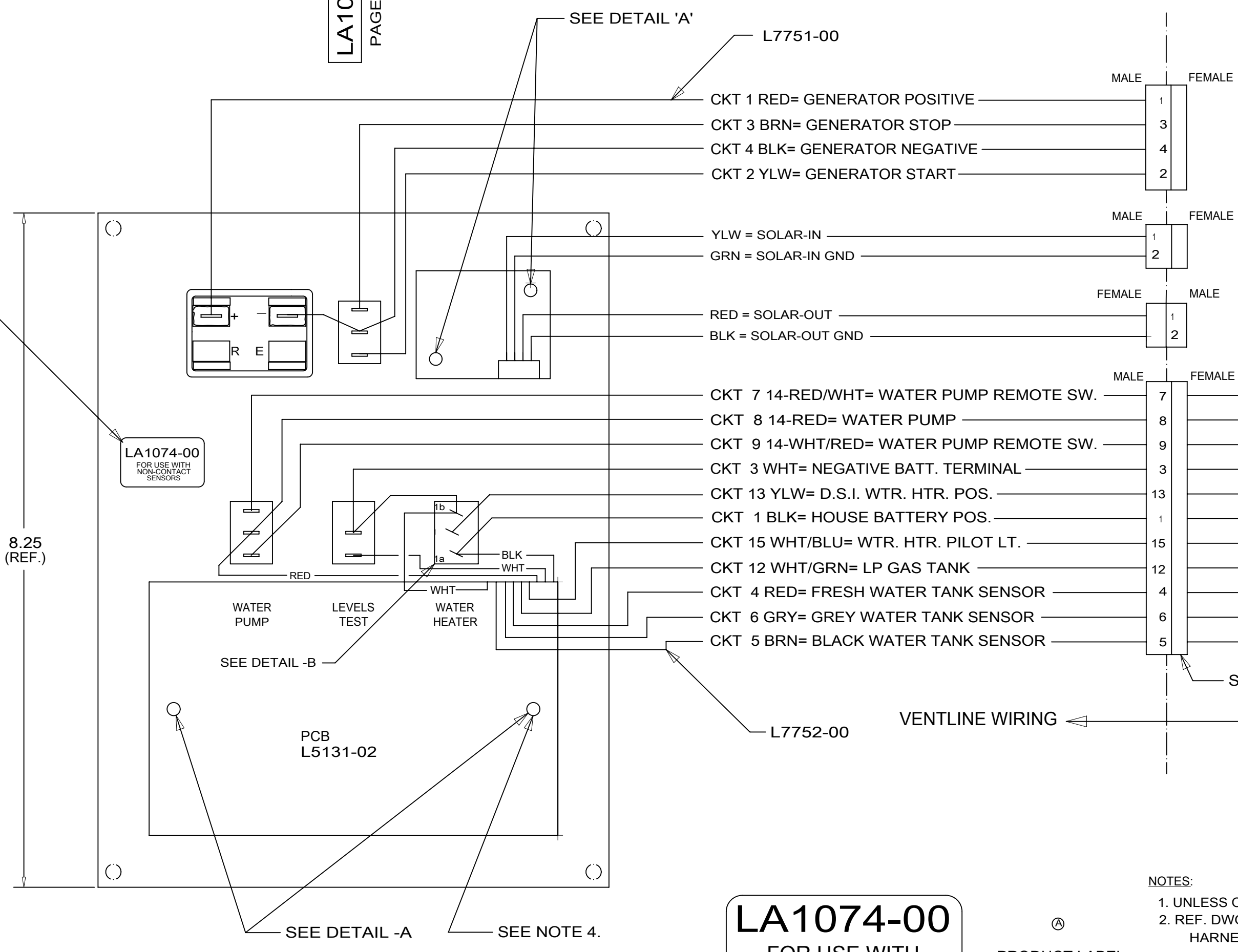
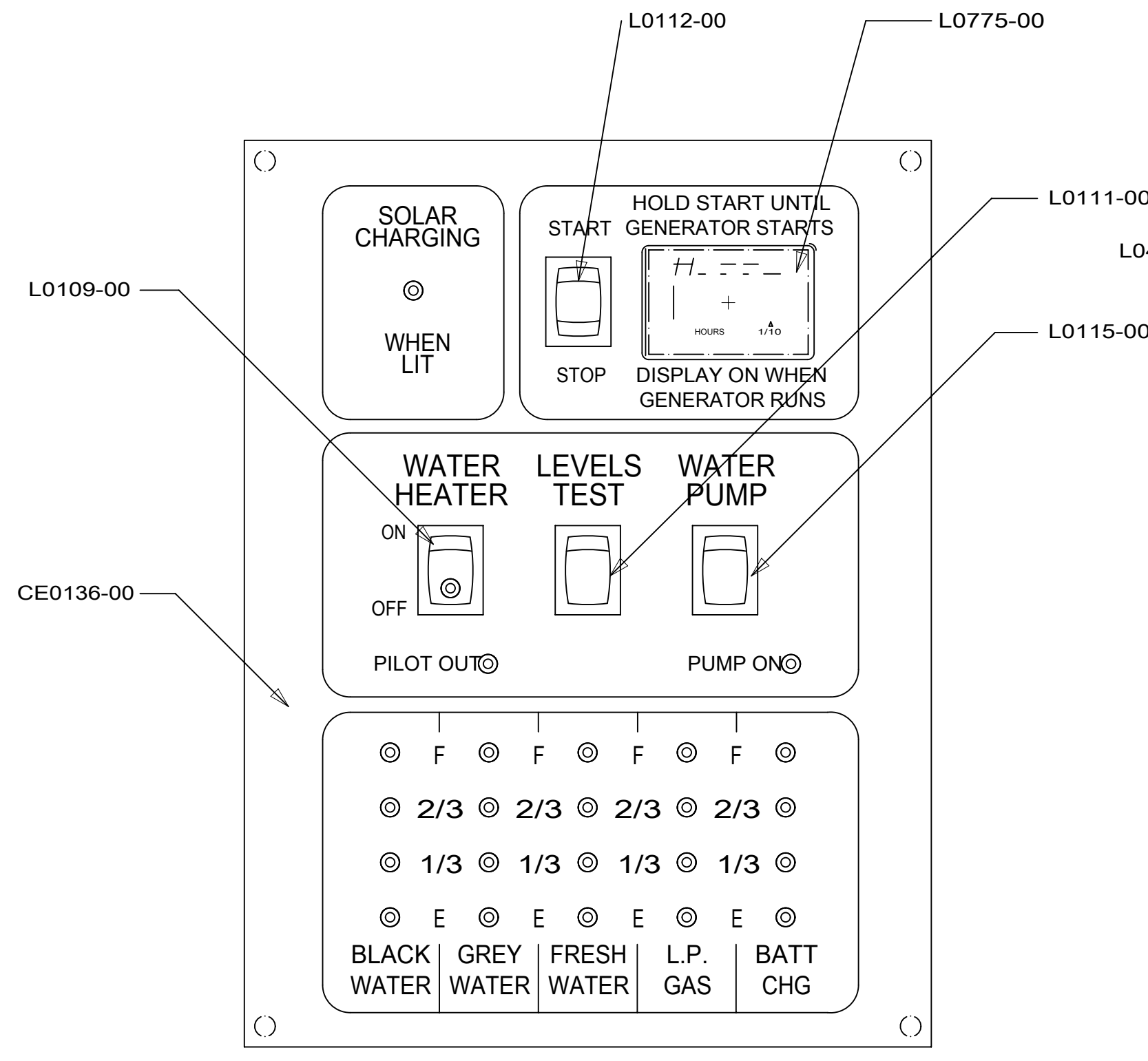
DWG. NO. LA1074-00
 PAGE 1 OF 2

FIRST USED	05 D SERIES
TITLE:	DO NOT SCALE DRAWING
SHEET 9	PART NO 134940
	REV
	1 09-Mar-2015

CONFIDENTIAL
 THIS DOCUMENT, INCLUDING ALL INFORMATION CONTAINED HEREIN, IS THE EXCLUSIVE AND CONFIDENTIAL PROPERTY OF VENTLINE DIVISION OF TOMKINS INDUSTRIES INC. THE DOCUMENT AND INFORMATION ARE NOT TO BE COPIED, REPRODUCED OR DELIVERED TO OTHERS, IN WHOLE OR IN PART, WITHOUT THE EXPRESS WRITTEN PERMISSION OF VENTLINE. THE DOCUMENT IS TO BE RETURNED PROMPTLY TO VENTLINE AFTER HAVING SERVED THE PURPOSE FOR WHICH DELIVERED.
 ©1995 VENTLINE DIVISION, TOMKINS INDUSTRIES, INC.
 All Rights Reserved, including the right to reproduce this document or any part thereof.

LA1074-00
 PAGE 2 OF 2

LTR.	DESCRIPTION	DATE	CHK BY	CRK BY
REL	RELEASED TO PURCHASING & PRODUCTION ECN 16261	12/3/03	MPR	MPR
A	ADDED LABEL DETAIL ECN 16381	4-6-04	RJL	RJL
B	L5131-02 WAS L5118-02 ECN 16394	4-21-04	RJL	RJL

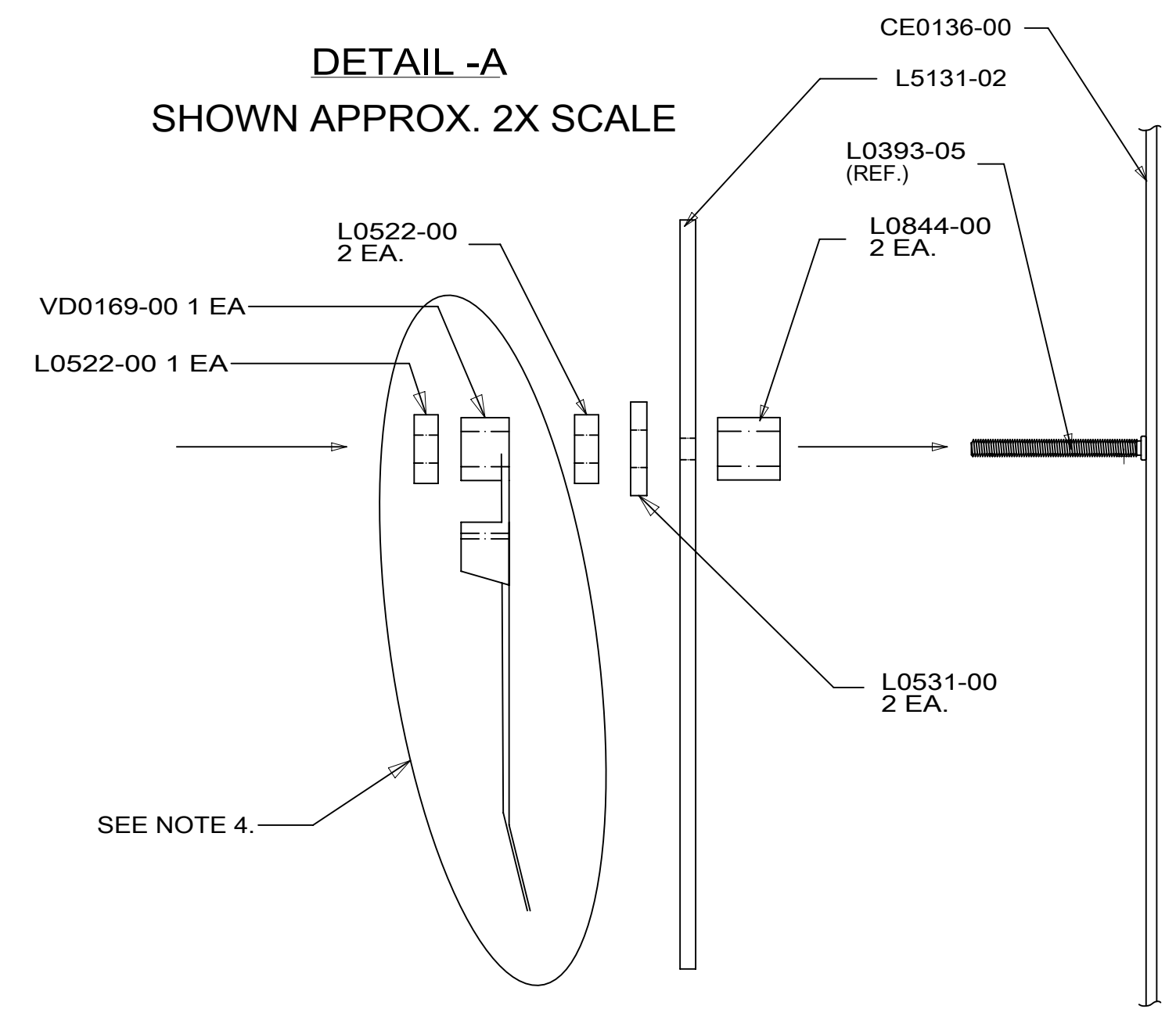


LA1074-00
 FOR USE WITH
 NON-CONTACT
 SENSORS
 (MFG DATE)

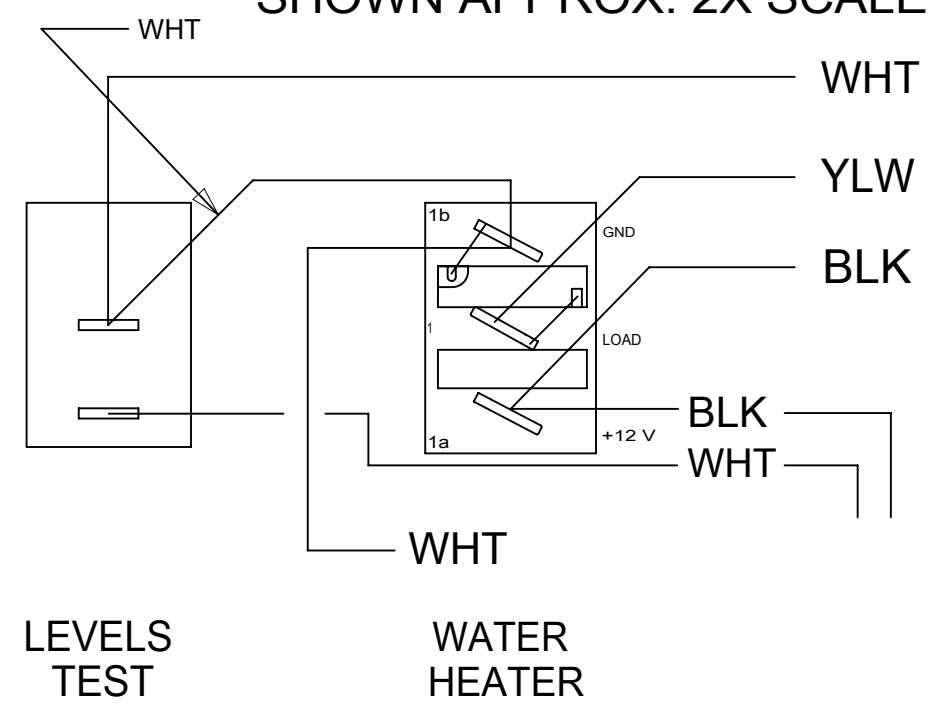
PRODUCT LABEL
 PRINTING DETAIL
 NO SCALE

- NOTES:
- UNLESS OTHERWISE SPECIFIED ALL WIRE IS 22 AWG.
 - REF. DWG.'S:
 HARNESS, INTERNAL & SWITCH= L7752-00
 HARNESS, GEN. INTERNAL & SWITCH= L7786-00
 HARNESS, SOLAR LIGHT= L7722-00
 PCB= L5131-02
 HARNESS, TEST= L7753-00
 TEST BOX= L8506-00
 - ALL PIGTAILS TO BE SUPPLIED BY CUSTOMER.
 - BEFORE PACKING, SECURE HARNESS WITH VD0169-00 TIE WRAP ON RIGHT SIDE POST.

DETAIL -A
 SHOWN APPROX. 2X SCALE



DETAIL -B
 SHOWN APPROX. 2X SCALE



PART NO.	RECD	MATERIAL	DESCRIPTION	DWG SIZE
VD0169-00	-1		TIE WRAP	
L7752-00	-1		HARNESS, INTERNAL & SWITCH	
L7751-00	-1		HARNESS, GENERATOR	
L7722-00	-1		SOLAR LIGHT HARNESS	
L5121-01	-1		SOLAR LIGHT PCB	
L5131-02	-1		PCB	
L0775-00	-1		HOBBS HOUR METER	
L0531-00	-4		FIBER WASHER	
L0522-00	-5		HEX NUT, 6-32	
L0451-00	-1		LABEL	
L0844-00	-4		PCB SPACER	
L0115-00	-1		SWITCH, SPDT ON-ON, BLK	
L0112-00	-1		SWITCH, SPDT (ON)-OFF-(ON), BLK	
L0111-00	-1		SWITCH, SPST MOM. (ON)-OFF, BLK	
L0109-00	-1		SWITCH, SPST ON-OFF, BLK, GRN LT.	
CE0136-00	-1		SILKSCREENED CHASSIS	

BLANK SIZE	RECD	MATERIAL	DESCRIPTION	DWG SIZE
DRAWN DATE	11/21/03	MATERIAL	SEE BOM	
CHECKED DATE	11/21/03	NAME		
APPV'D DATE	11/21/03	NAME		

ENGLISH (TOLERANCE UNLESS SPECIFIED)
 0 PL.: .040 1 PL.: .020
 2 PL.: .010 3 PL.: .005
 FRACTIONS: 1/64

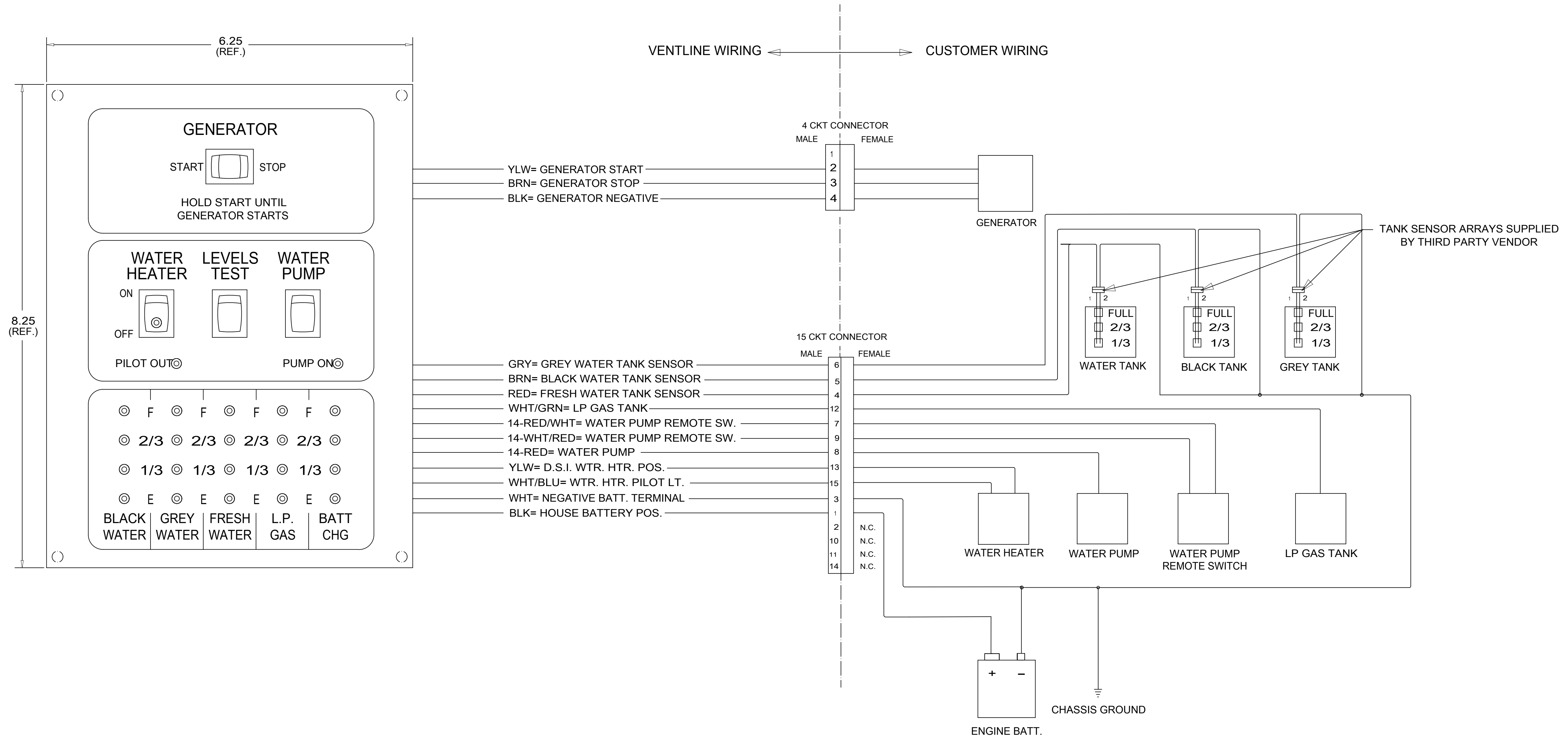
FUNCTION DRAWING,
 MONITOR PANEL
 DWG. NO. PAGE 2 OF 2
LA1074-00

FIRST USED	05 D SERIES
TITLE:	DO NOT SCALE DRAWING
SHEET 10	PART NO 134940 REV
	1 09-Mar-2015

CONFIDENTIAL
 THIS DOCUMENT, INCLUDING ALL INFORMATION CONTAINED HEREIN, IS THE EXCLUSIVE
 AND CONFIDENTIAL PROPERTY OF VENTLINE DIVISION OF TOMKINS INDUSTRIES, INC.
 THE DOCUMENT AND INFORMATION ARE NOT TO BE COPIED, REPRODUCED OR DELIVERED
 TO OTHERS, IN WHOLE OR IN PART, WITHOUT THE EXPRESS WRITTEN PERMISSION OF
 VENTLINE. THE DOCUMENT IS TO BE RETURNED PROMPTLY TO VENTLINE AFTER HAVING
 SERVED THE PURPOSE FOR WHICH DELIVERED.
 © 1995 VENTLINE DIVISION, TOMKINS INDUSTRIES, INC.
 All Rights Reserved, including the right to reproduce this document or any part thereof

LA1075-00
 PAGE 1 OF 2

LTR.	DESCRIPTION	DATE	CHK BY	CHK BY
REL	RELEASED TO PURCHASING AND PRODUCTION ECN 16261	12/3/03	MPR	MPR
A	SEE SHEET 2 ECN 16381	4-6-04	RJL	RJL
B	L5131-02 WAS L5118-02 ECN 16394	4-21-04	RJL	RJL



- Ylw= GENERATOR START
- Brn= GENERATOR STOP
- Blk= GENERATOR NEGATIVE
- GRY= GREY WATER TANK SENSOR
- BRN= BLACK WATER TANK SENSOR
- RED= FRESH WATER TANK SENSOR
- WHT/GRN= LP GAS TANK
- 14-RED/WHT= WATER PUMP REMOTE SW.
- 14-WHT/RED= WATER PUMP REMOTE SW.
- 14-RED= WATER PUMP
- Ylw= D.S.I. WTR. HTR. POS.
- WHT/BLU= WTR. HTR. PILOT LT.
- WHT= NEGATIVE BATT. TERMINAL
- Blk= HOUSE BATTERY POS.

- NOTES:
- UNLESS OTHERWISE SPECIFIED ALL WIRE IS 22 AWG.
 - REF. DWG.'S:
 HARNESS, INTERNAL & SWITCH= L7752-00
 HARNESS, GEN. INTERNAL & SWITCH= L7786-00
 HARNESS, SOLAR LIGHT= L7722-00
 PCB= L5131-02
 HARNESS, TEST= L7753-00
 TEST BOX= L8506-00
 - ALL PIGTAILS TO BE SUPPLIED BY CUSTOMER.
 - BEFORE PACKING, SECURE HARNESS WITH
 VD0169-00 TIE WRAP ON RIGHT SIDE POST.

ENGLISH (TOLERANCE UNLESS SPECIFIED)
 0 PL.: .040 1 PL.: .020
 2 PL.: .010 3 PL.: .005
 FRACTIONS : 1/64

PART NO.	REQD	MATERIAL	DESCRIPTION	DWG SIZE
BLANK SIZE			USED ON WINNEBAGO	
DRAWN DATE		MATERIAL		
MPR 11/21/03		SEE BOM PAGE 2		
CHECKED DATE		NAME		
MPR 11/21/03				
APP'VD DATE				

PHILIPS IND. INC.
 VENTLINE DIVISION
 BRISTOL, INDIANA 46507

SCALE: NONE

FUNCTION DRAWING, MONITOR PANEL

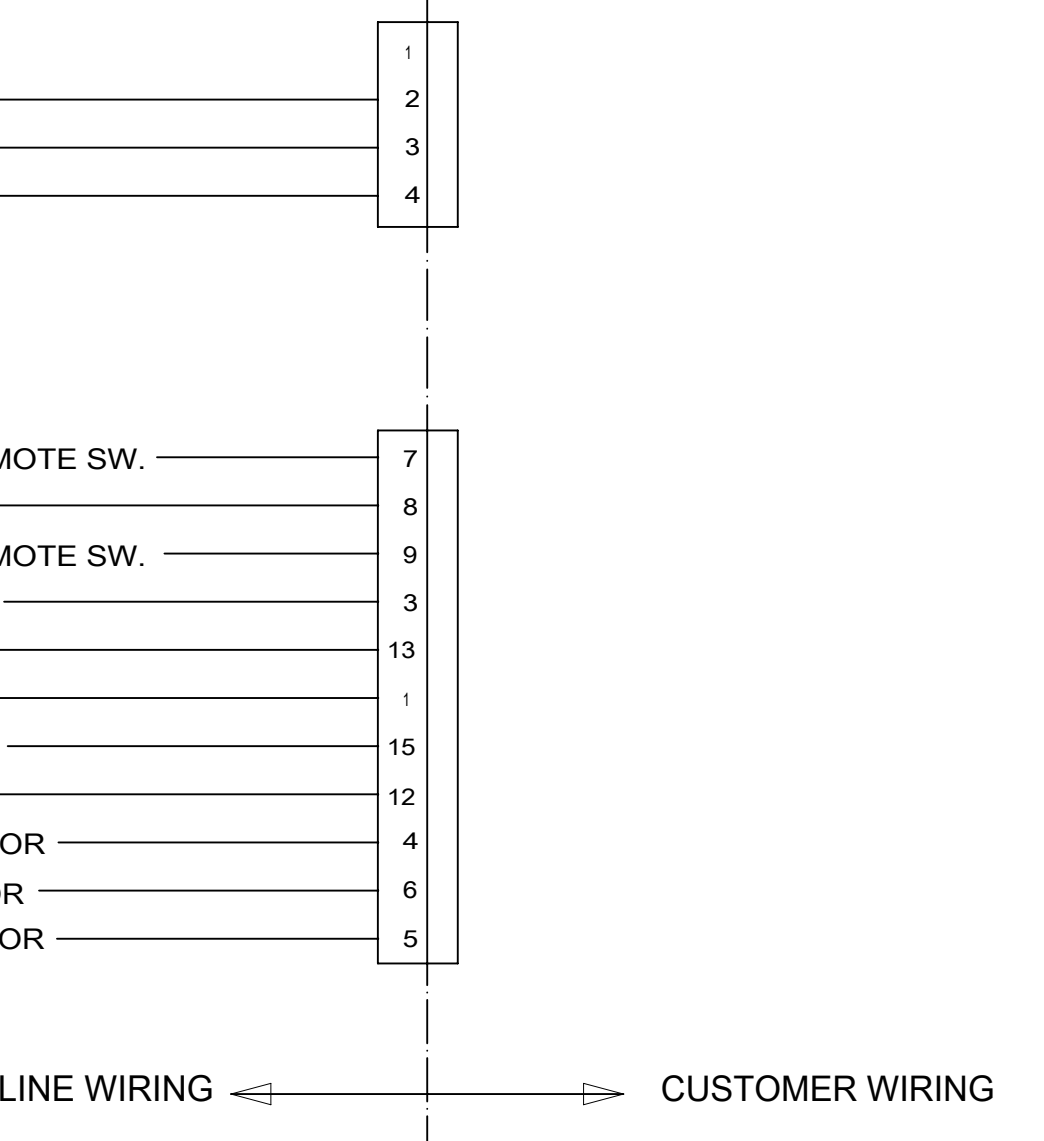
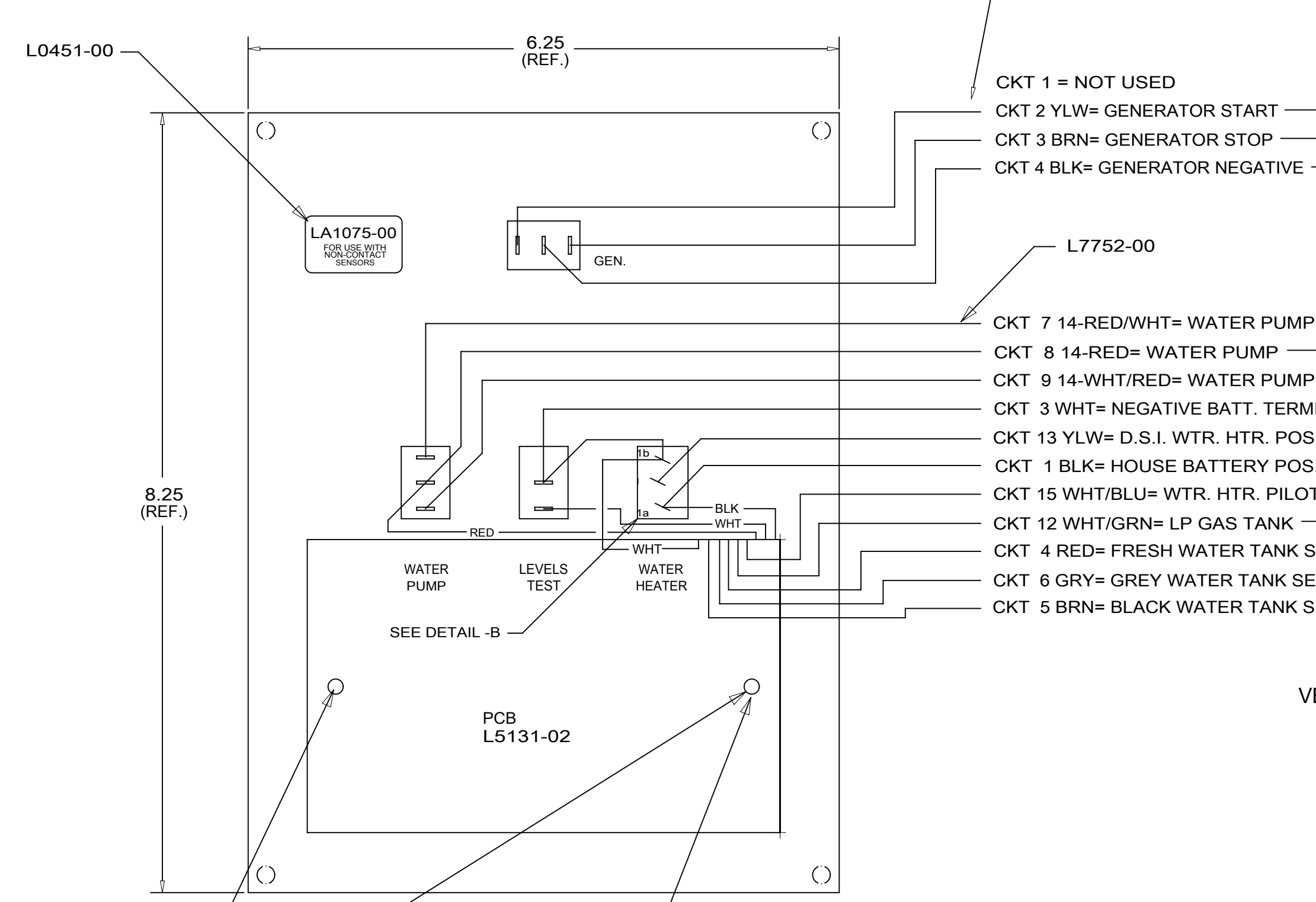
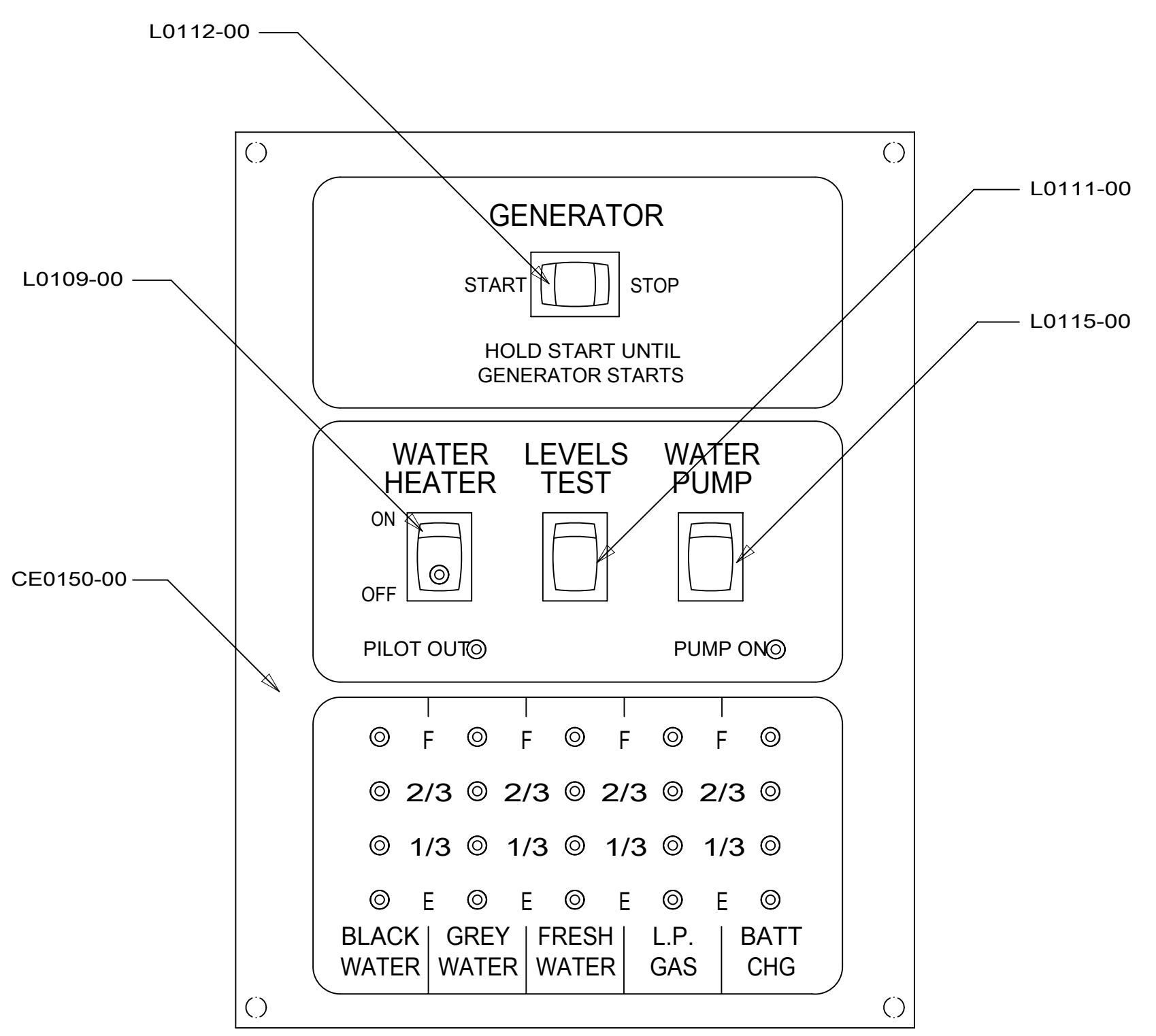
DWG. NO. LA1075-00 PAGE 1 OF 2

FIRST USED	06 500 SERIES
TITLE:	DO NOT SCALE DRAWING
	PANEL-MONITOR
SHEET 11	PART NO 134940 REV
	1 09-Mar-2015

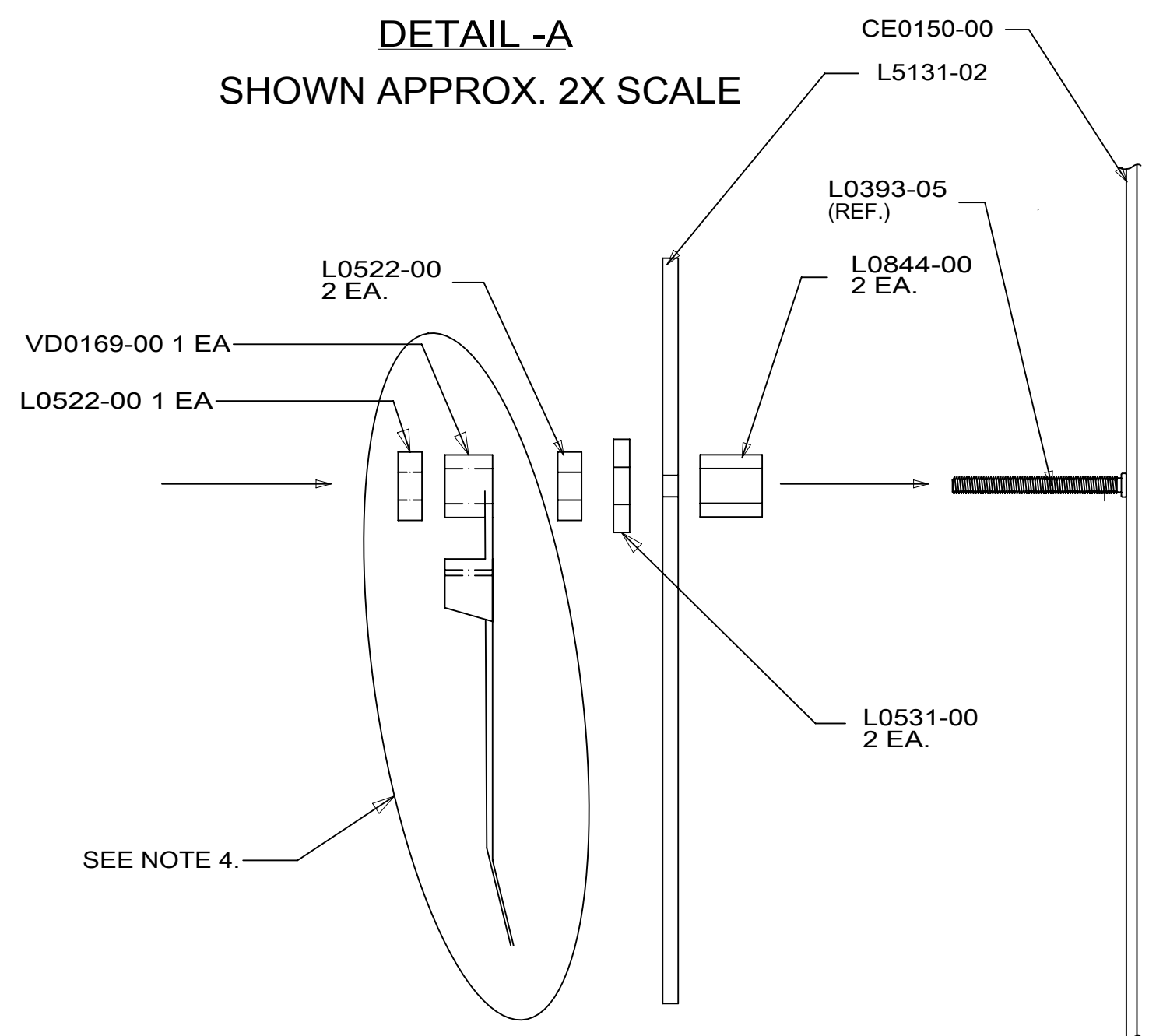
CONFIDENTIAL
 THIS DOCUMENT, INCLUDING ALL INFORMATION CONTAINED HEREIN, IS THE EXCLUSIVE AND CONFIDENTIAL PROPERTY OF VENTLINE DIVISION OF TOMKINS INDUSTRIES, INC. THE DOCUMENT AND INFORMATION ARE NOT TO BE COPIED, REPRODUCED OR DELIVERED TO OTHERS, IN ANY MANNER OR BY ANY MEANS, WITHOUT THE EXPRESS WRITTEN PERMISSION OF VENTLINE. THE DOCUMENT IS TO BE RETURNED PROMPTLY TO VENTLINE AFTER HAVING SERVED THE PURPOSE FOR WHICH DELIVERED.
 ©1995 VENTLINE DIVISION, TOMKINS INDUSTRIES, INC.
 All Rights Reserved, including the right to reproduce this document or any part thereof

LA1075-00
 PAGE 2 OF 2

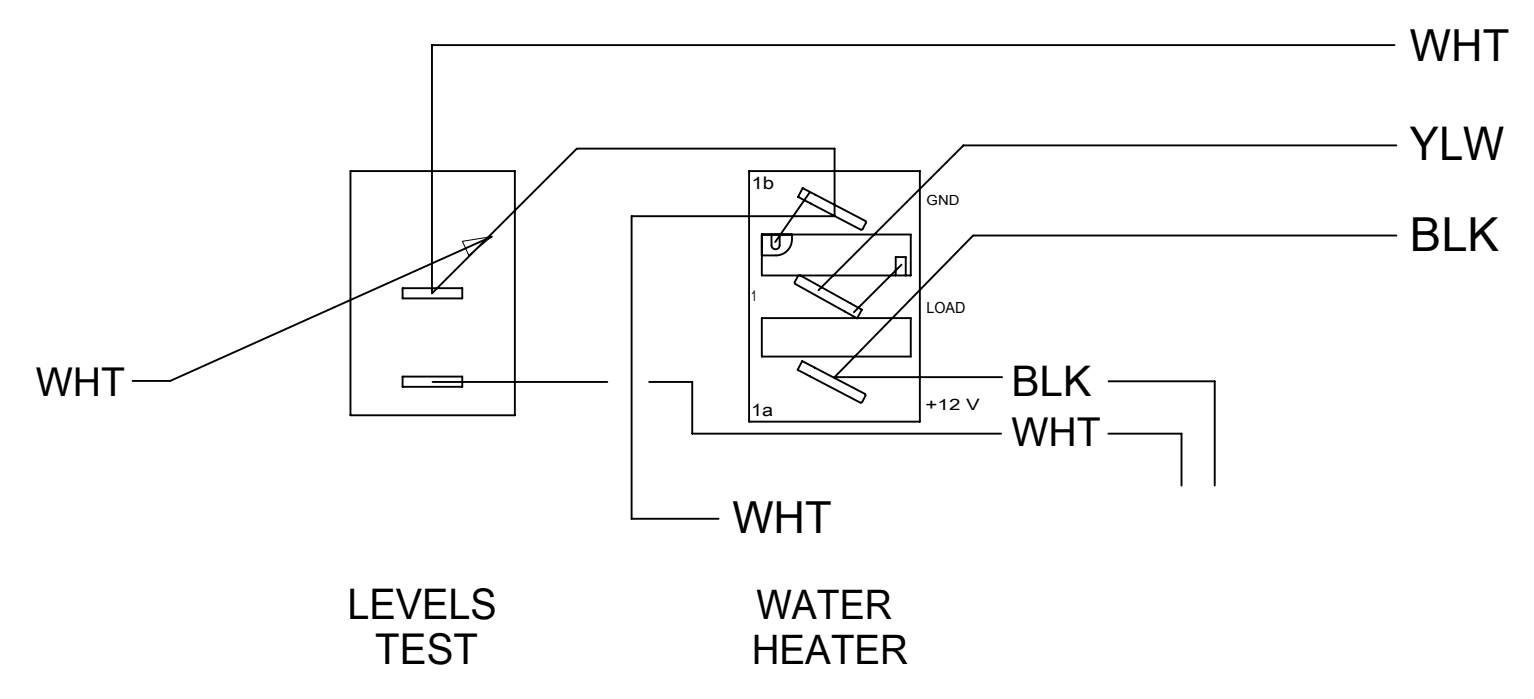
LTR.	DESCRIPTION	DATE	CHK BY	CHK BY
RREL	RELEASED TO PURCHASING AND PRODUCTION	12/3/03	MPR	MPR
A	ADDED LABEL DETAIL	4-6-04	RJL	RJL
B	L5131-02 WAS L5118-02	4-21-04	RJL	RJL



DETAIL -A
 SHOWN APPROX. 2X SCALE



DETAIL -B
 SHOWN APPROX. 2X SCALE



LA1075-00
 FOR USE WITH
 NON-CONTACT
 SENSORS
 (MFG DATE)

PRODUCT LABEL
 PRINTING DETAIL
 NO SCALE

- NOTES:
- UNLESS OTHERWISE SPECIFIED ALL WIRE IS 22 AWG.
 - REF. DWG.'S:
 HARNESS, INTERNAL & SWITCH= L7785-01, -02
 HARNESS, GEN. INTERNAL & SWITCH= L7786-00
 PCB= L5131-02
 HARNESS, TEST= L8012-00
 TEST BOX= L8506-00
 - ALL PIGTAILS TO BE SUPPLIED BY CUSTOMER.
 - BEFORE PACKING, SECURE HARNESS WITH VD0169-00 TIE WRAP ON RIGHT SIDE POST.

PART NO.	REQ'D	MATERIAL	DESCRIPTION	DWG SIZE
VD0169-00	1		TIE WRAP	
L7752-00	1		HARNESS, INTERNAL & SWITCH	
L7832-00	1		HARNESS, GENERATOR	
L5131-02	1		PCB	
L0531-00	2		FIBER WASHER	
L0522-00	3		HEX NUT, 6-32	
L0451-00	1		LABEL	
L0844-00	2		PCB SPACER	
L0115-00	1		SWITCH, SPDT ON-ON, BLK	
L0112-00	1		SWITCH, SPDT (ON)-OFF-(ON), BLK	
L0111-00	1		SWITCH, SPST MOM. (ON)-OFF, BLK	
L0109-00	1		SWITCH, SPST ON-OFF, BLK, GRN LT.	
CE0150-00	1		SILKSCREENED CHASSIS	

BLANK SIZE	DATE	MATERIAL	USED ON	WINNEBAGO
DRAWN	11/21/03	SEE BOM		
CHECKED				
APP'VD	11/21/03			

PHILIPS IND, INC.
 VENTLINE DIVISION
 BRISTOL, INDIANA 46507

SCALE: NONE

FUNCTION DRAWING, MONITOR PANEL

DWG. NO. PAGE 2 OF 2
 LA1075-00

ENGLISH (TOLERANCE UNLESS SPECIFIED)
 0 PL.: .040 1 PL.: .020
 2 PL.: .010 3 PL.: .005
 FRACTIONS : 1/64

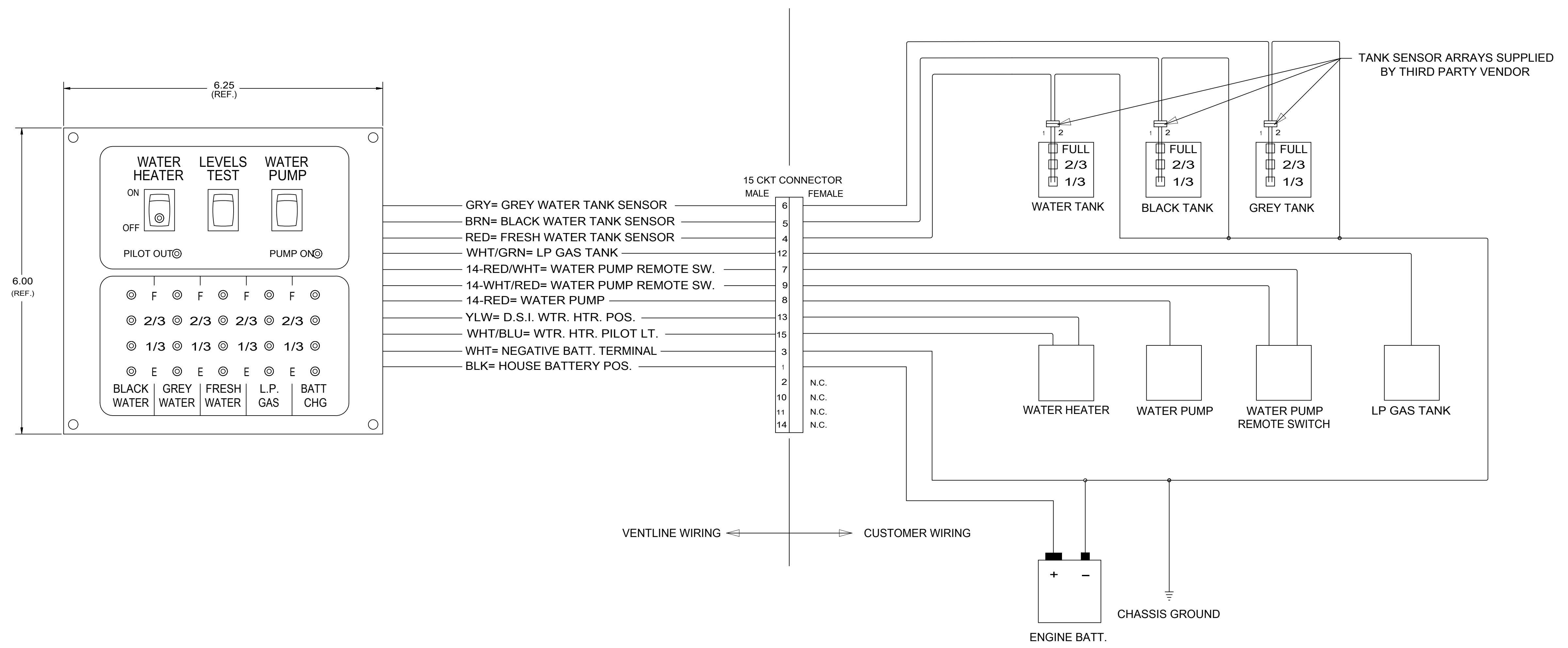
FIRST USED	06 500 SERIES
TITLE:	DO NOT SCALE DRAWING
SHEET 12	PART NO 134940
	REV

ECN	LTR.	DESCRIPTION	DATE	CHG. BY	CHK. BY
	a	RELEASE FOR QUOTE AND SAMPLE	04/26/07	MRH	MRH

LA1086-00
PAGE 1 OF 2

CONFIDENTIAL
THIS DOCUMENT, INCLUDING ALL INFORMATION CONTAINED HEREIN, IS THE EXCLUSIVE AND CONFIDENTIAL PROPERTY OF VENTLINE DIVISION OF TOMKINS INDUSTRIES INC. THE DOCUMENT AND INFORMATION ARE NOT TO BE COPIED, REPRODUCED OR DELIVERED TO OTHERS, IN WHOLE OR IN PART, WITHOUT THE EXPRESS WRITTEN PERMISSION OF VENTLINE. THE DOCUMENT IS TO BE RETURNED PROMPTLY TO VENTLINE AFTER HAVING SERVED THE PURPOSE FOR WHICH DELIVERED.

© 1995 VENTLINE DIVISION, TOMKINS INDUSTRIES, INC.
All Rights Reserved, including the right to reproduce this document or any part thereof



- 6 GRY= GREY WATER TANK SENSOR
- 5 BRN= BLACK WATER TANK SENSOR
- 4 RED= FRESH WATER TANK SENSOR
- 12 WHT/GRN= LP GAS TANK
- 7 14-RED/WHT= WATER PUMP REMOTE SW.
- 9 14-WHT/RED= WATER PUMP REMOTE SW.
- 8 14-RED= WATER PUMP
- 13 YLW= D.S.I. WTR. HTR. POS.
- 15 WHT/BLU= WTR. HTR. PILOT LT.
- 3 WHT= NEGATIVE BATT. TERMINAL
- 1 BLK= HOUSE BATTERY POS.

- NOTES:**
- UNLESS OTHERWISE SPECIFIED ALL WIRE IS 22 AWG.
 - REF. DWG.'S:
HARNESS, INTERNAL & SWITCH= L7752-00
PCB= L5131-02
HARNESS, TEST= L7753-00
TEST BOX= L8506-00
 - ALL PIGTAILS TO BE SUPPLIED BY CUSTOMER.
 - BEFORE PACKING, SECURE HARNESS WITH VD0169-00 TIE WRAP ON RIGHT SIDE POST.

© *VISUALLY CHECK EACH PANEL FOR A RED CIRCUIT BOARD THAT IS THE SPECIFIED PART NUMBER*

UNITS OF MEASURE: INCHES UNLESS SPECIFIED

TOLERANCE UNLESS OTHERWISE SPECIFIED	FRACTIONS = ± 1/16
0.0 = ± .020	ANGLES = ± 1°
0.00 = ± .010	
0.000 = ± .005	

PART NO.	REQ'D	MATERIAL	DESCRIPTION	DWG SIZE
BLANK SIZE		USED ON WINNEBAGO		
DRAWN	DATE	MATERIAL	SEE PAGE 2	
MRH	04/26/07		VENTLINE DIVISION OF PHILIPS BRISTOL, INDIANA 46507	
CHECKED	DATE	NAME	SCALE: NONE	DRAWING NO. PAGE 1 OF 2
MRH	04/26/07	FUNCTION DRAWING		
APPV'D	DATE	MONITOR PANEL	LA1086-00	

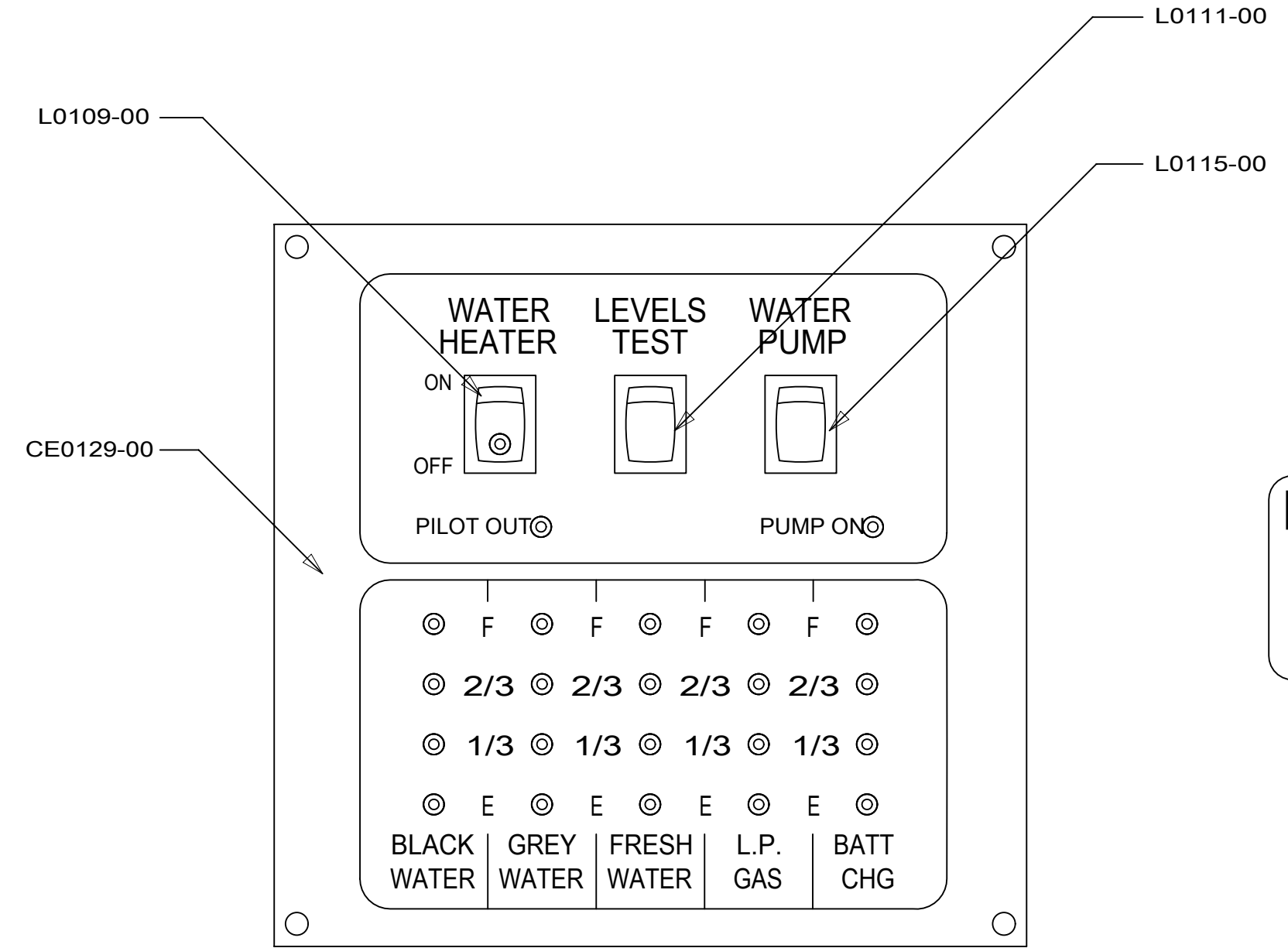
FIRST USED	300 & F SER	
TITLE:	DO NOT SCALE DRAWING	
	PANEL-MONITOR 2-TANK	
SHEET 13	PART NO 134940	REV
	1	09-Mar-2015

CONFIDENTIAL
 THIS DOCUMENT, INCLUDING ALL INFORMATION CONTAINED HEREIN, IS THE EXCLUSIVE AND CONFIDENTIAL PROPERTY OF VENTLINE DIVISION OF TOMKINS INDUSTRIES INC. THE DOCUMENT AND INFORMATION ARE NOT TO BE COPIED, REPRODUCED OR DELIVERED TO OTHERS, IN WHOLE OR IN PART, WITHOUT THE EXPRESS WRITTEN PERMISSION OF VENTLINE. THE DOCUMENT IS TO BE RETURNED PROMPTLY TO VENTLINE AFTER HAVING SERVED THE PURPOSE FOR WHICH DELIVERED.
 © 1995 VENTLINE DIVISION, TOMKINS INDUSTRIES, INC.
 All Rights Reserved, including the right to reproduce this document or any part thereof

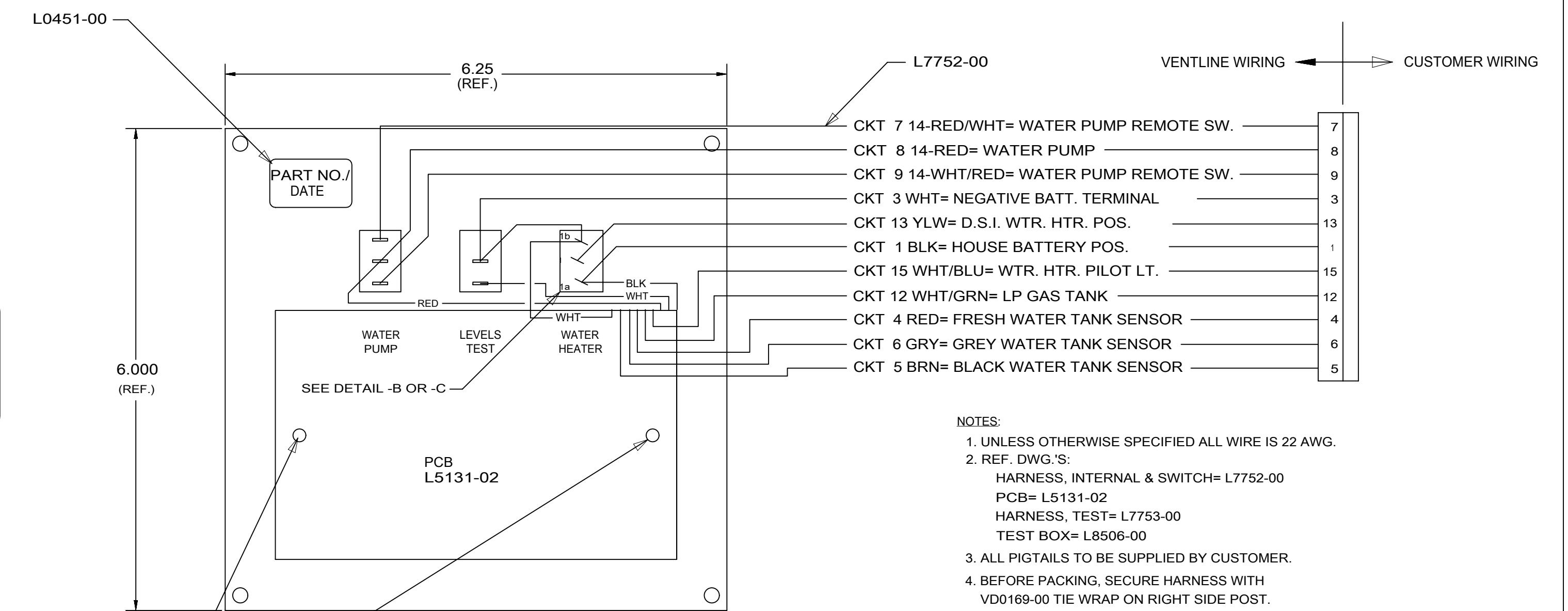
LA1086-00
PAGE 2 OF 2

ECN	LTR.	DESCRIPTION	DATE	CHG. BY	CHK. BY
17148	REL	RELEASE TO PURCHASING & PRODUCTION	05/10/07	MRH	MRH

VISUALLY CHECK EACH PANEL FOR A RED CIRCUIT BOARD THAT IS THE SPECIFIED PART NUMBER

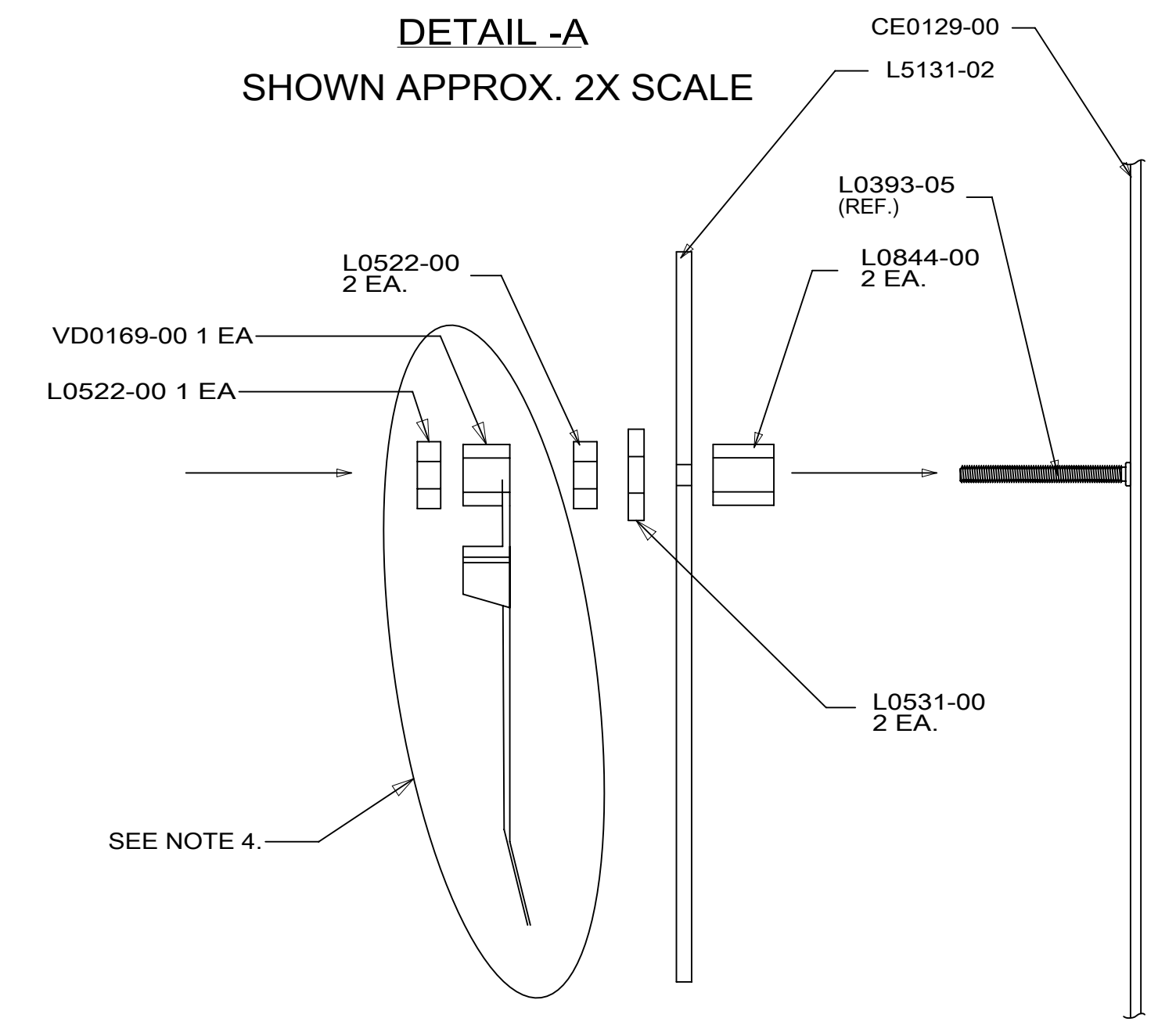


PRODUCT LABEL PRINTING DETAIL NO SCALE
LA1086-00
 FOR USE WITH NON-CONTACT SENSORS (MFG DATE)

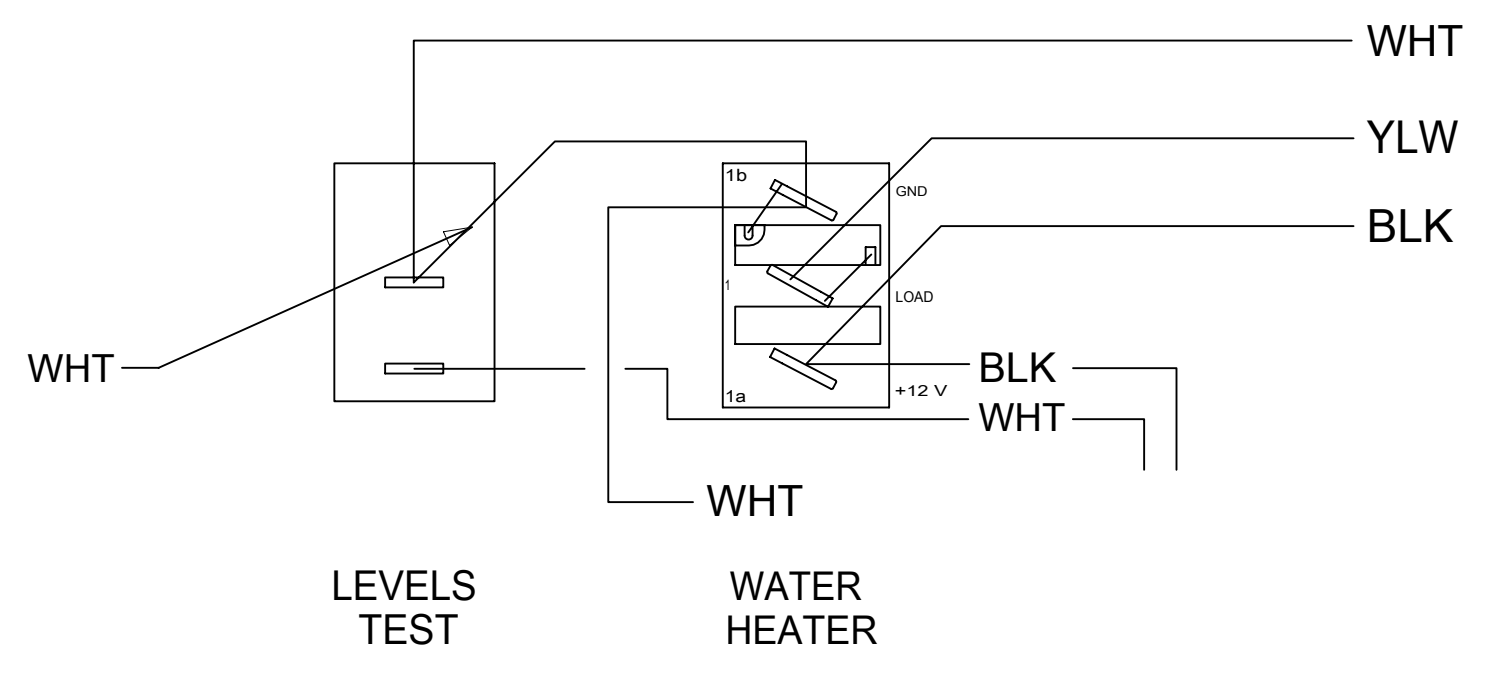


- NOTES:
 1. UNLESS OTHERWISE SPECIFIED ALL WIRE IS 22 AWG.
 2. REF. DWG.'S:
 HARNESS, INTERNAL & SWITCH= L7752-00
 PCB= L5131-02
 HARNESS, TEST= L7753-00
 TEST BOX= L8506-00
 3. ALL PIGTAILS TO BE SUPPLIED BY CUSTOMER.
 4. BEFORE PACKING, SECURE HARNESS WITH VD0169-00 TIE WRAP ON RIGHT SIDE POST.

DETAIL -A
 SHOWN APPROX. 2X SCALE



DETAIL -B
 SHOWN APPROX. 2X SCALE



VD0169-00	1		TIE WRAP	
L7752-00	1		INTERNAL & SWITCH HARNESS	
L5131-02	1		PCB	
L0844-00	2		PCB SPACER	
L0531-00	2		FIBER WASHER	
L0522-00	3		HEX NUT, 6-32	
L0451-00	1		LABEL	
L0111-00	1		SW, SPST MOM. (ON)-OFF, BLK	
L0109-00	1		SW, SPST ON-OFF, BLK, GRN LT.	
L0115-00	1		SW, SPDT ON-ON, BLK	
CE0129-00	1		SILKSCREENED CHASSIS	

UNITS OF MEASURE: INCHES UNLESS SPECIFIED
 TOLERANCE UNLESS OTHERWISE SPECIFIED
 0.0 = ± .020 FRACTIONS = ± 1/16
 0.00 = ± .010 ANGLES = ± 1°
 0.000 = ± .005

PART NO.	REQ'D	MATERIAL	DESCRIPTION	DWG SIZE
BLANK SIZE		USED ON WINNEBAGO		
DRAWN DATE	MRH 04/26/07	MATERIAL	SEE BOM	
CHECKED DATE	MRH 04/26/07	NAME	FUNCTION DRAWING MONITOR PANEL	
APPV'D DATE				
			SCALE: NONE	
			DRAWING NO. PAGE 2 OF 2	
			LA1086-00	

FIRST USED	300 & F SER
TITLE:	DO NOT SCALE DRAWING
	PANEL-MONITOR 2-TANK
SHEET 14	PART NO 134940 REV
	1 09-Mar-2015