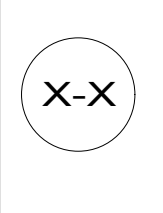


- NOTES:**
12. REQUIRES 5 GALLONS RV ANTIFREEZE 182955-01-000 PER TOLIET. FOLLOW TECMA TOLIET WINTERIZATION PROCEDURE.
 11. GLUE FITTING AFTER CABINET IS INSTALLED.
 10. APPLY PRIMER 126427-02-000 AND CEMENT 126427-01-000 BETWEEN ELBOW AND FLEX PIPE.
 9. SEE DRAWING 061607 FOR INSTALLATION OF GROMMETS.
 8. SECURE DRAINAGE PIPES TO CABINET USING WIRE TIE 108046-02-000, AND SCREW 000G67-10-12U AT INTERVALS OF NOT OF NOT MORE THAN 4 FEET APART.
 7. SECURE VENT PIPE TO GROMMET WITH CLAMP 062401-02-000.
 6. VENT PIPE MUST PROJECT 51 MIN AND 64 MAX ABOVE ROOF FOR PROPER FIT AND FUNCTION. ADD S-1 (116666-01-CHT SEAL-VENT PIPE) AROUND PIPE ON ROOF BEFORE VENT CAP IS INSTALLED.
 5. SEAL AROUND SHOWER WITH SILICONE.
 4. USE SMOOTH PLUMBERS PUTTY 167459-01-000 TO SEAL STRAINER (0.2 PER STRAINER).
 3. ALL PIPE AND FITTINGS TO BE ASSEMBLED WITH SOLVENT 004020-01-000 (USA), 004020-02-000 (CAN)
 2. SLOPE OF TRAP ARM MUST BE 6 PER 305 mm.
 1. SLOPE OF HORIZONTAL PIPING TO BE MINIMUM OF 3 PER 305 mm.

- 21S WASHER/DRYER STACKED
- 1B1 CODES/STANDARDS USA
- 265 CODES/STDS-CSA,CMVSS
- 21M WASHER/DRYER PREP

WINNEBAGO		COPYRIGHT 2014 WINNEBAGO INDUSTRIES, INC.	
DFT-ORIG	ORIG. DATE	ALL DIMENSIONS ARE IN MILLIMETERS	
CHKR			
P.E.			
M.E.	FIRST USED	14 P42E	
DSNR			
UNSPECIFIED TOLERANCES ARE:		MATERIAL:	
WHOLE DIM (X)	: 3		
ONE-PLACE (X.X)	: 1.5		
TWO-PLACE (X.XX)	: 0.50		
ANGLE	: 1°		
THIRD ANGLE PROJECTION			
DO NOT SCALE DRAWING	REFER TO ES0018 FOR FASTENER TIGHTENING GUIDELINES		
TITLE: DRAINAGE SYSTEM INSTL			
SHEET 1 OF 4	PART NO 183430	REV	
REF:	1	17-Feb-2015	

FOR DRAINAGE CALLOUTS SEE DWG NO 116229-01-000



*183430 *A

SINK-GALLEY
173783-01-CHT
STRAINER
092303-01-000 (2)
WASHER-RUBBER
127440-02-CHT
ANGLE-W/SLOTS
140002-01-CHT (10)

STRAP-CONDUIT
008406-01-000(2)
ELBOW
136111-01-000

TOILET-STYLE II
160815-01-CHT

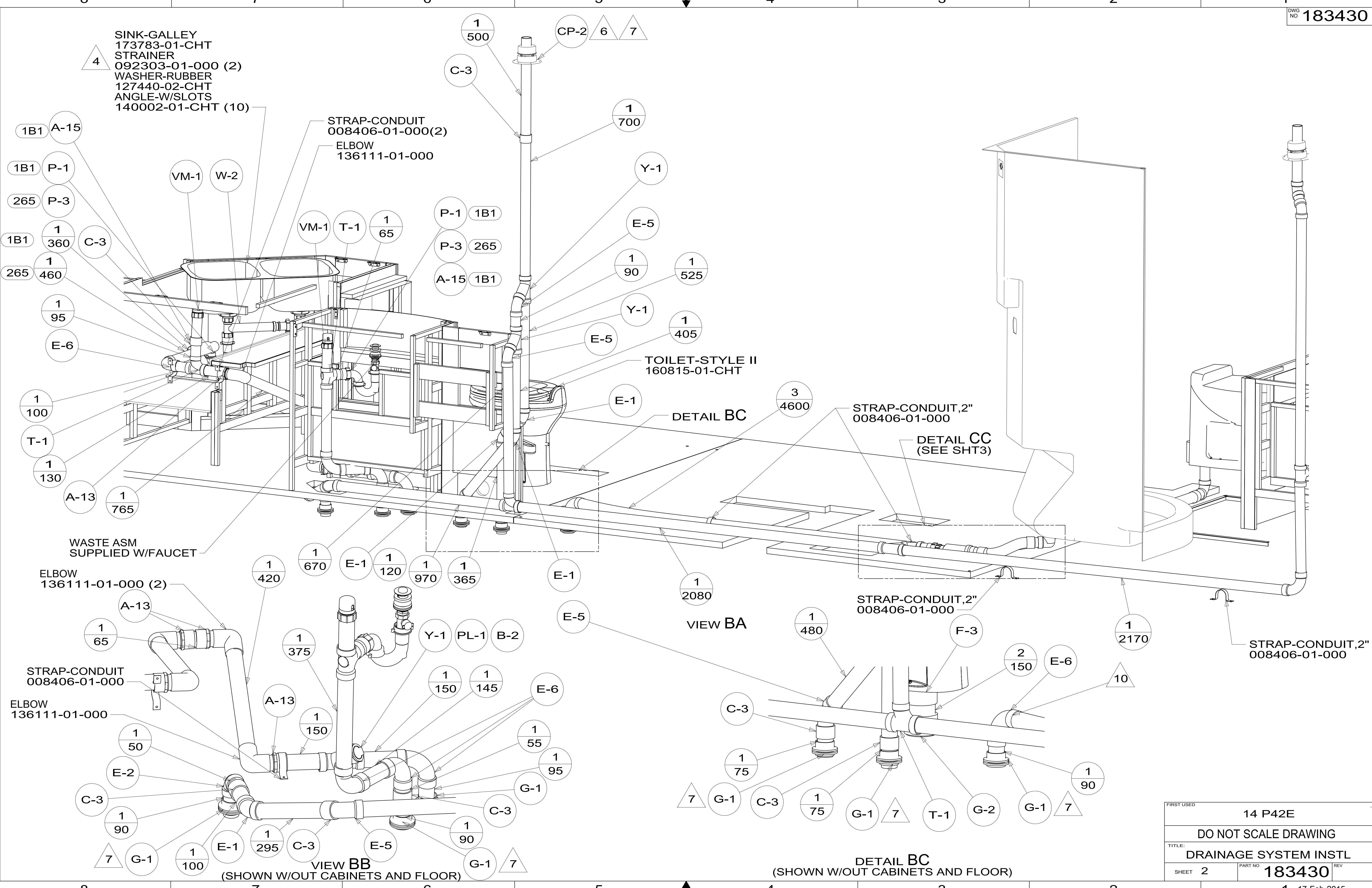
WASTE ASM
SUPPLIED W/FAUCET

STRAP-CONDUIT, 2"
008406-01-000

DETAIL CC
(SEE SHT3)

STRAP-CONDUIT, 2"
008406-01-000

STRAP-CONDUIT, 2"
008406-01-000



ELBOW
136111-01-000 (2)

STRAP-CONDUIT
008406-01-000

ELBOW
136111-01-000

VIEW BA

VIEW BB
(SHOWN W/OUT CABINETS AND FLOOR)

DETAIL BC
(SHOWN W/OUT CABINETS AND FLOOR)

FIRST USED	14 P42E
TITLE:	DO NOT SCALE DRAWING
TITLE:	DRAINAGE SYSTEM INSTL
SHEET 2	PART NO 183430
REV	17-Feb-2015

183430

7 6 CP-2

1 315

E-1

1 65

E-1

WASTE ASM SUPPLIED W/FAUCET

Y-1

1 1265

T-1

1 710

1 480

E-6

1B1 1 160

265 1 285

1B1 P-1

265 P-3

1B1 A-15

1 1085

VIEW CA

SHOWER INSTL 179476-01-000

DETAIL CB

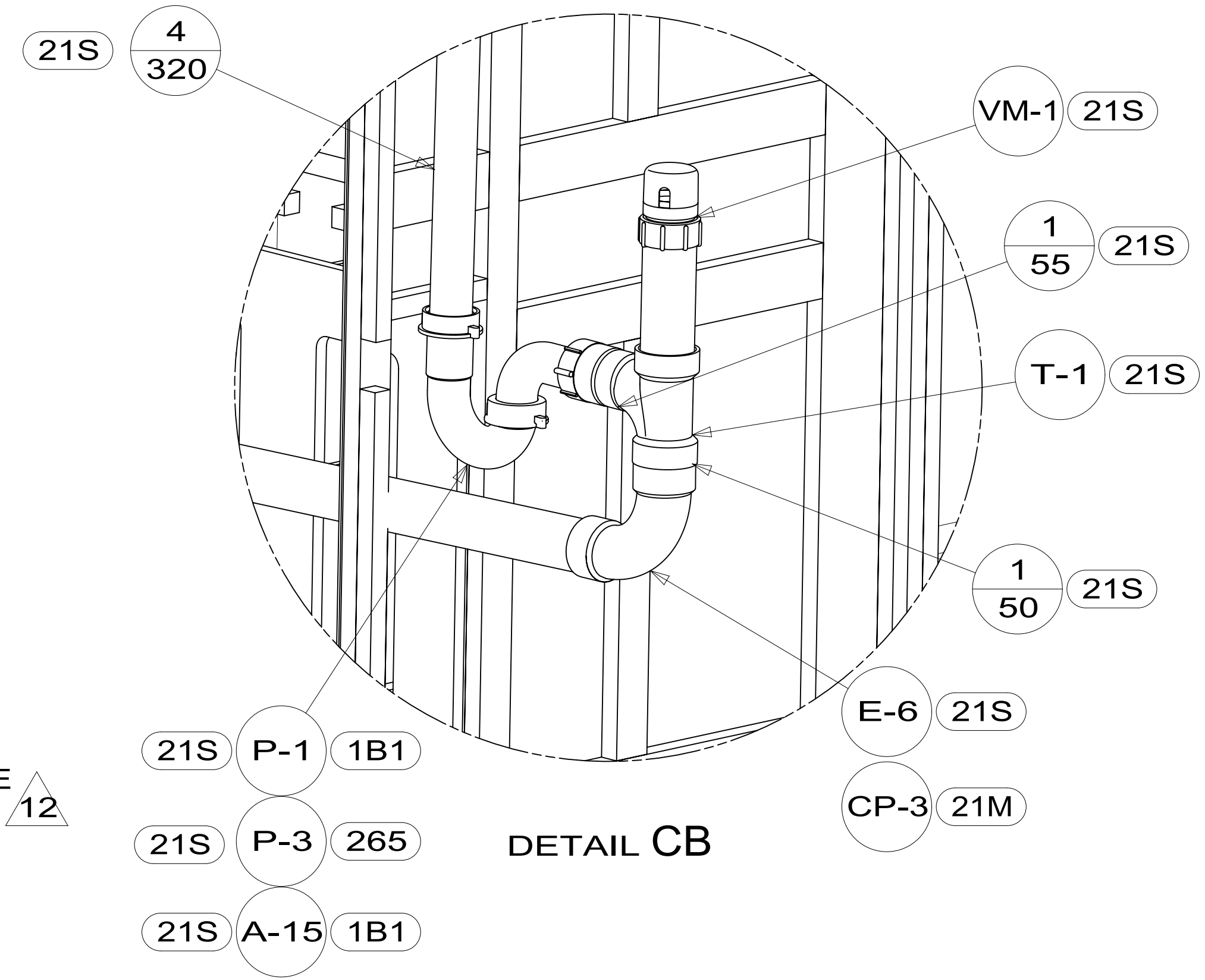
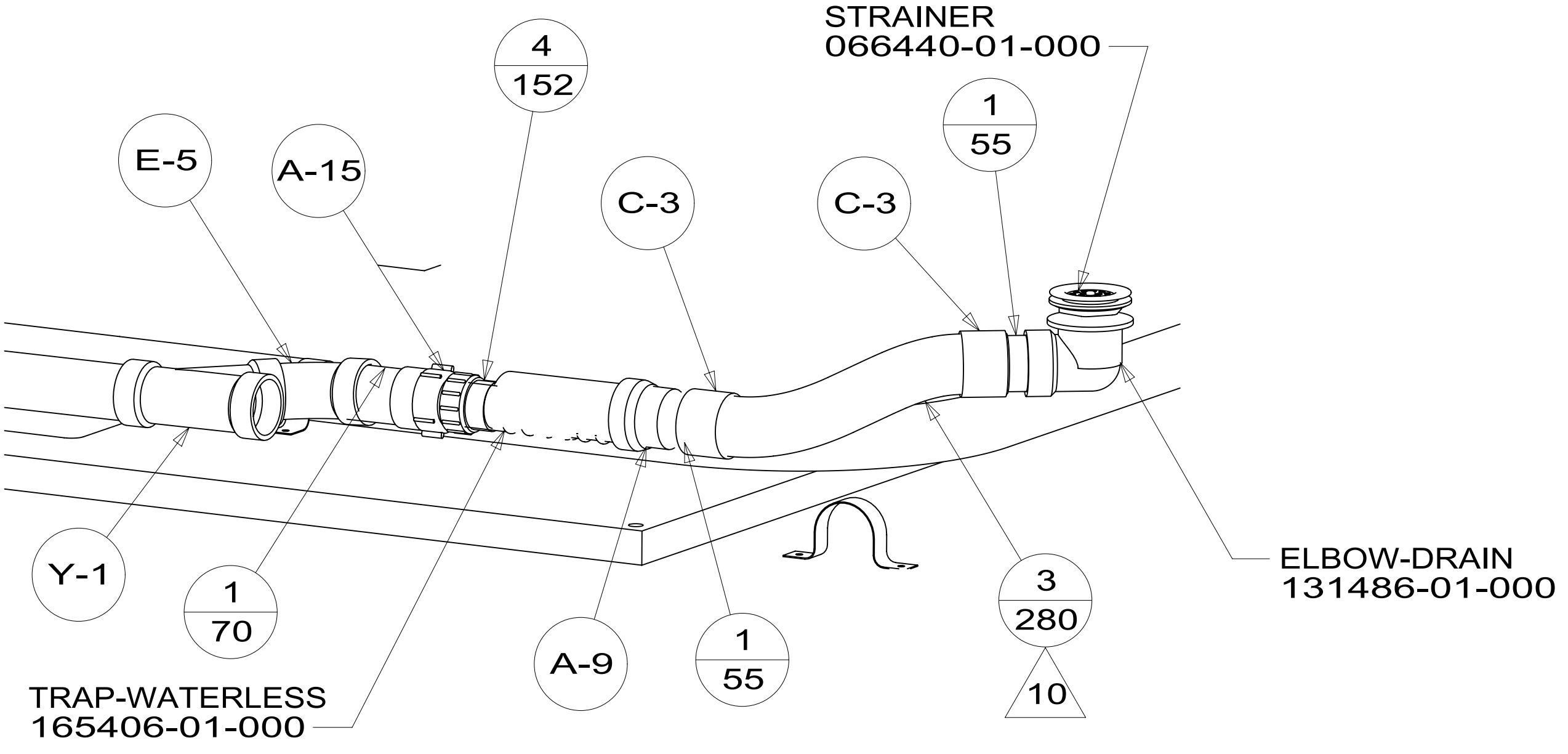
TOILET-SILENCE 170062-01-CHT 12

10 C-3

1 80

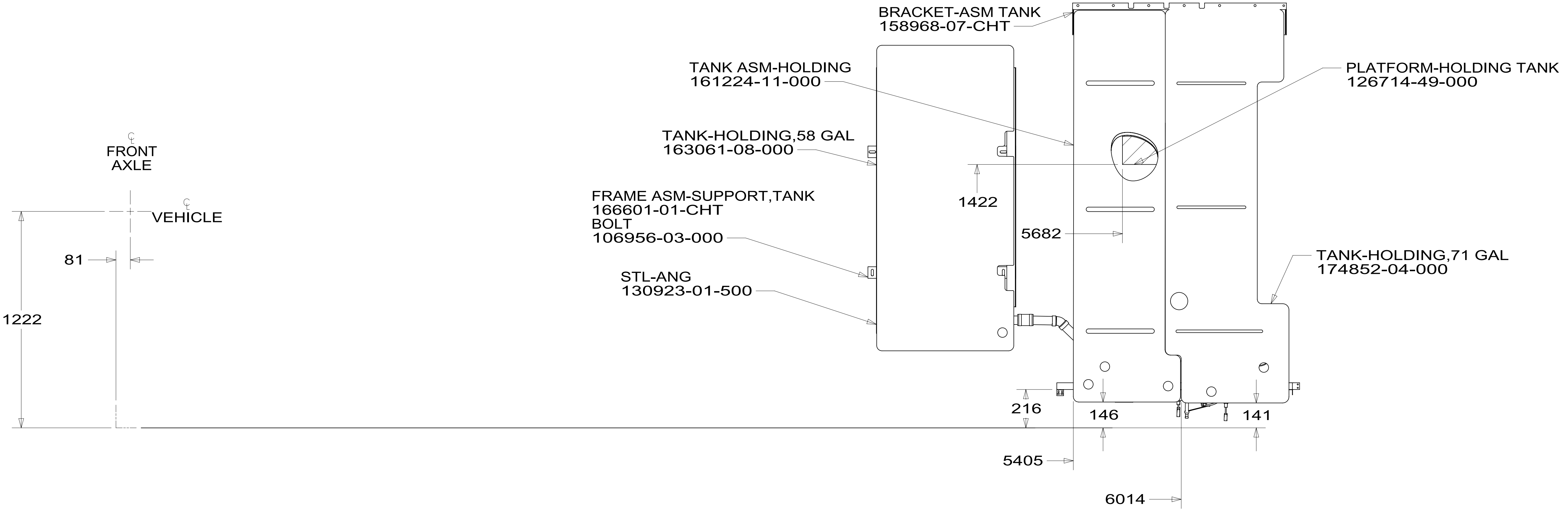
E-2

1 300

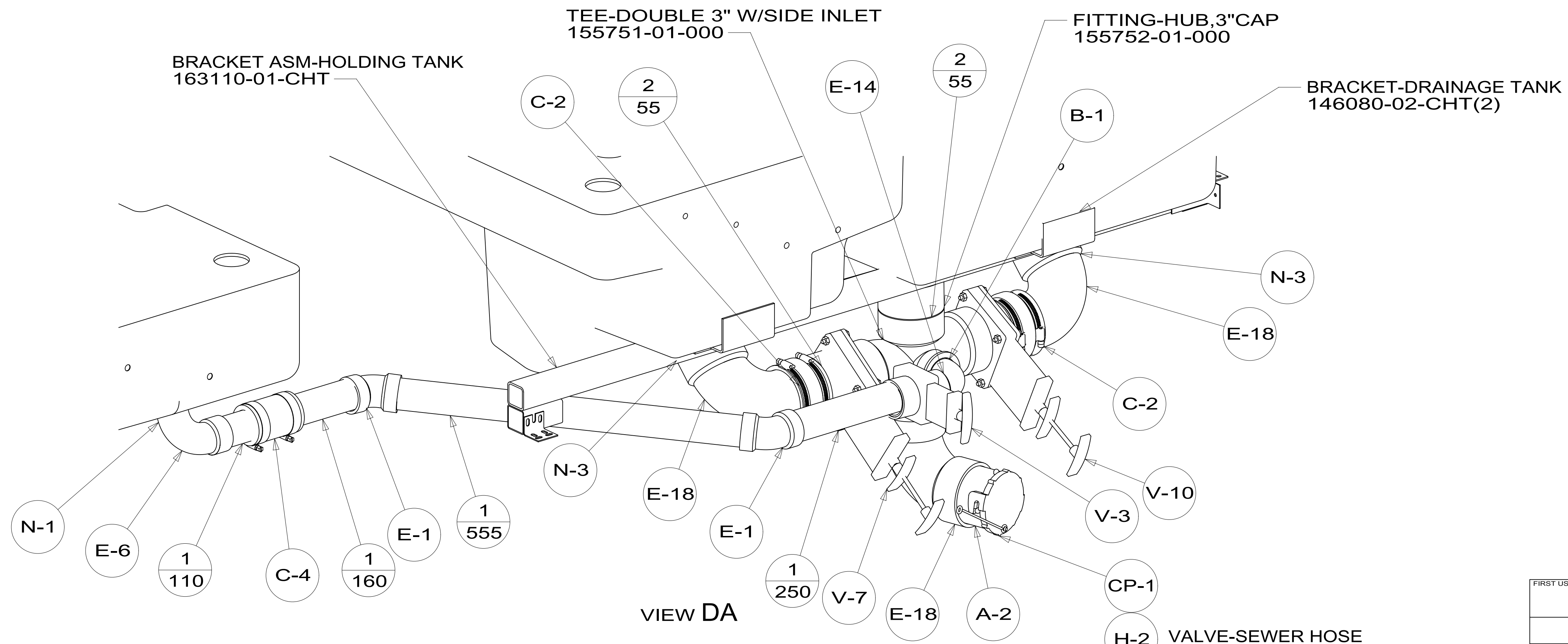


FIRST USED	14 P42E		
TITLE:	DO NOT SCALE DRAWING		
TITLE:	DRAINAGE SYSTEM INSTL		
SHEET 3	PART NO	183430	REV
			1 17-Feb-2015

183430



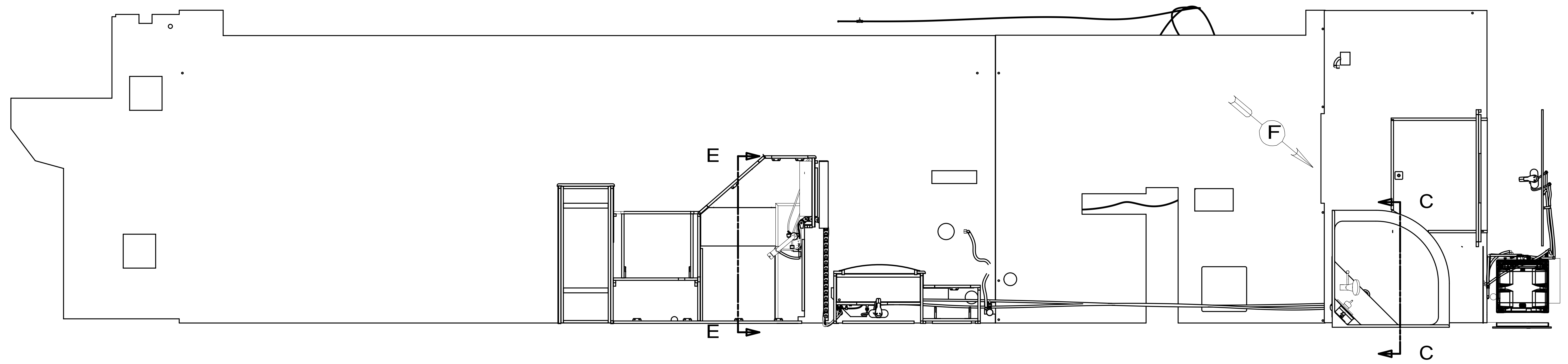
TOP VIEW SHOWING TANKS AND DRAINS



VALVE-SEWER HOSE
144728-01-000
CLAMP-HOSE
62401-09-000

FIRST USED	14 P42E	
TITLE:	DO NOT SCALE DRAWING	
TITLE:	DRAINAGE SYSTEM INSTL	
SHEET 4	PART NO	183430
	REV	1
		17-Feb-2015

*183430 *A



- NOTES:
1. PLASTIC FITTINGS TO BE SEALED WITH SEALANT 084456-01-000.
 2. TUBING TO BE INSTALLED WITH SUFFICIENT SLOPE TO PROVIDE DRAINAGE TO NEAREST VALVE.
 3. ALL TUBING TO BE SECURED AT 1200 INTERVALS MAXIMUM WITH CLAMP 010495-01-000 AND SCREW 000G67-10-12U OR EQUIVALENT.
 4. ADD TEFLON TAPE 010405-02-000.
 5. ADD PIPE WRAP (LADDER SCRAP 110157-02-000) INSULATION.
 6. LABEL HOT AND COLD SUPPLY TUBES AND TAPE FITTING TO TUBE BEFORE CABINET SET TO PREVENT MOVEMENT.
 7. ALL CRIMP FITTINGS TO 5/8" PEX TUBING REQUIRE 5/8" CLAMP 140171-04-000.
 8. ALL CRIMP FITTINGS TO 1/2" PEX TUBING REQUIRE 1/2" CLAMP 140171-03-000.
 9. VALVE MUST REMAIN OPEN AFTER WATER TEST.
 10. INSTALL FAUCET W/OUT BASEPLATE.

- (21S) WASHER & DRYER-PAIR
- (21M) WASHER/DRYER PREP

		COPYRIGHT 2014 WINNEBAGO INDUSTRIES, INC.
DFT-ORIG	ORIG. DATE	
CHKR	ALL DIMENSIONS ARE IN MILLIMETERS	
P.E.		
M.E.	FIRST USED	
DSNR	14 P42E	
UNSPECIFIED TOLERANCES ARE:		
WHOLE DIM (X)	: 3	
ONE-PLACE (X.X)	: 1.5	
TWO-PLACE (X.XX)	: 0.50	
ANGLE	: 1°	
THIRD ANGLE PROJECTION		
DO NOT SCALE DRAWING		REFER TO ES0018 FOR FASTENER TIGHTENING GUIDELINES
TITLE: WATER SYSTEM INSTL		
SHEET 1 OF 4	PART NO 183429	REV
REF:	1	24-Apr-2014

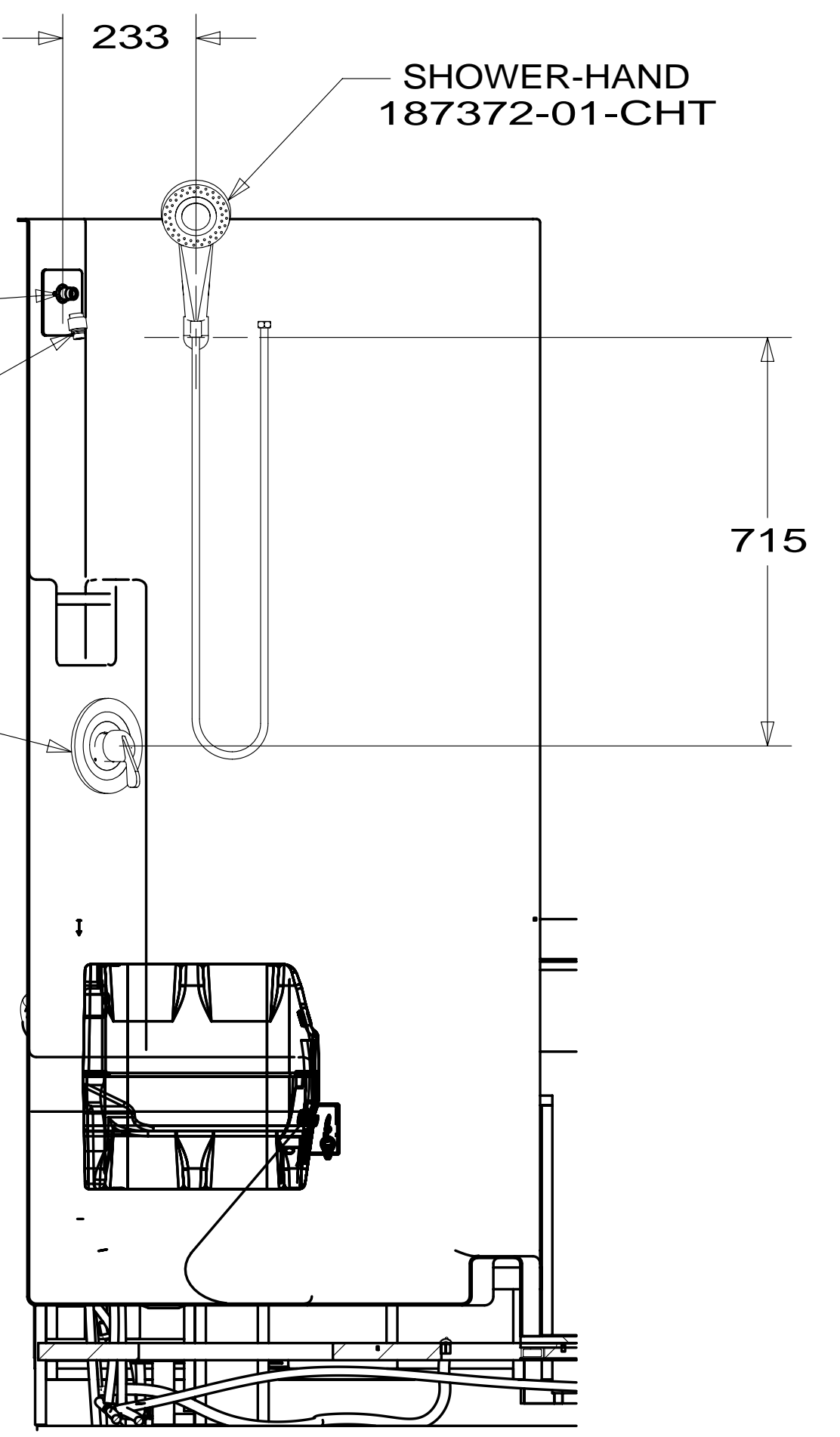
FOR WATER CALLOUTS SEE DWG NO 116230-01-000

* 183429 * A

DROP ELL
135028-02-CHT
SPACER
130041-05-CHT
PLATE-COVER
143218-01-CHT

VACUUM BREAKER
176678-01-CHT

FAUCET-VALVE, SHOWER
180180-01-CHT
FAUCET-TRIM KIT
180180-02-CHT



SECTION C-C
(SHOWN W/OUT CABINETS)

CLAMP-CLOSED
010497-10-000(2)

TU10
280

TU-9
120

E-43

E-43

CLAMP-CLOSED
010495-01-000

TU10
150

TU-9
135

T-28

TU10
90

T-28

TU-9
95

TU-9
100

TU10
550

TU-9
350

T-28

DETAIL D
(SHOWN W/OUT CABINETS)

BRACKET
131550-03-CHT

E-29

TU10
675

E-44

E-10

E-46

BRACKET-VALVE
159640-03-CHT

PLATFORM ASM
181266-01-000

E-46

PL-3

TO TOILET

TU-9
1900

E-44

TU-8
300

BREAKER-VACUUM
125697-04-000
CHECK VALVE
125697-03-000

A-27

E-43

FAUCET
178237-01-CHT

E-46

A-28
2

A-26
2

A-27
2

10

WATER HEATER
145541-01-000
CABLE ASM
076767-03-000
DOOR-WATER HEATER
125420-05-CHT
EXTR-STRAP
100885-51-034 (4)
SCREW
000G39-10-10U (16)

TU-9
2250

TU10
2380

TU-9
1150

TU10
1145

T-28

TU-9
65

T-28

TU10
3585

TU-9
1425

CLAMP-CLOSED
010497-10-000(2)

TU10
300

TU-9
300

TU-9
1070

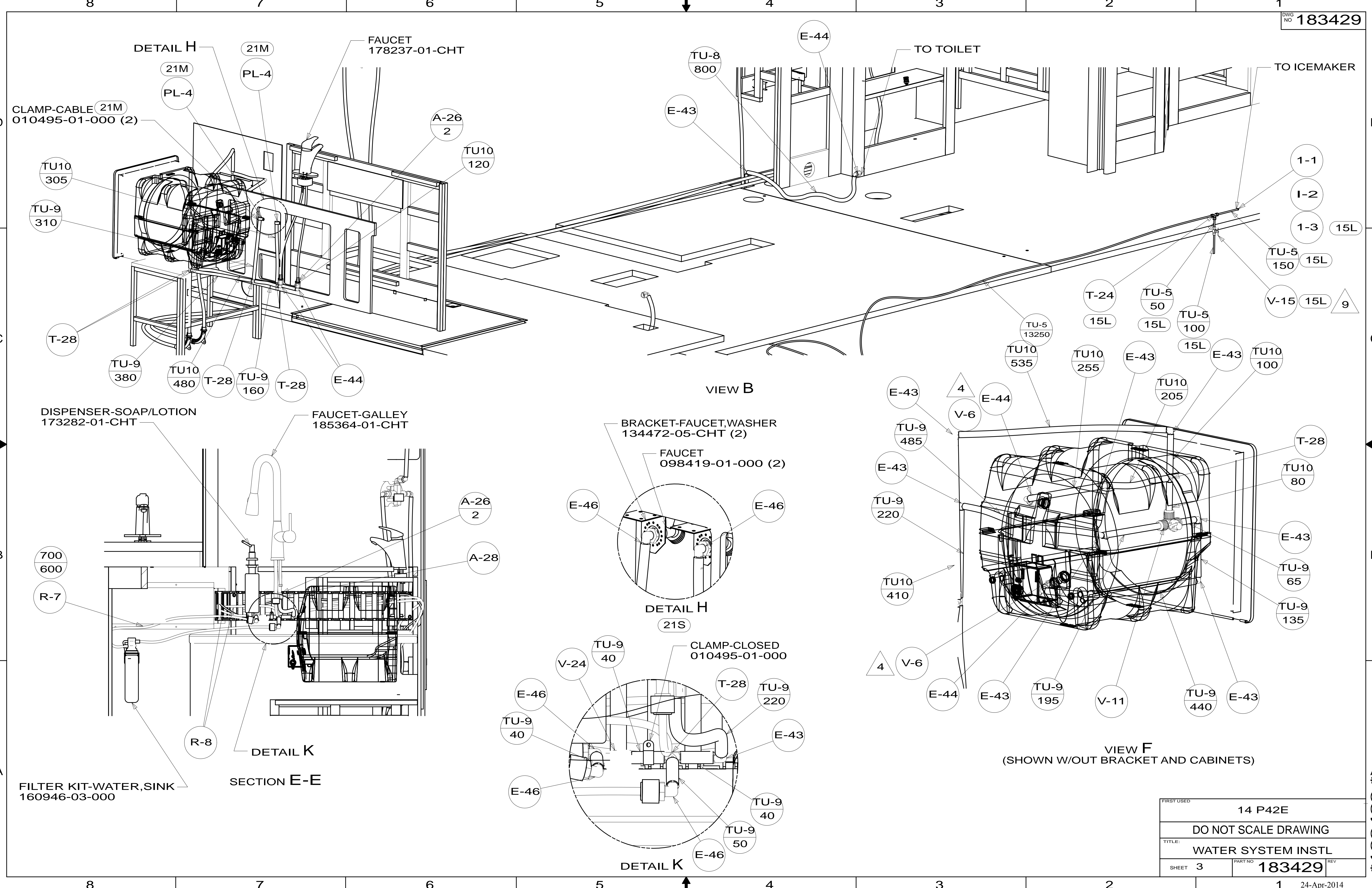
TU-9
3650

DETAIL D

VIEW A

FIRST USED	14 P42E	
TITLE:	DO NOT SCALE DRAWING	
	WATER SYSTEM INSTL	
SHEET 2	PART NO 183429	REV

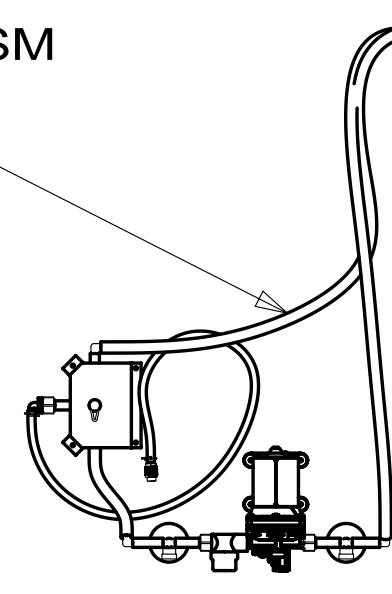
* 183429 * A



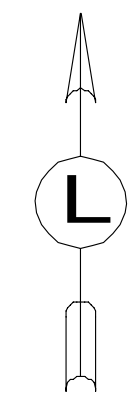
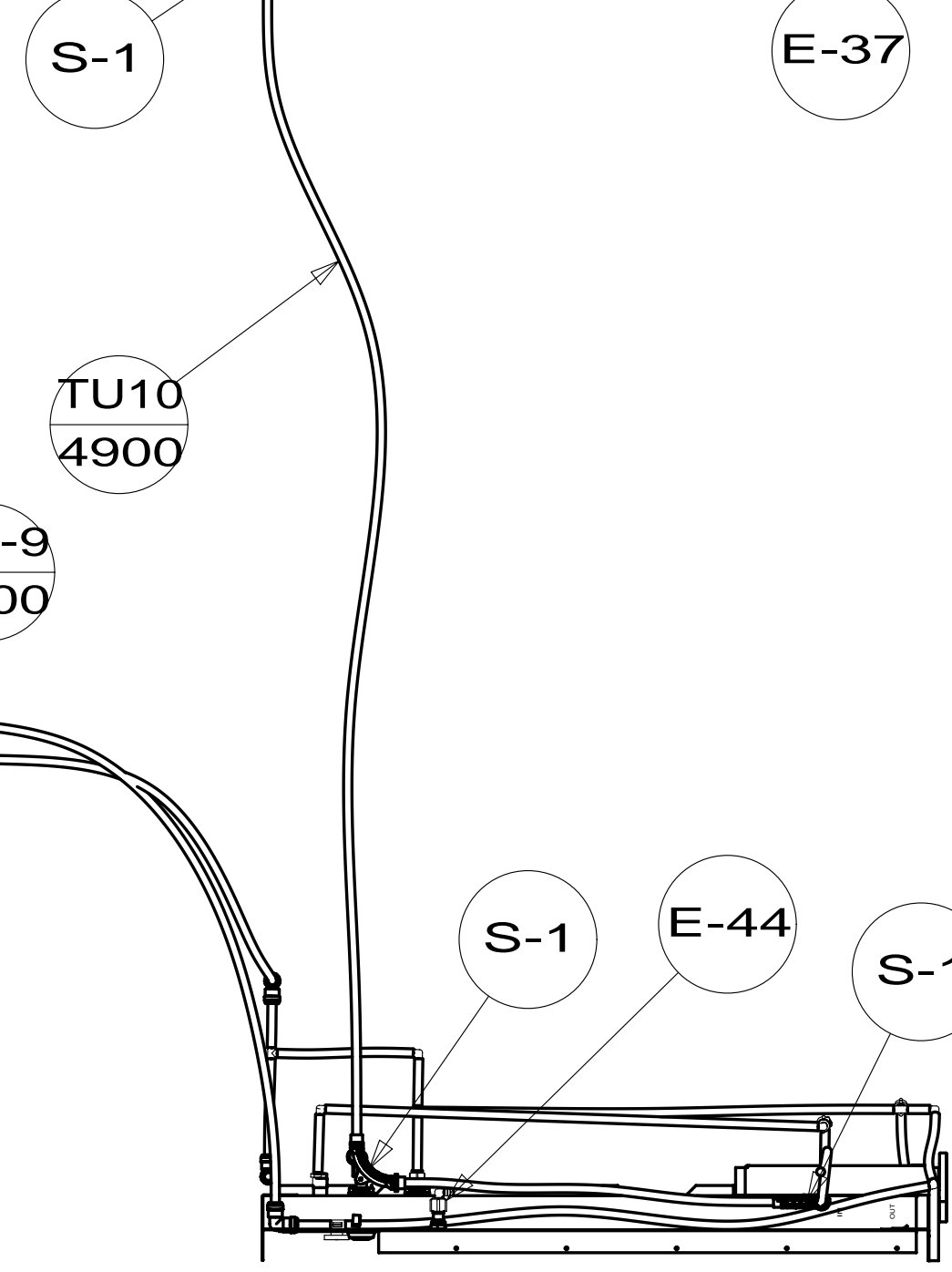
FIRST USED	14 P42E	
DO NOT SCALE DRAWING		
TITLE:	WATER SYSTEM INSTL	
SHEET 3	PART NO	183429
		REV
		24-Apr-2014

*183429 *A

WATER PUMP CENTER ASM
182945-01-XXX

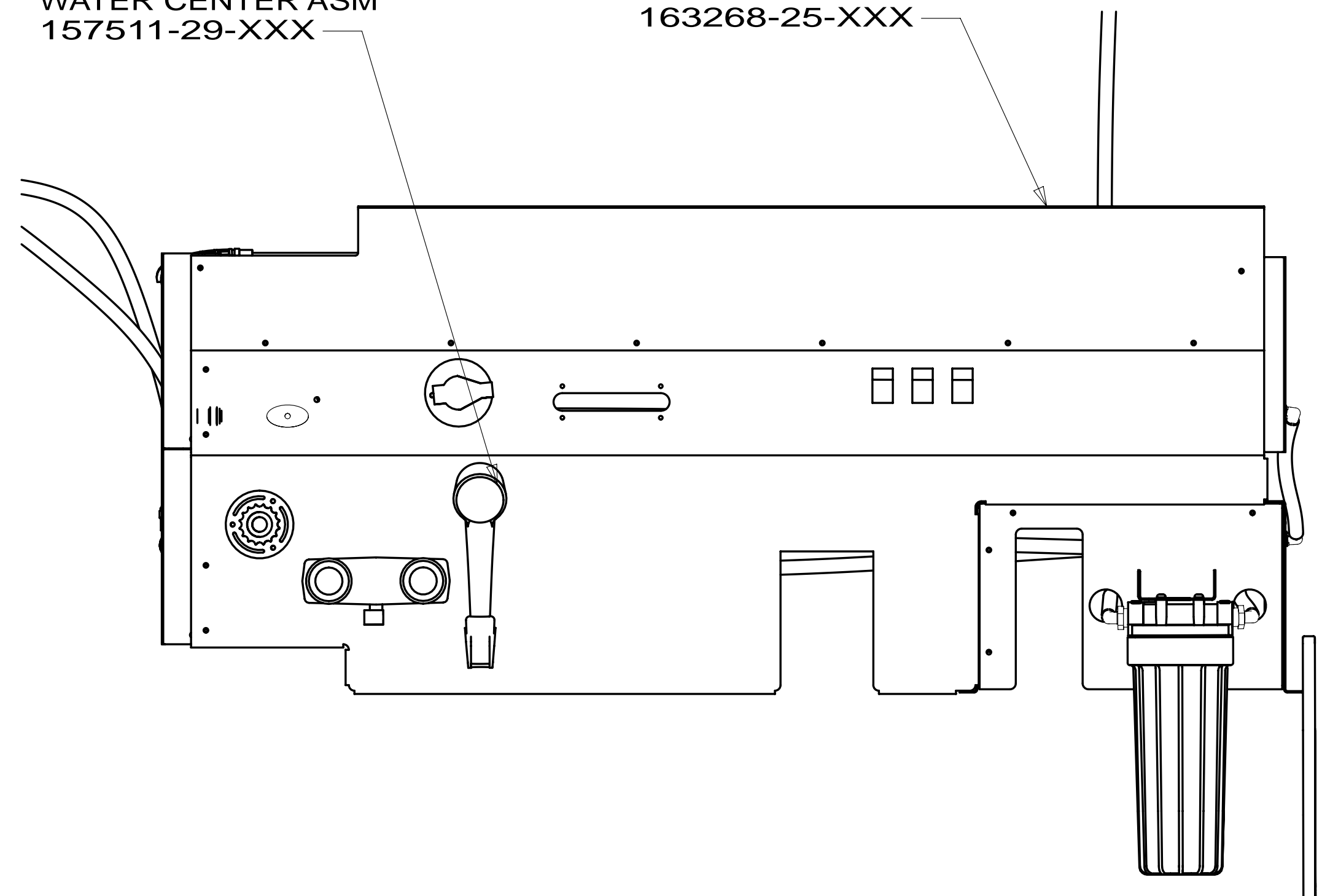


SHOWING LINES UNDER FLOOR



WATER CENTER ASM
157511-29-XXX

SERVICE CTR ASM
163268-25-XXX



VIEW L

FIRST USED	14 P42E		
TITLE:	DO NOT SCALE DRAWING		
TITLE:	WATER SYSTEM INSTL		
SHEET 4	PART NO	183429	REV
1 24-Apr-2014			

*183429 *A