

DATUM

1B1 CODES/STANDARDS USA  
 265 CODES/STANDARDS-CSA/CMVSS

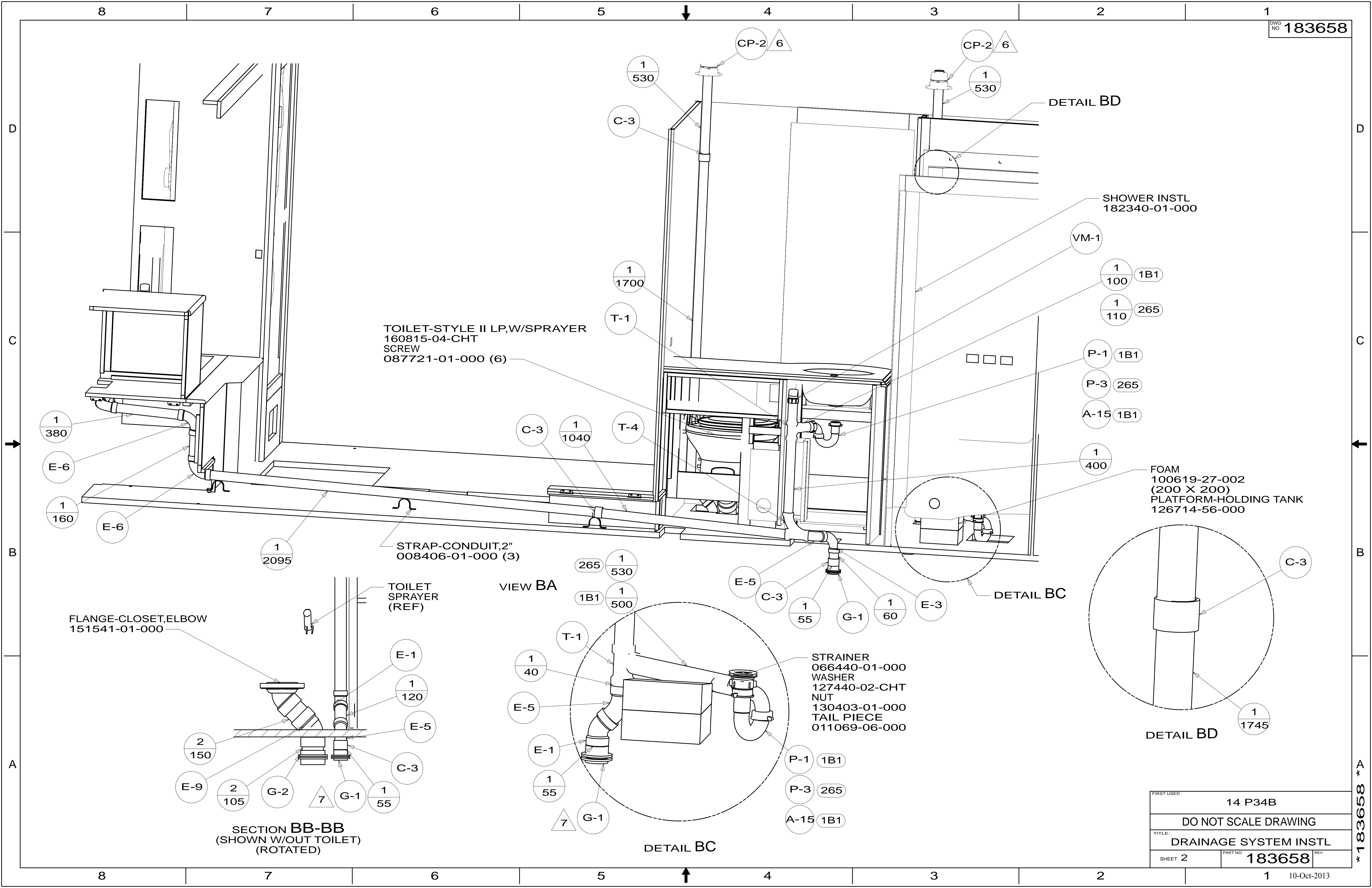
9. SEE DRAWING 061607 FOR INSTALLATION OF GROMMETS.
8. SECURE DRAINAGE PIPES TO CABINET USING WIRE TIE 108046-02-000, AND SCREW 000G67-10-12U AT INTERVALS OF NOT OF NOT MORE THAN 4 FEET APART.
7. SECURE VENT PIPE TO FLOOR WITH CLAMP 062401-02-000.
6. VENT PIPE MUST PROJECT 51 MIN AND 64 MAX ABOVE ROOF FOR PROPER FIT AND FUNCTION. ADD S-1 (116666-01-CHT SEAL-VENT PIPE) AROUND PIPE ON ROOF BEFORE VENT CAP IS INSTALLED.
5. SEAL AROUND SHOWER WITH SILICONE.
4. USE SMOOTH PLUMBERS PUTTY 167459-01-000 TO SEAL STRAINER (0.2 PER STRAINER).
3. ALL PIPE AND FITTINGS TO BE ASSEMBLED WITH SOLVENT 004020-01-000 (USA), 004020-02-000 (CAN)
2. SLOPE OF TRAP ARM MUST BE 6 PER 305 mm.
1. SLOPE OF HORIZONTAL PIPING TO BE MINIMUM OF 3 PER 305 mm.

NOTES:

		COPYRIGHT 2013 WINNEBAGO INDUSTRIES, INC.
DFT-ORIG	ORIG. DATE	
CHKR	ALL DIMENSIONS ARE IN MILLIMETERS	
P.E.		
M.E.	FIRST USED	
DSNR	14 P34B	
UNSPECIFIED TOLERANCES ARE:		MATERIAL:
WHOLE DIM (X)	: 3	
ONE-PLACE (X.X)	: 1.5	
TWO-PLACE (X.XX)	: 0.50	
ANGLE	: 1°	
THIRD ANGLE PROJECTION		
DO NOT SCALE DRAWING		REFER TO ES0018 FOR FASTENER TIGHTENING GUIDELINES
TITLE: DRAINAGE SYSTEM INSTL		
SHEET 1 OF 4	PART NO 183658	REV
REF:	1	10-Oct-2013

FOR DRAINAGE CALLOUTS SEE DWG NO 116229-01-000

\* 183658 \*



TOILET-STYLE II LP,W/SPRAYER  
160815-04-CHT  
SCREW  
087721-01-000 (6)

SHOWER INSTL  
182340-01-000

FOAM  
100619-27-002  
(200 X 200)  
PLATFORM-HOLDING TANK  
126714-56-000

FLANGE-CLOSET,ELBOW  
151541-01-000

STRAINER  
066440-01-000  
WASHER  
127440-02-CHT  
NUT  
130403-01-000  
TAIL PIECE  
011069-06-000

SECTION BB-BB  
(SHOWN W/OUT TOILET)  
(ROTATED)

DETAIL BC

DETAIL BD

FIRST USED	14 P34B	
TITLE:	DO NOT SCALE DRAWING	
TITLE:	DRAINAGE SYSTEM INSTL	
SHEET 2	PART NO	183658
	REV	
		10-Oct-2013

\* 183658 \* A

- SINK-GALLEY, DBL
- 184806-01-CHT
- STRAINER
- 092303-01-000 (2)
- SEAL (A/R)
- WASHER
- 127440-02-CHT (2)
- ANGLE-W/SLOT
- 140002-01-CHT (10)



STRAP-CONDUIT, 2" 008406-01-000 (3)

DETAIL CB

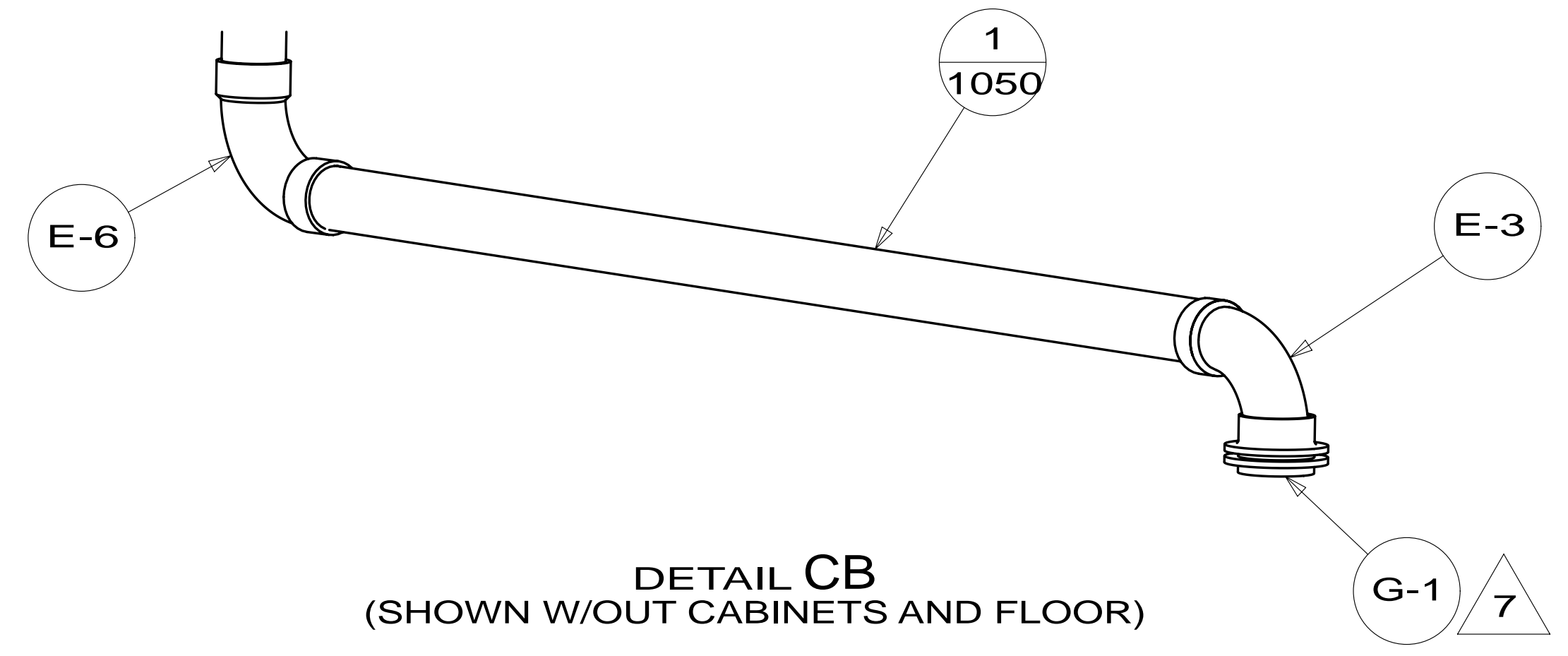
VIEW CA

- 21S 1B1 P-1
- 21S 265 P-3
- 21S 1B1 A-15

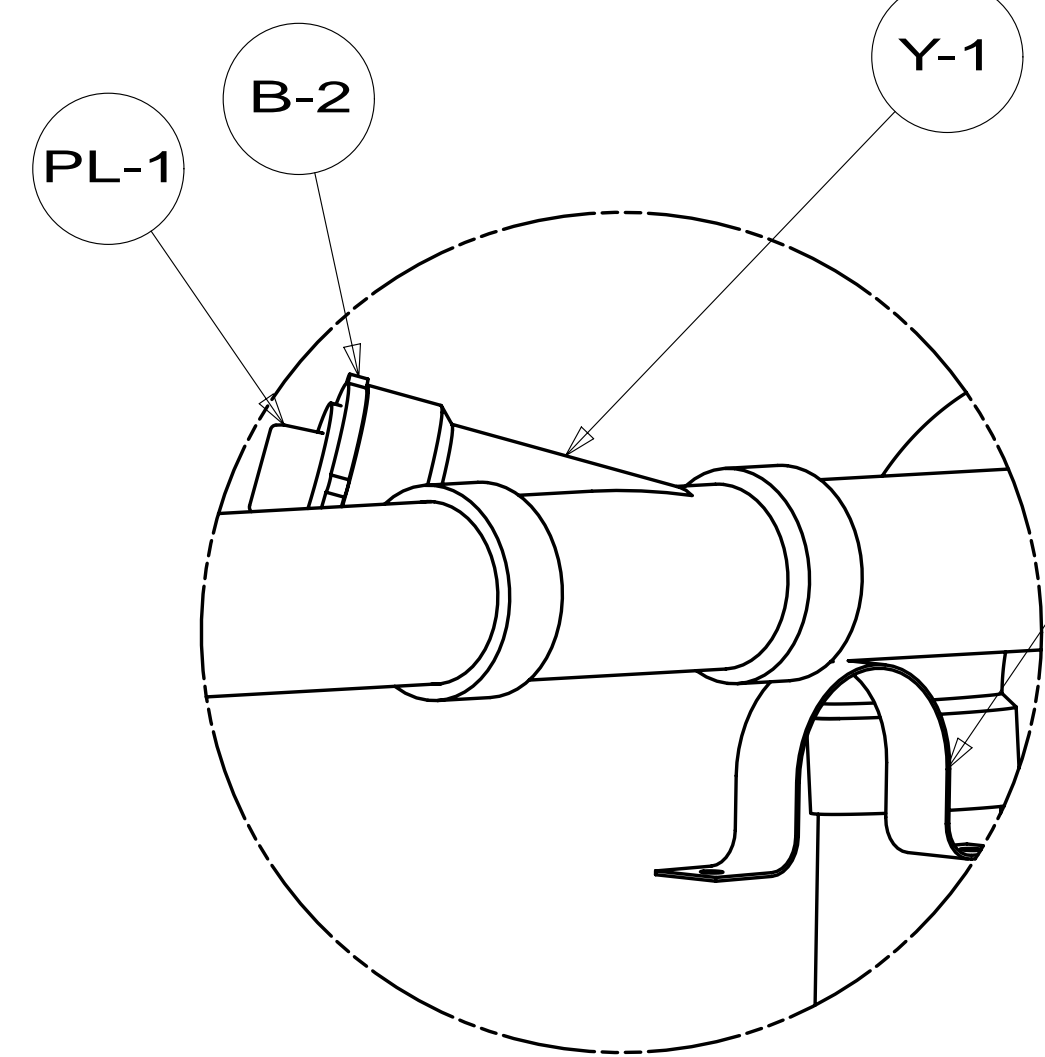
- 21S 1B1 1 240
- 21S 265 1 260

- 21S 1 50
- E-6 21S
- CP-3 21M

1 930



DETAIL CB  
(SHOWN W/OUT CABINETS AND FLOOR)

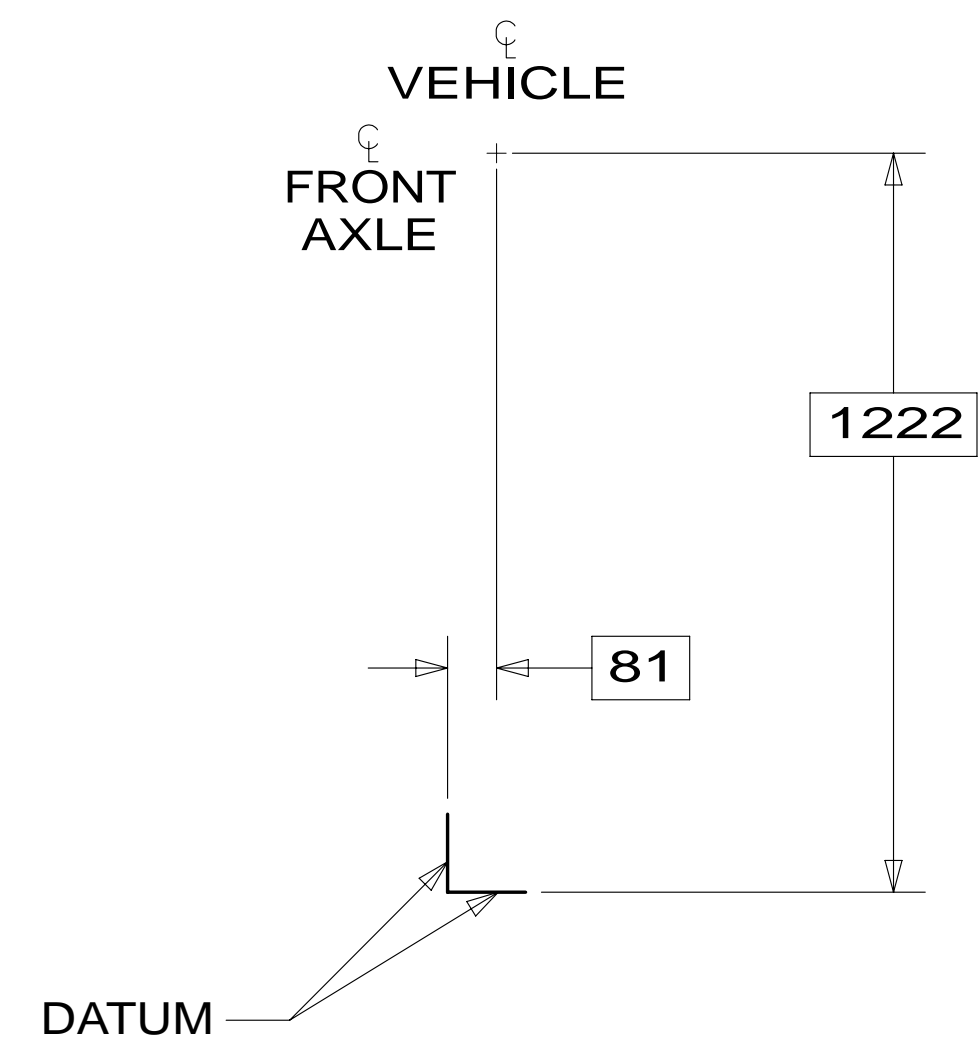


DETAIL CC  
(SHOWN W/OUT CABINETS)

STRAP-CONDUIT, 2" 008406-01-000

FIRST USED	14 P34B	
TITLE:	DO NOT SCALE DRAWING	
	DRAINAGE SYSTEM INSTL	
SHEET 3	PART NO 183658	REV
		10-Oct-2013

\* 183658 \* A

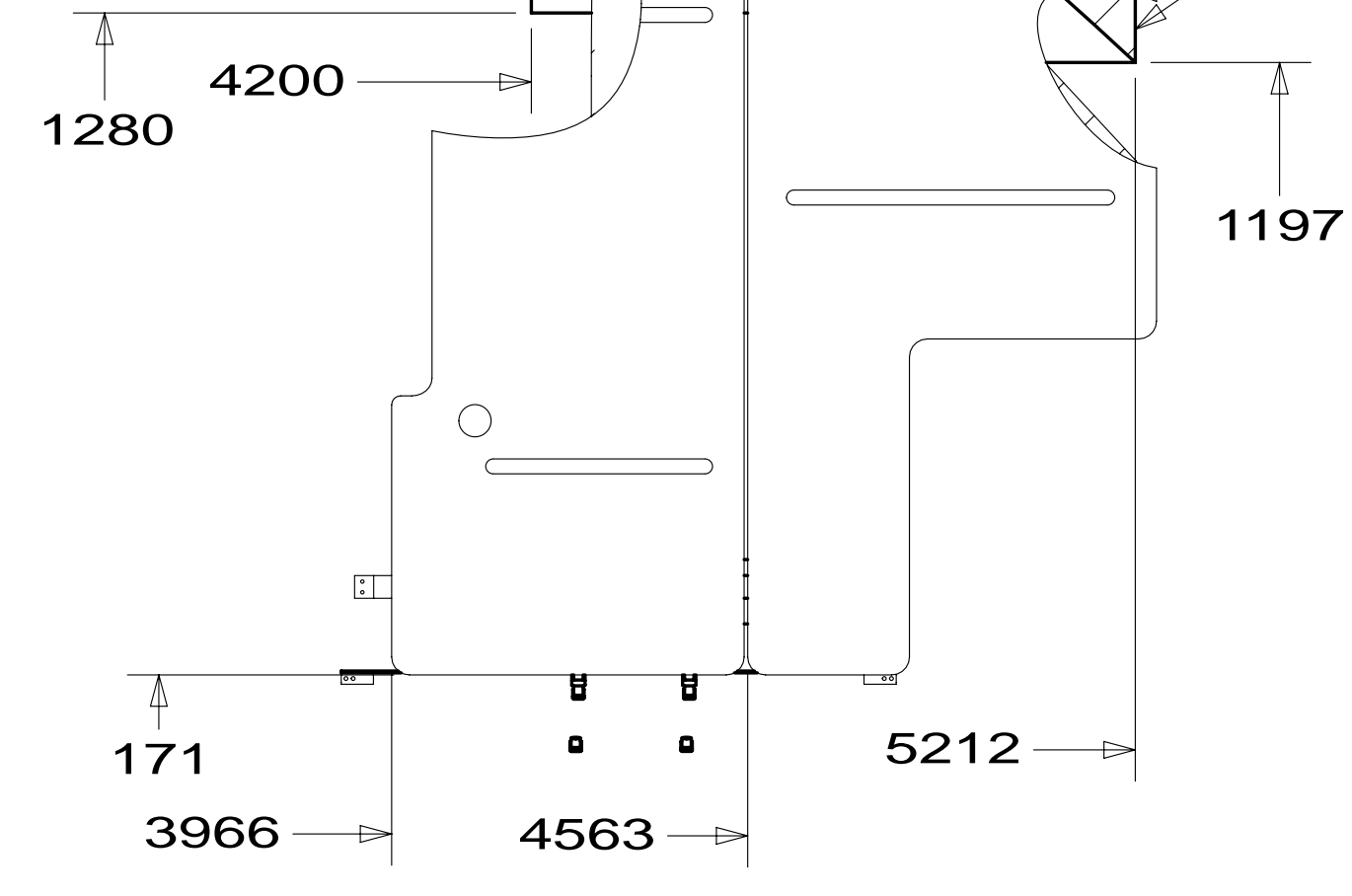


BRACKET ASM-TANK DRAIN  
161759-07-CHT

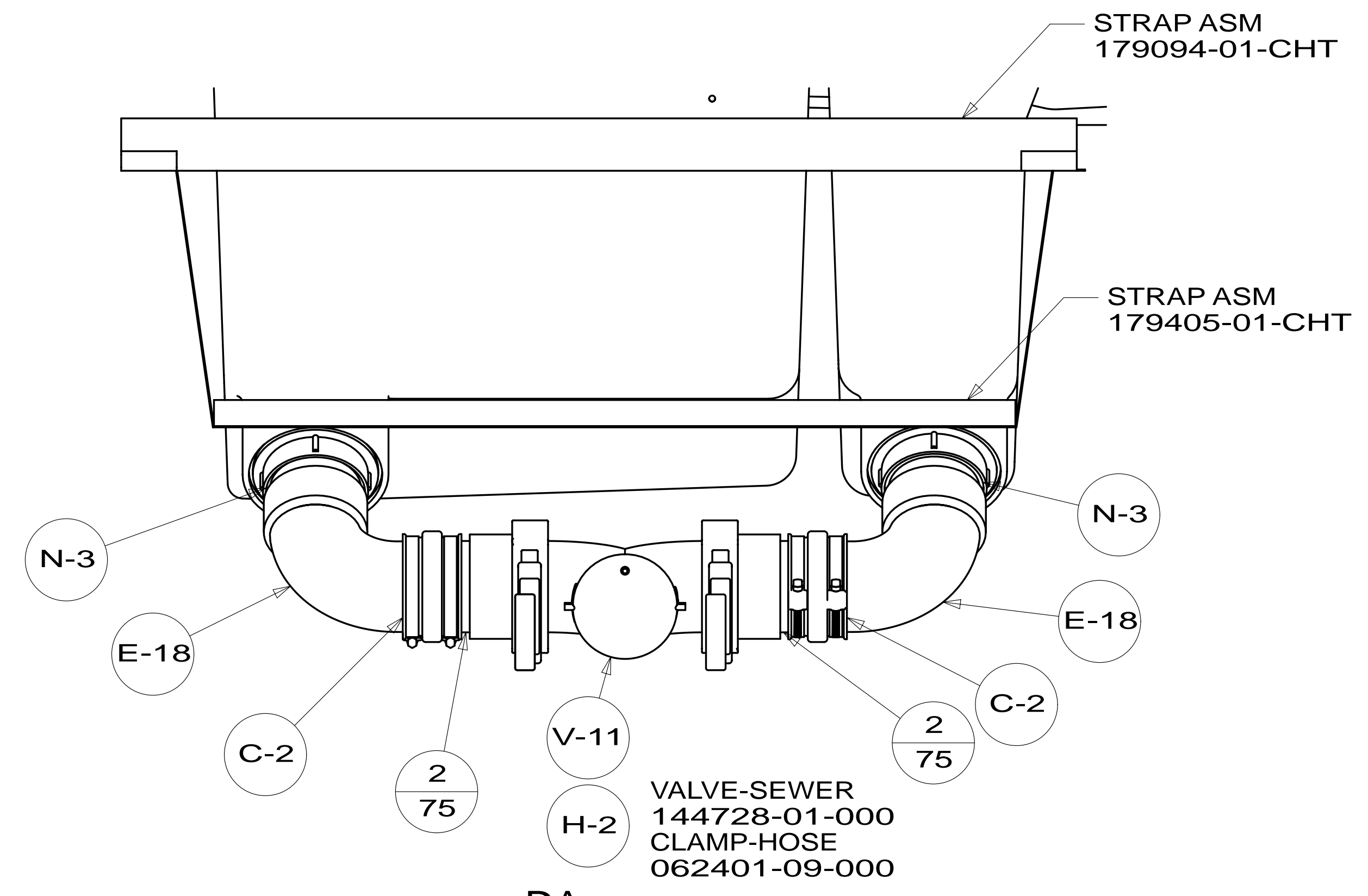
TANK ASM-HOLDING  
182576-03-000

TANK ASM-HOLDING  
178217-04-000

PLATFORM-HOLDING TANK  
126714-17-000 (2)



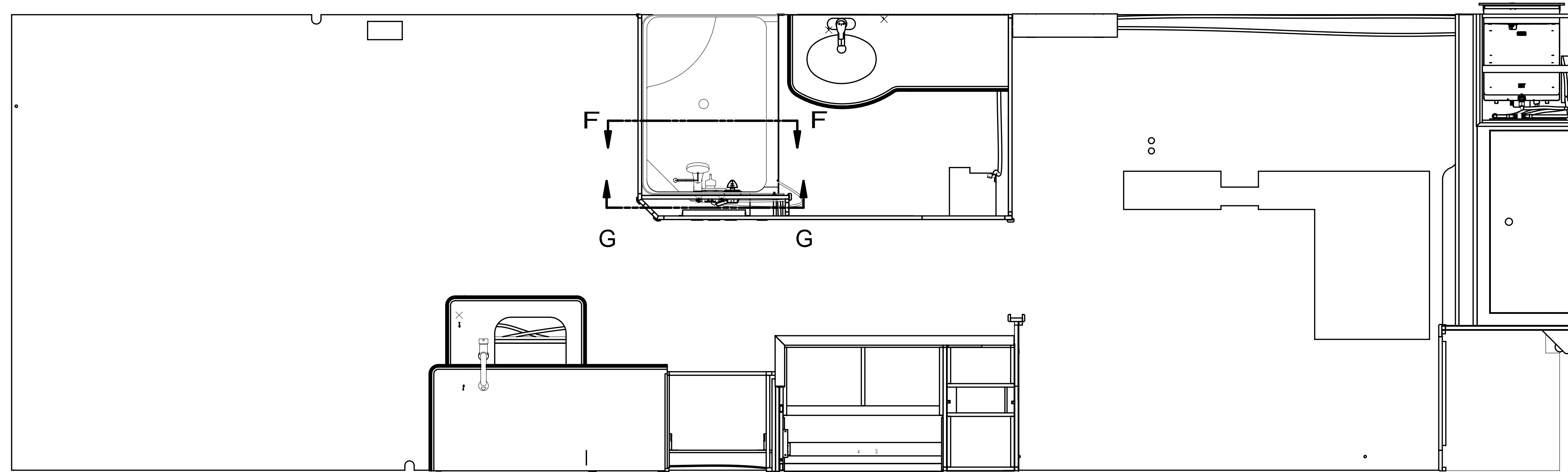
### TOP VIEW SHOWING ONLY DRAINS AND TANKS



VIEW DA

FIRST USED	14 P34B	
DO NOT SCALE DRAWING		
TITLE: DRAINAGE SYSTEM INSTL		
SHEET 4	PART NO 183658	REV
		10-Oct-2013

\* 183658 \* A



- NOTES:
- 1. PLASTIC FITTINGS TO BE SEALED WITH SEALANT 084456-01-000.
  - 2. TUBING TO BE INSTALLED WITH SUFFICIENT SLOPE TO PROVIDE DRAINAGE TO NEAREST VALVE.
  - 3. ALL TUBING TO BE SECURED AT 1200 INTERVALS MAXIMUM WITH CLAMP 010495-01-000 AND SCREW 000G67-10-12U OR EQUIVALENT.
  - 4. ADD TEFLON TAPE 010405-02-000.
  - 5. ADD PIPE WRAP (LADDER SCRAP 110157-02-000) INSULATION.
  - 6. LABEL HOT AND COLD SUPPLY TUBES AND TAPE FITTING TO TUBE BEFORE CABINET SET TO PREVENT MOVEMENT.
  - 7. ALL CRIMP FITTINGS TO 5/8" PEX TUBING REQUIRE 5/8" CLAMP 140171-04-000.
  - 8. ALL CRIMP FITTINGS TO 1/2" PEX TUBING REQUIRE 1/2" CLAMP 140171-03-000.
  - 9. VALVE MUST REMAIN OPEN AFTER WATER TEST.
  - 10. INSTALL FAUCET WITHOUT BASEPLATE.

- 21M WASHER/DRYER PREP
- 21S WASHER & DRYER-PAIR

		COPYRIGHT 2013 WINNEBAGO INDUSTRIES, INC.
DFT-ORIG	ORIG. DATE	
CHKR	ALL DIMENSIONS ARE IN MILLIMETERS	
P.E.		
M.E.	FIRST USED	
DSNR	14 P34B	
UNSPECIFIED TOLERANCES ARE:		
WHOLE DIM (X)	: 3	
ONE-PLACE (X.X)	: 1.5	
TWO-PLACE (X.XX)	: 0.50	
ANGLE	: 1°	
THIRD ANGLE PROJECTION		
DO NOT SCALE DRAWING		REFER TO ES0018 FOR FASTENER TIGHTENING GUIDELINES
TITLE: WATER SYSTEM INSTL		
SHEET 1 OF 4	PART NO	183659
REF:	1	11-Oct-2013

FOR WATER CALLOUTS SEE DWG NO 116230-01-000

\* 183659 \* A



- WATER HEATER  
145541-01-000
- DOOR  
125420-05-CHT
- AL EXTR  
100885-51-034 (3)
- SCREW  
088860-51-004
- SCREW  
000G39-10-169 (16)
- CABLE ASM  
076767-03-000
- SCREW  
113563-01-CHT
- SEALANT  
069640-03-000

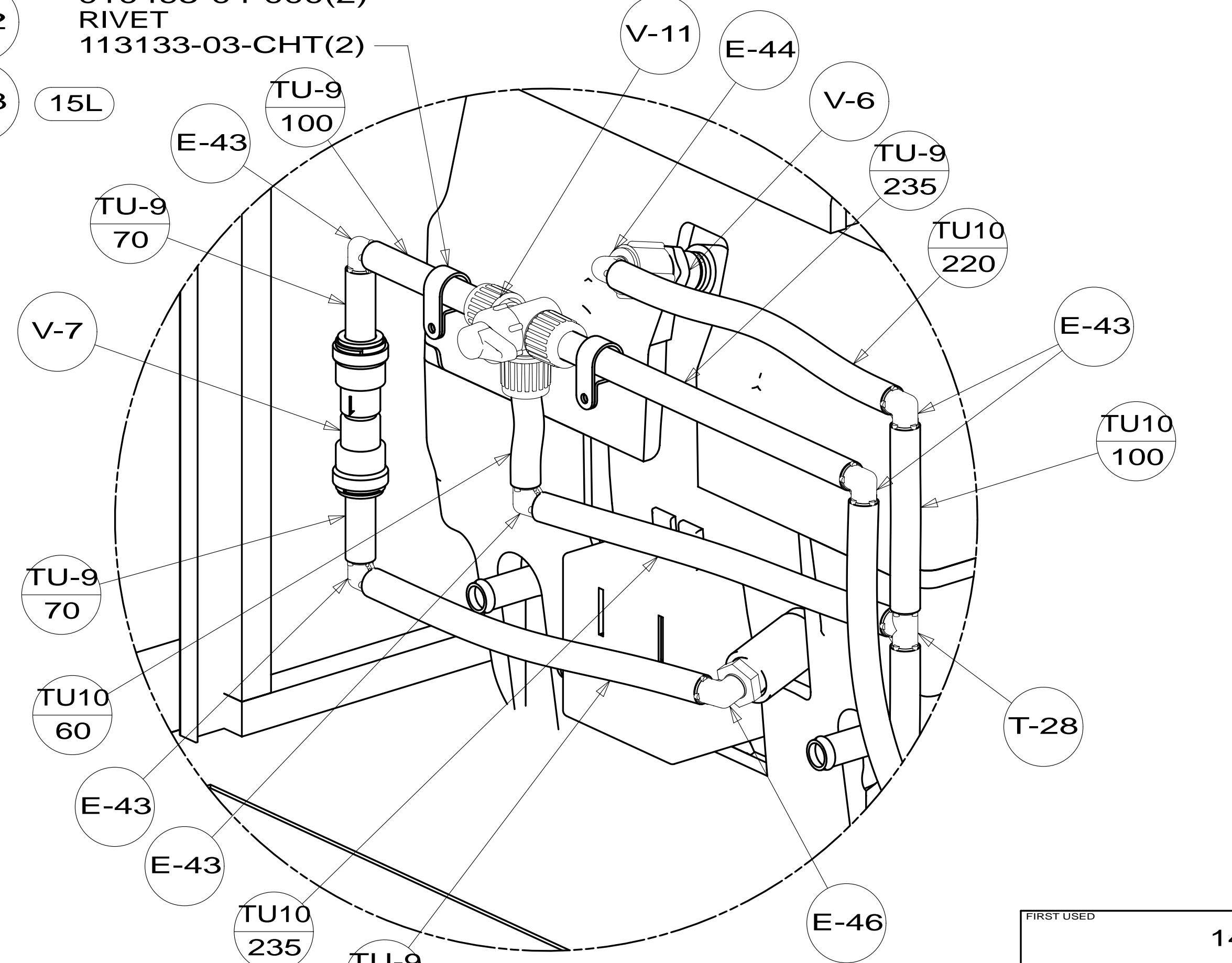
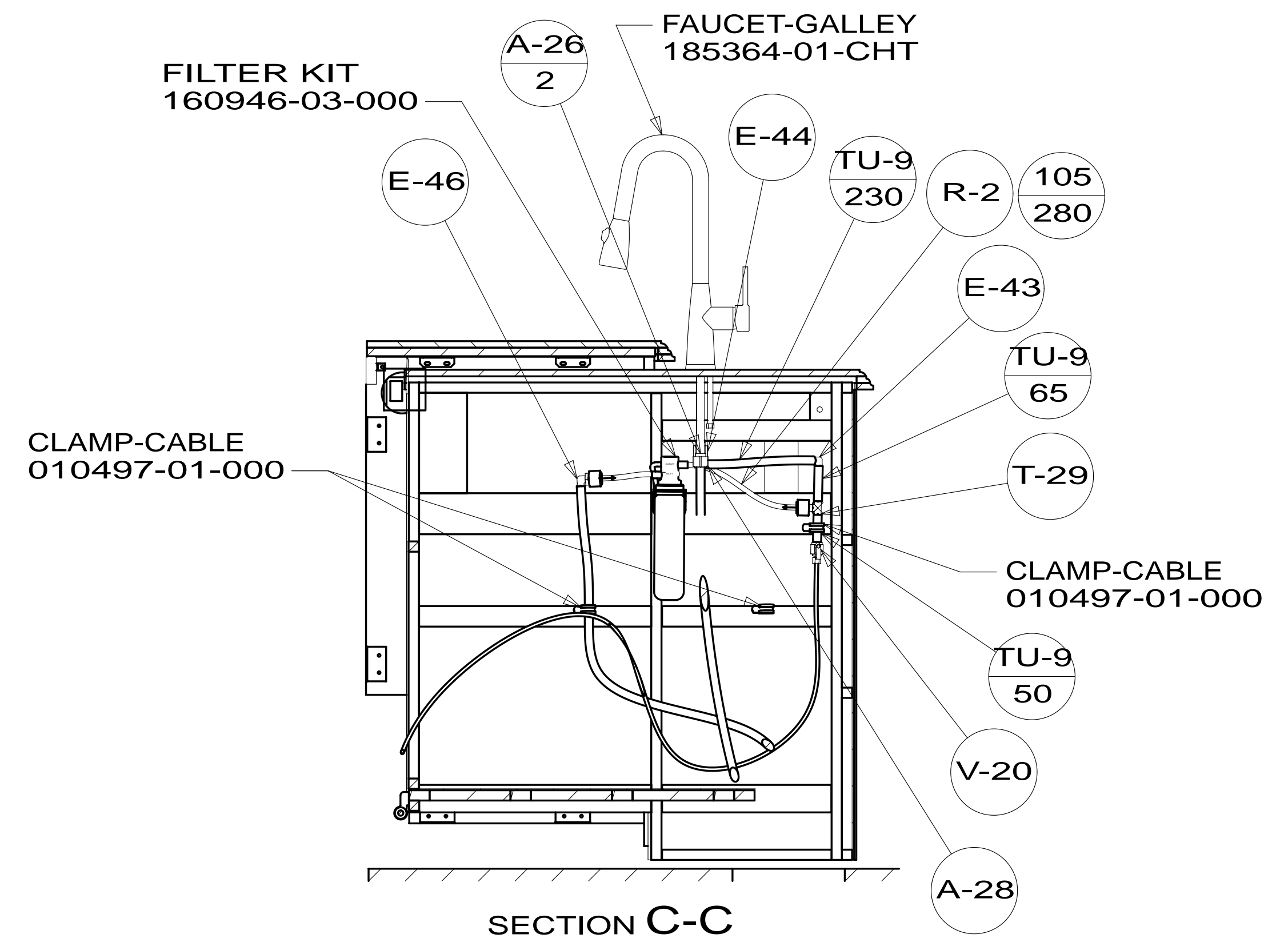
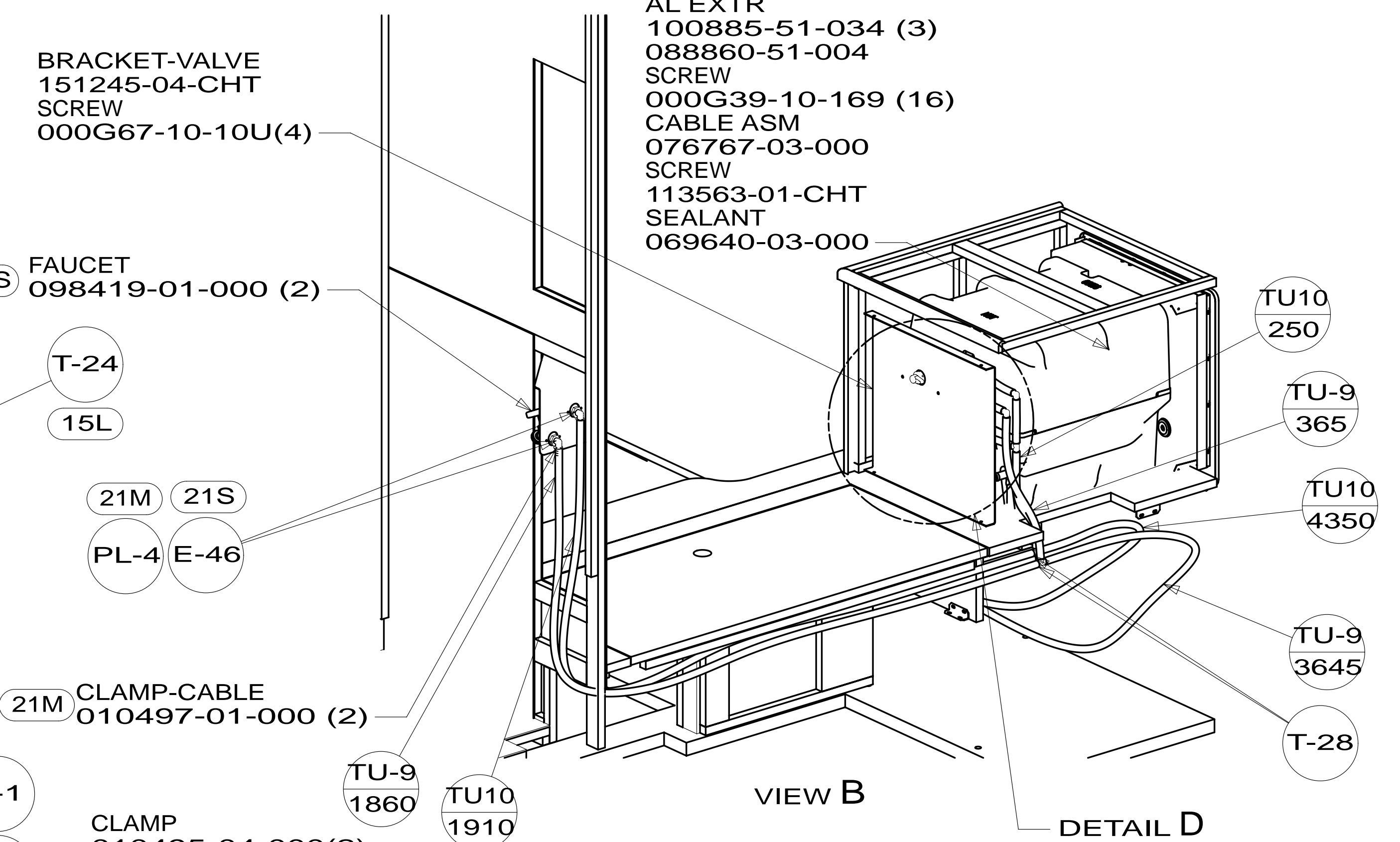
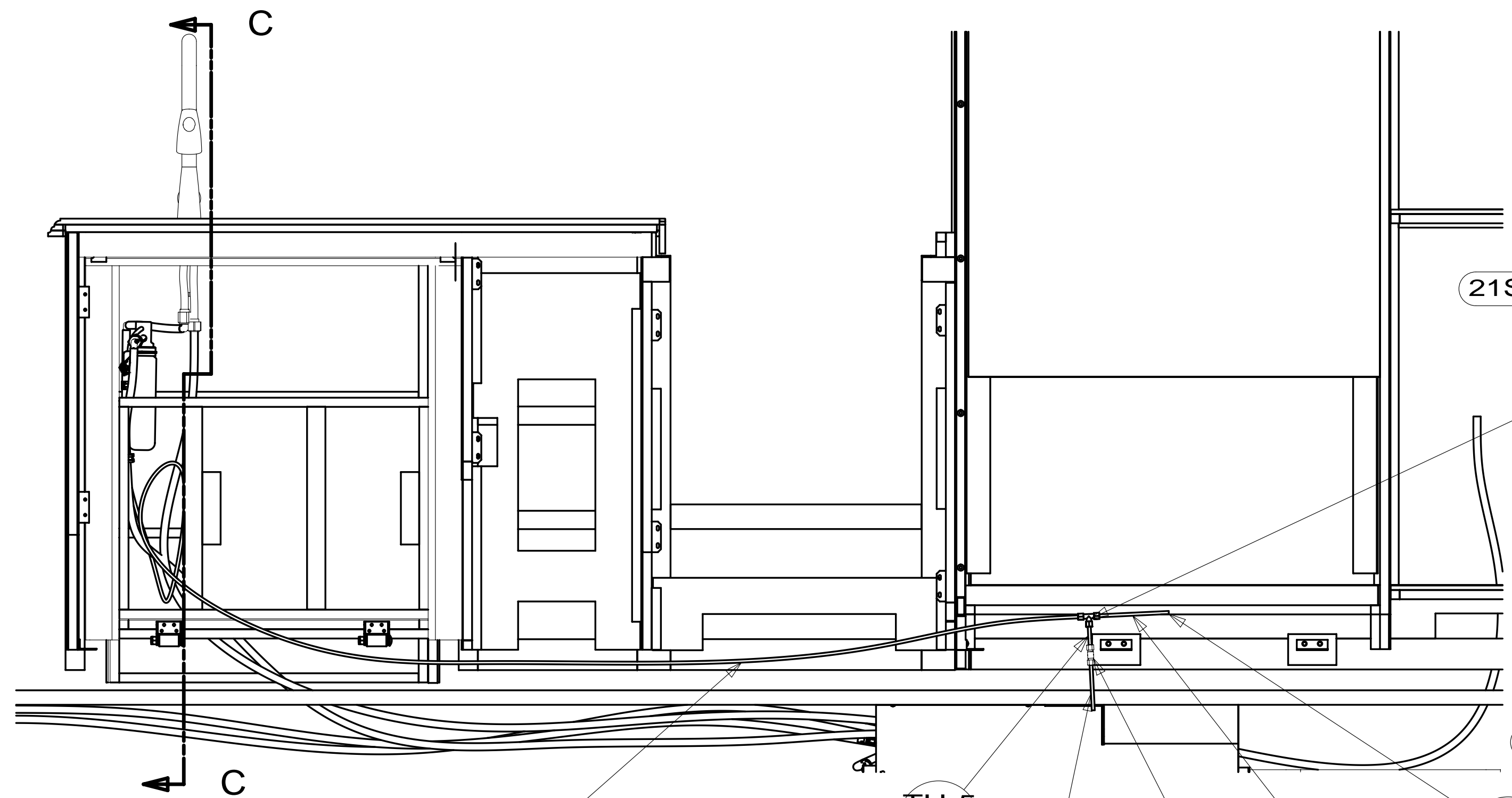
- BRACKET-VALVE  
151245-04-CHT
- SCREW  
000G67-10-10U(4)

- FAUCET  
098419-01-000 (2)

- 21M 21S  
PL-4 E-46

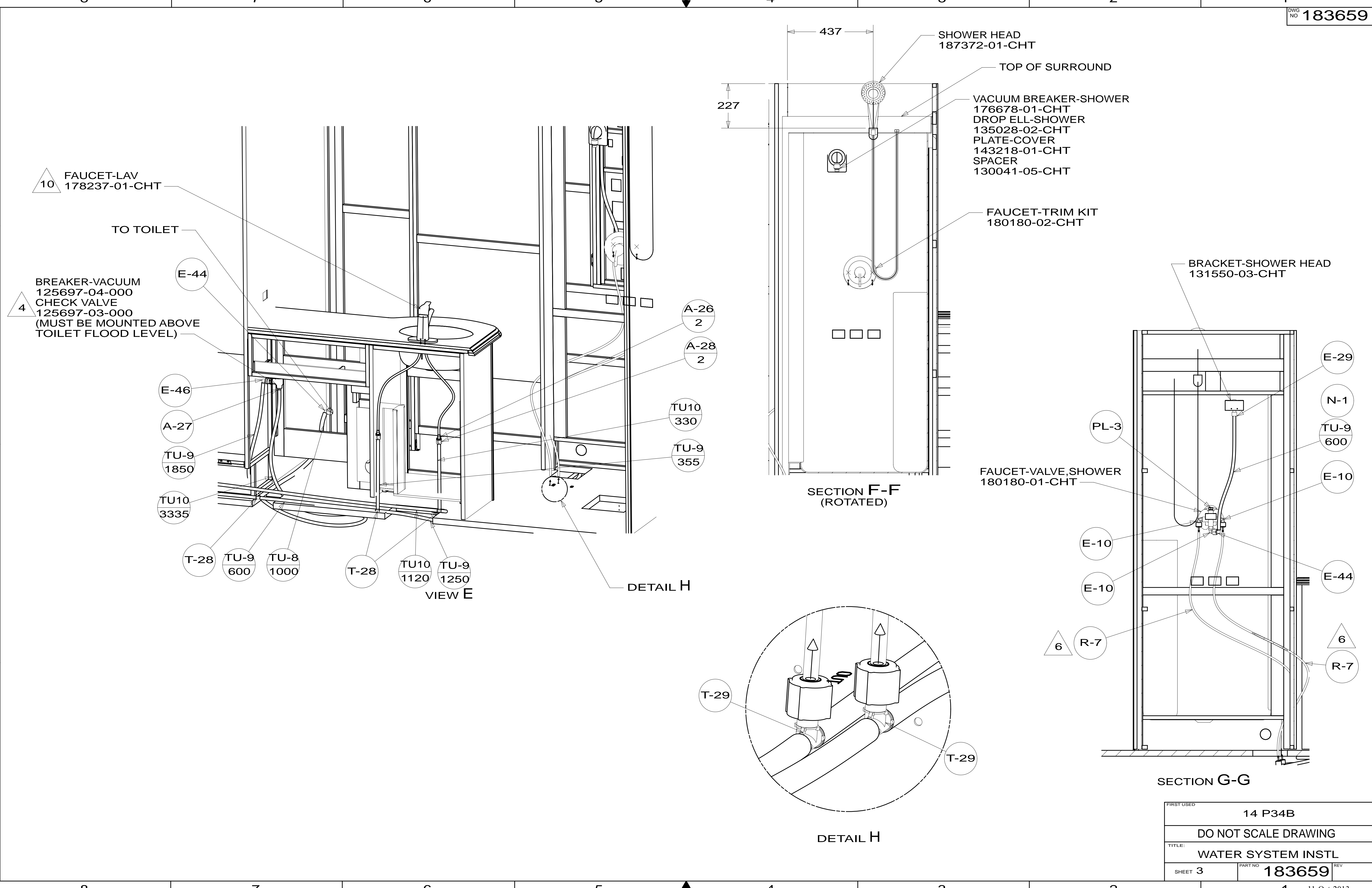
- 21M CLAMP-CABLE  
010497-01-000 (2)

- CLAMP  
010495-04-000(2)
- RIVET  
113133-03-CHT(2)



FIRST USED	14 P34B
DO NOT SCALE DRAWING	
TITLE: WATER SYSTEM INSTL	
SHEET 2	PART NO 183659 REV
11-Oct-2013	

\* 183659 \* A



FIRST USED	14 P34B	
TITLE:	DO NOT SCALE DRAWING	
	WATER SYSTEM INSTL	
SHEET 3	PART NO 183659	REV
		11-Oct-2013

\* 183659 \* A

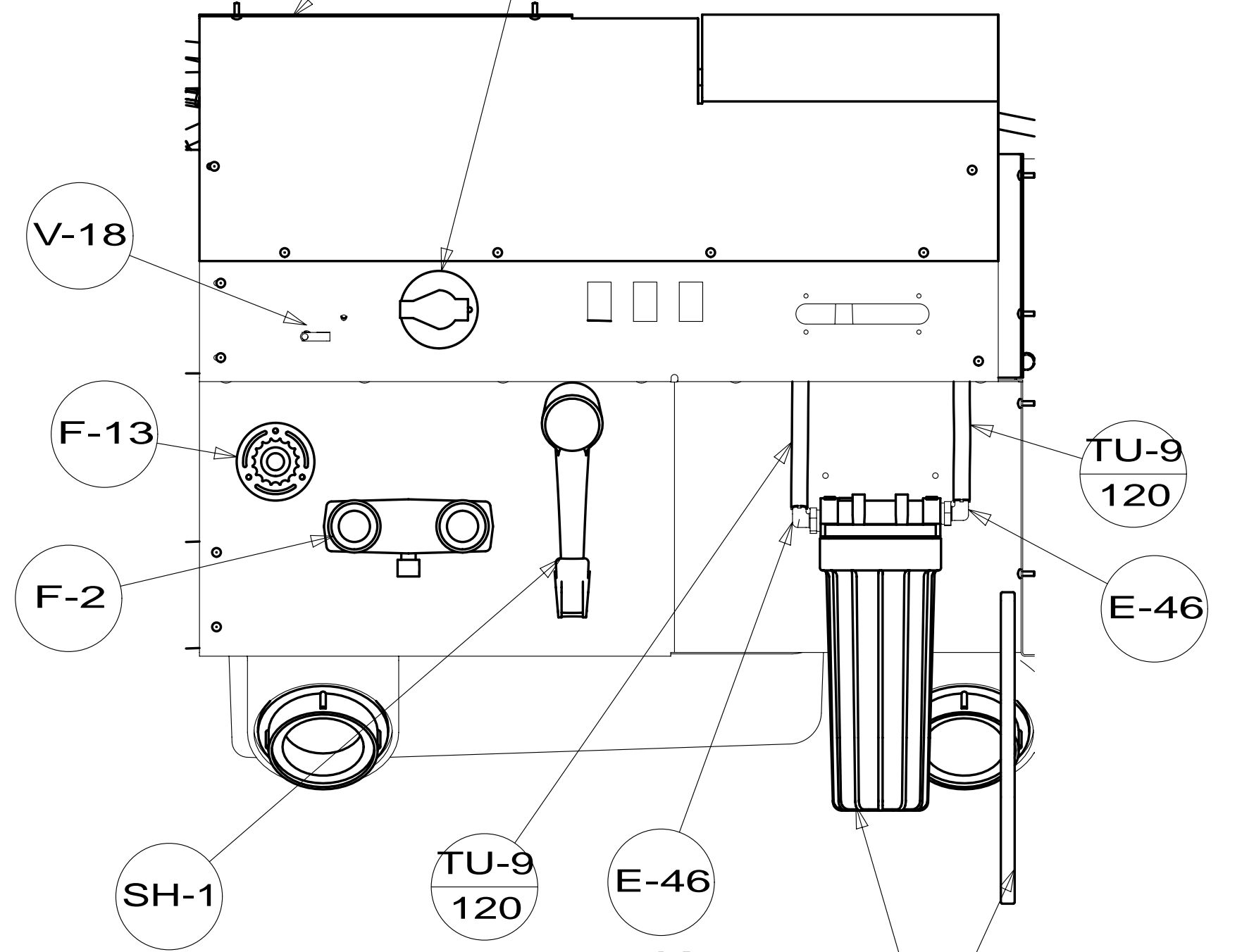
WATER PUMP CENTER ASM  
182945-01-XXX

SERVICE CENTER ASM  
182602-01-XXX

FLUSHING SYSTEM  
125697-05-000

### TOP VIEW SHOWING LINES UNDER FLOOR

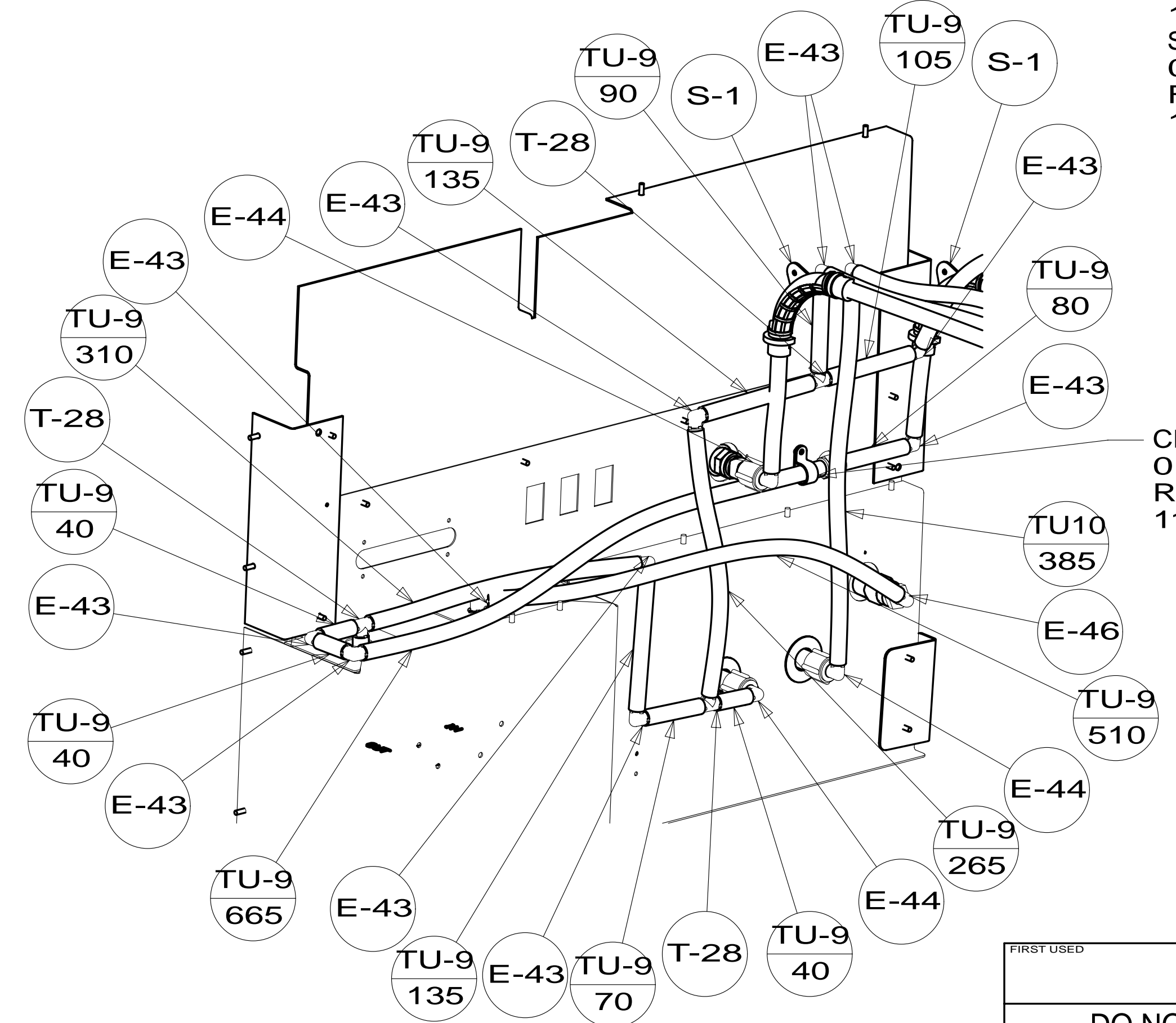
VIEW K



FILTER ASM-WATER  
155482-01-CHT  
SCREW  
000G11-10-12U(4)  
FILTER  
155482-02-CHT

CLAMP  
010495-04-000  
RIVET  
113133-03-CHT

VIEW L  
(SHOWN W/OUT TANKS)



FIRST USED	14 P34B	
TITLE:	DO NOT SCALE DRAWING	
SHEET 4	PART NO	183659
	REV	

\* 183659 \* A