

- NOTES:
12. REQUIRES 5 GALLONS RV ANTIFREEZE 182955-01-000 PER TOLIET. FOLLOW TECMA TOLIET WINTERIZATION PROCEDURE.
 11. GLUE FITTING AFTER CABINET IS INSTALLED.
 10. APPLY PRIMER 126427-02-000 AND CEMENT 126427-01-000 BETWEEN ELBOW AND FLEX PIPE.
 9. SEE DRAWING 061607 FOR INSTALLATION OF GROMMETS.
 8. SECURE DRAINAGE PIPES TO CABINET USING WIRE TIE 108046-02-000, AND SCREW 000G67-10-12U AT INTERVALS OF NOT OF NOT MORE THAN 4 FEET APART.
 7. SECURE VENT PIPE TO GROMMET WITH CLAMP 062401-02-000.
 6. VENT PIPE MUST PROJECT 51 MIN AND 64 MAX ABOVE ROOF FOR PROPER FIT AND FUNCTION. ADD S-1 (116666-01-CHT SEAL-VENT PIPE) AROUND PIPE ON ROOF BEFORE VENT CAP IS INSTALLED.
 5. SEAL AROUND SHOWER WITH SILICONE.
 4. USE SMOOTH PLUMBERS PUTTY 167459-01-000 TO SEAL STRAINER (0.2 PER STRAINER).
 3. ALL PIPE AND FITTINGS TO BE ASSEMBLED WITH SOLVENT 004020-01-000 (USA), 004020-02-000 (CAN)
 2. SLOPE OF TRAP ARM MUST BE 6 PER 305 mm.
 1. SLOPE OF HORIZONTAL PIPING TO BE MINIMUM OF 3 PER 305 mm.

- 21S WASHER/DRYER STACKED
- 1B1 CODES/STANDARDS USA
- 265 CODES/STDS-CSA,CMVSS
- 21M WASHER/DRYER PREP

FOR DRAINAGE CALLOUTS SEE DWG NO 116229-01-000

		COPYRIGHT 2014 WINNEBAGO INDUSTRIES, INC.	
DTR	ORIG. DATE	ALL DIMENSIONS ARE IN MILLIMETERS	
CHKR			
P.E.			
M.E.	FIRST USED	14 L38R	
DSNR			
UNSPECIFIED TOLERANCES ARE:		MATERIAL:	
WHOLE DIM (X)	: 3		
ONE-PLACE (X.X)	: 1.5		
TWO-PLACE (X.XX)	: 0.50		
ANGLE	: 1°		
THIRD ANGLE PROJECTION			
DO NOT SCALE DRAWING		REFER TO ES0018 FOR FASTENER TIGHTENING GUIDELINES	
TITLE: DRAINAGE SYSTEM INSTL			
SHEET 1 OF 4	PART NO 185524	REV	
REF:	1	03-Apr-2014	

* 185524 * A

SHOWER INSTL
182340-03-000

DETAIL BC
TOILET-STYLE II
160815-01-CHT

STRAP-CONDUIT
008406-01-000(3)

4
SINK-GALLEY
184806-01-CHT
STRAINER
092303-01-000 (2)
NUT
130403-01-000
WASHER-RUBBER
127440-02-CHT
ANGLE-W/SLOTS
140002-01-CHT (10)

DETAIL BB

VIEW BA

STRAINER
066440-01-000

ELBOW-DRAIN
131486-01-000

PLATFORM-HOLDING TANK
FOAM
126714-56-000
100619-27-002

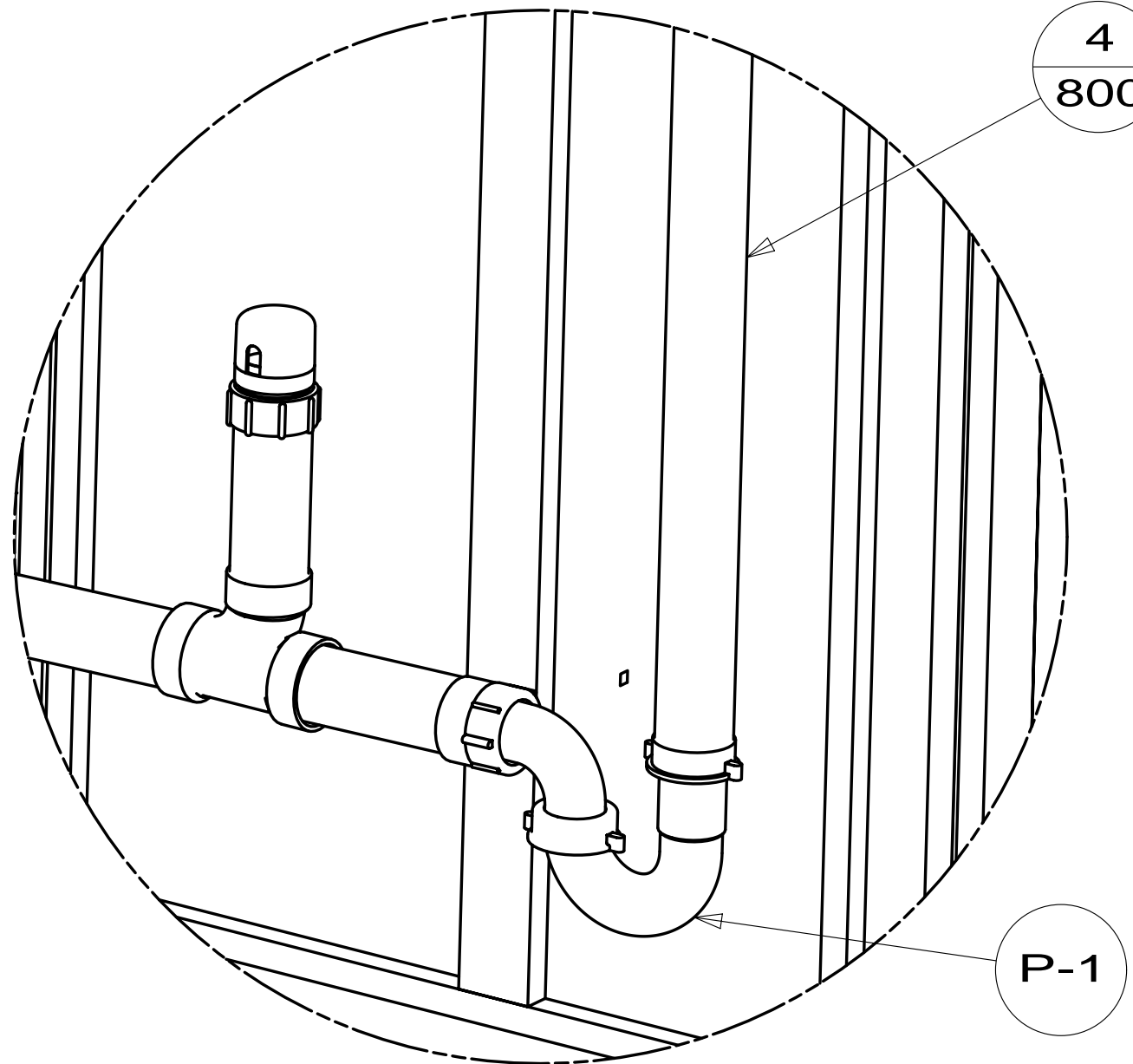
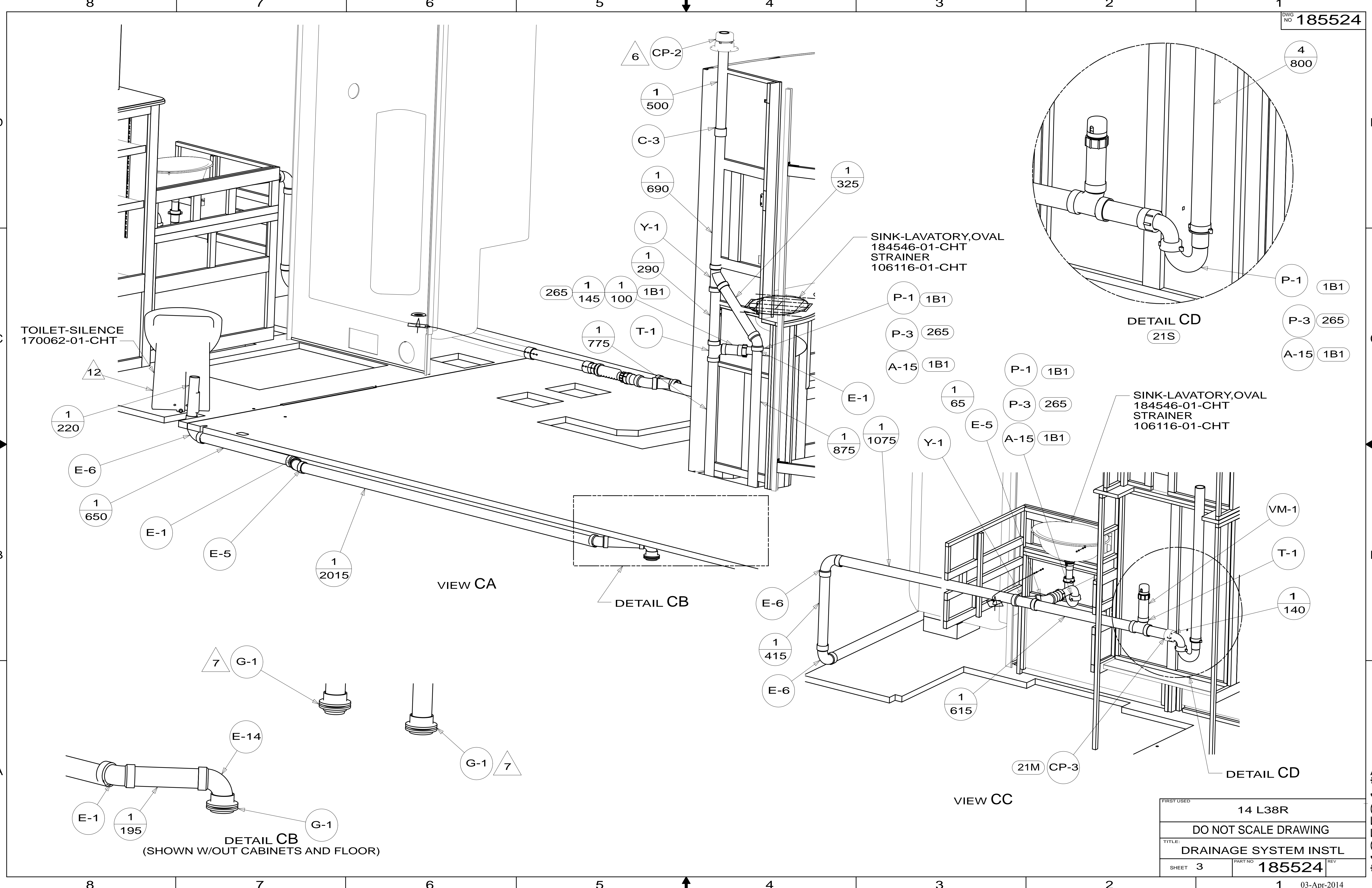
TRAP-WATERLESS
165406-01-000

DETAIL BB
(SHOWN W/OUT CABINETS AND FLOOR)

DETAIL BC
(SHOWN W/OUT SHOWER AND CABINETS)

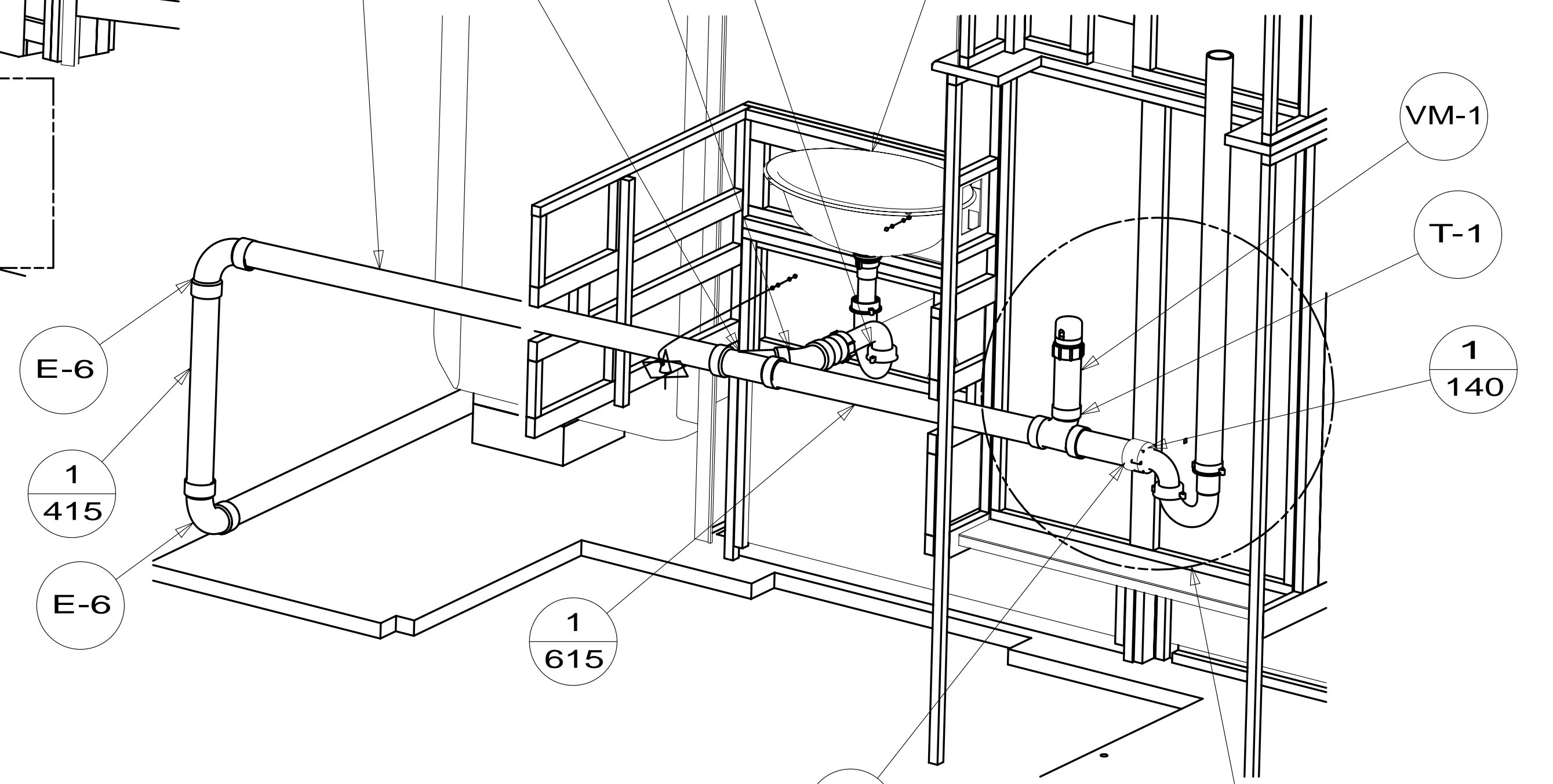
FIRST USED	14 L38R
DO NOT SCALE DRAWING	
TITLE: DRAINAGE SYSTEM INSTL	
SHEET 2	PART NO 185524 REV

*185524 *A



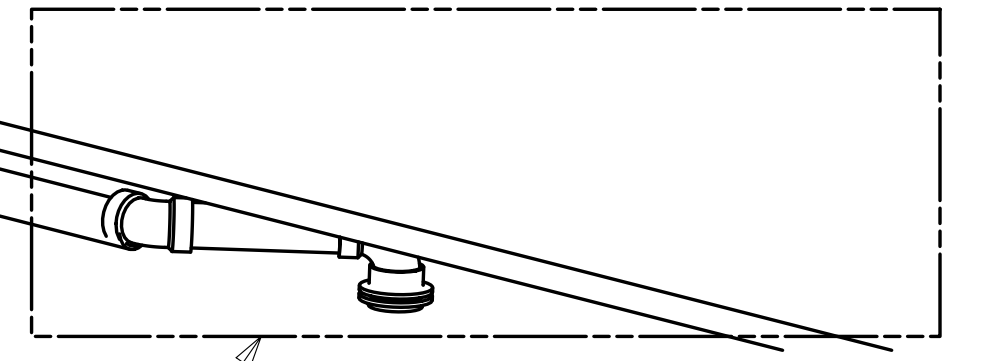
DETAIL CD
21S

SINK-LAVATORY, OVAL
184546-01-CHT
STRAINER
106116-01-CHT



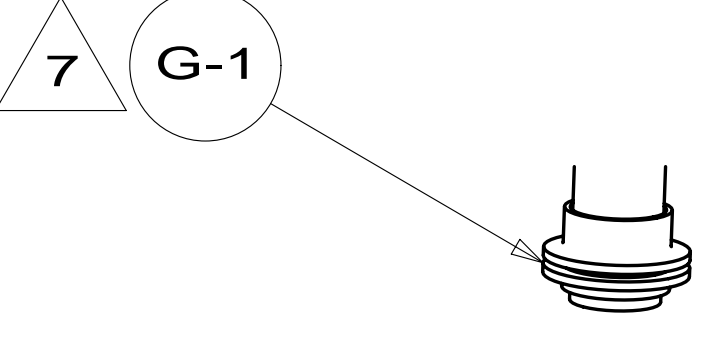
VIEW CC

DETAIL CD



DETAIL CB

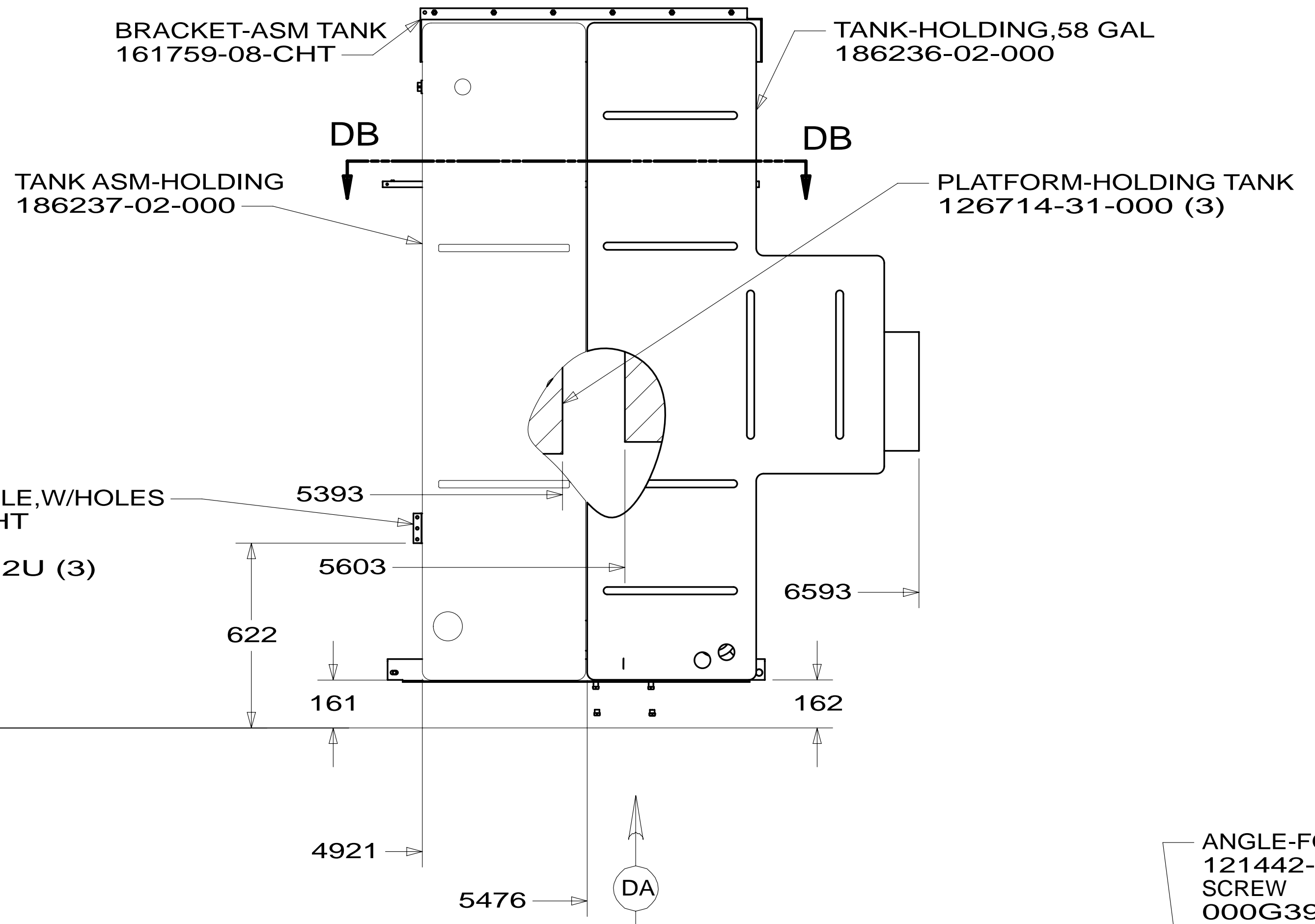
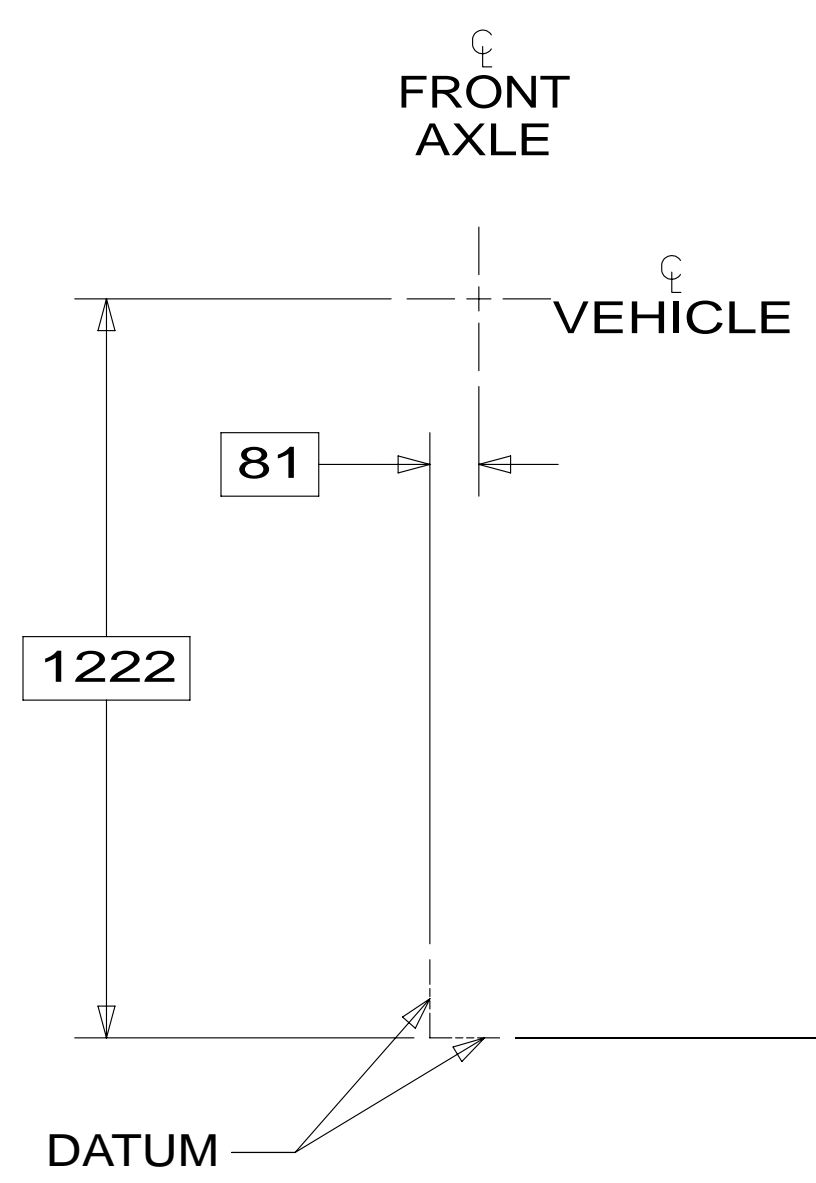
VIEW CA



DETAIL CB
(SHOWN W/OUT CABINETS AND FLOOR)

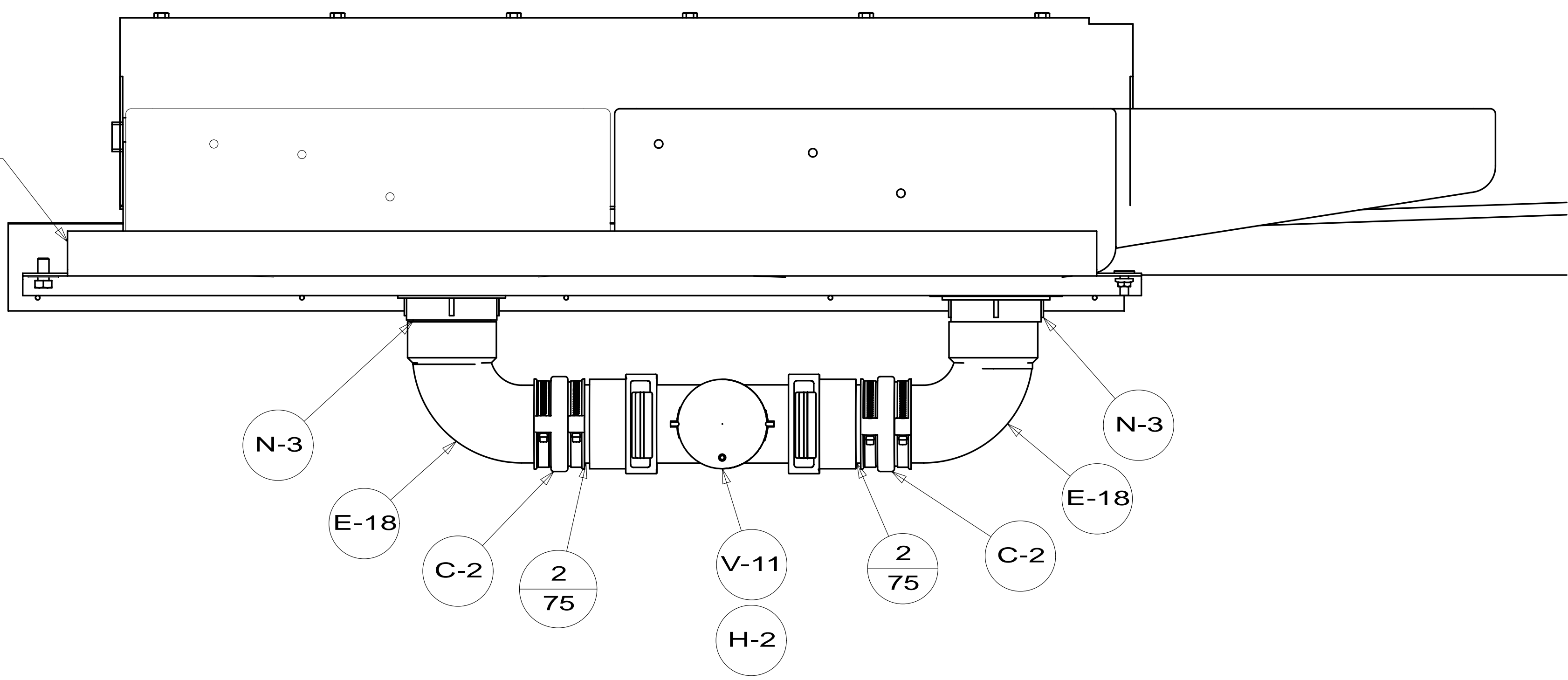
FIRST USED	14 L38R
DO NOT SCALE DRAWING	
TITLE: DRAINAGE SYSTEM INSTL	
SHEET 3	PART NO 185524 REV
03-Apr-2014	

*185524 *A

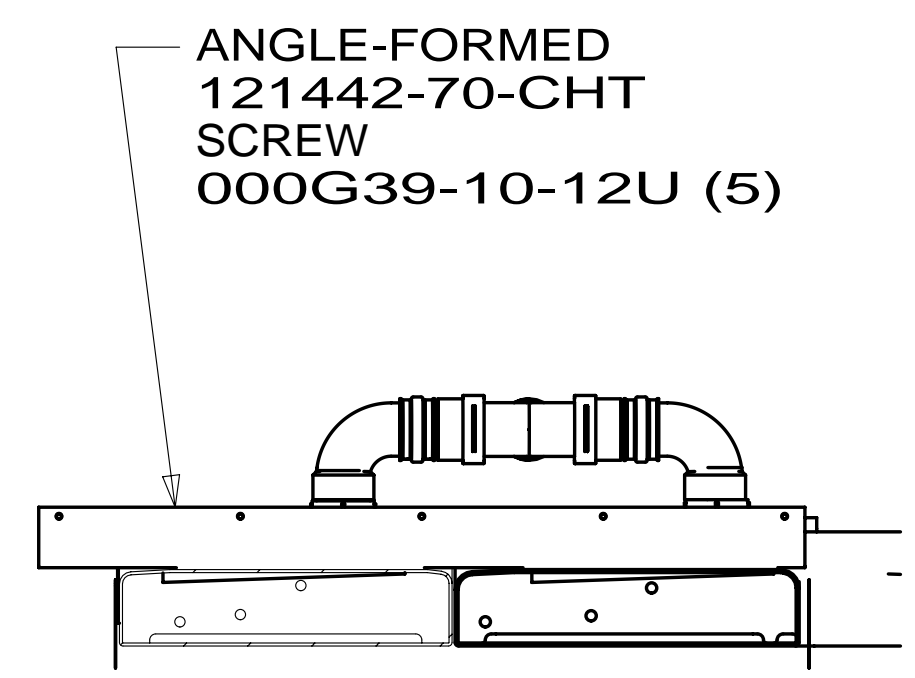


TOP VIEW SHOWING TANKS AND DRAINS

- BRACKET ASM-TANK, HOLDING
162818-03-CHT
- BOLT
000C12-08-16U (2)
- WASHER-LOCK
000E11-08-00U (2)
- WASHER
000E13-22-00U (2)
- NUT
000D39-06-00U (2)



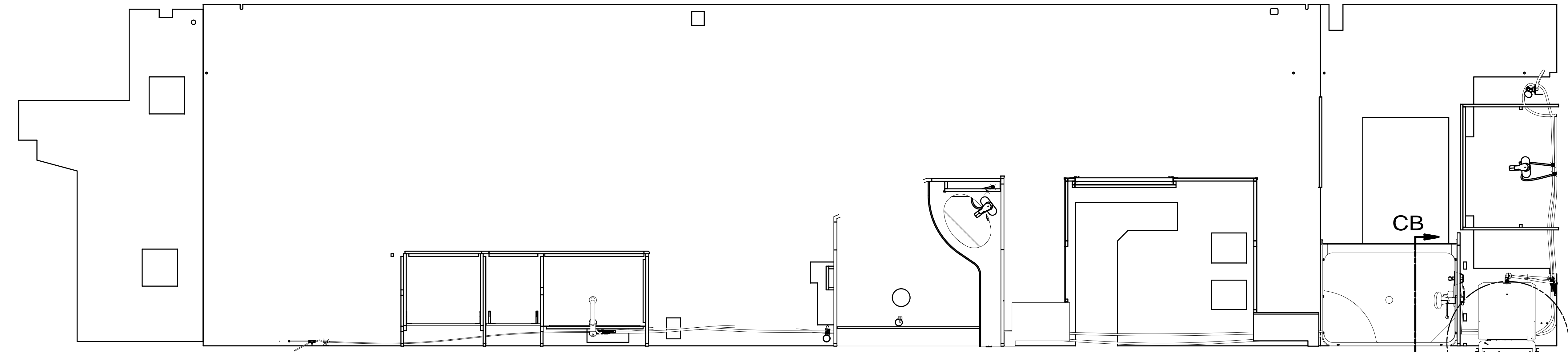
VIEW DA



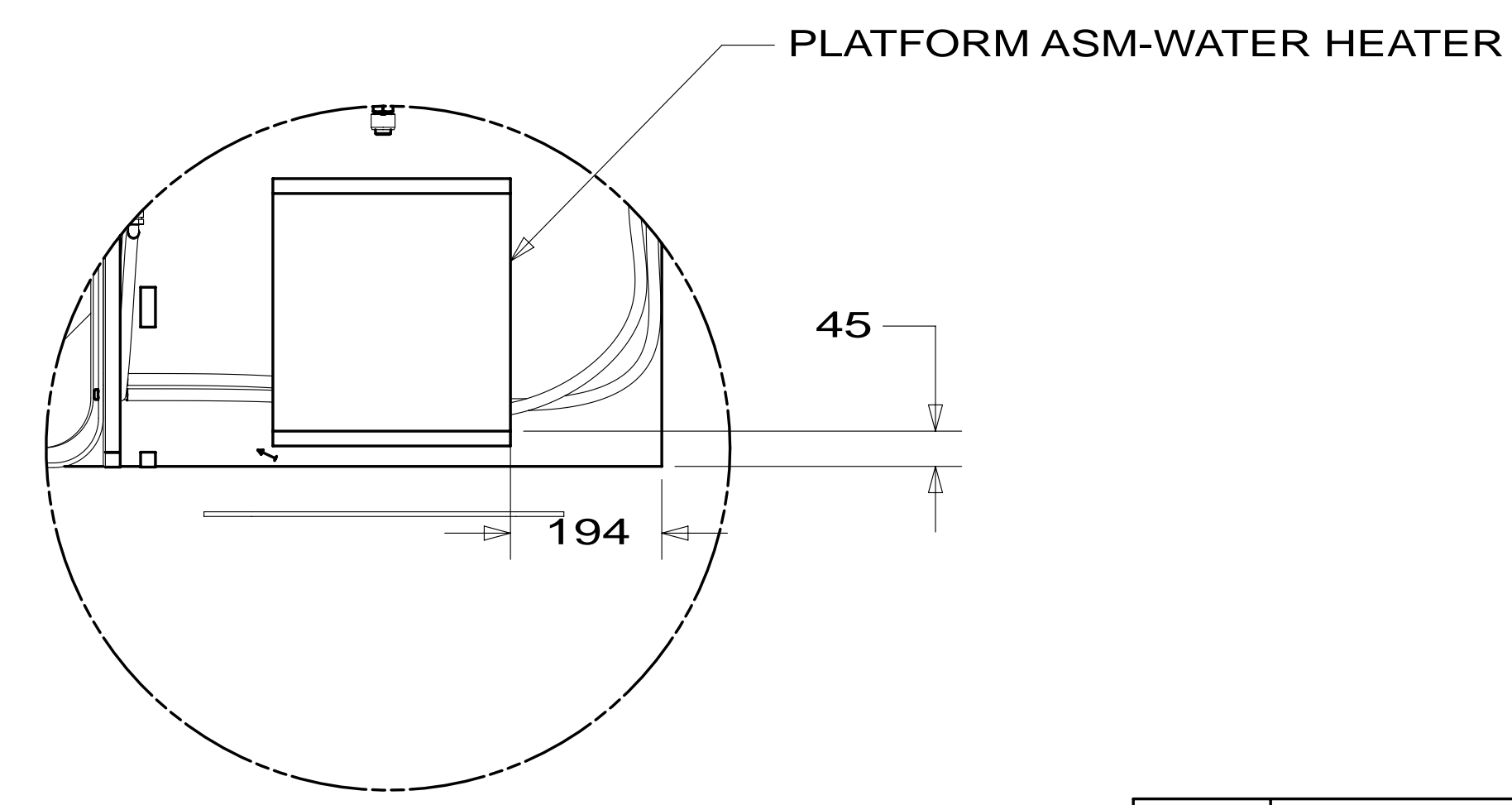
SECTION DB-DB

FIRST USED	14 L38R	
DO NOT SCALE DRAWING		
TITLE: DRAINAGE SYSTEM INSTL		
SHEET 4	PART NO 185524	REV
		1 03-Apr-2014

*185524 *A



- NOTES:**
- 1. PLASTIC FITTINGS TO BE SEALED WITH SEALANT 084456-01-000.
 - 2. TUBING TO BE INSTALLED WITH SUFFICIENT SLOPE TO PROVIDE DRAINAGE TO NEAREST VALVE.
 - 3. ALL TUBING TO BE SECURED AT 1200 INTERVALS MAXIMUM WITH CLAMP 010495-01-000 AND SCREW 000G67-10-12U OR EQUIVALENT.
 - 4. ADD TEFLON TAPE 010405-02-000.
 - 5. ADD PIPE WRAP (LADDER SCRAP 110157-02-000) INSULATION.
 - 6. LABEL HOT AND COLD SUPPLY TUBES AND TAPE FITTING TO TUBE BEFORE CABINET SET TO PREVENT MOVEMENT.
 - 7. ALL CRIMP FITTINGS TO 5/8" PEX TUBING REQUIRE 5/8" CLAMP 140171-04-000.
 - 8. ALL CRIMP FITTINGS TO 1/2" PEX TUBING REQUIRE 1/2" CLAMP 140171-03-000.
 - 9. ELBOW TO BE TURN 45° BELOW HORIZONTAL LINE.
 - 10. INSTALL FAUCET W/OUT BASEPLATE.
 - 11. VALVE MUST REMAIN OPEN AFTER WATER TEST.

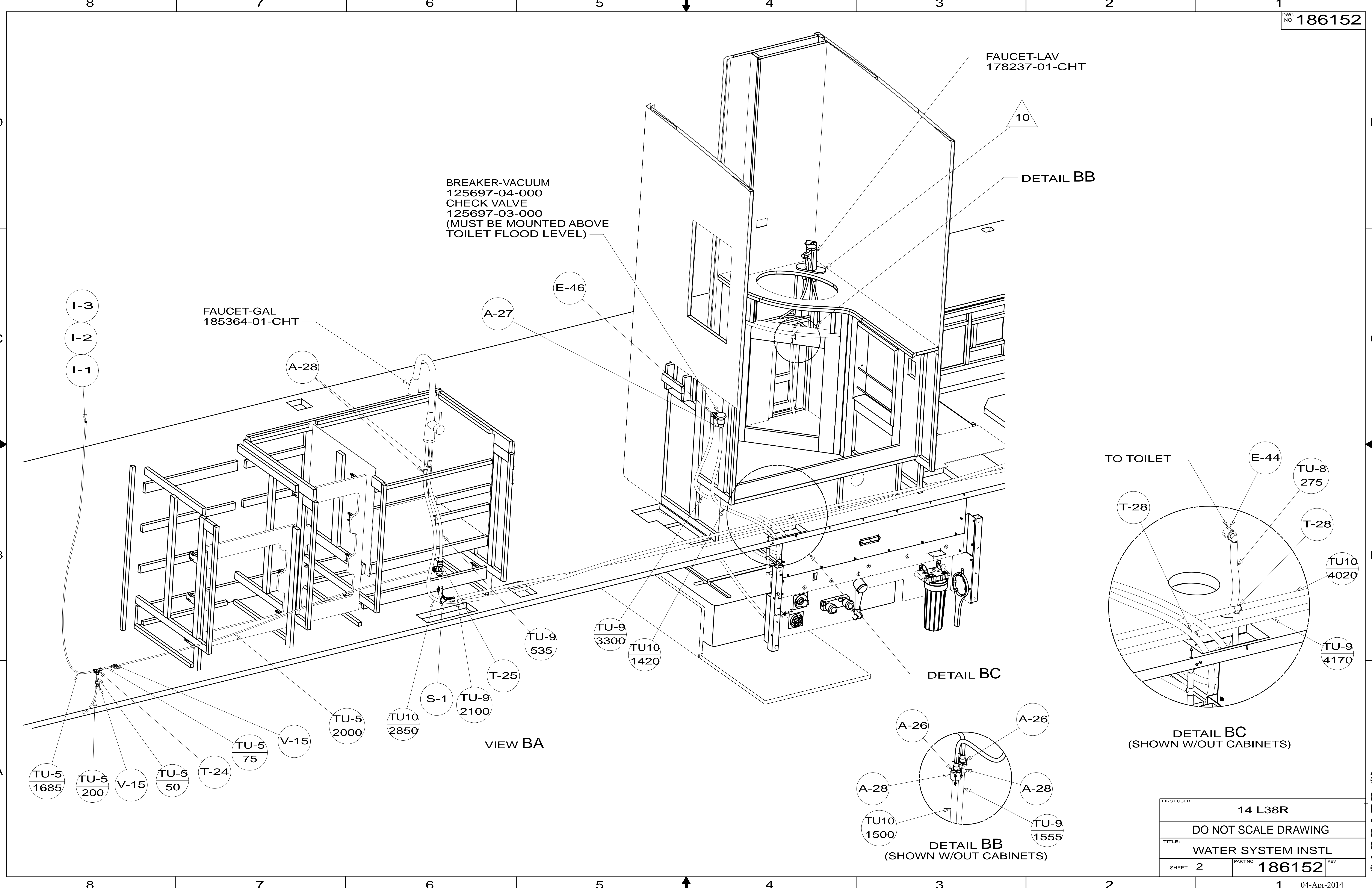


- 21S WASHER & DRYER-PAIR
- 21M WASHER/DRYER PREP

WINNEBAGO		COPYRIGHT 2014 WINNEBAGO INDUSTRIES, INC.	
DFTR	ORIG. DATE	ALL DIMENSIONS ARE IN MILLIMETERS	
CHKR			
P.E.			
M.E.	FIRST USED		
DSNR		14 L38R	
UNSPECIFIED TOLERANCES ARE:		MATERIAL:	
WHOLE DIM (X)	: 3		
ONE-PLACE (X.X)	: 1.5		
TWO-PLACE (X.XX)	: 0.50		
ANGLE	: 1°		
THIRD ANGLE PROJECTION			
DO NOT SCALE DRAWING		REFER TO ES0018 FOR FASTENER TIGHTENING GUIDELINES	
TITLE: WATER SYSTEM INSTL			
SHEET 1 OF 4	PART NO	186152	REV
REF:	1	04-Apr-2014	

FOR WATER CALLOUTS SEE DWG NO 116230-01-000

* 186152 * A



BREAKER-VACUUM
125697-04-000
CHECK VALVE
125697-03-000
(MUST BE MOUNTED ABOVE
TOILET FLOOD LEVEL)

FAUCET-LAV
178237-01-CHT

DETAIL BB

FAUCET-GAL
185364-01-CHT

VIEW BA

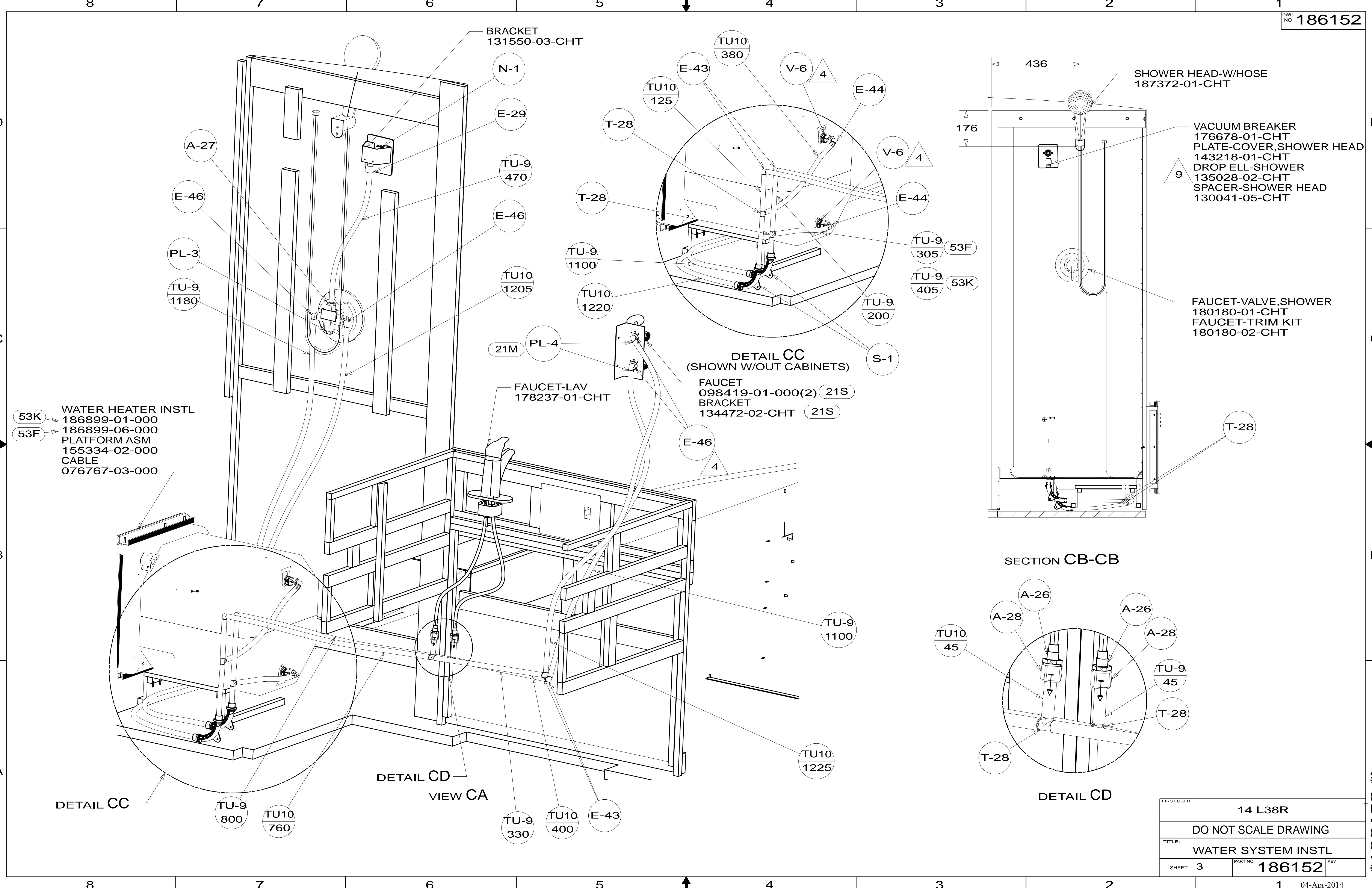
DETAIL BC

DETAIL BC
(SHOWN W/OUT CABINETS)

DETAIL BB
(SHOWN W/OUT CABINETS)

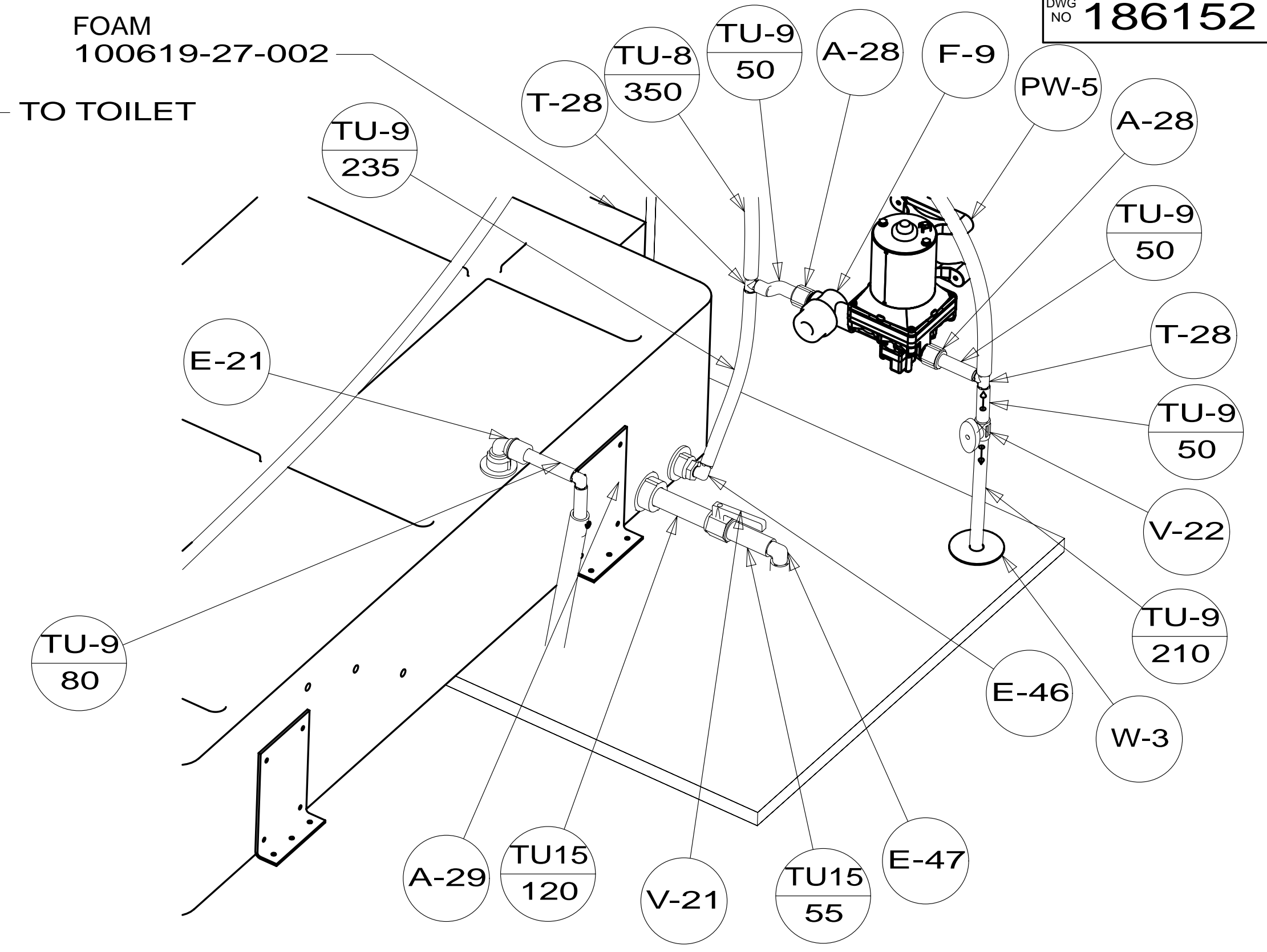
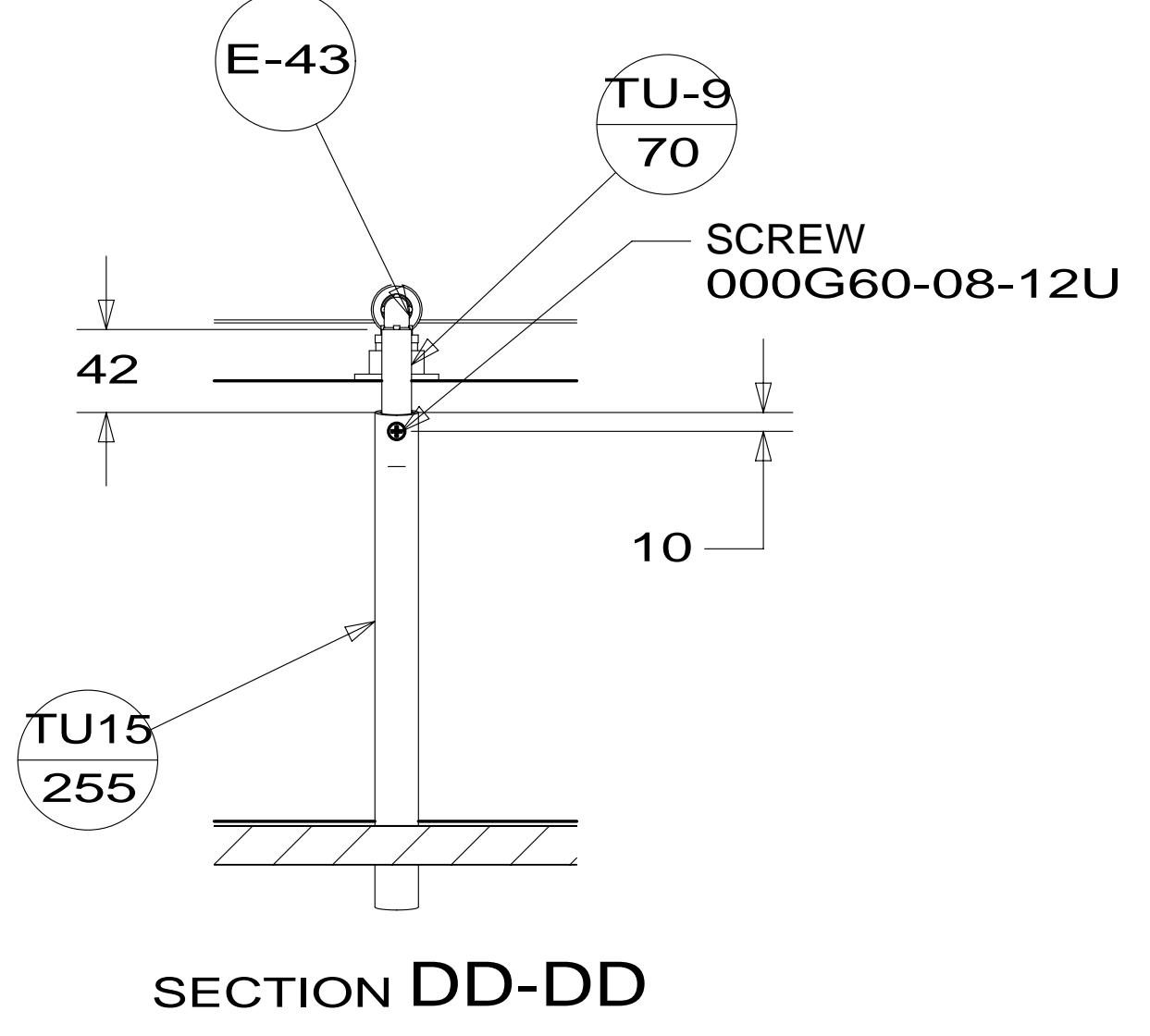
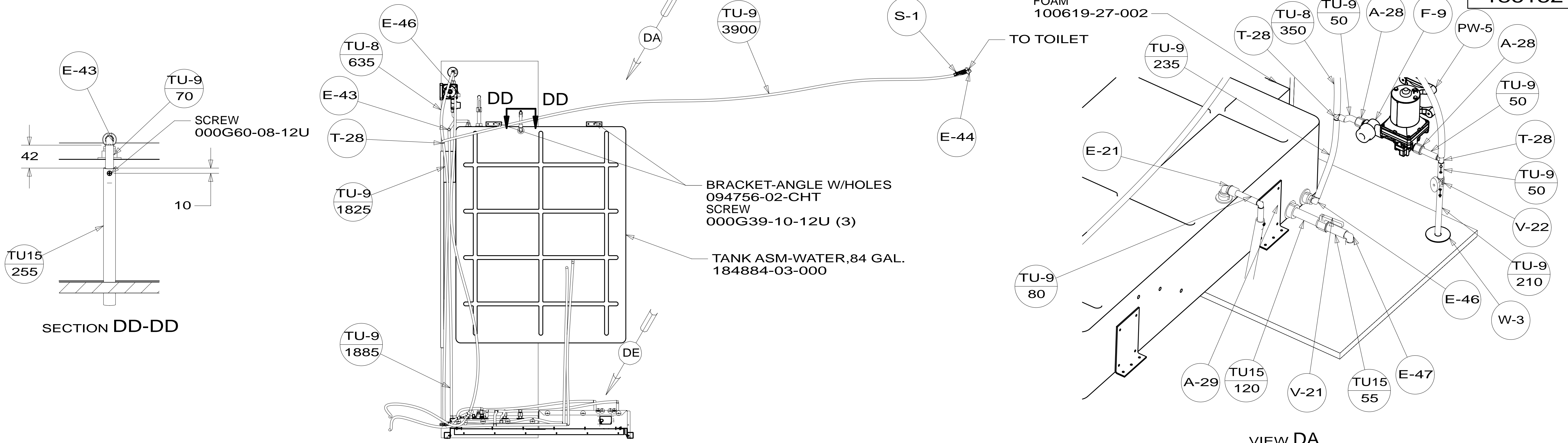
FIRST USED	14 L38R		
TITLE:	DO NOT SCALE DRAWING		
SHEET	2	PART NO	186152
		REV	

* 186152 *

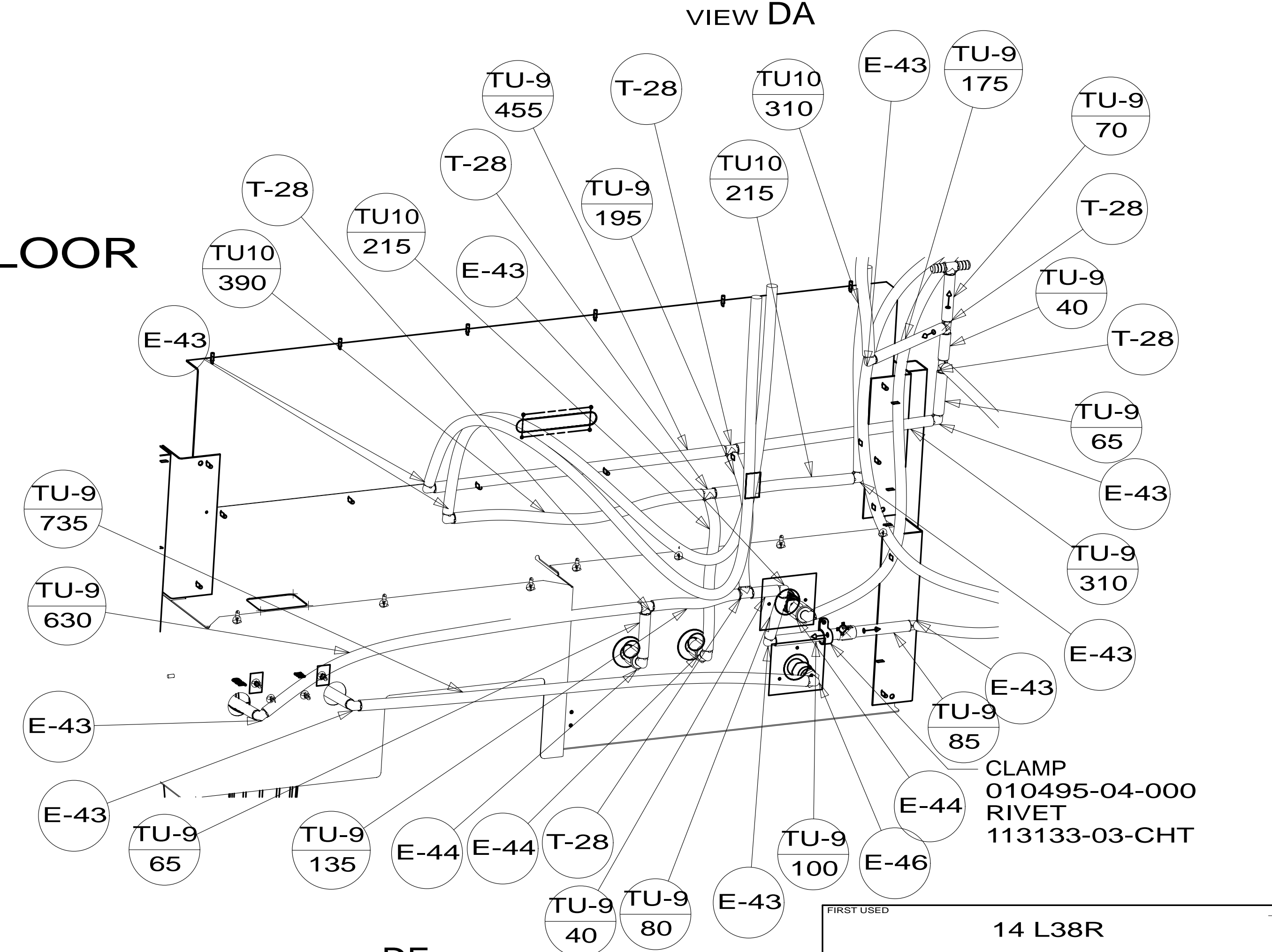
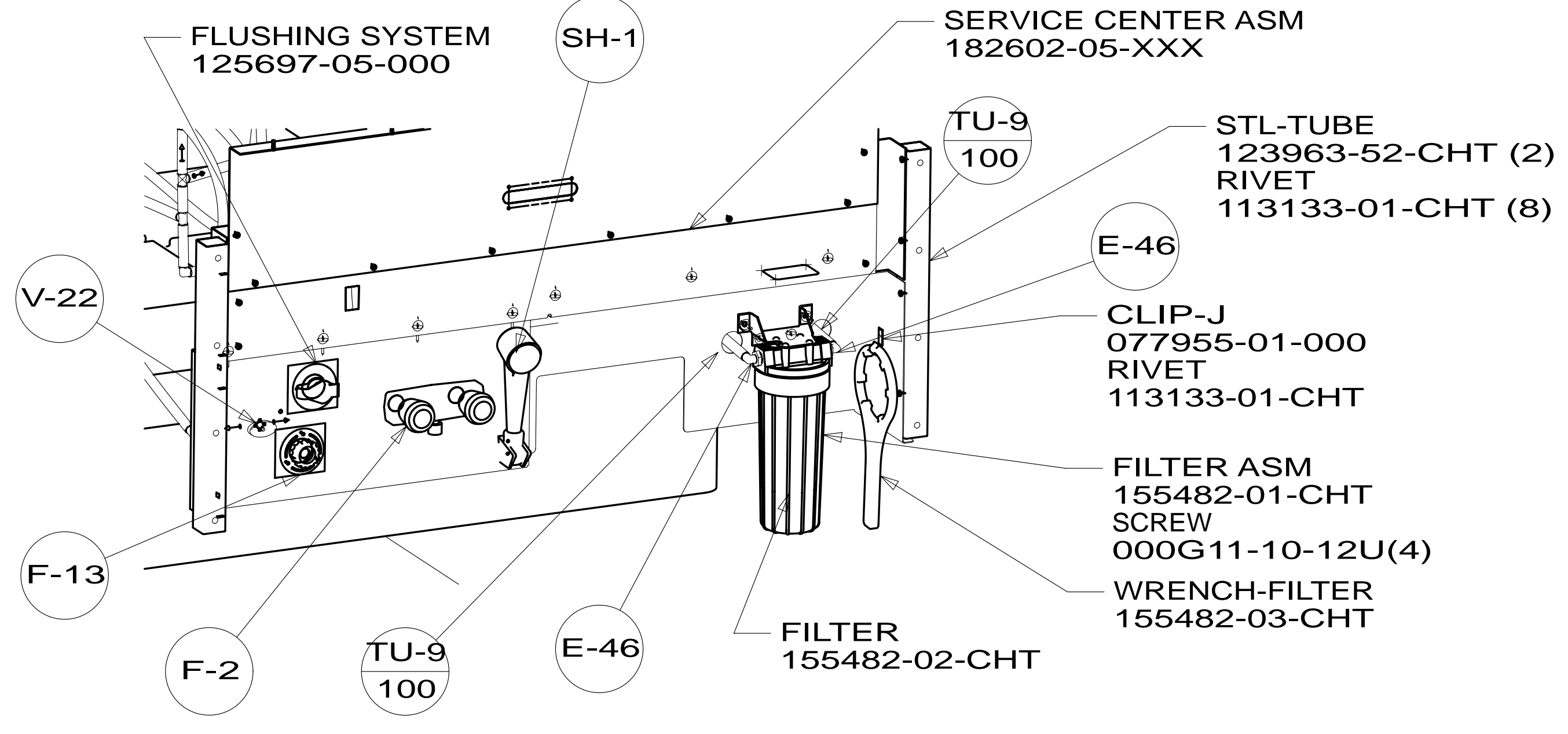


FIRST USED	14 L38R	
TITLE:	DO NOT SCALE DRAWING	
SHEET	3	PART NO 186152
REV		REV
04-Apr-2014		

* 186152 * A



TOP VIEW SHOWING LINE UNDER FLOOR



FIRST USED	14 L38R
TITLE:	DO NOT SCALE DRAWING
SHEET 4	PART NO 186152 REV
04-Apr-2014	

* 186152