

- 21M WASHER/DRYER PREP
- 21S WASHER & DRYER-PAIR
- 1B1 CODES/STANDARDS USA
- 265 CODES/STANDARDS-CSA/CMVSS

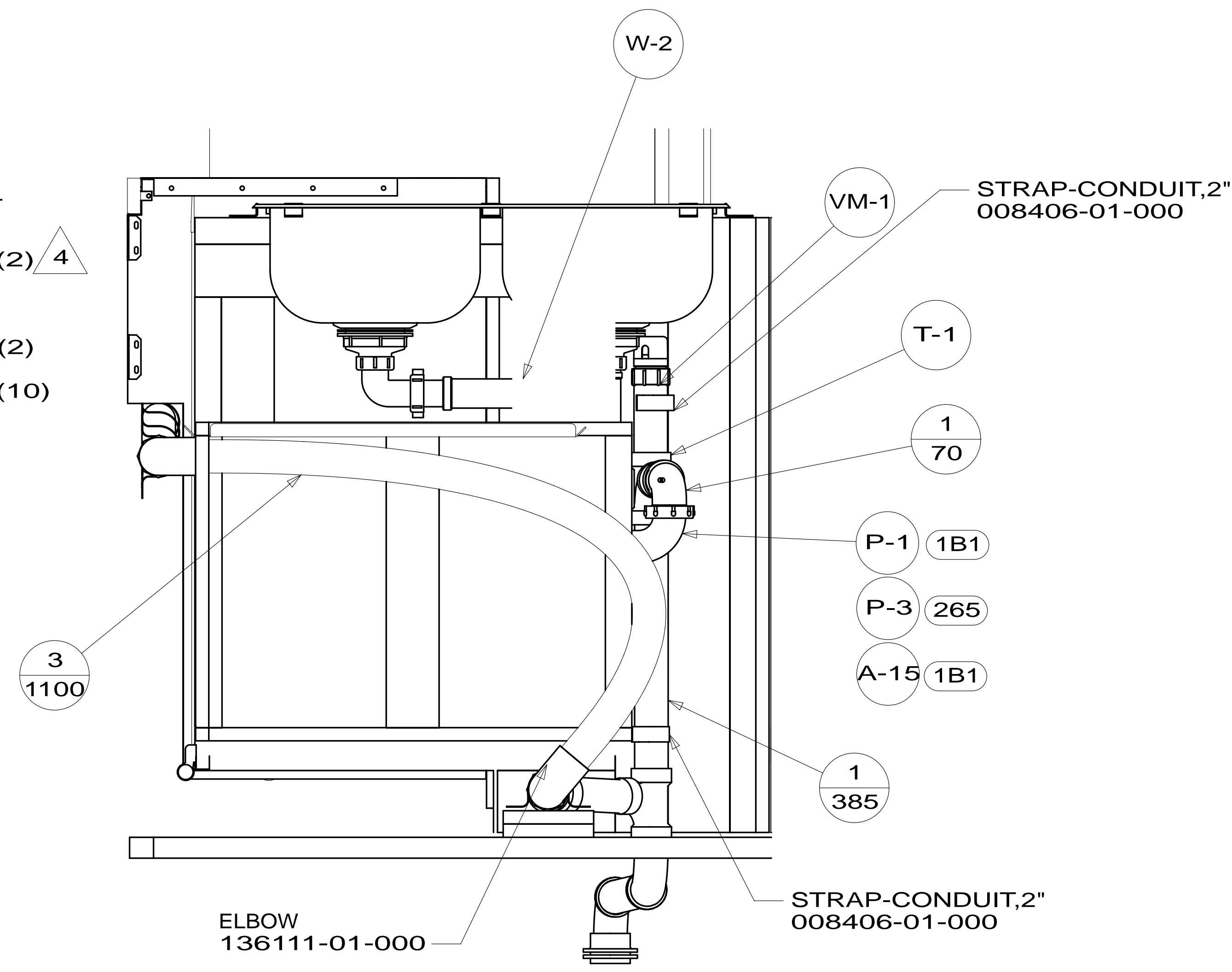
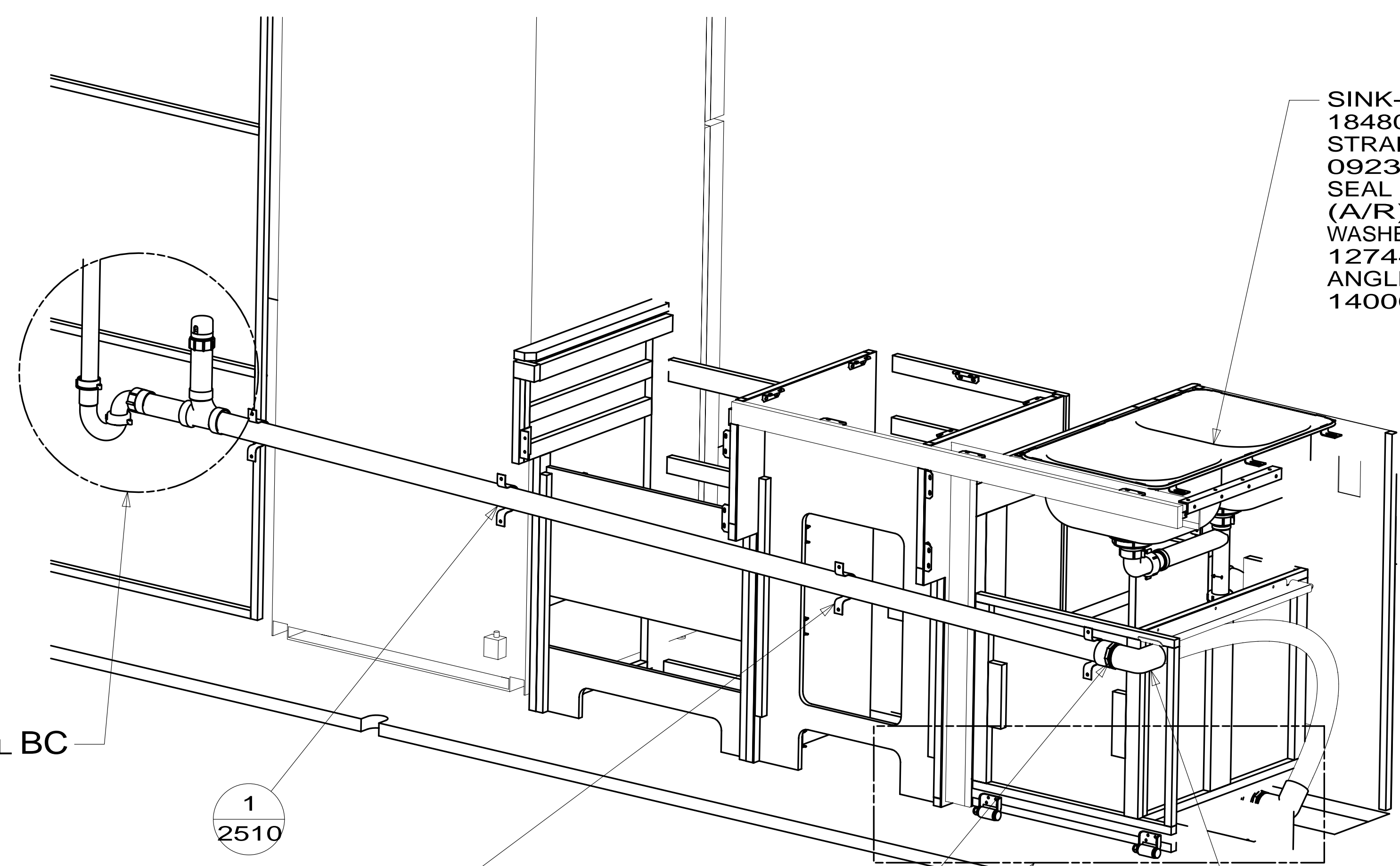
9. SEE DRAWING 061607 FOR INSTALLATION OF GROMMETS.
8. SECURE DRAINAGE PIPES TO CABINET USING WIRE TIE 108046-02-000, AND SCREW 000G67-10-12U AT INTERVALS OF NOT OF NOT MORE THAN 4 FEET APART.
7. SECURE VENT PIPE TO GROMMET WITH CLAMP 062401-02-000.
6. VENT PIPE MUST PROJECT 51 MIN AND 64 MAX ABOVE ROOF FOR PROPER FIT AND FUNCTION. ADD S-1 (116666-01-CHT SEAL-VENT PIPE) AROUND PIPE ON ROOF BEFORE VENT CAP IS INSTALLED.
5. SEAL AROUND SHOWER WITH SILICONE.
4. USE SMOOTH PLUMBERS PUTTY 167459-01-000 TO SEAL STRAINER (0.2 PER STRAINER).
3. ALL PIPE AND FITTINGS TO BE ASSEMBLED WITH SOLVENT 004020-01-000 (USA), 004020-02-000 (CAN)
2. SLOPE OF TRAP ARM MUST BE 6 PER 305 mm.
1. SLOPE OF HORIZONTAL PIPING TO BE MINIMUM OF 3 PER 305 mm.

NOTES:

FOR DRAINAGE CALLOUTS SEE DWG NO 116229-01-000

WINNEBAGO		COPYRIGHT 2013 WINNEBAGO INDUSTRIES, INC.	
DTR	ORIG. DATE	ALL DIMENSIONS ARE IN MILLIMETERS	
CHKR			
P.E.			
M.E.	FIRST USED		
DSNR		14 L34T	
UNSPECIFIED TOLERANCES ARE:		MATERIAL:	
WHOLE DIM (X)	: 3		
ONE-PLACE (X.X)	: 1.5		
TWO-PLACE (X.XX)	: 0.50		
ANGLE	: 1°		
THIRD ANGLE PROJECTION			
DO NOT SCALE DRAWING		REFER TO ES0018 FOR FASTENER TIGHTENING GUIDELINES	
TITLE: DRAINAGE SYSTEM INSTL			
SHEET 1 OF 5	PART NO	184787	REV
REF:	1	14-Oct-2013	

* 184787 * A



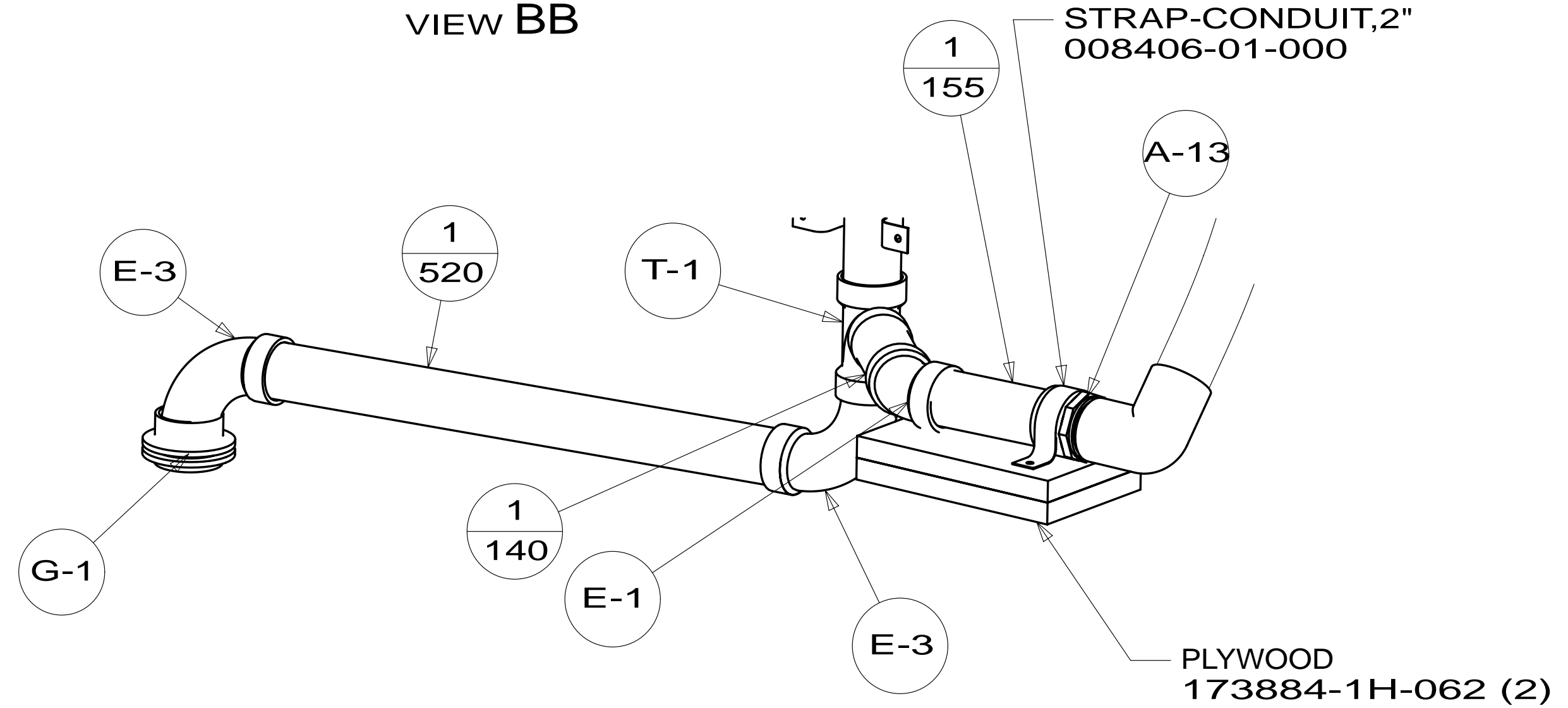
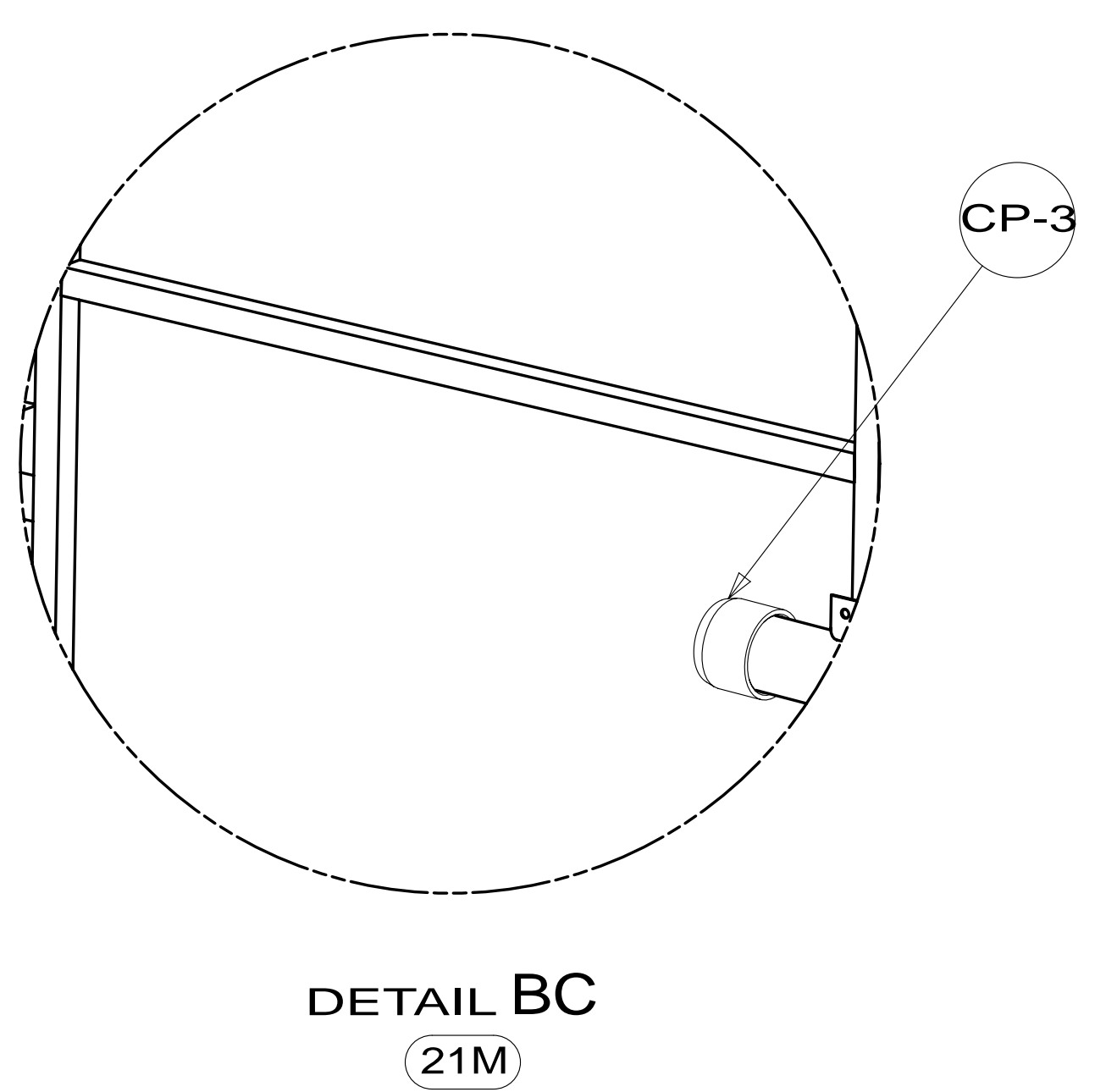
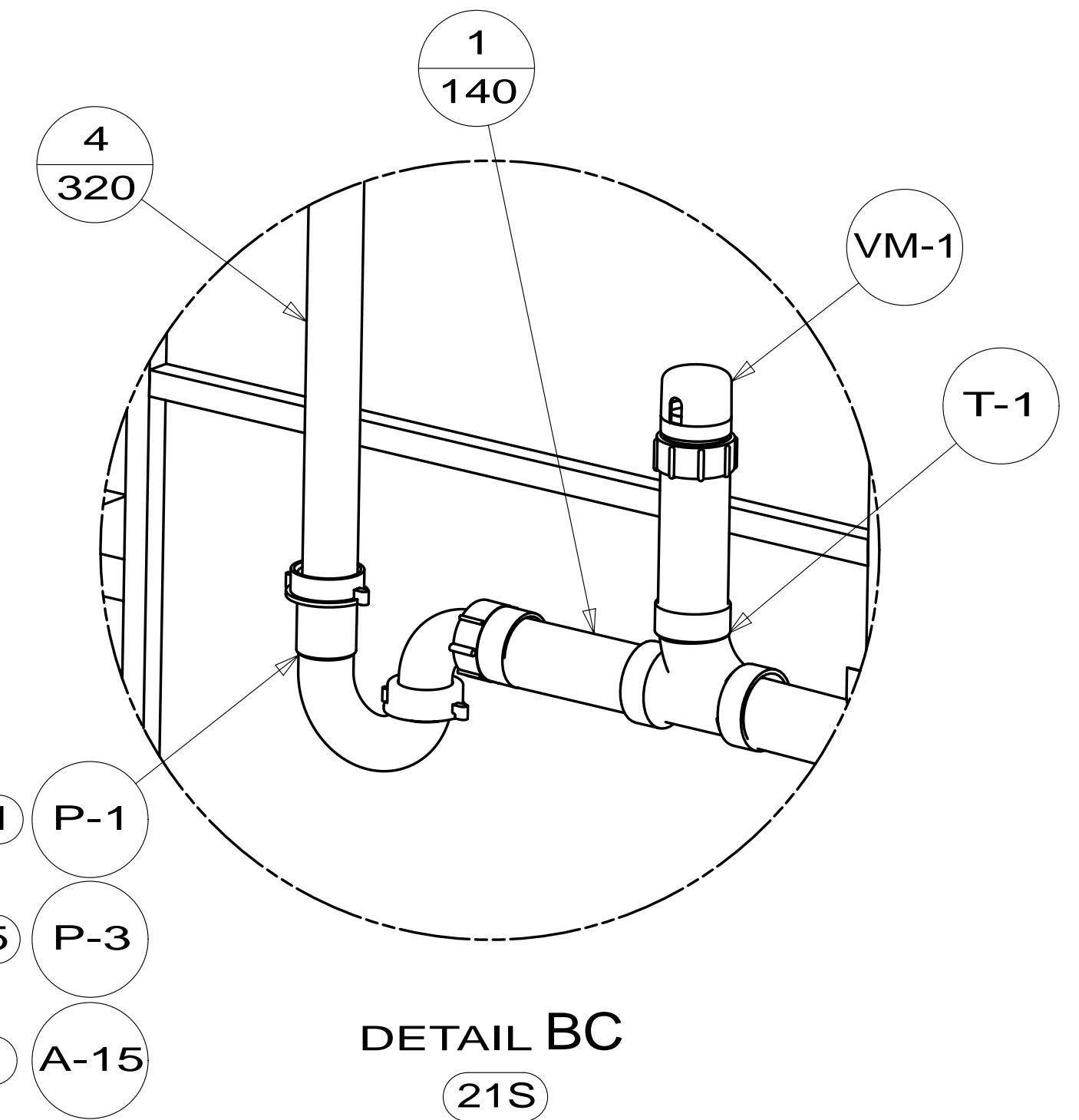
DETAIL BC

VIEW BA

VIEW BB

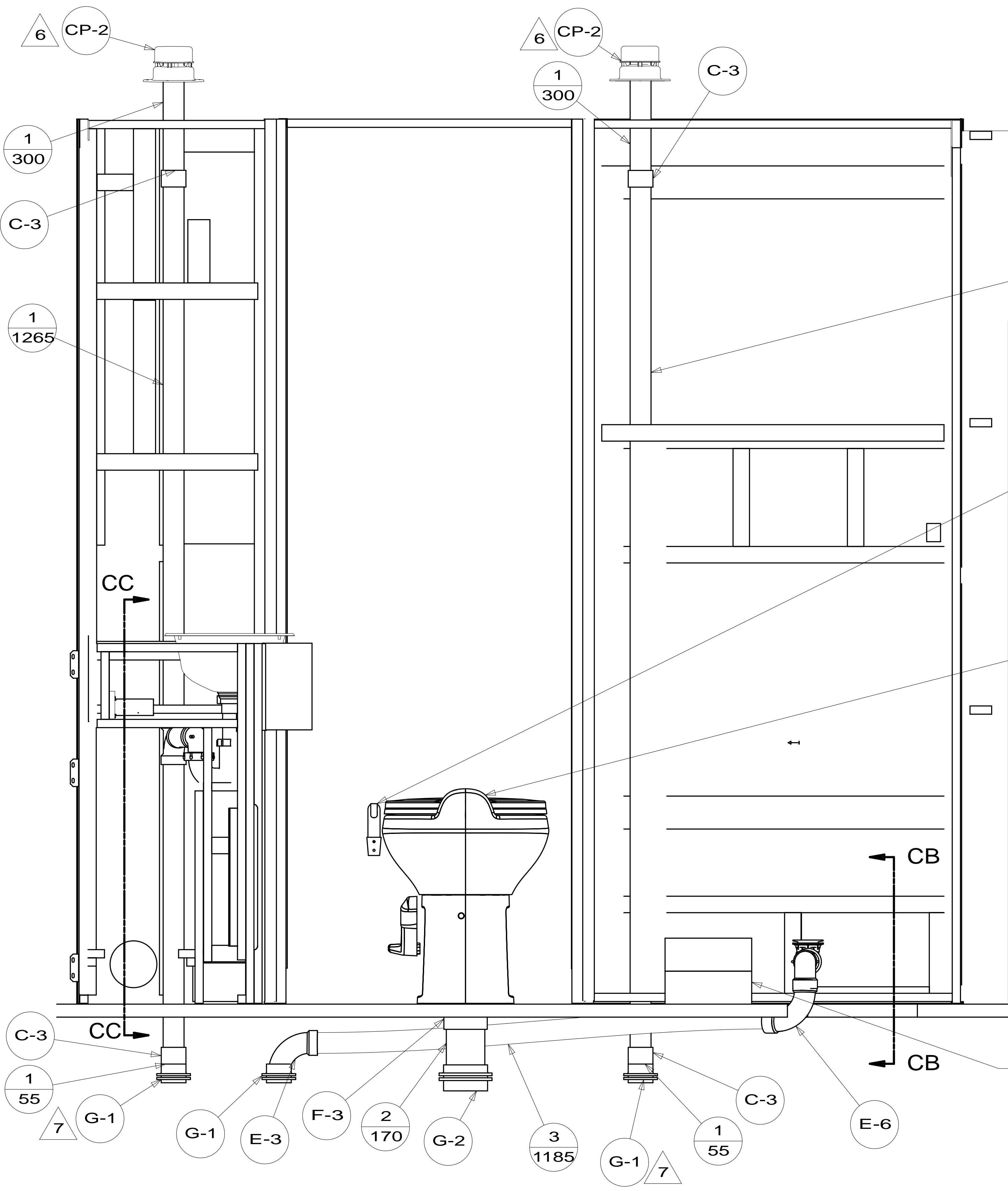
DETAIL BD

DETAIL BD
(SHOWN W/OUT CABINETS AND FLOOR)

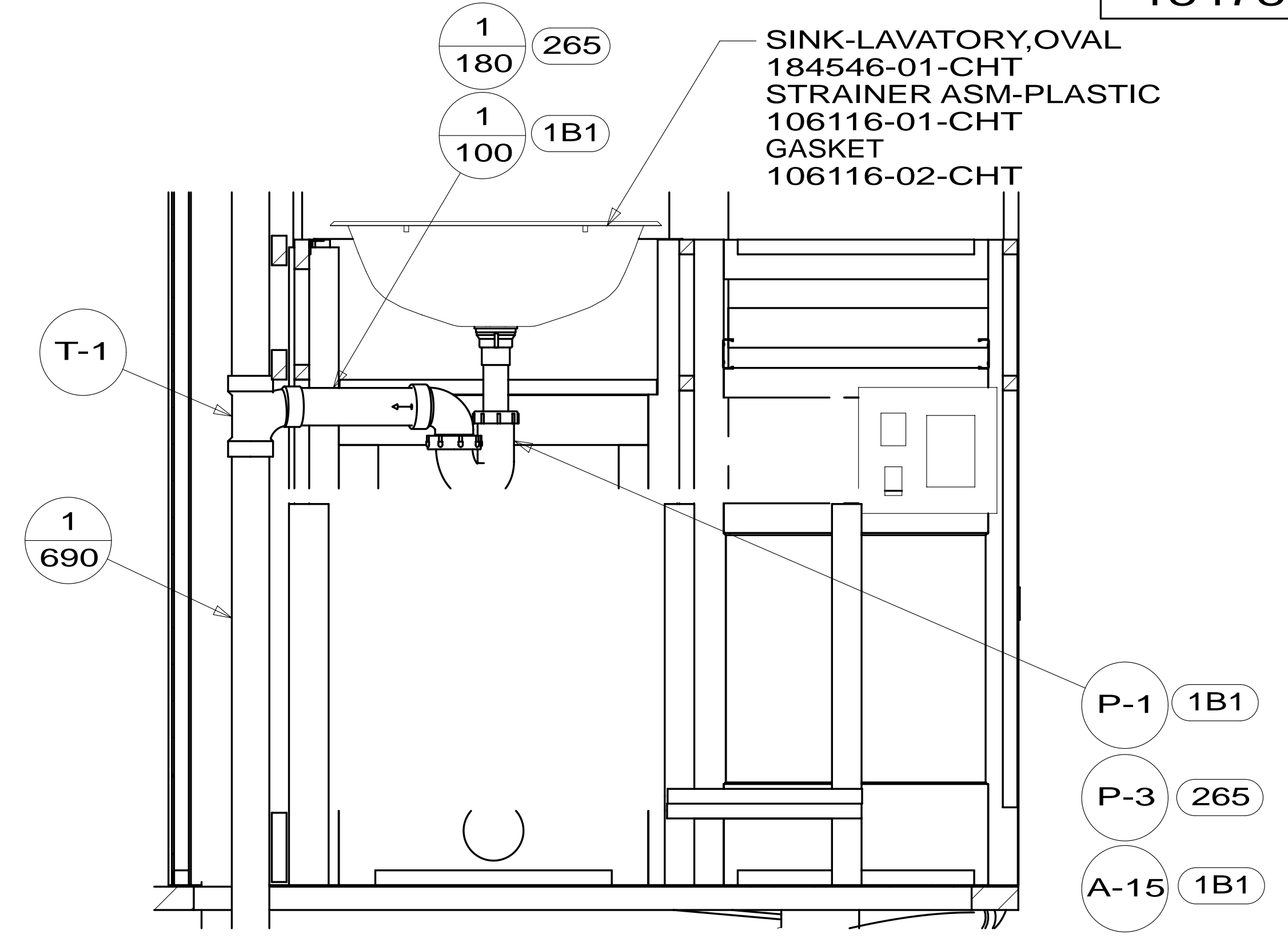


FIRST USED	14 L34T	
TITLE:	DO NOT SCALE DRAWING	
	DRAINAGE SYSTEM INSTL	
SHEET 2	PART NO 184787	REV
		14-Oct-2013

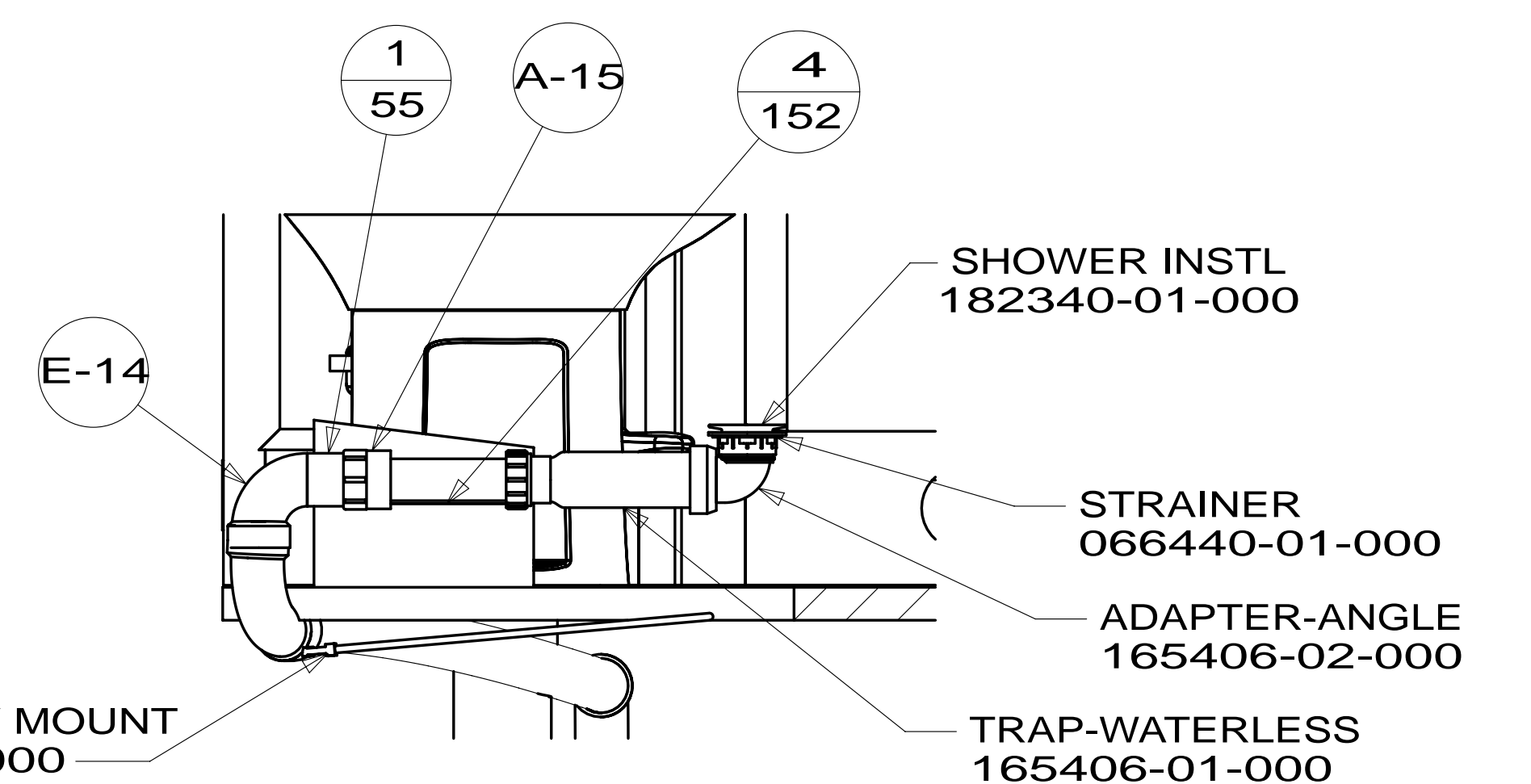
* 184787 * A



VIEW CA



SECTION CC-CC



SECTION CB-CB

TOILET SPRAYER (REF)

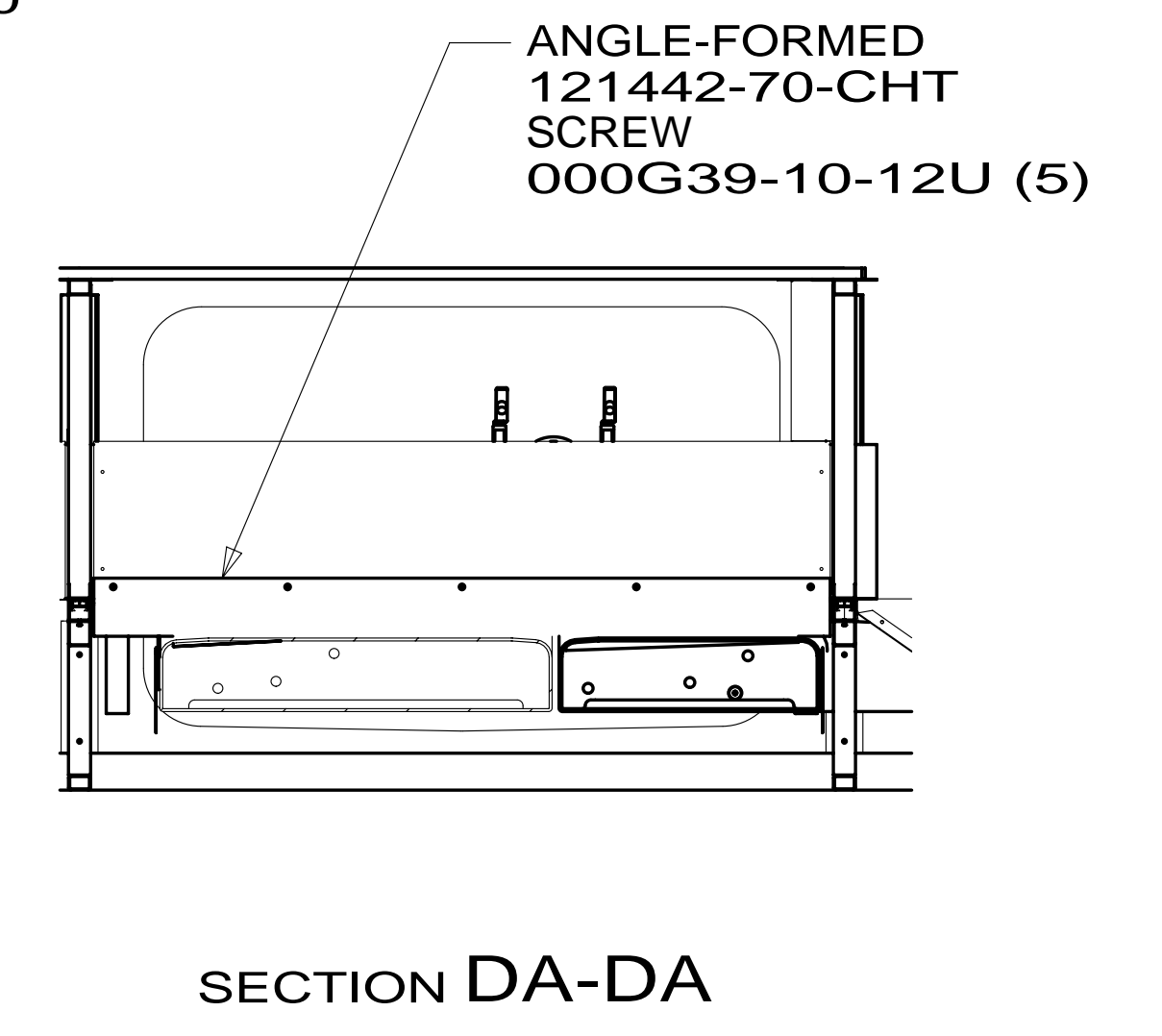
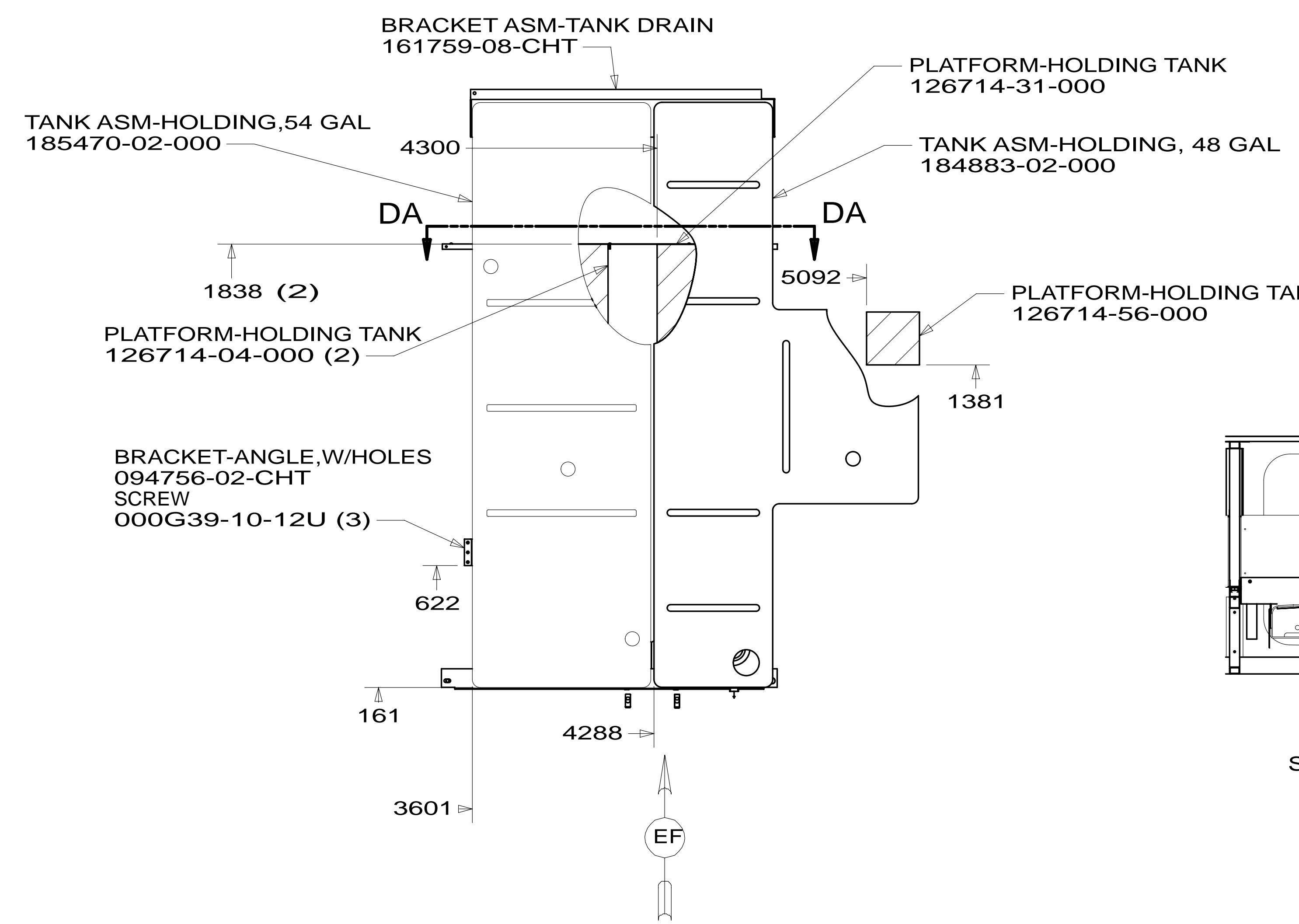
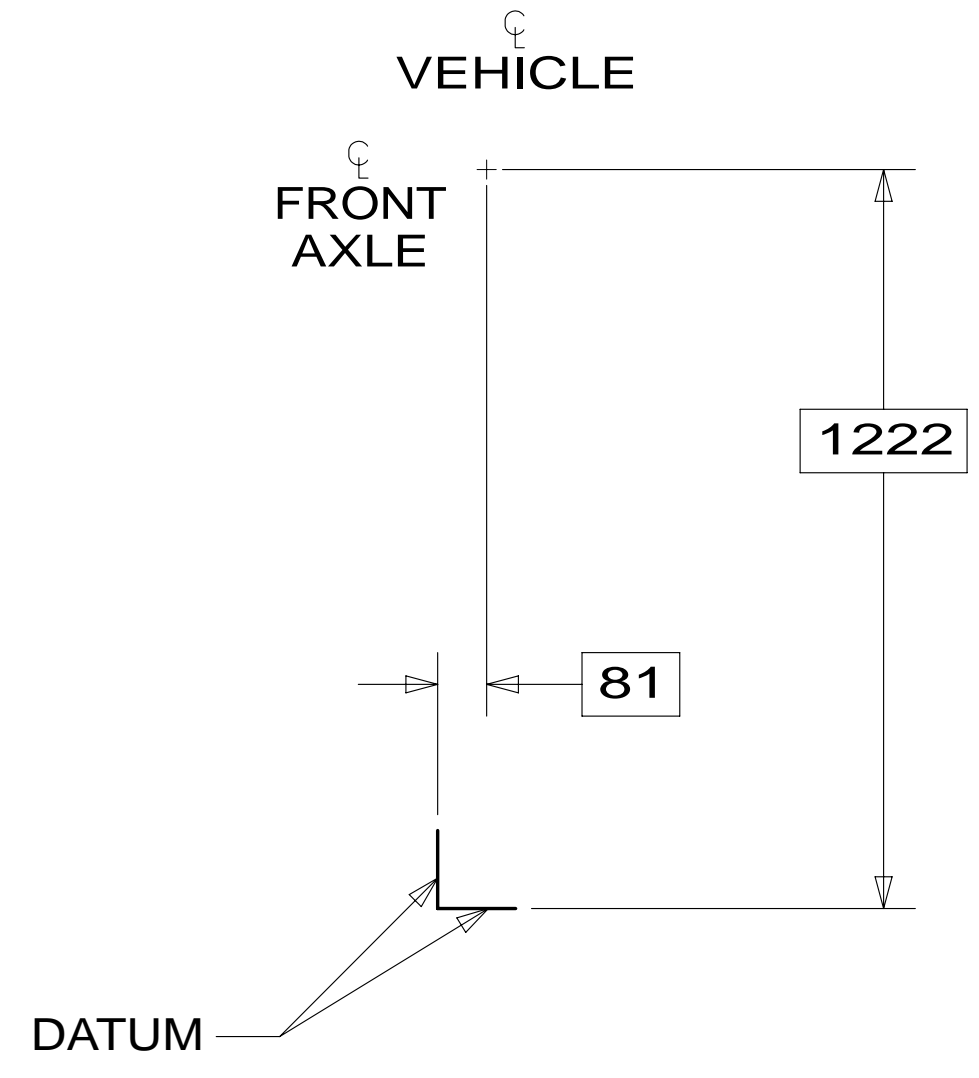
TOILET-STYLE II LP,W/SPRAYER
160815-01-CHT
SCREW
087721-01-000 (6)

CABLE TIE-SCREW MOUNT
108046-02-000

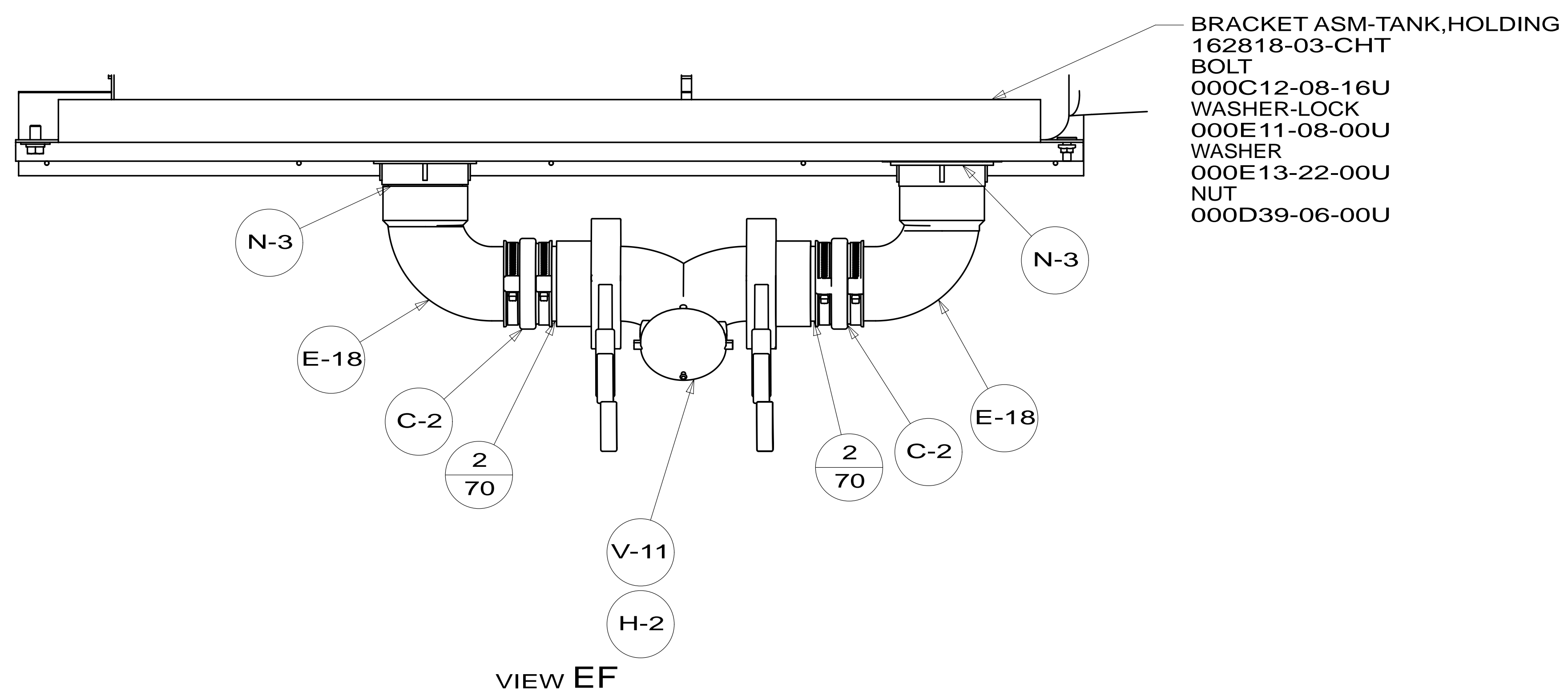
FOAM
100619-27-002
(200 X 200)
PLATFORM-HOLDING TANK
126714-56-000

FIRST USED	14 L34T	
TITLE:	DO NOT SCALE DRAWING	
SHEET 3	PART NO 184787	REV
		14-Oct-2013

*184787 *A

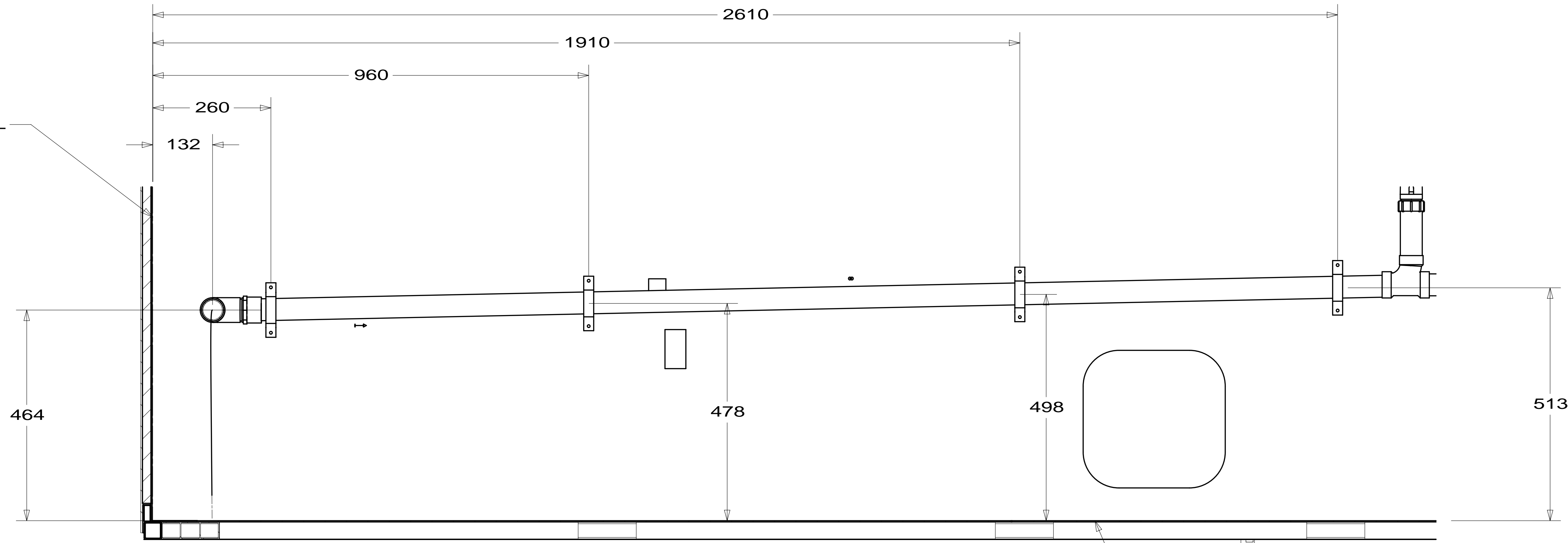


TOP VIEW SHOWING ONLY DRAINS AND TANKS



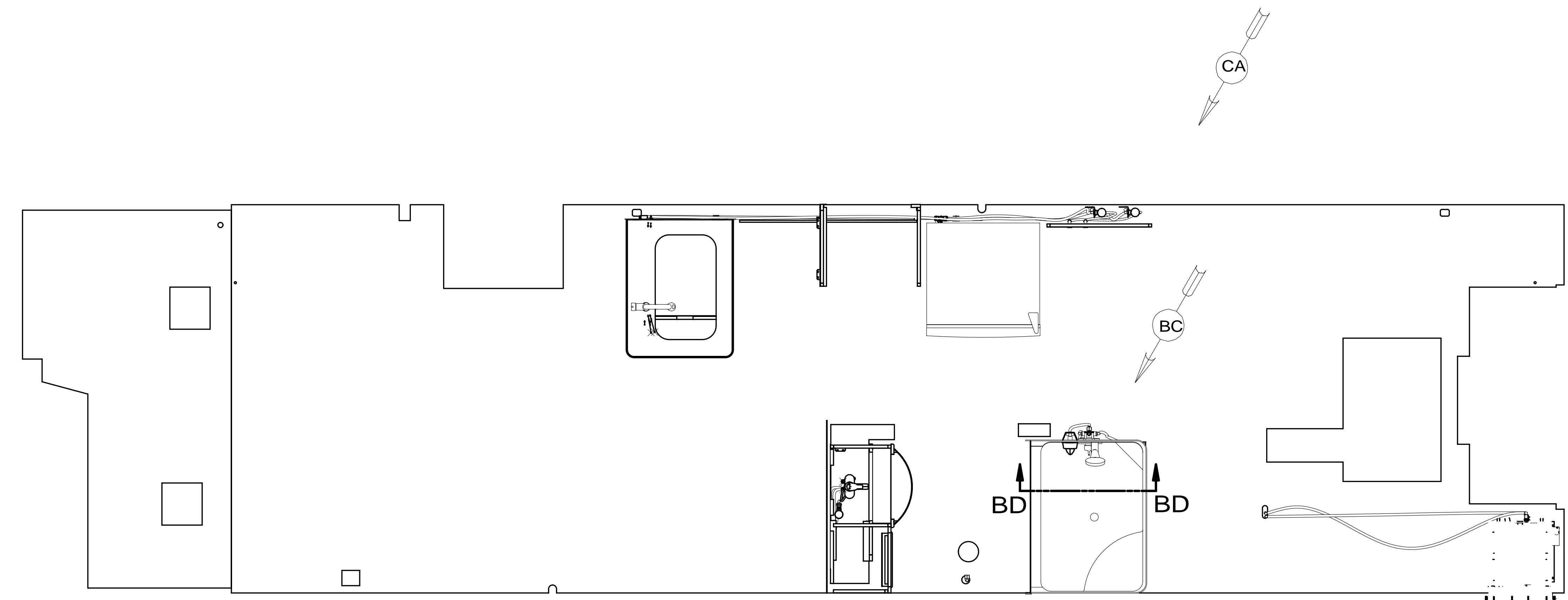
FIRST USED	14 L34T	
TITLE:	DO NOT SCALE DRAWING	
TITLE:	DRAINAGE SYSTEM INSTL	
SHEET 4	PART NO 184787	REV
		14-Oct-2013

*184787 *A



SECTION EA-EA
(SHOWN W/OUT CABINETS)

FIRST USED	14 L34T		
DO NOT SCALE DRAWING			
TITLE: DRAINAGE SYSTEM INSTL			
SHEET 5	PART NO	184787	REV



- 11 VALVE MUST REMAIN OPEN AFTER WATER TEST.
- 10 INSTALL FAUCET W/OUT BASEPLATE.
- 9 ELBOW TO BE TURN 45° BELOW HORIZONTAL LINE.

- 8. ALL CRIMP FITTINGS TO 1/2" PEX TUBING REQUIRE 1/2" CLAMP 140171-03-000.
- 7. ALL CRIMP FITTINGS TO 5/8" PEX TUBING REQUIRE 5/8" CLAMP 140171-04-000.
- 6 LABEL HOT AND COLD SUPPLY TUBES AND TAPE FITTING TO TUBE BEFORE CABINET SET TO PREVENT MOVEMENT.
- 5 ADD PIPE WRAP (LADDER SCRAP 110157-02-000) INSULATION.
- 4 ADD TEFLON TAPE 010405-02-000.

- 3. ALL TUBING TO BE SECURED AT 1200 INTERVALS MAXIMUM WITH CLAMP 010495-01-000 AND SCREW 000G67-10-12U OR EQUIVALENT.
- 2. TUBING TO BE INSTALLED WITH SUFFICIENT SLOPE TO PROVIDE DRAINAGE TO NEAREST VALVE.
- 1. PLASTIC FITTINGS TO BE SEALED WITH SEALANT 084456-01-000.

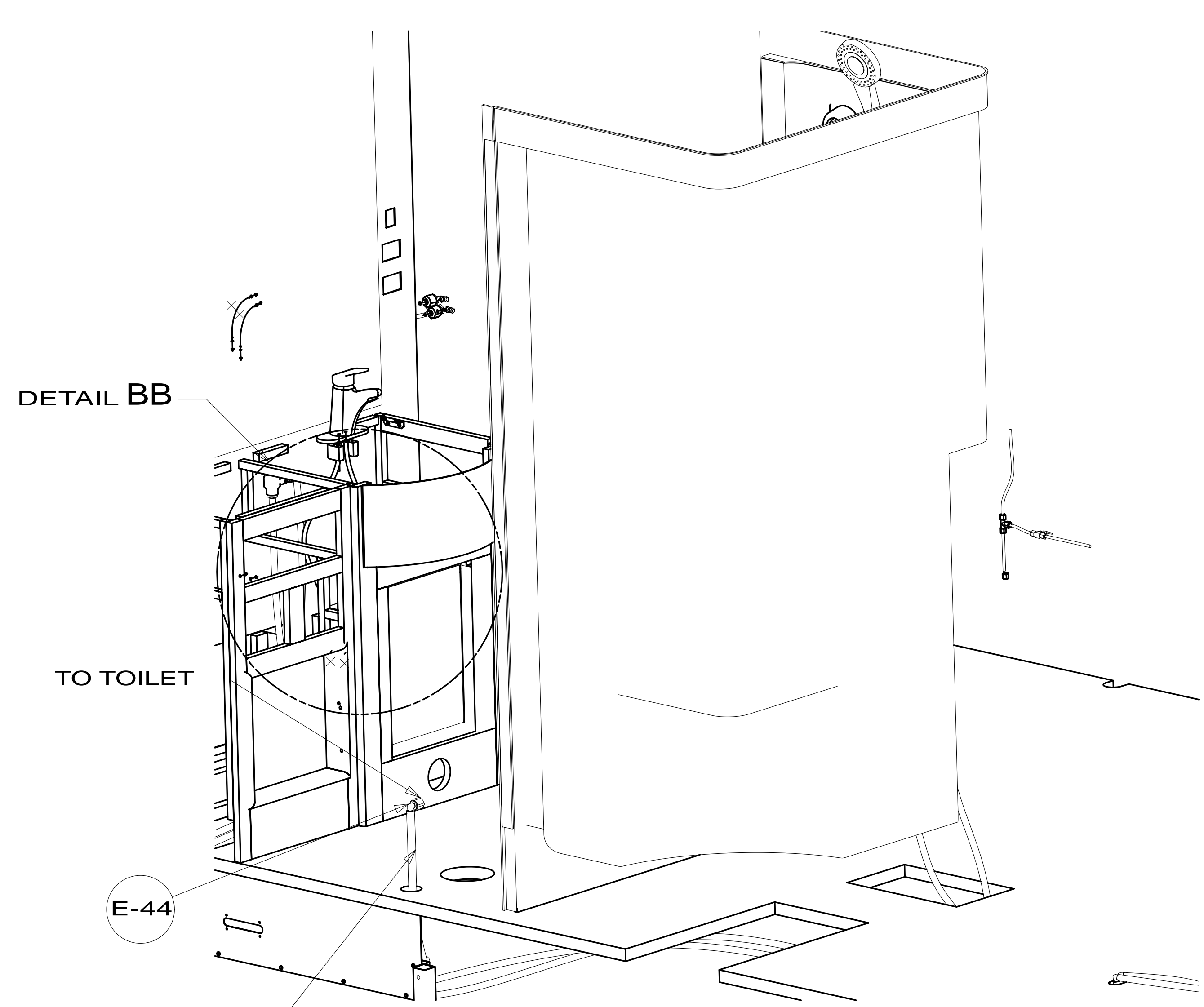
NOTES:

- 53F WATER HEATER-ELEC. IGNITION
- 53K WTR HTR-10GAL/ELECTRIC/LPGAS
- 21M WASHER/DRYER PREP
- 21S WASHER & DRYER-PAIR

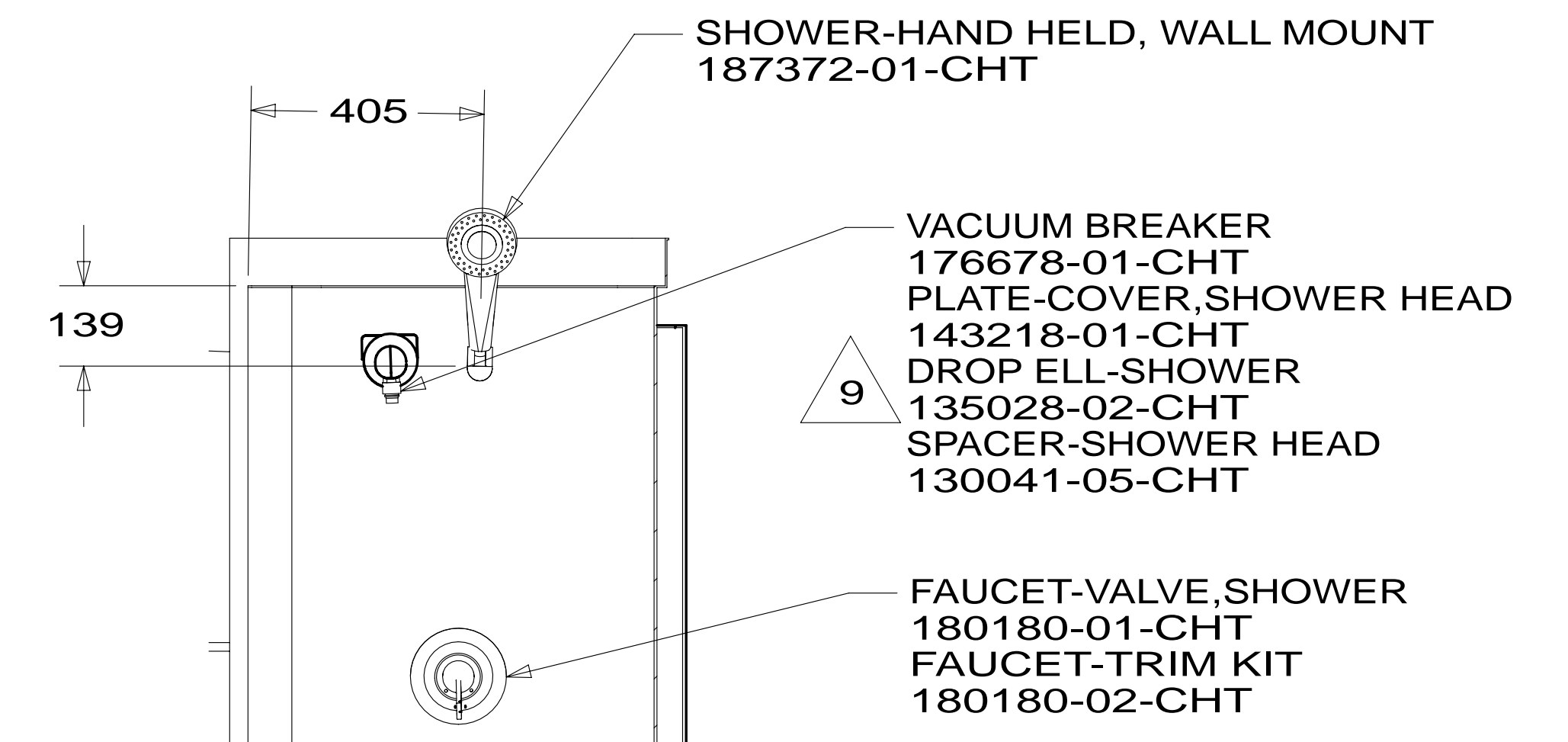
		COPYRIGHT 2014 WINNEBAGO INDUSTRIES, INC.	
DFTR	ORIG. DATE	ALL DIMENSIONS ARE IN MILLIMETERS	
CHKR			
P.E.			
M.E.	FIRST USED		
DSNR		14 L34T	
UNSPECIFIED TOLERANCES ARE:		MATERIAL:	
WHOLE DIM (X)	: 3		
ONE-PLACE (X.X)	: 1.5		
TWO-PLACE (X.XX)	: 0.50		
ANGLE	: 1°		
THIRD ANGLE PROJECTION			
DO NOT SCALE DRAWING		REFER TO ES0018 FOR FASTENER TIGHTENING GUIDELINES	
TITLE: WATER SYSTEM INSTL			
SHEET 1 OF 4	PART NO	184794	REV
REF:	1	16-Apr-2014	

FOR WATER CALLOUTS SEE DWG NO 116230-01-000

* 184794 * A



VIEW BA



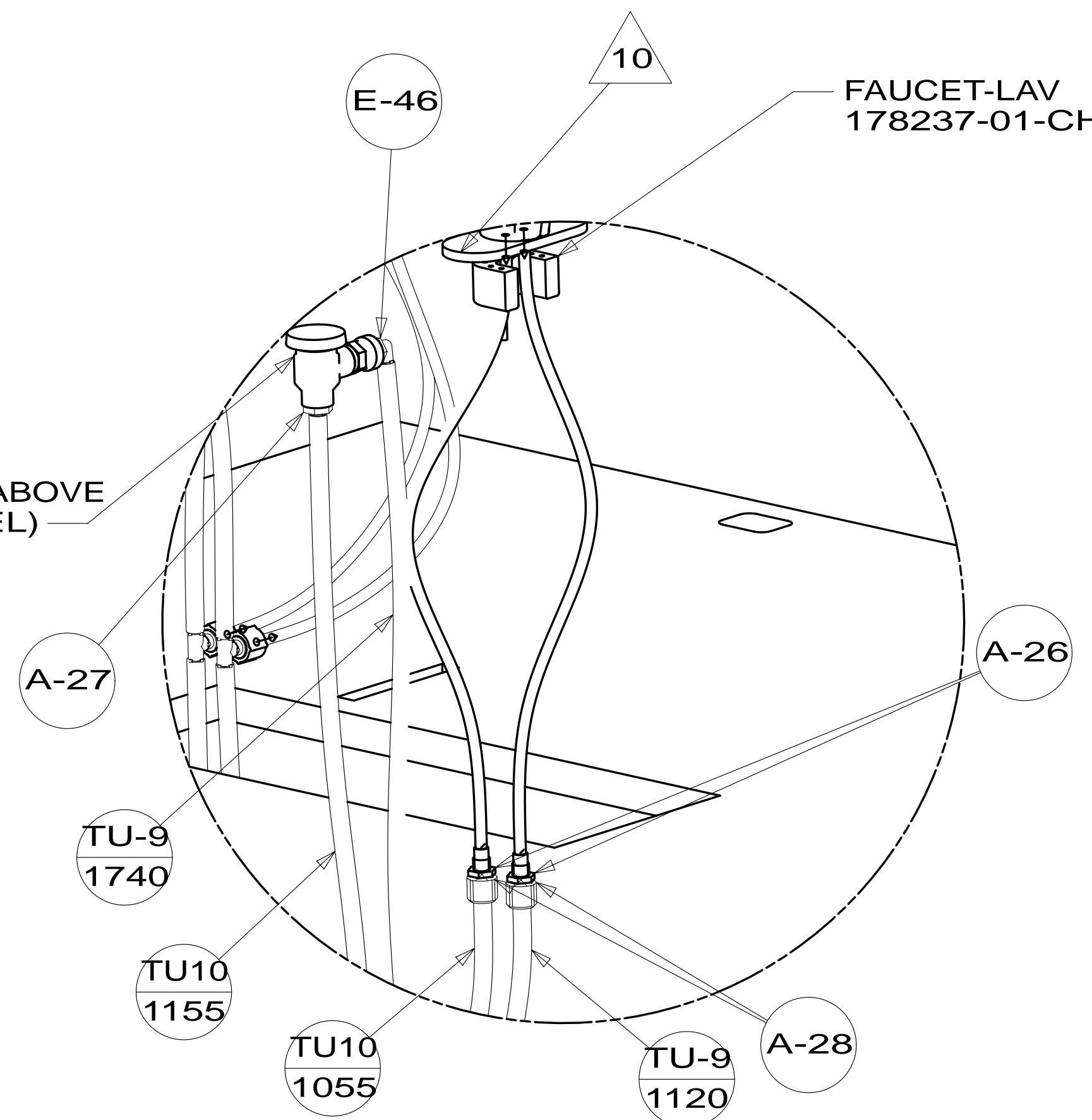
SECTION BD-BD

- SHOWER-HAND HELD, WALL MOUNT
187372-01-CHT
- VACUUM BREAKER
176678-01-CHT
- PLATE-COVER, SHOWER HEAD
143218-01-CHT
- DROP ELL-SHOWER
135028-02-CHT
- SPACER-SHOWER HEAD
130041-05-CHT
- FAUCET-VALVE, SHOWER
180180-01-CHT
- FAUCET-TRIM KIT
180180-02-CHT

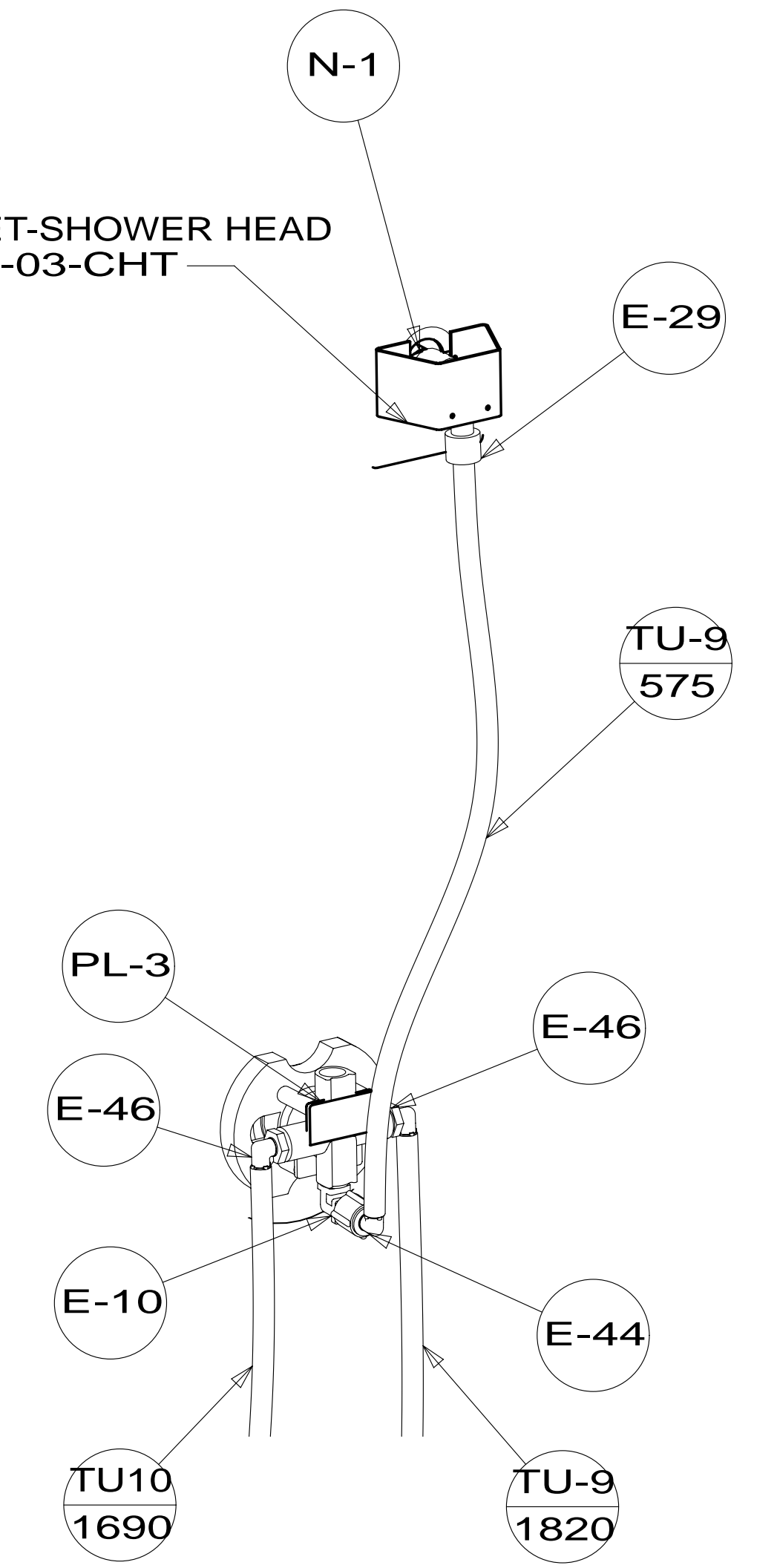
BRACKET-SHOWER HEAD
131550-03-CHT

FAUCET-LAV
178237-01-CHT

BREAKER-VACUUM
125697-04-000
CHECK VALVE
125697-03-000
(MUST BE MOUNTED ABOVE
TOILET FLOOD LEVEL)



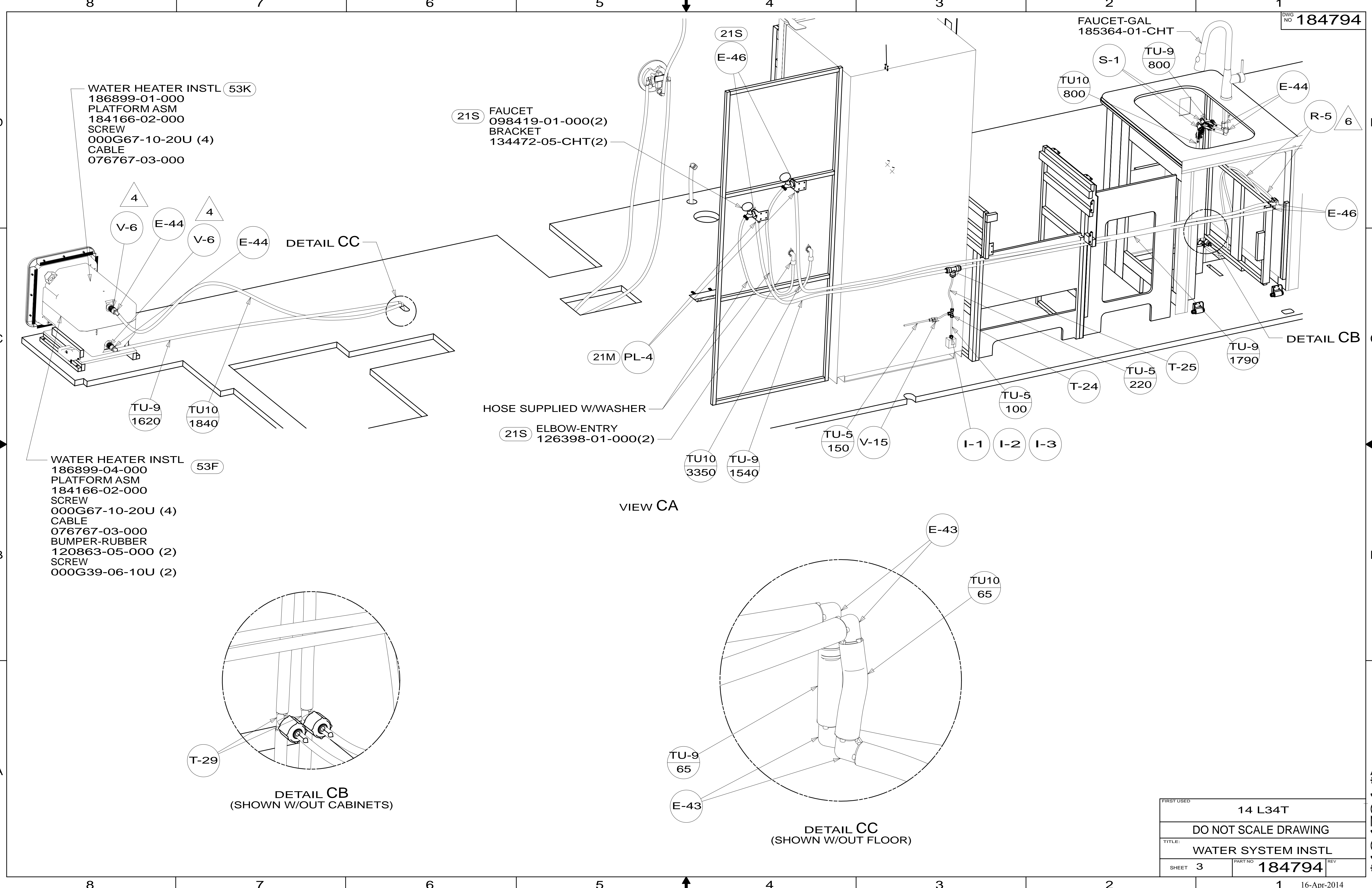
DETAIL BB
(SHOWN W/OUT CABINETS)



VIEW BC
(SHOWN W/OUT CABINETS)

FIRST USED	14 L34T		
TITLE:	DO NOT SCALE DRAWING		
	WATER SYSTEM INSTL		
SHEET 2	PART NO	184794	REV

*184794 *A



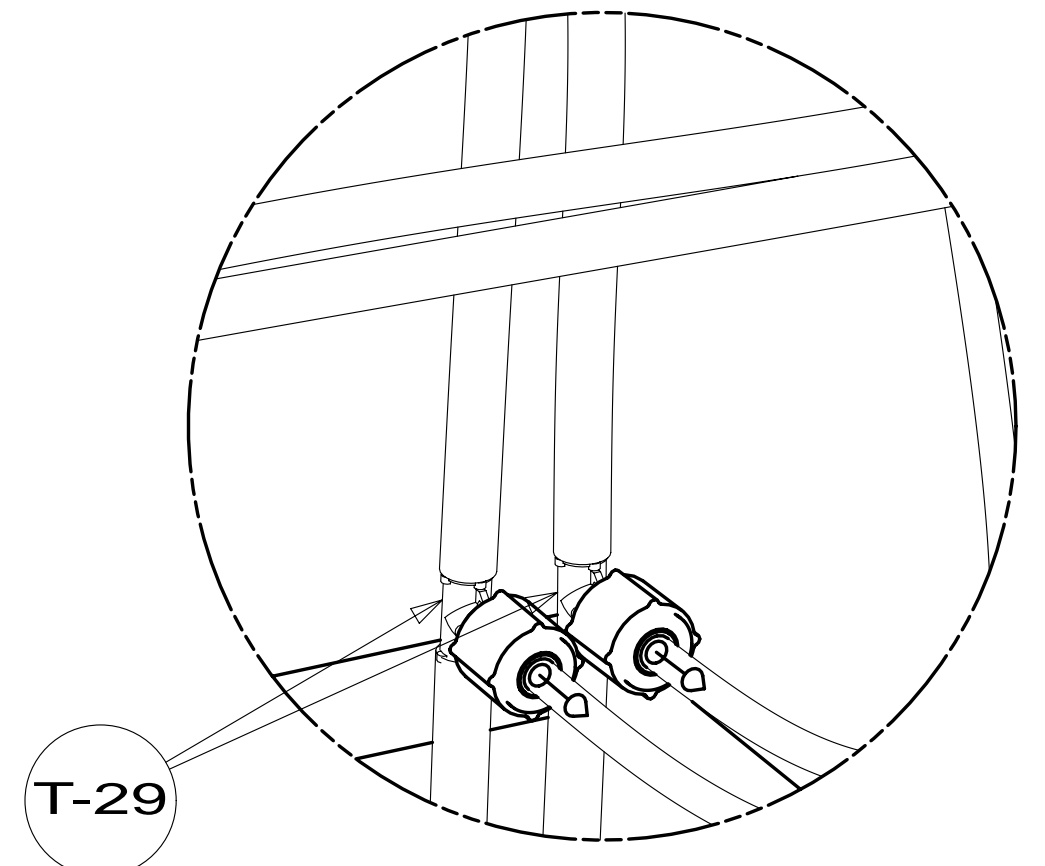
WATER HEATER INSTL 53K
186899-01-000
PLATFORM ASM
184166-02-000
SCREW
000G67-10-20U (4)
CABLE
076767-03-000

21S FAUCET
098419-01-000(2)
BRACKET
134472-05-CHT(2)

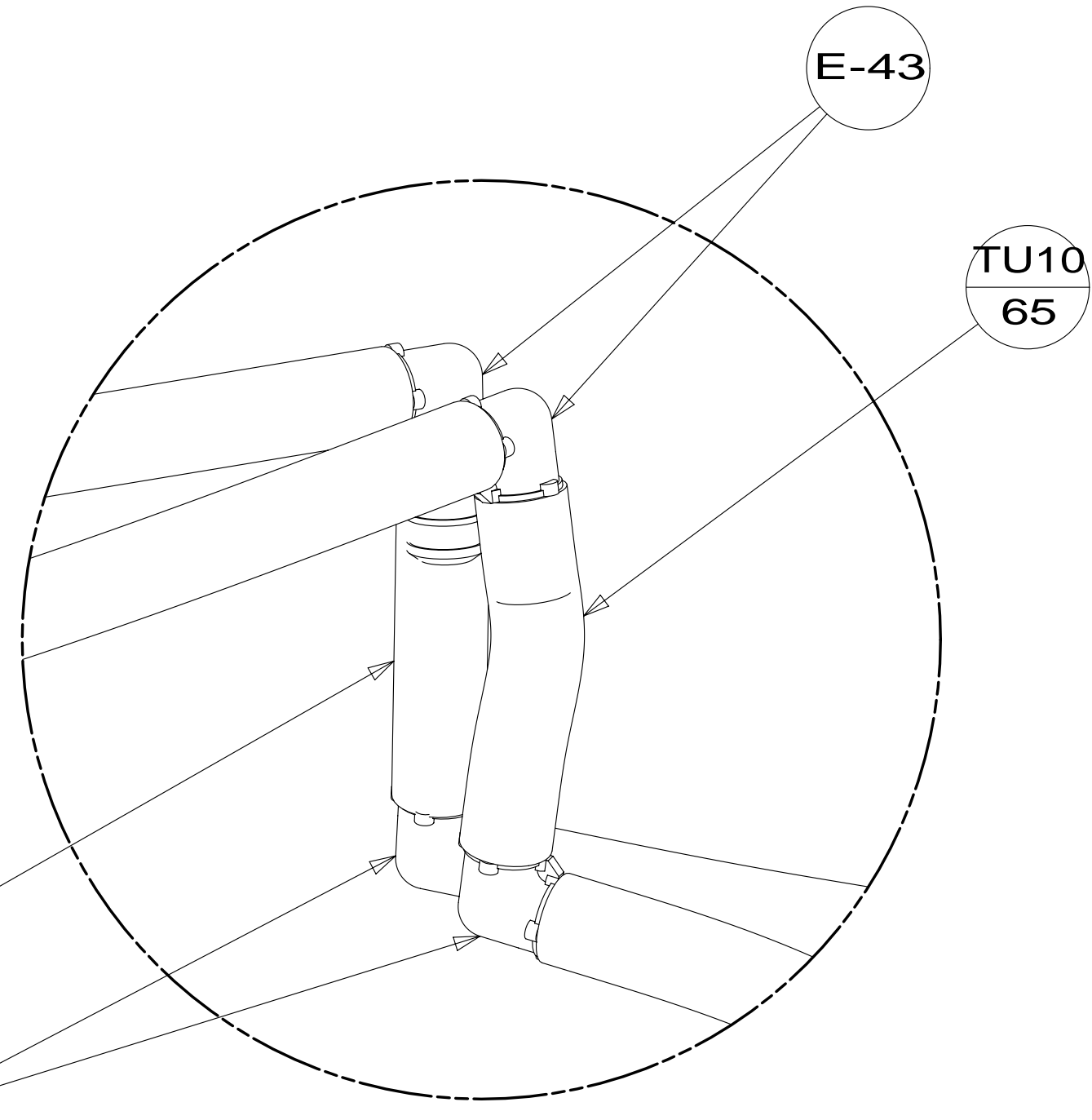
FAUCET-GAL
185364-01-CHT

WATER HEATER INSTL 53F
186899-04-000
PLATFORM ASM
184166-02-000
SCREW
000G67-10-20U (4)
CABLE
076767-03-000
BUMPER-RUBBER
120863-05-000 (2)
SCREW
000G39-06-10U (2)

VIEW CA



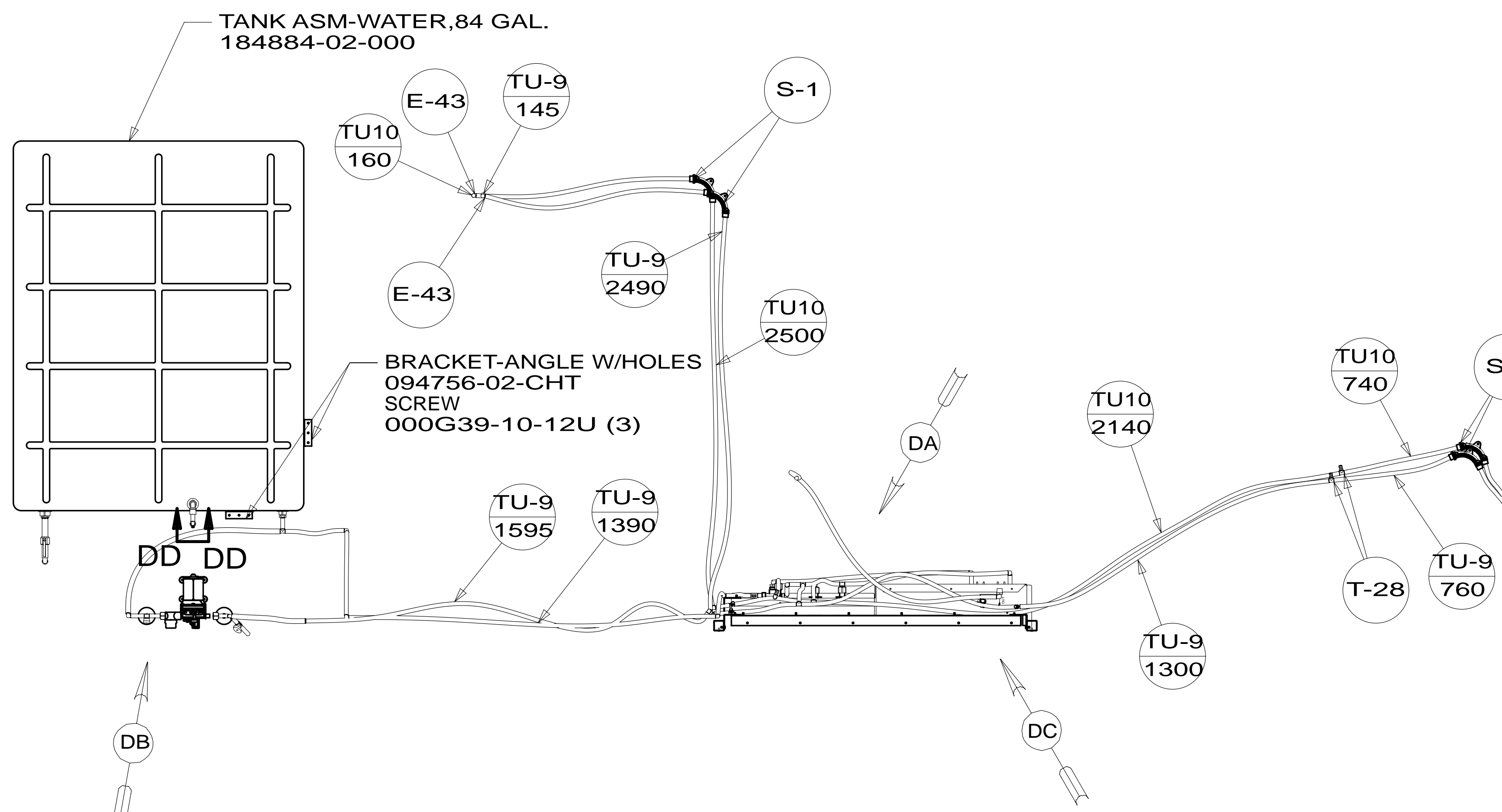
DETAIL CB
(SHOWN W/OUT CABINETS)



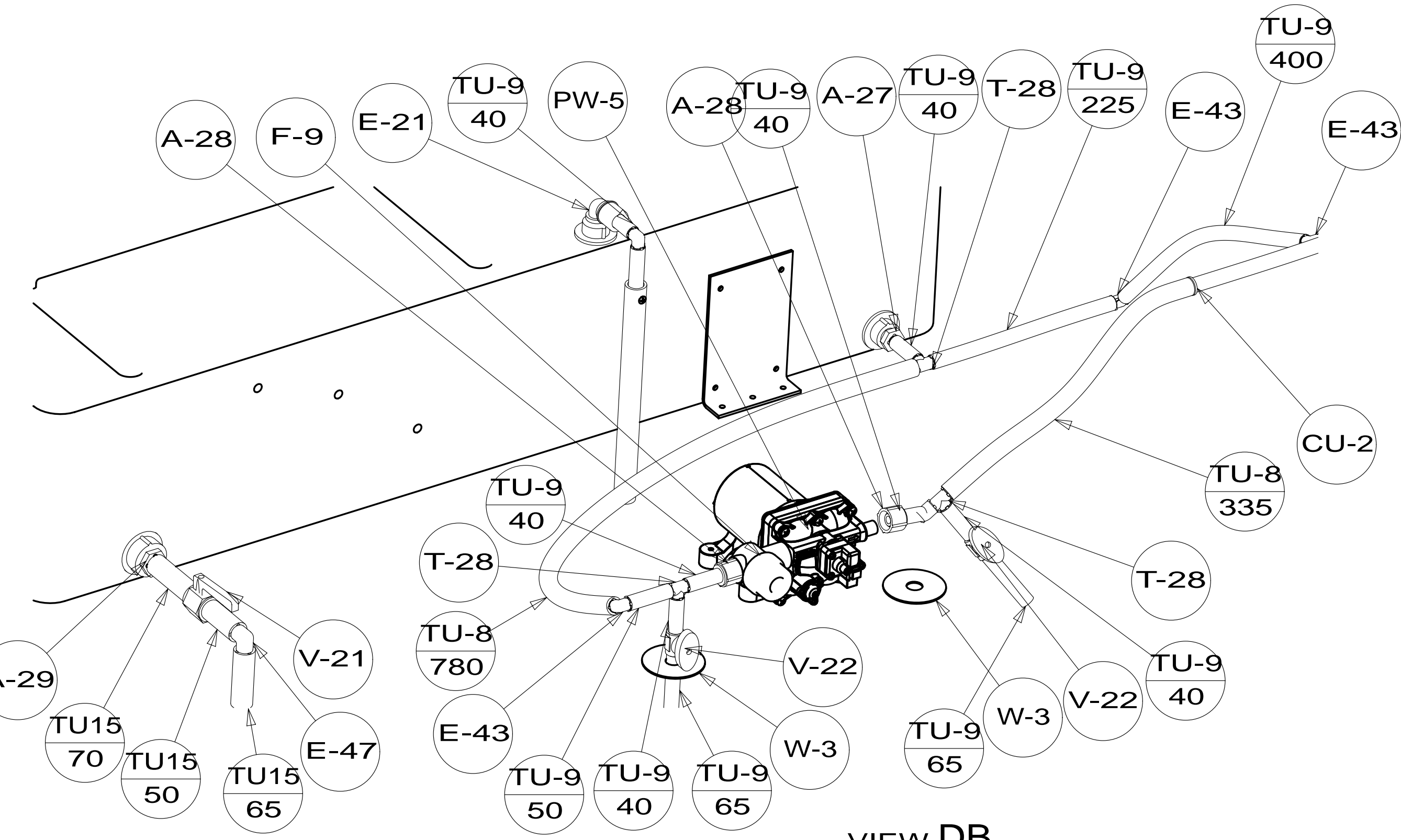
DETAIL CC
(SHOWN W/OUT FLOOR)

FIRST USED	14 L34T
DO NOT SCALE DRAWING	
TITLE: WATER SYSTEM INSTL	
SHEET 3	PART NO 184794 REV
16-Apr-2014	

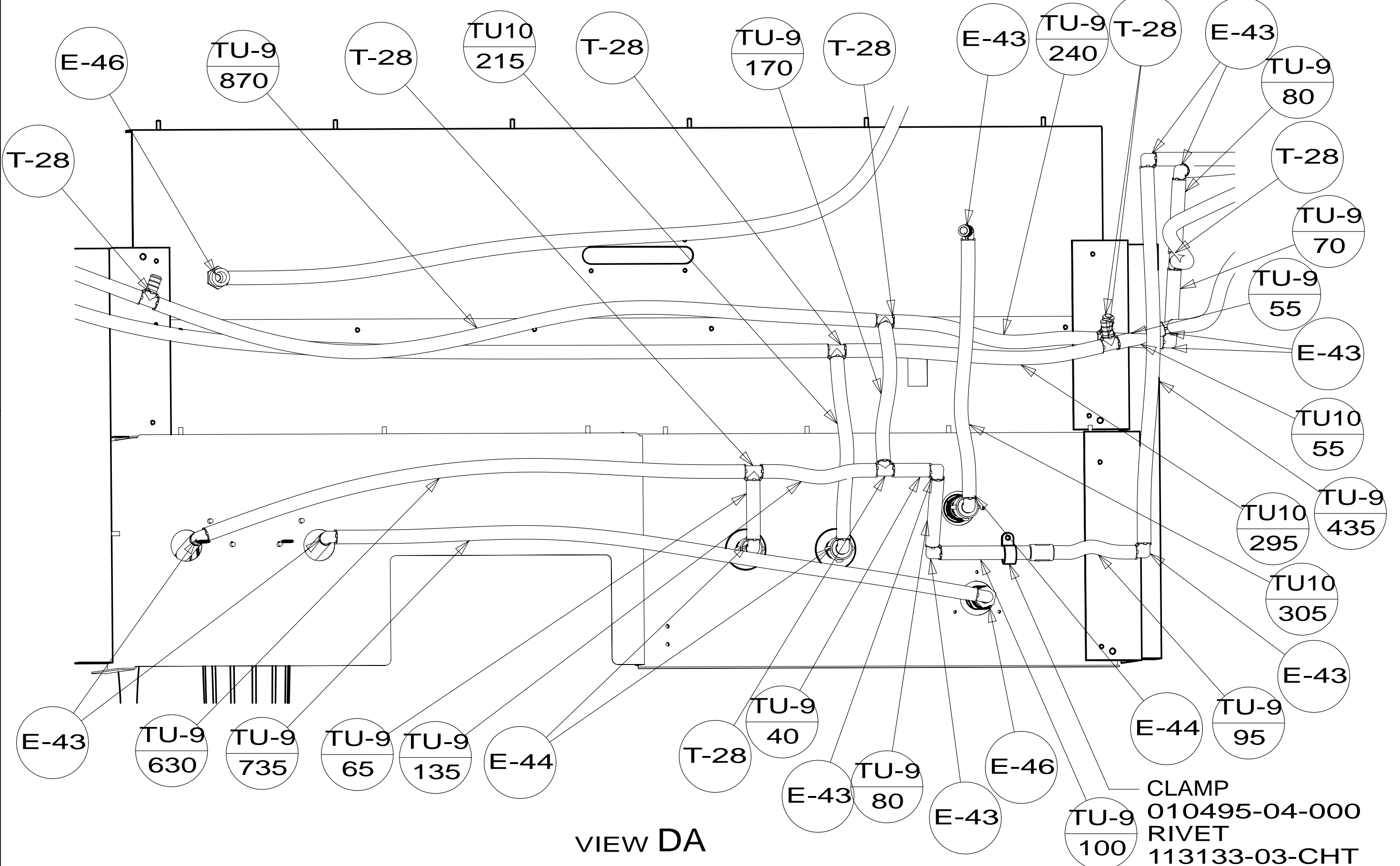
*184794 *A



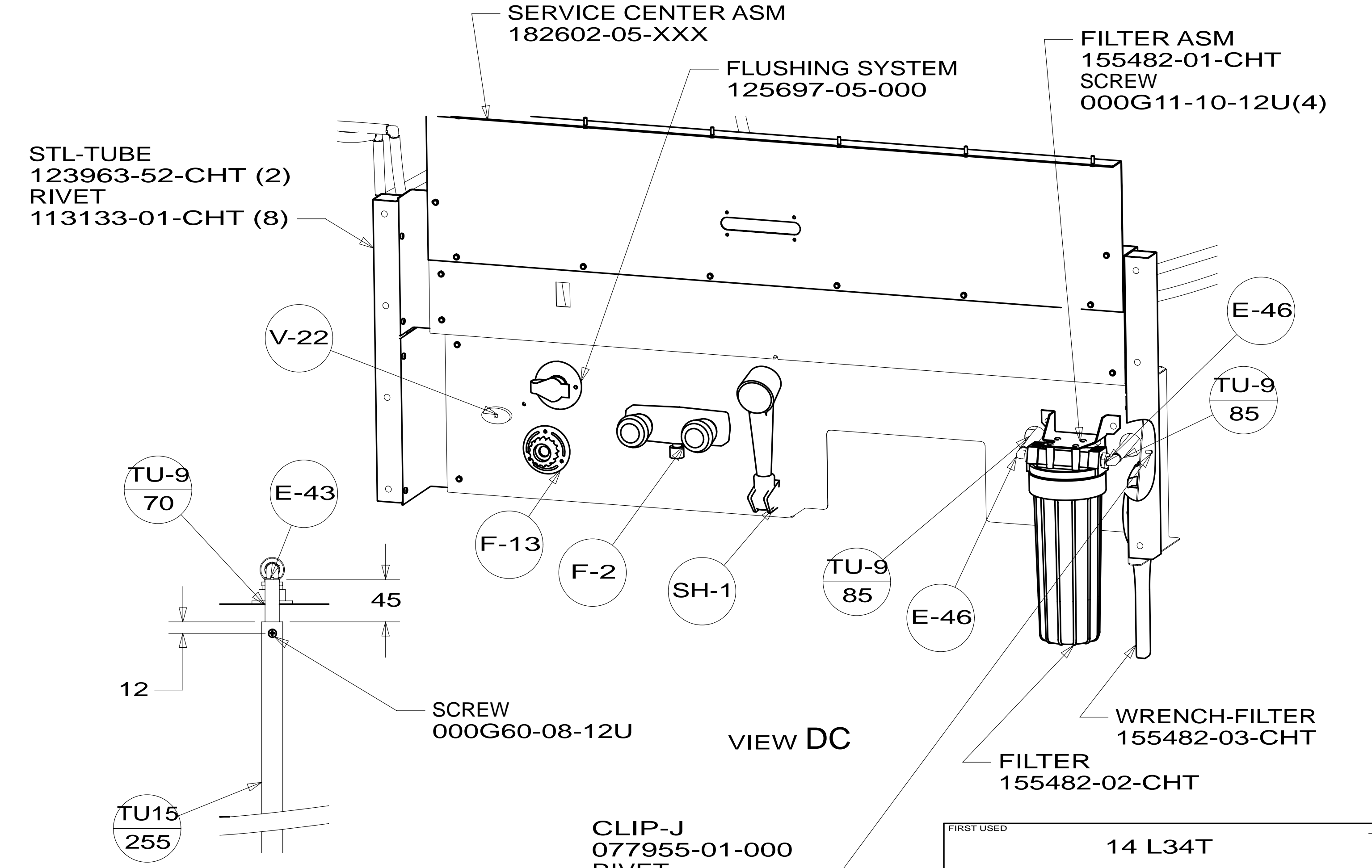
TOP VIEW SHOWING LINE UNDER FLOOR



VIEW DB



VIEW DA



VIEW DC

SECTION DD-DD

FIRST USED	14 L34T
TITLE:	DO NOT SCALE DRAWING
SHEET 4	PART NO 184794 REV