

14. REQUIRES 10 GALLONS OF 182955-01-000.
13. PLACE PLYWOOD UNDER SHOWER AS REQUIRED.
12. ADD TEFLON TAPE 010405-01-000.
11. GLUE FITTING AFTER CABINET IS INSTALLED.
10. APPLY PRIMER 126427-02-000 AND CEMENT 126427-01-000 BETWEEN ELBOW AND FLEX PIPE.
9. SEE DRAWING 061607 FOR INSTALLATION OF GROMMETS.
8. SECURE DRAINAGE PIPES TO CABINET USING WIRE TIE 108046-02-000, AND SCREW 000G67-10-12U AT INTERVALS OF NOT MORE THAN 1219 MM APART.
7. SECURE VENT PIPE TO TANK WITH CLAMP 062401-02-000.
6. VENT PIPE MUST PROJECT 51 MIN AND 64 MAX ABOVE ROOF FOR PROPER FIT AND FUNCTION. ADD S-1 (116666-01-CHT SEAL-VENT PIPE) AROUND PIPE ON ROOF BEFORE VENT CAP IS INSTALLED.
5. SEAL AROUND SHOWER WITH SILICONE.
4. USE SMOOTH PLUMBERS PUTTY 167459-01-000 TO SEAL STRAINER (0.2 PER STRAINER).
3. ALL PIPE AND FITTINGS TO BE ASSEMBLED WITH SOLVENT 004020-01-000 (USA), 004020-02-000 (CAN)
2. SLOPE OF TRAP ARM MUST BE 6 PER 305 mm.
1. SLOPE OF HORIZONTAL PIPING TO BE MINIMUM OF 3 PER 305 mm.

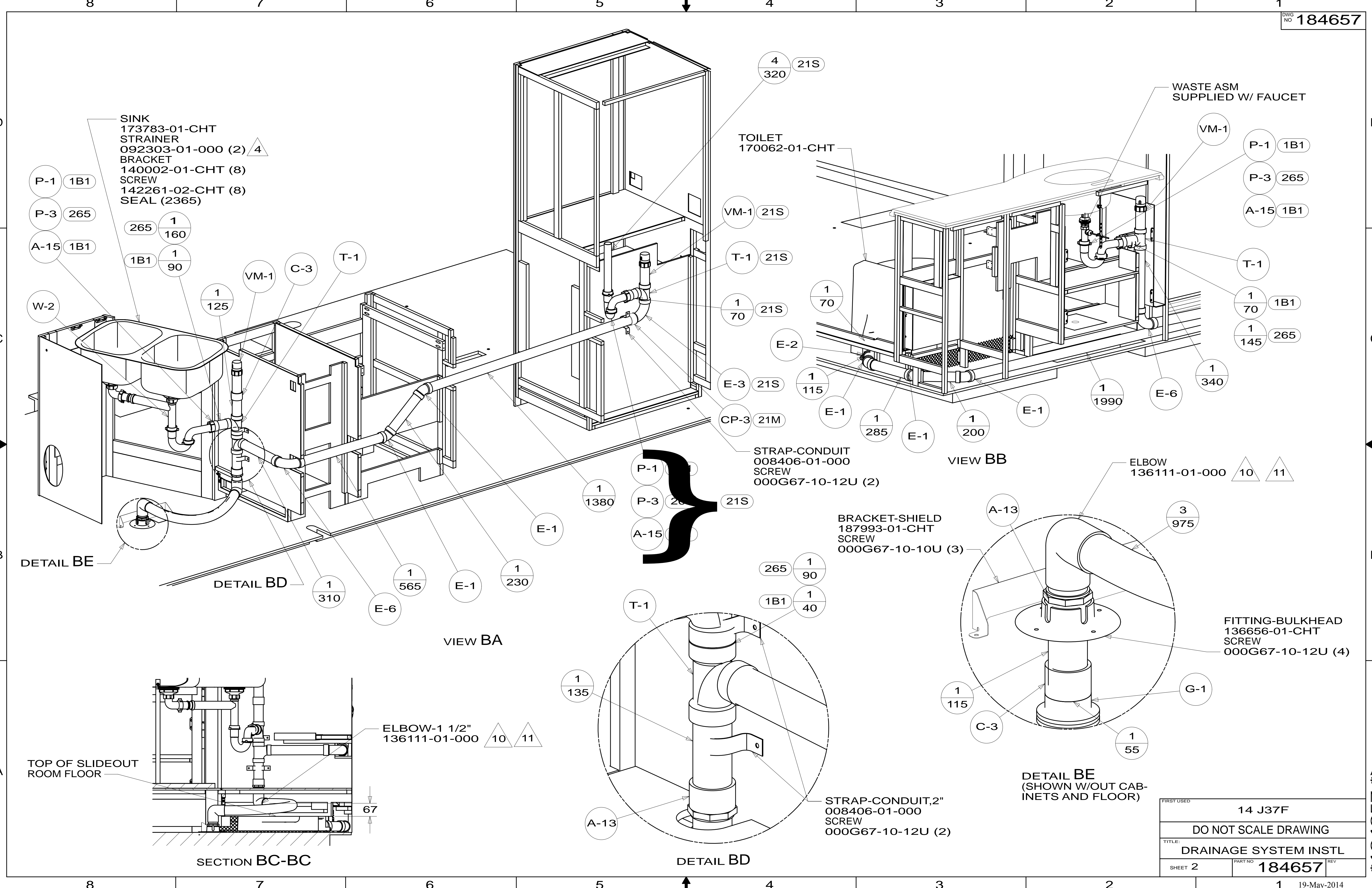
- (21S) WASHER & DRYER-PAIR
- (21M) WASHER/DRYER PREP
- (1B1) CODES/STANDARDS USA
- (265) CODES/STANDARDS-CSA/CMVSS

WINNEBAGO		COPYRIGHT 2014 WINNEBAGO INDUSTRIES, INC.	
DTR	ORIG. DATE	ALL DIMENSIONS ARE IN MILLIMETERS	
CHKR		FIRST USED	
P.E.		14 J37F	
M.E.		UNSPECIFIED TOLERANCES ARE:	
DSNR		WHOLE DIM (X)	: 3
		ONE-PLACE (X.X)	: 1.5
		TWO-PLACE (X.XX)	: 0.50
		ANGLE	: 1°
		THIRD ANGLE PROJECTION	
DO NOT SCALE DRAWING		REFER TO ES0018 FOR FASTENER TIGHTENING GUIDELINES	
TITLE: DRAINAGE SYSTEM INSTL			
SHEET 1 OF 4	PART NO	184657	REV
REF:	1	19-May-2014	

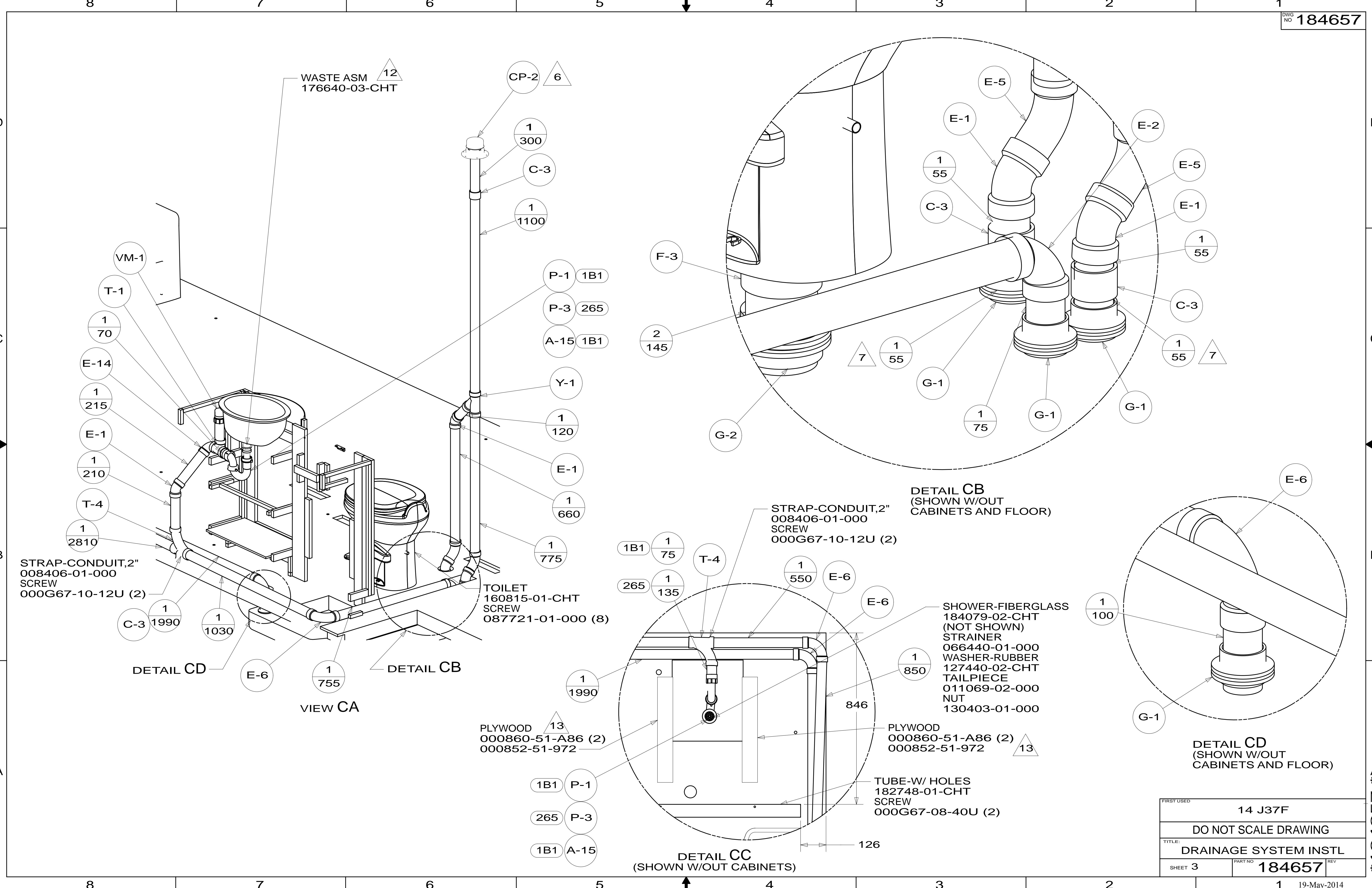
FOR
DRAINAGE
CALLOUTS
SEE DWG NO
116229-01-000

NOTES:

* 184657 * A



*184657 *A



WASTE ASM
176640-03-CHT

CP-2 6

1
300

C-3

1
1100

P-1 1B1

P-3 265

A-15 1B1

Y-1

1
120

E-1

1
660

1
775

TOILET
160815-01-CHT
SCREW
087721-01-000 (8)

1B1 1
75

265 1
135

1
550

E-6

E-6

SHOWER-FIBERGLASS
184079-02-CHT
(NOT SHOWN)
STRAINER
066440-01-000
WASHER-RUBBER
127440-02-CHT
TAILPIECE
011069-02-000
NUT
130403-01-000

1
850

PLYWOOD
000860-51-A86 (2)
000852-51-972

TUBE-W/ HOLES
182748-01-CHT
SCREW
000G67-08-40U (2)

DETAIL CC
(SHOWN W/OUT CABINETS)

DETAIL CB
(SHOWN W/OUT
CABINETS AND FLOOR)

DETAIL CD
(SHOWN W/OUT
CABINETS AND FLOOR)

STRAP-CONDUIT,2"
008406-01-000
SCREW
000G67-10-12U (2)

DETAIL CD

VIEW CA

DETAIL CB

PLYWOOD
000860-51-A86 (2)
000852-51-972

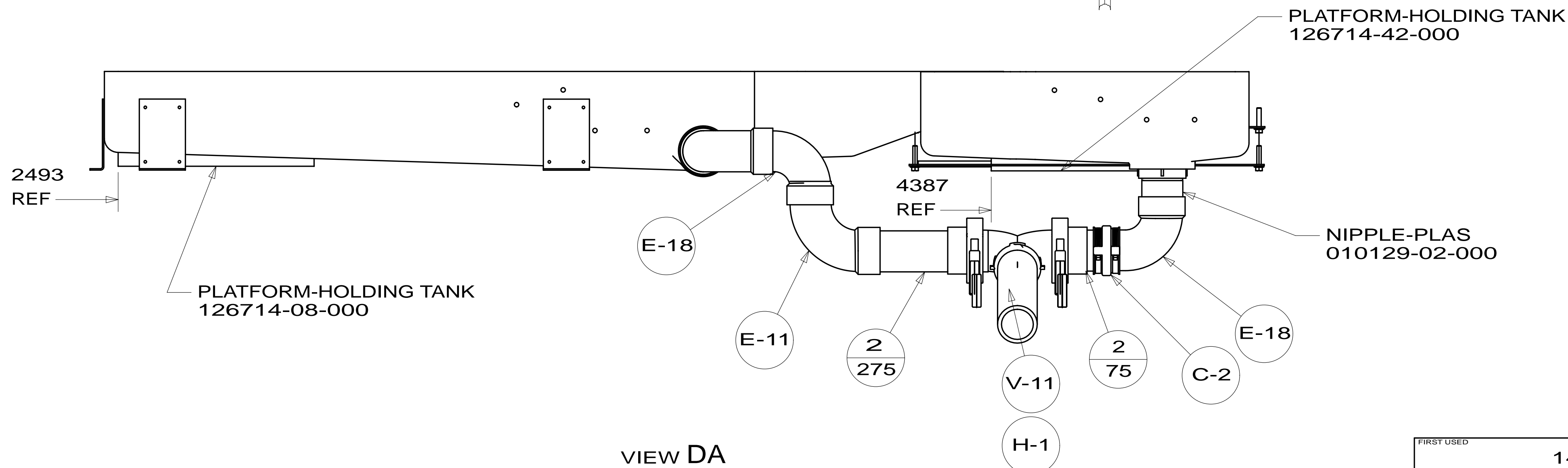
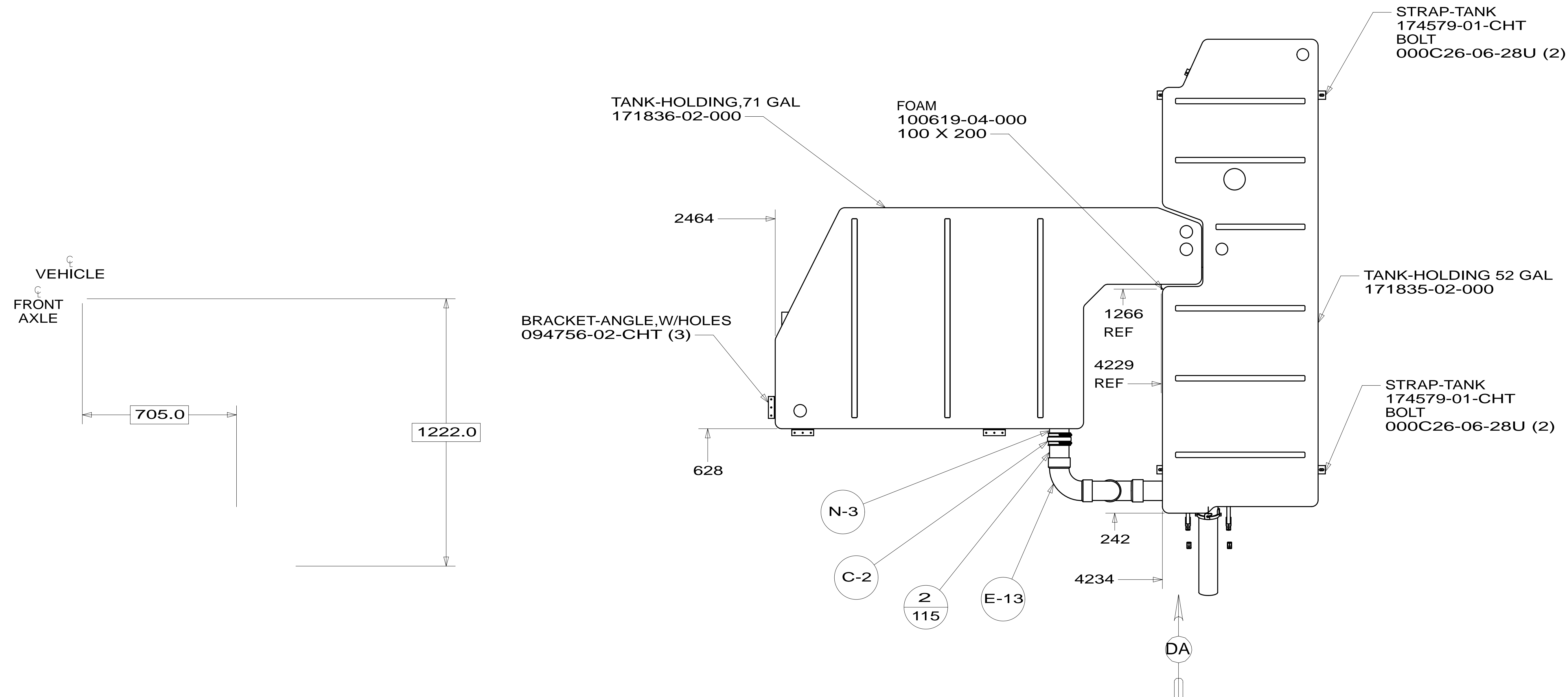
1B1 P-1

265 P-3

1B1 A-15

FIRST USED		14 J37F	
DO NOT SCALE DRAWING			
TITLE: DRAINAGE SYSTEM INSTL			
SHEET 3	PART NO	184657	REV
		19-May-2014	

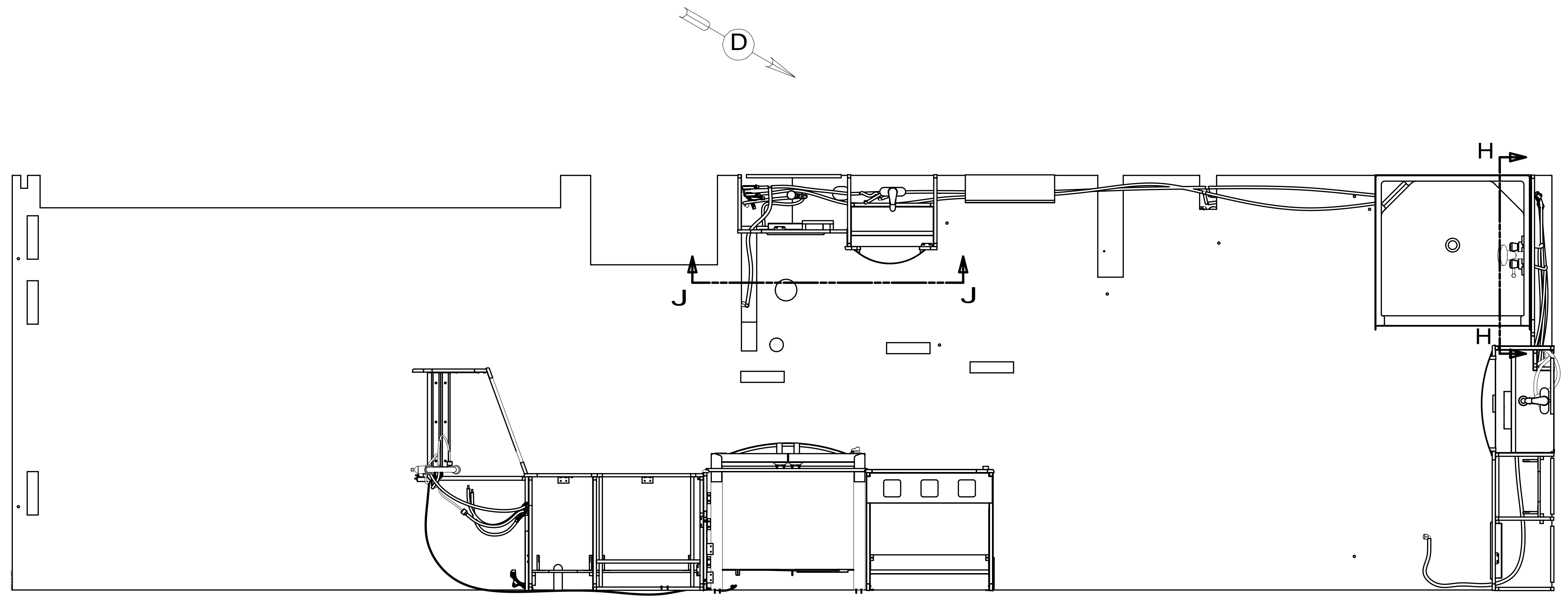
*184657 *A



VIEW DA

FIRST USED	14 J37F		
TITLE:	DO NOT SCALE DRAWING		
TITLE:	DRAINAGE SYSTEM INSTL		
SHEET 4	PART NO	184657	REV
			19-May-2014

*184657 *A

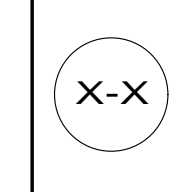


- (21S) WASHER & DRYER-PAIR
- (21M) WASHER/DRYER PREP
- (79W) REFRIGERATOR-4 DOOR
- (15L) RESIDENTIAL REFRIGERATOR PKG
- (29B) WATER PURIFIER
- (1B2) WTR HTR-10 GAL/ELEC/LP/MTRAIID
- (53E) WATER SYS WINTERIZATION PKG

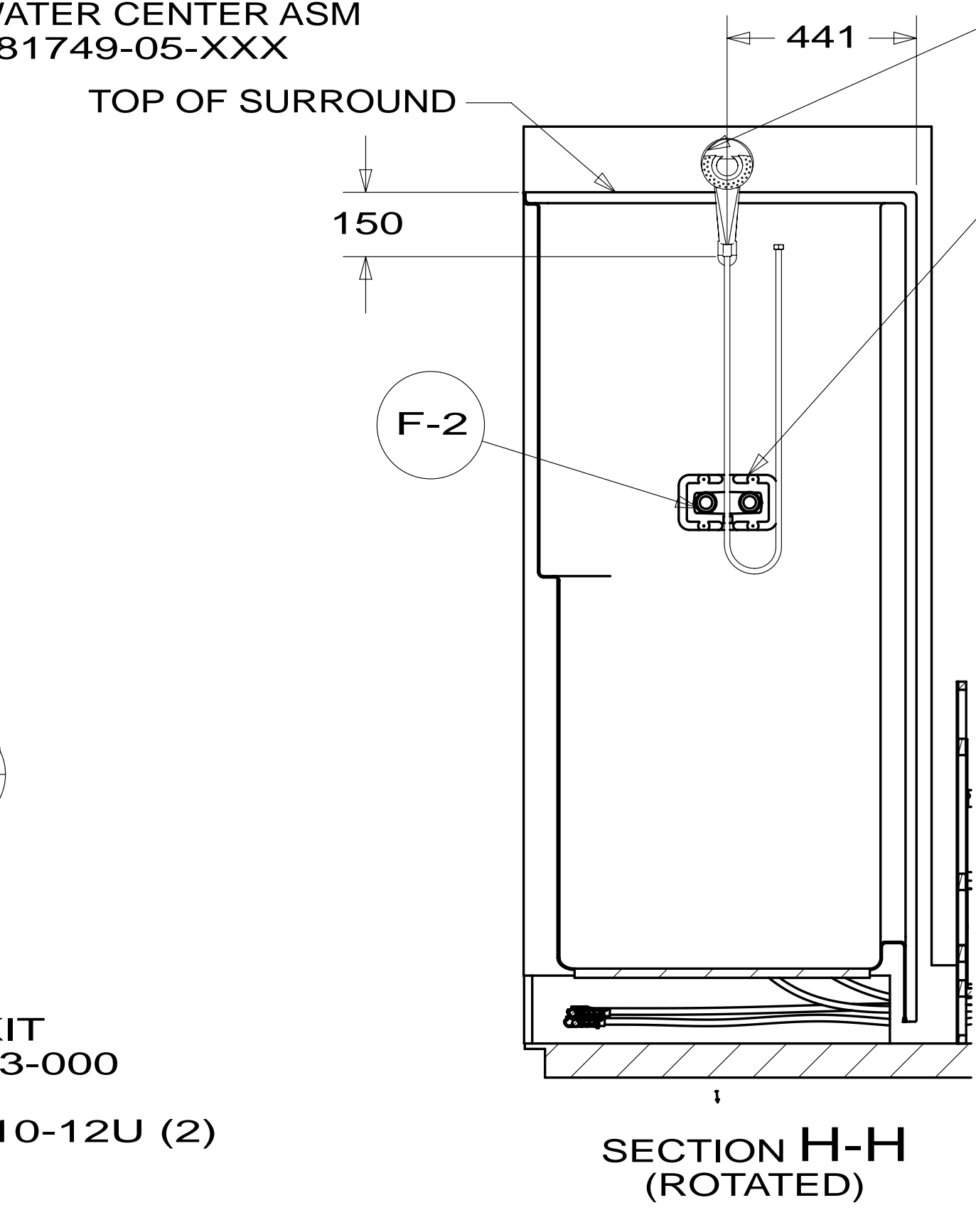
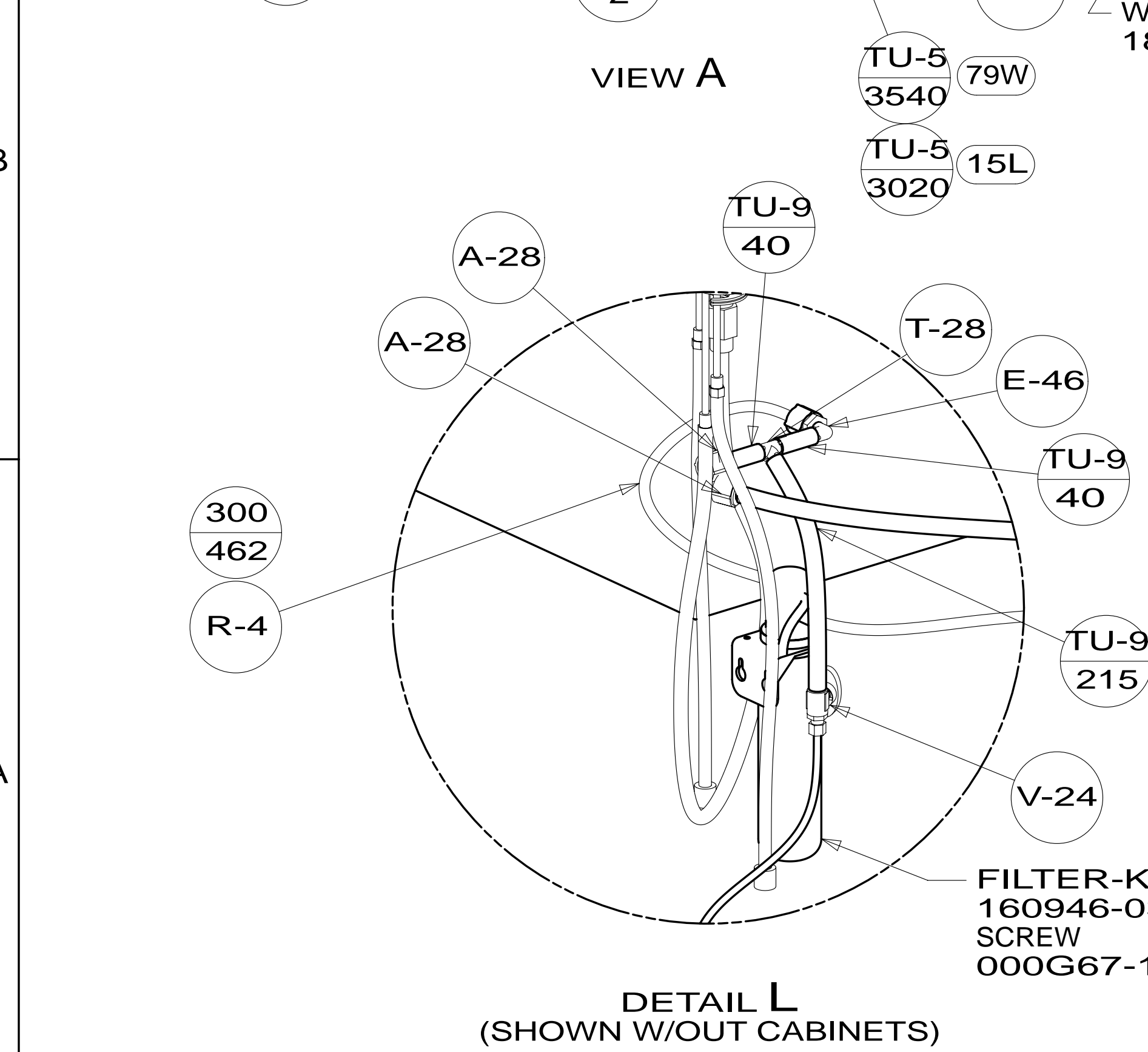
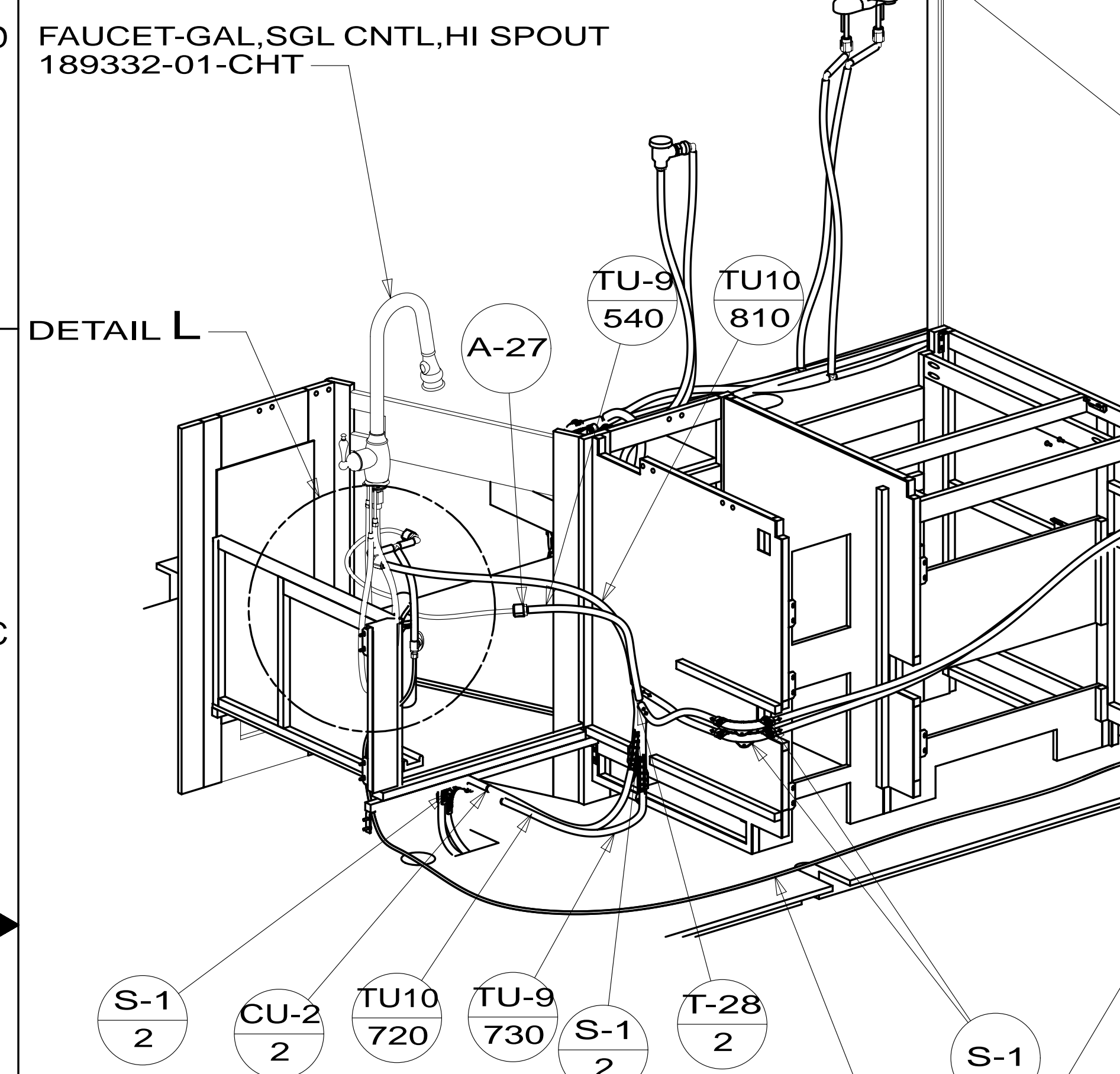
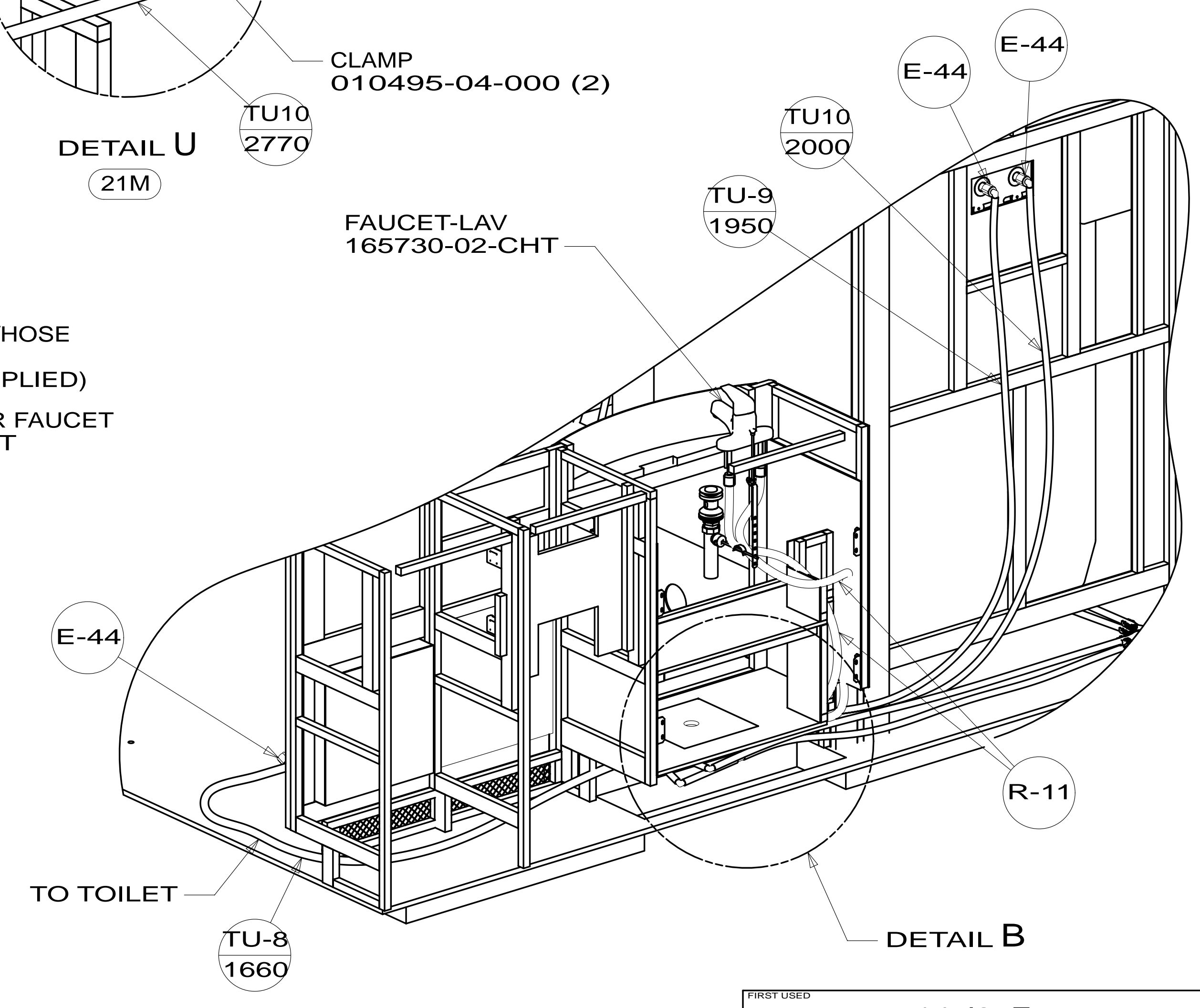
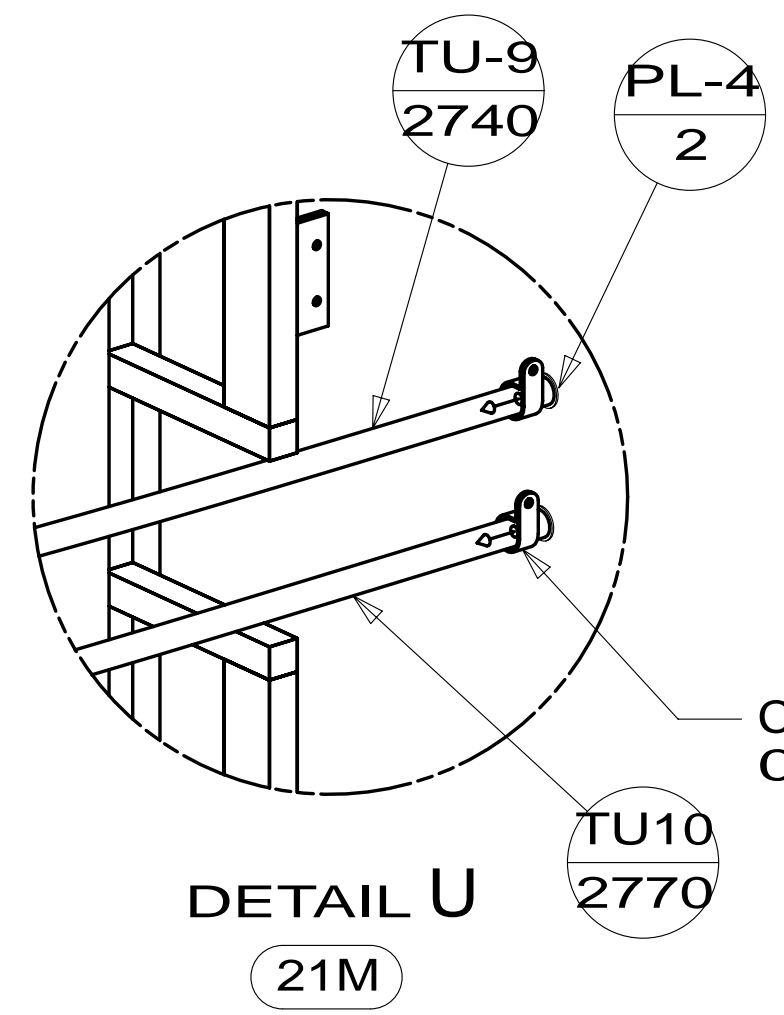
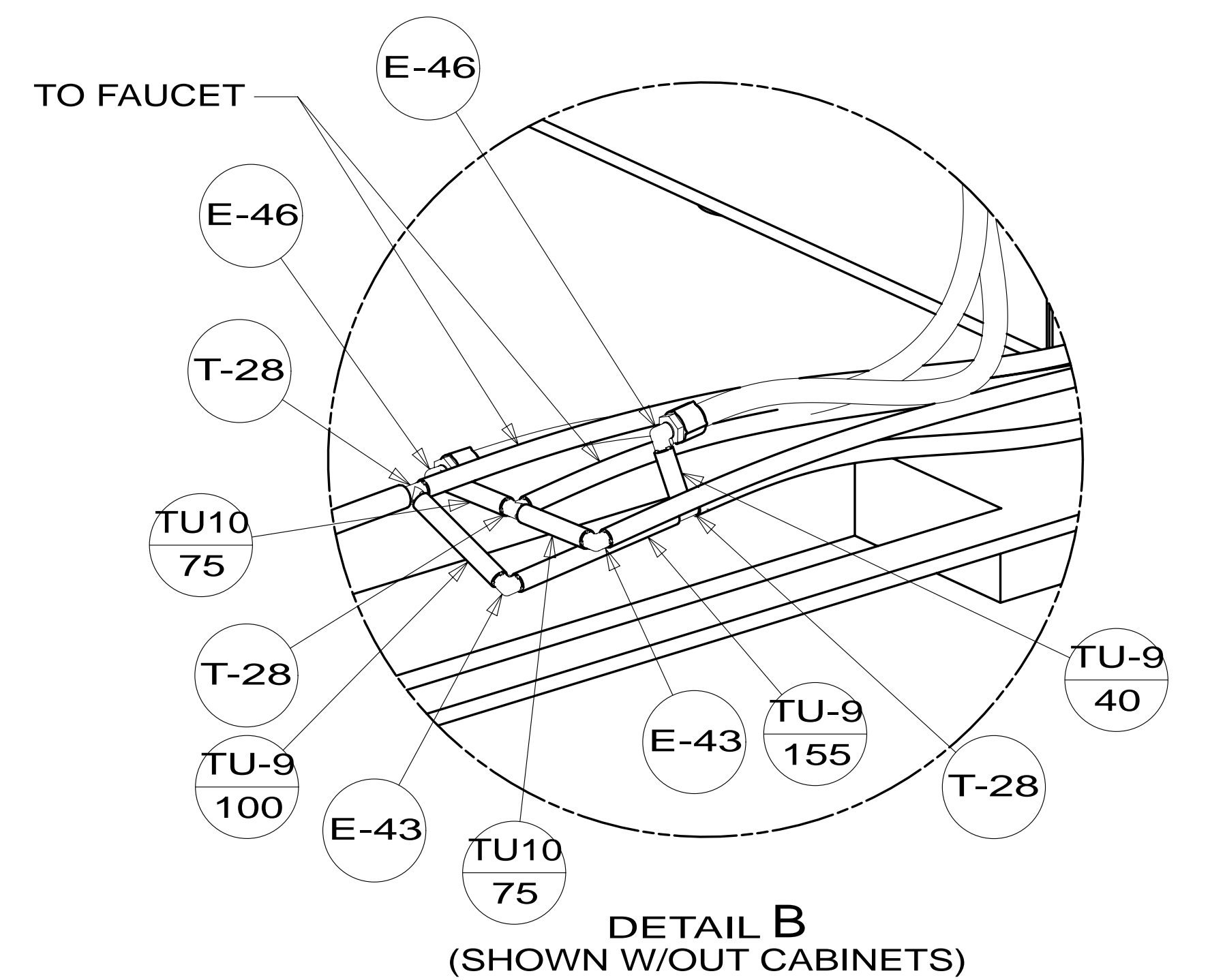
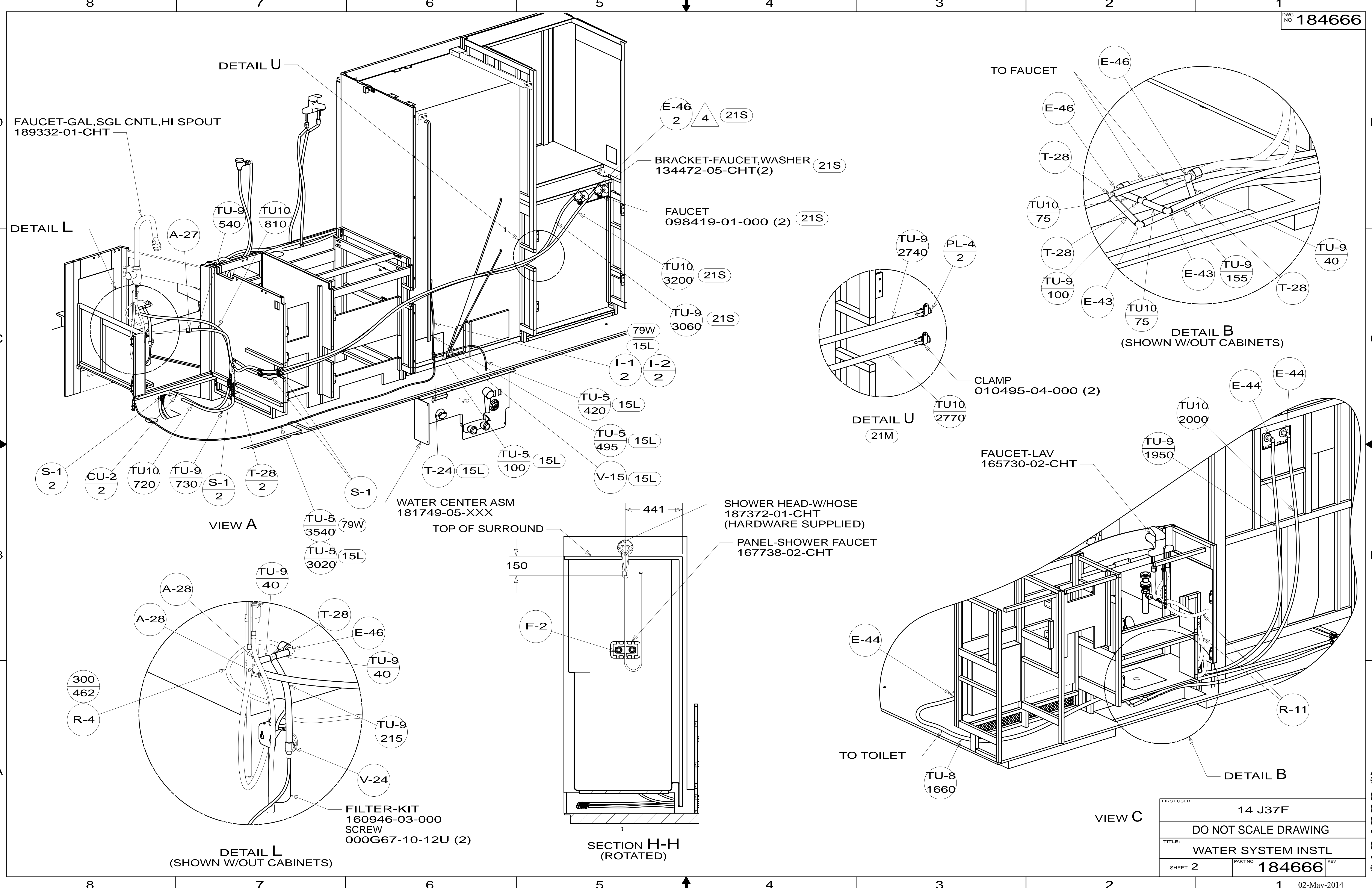
- NOTES:
9. ALL CRIMP FITTINGS TO 3/4" PEX TUBING REQUIRE 3/4" CLAMP 140171-05-000.
 8. ALL CRIMP FITTINGS TO 1/2" PEX TUBING REQUIRE 1/2" CLAMP 140171-03-000.
 7. ALL CRIMP FITTINGS TO 5/8" FLEX TUBING REQUIRE 5/8" CLAMP 140171-04-000.
 6. LABEL HOT AND COLD SUPPLY TUBES AND TAPE FITTING TO TUBE BEFORE CABINET SET TO PREVENT MOVEMENT.
 5. ADD PIPE WRAP (LADDER SCRAP 110157-02-000) INSULATION.
 4. ADD TEFLON TAPE 010405-02-000.
 3. ALL TUBING TO BE SECURED AT 1200 INTERVALS MAXIMUM WITH CLAMP 010495-01-000 AND SCREW 000G67-10-12U OR EQUIVALENT.
 2. TUBING TO BE INSTALLED WITH SUFFICIENT SLOPE TO PROVIDE DRAINAGE TO NEAREST VALVE.
 1. PLASTIC FITTINGS TO BE SEALED WITH SEALANT 084456-01-000.

		COPYRIGHT 2014 WINNEBAGO INDUSTRIES, INC.	
DTR	ORIG. DATE	ALL DIMENSIONS ARE IN MILLIMETERS	
CHKR			
P.E.			
M.E.	FIRST USED		
DSNR		14 J37F	
UNSPECIFIED TOLERANCES ARE: WHOLE DIM (X) : 3 ONE-PLACE (X.X) : 1.5 TWO-PLACE (X.XX) : 0.50 ANGLE : 1°		MATERIAL:	
THIRD ANGLE PROJECTION			
DO NOT SCALE DRAWING		REFER TO ES0018 FOR FASTENER TIGHTENING GUIDELINES	
TITLE: WATER SYSTEM INSTL			
SHEET 1 OF 4		PART NO 184666 REV	
REF:		1 02-May-2014	

FOR
 WATER
 CALLOUTS
 SEE DWG NO
 116230-01-000

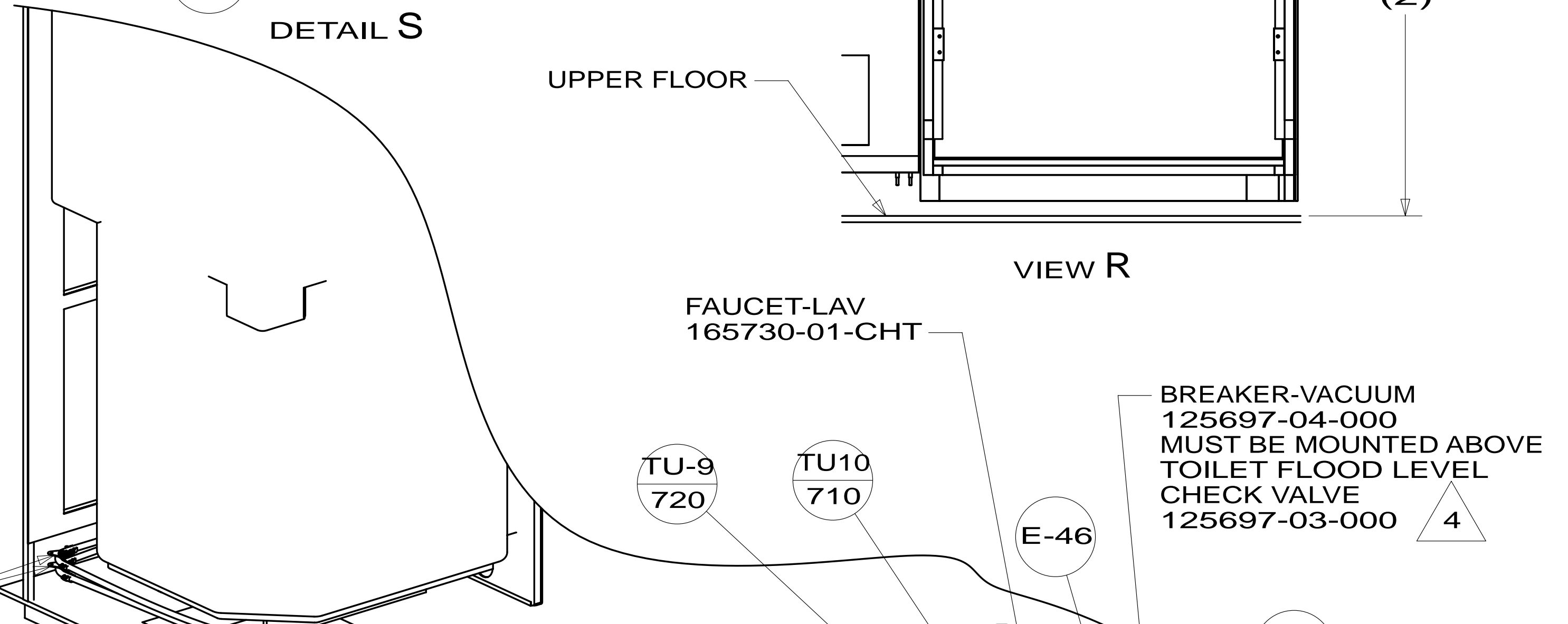
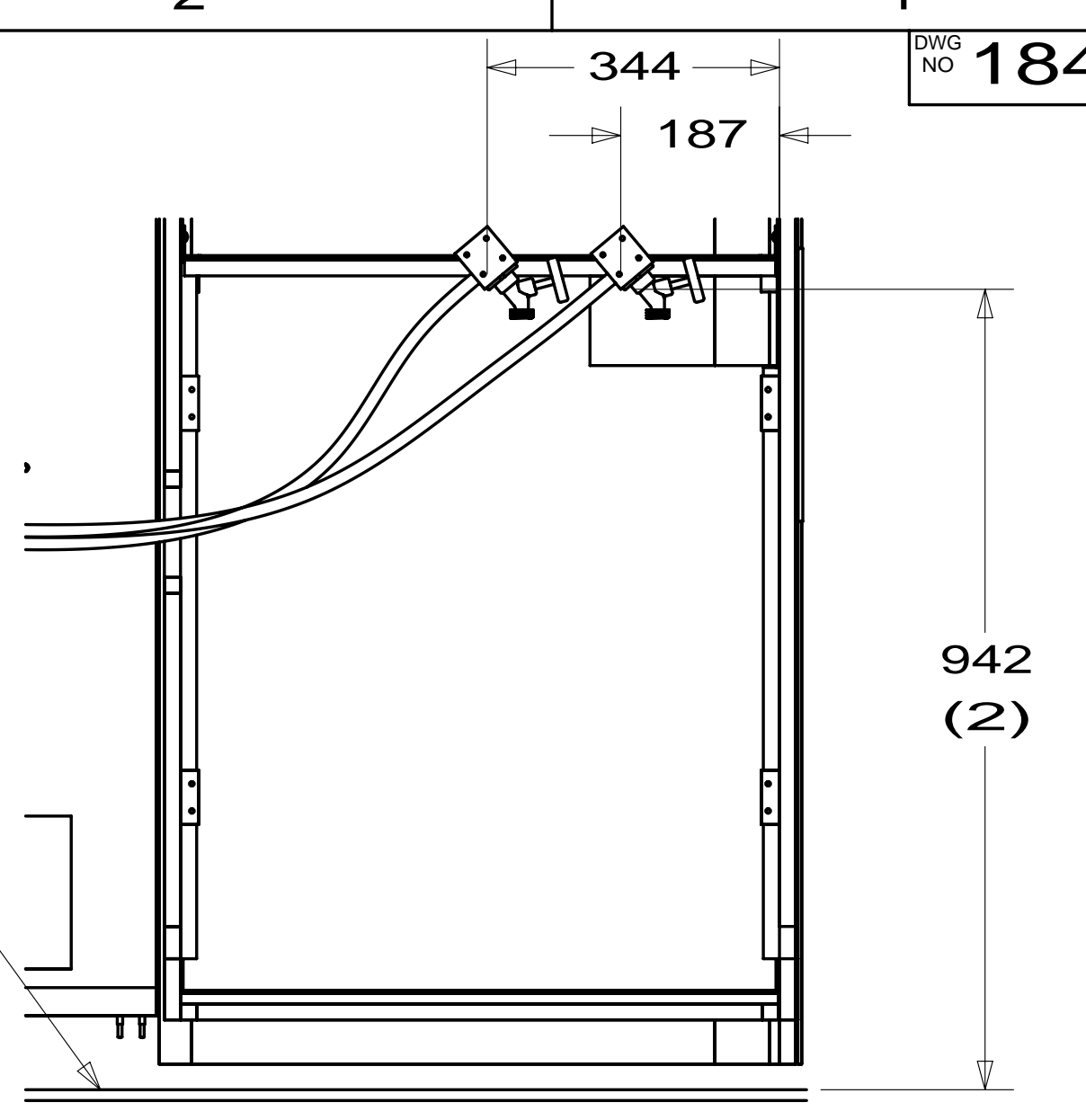
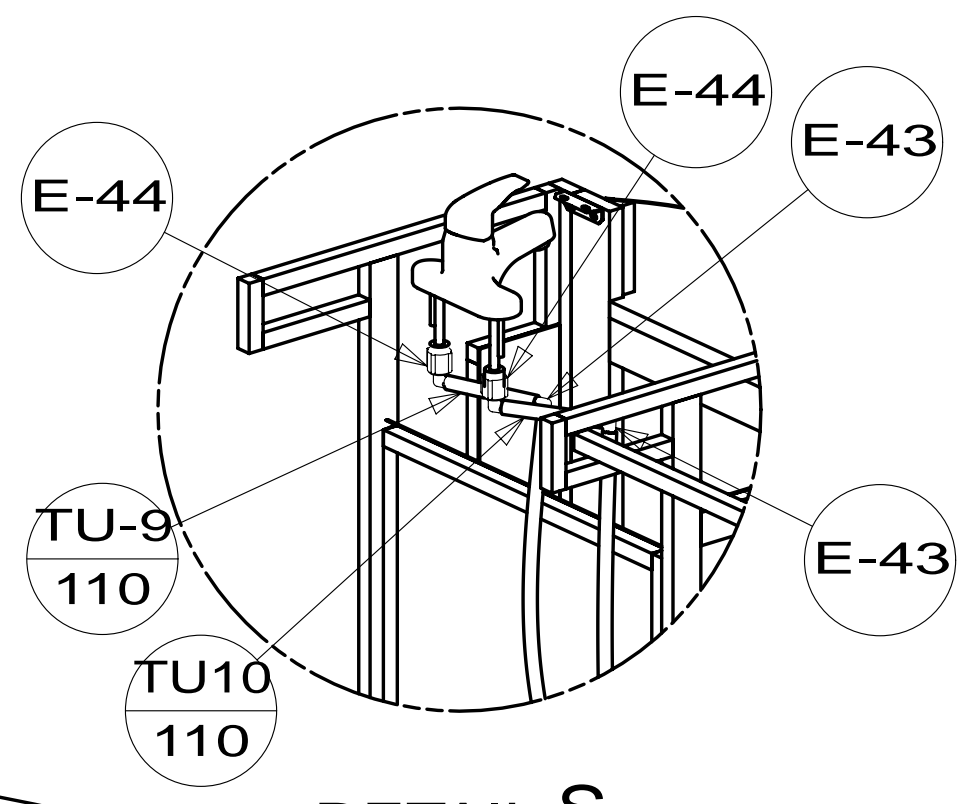
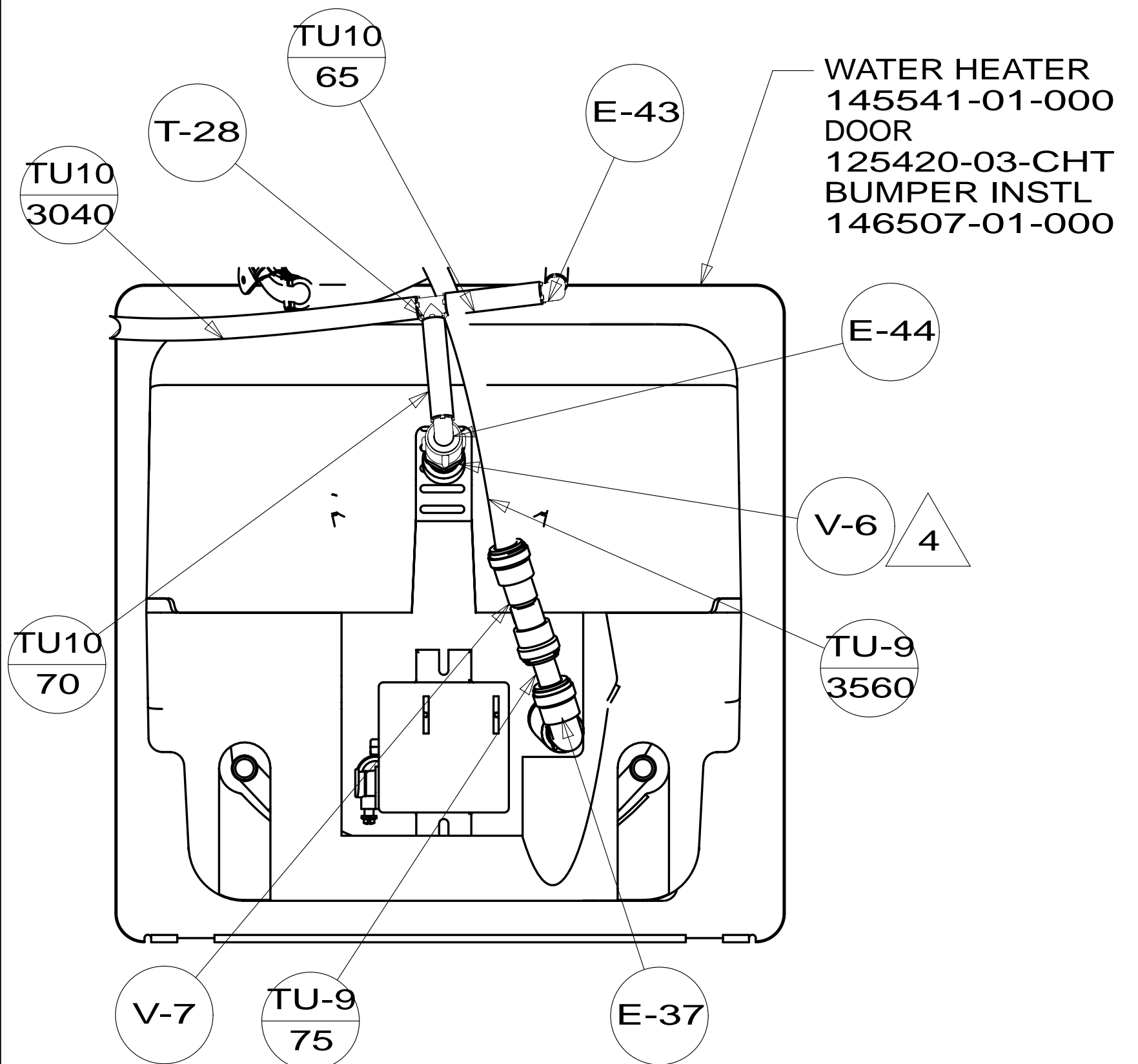


* 184666 *

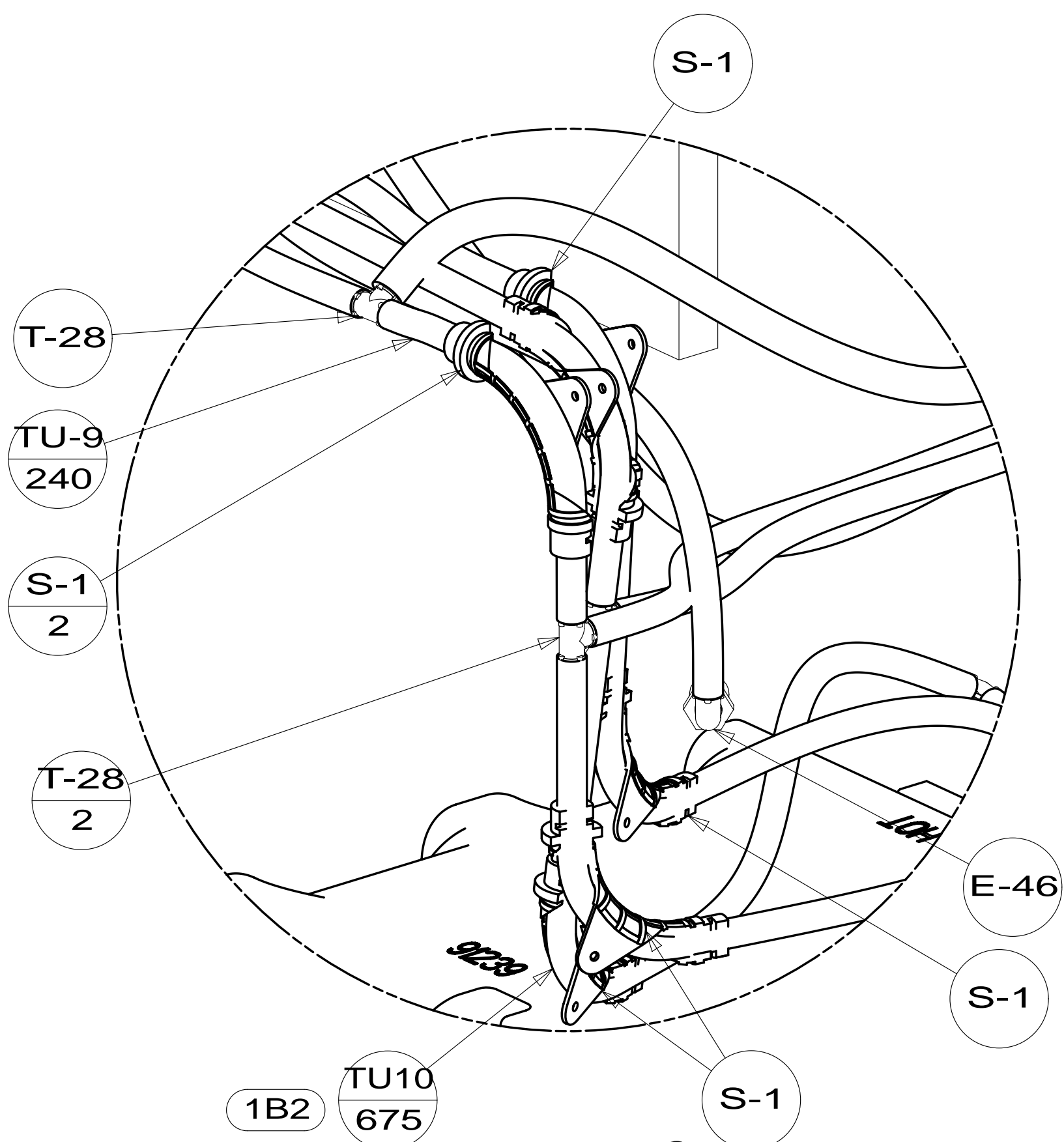
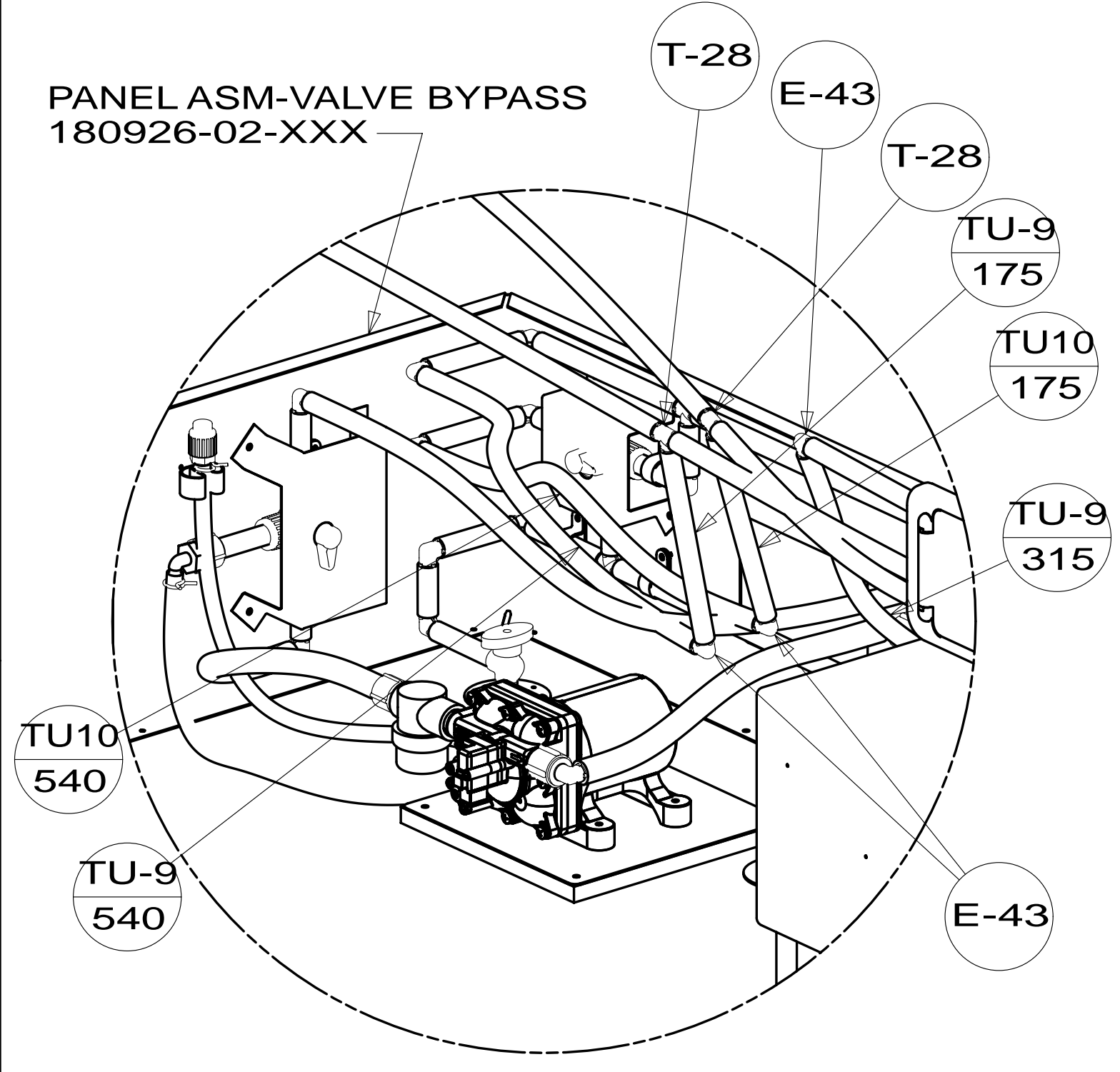


FIRST USED	14 J37F	
TITLE:	DO NOT SCALE DRAWING	
TITLE:	WATER SYSTEM INSTL	
SHEET 2	PART NO	184666
	REV	
		02-May-2014

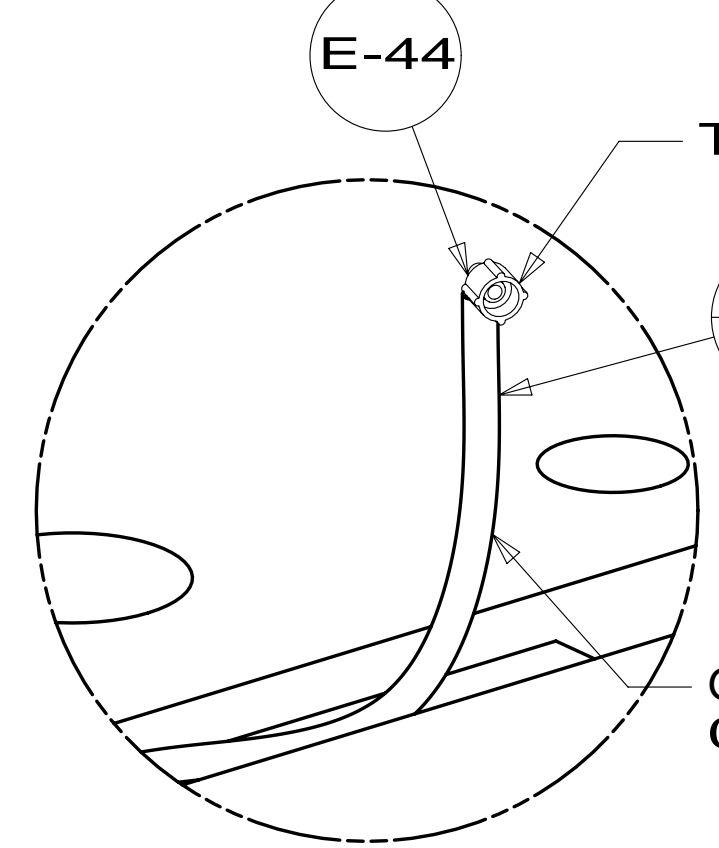
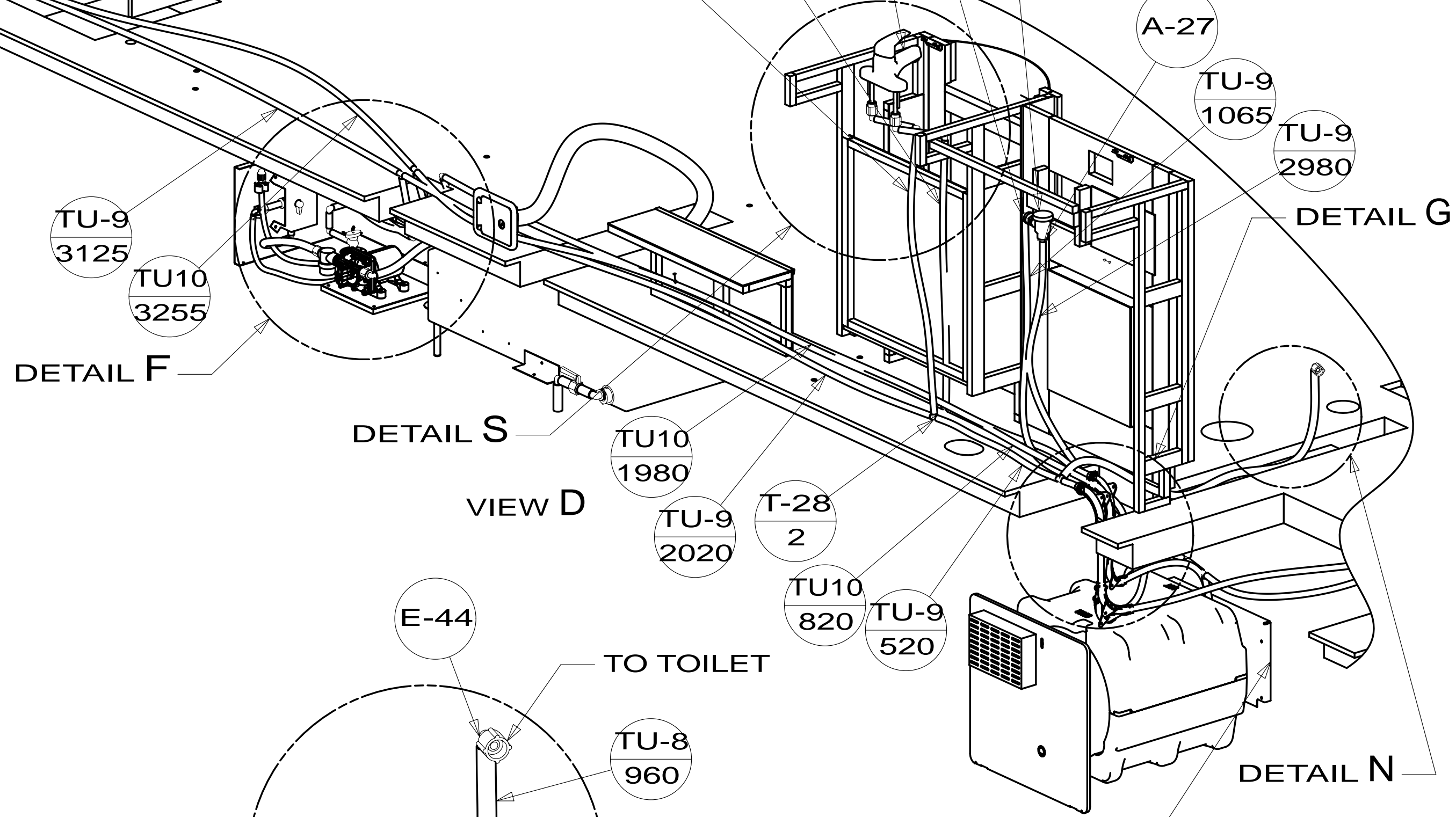
* 184666 * A



BREAKER-VACUUM
125697-04-000
MUST BE MOUNTED ABOVE
TOILET FLOOD LEVEL
CHECK VALVE
125697-03-000 4

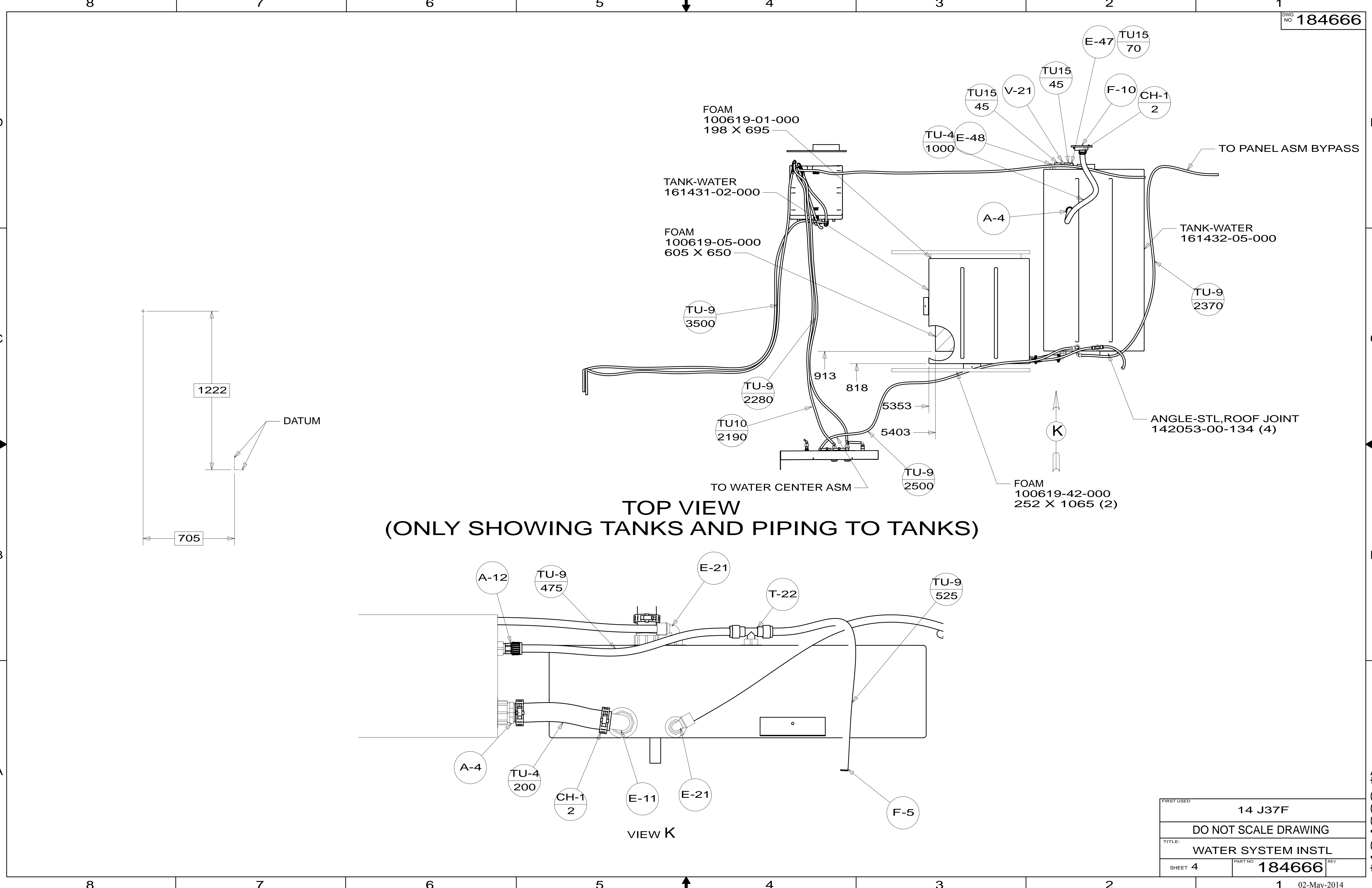


DETAIL G
(SHOWN W/OUT FLOOR & CABINETS)

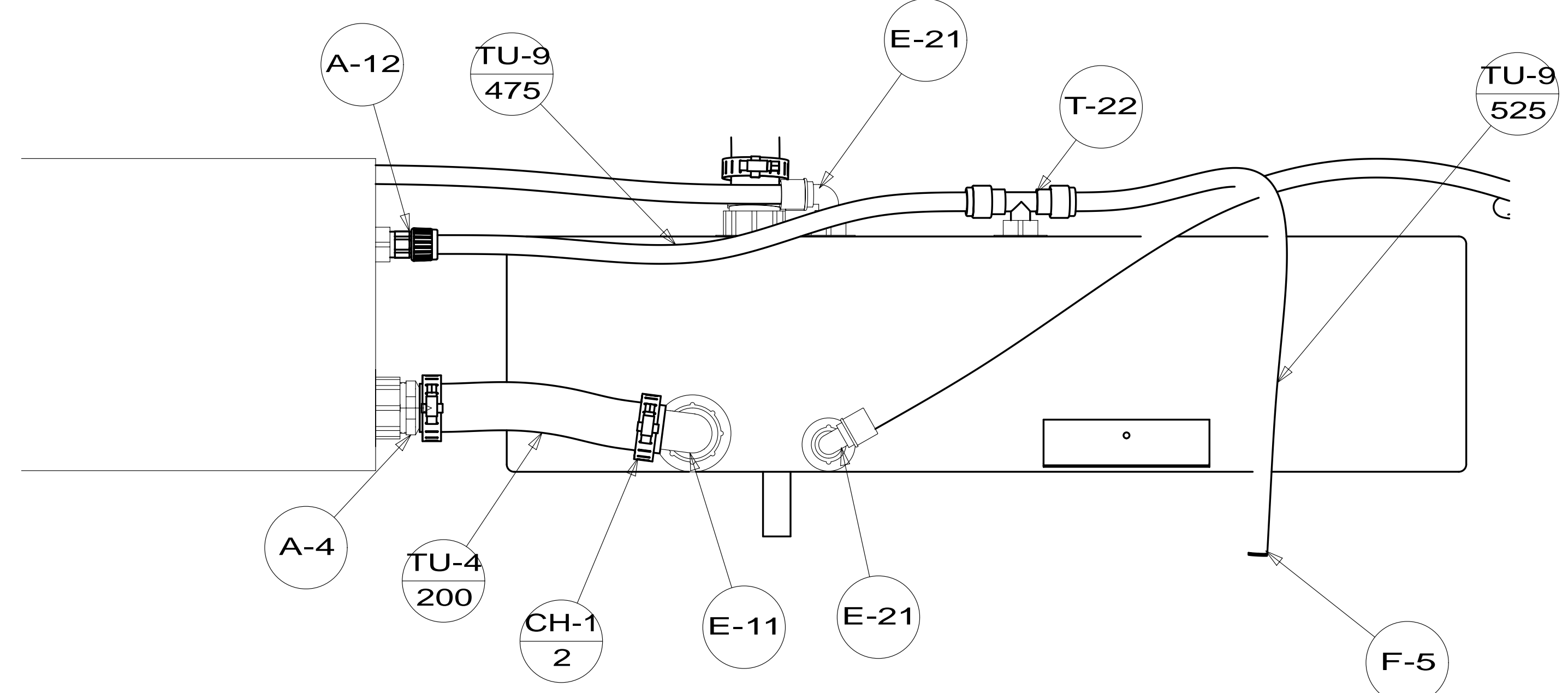


FIRST USED	14 J37F	
TITLE:	DO NOT SCALE DRAWING	
SHEET 3	PART NO	184666
	REV	1
02-May-2014		

* 184666 * A



TOP VIEW
(ONLY SHOWING TANKS AND PIPING TO TANKS)



VIEW K

FIRST USED	14 J37F	
TITLE:	DO NOT SCALE DRAWING	
SHEET 4	PART NO	184666
	REV	1
		02-May-2014

* 184666 * A