

- NOTES:
1. SLOPE OF HORIZONTAL PIPING TO BE MINIMUM OF 3 PER 305 mm.
 2. SLOPE OF TRAP ARM MUST BE 6 PER 305 mm.
 3. ALL PIPE AND FITTINGS TO BE ASSEMBLED WITH SOLVENT 004020-01-000 (USA), 004020-02-000 (CAN)
 4. USE SMOOTH PLUMBERS PUTTY 167459-01-000 TO SEAL STRAINER (0.2 PER STRAINER).
 5. SEAL AROUND SHOWER WITH SILICONE.
 6. VENT PIPE MUST PROJECT 51 MIN AND 64 MAX ABOVE ROOF FOR PROPER FIT AND FUNCTION. ADD S-1 (116666-01-CHT SEAL-VENT PIPE) AROUND PIPE ON ROOF BEFORE VENT CAP IS INSTALLED.
 7. SECURE VENT PIPE TO TANK WITH CLAMP 062401-02-000.
 8. SECURE DRAINAGE PIPES TO CABINET USING WIRE TIE 108046-02-000, AND SCREW 000G67-10-12U AT INTERVALS OF NOT MORE THAN 4 FEET APART.
 9. SEE DRAWING 061607 FOR INSTALLATION OF GROMMETS.
 10. APPLY PRIMER 126427-02-000 AND CEMENT 126427-01-000 BETWEEN ELBOW AND FLEX PIPE.
 11. GLUE FITTING AFTER CABINET IS INSTALLED.

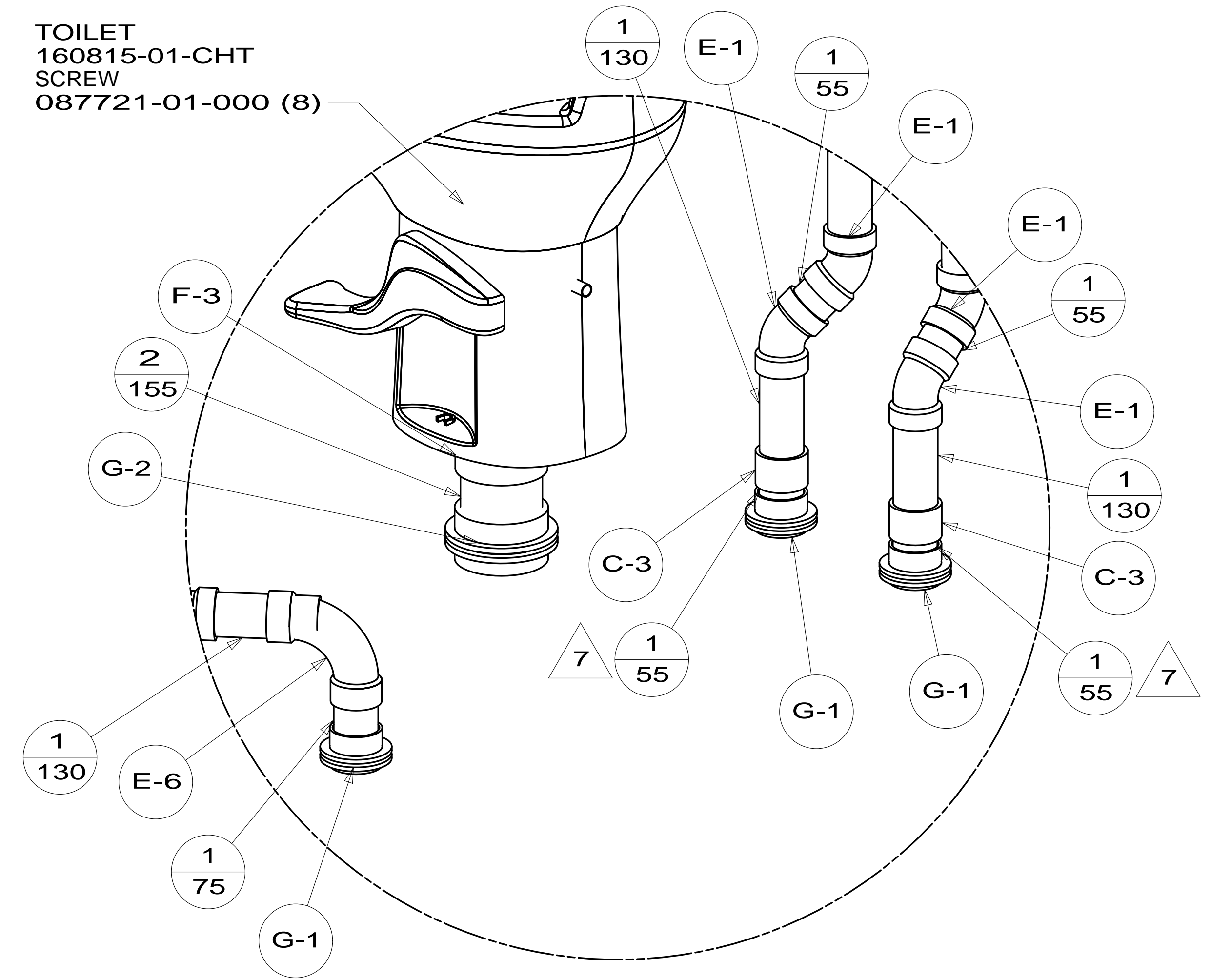
- 21S WASHER & DRYER-PAIR
- 21M WASHER/DRYER PREP
- 1B1 CODES/STANDARDS USA
- 265 CODES/STANDARDS-CSA/CMVSS

		COPYRIGHT 2013 WINNEBAGO INDUSTRIES, INC.
DTR	ORIG. DATE	
CHKR	ALL DIMENSIONS ARE IN MILLIMETERS	
P.E.		
M.E.	FIRST USED	
DSNR	14 J35P	
UNSPECIFIED TOLERANCES ARE:		MATERIAL:
WHOLE DIM (X)	: 3	
ONE-PLACE (X.X)	: 1.5	
TWO-PLACE (X.XX)	: 0.50	
ANGLE	: 1°	
THIRD ANGLE PROJECTION		
DO NOT SCALE DRAWING		REFER TO ES0018 FOR FASTENER TIGHTENING GUIDELINES
TITLE: DRAINAGE SYSTEM INSTL		
SHEET 1 OF 4	PART NO 184105	REV
REF:	1	07-Nov-2013

FOR DRAINAGE CALLOUTS SEE DWG NO 116229-01-000

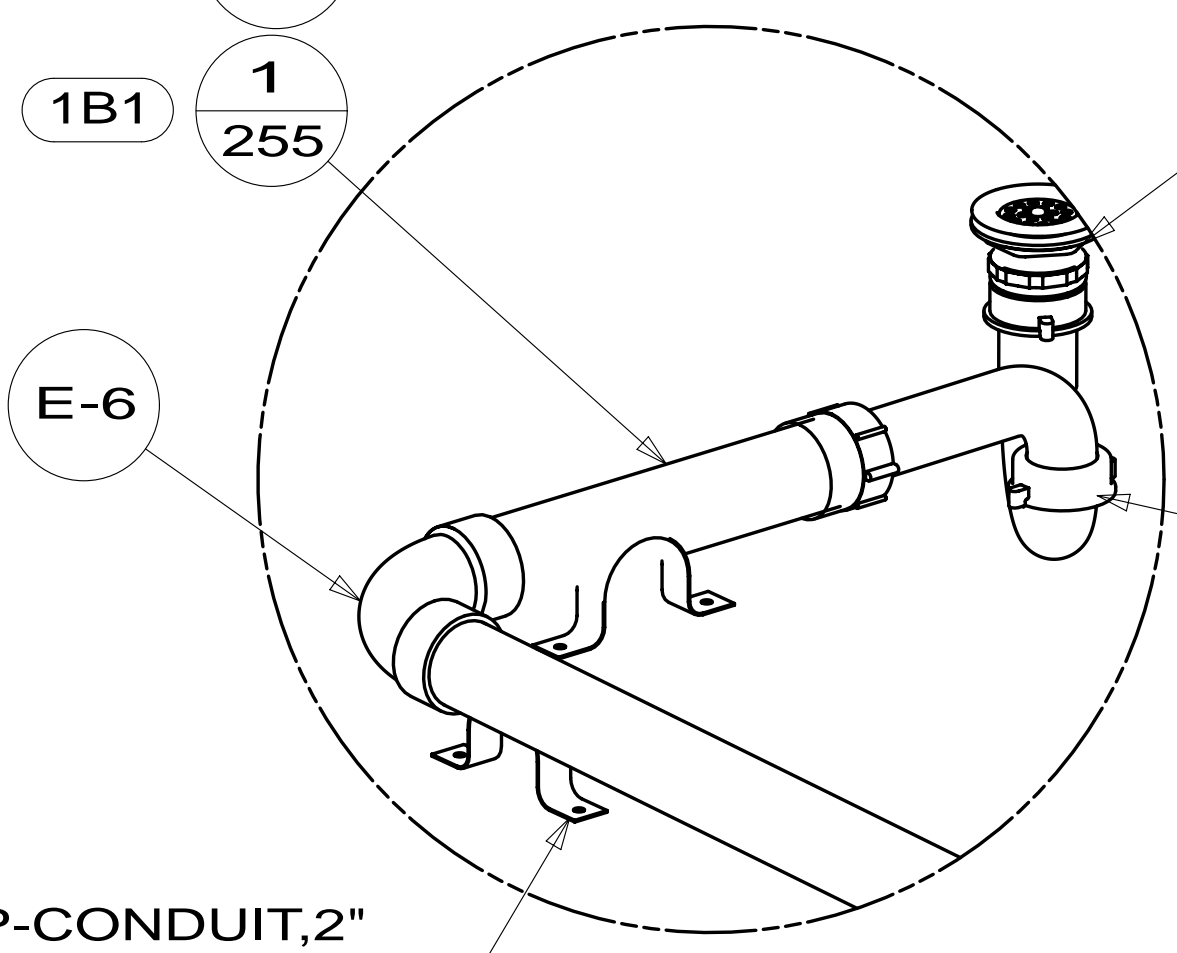
* 184105 * A

TOILET
160815-01-CHT
SCREW
087721-01-000 (8)



DETAIL B
(SHOWN W/OUT FLOOR & CABINETS)

SHOWER INSTL
166788-13-000
STRAINER
066440-01-000
WASHER-RUBBER
127440-02-CHT
TAILPIECE
011069-02-000
NUT
130403-02-000



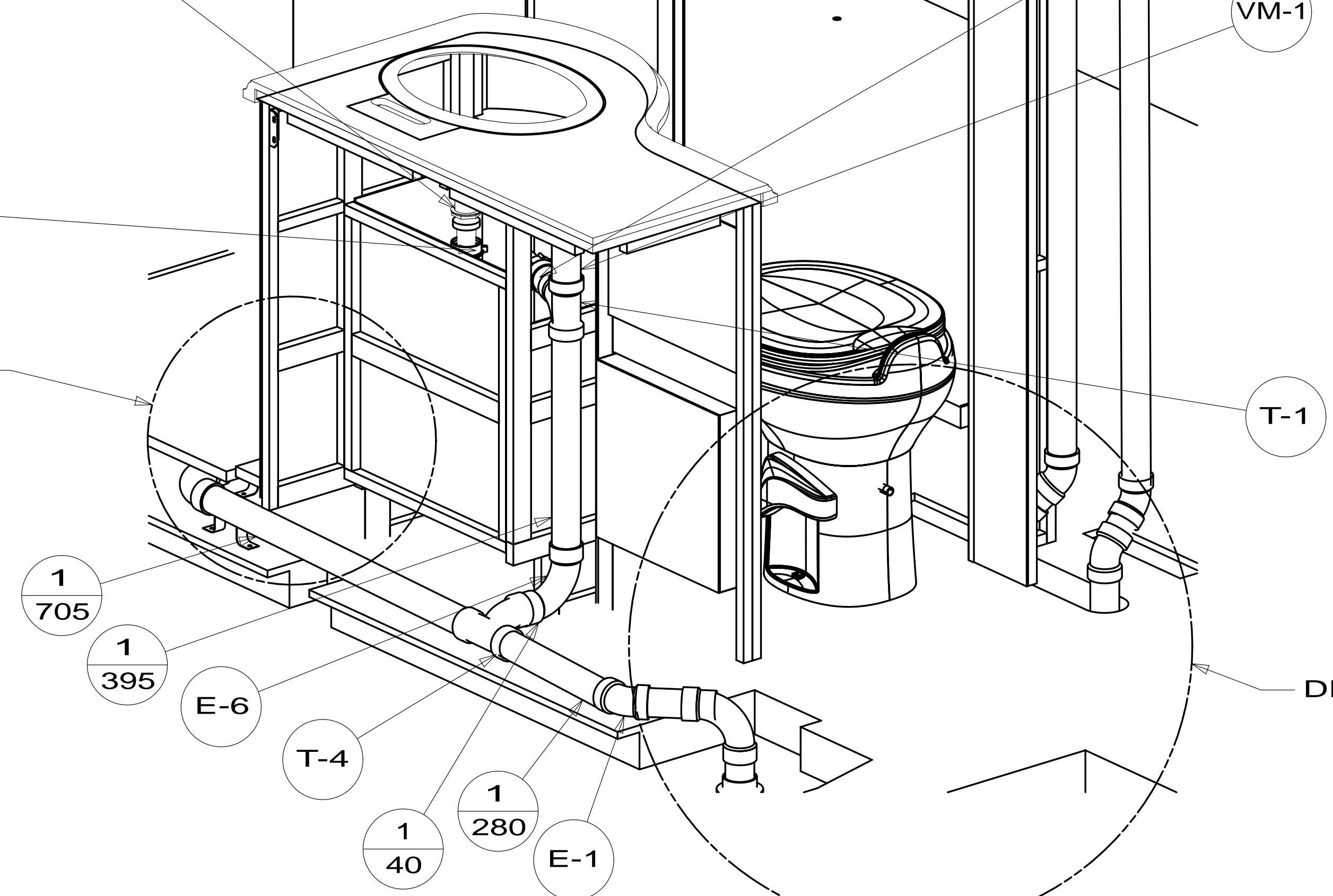
DETAIL C
(SHOWN W/OUT FLOOR & CABINETS)

STRAP-CONDUIT, 2"
008406-01-000 (2)

WASTE ASM-LAV, POPUP, VESSEL
176640-03-CHT

- 1B1 P-1
- 265 P-3
- 1B1 A-15

DETAIL C



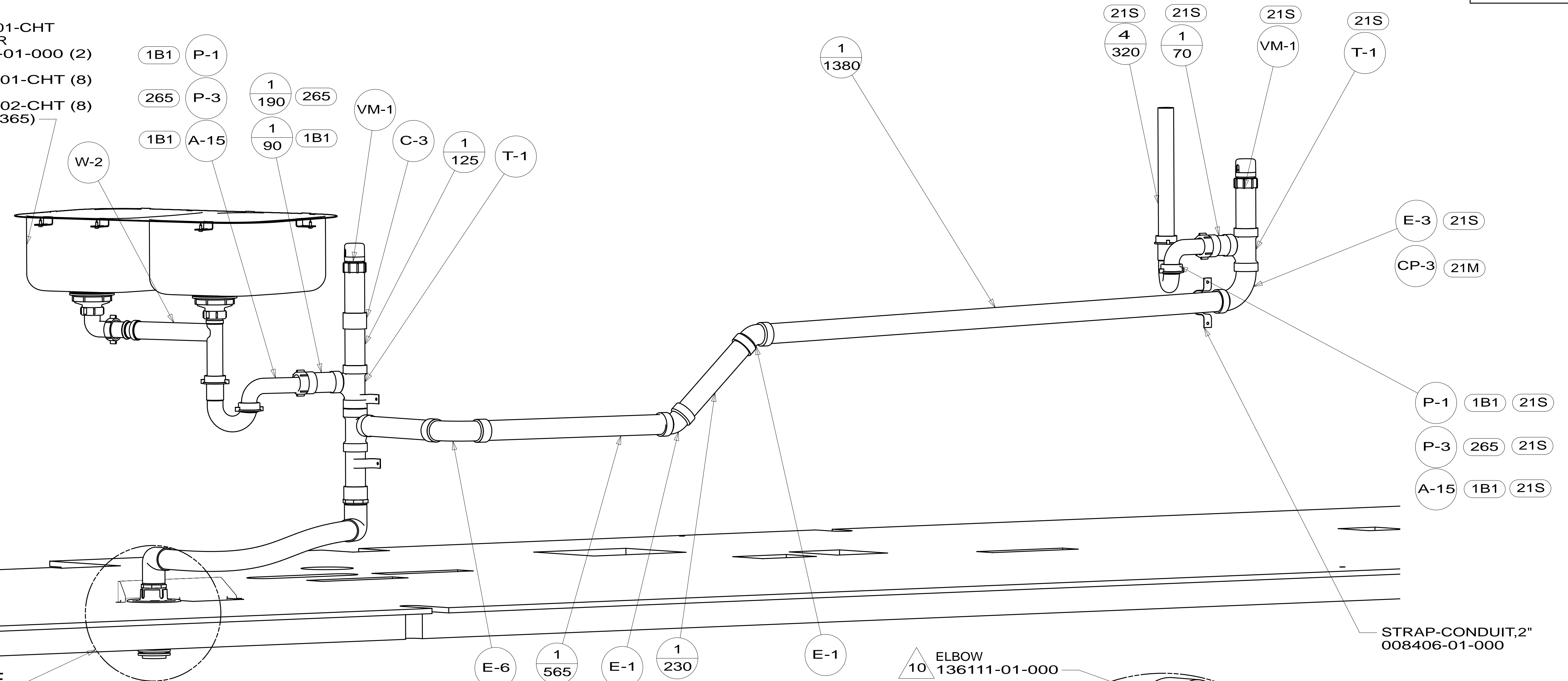
VIEW A

DETAIL B

FIRST USED	14 J35P	
TITLE:	DO NOT SCALE DRAWING	
SHEET 2	PART NO	184105
	REV	07-Nov-2013

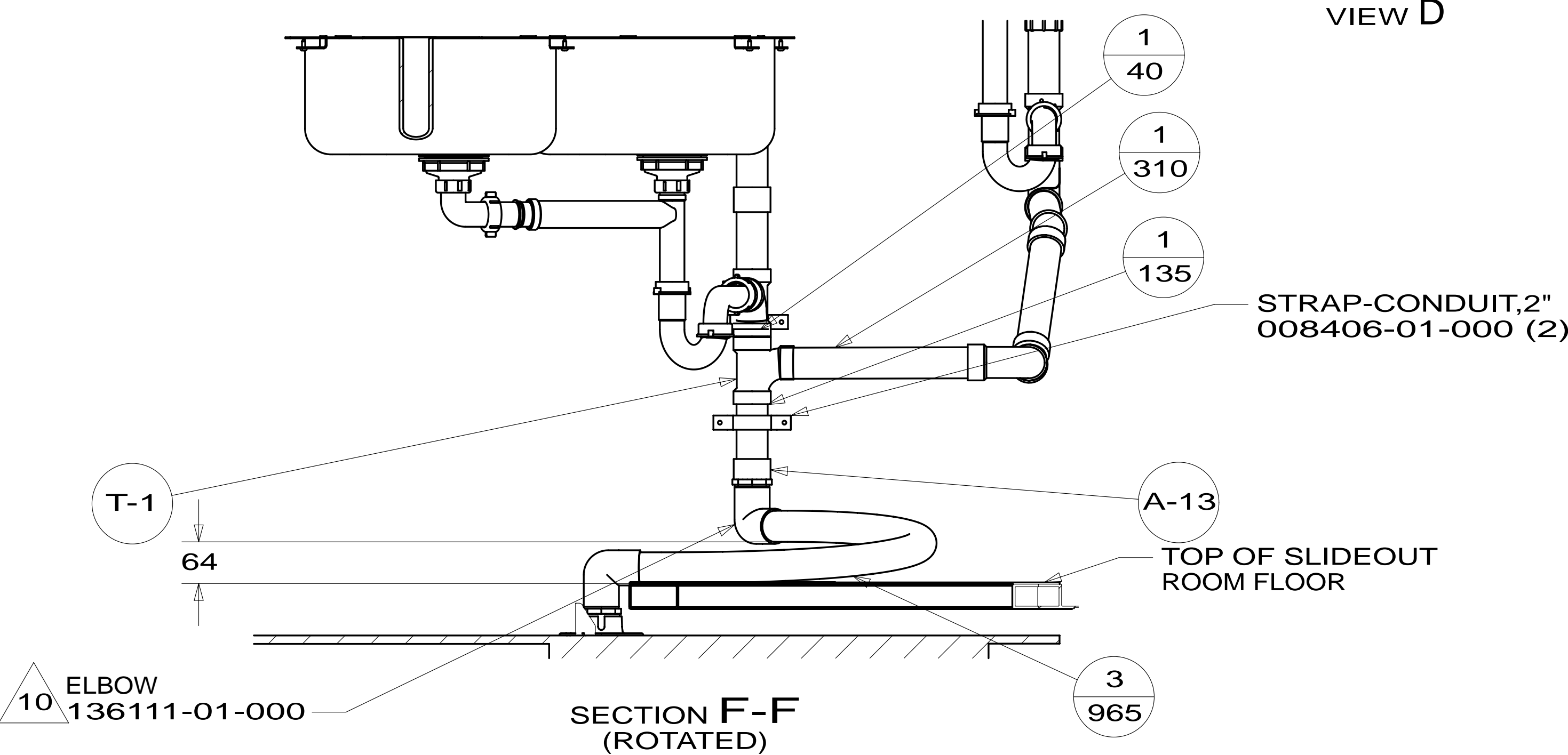
* 184105 * A

SINK
173783-01-CHT
STRAINER
092303-01-000 (2)
BRACKET
140002-01-CHT (8)
SCREW
142261-02-CHT (8)
SEAL (2365)



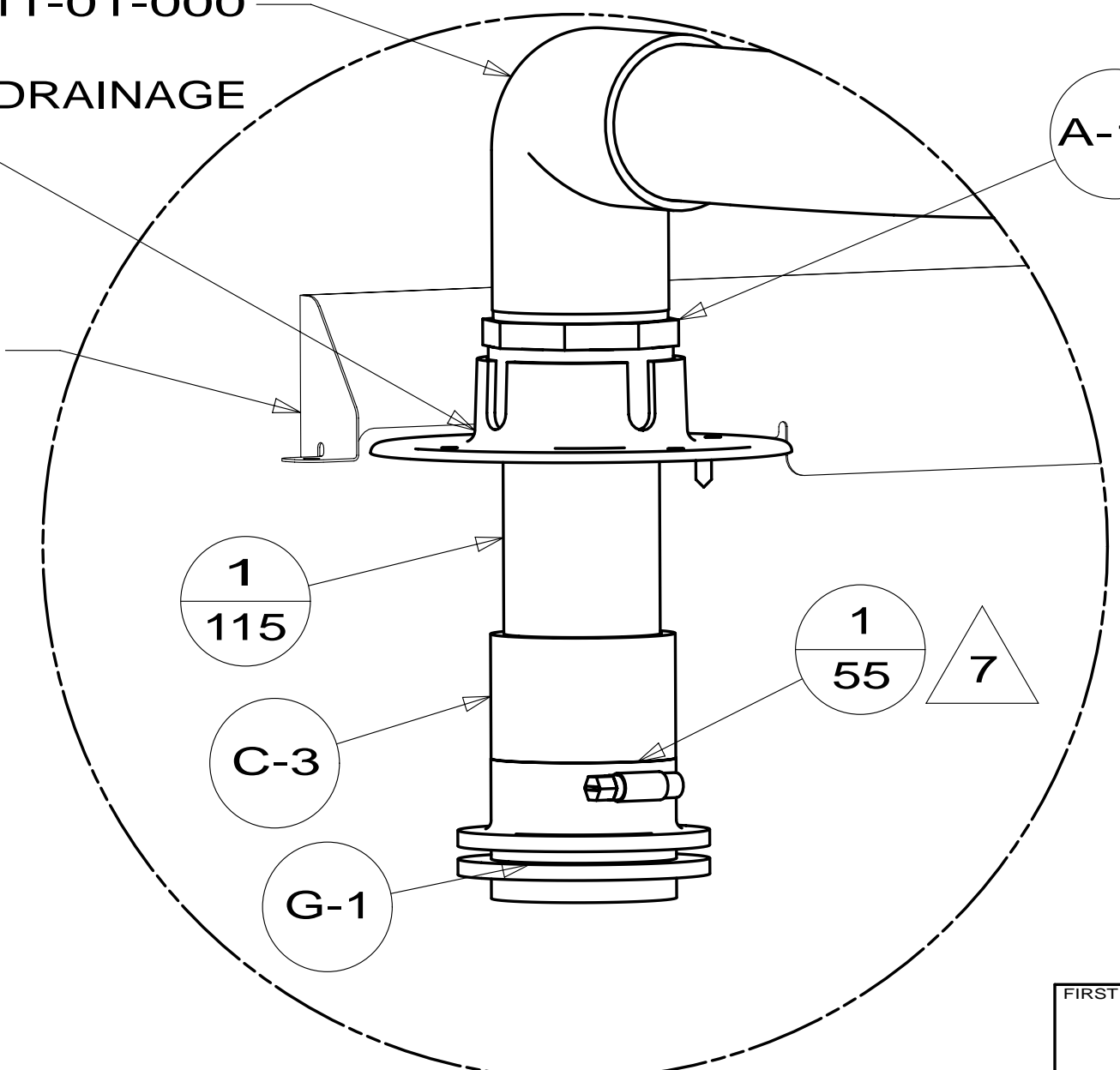
VIEW D

DETAIL E



SECTION F-F
(ROTATED)

FITTING-BULKHEAD, DRAINAGE
136656-01-CHT
BRACKET-SHIELD
187993-01-CHT
SCREW
000G67-10-10U (3)



DETAIL E
(SHOWN W/OUT FLOOR & CABINETS)

FIRST USED	14 J35P
DO NOT SCALE DRAWING	
TITLE: DRAINAGE SYSTEM INSTL	
SHEET 3	PART NO 184105
REV 07-Nov-2013	

* 184105 * A

8

7

6

5

4

3

2

1

D

D

C

C

B

B

A

A

* 184105 * A

BRACKET-TANK,HOLDING
162818-02-CHT
BOLT
000C12-08-32U(2)

FOAM
100619-05-000
200 X 600

TANK-HOLDING
167852-02-CHT

TANK-HOLDING
161396-03-CHT

FOAM
100619-05-000
200 X 600

FOAM
100619-04-000
100 X 200

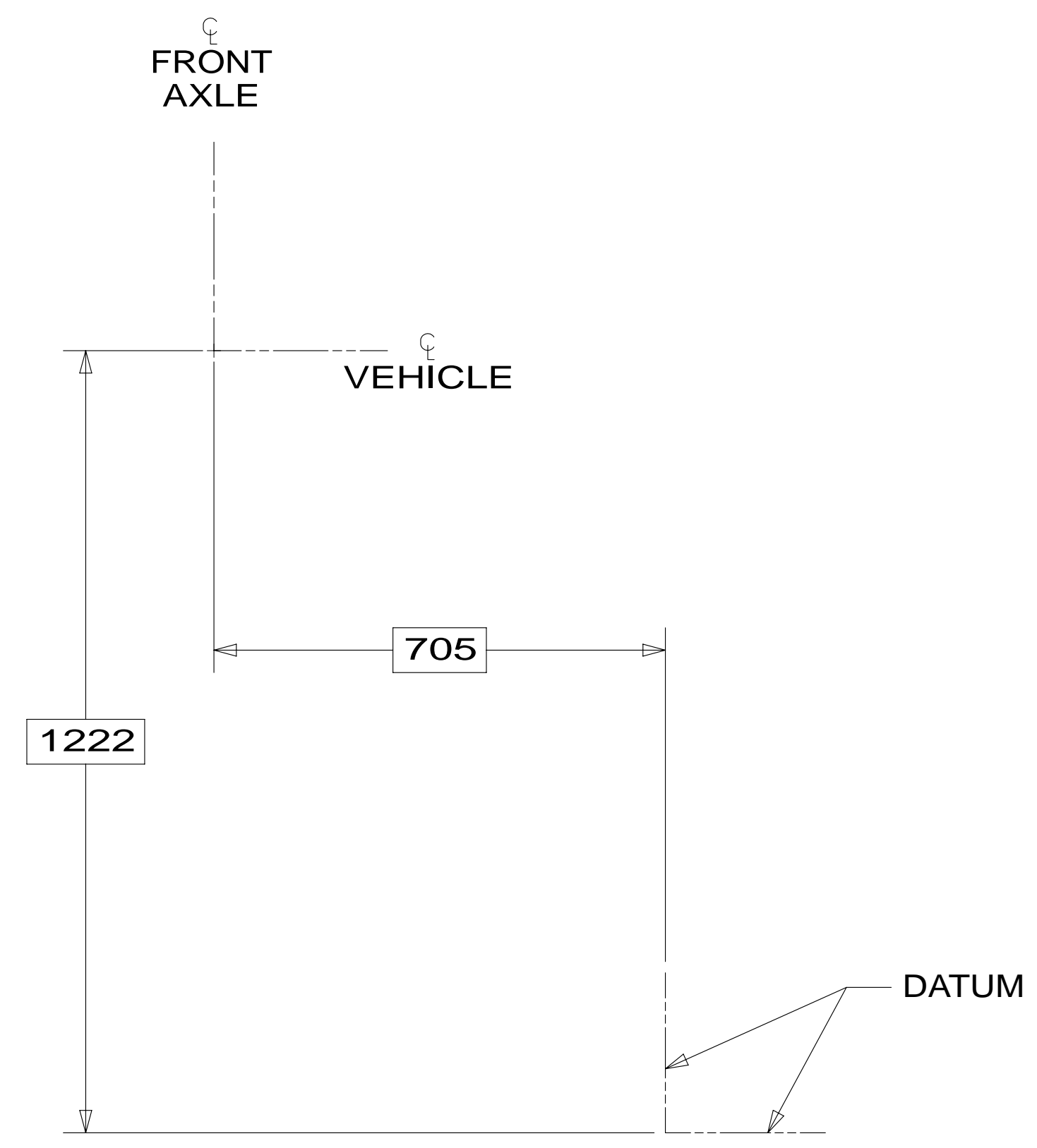
PLATFORM-HOLDING TANK
126714-08-000

CLAMP
141443-01-CHT

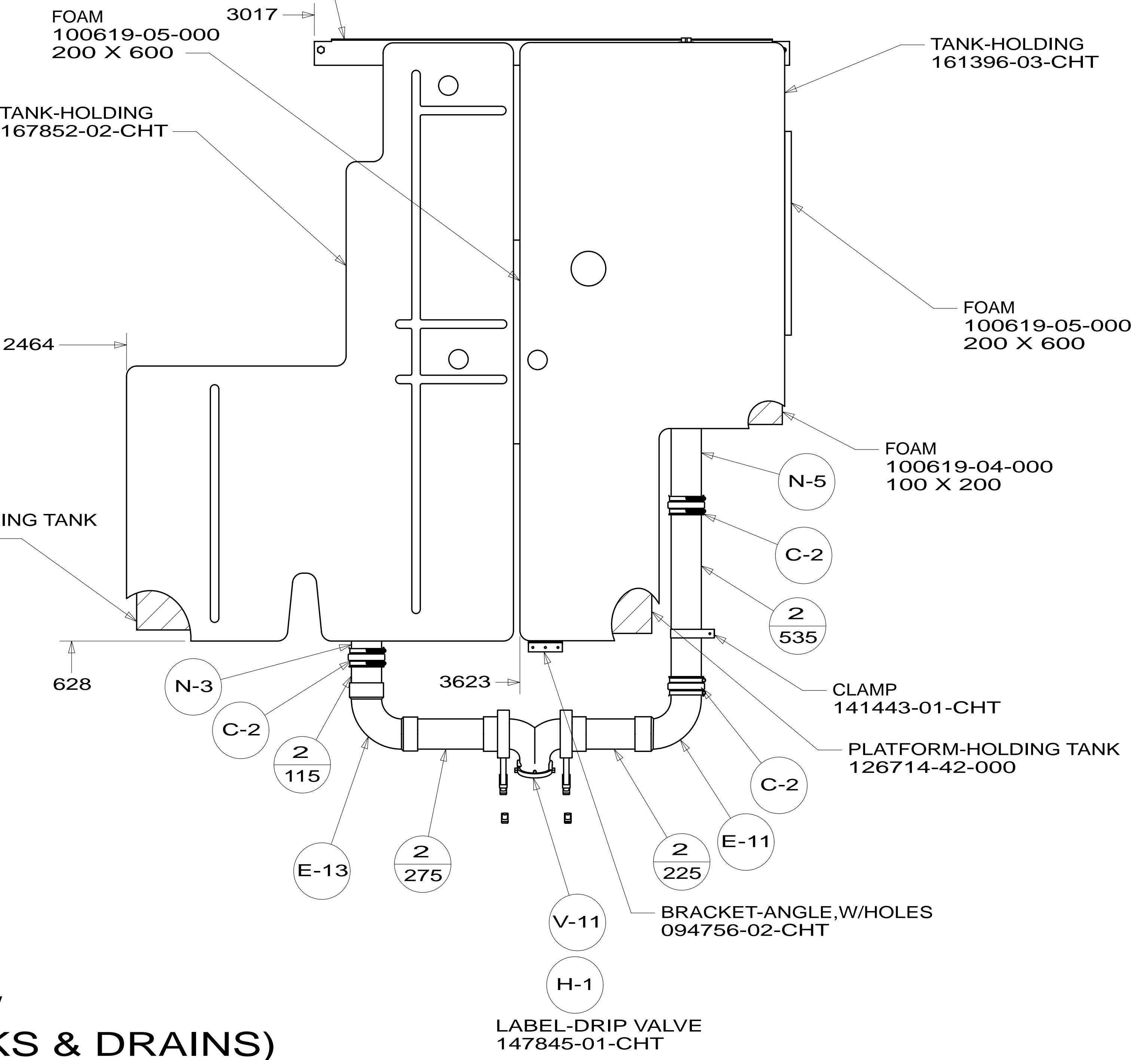
PLATFORM-HOLDING TANK
126714-42-000

BRACKET-ANGLE,W/HOLES
094756-02-CHT

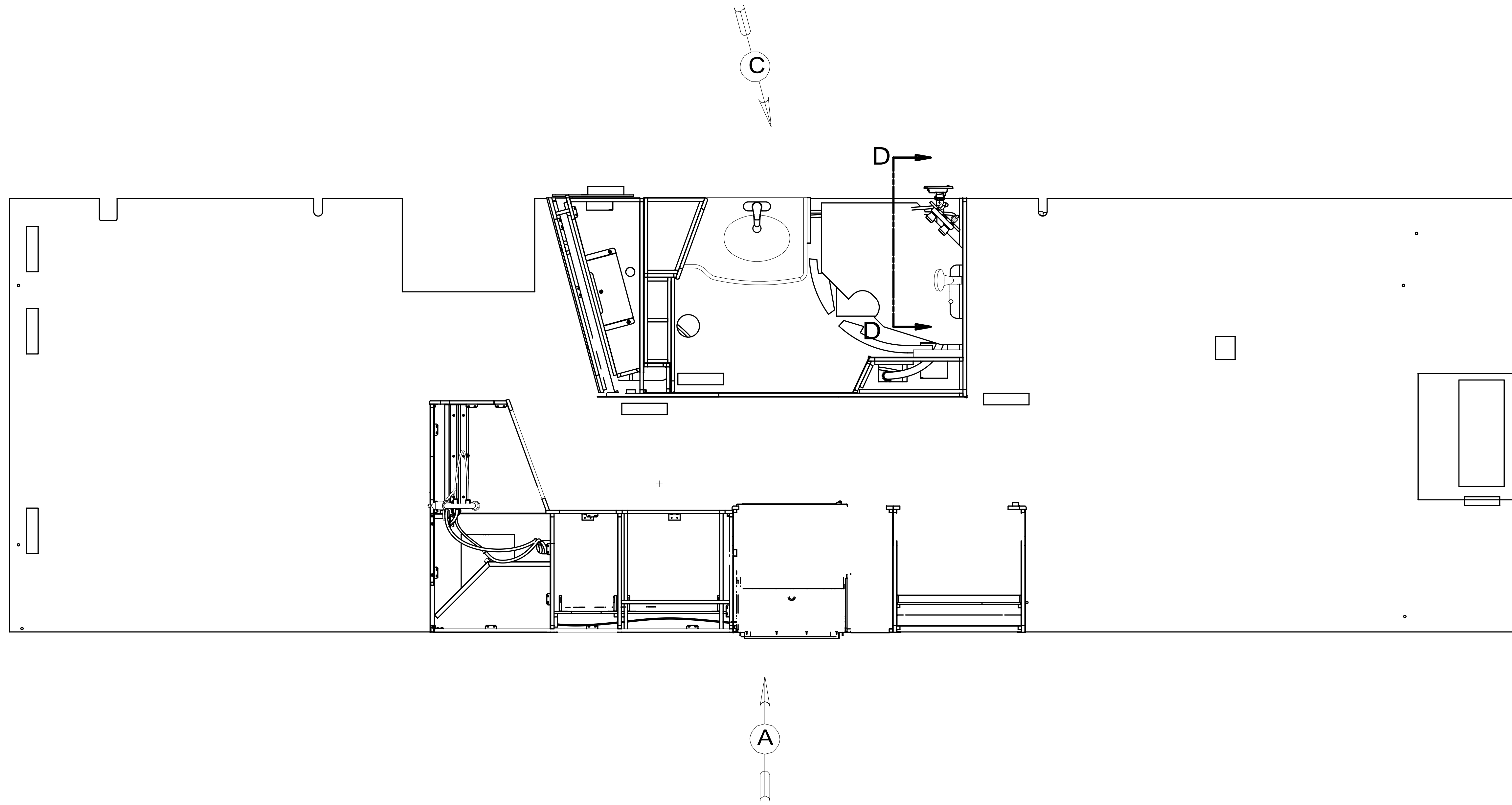
LABEL-DRIP VALVE
147845-01-CHT



TOP VIEW (SHOWING ONLY TANKS & DRAINS)



FIRST USED	14 J35P	
TITLE:	DO NOT SCALE DRAWING	
TITLE:	DRAINAGE SYSTEM INSTL	
SHEET 4	PART NO 184105	REV
	1	07-Nov-2013



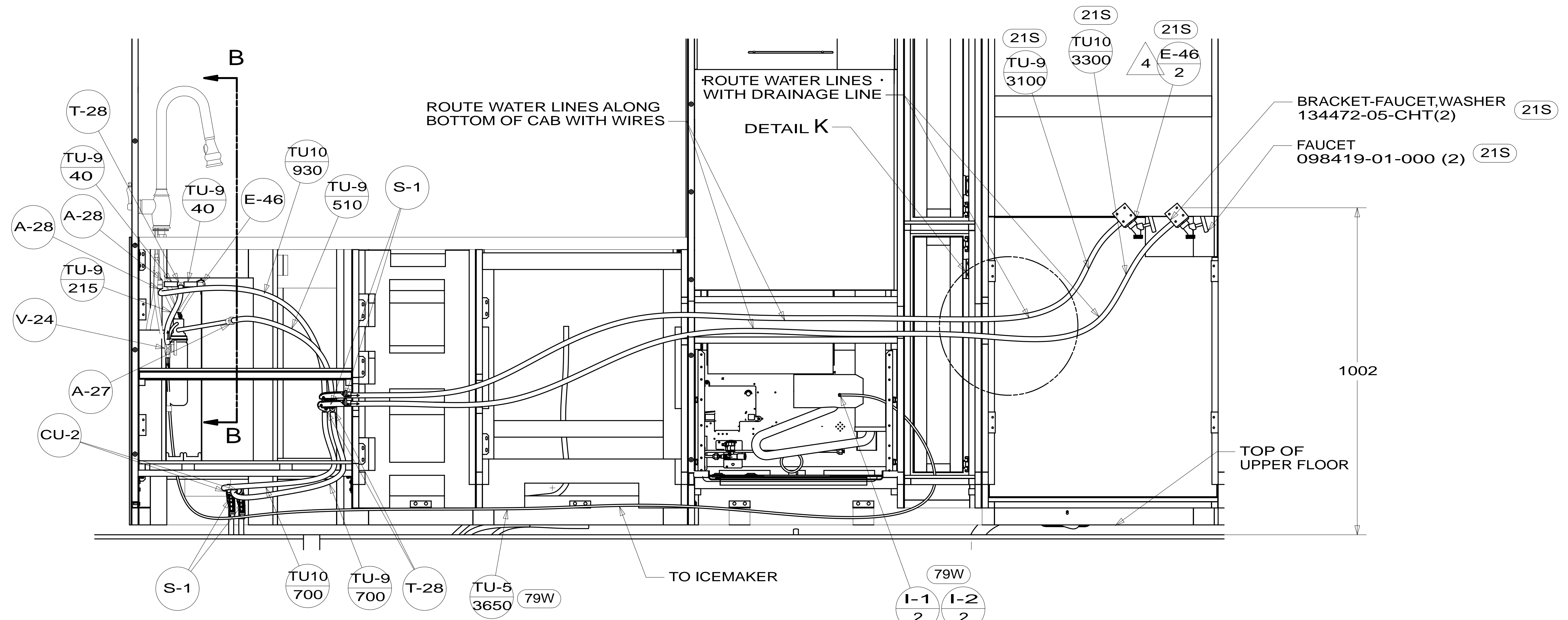
- (21M) WASHER/DRYER PREP
- (21S) WASHER & DRYER-PAIR
- (144) REFRIGERATOR-DOUBLE DOOR
- (79W) REFRIGERATOR-4 DOOR

8. ALL CRIMP FITTINGS TO 1/2" PEX TUBING REQUIRE 1/2" CLAMP 140171-03-000.
7. ALL CRIMP FITTINGS TO 5/8" PEX TUBING REQUIRE 5/8" CLAMP 140171-04-000.
6. LABEL HOT AND COLD SUPPLY TUBES AND TAPE FITTING TO TUBE BEFORE CABINET SET TO PREVENT MOVEMENT.
5. ADD PIPE WRAP (LADDER SCRAP 110157-02-000) INSULATION.
4. ADD TEFLON TAPE 010405-02-000.
3. ALL TUBING TO BE SECURED AT 1200 INTERVALS MAXIMUM WITH CLAMP 010495-01-000 AND SCREW 000G67-10-12U OR EQUIVALENT.
2. TUBING TO BE INSTALLED WITH SUFFICIENT SLOPE TO PROVIDE DRAINAGE TO NEAREST VALVE.
1. PLASTIC FITTINGS TO BE SEALED WITH SEALANT 084456-01-000.

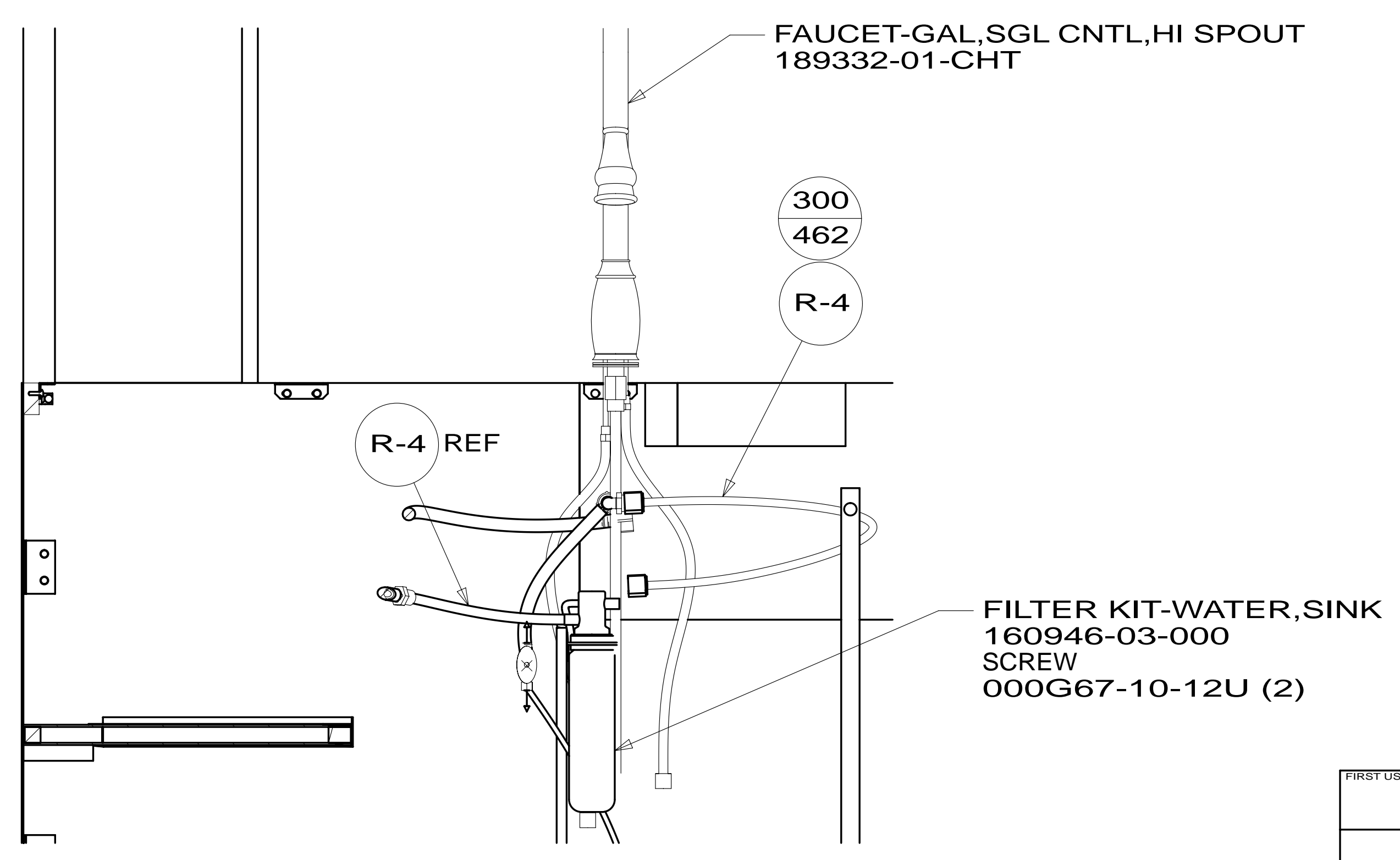
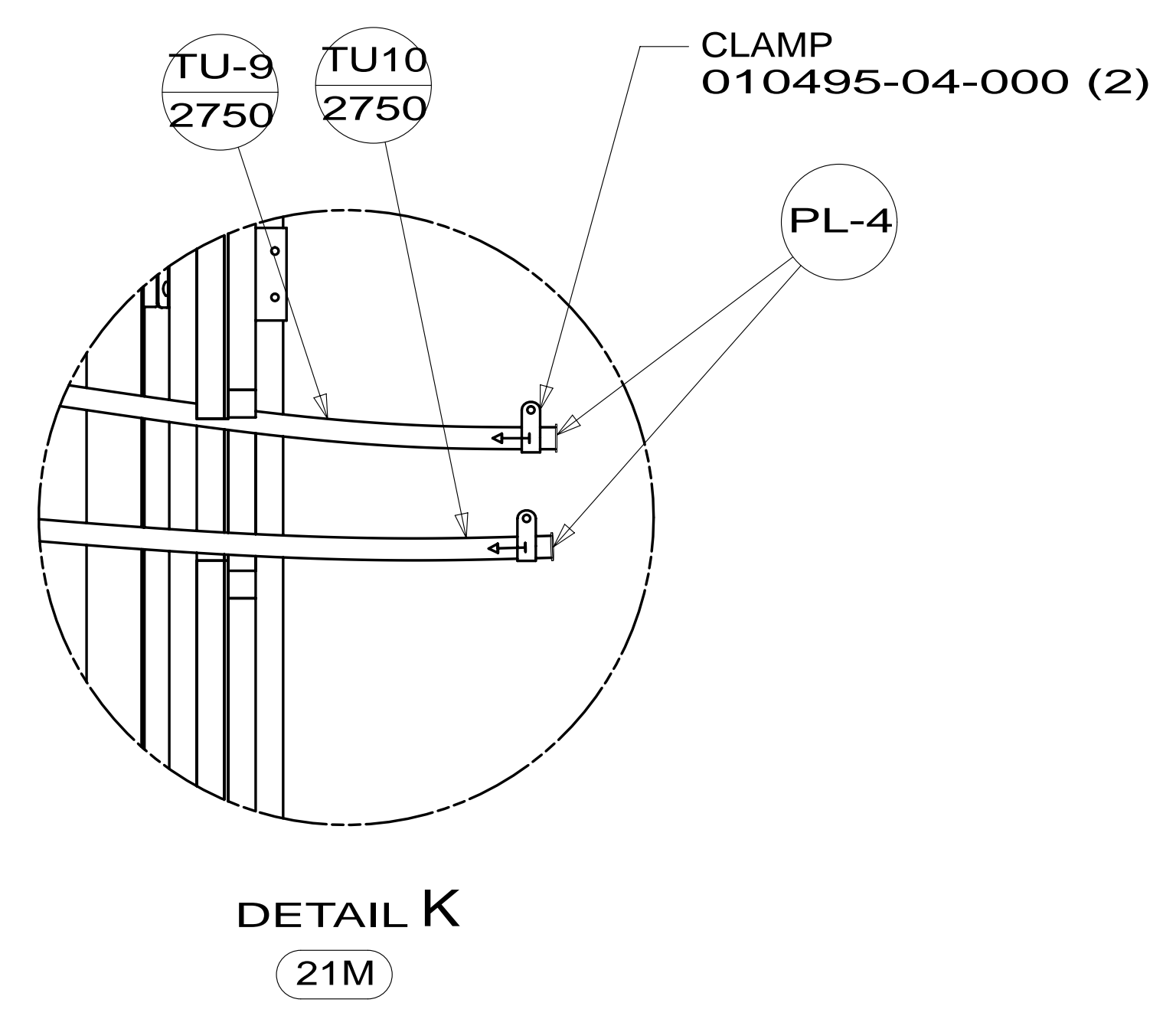
		COPYRIGHT 2014 WINNEBAGO INDUSTRIES, INC.	
DFTR	ORIG. DATE		
CHKR	ALL DIMENSIONS ARE IN MILLIMETERS		
P.E.			
M.E.	FIRST USED		
DSNR	14 J35P		
UNSPECIFIED TOLERANCES ARE:		MATERIAL:	
WHOLE DIM (X)	: 3		
ONE-PLACE (X.X)	: 1.5		
TWO-PLACE (X.XX)	: 0.50		
ANGLE	: 1°		
THIRD ANGLE PROJECTION			
DO NOT SCALE DRAWING		REFER TO ES0018 FOR FASTENER TIGHTENING GUIDELINES	
TITLE: WATER SYSTEM INSTL			
SHEET 1 OF 4	PART NO	184115	REV
REF:	1	31-Mar-2014	

FOR WATER CALLOUTS SEE DWG NO 116230-01-000

* 184115 * A



VIEW A



FIRST USED	14 J35P	
DO NOT SCALE DRAWING		
TITLE:	WATER SYSTEM INSTL	
SHEET 2	PART NO 184115	REV
		31-Mar-2014

*184115 *A

PANEL-SHOWER
167738-02-CHT

4 E-44

TU-9
1920

TU10
1870

E-9

E-9

R-5

R-4

T-28

TU-9
605

TU10
610

E-21

VIEW C

DETAIL J

FAUCET-LAV
165730-01-CHT

E-46

BREAKER-VACUUM
125697-04-000
MUST BE MOUNTED ABOVE
TOILET FLOOD LEVEL
CHECK VALVE
125697-03-000 4

A-27

346 SHOWER-HAND
187372-01-CHT

221

F-2

SECTION D-D
(ROTATED)

TO TOILET

TU-9
3450

TU-9
1640

S-1

E-44

TU-8
675

T-28

T-29

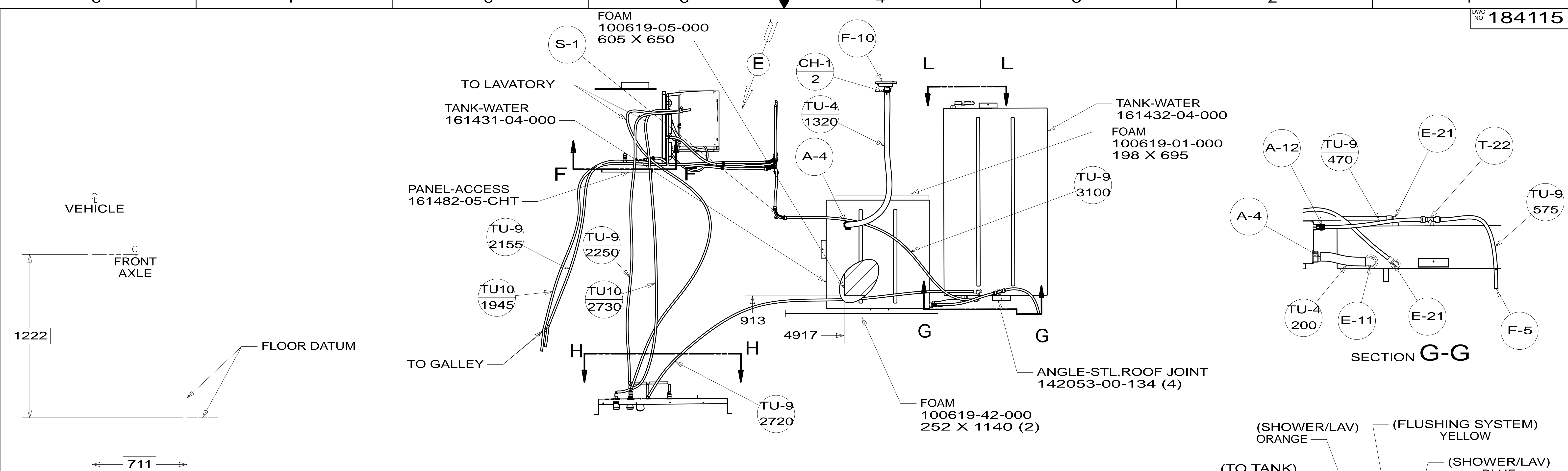
TU-9
160

S-1

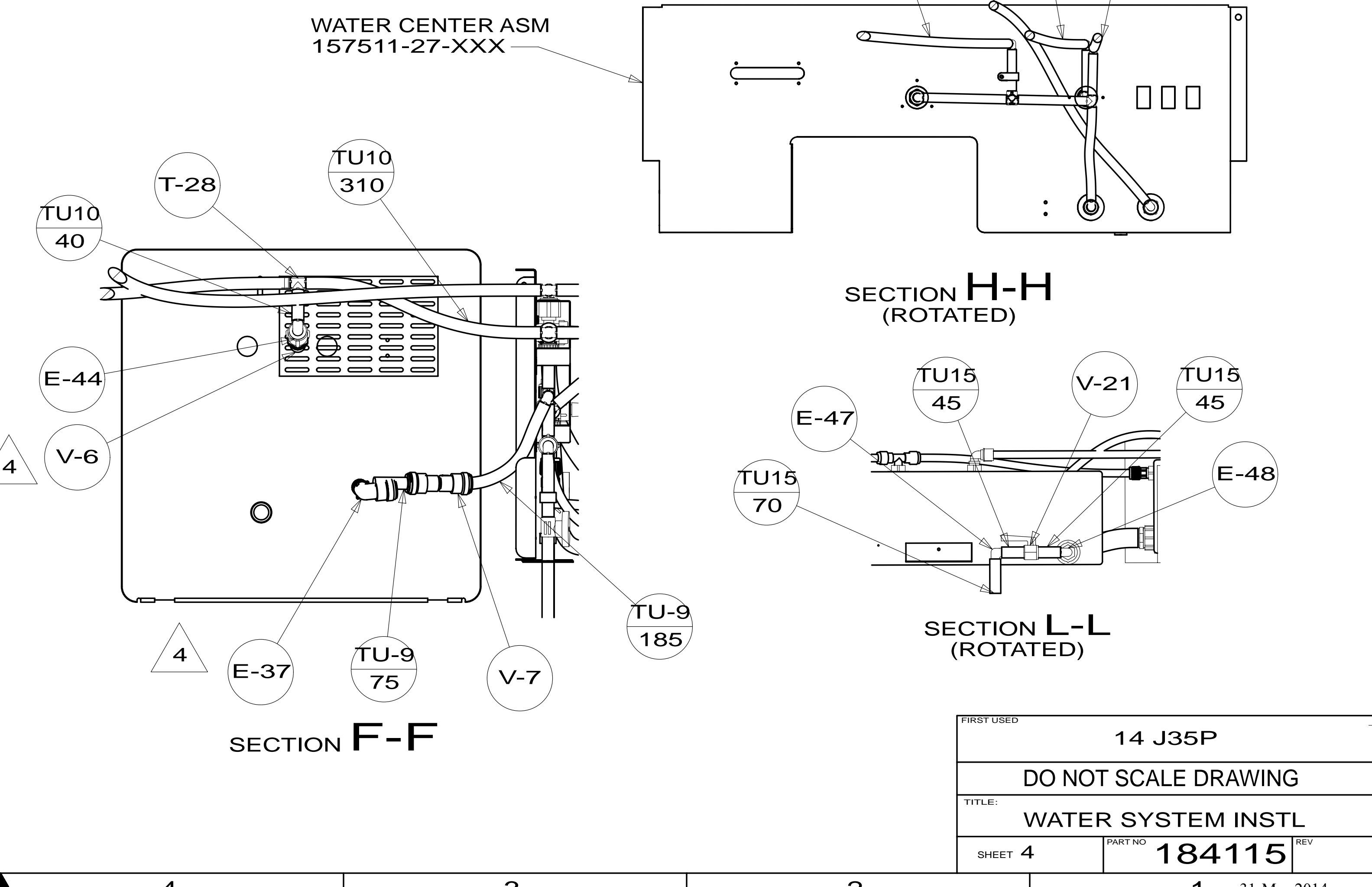
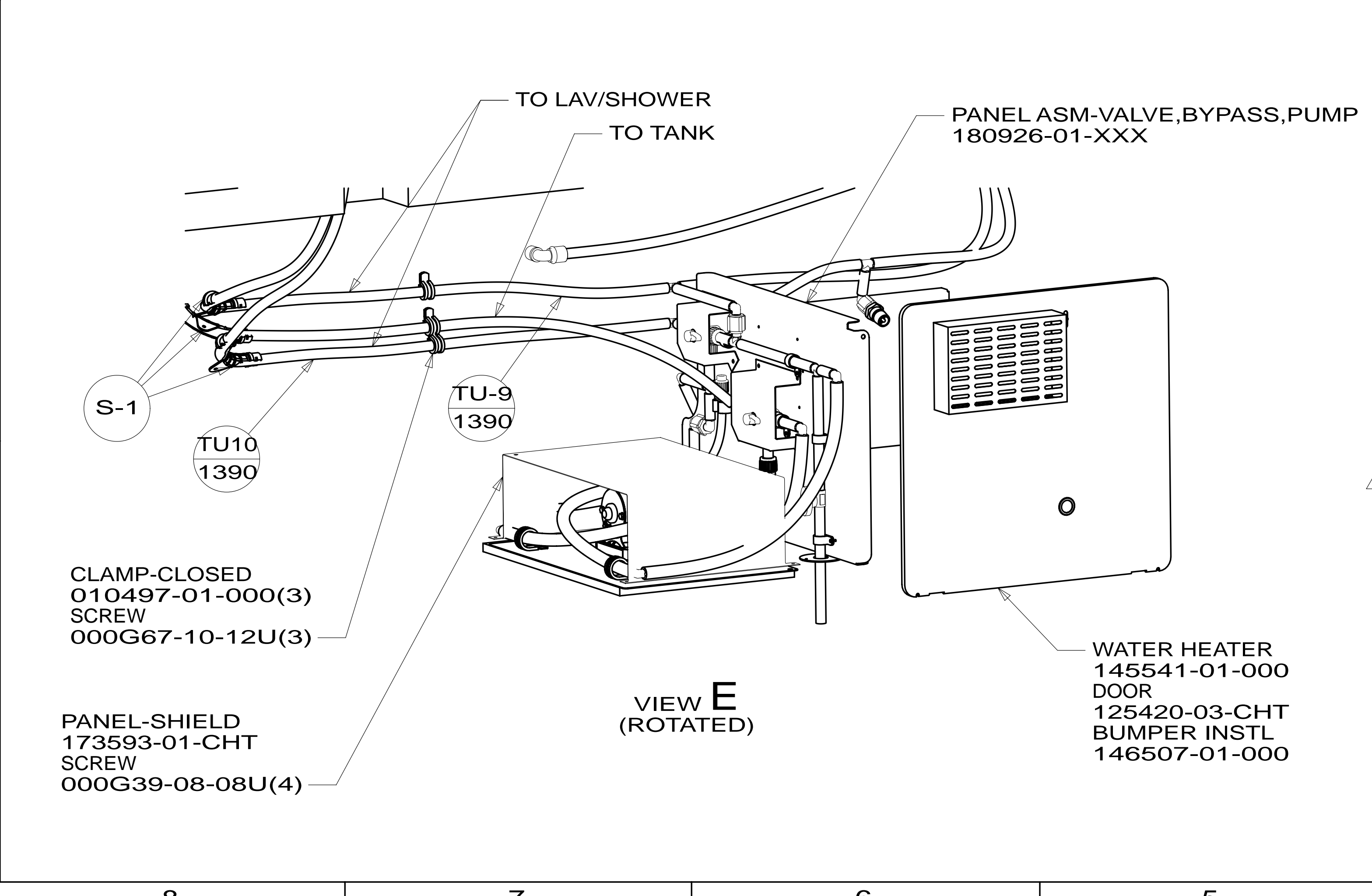
DETAIL J
(SHOWN W/OUT CABINET)

FIRST USED	14 J35P		
TITLE:	DO NOT SCALE DRAWING		
TITLE:	WATER SYSTEM INSTL		
SHEET 3	PART NO	184115	REV
		1	31-Mar-2014

*184115 *A



TOP VIEW LINES UNDER FLOOR SHOWN ONLY



FIRST USED	14 J35P	
TITLE:	DO NOT SCALE DRAWING	
SHEET 4	PART NO	184115
	REV	

*184115 *A