

- (23R) DRAINAGE SYSTEM/HEAT-PREWIRE
- (1JD) DRAINAGE SYSTEM-HEATED-W/O
- (23T) DRAINAGE SYSTEM-HEATED
- (464) TOILET
- (265) CODES/STANDARDS-CSA/CMVSS
- (1B1) CODES/STANDARDS USA

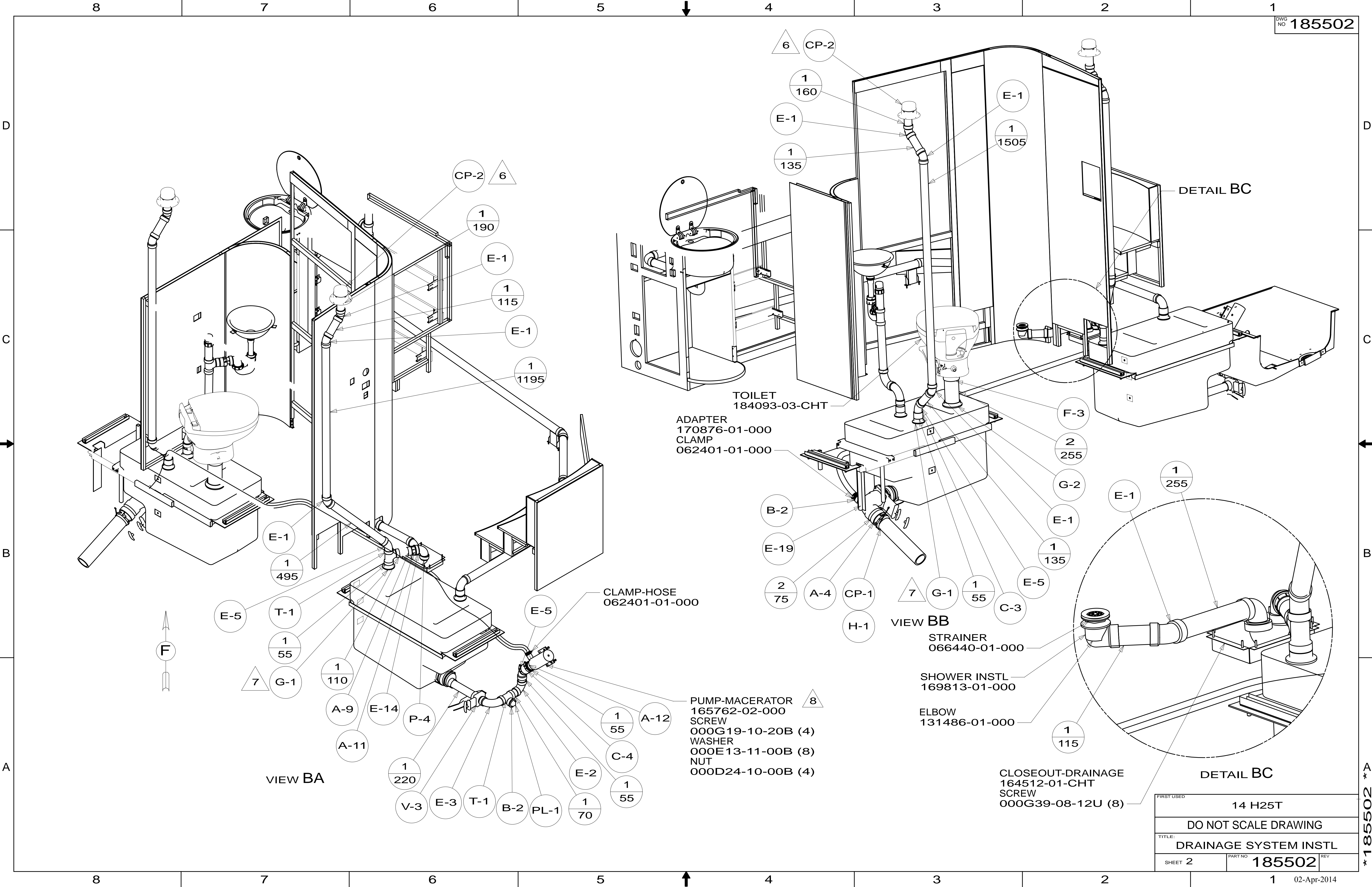
- 9 PREP THE SURFACE PER MANUFACTURERS INSTRUCTIONS, THEN APPLY ADHESIVE 067788-04-000 (0.10) ON PREPARED AREA BEFORE APPLYING THE HEADING PAD PER MANUFACTURERS INSTRUCTIONS.
- 8 FOLLOW SEWAGE MACERATOR PUMP WINTERIZATION PROCEDURE. EACH PUMP REQUIRES TWO GALLONS OF RV ANTIFREEZE 182955-01-000.
- 7 SECURE VENT PIPE TO FLOOR WITH CLAMP 062401-02-000 (2), SCREW 000G67-10-12U (2), BRACKET 136878-01-CHT (2).
- 6 VENT PIPE MUST PROJECT 51 MIN AND 64 MAX ABOVE ROOF FOR PROPER FIT AND FUNCTION. ADD S-1 (116666-01-CHT SEAL-VENT PIPE) AROUND PIPE ON ROOF BEFORE VENT CAP IS INSTALLED.
5. SEAL AROUND SHOWER WITH SILICONE.
4. SECURE DRAINAGE PIPES TO CABINET USING WIRE TIE 108046-02-000, AND SCREW 000G67-10-12U AT INTERVALS OF NOT MORE THAN 4 FEET APART.
3. ALL PIPE AND FITTINGS TO BE ASSEMBLED WITH SOLVENT 004020-01-000 (USA), 004020-02-000 (CAN)
2. SLOPE OF TRAP ARM MUST BE 6 PER 305 mm.
1. SLOPE OF HORIZONTAL PIPING TO BE MINIMUM OF 3 PER 305 mm.

NOTES:

FOR DRAINAGE CALLOUTS SEE DWG NO 116229-01-000

		COPYRIGHT 2014 WINNEBAGO INDUSTRIES, INC.	
DFT-ORIG	ORIG. DATE	ALL DIMENSIONS ARE IN MILLIMETERS	
CHKR			
P.E.			
M.E.	FIRST USED	14 H25T	
DSNR			
UNSPECIFIED TOLERANCES ARE:		MATERIAL:	
WHOLE DIM (X)	: 3		
ONE-PLACE (X.X)	: 1.5		
TWO-PLACE (X.XX)	: 0.50		
ANGLE	: 1°		
THIRD ANGLE PROJECTION			
DO NOT SCALE DRAWING		REFER TO ES0018 FOR FASTENER TIGHTENING GUIDELINES	
TITLE: DRAINAGE SYSTEM INSTL			
SHEET 1 OF 4	PART NO	185502	REV
REF:	1	02-Apr-2014	

* 185502 *



VIEW BA

VIEW BB

DETAIL BC

TOILET
184093-03-CHT
ADAPTER
170876-01-000
CLAMP
062401-01-000

CLAMP-HOSE
062401-01-000

PUMP-MACERATOR
165762-02-000
SCREW
000G19-10-20B (4)
WASHER
000E13-11-00B (8)
NUT
000D24-10-00B (4)

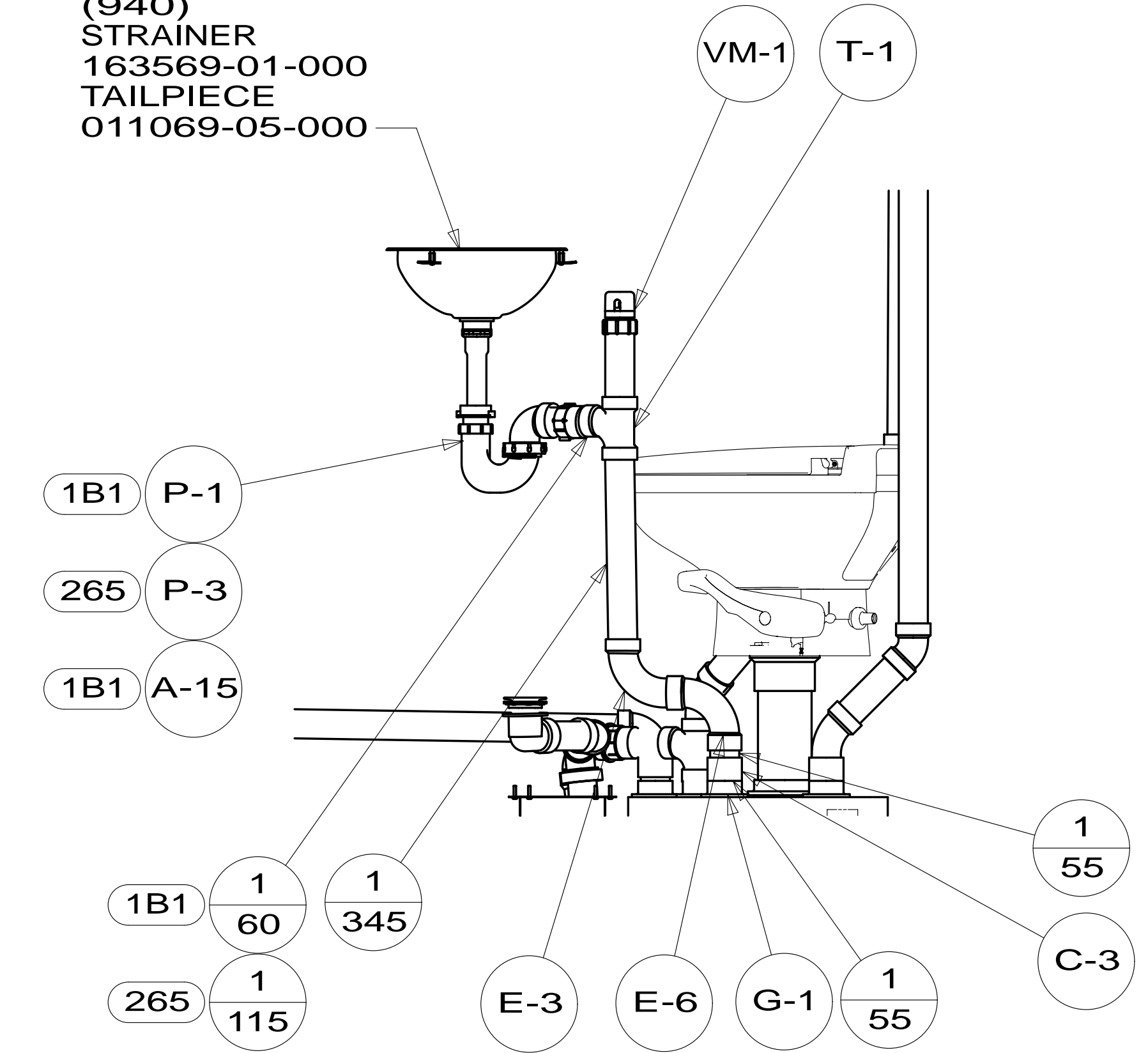
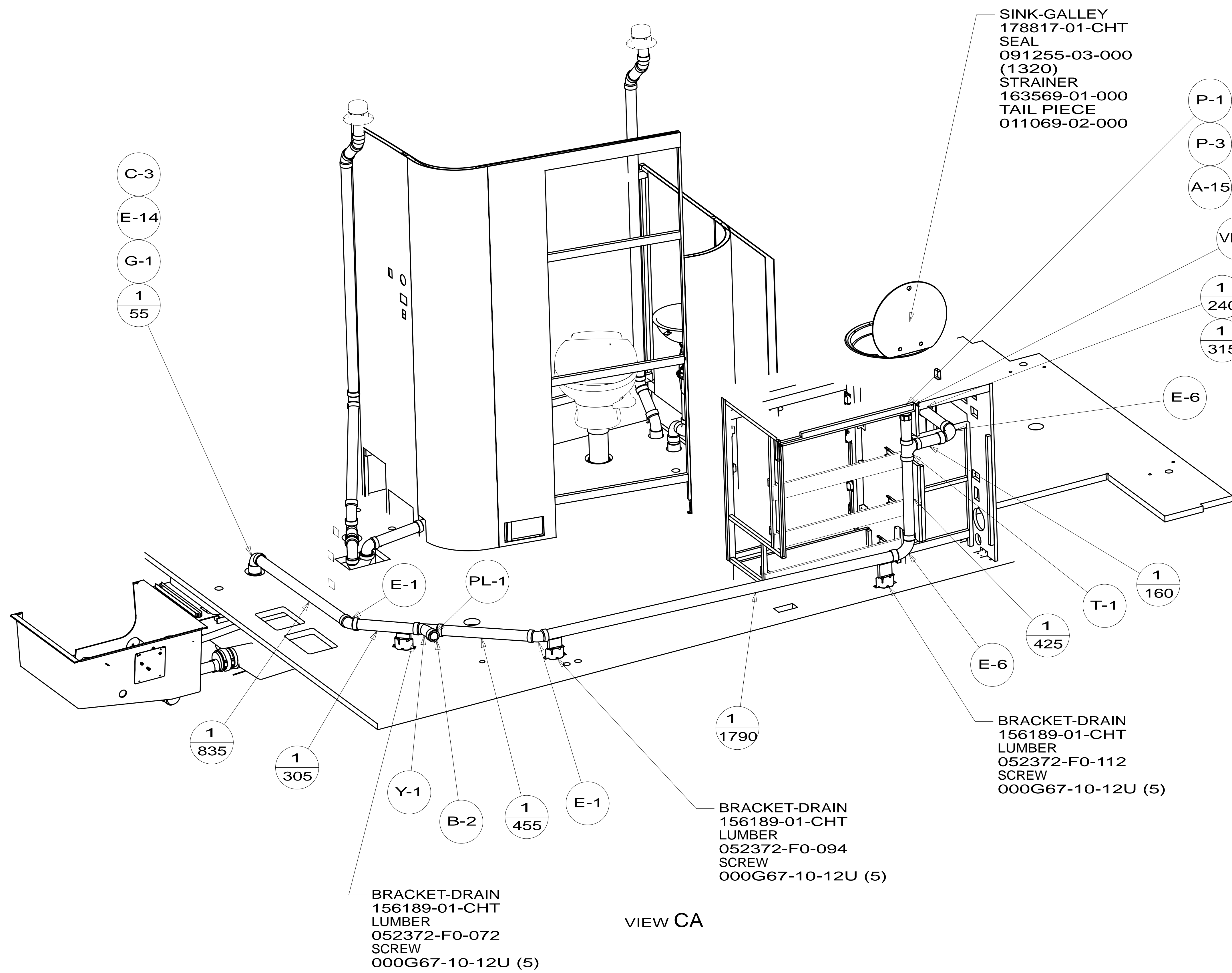
SHOWER INSTL
169813-01-000

ELBOW
131486-01-000

CLOSEOUT-DRAINAGE
164512-01-CHT
SCREW
000G39-08-12U (8)

FIRST USED	14 H25T
DO NOT SCALE DRAWING	
TITLE: DRAINAGE SYSTEM INSTL	
SHEET 2	PART NO 185502 REV

* 185502

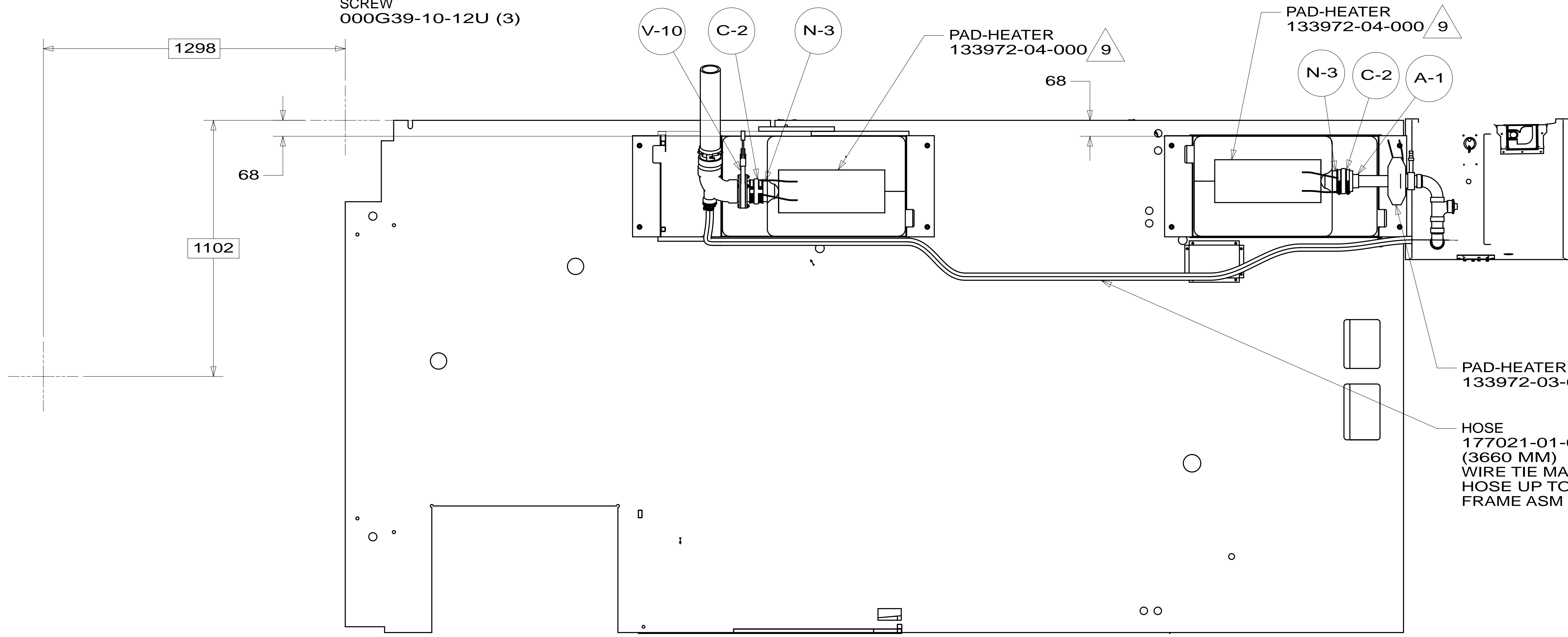
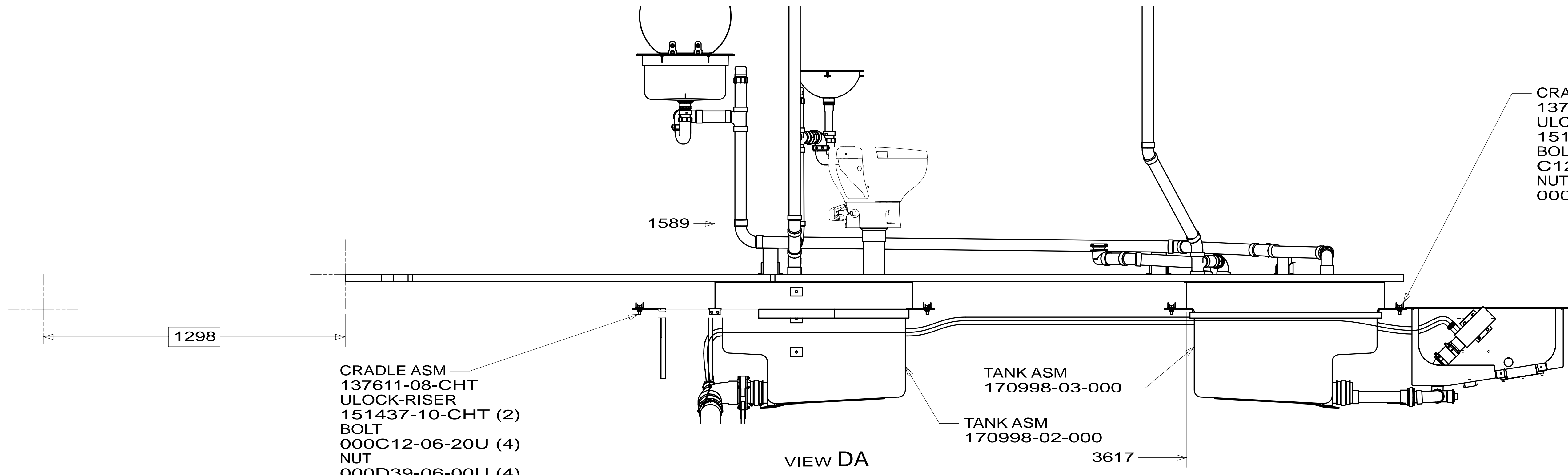


VIEW CA

VIEW CB

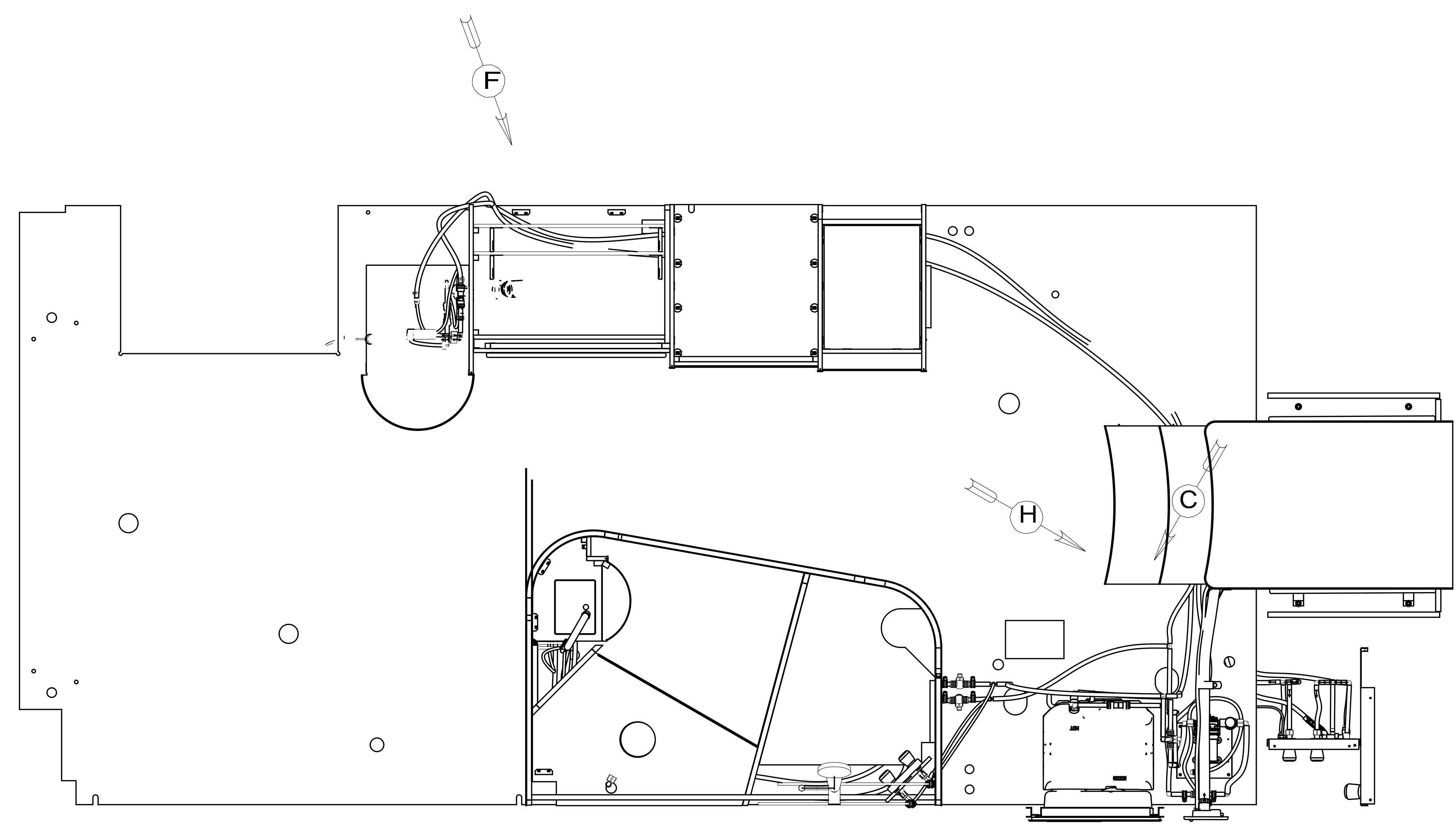
FIRST USED	14 H25T	
TITLE:	DO NOT SCALE DRAWING	
TITLE:	DRAINAGE SYSTEM INSTL	
SHEET 3	PART NO 185502	REV
		02-Apr-2014

* 185502 * A



FIRST USED	14 H25T	
TITLE:	DO NOT SCALE DRAWING	
TITLE:	DRAINAGE SYSTEM INSTL	
SHEET 4	PART NO 185502	REV

* 185502 * A



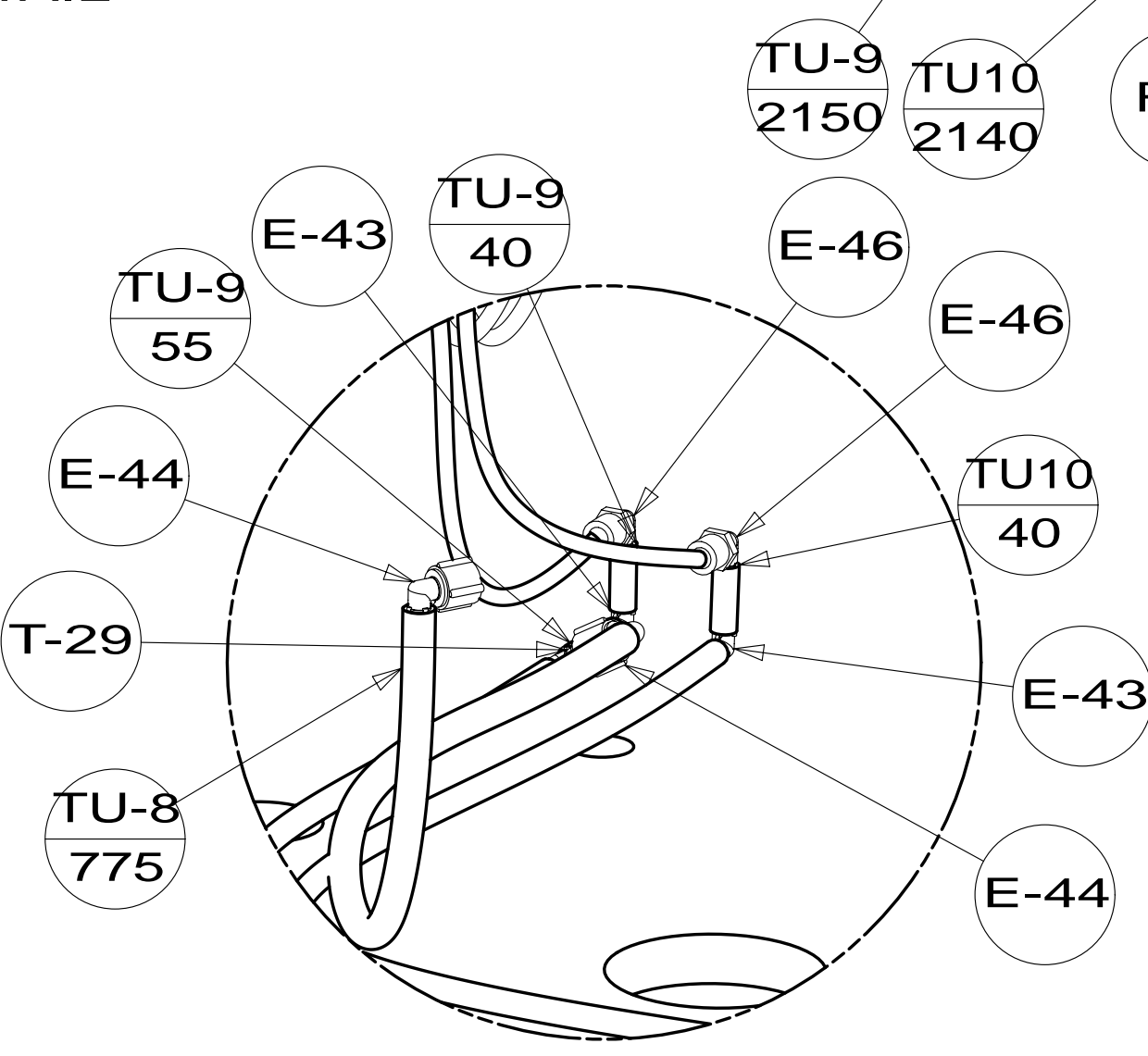
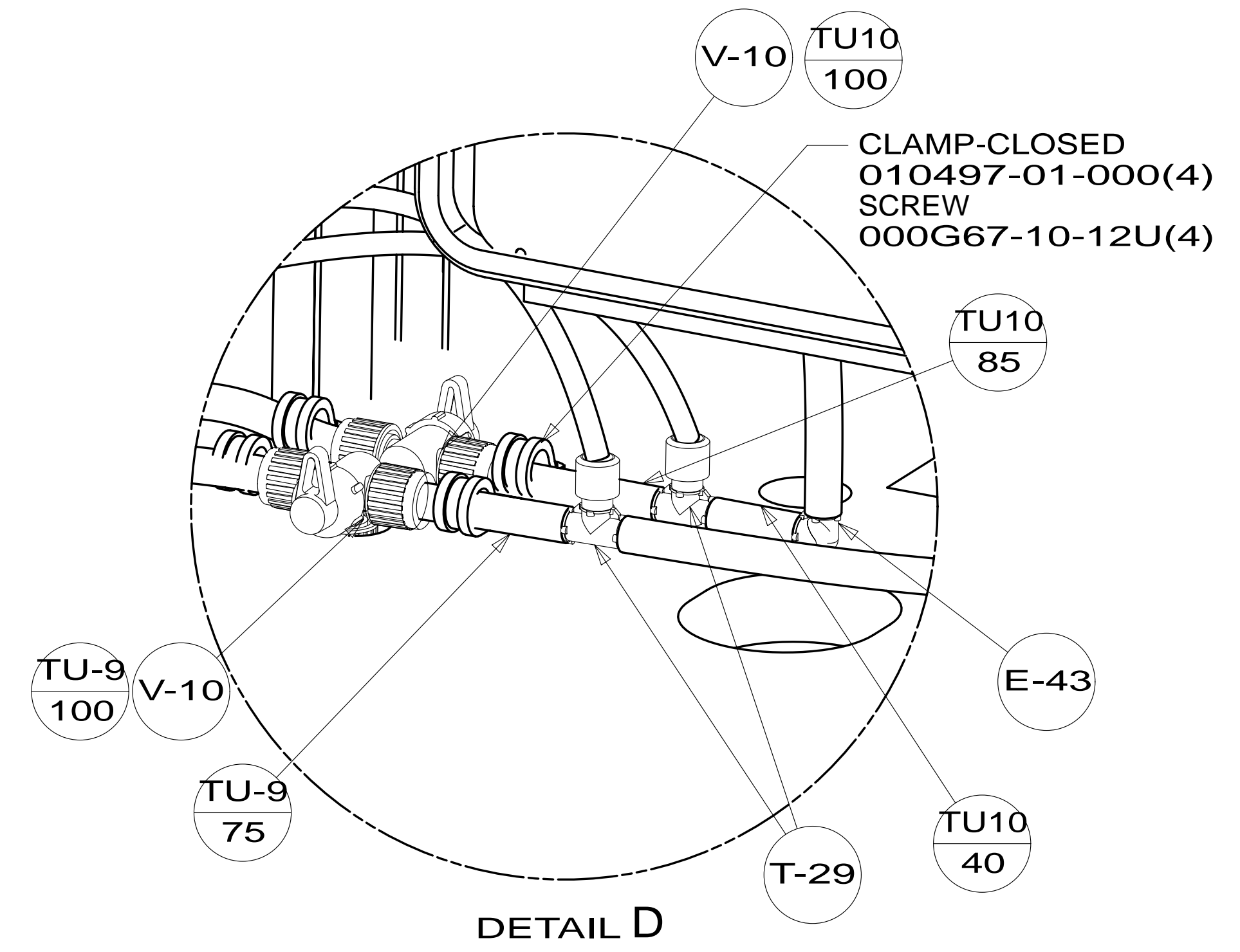
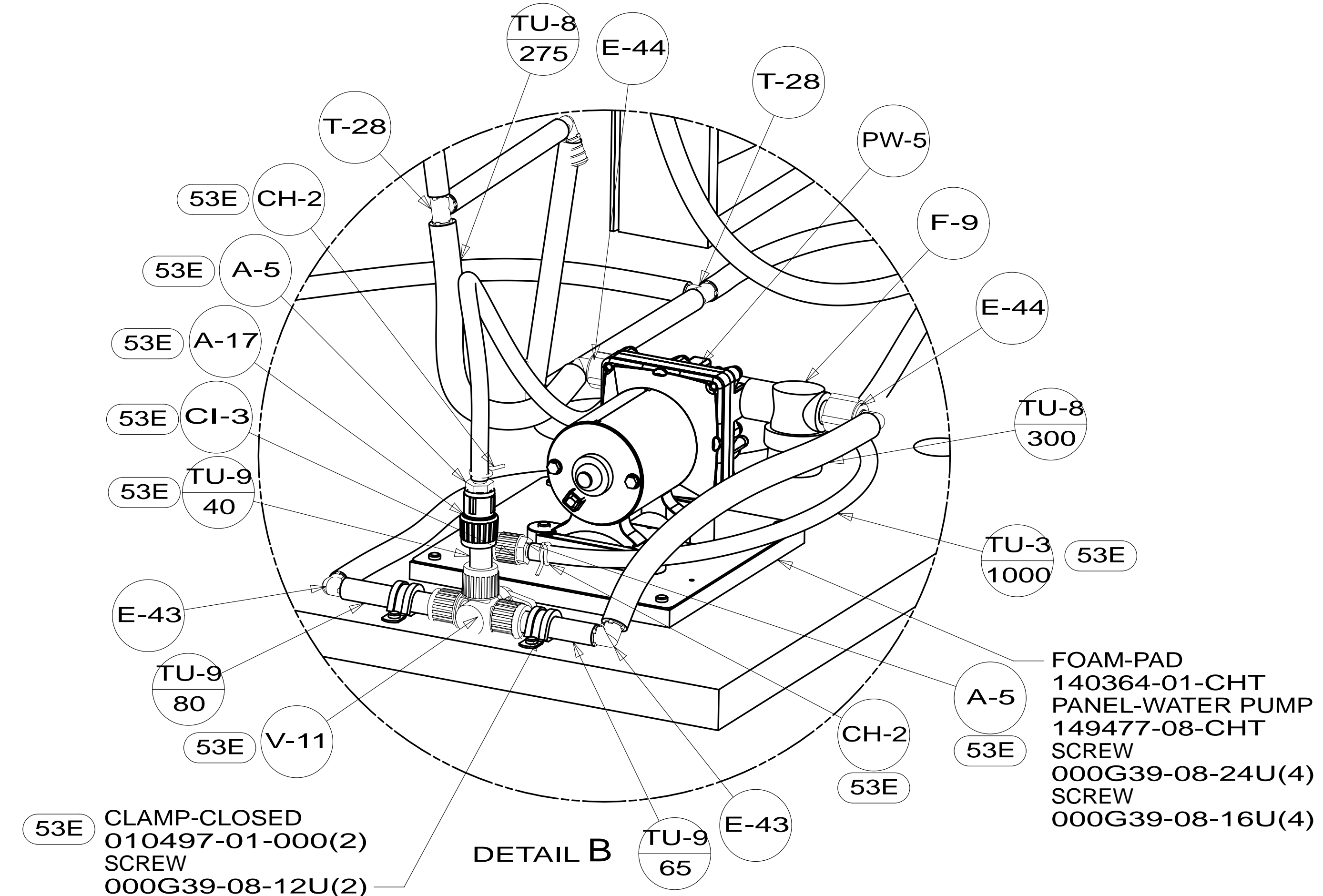
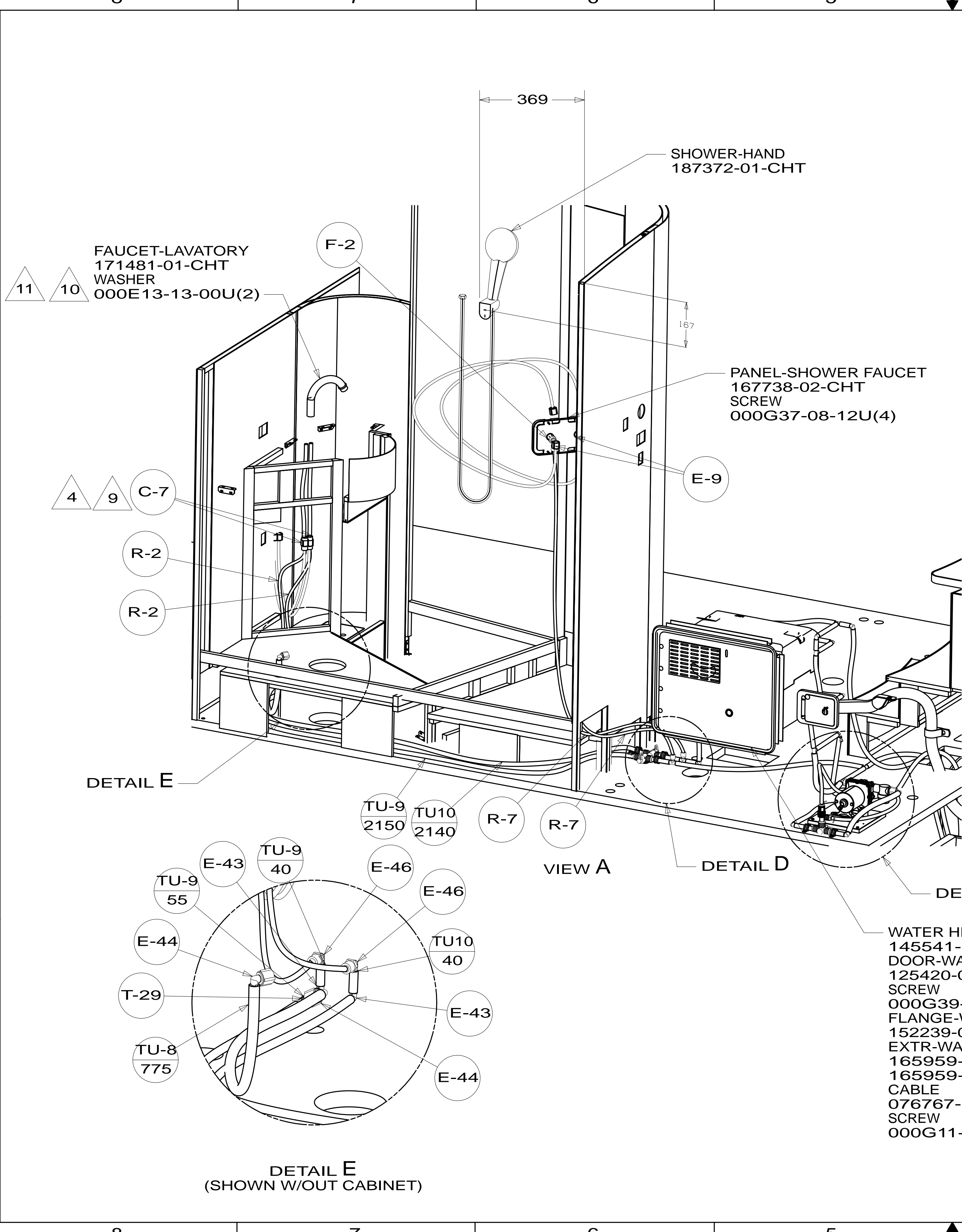
- 11 INSTALL BETWEEN MOUNTING PLATE AND RETAINING NUTS.
- 10 LAVATORY FAUCET SPOUT TO BE TURNED 180° SO THE ON/OFF HANDLE IS FACING TOWARD THE SHOWER.
- 9. INSTALL CONNECTOR WITH TAPERED END AWAY FROM FAUCET.
- 8. ALL CRIMP FITTINGS TO 1/2" PEX TUBING REQUIRE 1/2" CLAMP 140171-03-000.
- 7. ALL CRIMP FITTINGS TO 5/8" PEX TUBING REQUIRE 5/8" CLAMP 140171-04-000.
- 6 LABEL HOT AND COLD SUPPLY TUBES AND TAPE FITTING TO TUBE BEFORE CABINET SET TO PREVENT MOVEMENT.
- 5 ADD PIPE WRAP (LADDER SCRAP 110157-02-000) INSULATION.
- 4 ADD TEFLON TAPE 010405-02-000.
- 3. ALL TUBING TO BE SECURED AT 1200 INTERVALS MAXIMUM WITH CLAMP 010495-01-000 AND SCREW 000G67-10-12U OR EQUIVALENT.
- 2. TUBING TO BE INSTALLED WITH SUFFICIENT SLOPE TO PROVIDE DRAINAGE TO NEAREST VALVE.
- 1. PLASTIC FITTINGS TO BE SEALED WITH SEALANT 084456-01-000.

- 53E WATER SYS WINTERIZATION PKG
- 29B WATER PURIFIER
- 64R EXTERIOR WASH STATION

		COPYRIGHT 2014 WINNEBAGO INDUSTRIES, INC.	
DFT-ORIG	ORIG. DATE	ALL DIMENSIONS ARE IN MILLIMETERS	
CHKR			
P.E.			
M.E.	FIRST USED		
DSNR		14 H25T	
UNSPECIFIED TOLERANCES ARE:		MATERIAL:	
WHOLE DIM (X)	: 3		
ONE-PLACE (X.X)	: 1.5		
TWO-PLACE (X.XX)	: 0.50		
ANGLE	: 1°		
THIRD ANGLE PROJECTION			
DO NOT SCALE DRAWING		REFER TO ES0018 FOR FASTENER TIGHTENING GUIDELINES	
TITLE: WATER SYSTEM INSTL			
SHEET 1 OF 4	PART NO	185503	REV
REF:	1	03-Apr-2014	

FOR WATER CALLOUTS SEE DWG NO 116230-01-000

* 185503 * A

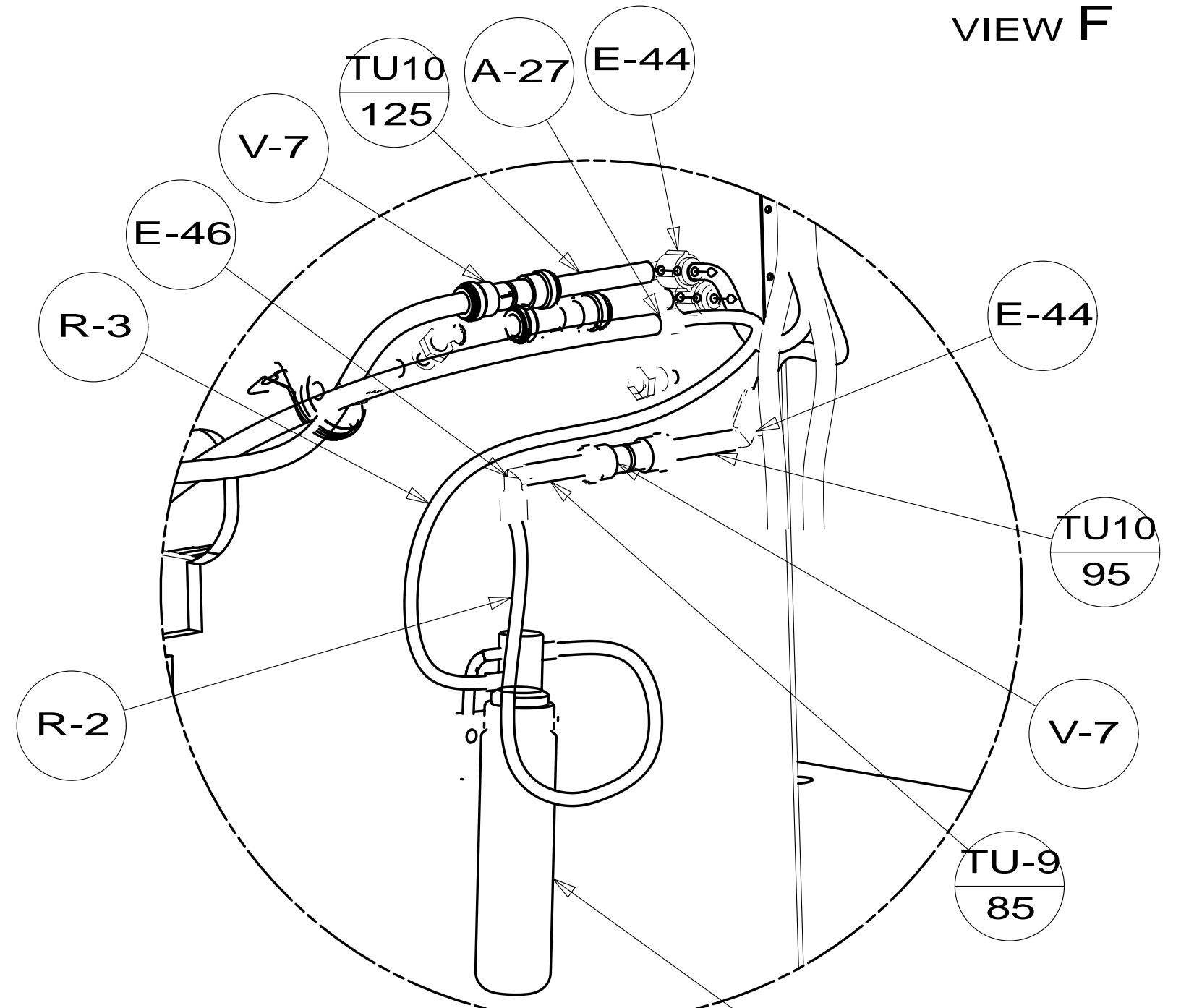
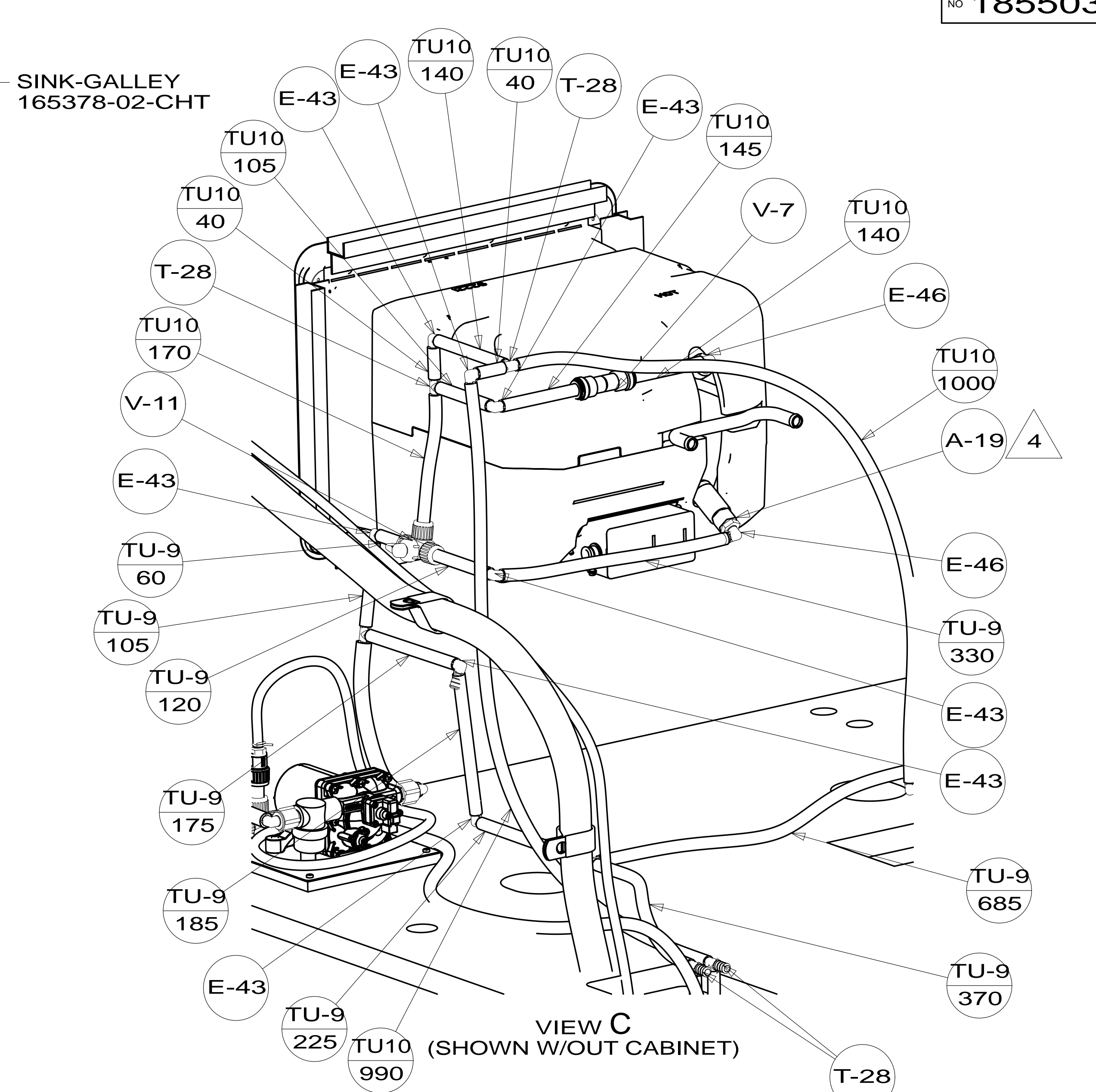
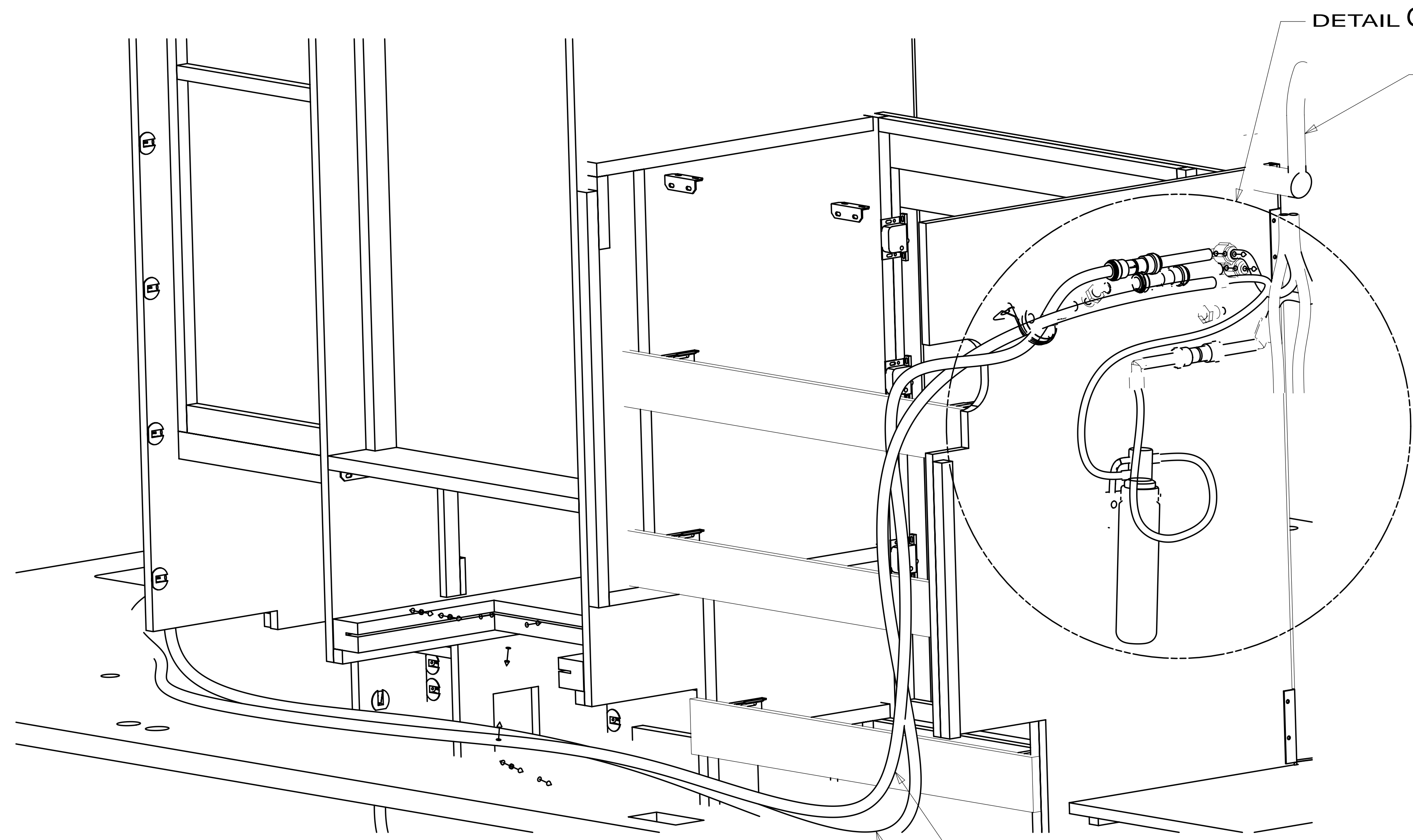


DETAIL E (SHOWN W/OUT CABINET)

- WATER HEATER 145541-02-000
- DOOR-WATER HEATER 125420-06-CHT SCREW 000G39-10-169(16)
- FLANGE-WATER HEATER 152239-01-CHT
- EXTR-WATER HEATER 165959-51-002(2) 165959-51-004(2)
- CABLE 076767-03-000 SCREW 000G11-06-08U(2)

FIRST USED	14 H25T	
TITLE:	DO NOT SCALE DRAWING	
TITLE:	WATER SYSTEM INSTL	
SHEET 2	PART NO 185503	REV
		03-Apr-2014

* 185503 * A



DETAIL G
29B

FILTER KIT-WATER, SINK
160946-03-000
SCREW
000G67-10-12U(2)

FIRST USED	14 H25T	
TITLE:	DO NOT SCALE DRAWING	
SHEET 3	PART NO	185503
	REV	1
		03-Apr-2014

* 185503 * A

TANK
109606-10-000
STRAP-TANK,WATER
118994-01-CHT(2)
WASHER
000E13-18-00U(4)
NUT
000D39-06-00U(8)

CLAMP-CLOSED
010497-04-000(2)

PANEL-ELECTRICAL
151707-03-CHT

TO PUMP

DETAIL L

DETAIL L
(SHOWN W/OUT COMPT)

64R

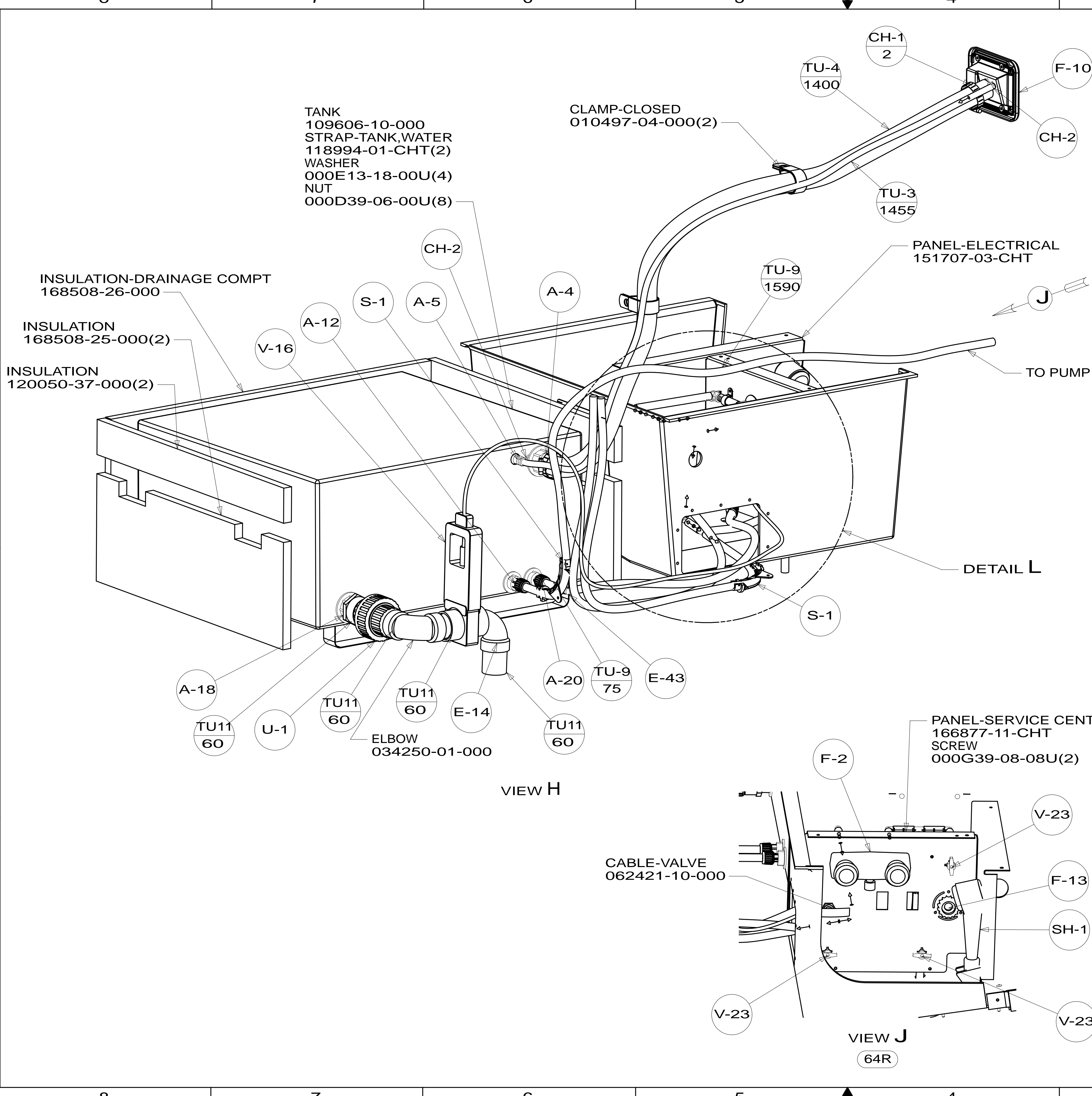
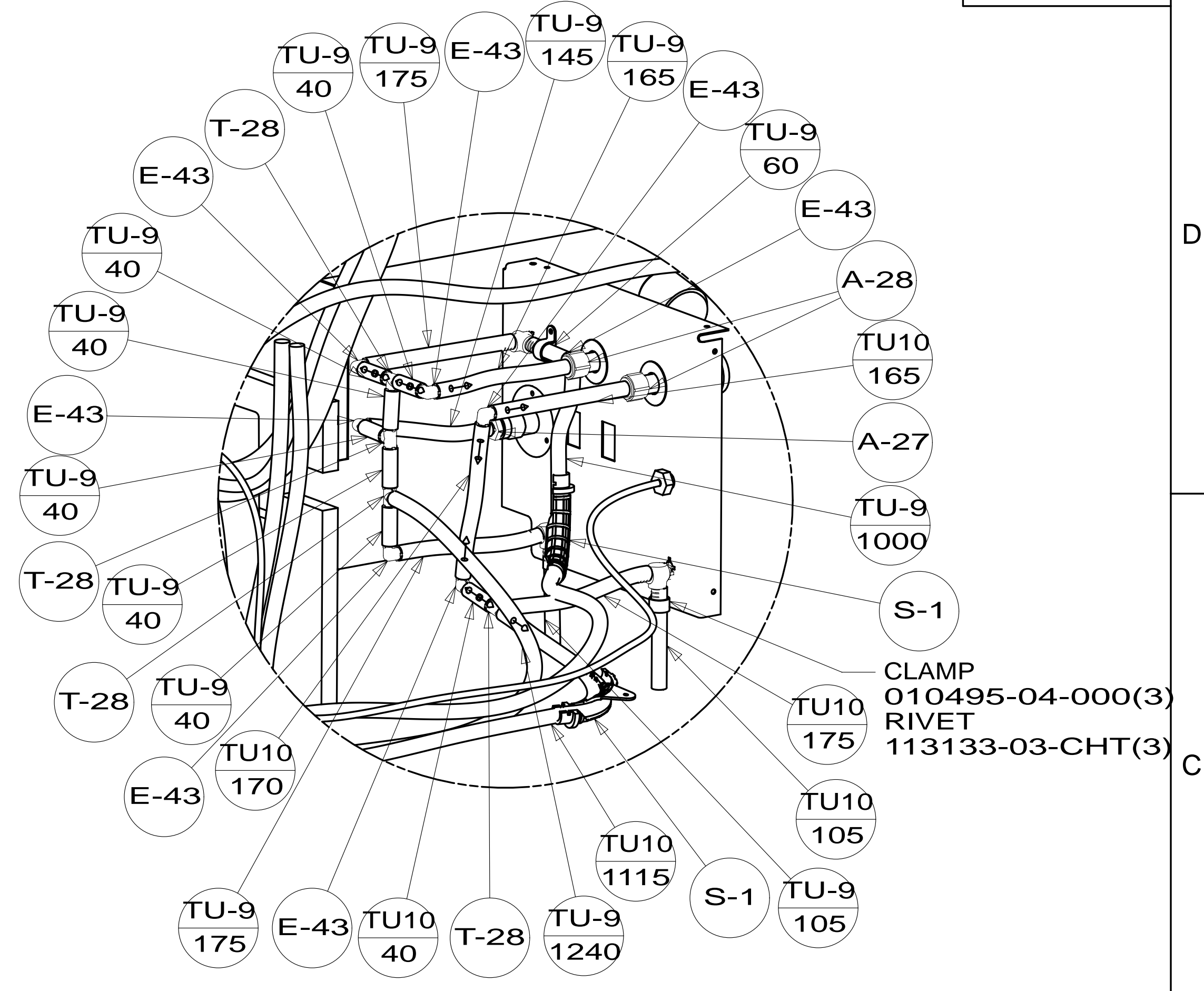
PANEL-SERVICE CENTER
166877-11-CHT
SCREW
000G39-08-08U(2)

CABLE-VALVE
062421-10-000

VIEW H

VIEW J

64R



FIRST USED	14 H25T	
TITLE:	DO NOT SCALE DRAWING	
SHEET 4	PART NO	185503
	REV	
03-Apr-2014		

* 185503 * A