

10. PREP THE SURFACE PER MANUFACTURERS INSTRUCTIONS BEFORE APPLYING THE HEATING PAD.
9. WATERLESS P-TRAP MUST BE INSTALLED WITH THE RIBS POINTING DOWN
8. U-LOCKS TO BE INSTALLED BEFORE THE FRAME ASM IS BOLTED DOWN TO THE CHASSIS AND BEFORE THE SEAL PLANES ARE INSTALLED.
7. SECURE VENT PIPE TO FLOOR WITH CLAMP 062401-02-000 (2), SCREW 000G67-10-12U (2), BRACKET 136878-01-CHT (2).
6. VENT PIPE MUST PROJECT 51 MIN AND 64 MAX ABOVE ROOF FOR PROPER FIT AND FUNCTION. ADD S-1 (116666-01-CHT SEAL-VENT PIPE) AROUND PIPE ON ROOF BEFORE VENT CAP IS INSTALLED.
5. SEAL AROUND SHOWER WITH SILICONE.
4. SECURE DRAINAGE PIPES TO CABINET USING WIRE TIE 108046-02-000, AND SCREW 000G67-10-12U AT INTERVALS OF NOT MORE THAN 4 FEET APART.
3. ALL PIPE AND FITTINGS TO BE ASSEMBLED WITH SOLVENT 004020-01-000 (USA), 004020-02-000 (CAN)
2. SLOPE OF TRAP ARM MUST BE 6 PER 305 mm.
1. SLOPE OF HORIZONTAL PIPING TO BE MINIMUM OF 3 PER 305 mm.

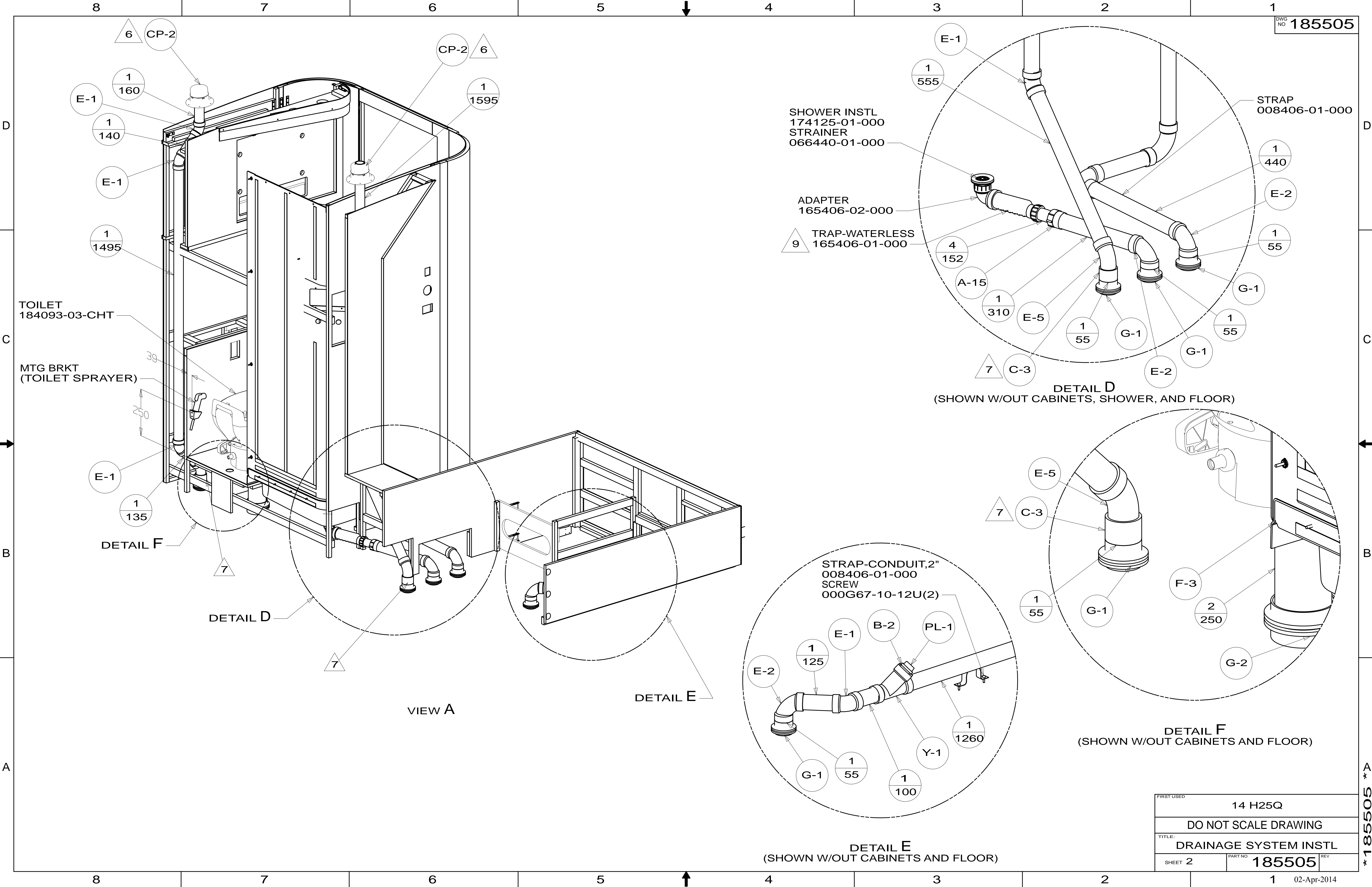
- 1JD DRAINAGE SYSTEM-HEATED-W/O
- 23T DRAINAGE SYSTEM-HEATED
- 464 TOILET
- 265 CODES/STANDARDS-CSA/CMVSS
- 1B1 CODES/STANDARDS USA

		COPYRIGHT 2014 WINNEBAGO INDUSTRIES, INC.	
DFT-ORIG	ORIG. DATE	ALL DIMENSIONS ARE IN MILLIMETERS	
CHKR			
P.E.			
M.E.	FIRST USED		
DSNR		14 H25Q	
UNSPECIFIED TOLERANCES ARE:		MATERIAL:	
WHOLE DIM (X)	: 3		
ONE-PLACE (X.X)	: 1.5		
TWO-PLACE (X.XX)	: 0.50		
ANGLE	: 1°		
THIRD ANGLE PROJECTION			
DO NOT SCALE DRAWING		REFER TO ES0018 FOR FASTENER TIGHTENING GUIDELINES	
TITLE: DRAINAGE SYSTEM INSTL			
SHEET 1 OF 4	PART NO	185505	REV
REF:	1	02-Apr-2014	

FOR DRAINAGE CALLOUTS SEE DWG NO 116229-01-000

NOTES:

* 185505



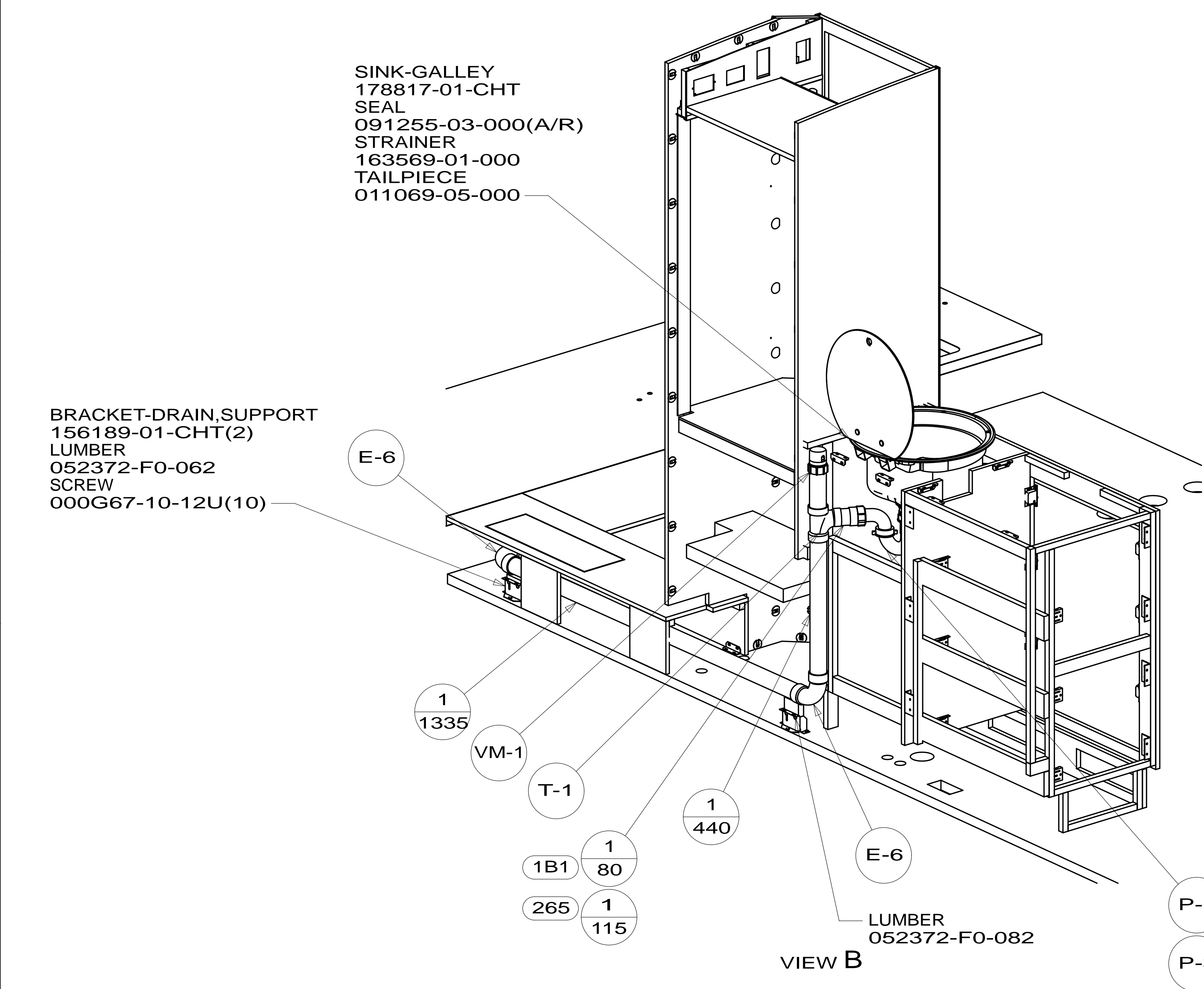
FIRST USED	14 H25Q	
TITLE:	DO NOT SCALE DRAWING	
TITLE:	DRAINAGE SYSTEM INSTL	
SHEET 2	PART NO	185505
	REV	
		02-Apr-2014

* 185505 * A

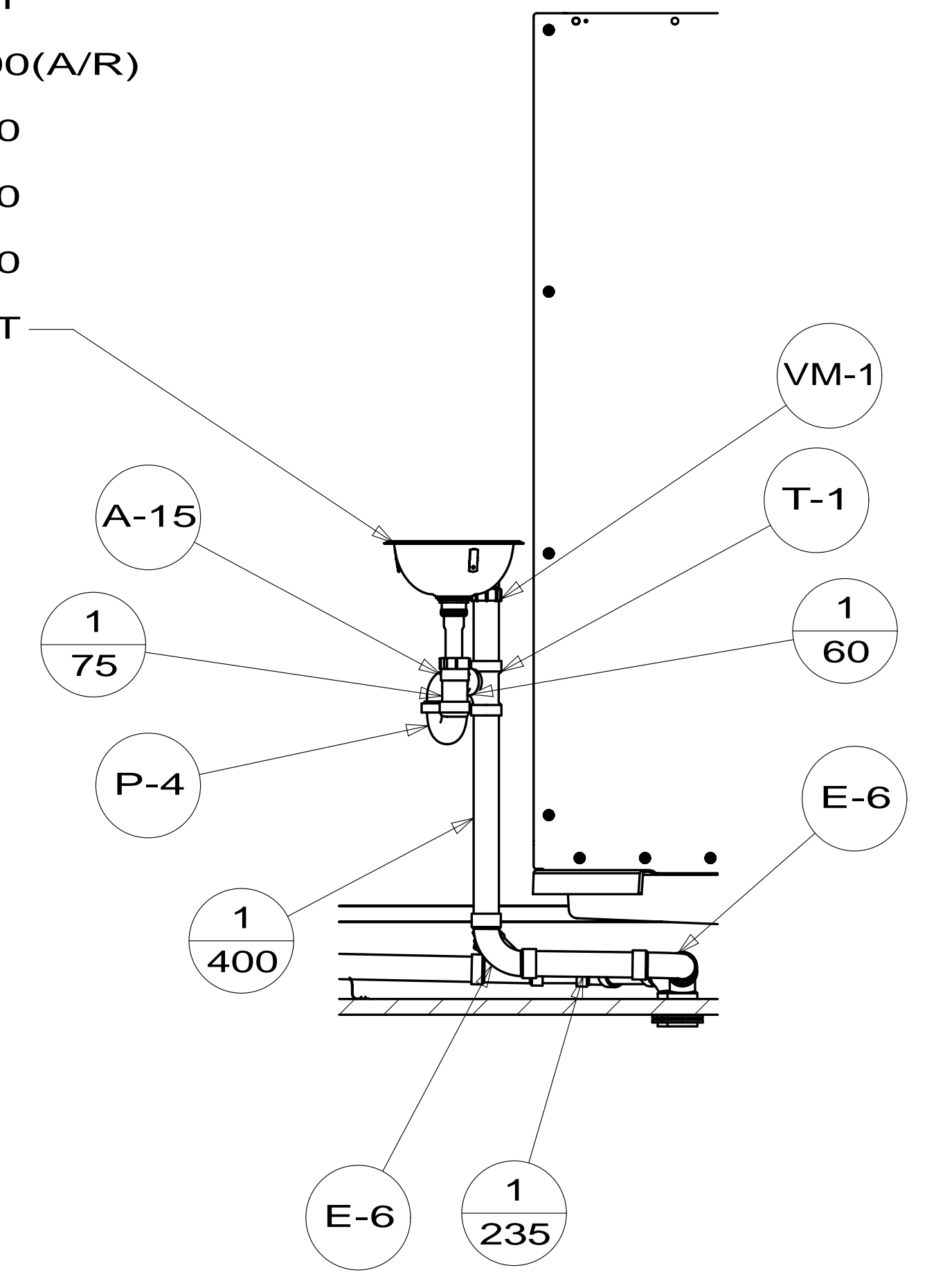
SINK-GALLEY
 178817-01-CHT
 SEAL
 091255-03-000(A/R)
 STRAINER
 163569-01-000
 TAILPIECE
 011069-05-000

BRACKET-DRAIN,SUPPORT
 156189-01-CHT(2)
 LUMBER
 052372-F0-062
 SCREW
 000G67-10-12U(10)

SINK-LAVATORY
 174018-01-CHT
 SEAL
 091255-02-000(A/R)
 STRAINER
 163569-01-000
 TAILPIECE
 011069-05-000
 NUT
 130403-01-000
 WASHER
 127440-02-CHT



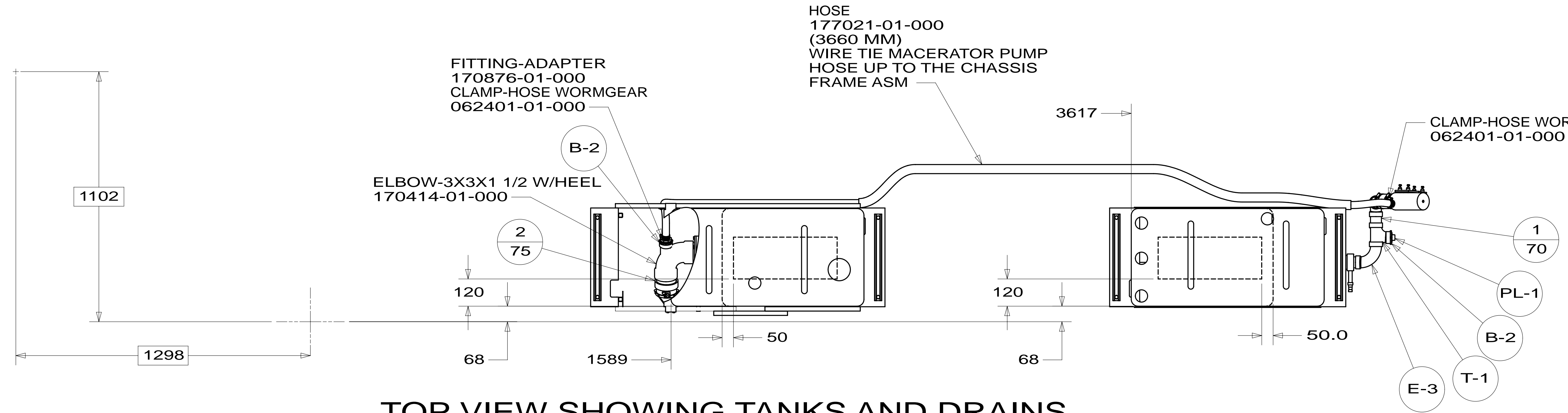
VIEW B



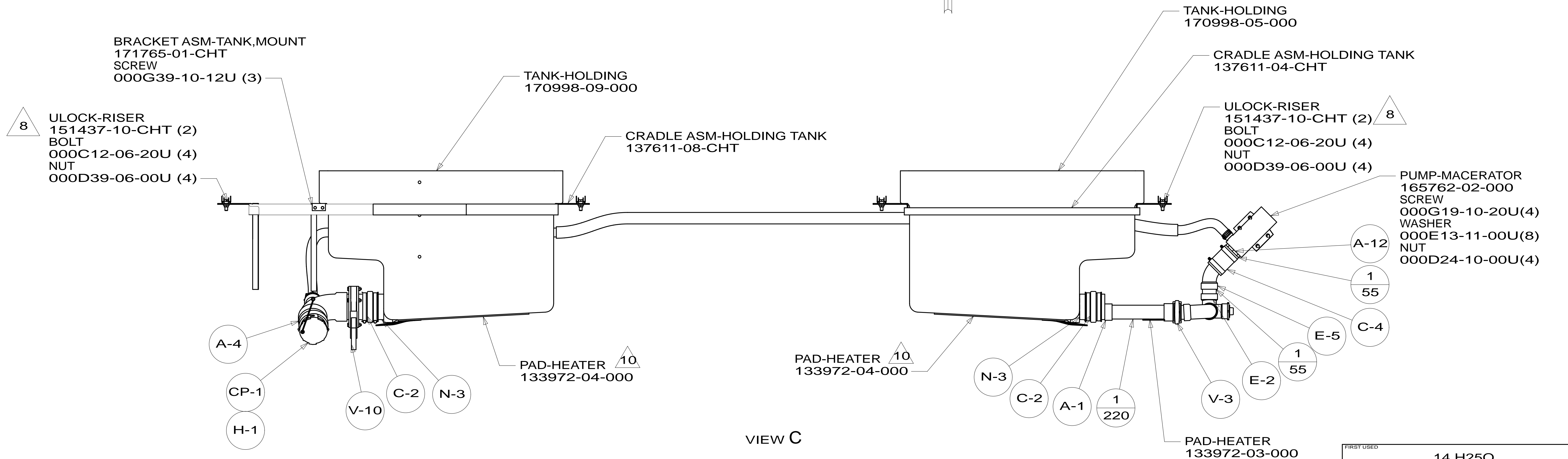
SECTION G-G
 (ROTATED)
 (SHOWN W/OUT CABINETS)

FIRST USED	14 H25Q		
DO NOT SCALE DRAWING			
TITLE: DRAINAGE SYSTEM INSTL			
SHEET 3	PART NO	185505	REV
		1	02-Apr-2014

* 185505 * A



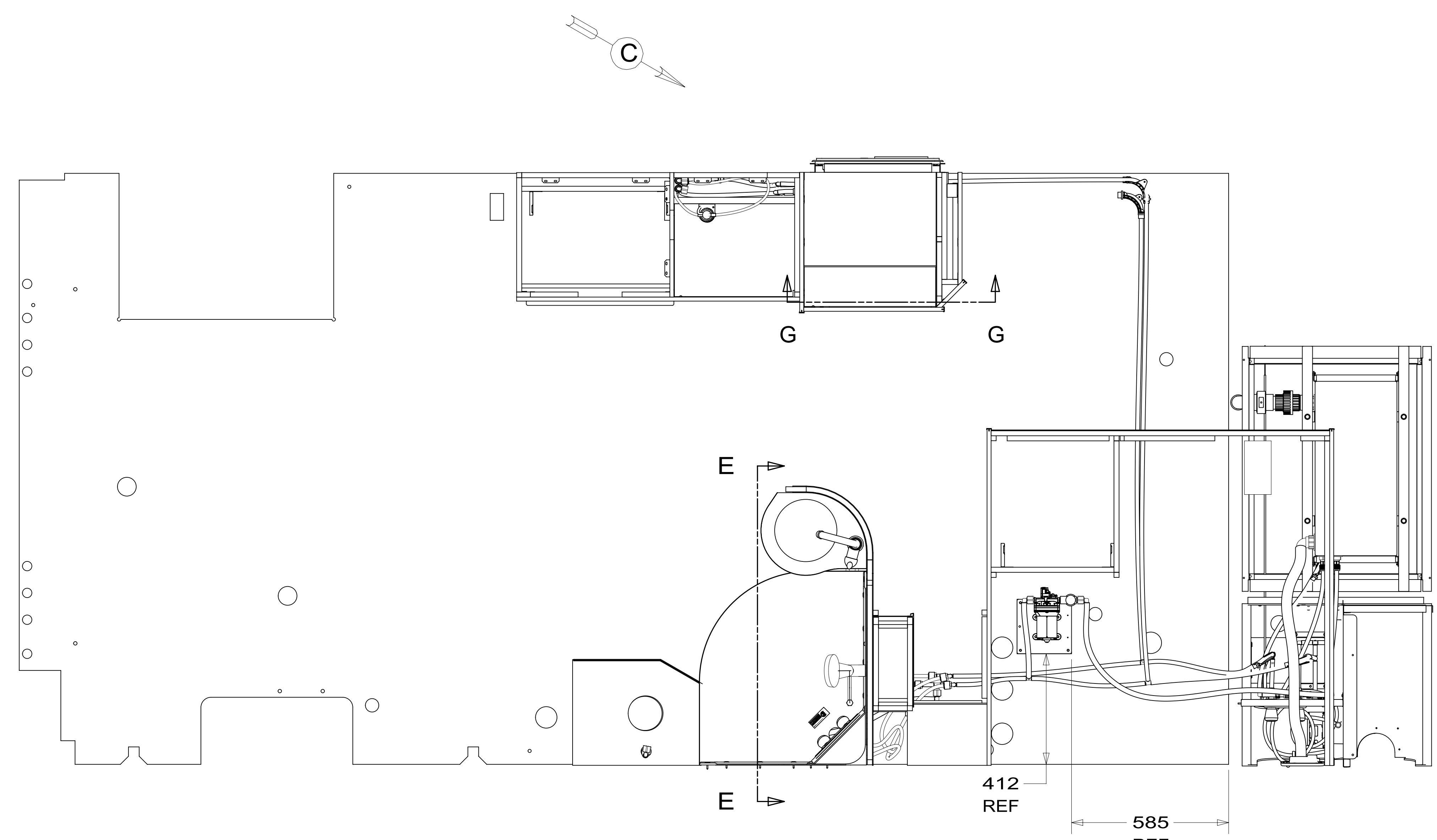
TOP VIEW SHOWING TANKS AND DRAINS



VIEW C

FIRST USED	14 H25Q	
DO NOT SCALE DRAWING		
TITLE: DRAINAGE SYSTEM INSTL		
SHEET 4	PART NO 185505	REV
		1 02-Apr-2014

* 185505 * A



9 LAVATORY FAUCET SPOUT TO BE TURNED 180 DEGREES SO THE ON/OFF HANDLE IS FACING TOWARD THE SHOWER.

- 8. ALL CRIMP FITTINGS TO 1/2" PEX TUBING REQUIRE 1/2" CLAMP 140171-03-000.
- 7. ALL CRIMP FITTINGS TO 5/8" PEX TUBING REQUIRE 5/8" CLAMP 140171-04-000.
- 6 LABEL HOT AND COLD SUPPLY TUBES AND TAPE FITTING TO TUBE BEFORE CABINET SET TO PREVENT MOVEMENT.
- 5 ADD PIPE WRAP (LADDER SCRAP 110157-02-000) INSULATION.
- 4 ADD TEFLON TAPE 010405-02-000.

- 3. ALL TUBING TO BE SECURED AT 1200 INTERVALS MAXIMUM WITH CLAMP 010495-01-000 AND SCREW 000G67-10-12U OR EQUIVALENT.
- 2. TUBING TO BE INSTALLED WITH SUFFICIENT SLOPE TO PROVIDE DRAINAGE TO NEAREST VALVE.
- 1. PLASTIC FITTINGS TO BE SEALED WITH SEALANT 084456-01-000.

NOTES:

- 53E WATER SYS WINTERIZATION PKG
- 29B WATER PURIFIER
- 64R EXTERIOR WASH STATION

WINNEBAGO INDUSTRIES, INC. COPYRIGHT 2014

DFT-ORIG	ORIG. DATE
CHKR	ALL DIMENSIONS ARE IN MILLIMETERS
P.E.	
M.E.	FIRST USED
DSNR	13 H25Q

UNSPECIFIED TOLERANCES ARE:

WHOLE DIM (X)	: 3
ONE-PLACE (X.X)	: 1.5
TWO-PLACE (X.XX)	: 0.50
ANGLE	: 1°

THIRD ANGLE PROJECTION

DO NOT SCALE DRAWING REFER TO ES0018 FOR FASTENER TIGHTENING GUIDELINES

TITLE: **WATER SYSTEM INSTL**

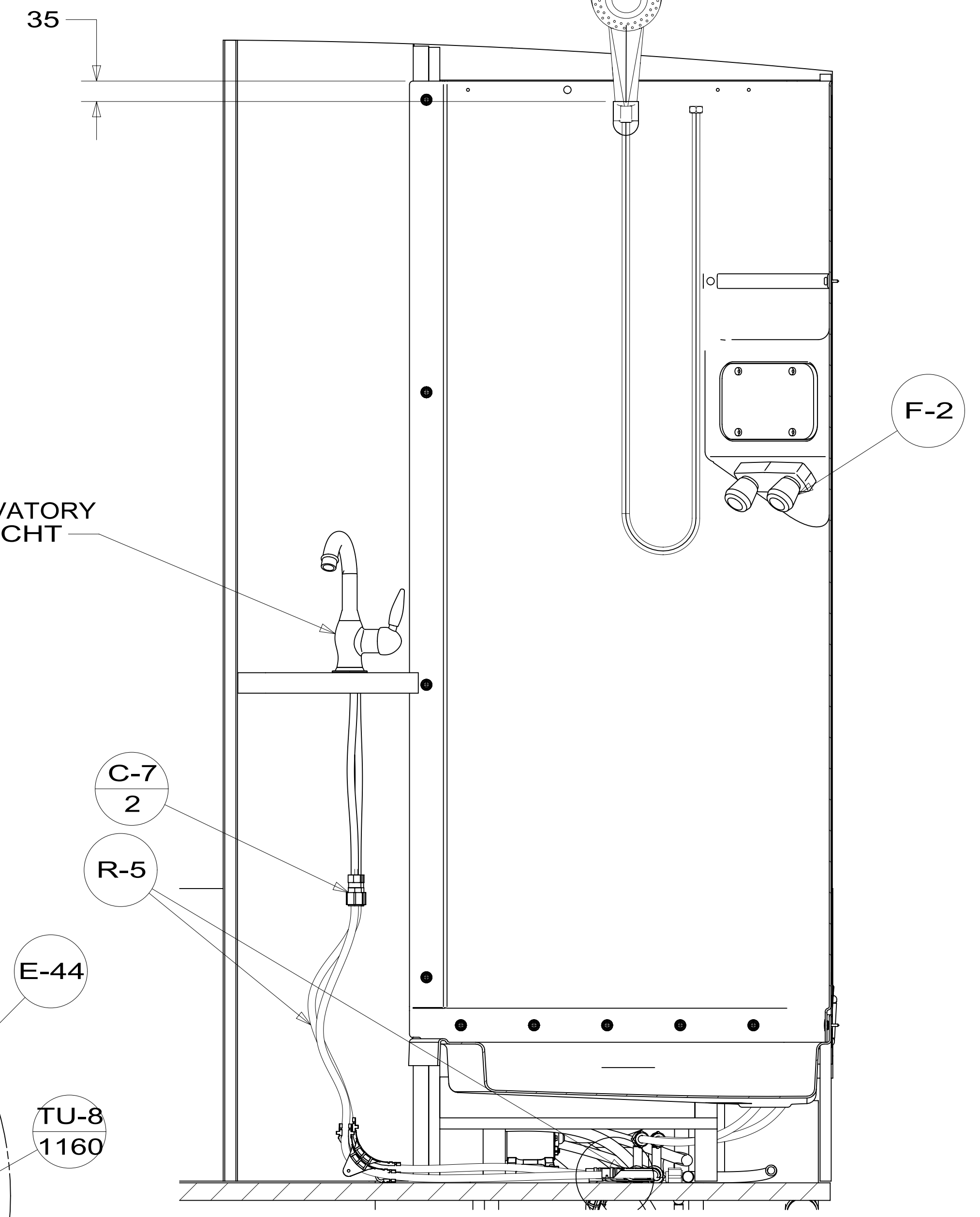
SHEET 1 OF 5 PART NO **182160** REV

REF: 1 25-Feb-2015

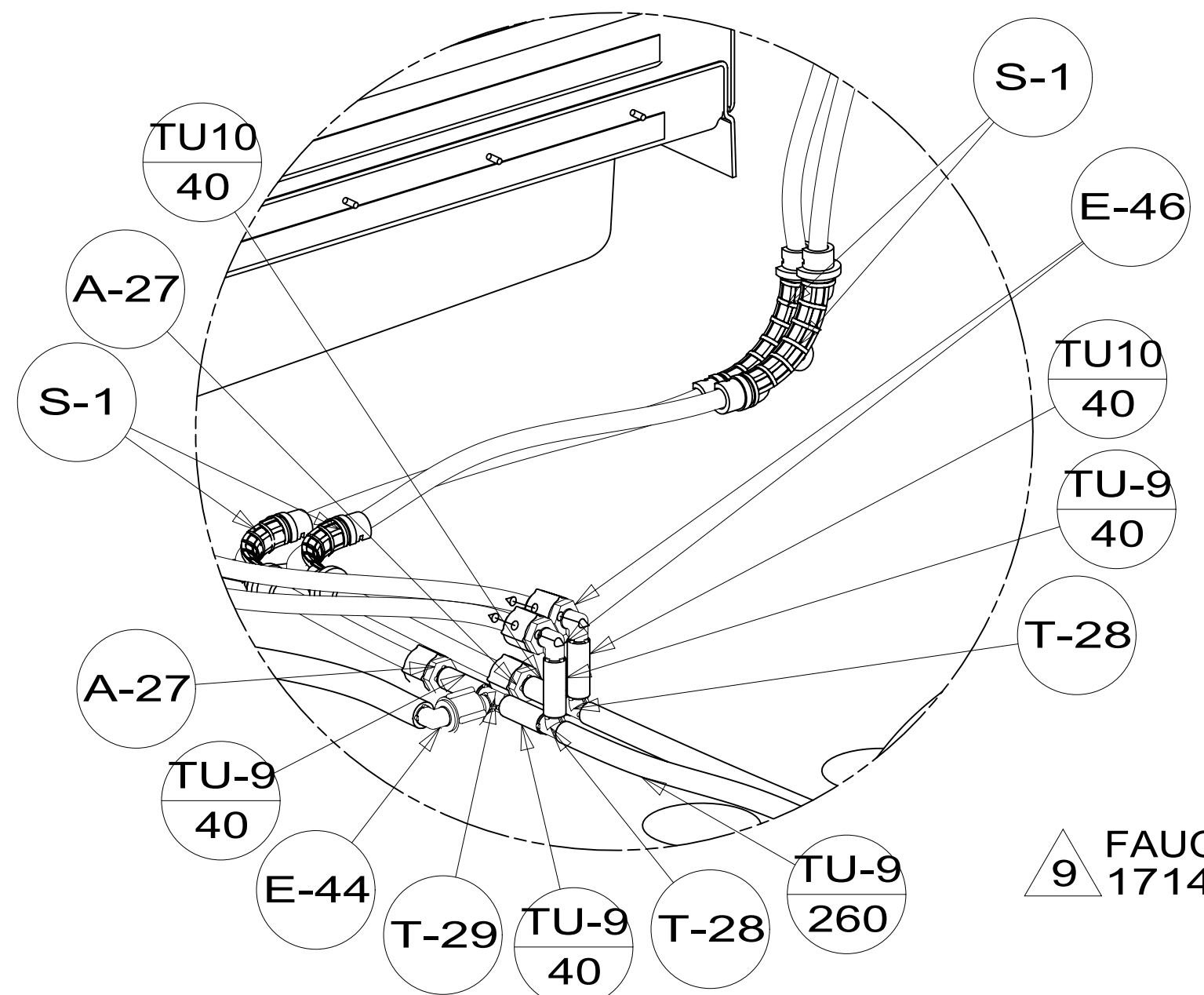
FOR WATER CALLOUTS SEE DWG NO 116230-01-000

*182160 *A

SHOWER HEAD-W/HOSE & BRKT
187372-01-CHT

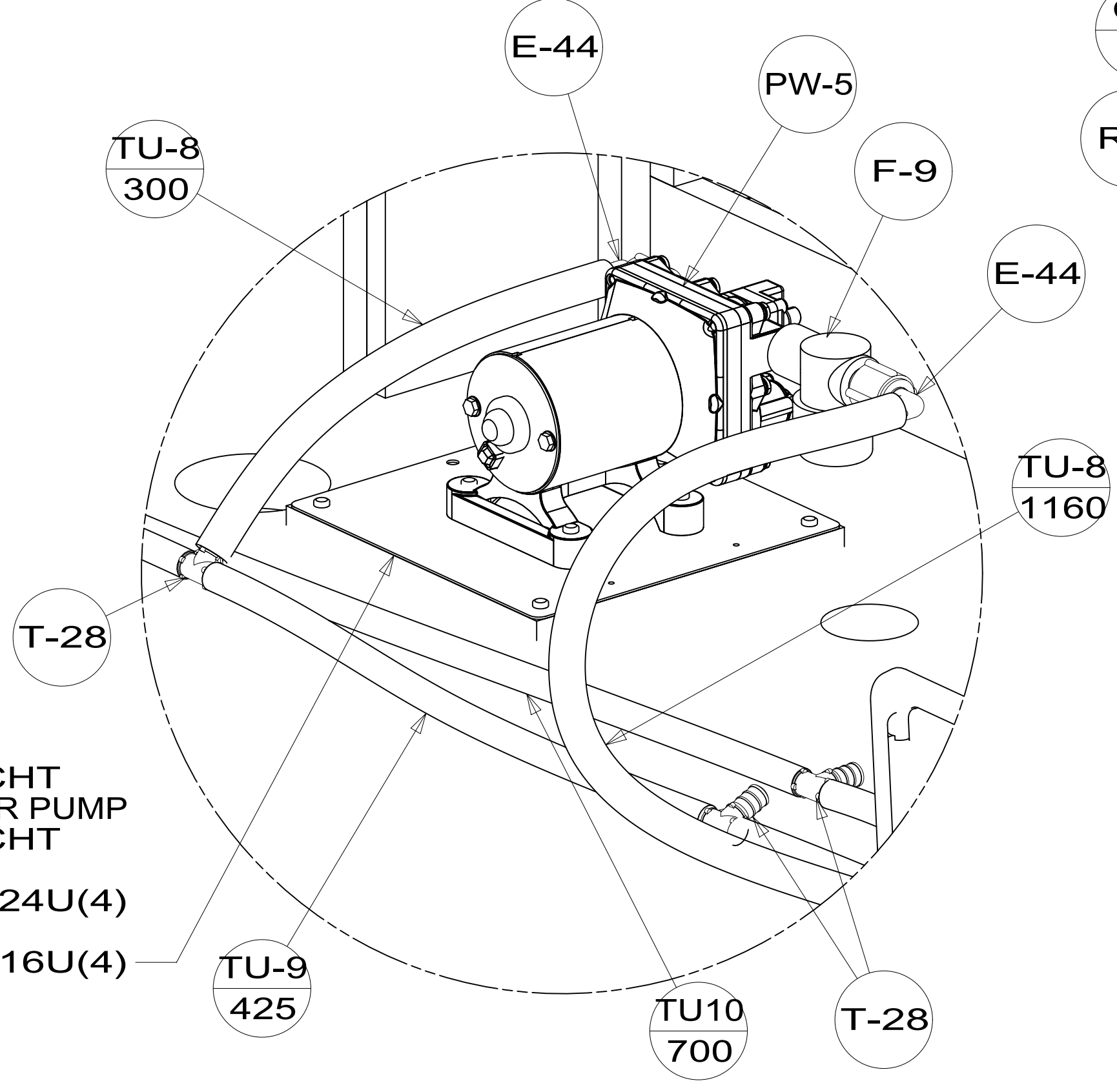


SECTION E-E



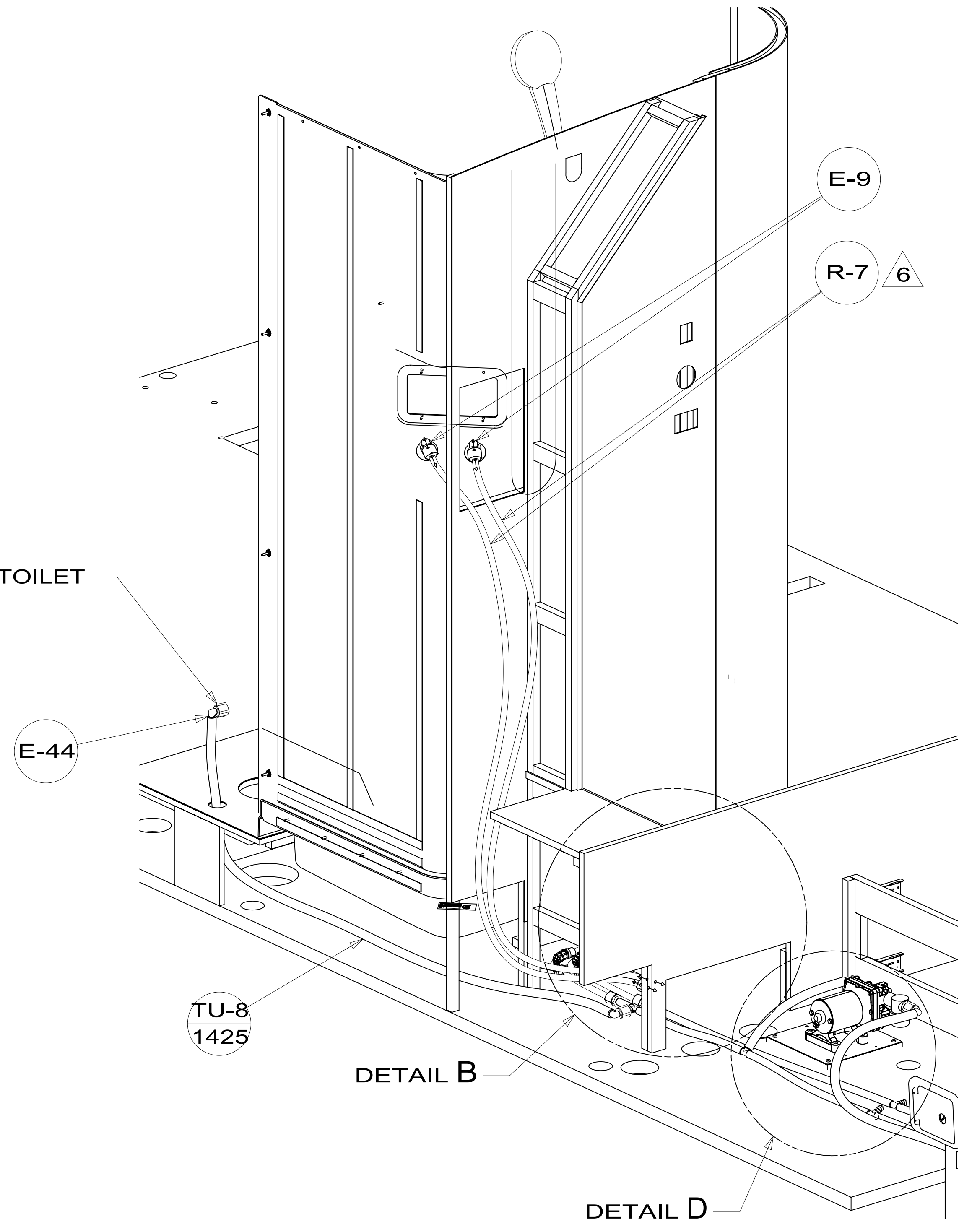
DETAIL B
(SHOWN W/OUT CABINETS)

FAUCET-LAVATORY
9 171481-01-CHT



DETAIL D

FOAM-PAD
140364-01-CHT
PANEL-WATER PUMP
149477-08-CHT
SCREW
000G39-08-24U(4)
SCREW
000G39-08-16U(4)

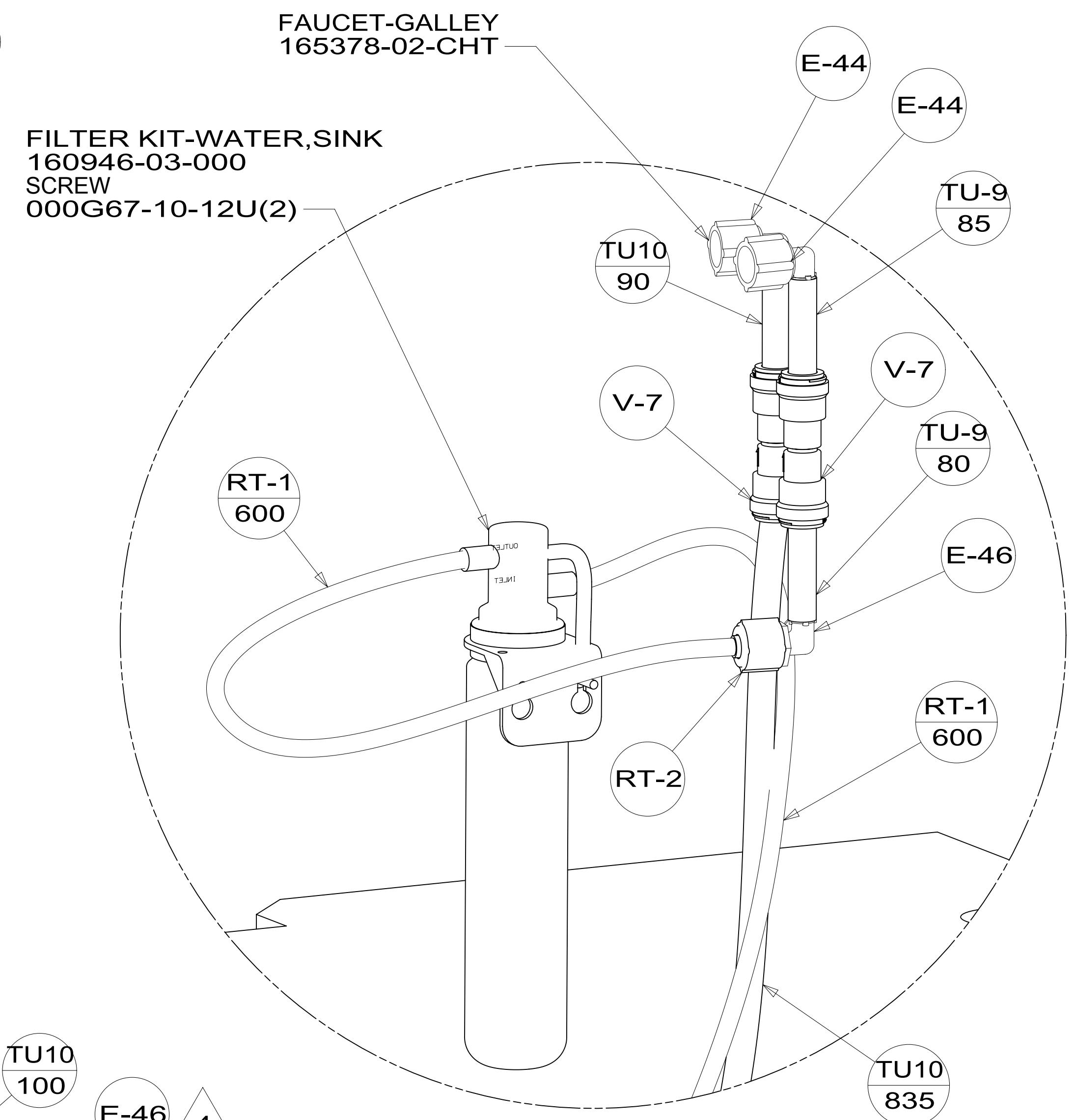
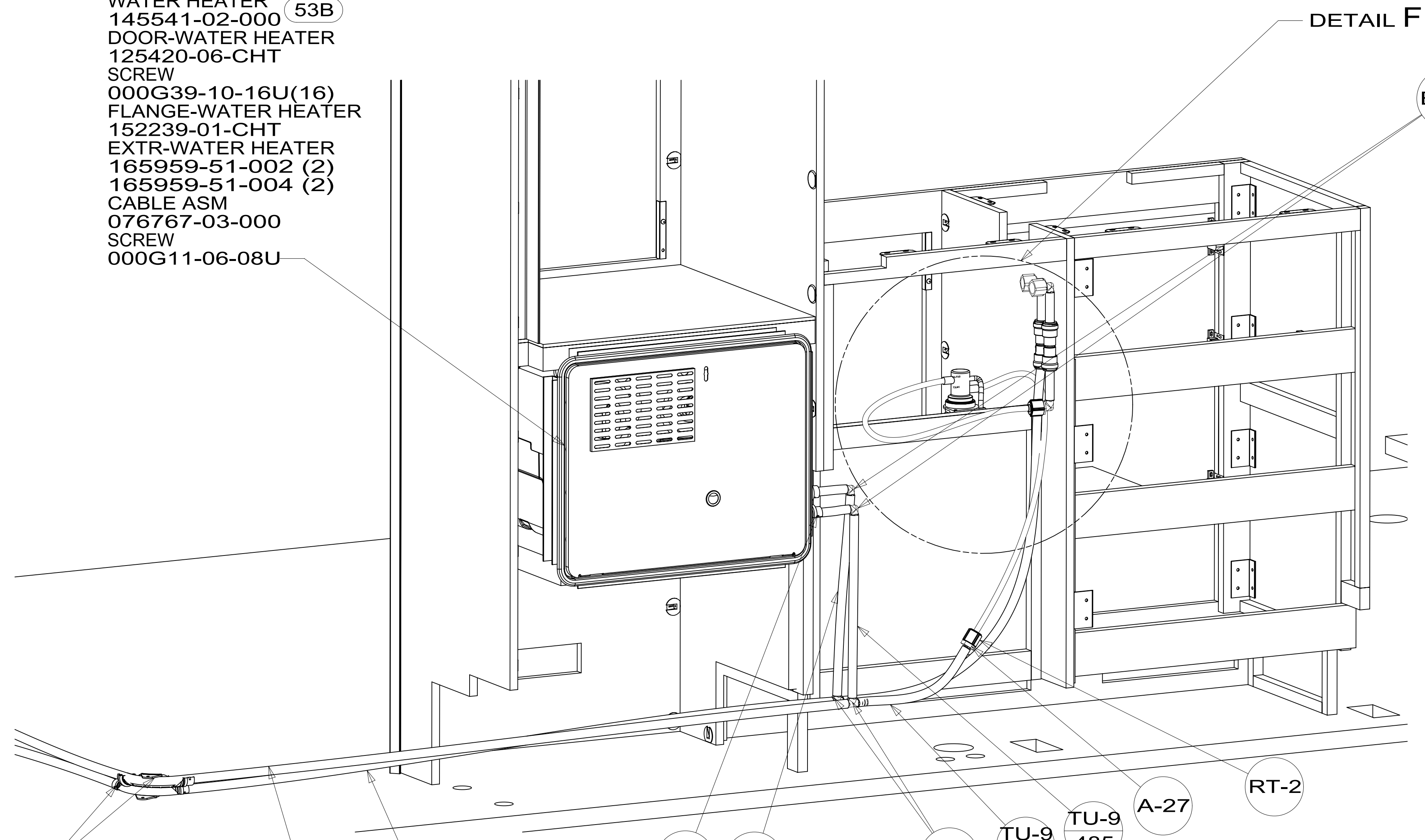


VIEW A

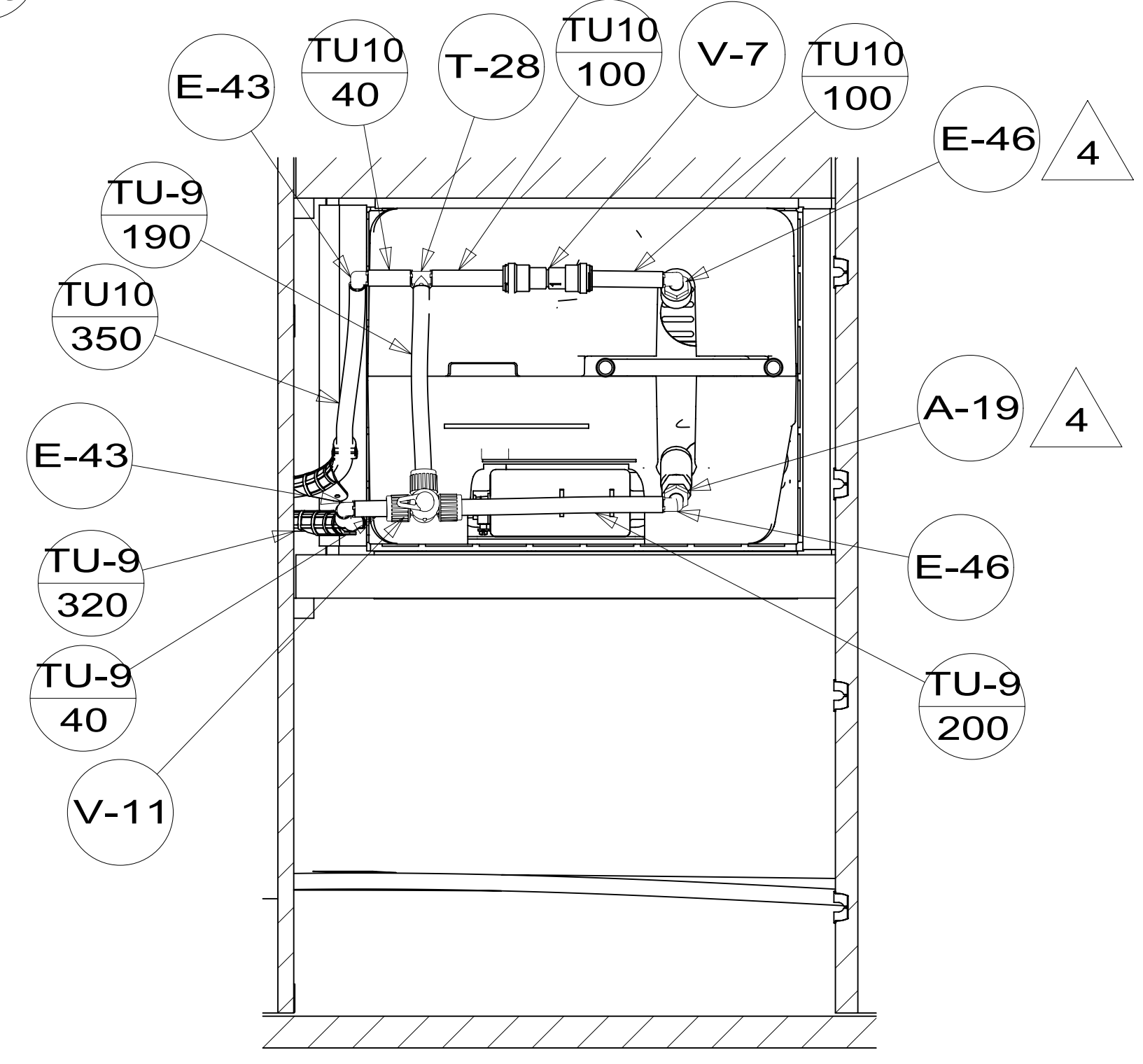
FIRST USED	13 H25Q	
DO NOT SCALE DRAWING		
TITLE:	WATER SYSTEM INSTL	
SHEET 2	PART NO 182160	REV
1 25-Feb-2015		

182160

- WATER HEATER 145541-02-000 (53B)
- DOOR-WATER HEATER 125420-06-CHT
- SCREW 000G39-10-16U(16)
- FLANGE-WATER HEATER 152239-01-CHT
- EXTR-WATER HEATER 165959-51-002 (2)
- 165959-51-004 (2)
- CABLE ASM 076767-03-000
- SCREW 000G11-06-08U



VIEW C



SECTION G-G

DETAIL F (SHOWN W/OUT CABINETS)

FIRST USED	13 H25Q	
TITLE:	DO NOT SCALE DRAWING	
SHEET 3	PART NO	182160
	REV	1
25-Feb-2015		

182160

INSULATION-DRAINAGE COMPT
168508-30-000(2)

INSULATION-DRAINAGE COMPT
168508-26-000

INSULATION-DRAINAGE COMPT
168508-31-000

TANK
109606-11-000
STRAP-TANK, WATER
153148-11-CHT(2)
WASHER
000E13-18-00U(4)
NUT
000D39-06-00U(8)

TU-9
900

TU-9
655

PANEL-ELECTRICAL
151707-06-CHT
SCREW
000G39-08-08U(2)

TO PUMP

H

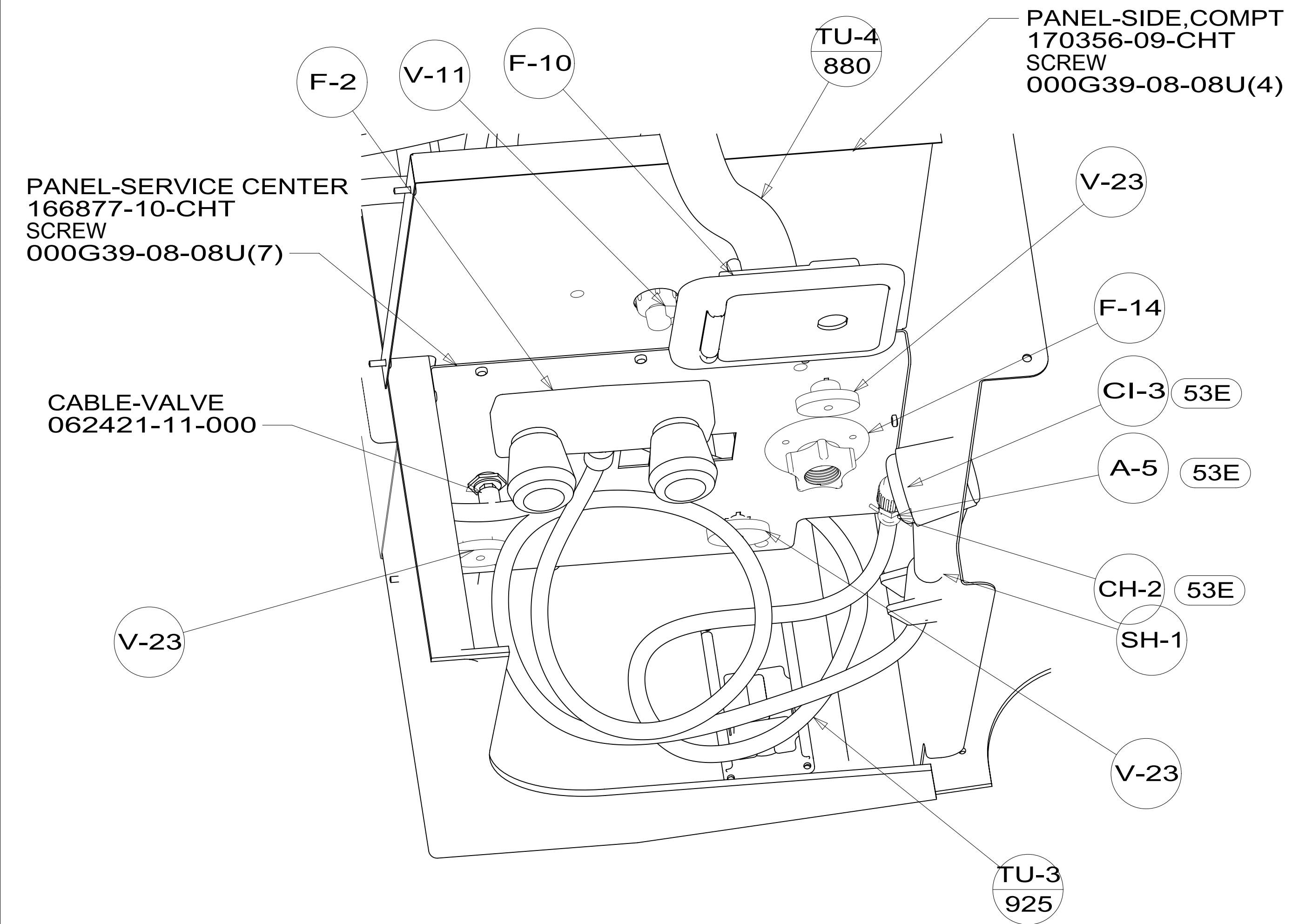
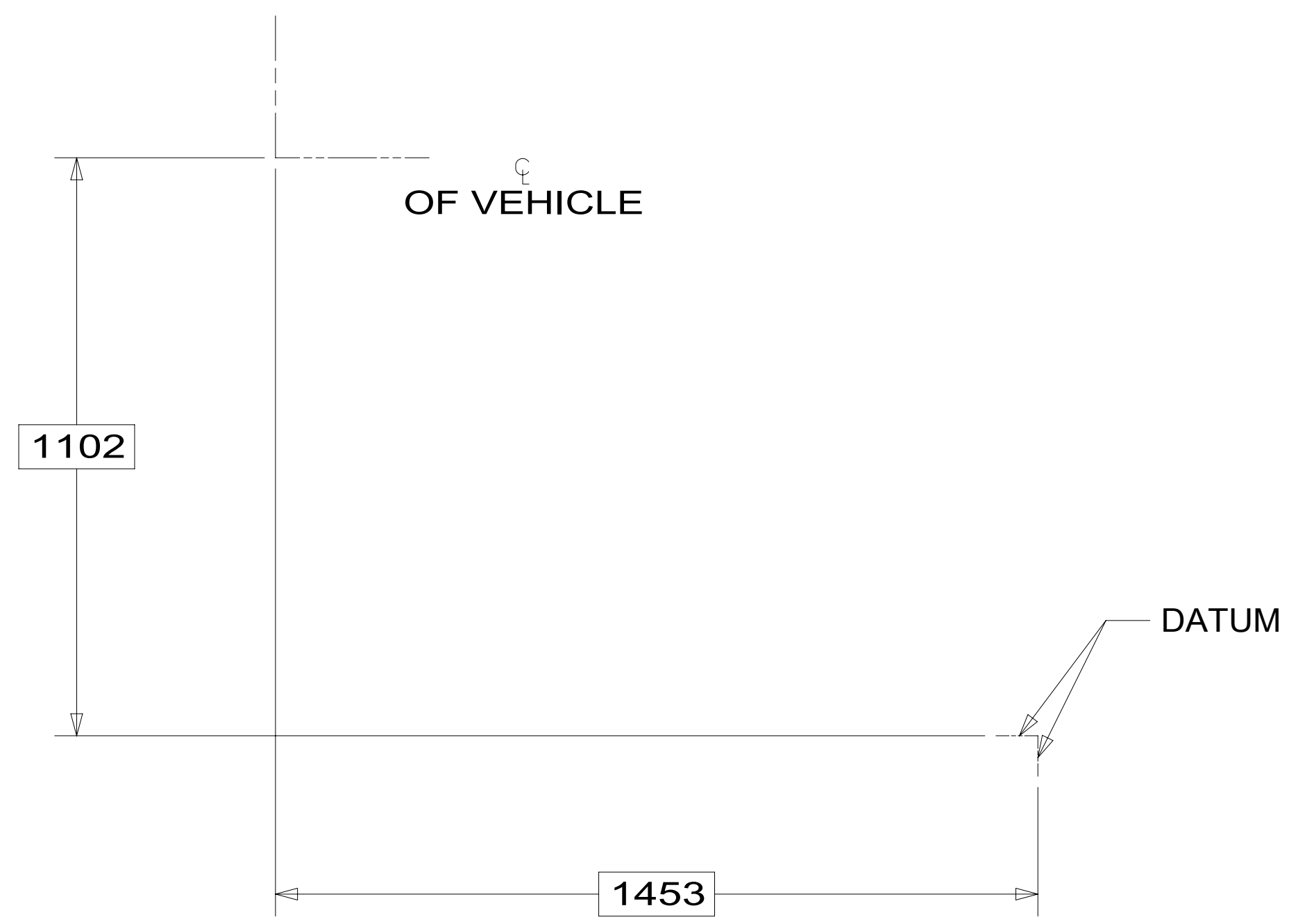
SHOWING TANKS AND COMPTS UNDER FLOOR

BRACKET-FORMED
171766-02-CHT(2)
BOLT
000G42-04-12U(4)

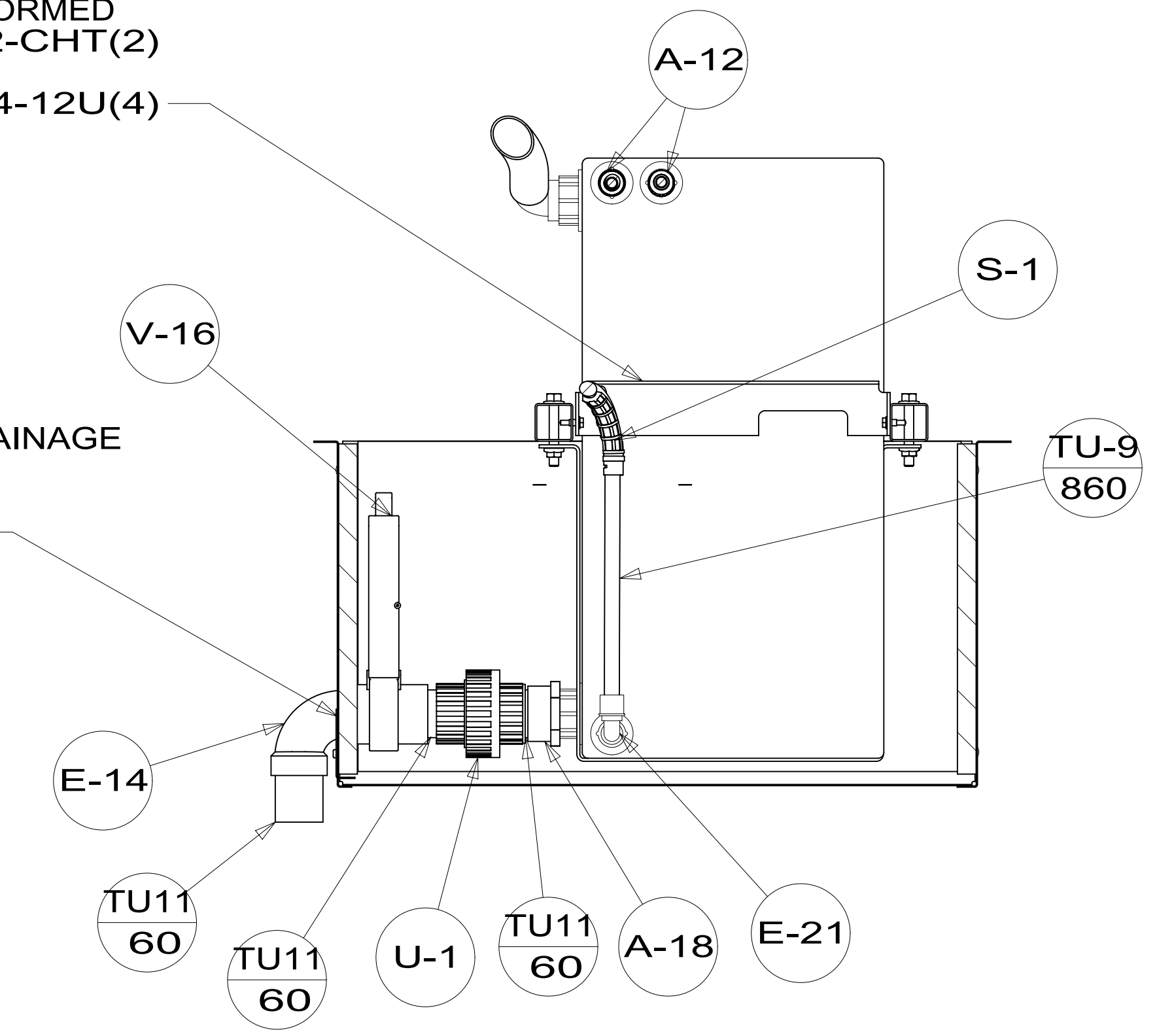
PANEL-CLOSEOUT, DRAINAGE
151869-04-CHT
SCREW
000G39-08-08U(2)

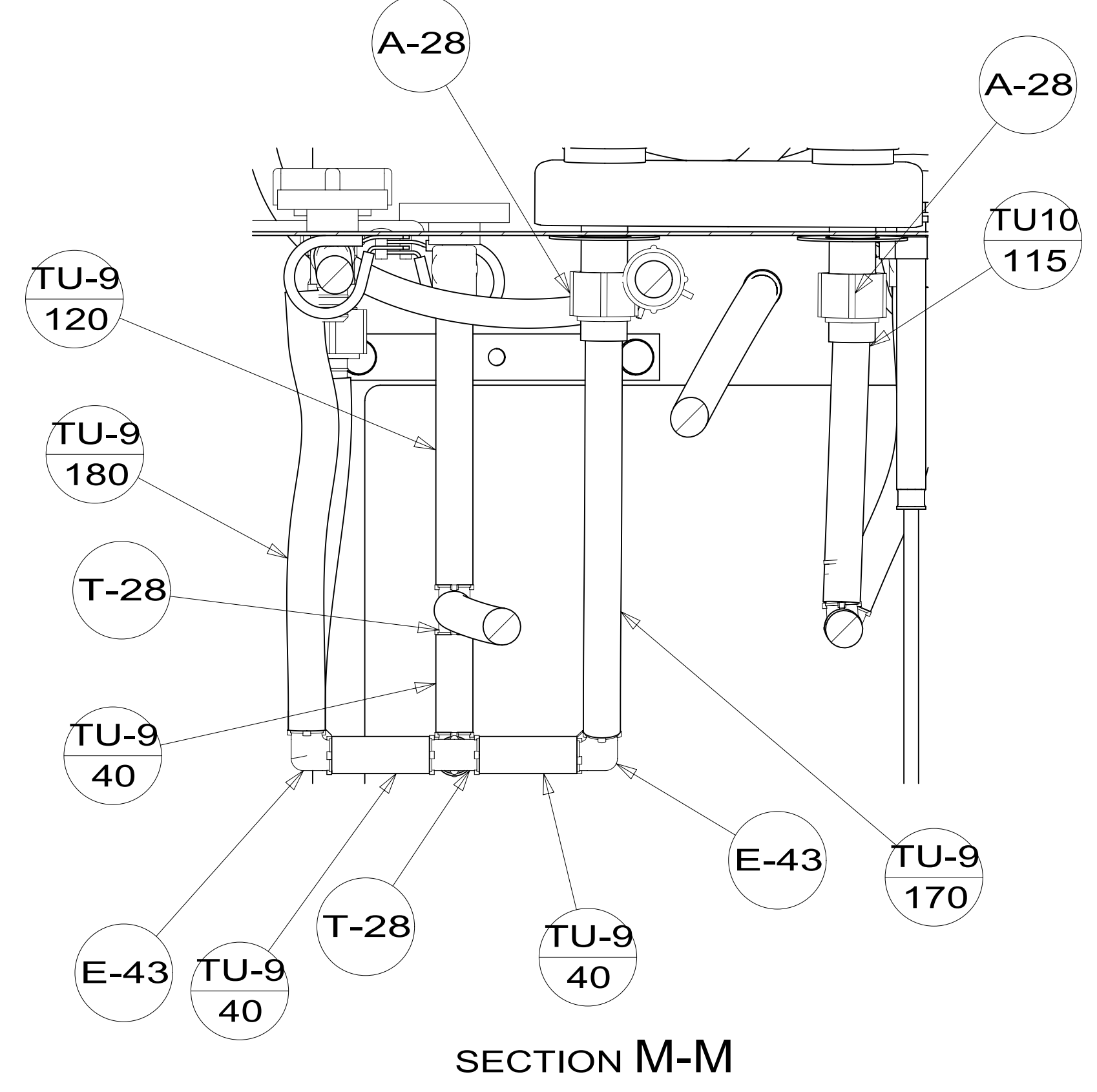
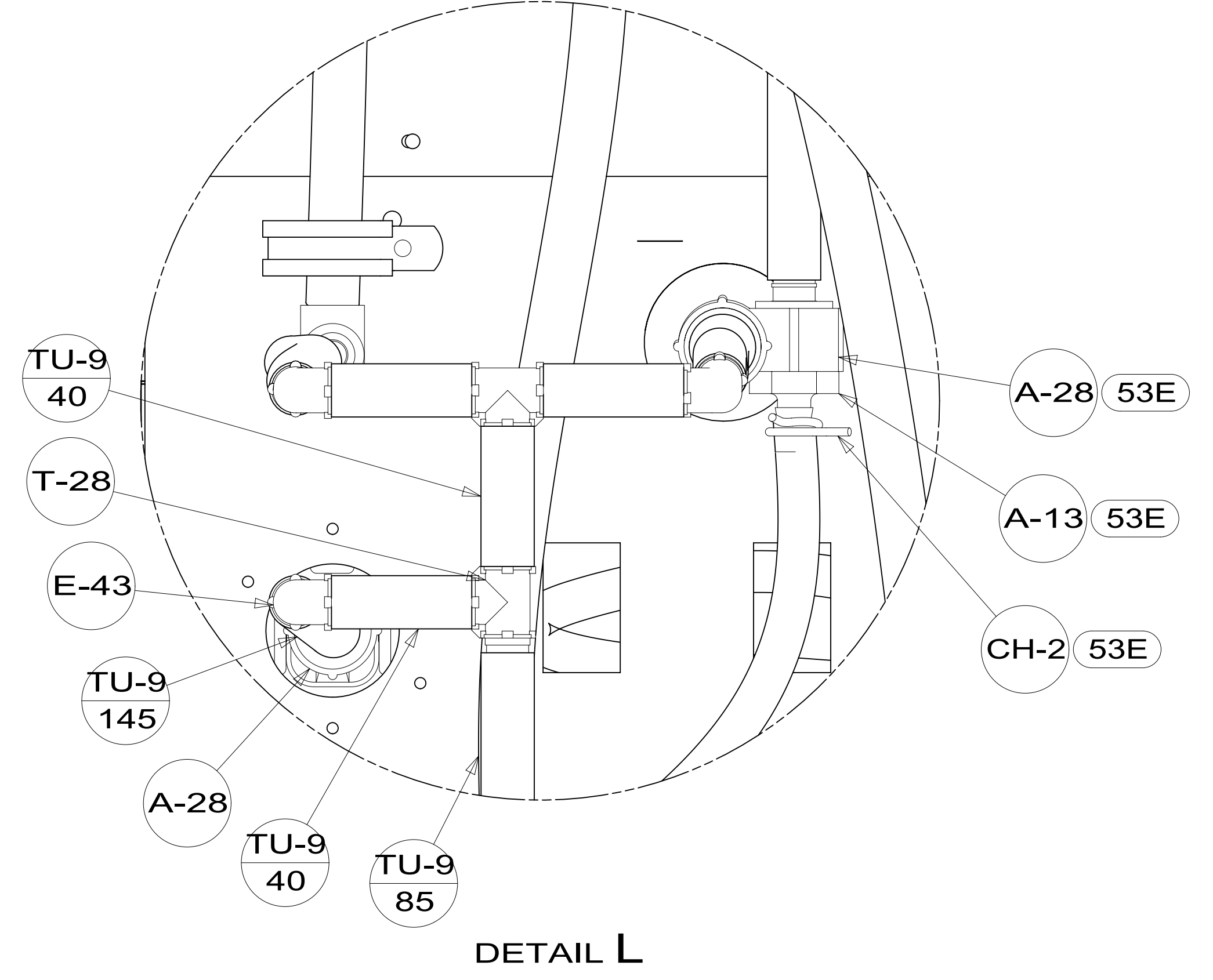
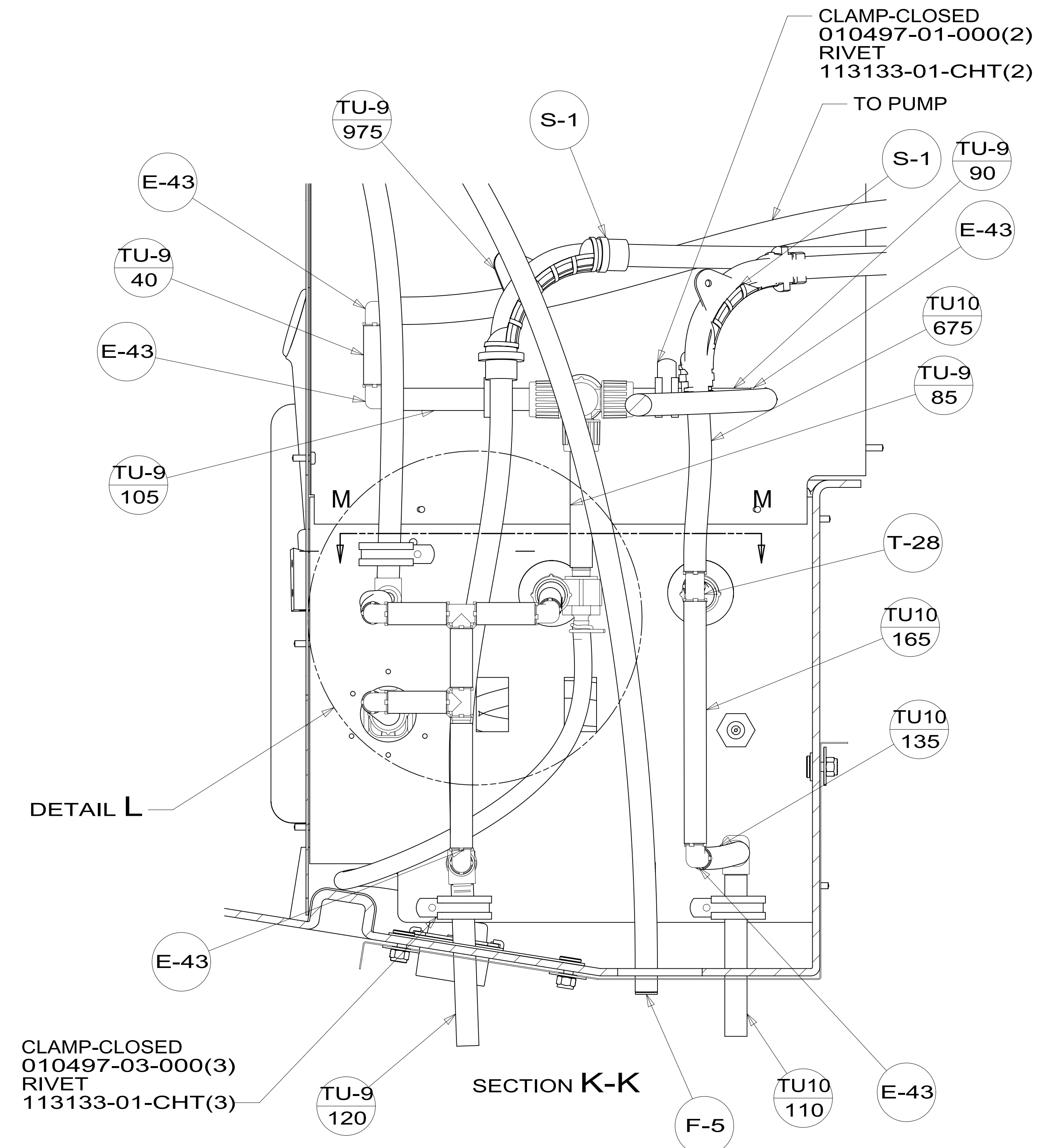
SECTION J-J

FIRST USED	13 H25Q
TITLE:	DO NOT SCALE DRAWING
	WATER SYSTEM INSTL
SHEET 4	PART NO 182160 REV
	1 25-Feb-2015



VIEW H





FIRST USED	13 H25Q		
TITLE:	DO NOT SCALE DRAWING		
SHEET	5	PART NO	182160
		REV	1
		25-Feb-2015	

182160