

- 12. U-LOCKS TO BE INSTALLED BEFORE THE FRAME ASM IS BOLTED DOWN TO THE CHASSIS AND BEFORE THE SEAL PLANES ARE INSTALLED.
- 11. SEE WIRING INSTL-BODY FOR ELECTRICAL CONNECTION.
- 10. PREP THE SURFACE PER MANUFACTURERS INSTRUCTIONS BEFORE APPLYING THE HEATING PAD.
 - 9. SEE DRAWING 061607 FOR INSTALLATION OF GROMMETS.
 - 8. SECURE DRAINAGE PIPES TO CABINET USING WIRE TIE 108046-02-000, AND SCREW 000G67-10-12U AT INTERVALS OF NOT OF NOT MORE THAN 4 FEET APART.
 - 7. SECURE VENT PIPE TO FLOOR WITH CLAMP 062401-02-000 (2), SCREW 000G67-10-12U (2), BRACKET 136878-01-CHT (2).
 - 6. VENT PIPE MUST PROJECT 51 MIN AND 64 MAX ABOVE ROOF FOR PROPER FIT AND FUNCTION. ADD S-1 (116666-01-CHT SEAL-VENT PIPE) AROUND PIPE ON ROOF BEFORE VENT CAP IS INSTALLED.
 - 5. SEAL AROUND SHOWER WITH SILICONE.
 - 4. USE SMOOTH PLUMBERS PUTTY 167459-01-000 TO SEAL STRAINER (0.2 PER STRAINER).
 - 3. ALL PIPE AND FITTINGS TO BE ASSEMBLED WITH SOLVENT 004020-01-000 (USA), 004020-02-000 (CAN)
 - 2. SLOPE OF TRAP ARM MUST BE 6 PER 305 mm.
 - 1. SLOPE OF HORIZONTAL PIPING TO BE MINIMUM OF 3 PER 305 mm.

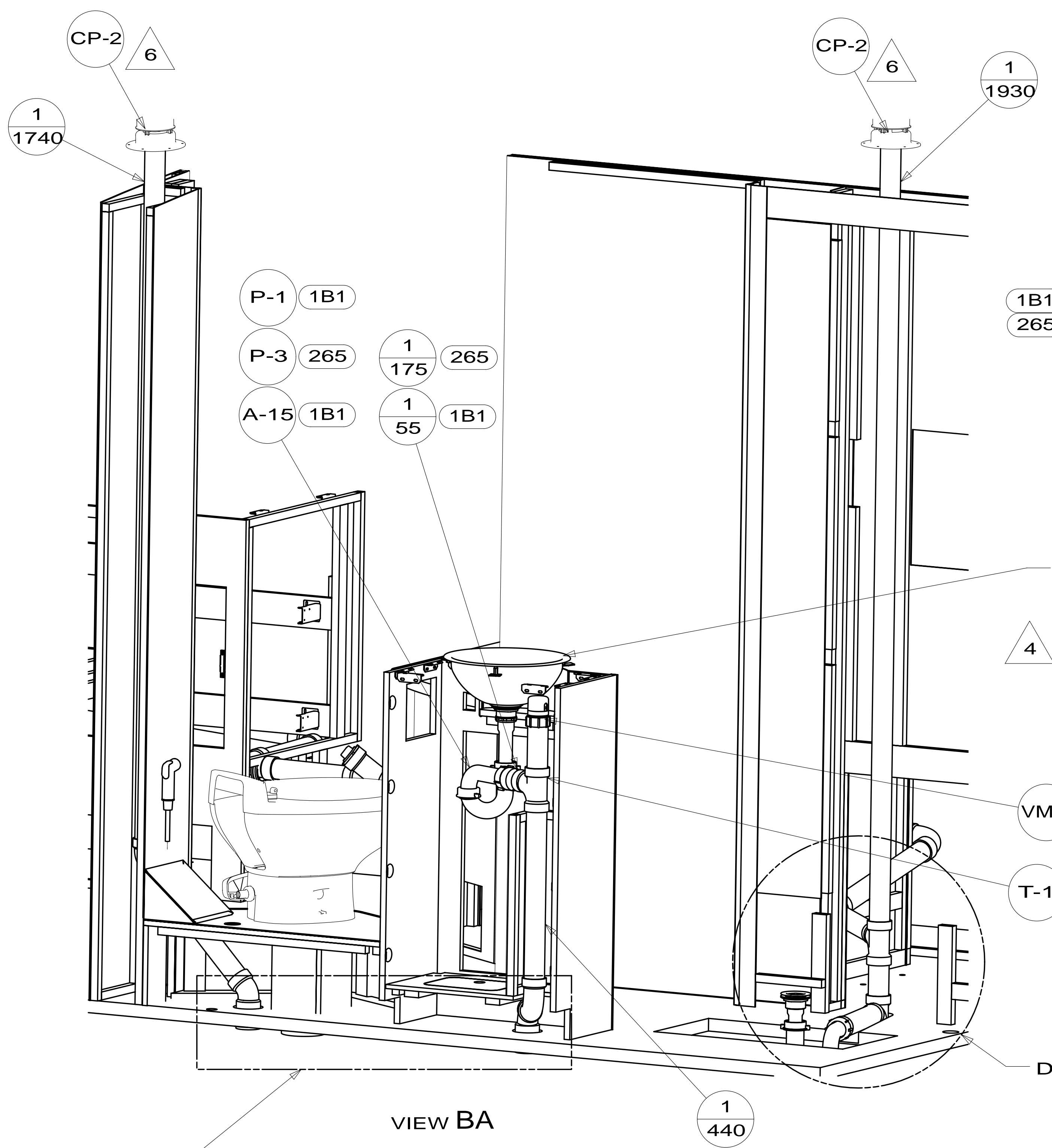
- (23T) DRAINAGE SYSTEM-HEATED
- (265) CODES/STANDARDS-CSA/CMVSS
- (1B1) CODES/STANDARDS USA

WINNEBAGO		COPYRIGHT 2013 WINNEBAGO INDUSTRIES, INC.	
DFT-ORIG	ORIG. DATE	ALL DIMENSIONS ARE IN MILLIMETERS	
CHKR		FIRST USED	
P.E.		14 H25P	
M.E.		UNSPECIFIED TOLERANCES ARE:	
DSNR		WHOLE DIM (X)	: 3
		ONE-PLACE (X.X)	: 1.5
		TWO-PLACE (X.XX)	: 0.50
		ANGLE	: 1°
		THIRD ANGLE PROJECTION	
DO NOT SCALE DRAWING		REFER TO ES0018 FOR FASTENER TIGHTENING GUIDELINES	
TITLE: DRAINAGE SYSTEM INSTL			
SHEET 1 OF 4	PART NO	182310	REV
REF:	1	21-Feb-2013	

FOR
DRAINAGE
CALLOUTS
SEE DWG NO
116229-01-000

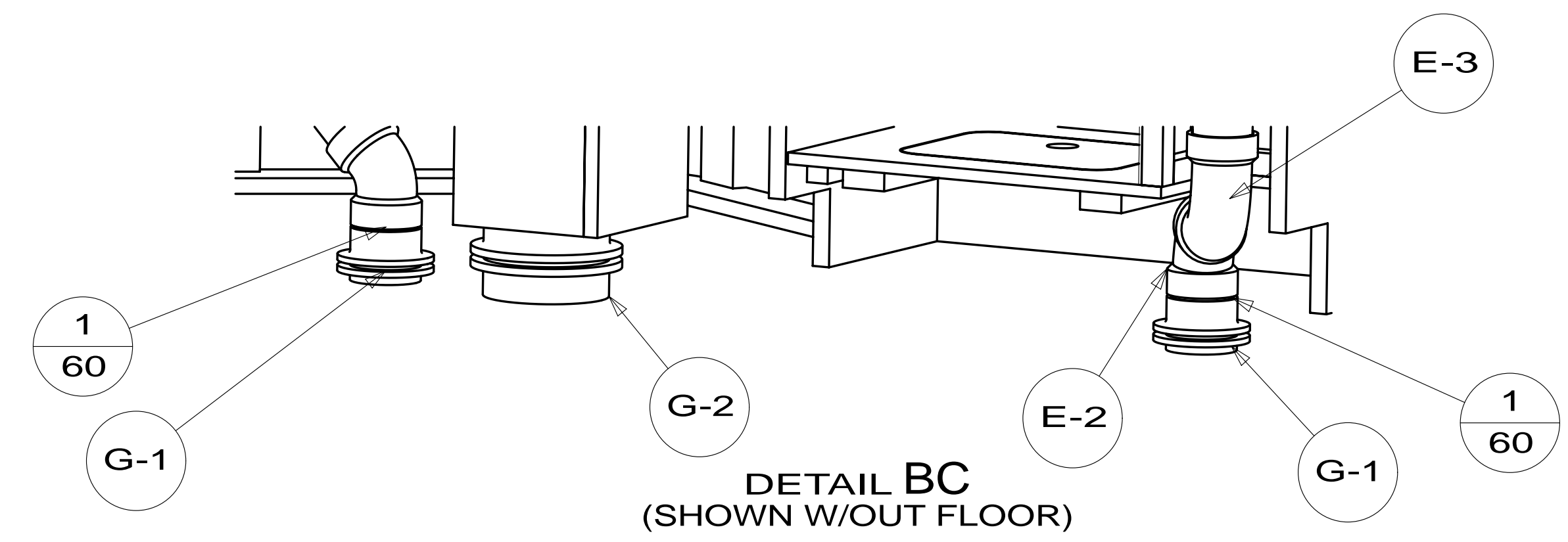
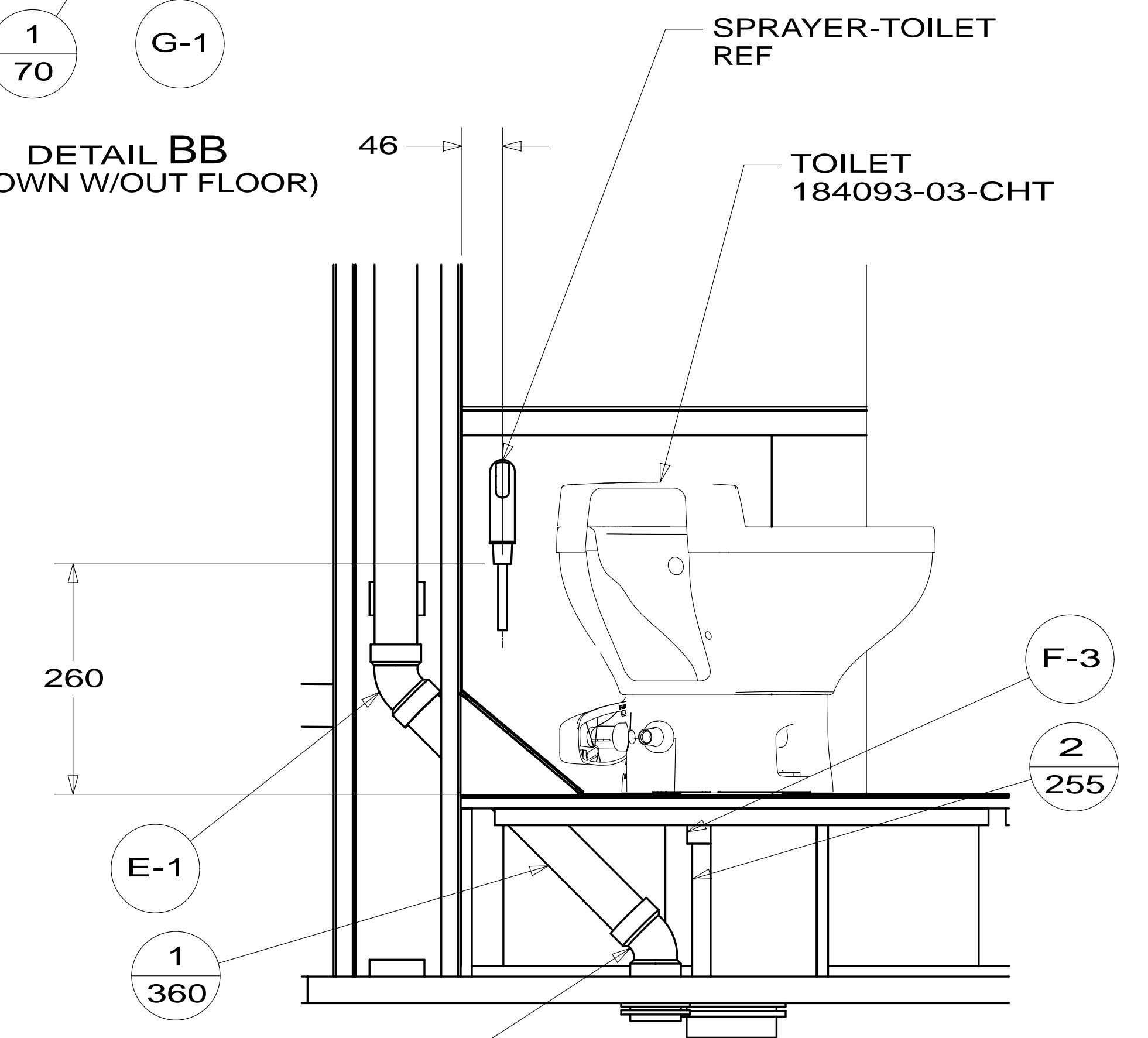
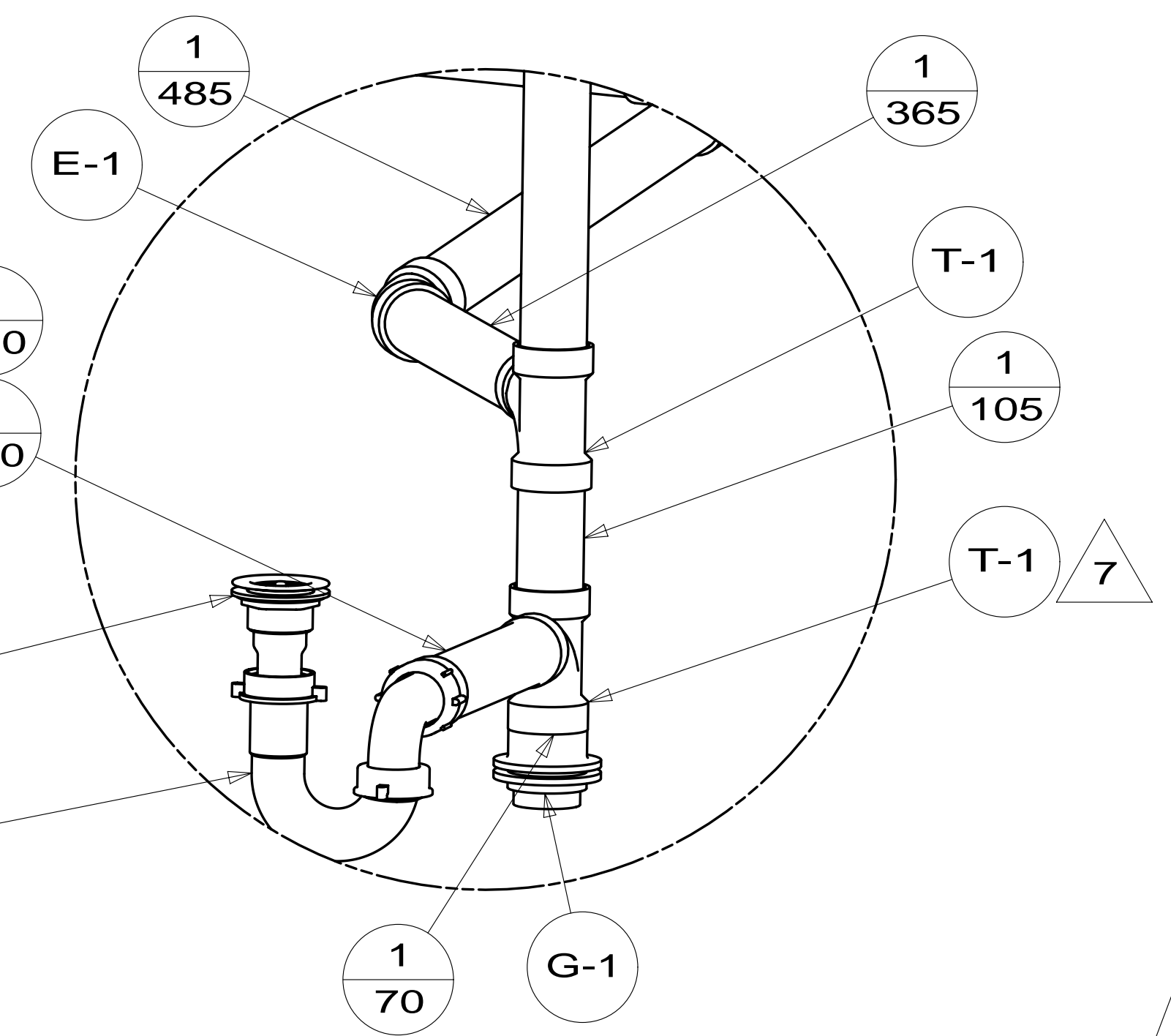
NOTES:

* 182310 * A



- SHOWER INSTL
 147936-01-000
 NUT
 130403-01-000
 WASHER-RUBBER
 127440-02-CHT
 TAIL PIECE
 011069-06-000
 011069-02-000
 STRAINER
 066440-01-000

- SINK-LAVATORY
 151679-01-CHT
 SEAL
 091255-02-000(A/R)
 STRAINER
 163569-01-000
 TAILPIECE
 011069-05-000
 NUT
 130403-01-000
 WASHER
 127440-02-CHT



FIRST USED	14 H25P	
TITLE:	DO NOT SCALE DRAWING	
	DRAINAGE SYSTEM INSTL	
SHEET 2	PART NO 182310	REV
		21-Feb-2013

* 182310 * A

SINK-GALLEY
178817-01-CHT
SEAL
091255-03-000(A/R)
STRAINER
163569-01-000
TAILPIECE
011069-05-000

P-1 1B1

P-3 265

A-15 1B1

1 75 1B1

1 105 265

1 130

E-6

VM-1

T-1

B-2 PL-1

1 1400

E-6

STRAP-CONDUIT
008406-01-000
SCREW
000G67-10-12U (2)

BRACKET-DRAIN
156189-01-CHT
LUMBER
052372-F0-220
SCREW
000G67-10-12U (4)

Y-1

1 240

E-6

1 275

E-6

1 1015

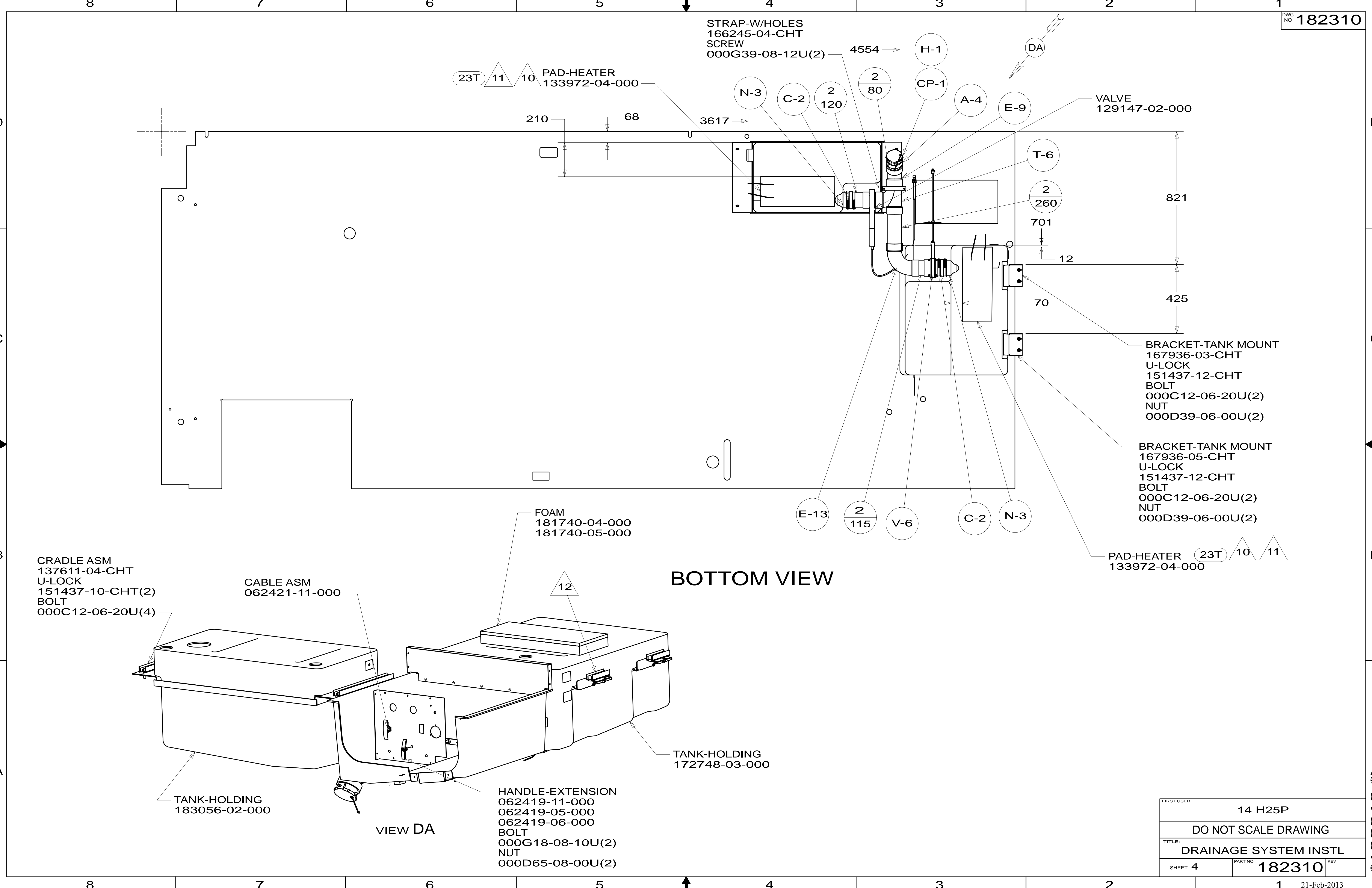
CLAMP
083610-02-000
SCREW
000G67-10-12U

VIEW CA

CLAMP
083610-02-000
SCREW
000G67-10-12U

FIRST USED	14 H25P		
TITLE:	DO NOT SCALE DRAWING		
TITLE:	DRAINAGE SYSTEM INSTL		
SHEET 3	PART NO	182310	REV
			1 21-Feb-2013

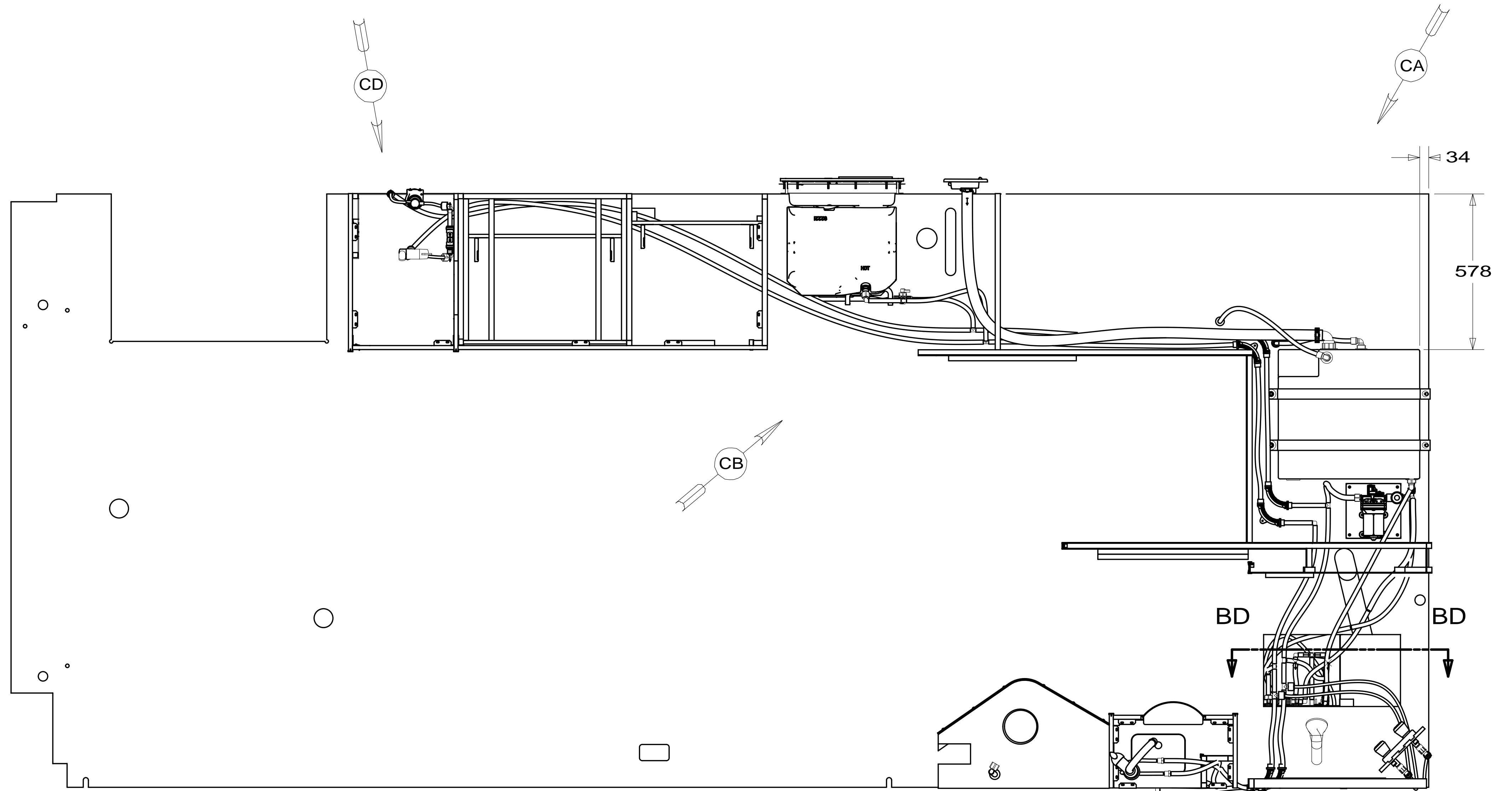
* 182310 * A



BOTTOM VIEW

VIEW DA

FIRST USED	14 H25P	
TITLE:	DO NOT SCALE DRAWING	
TITLE:	DRAINAGE SYSTEM INSTL	
SHEET 4	PART NO 182310	REV



- NOTES:
1. PLASTIC FITTINGS TO BE SEALED WITH SEALANT 084456-01-000.
 2. TUBING TO BE INSTALLED WITH SUFFICIENT SLOPE TO PROVIDE DRAINAGE TO NEAREST VALVE.
 3. ALL TUBING TO BE SECURED AT 1200 INTERVALS MAXIMUM WITH CLAMP 010495-01-000 AND SCREW 000G67-10-12U OR EQUIVALENT.
 4. ADD TEFLON TAPE 010405-02-000.
 5. ADD PIPE WRAP (LADDER SCRAP 110157-02-000) INSULATION.
 6. LABEL HOT AND COLD SUPPLY TUBES AND TAPE FITTING TO TUBE BEFORE CABINET SET TO PREVENT MOVEMENT.
 7. ALL CRIMP FITTINGS TO 5/8" PEX TUBING REQUIRE 5/8" CLAMP 140171-04-000.
 8. ALL CRIMP FITTINGS TO 1/2" PEX TUBING REQUIRE 1/2" CLAMP 140171-03-000.
 9. INSTALL BYPASS PLUG FOR SYSTEM TESTING AND SHIPPING.
 10. MOUNT TO COACH FLOOR PRIOR TO INSTALLING ON FLOOR OF CHASSIS.

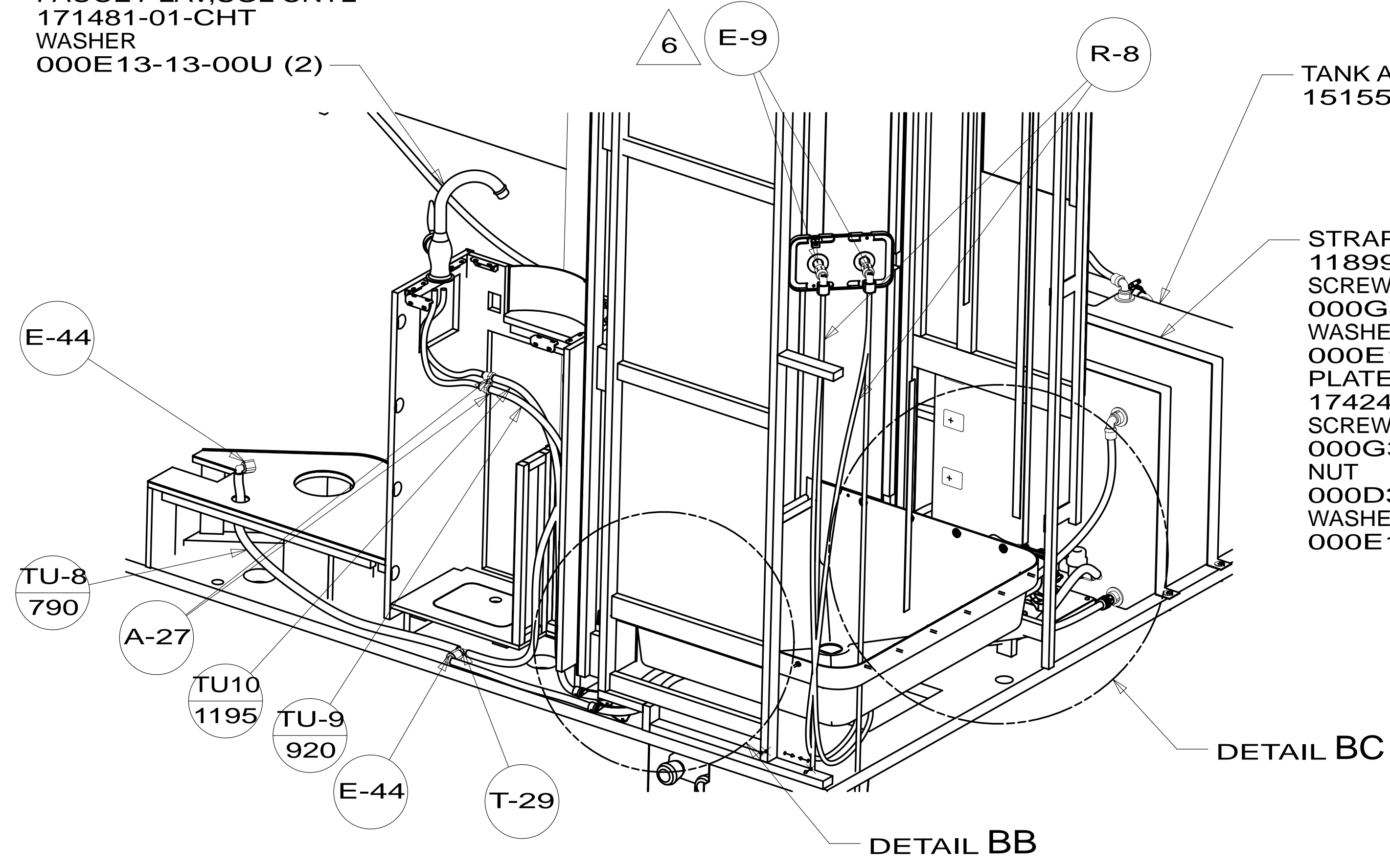
- 53B WTR HTR-6 GAL ELEC/LP/GAS
- 26B WATER PURIFIER
- 501 WATER PURIFIER WITHOUT
- 64R EXTERIOR WASH STATION

FOR WATER CALLOUTS SEE DWG NO 116230-01-000

		COPYRIGHT 2013 WINNEBAGO INDUSTRIES, INC.	
DFT-ORIG	ORIG. DATE	ALL DIMENSIONS ARE IN MILLIMETERS	
CHKR		ALL DIMENSIONS ARE IN MILLIMETERS	
P.E.		ALL DIMENSIONS ARE IN MILLIMETERS	
M.E.	FIRST USED	14 H25P	
DSNR		14 H25P	
UNSPECIFIED TOLERANCES ARE:		MATERIAL:	
WHOLE DIM (X)	: 3		
ONE-PLACE (X.X)	: 1.5		
TWO-PLACE (X.XX)	: 0.50		
ANGLE	: 1°		
THIRD ANGLE PROJECTION			
DO NOT SCALE DRAWING		REFER TO ES0018 FOR FASTENER TIGHTENING GUIDELINES	
TITLE: WATER SYSTEM INSTL			
SHEET 1 OF 4	PART NO 182317	REV	
REF:	1	12-Apr-2013	

* 182317 * A

FAUCET-LAV, SGL CNTL
171481-01-CHT
WASHER
000E13-13-00U (2)



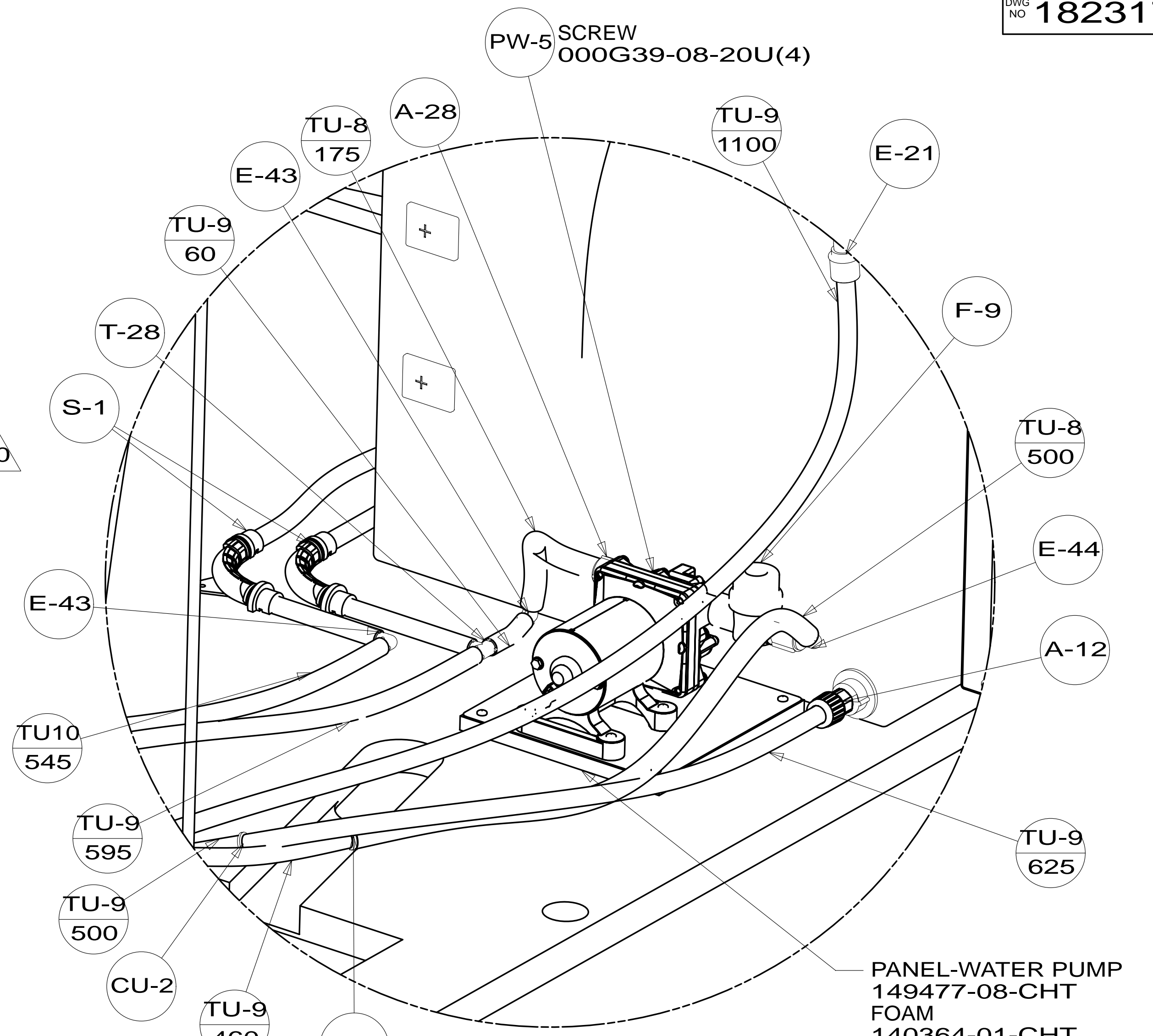
TANK ASM-WATER
151550-11-000

STRAP-TANK, WATER
118994-22-CHT (2)
SCREW
000G42-04-24U (2)
WASHER
000E13-16-00U (2)
PLATE ASM
174241-04-CHT
SCREW
000G39-10-08U(2)
NUT
000D39-05-00U(2)
WASHER
000E13-22-00U(2)

DETAIL BC

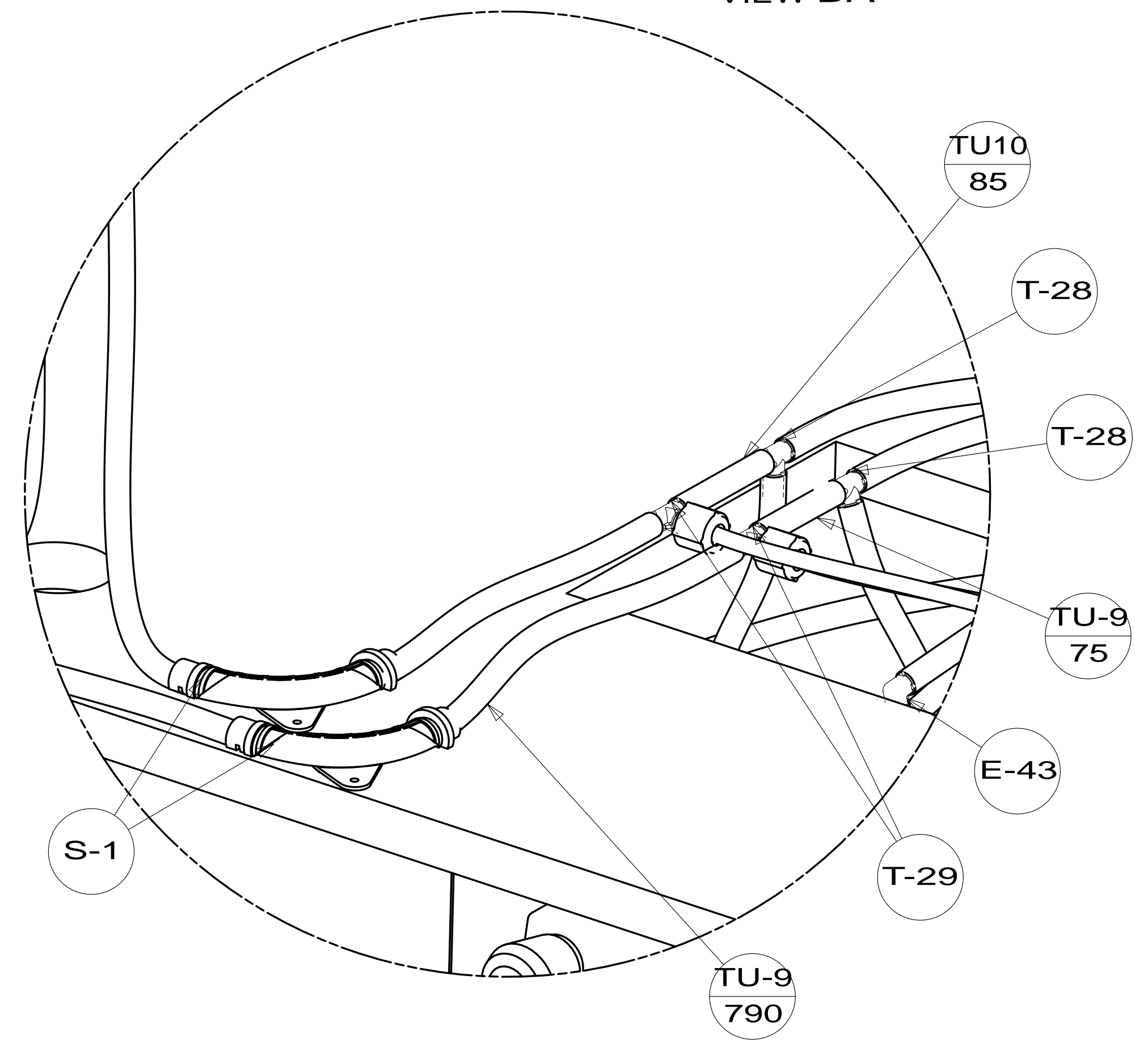
DETAIL BB

VIEW BA

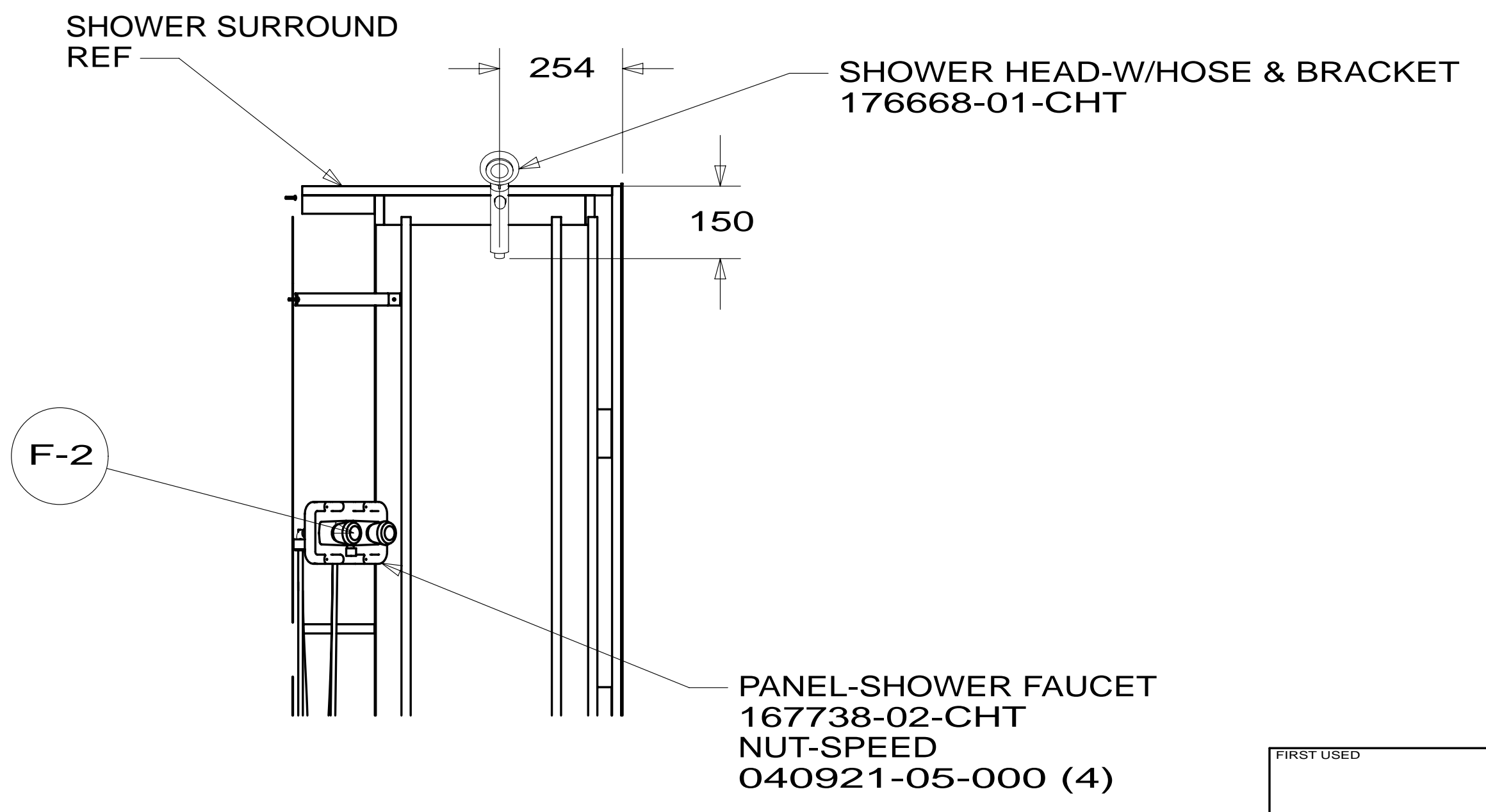


PANEL-WATER PUMP
149477-08-CHT
FOAM
140364-01-CHT
SCREW
000G39-08-16U (4)

DETAIL BC
(SHOWN W/OUT CABINETS)



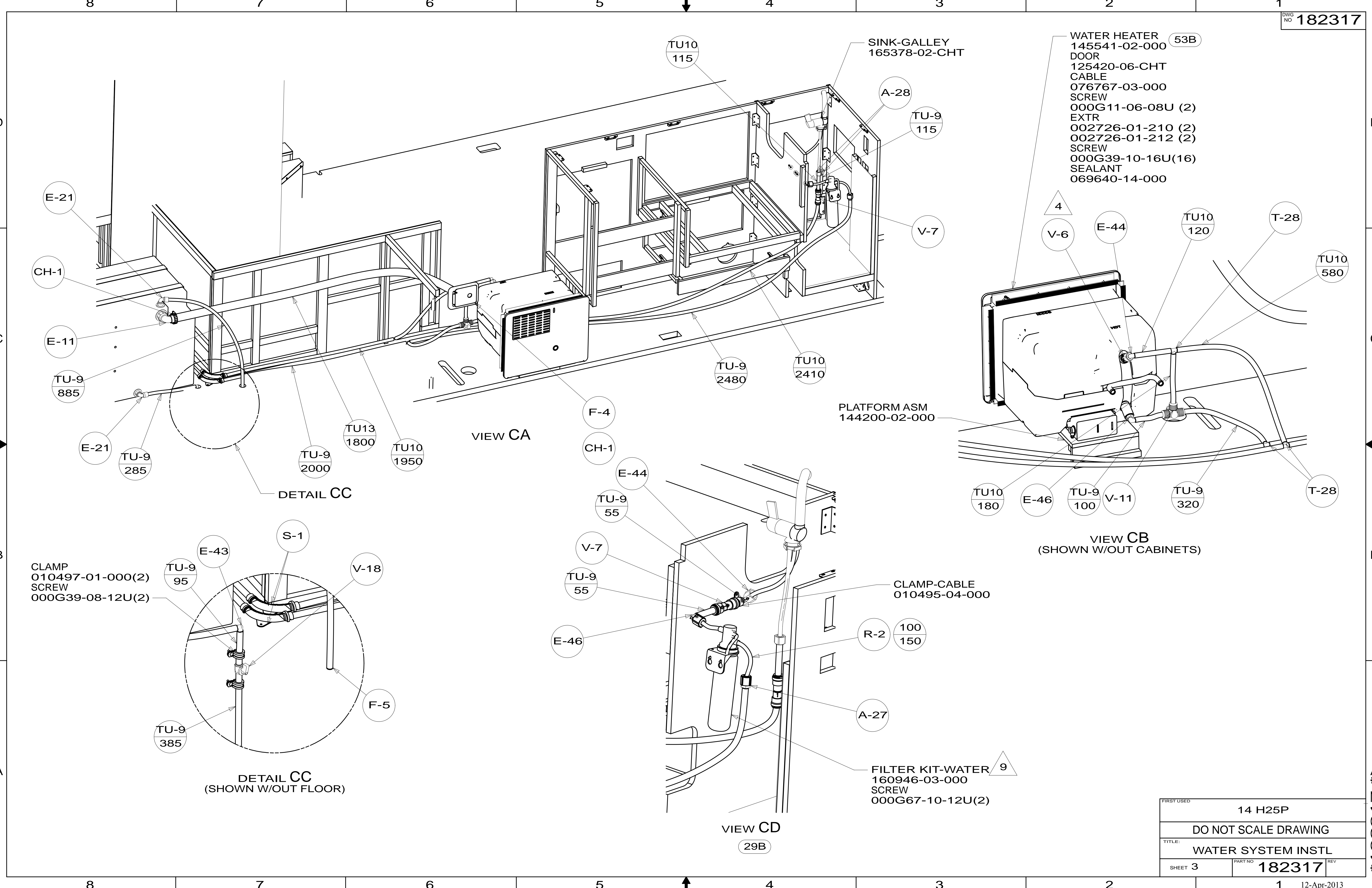
DETAIL BB
(SHOWN W/OUT CABINETS)



SECTION BD-BD

FIRST USED	14 H25P	
TITLE:	DO NOT SCALE DRAWING	
TITLE:	WATER SYSTEM INSTL	
SHEET 2	PART NO 182317	REV
		12-Apr-2013

*182317 *A



- WATER HEATER 145541-02-000 (53B)
- DOOR 125420-06-CHT
- CABLE 076767-03-000
- SCREW 000G11-06-08U (2)
- EXTR 002726-01-210 (2)
- SCREW 002726-01-212 (2)
- SCREW 000G39-10-16U(16)
- SEALANT 069640-14-000

- E-21
- CH-1
- E-11
- TU-9 885
- E-21
- TU-9 285
- TU-9 2000
- TU-13 1800
- TU-10 1950

VIEW CA

PLATFORM ASM 144200-02-000

VIEW CB (SHOWN W/OUT CABINETS)

DETAIL CC (SHOWN W/OUT FLOOR)

VIEW CD (29B)

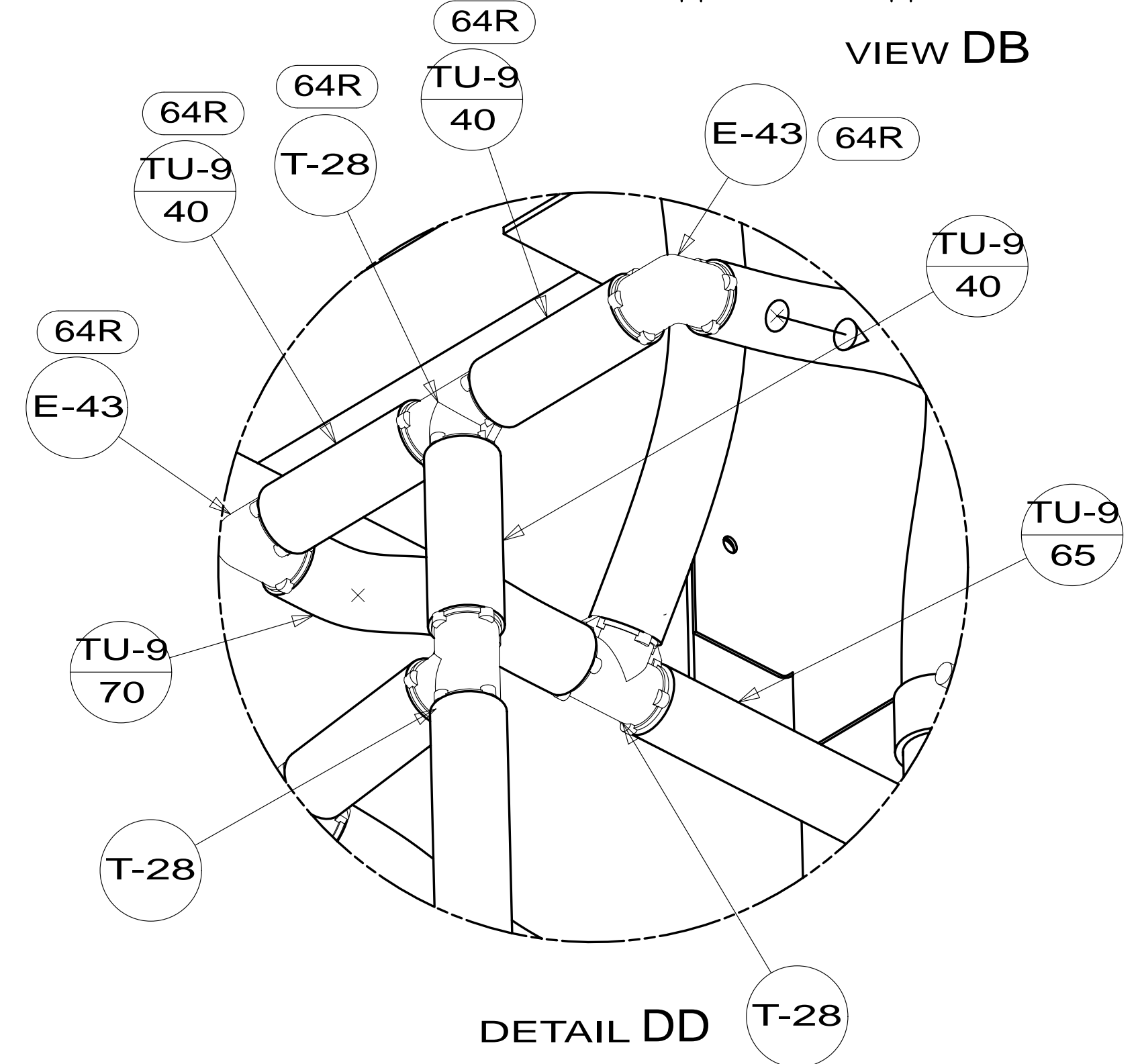
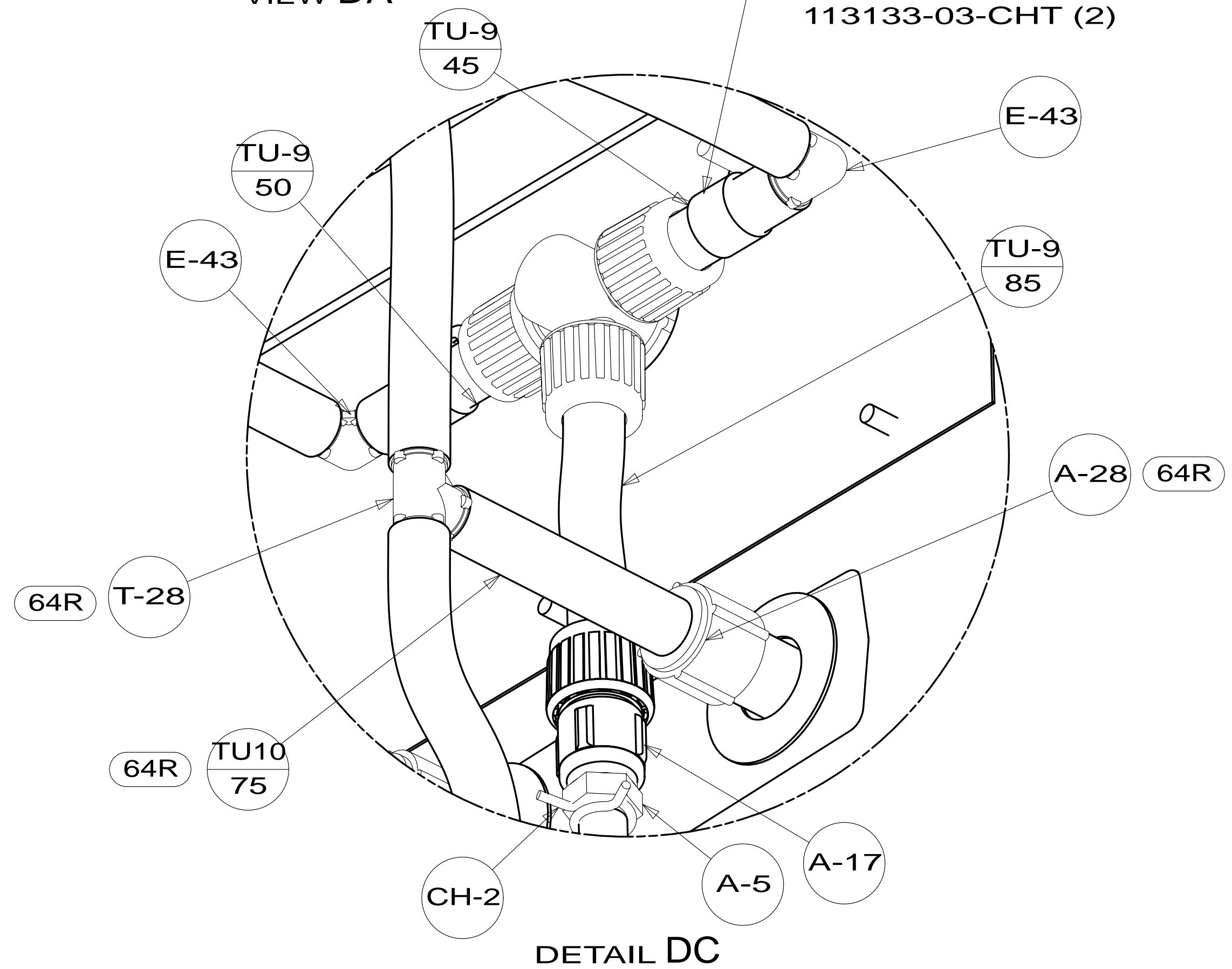
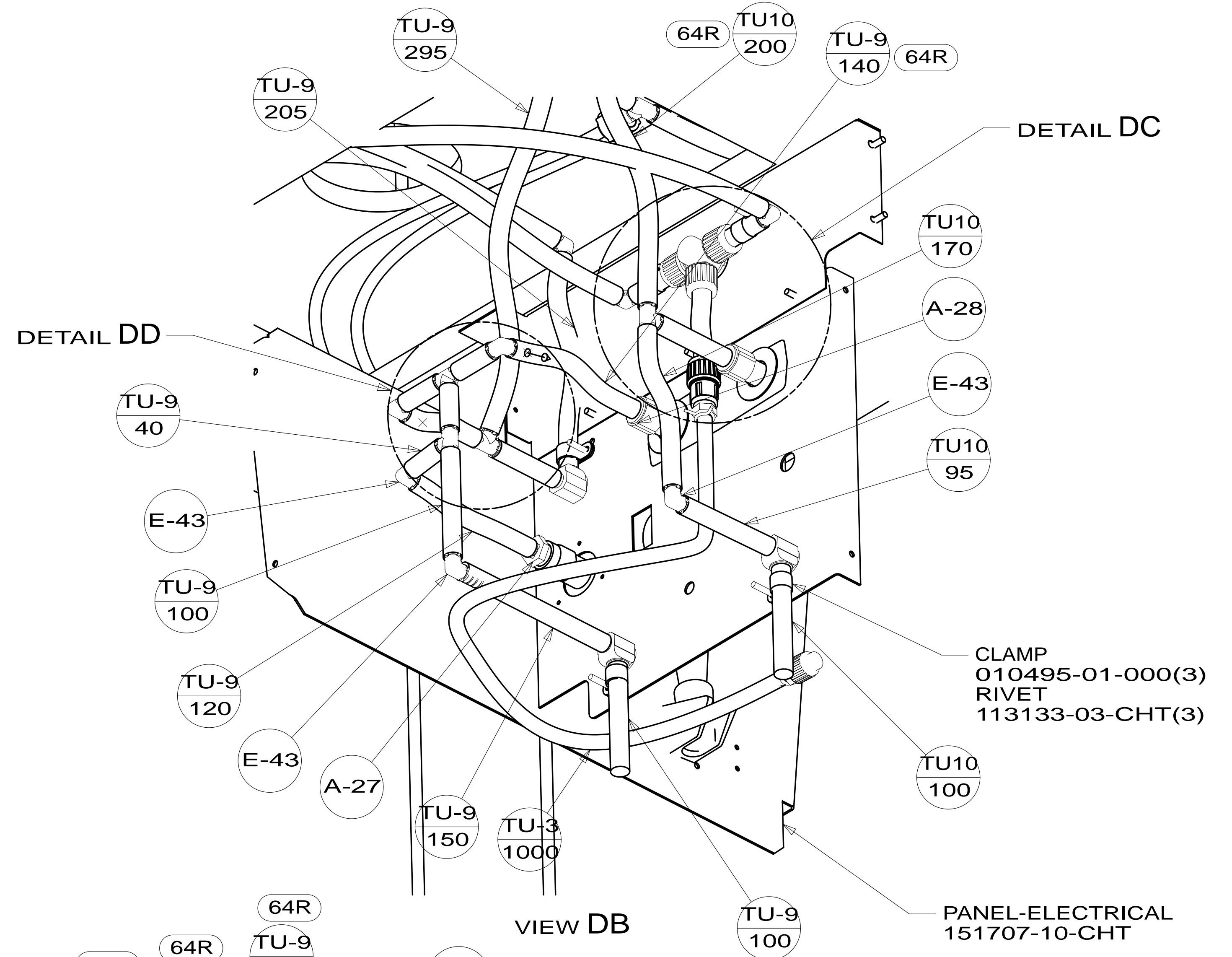
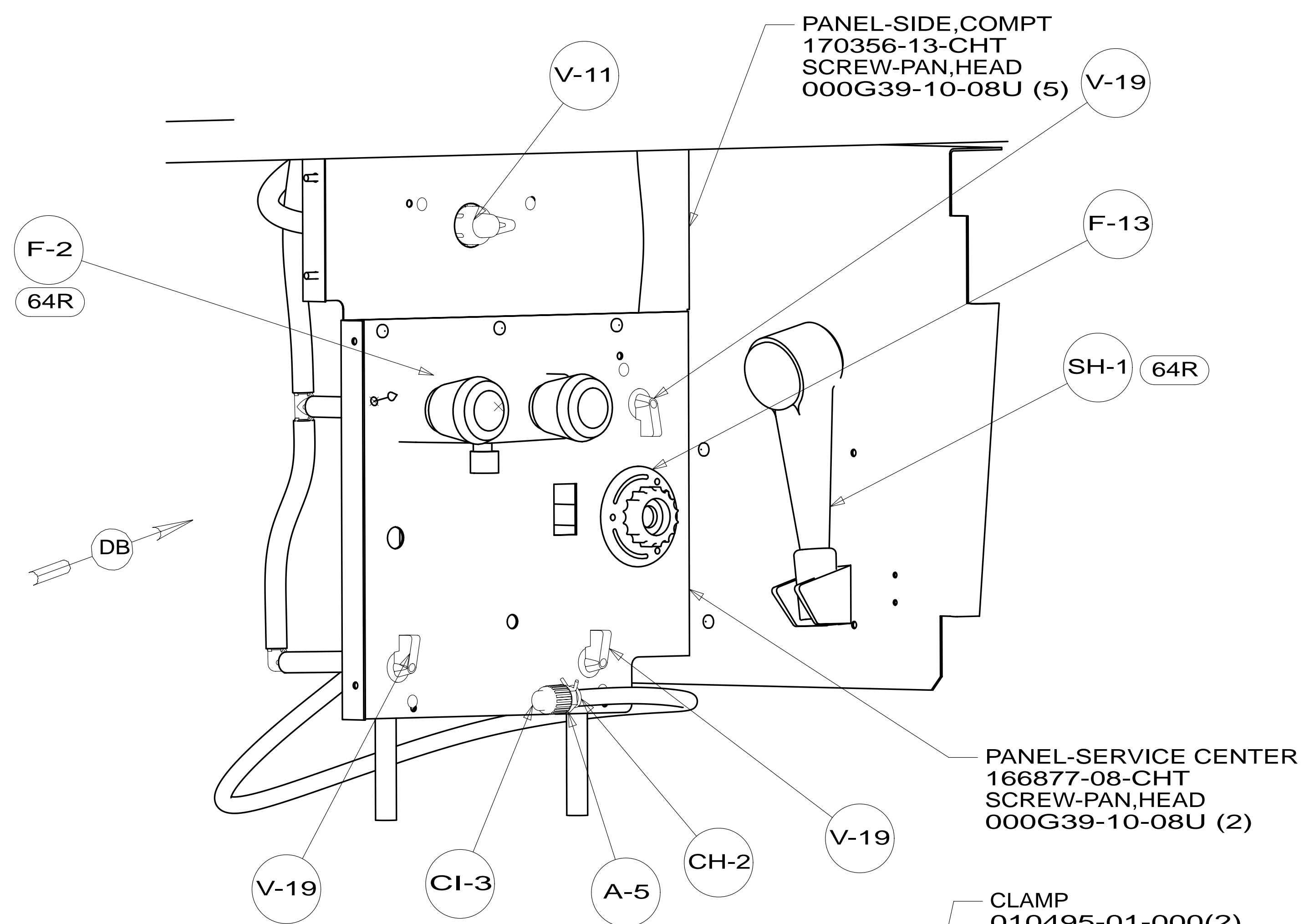
- CLAMP 010497-01-000(2)
- SCREW 000G39-08-12U(2)

CLAMP-CABLE 010495-04-000

FILTER KIT-WATER 160946-03-000 (9)
SCREW 000G67-10-12U(2)

FIRST USED	14 H25P	
TITLE:	DO NOT SCALE DRAWING	
	WATER SYSTEM INSTL	
SHEET 3	PART NO 182317	REV
		12-Apr-2013

*182317 *A



FIRST USED	14 H25P	
TITLE:	DO NOT SCALE DRAWING	
	WATER SYSTEM INSTL	
SHEET 4	PART NO 182317	REV
		12-Apr-2013

*182317 *A